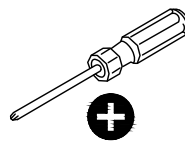
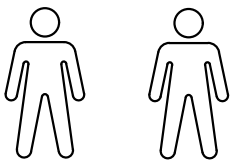
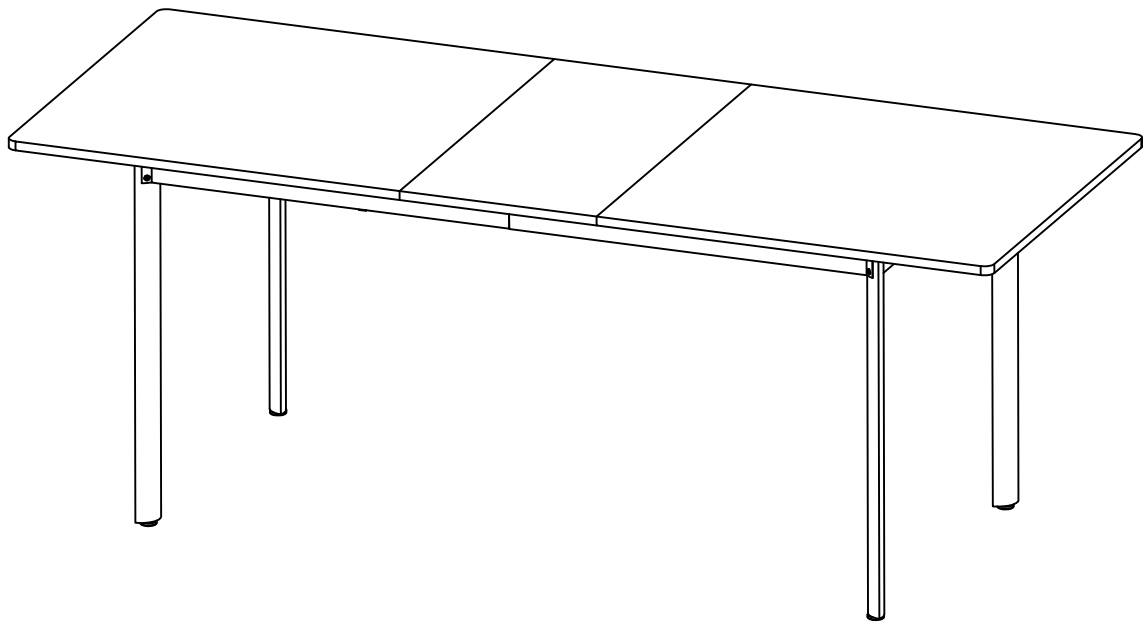
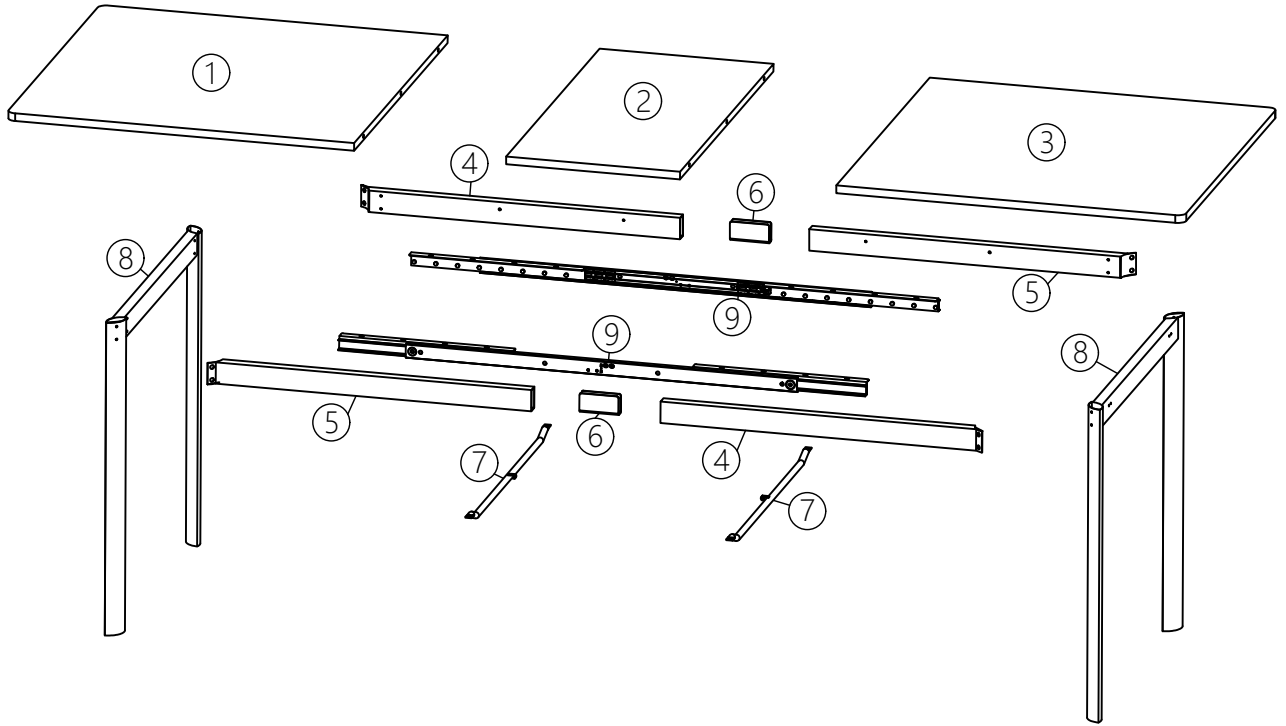
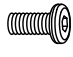
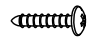




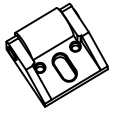
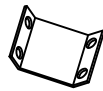
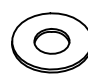


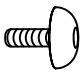


ASSEMBLY INSTRUCTION

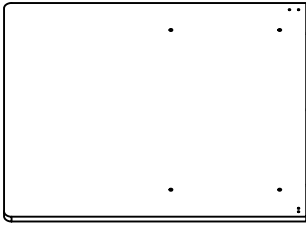


Tools required (not included)

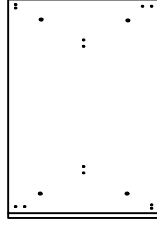


| | | | | | | | | | | | |
|--|--------|--|--------|--|-----|--|-----|---|-----|--|-----|
| (A) | x 44+1 | (B) | x 20+1 | (C) | x 8 | (D) | x 8 | (E) | x 6 | (F) | x 4 |
|  M6x12 | |  M4x12 | |  M4x14 | |  M6x12 | |  | |  | |
| (G) | x 4 | (H) | x 4 | (I) | x 8 | (J) | x 4 | (K) | x 1 | (L) | x 4 |
|  | |  | |  Ø16x1.5 | |  M6x12 | |  M4 | |  M6x12 | |

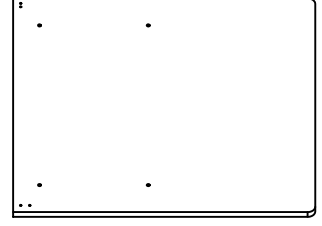
①x1pc



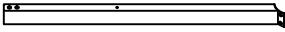
②x1pc



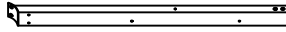
③x1pc



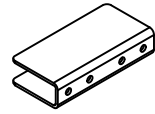
④x2pcs



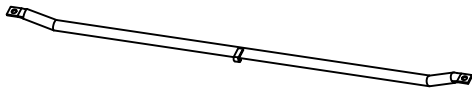
⑤x2pcs



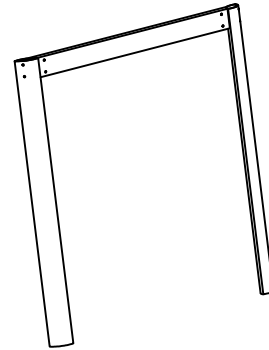
⑥x2pcs



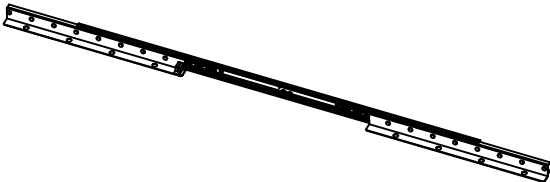
⑦x2pcs



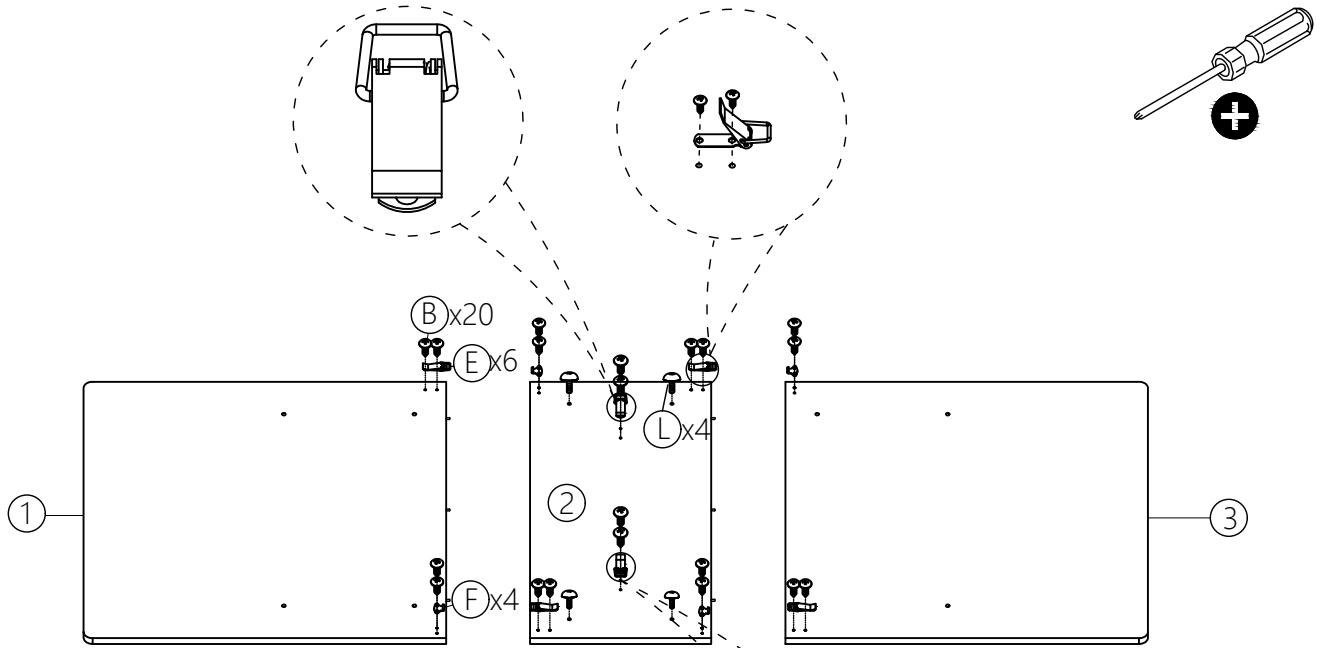
⑧x2pcs

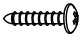


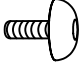


⑨x2pcs

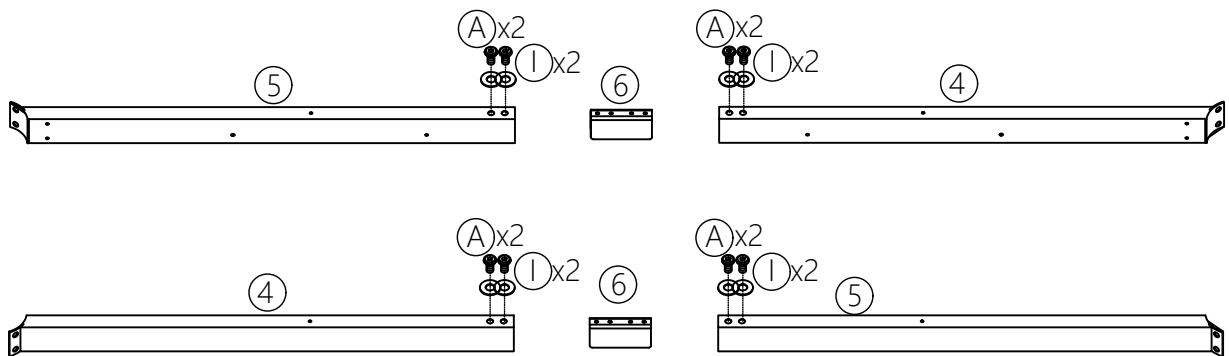





1



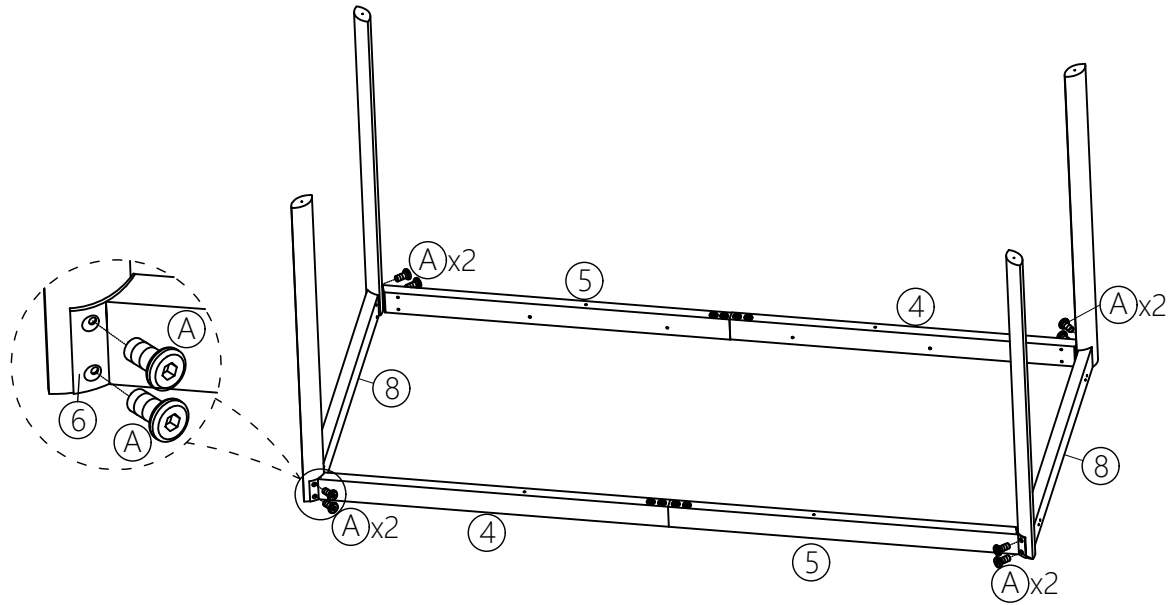
| (B) | x 20 | (E) | x 6 | (F) | x 4 | (L) | x 4 |
|--|------|--|-----|--|-----|--|-----|
|  | |  | |  | |  | |
| M4x12 | | | | | | M6x12 | |



2



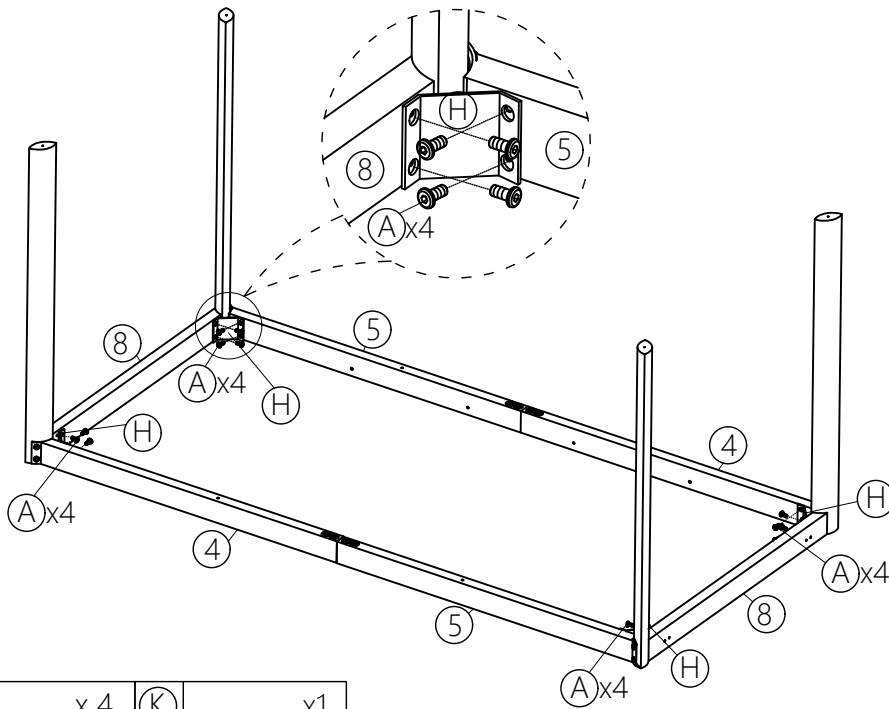
| (A) | x 8 | (I) | x 8 | (K) | x 1 |
|---|-----|---|-----|---|-----|
|  | |  | |  | |
| M6x12 | | ∅16x1.5 | | M4 | |

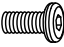
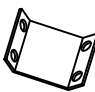

3



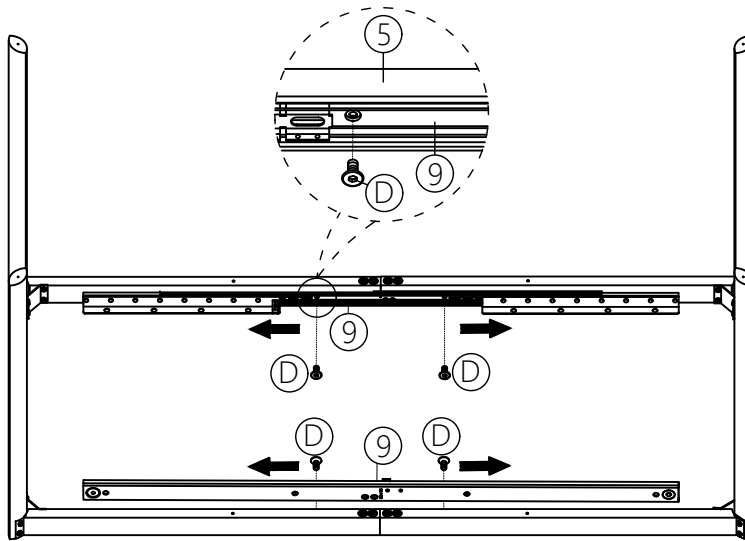
| | | | |
|--|-----|--|-----|
| (A) | x 8 | (K) | x 1 |
|  | |  | |
| M6x12 | | M4 | |



4



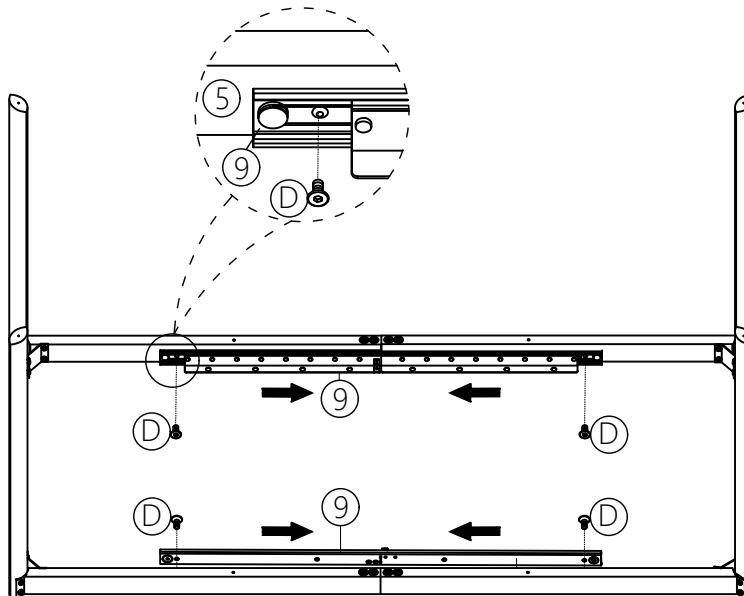
| | | | | | |
|---|------|---|-----|---|-----|
| (A) | x 16 | (H) | x 4 | (K) | x 1 |
|  | |  | |  | |
| M6x12 | | | | M4 | |



5



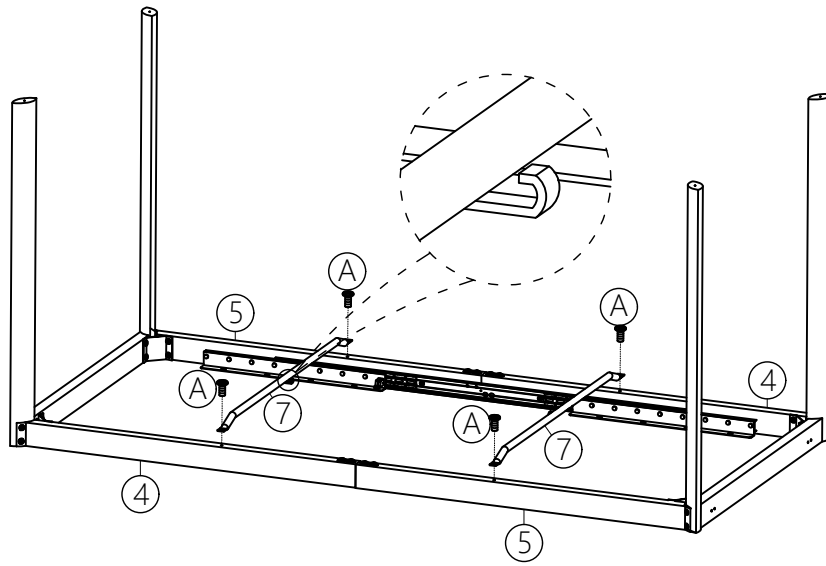
| | | | |
|--|-----|--|-----|
| (D) | x 4 | (K) | x 1 |
|  | |  | |
| M6x12 | | M4 | |



6



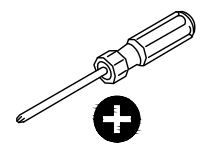
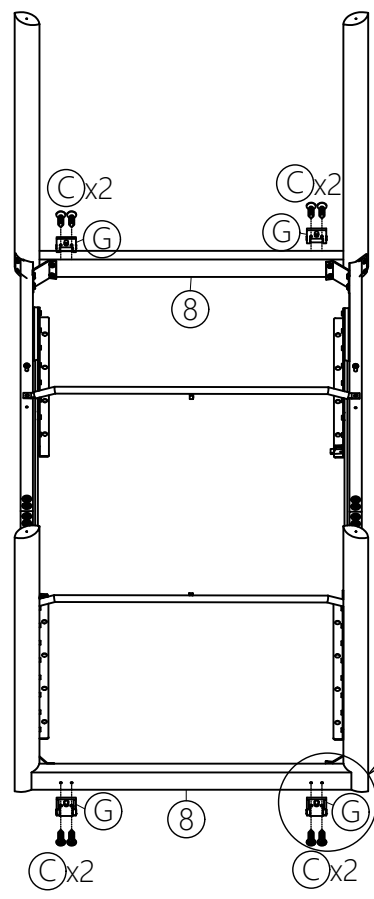
| | | | |
|---|-----|---|-----|
| (D) | x 4 | (K) | x 1 |
|  | |  | |
| M6x12 | | M4 | |

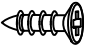
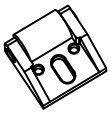
7



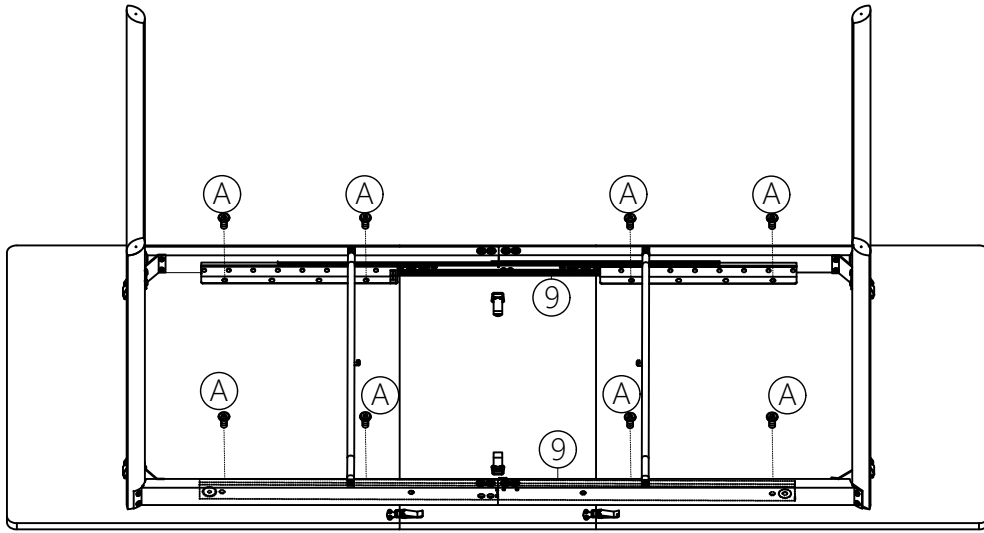
| | | | |
|--|-----|--|-----|
| (A) | x 4 | (K) | x 1 |
|  | |  | |
| M6x12 | | M4 | |

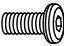

8



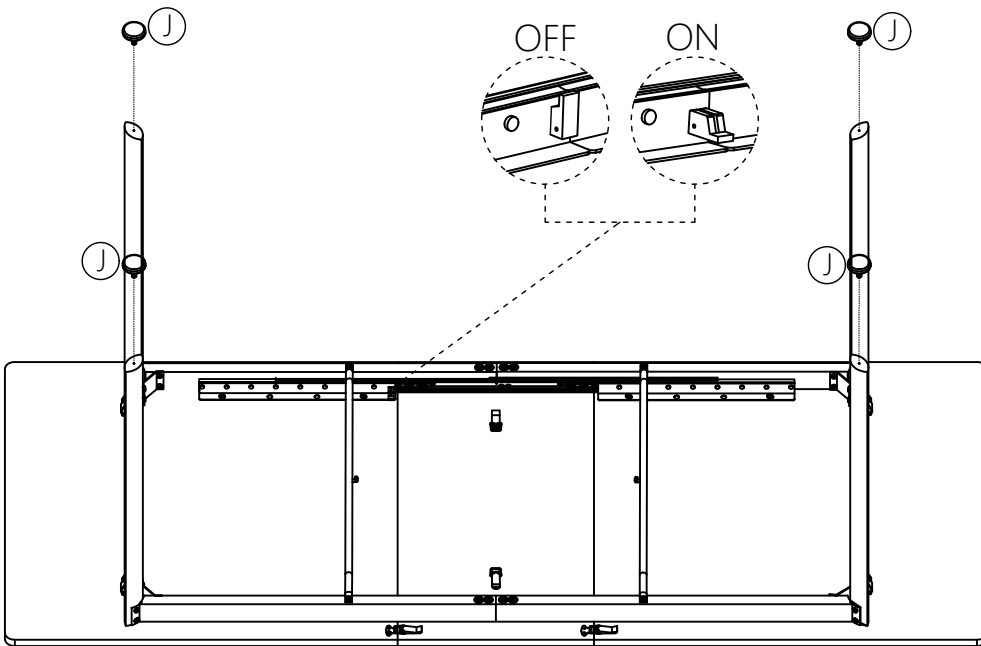
| | | | |
|---|-----|---|-----|
| (C) | x 8 | (G) | x 4 |
|  | |  | |
| M4x14 | | | |


9



| | | | |
|--|-----|--|-----|
| (A) | x 8 | (K) | x 1 |
|  | |  | |
| M6x12 | | M4 | |

10



| | |
|---|-----|
| (J) | x 4 |
|  | |