

Instruction manual

3 CHEST OF DRAWERS



CONTENTS

Safety and care advice	1
Components	2
Assembly instructions	5
Copyright	14

⚠ SAFETY AND CARE ADVICE ⚠

PLEASE READ THESE INSTRUCTIONS CAREFULLY AND KEEP FOR FUTURE REFERENCE

Warning: Please lift with care (30.5kg).

·Check you have all the components and tools listed on pages 2 and 3.

·Remove all fittings from the plastic bags and separate them into their groups.

·Keep children and animals away from the work area, small parts could choke if swallowed.

·Make sure you have enough space to layout the parts before starting.

·Do not stand or put weight on the product, this could cause damage.

·Assemble the item as close to its final position (in the same room) as possible.

·Assemble on a soft level surface to avoid damaging the unit or your floor (use opened out unit carton).



·We do not recommend the use of power drill/drivers for inserting screws, as this could damage the unit. Only use hand screwdrivers.

·Safety note: If there is any chance of this unit being pulled over by children etc. it is recommended that the unit is secured to a wall using suitable fixings .

·Dispose of all packaging carefully and responsibly.

CARE AND MAINTENANCE

·Only clean using a damp cloth and mild detergent, do not use bleach or abrasive cleaners.

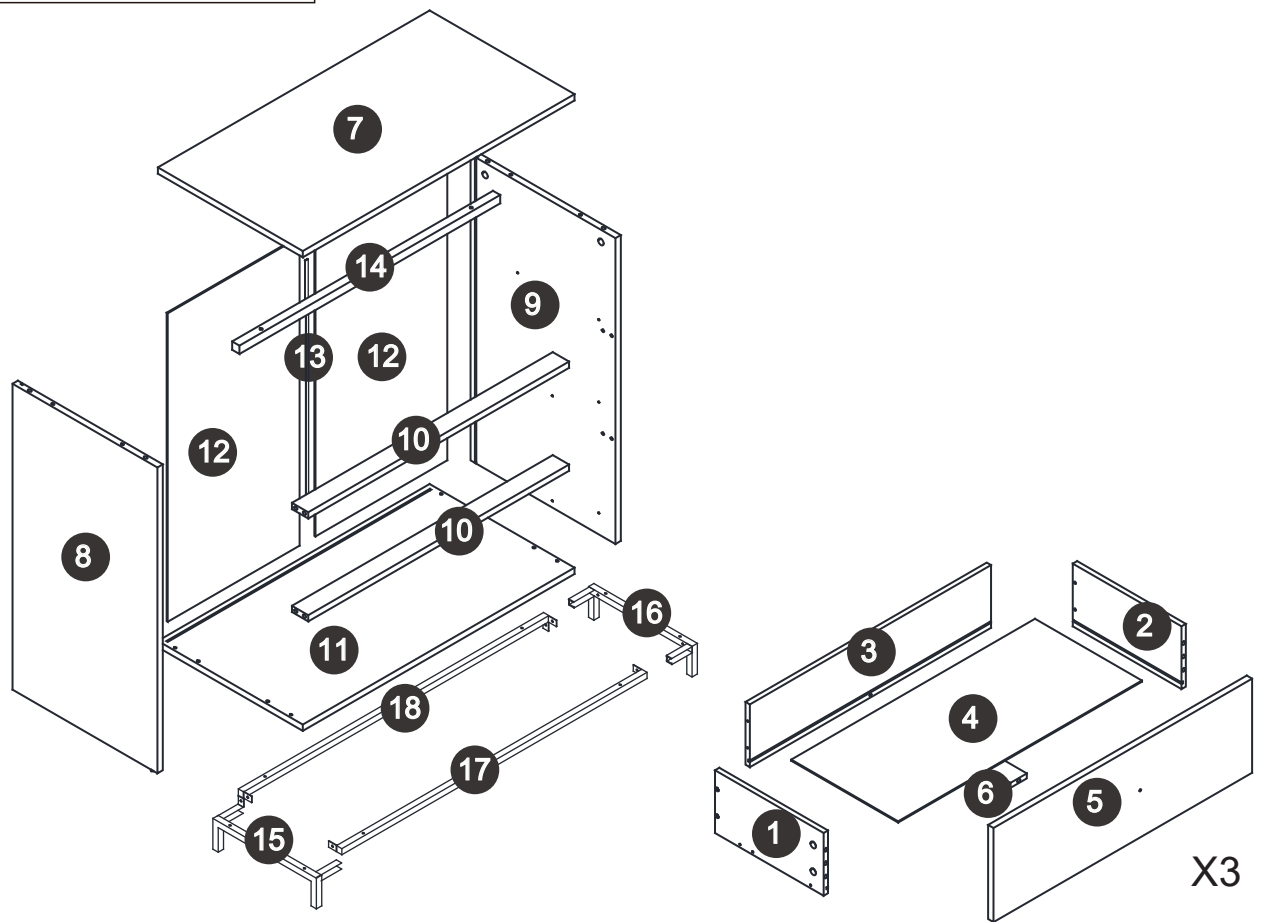
·From time to time check that there are no loose screws on this unit.

·This product should not be discarded with household waste. Take to your local authority waste disposal center.

Note : If required the next page can be cut out and used as reference throughout the assembly. Keep this page with these instructions for future reference

COMPONENTS

Ensure the following components are in the box before proceeding with assembly:



PANEL LIST

1	Drawer Left Side Panel	x3	11	Bottom Panel	x1
2	Drawer Right Side Panel	x3	12	Back Board	x2
3	Drawer Back Panel	x3	13	Connection Stripe	x1
4	Drawer Base Panel	x3	14	Support Bar under Top Panel	x1
5	Drawer Front Panel	x3	15	Left Side Metal Tube	x1
6	Drawer Bottom Support Panel	x3	16	Right Side Metal Tube	x1
7	Top Panel	x1	17	Front Metal Tube	x1
8	Left Side Panel	x1	18	Back Metal Tube	x1
9	Right Side Panel	x1			
10	Support Panel	x2			

COMPONENTS — FITTINGS

Please check you have all the fittings listed below:

A



Peg M6*35mm x23

B



Lock M15*10mm x23

C



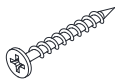
Dowel M6*30mm x18

D



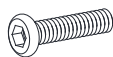
Screw M3*12mm x36

E



Screw M4*35mm x15

F



Bolt M6*27mm x8

G



Rear Panel Hook x8

H



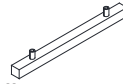
Screw M3*16mm x8

I



Bolt M4*18mm x6

J



Handle x3

K



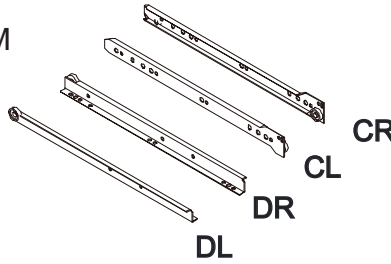
Allen Key x1

L



Bolt M6*10mm x14

M



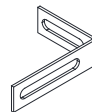
Drawer Runner x3

N



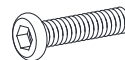
Screw x1

O



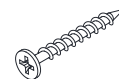
L shape metal plate x1

P



Bolt M6*35mm x2

Q

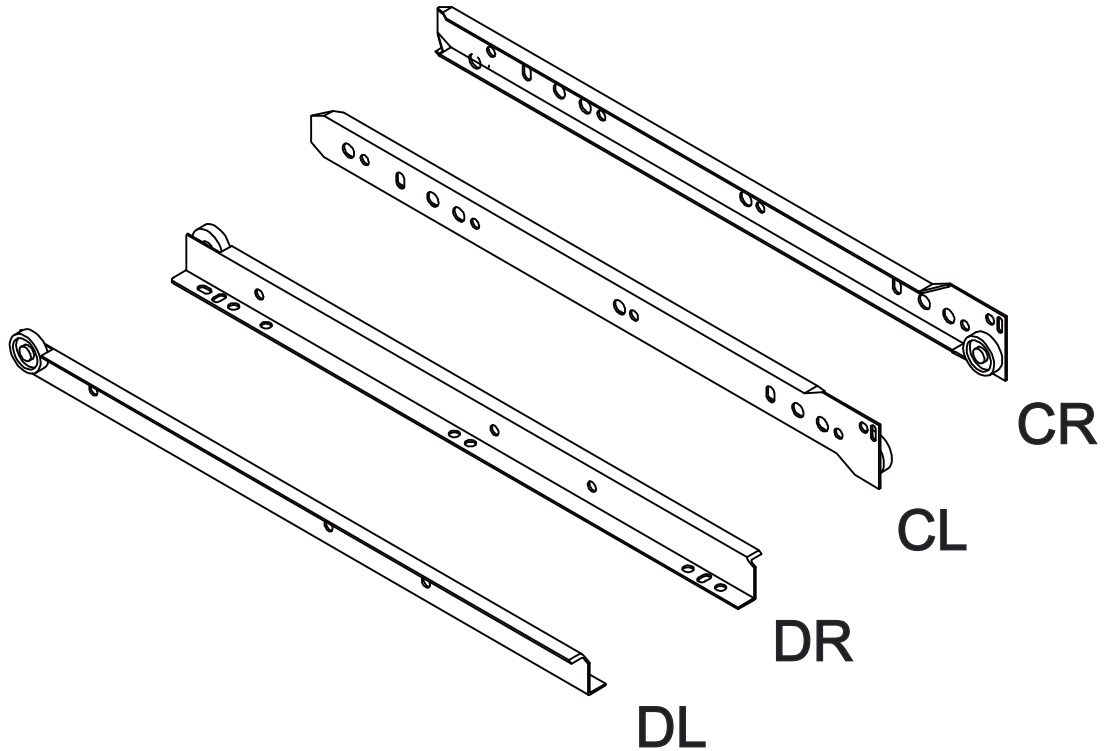


Screw M4*40mm x4



DRAWER RUNNER INSTRUCTION

⚠ IMPORTANT - Please read carefully.
1 pair of drawer runner includes 4 pieces.

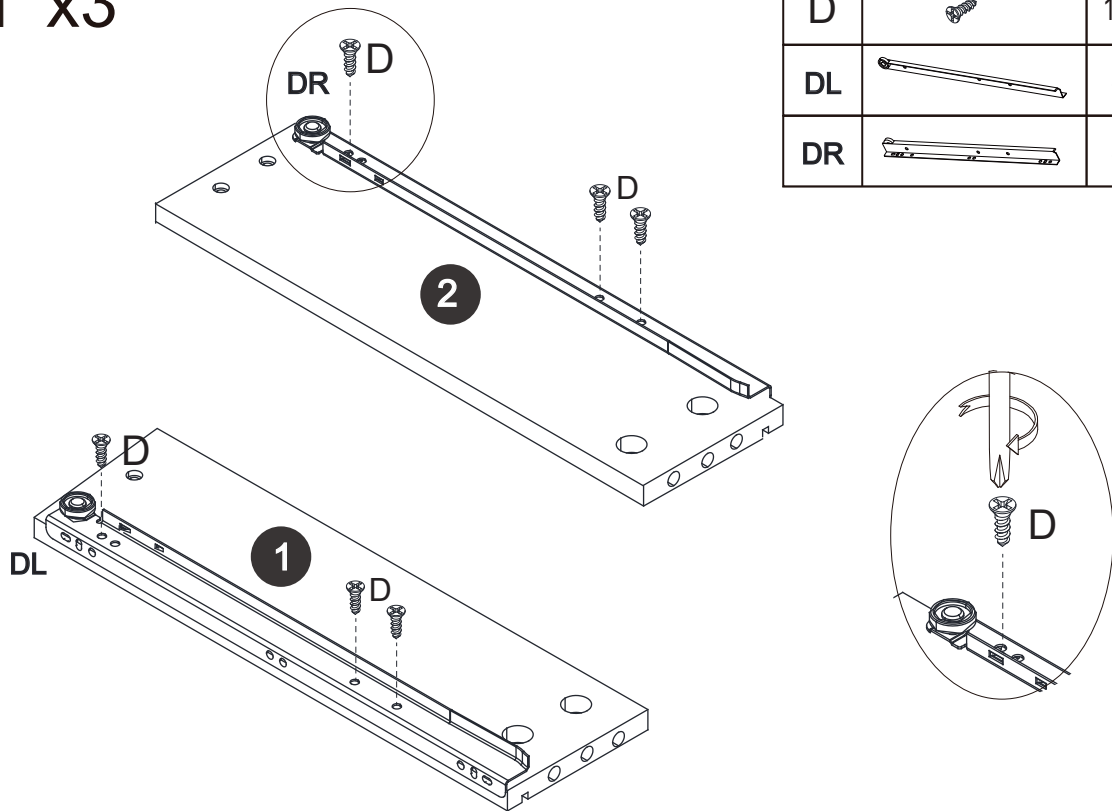


Fittings (not to scale)

No.	Description	Qty	
CR	Outer Drawer Runner - Right	3	
CL	Outer Drawer Runner - Left	3	
DR	Inner Drawer Runner - Right	3	
DL	Inner Drawer Runner - Left	3	

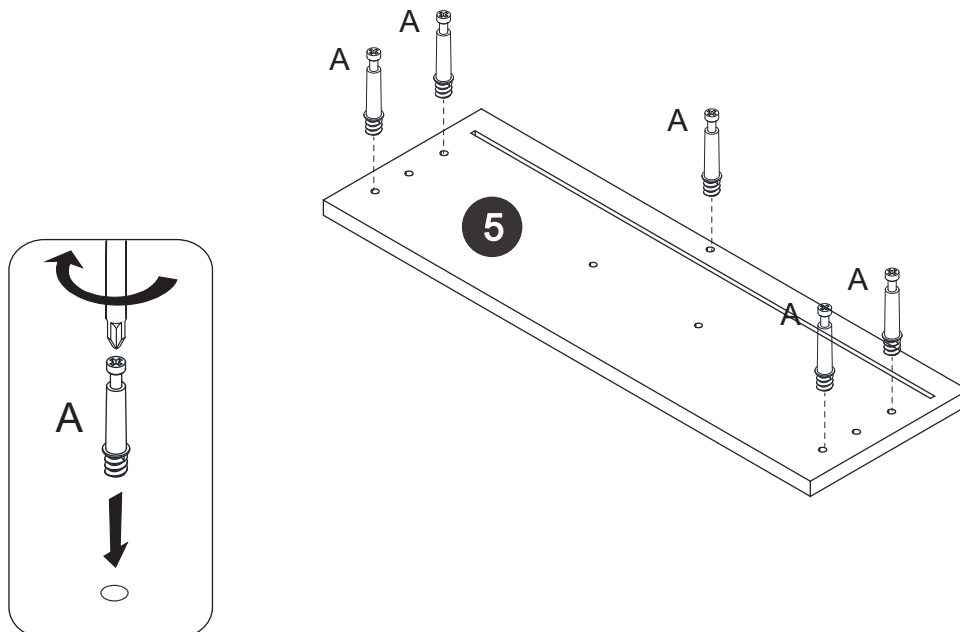
ASSEMBLY INSTRUCTIONS

Step 1 **x3**



D		18
DL		3
DR		3

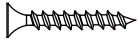
Step 2 **x3**

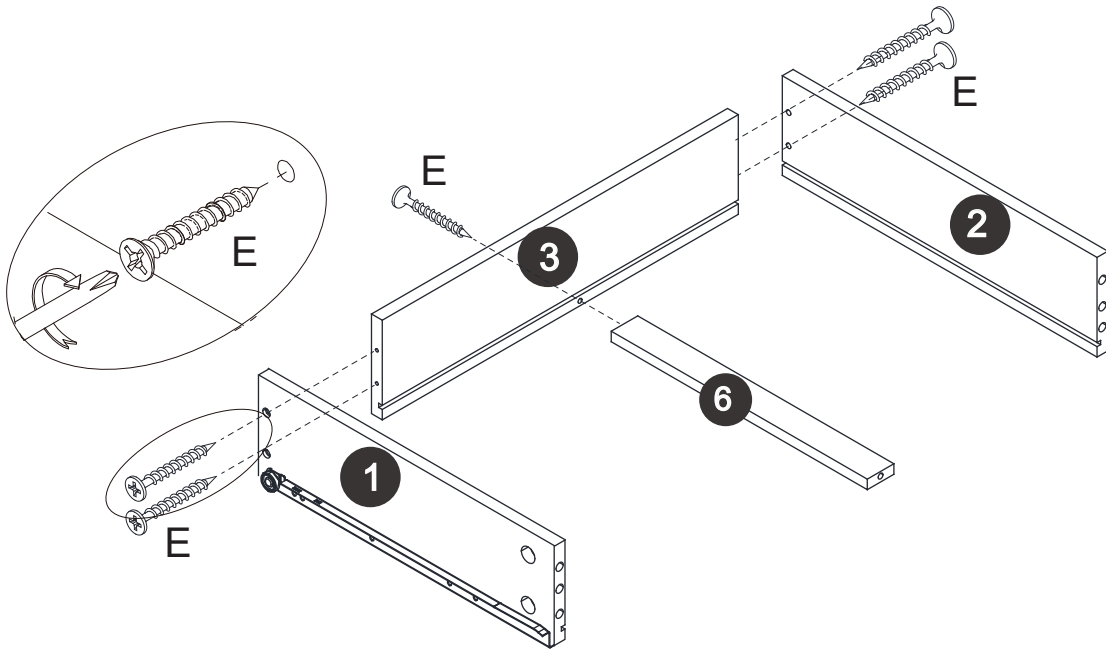


A		15
---	--	----





ASSEMBLY INSTRUCTIONS

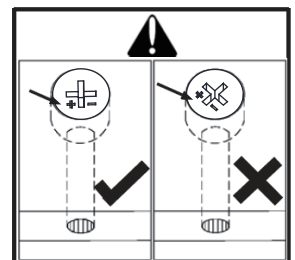
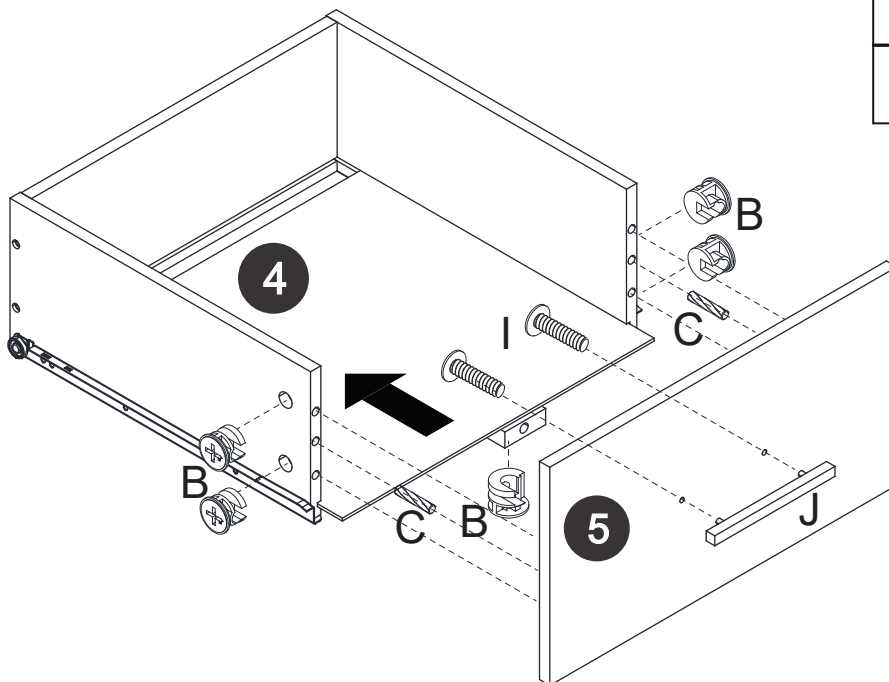
Step 3 **x3**

E		15
---	---	----







Step 4 **x3**

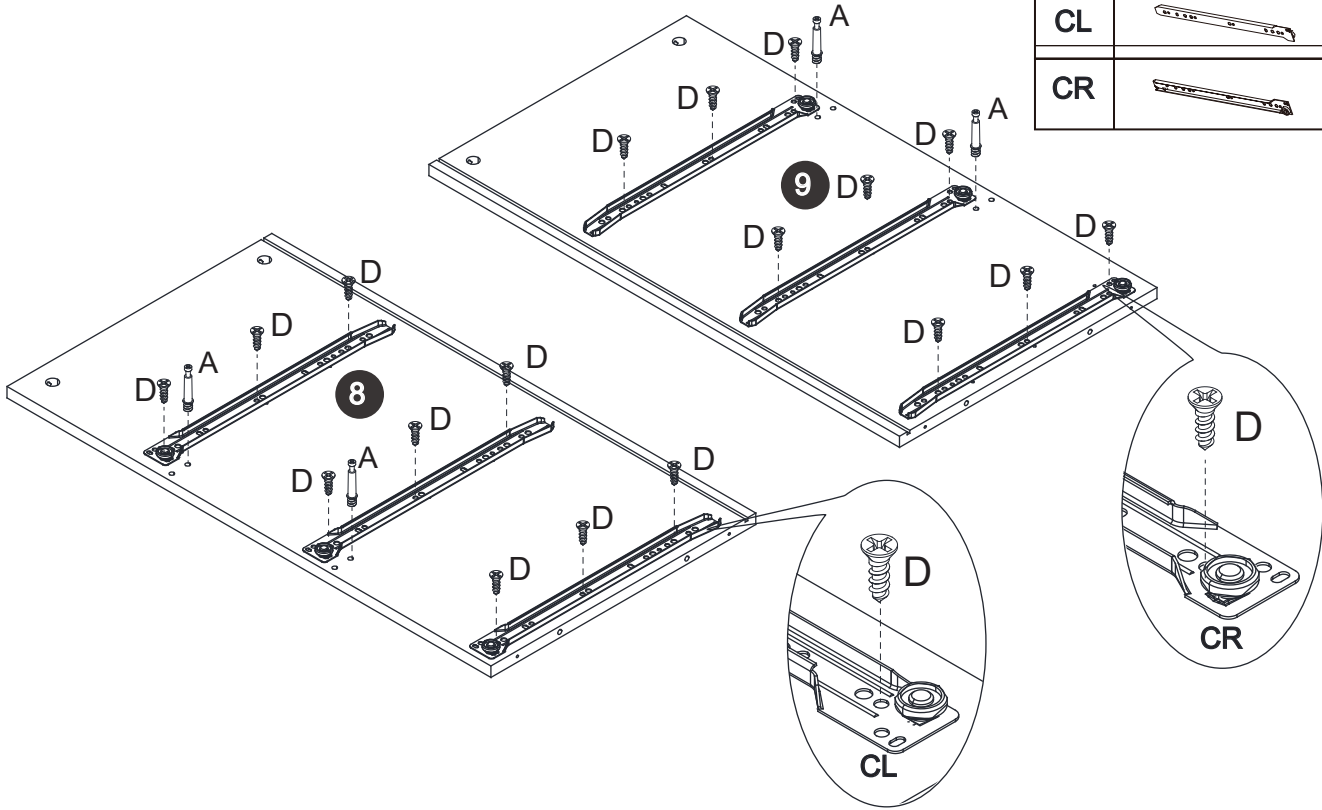
B		15
C		6
I		6
J		3





ASSEMBLY INSTRUCTIONS

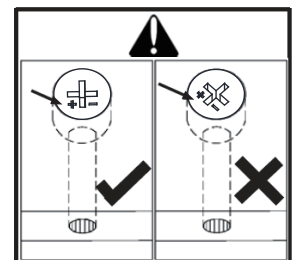
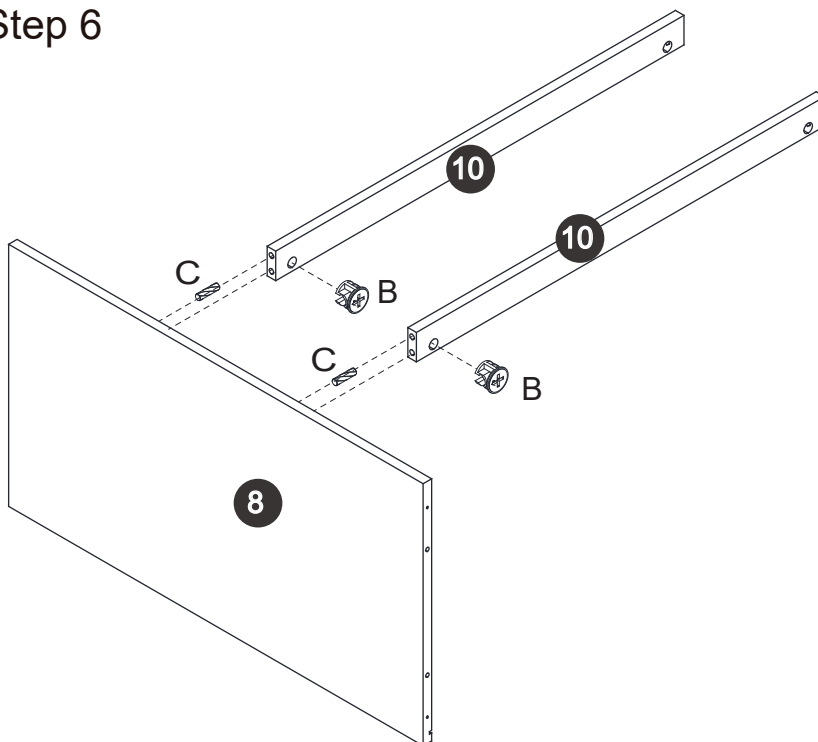
Step 5

A		4
D		18
CL		3
CR		3





Step 6

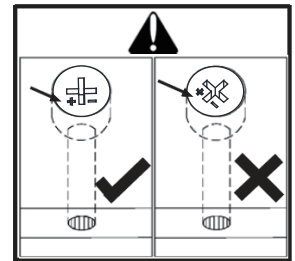
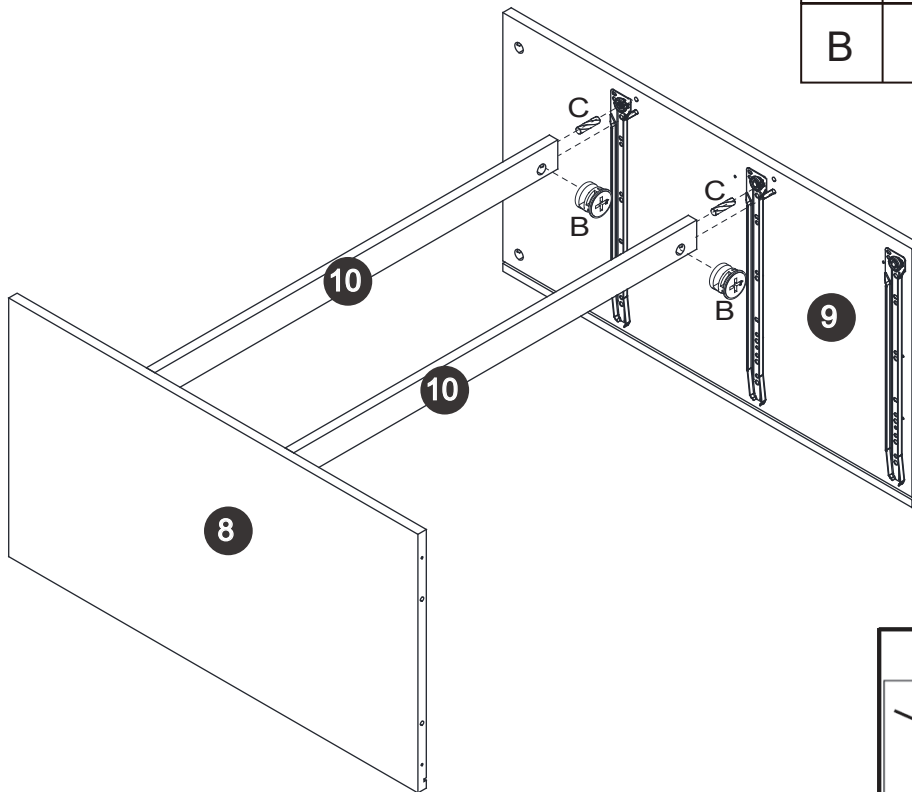
C		2
B		2



ASSEMBLY INSTRUCTIONS

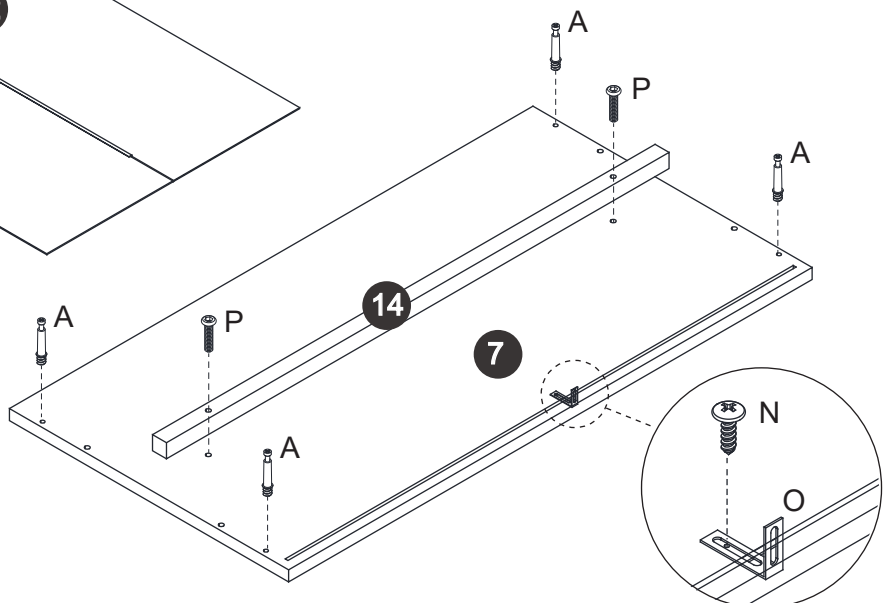
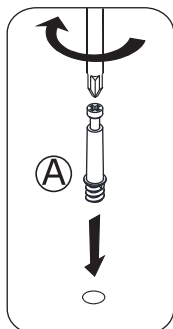
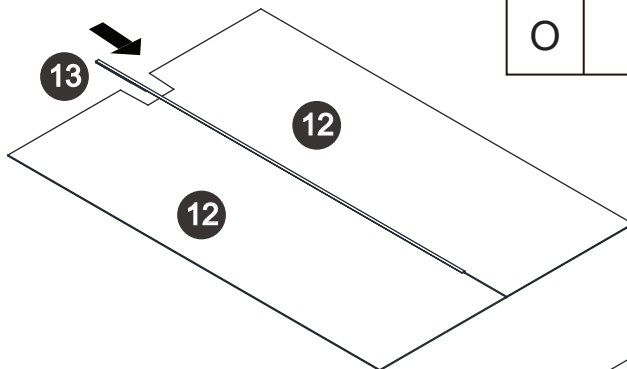
Step 7

C		2
B		2



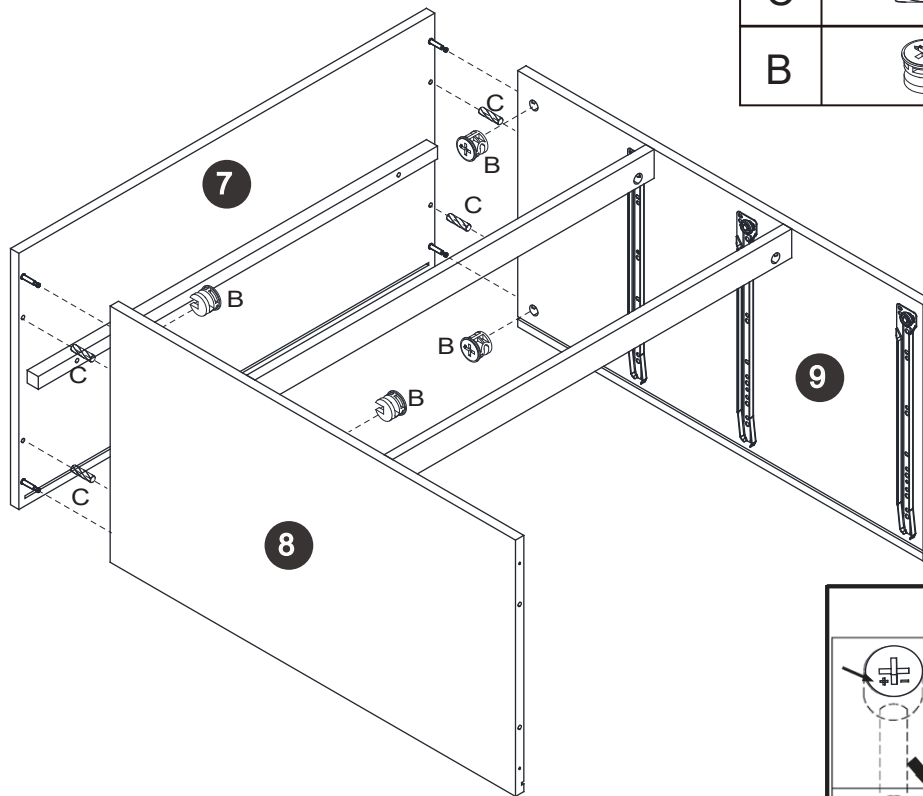
Step 8



N		1	A		4
O		1	P		2

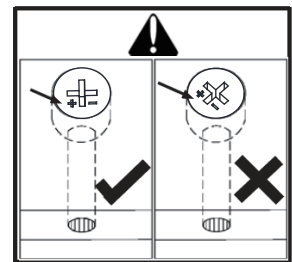


ASSEMBLY INSTRUCTIONS

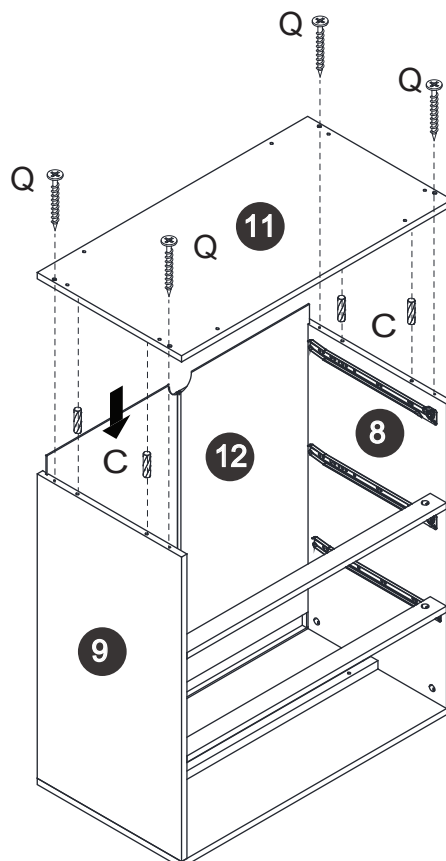
Step 9


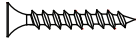


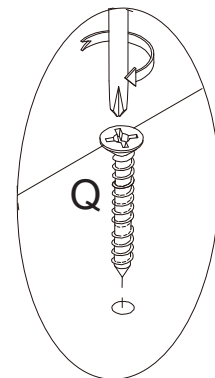
C		4
B		4



Step 10




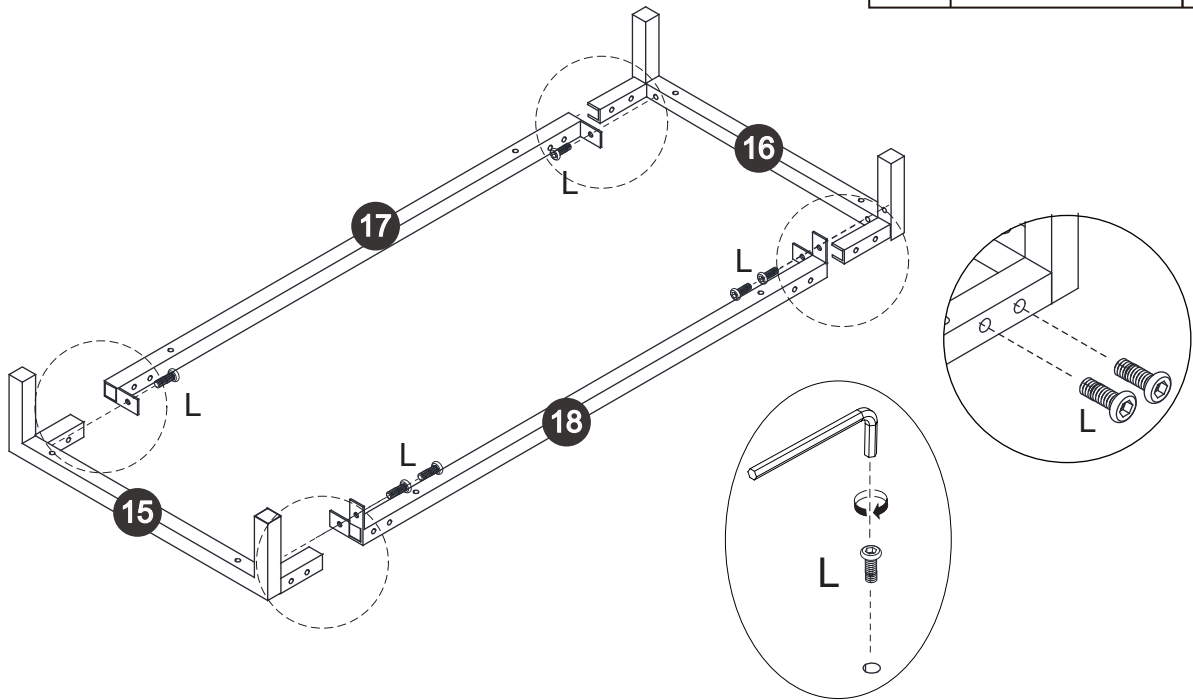
C		4
Q		4




ASSEMBLY INSTRUCTIONS

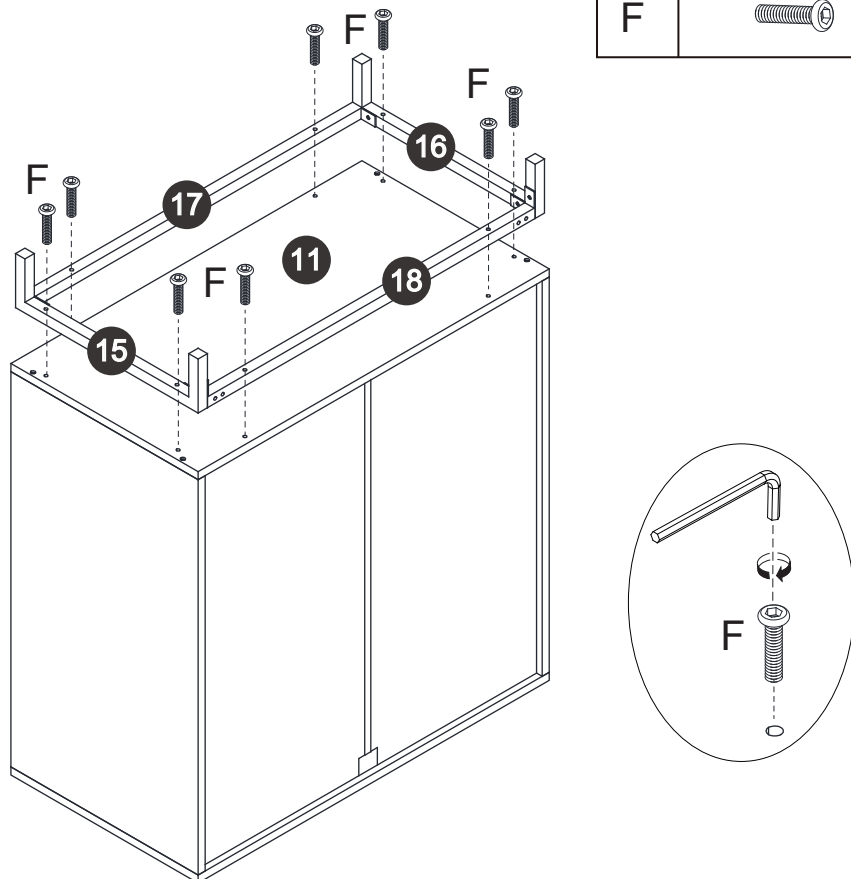
Step 11

L		14
---	---	----



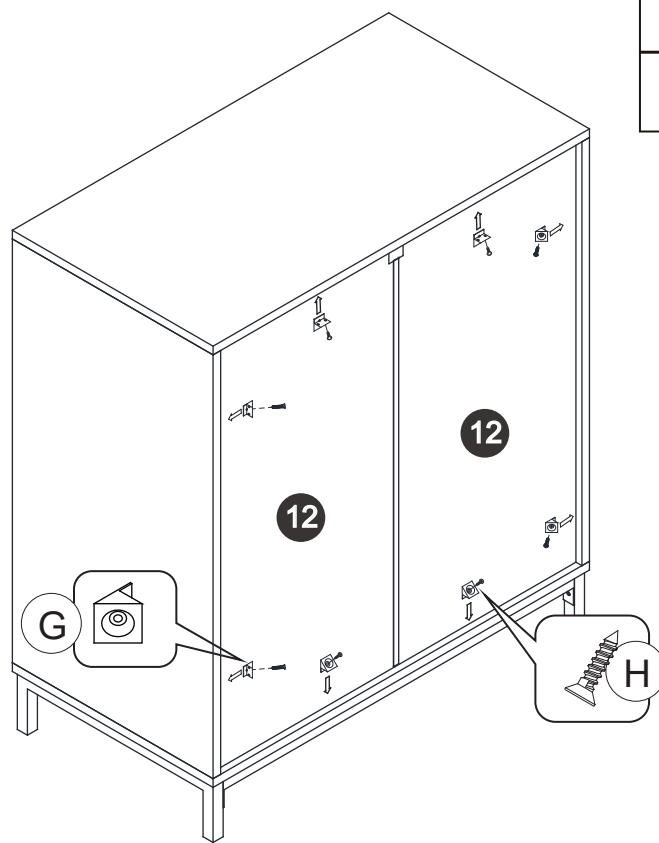
Step 12



F		8
---	---	---



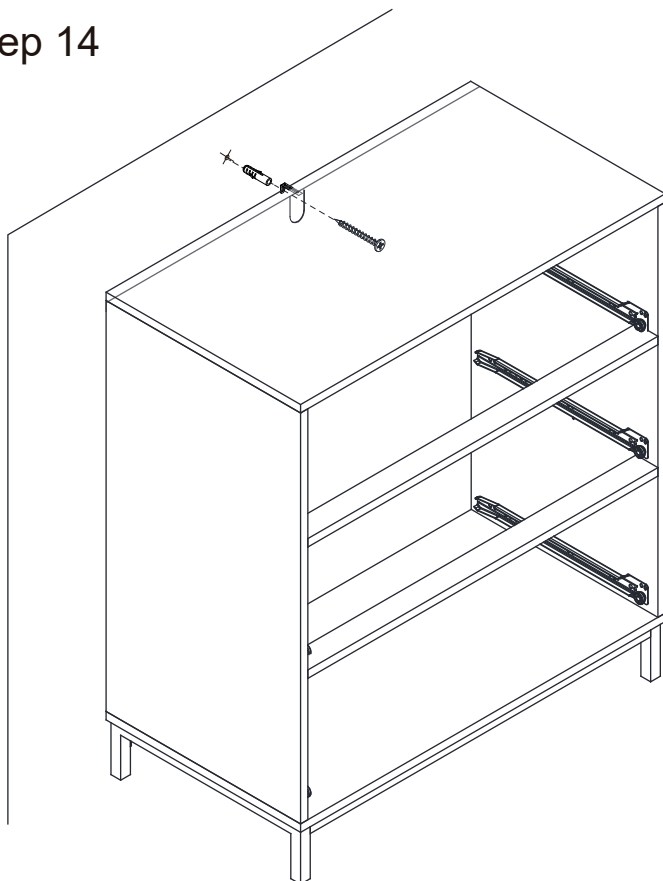
ASSEMBLY INSTRUCTIONS

Step 13



G		8
H		8

Step 14

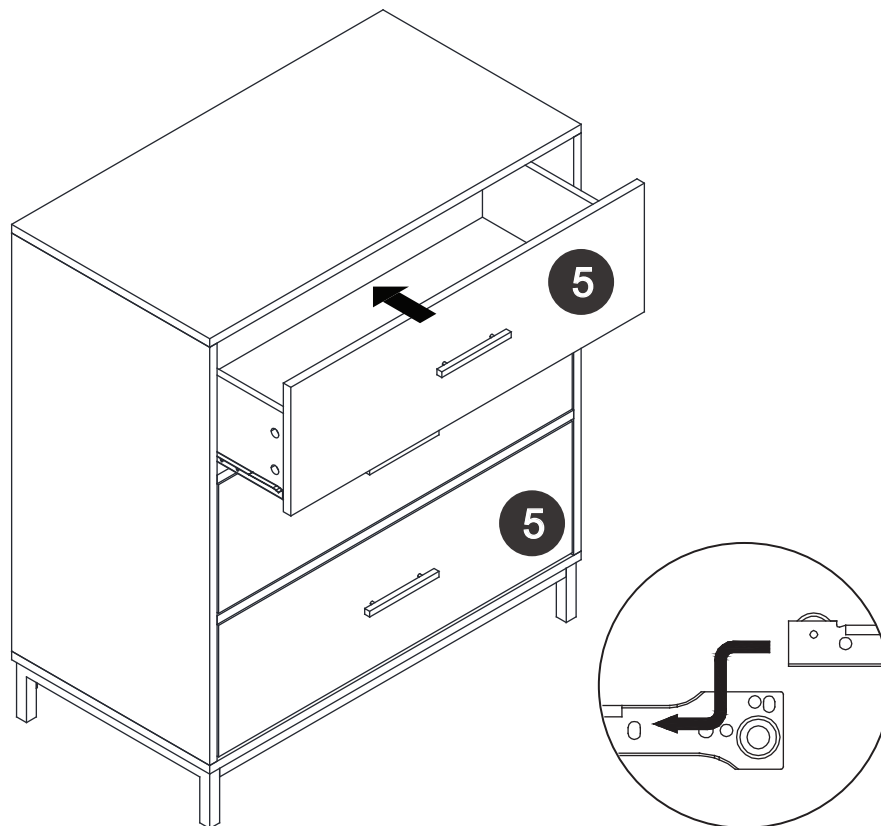


Warning !

Wall Plug and screws are not provided.
If you are in any doubt about the
correct fixings for your wall,
seek professional advice.

ASSEMBLY INSTRUCTIONS

Step 15



Step 16



A Guide to - Wall Mounting & Fixings

Important note:

If plastic wall plugs are supplied with your product:



- these are only suitable for use in masonry walls.

If you are in any doubt about the correct wall plugs for your wall, seek professional advice.

Failure of the product due to using incorrect fixings is the responsibility of the installer.



Important: When drilling into walls always check that there are no hidden wires or pipes etc.

Make sure that the screws and wall plugs being used are suitable for supporting your unit. Consult a qualified person if you are unsure.

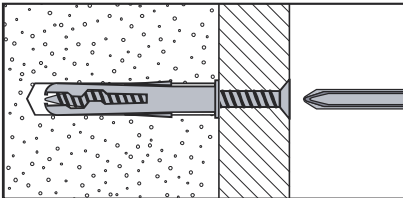
Hints:

- 1: **General rule:** ⚠ Always use a larger screw and wall plug if you are not sure.
- 2: Ensure you use the recommended drill bit to match the wall plug and hole size.
- 3: Ensure you drill the hole horizontally, do not force the drill or enlarge the hole.
- 4: Take extra care when drilling high walls, ceilings and ceramic tiles. Ensure wall plugs are inserted beyond the thickness of the ceramic tiles to avoid the tiles splitting or cracking.
- 5: Ensure wall plugs are well fitted and are a tight fit in the drilled hole.

Types of walls

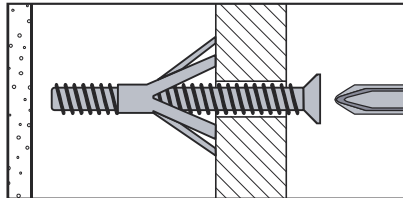
You can use one of the following types of wall plug if your walls are made of brick, breeze block, concrete, stone or wood.

No.1 "General Purpose" wall plug



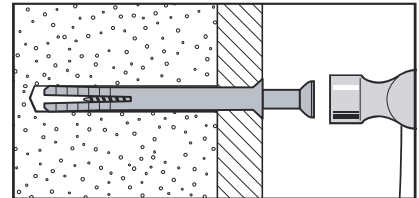
Generally aerated blocks should not be used to support heavy loads, use a specialist fitting in this case. For light loads, general purpose wall plugs can be used.

No.3 "Cavity Fixing" wall plug



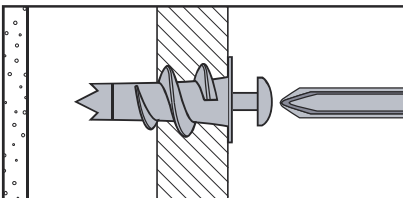
For use with plasterboard partitions or hollow wooden doors.

No.5 "Hammer Fixing" wall plug



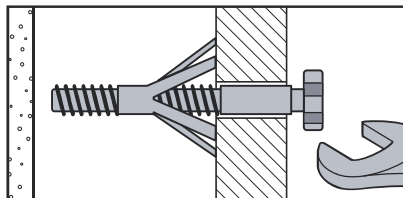
For use with walls stuck with plasterboard. The hammer fixing allows it to be fixed to the wall rather than the plasterboard. Always check the fixing is secure to the retaining wall.

No.2 "Plasterboard" wall plug



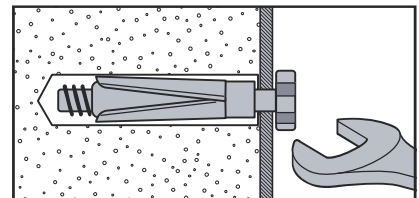
For use when attaching light loads on to plasterboard partitions.

No.4 "Cavity Fixing-Heavy Duty" wall plug



For use when fitting or supporting heavy loads such as shelving, wall cabinets and coat racks.

No.6 "Shield Anchor" wall plug Heavy loads



For use with heavier loads such as TV & HiFi speakers and satellite dishes etc.



Care & Maintenance

Safety: Always check the fitting and location to ensure your safety in and around the home.

Fitting: From time to time check the fitting to ensure the wall plugs or screws do not become loose.

IF YOU FIND A DEFECTIVE PART

We fully stock all parts and components. Any defective part can be quickly replaced. Take note of the defective part number in manual and we will arrange a quick replacement.

COPYRIGHT

All material in this instruction manual is copyrighted

Any unauthorised use may violate world wide copyright, trademark and other laws.