

**EQUATOR**<sup>®</sup>

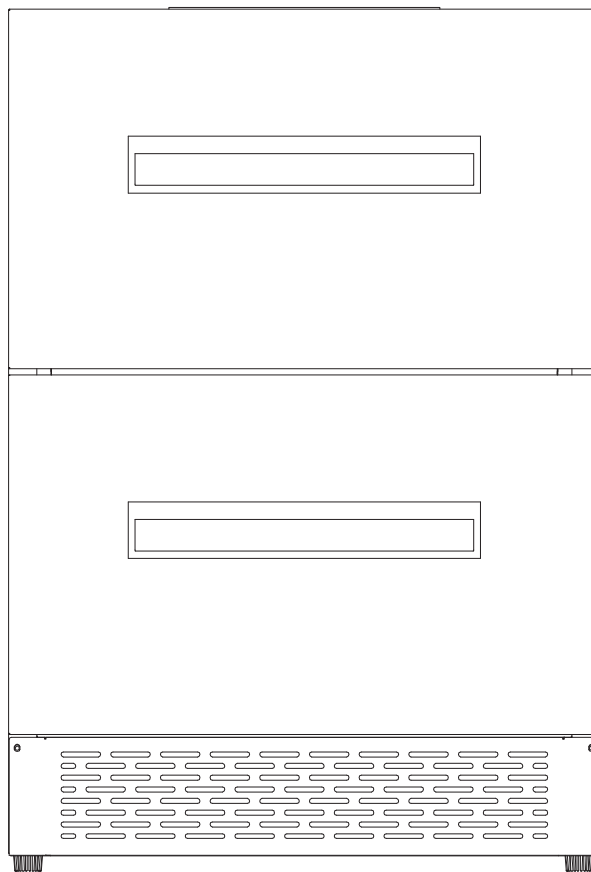
ADVANCED Appliances ≡

**CONVERTIBLE**

# **Drawer Refrigerator-Freezer**

Freestanding / Built-In

Model - DRFC 5292



## **OWNER'S MANUAL**

---

---

Please read the instructions carefully and keep for future reference. Information may be updated from time to time so please refer to the manual online for the latest version of the manual.



## Warranty

---

Equator Appliances undertakes to the consumer-owner to repair or, at our option, to replace any part of this product which proves to be defective in workmanship or materials under normal personal, family or household use, in the USA and Canada, for a period of one year from the date of original purchase. For commercial use, the product is warranted for a period of 90 days. During this period, we will provide all labor and parts necessary to correct such defect, free of charge, if the appliance has been installed and operated in accordance with the written instructions with the appliance. Ready access to the appliance, for service, is the responsibility of the consumer-owner. Service would be provided from Monday to Friday between normal business hours.

## Exclusions

---

In no event shall Equator Appliances be liable for incidental or consequential damages or for damages resulting from external causes such as abuse, misuse, incorrect voltage or acts of God. This warranty does not cover service calls which do not involve defective workmanship or materials covered by this warranty. Accordingly, diagnosis and repair costs for a service call which does not involve defective workmanship or materials will be the responsibility of the consumer-owner.

**Specifically, the following work is not covered under warranty and does not constitute warranty work:**

**Installation – e.g. Insufficient spacing around appliance**

**Maintenance – e.g. Cleaning the appliance using solvents**

**Mishandling – e.g. Breakage of drawers**

Most work is covered. The defining factor is, has the machine malfunctioned (Equator Appliances is responsible) or has the customer omitted or done something to cause the machine to malfunction (customer is responsible). Some states do not allow the exclusion or limitation of incidental or consequential damages, so the above limitation of exclusion may not apply to you.

## WARRANTY SERVICE

---

This warranty is given by:

**Equator Appliances**

10222 Georgibelle Drive, Suite 200  
Houston, TX 77043-5249

For Service:

Call 1-800-776-3538

Email: [Service@ApplianceDesk.com](mailto:Service@ApplianceDesk.com)

Web: [www.ApplianceDesk.com](http://www.ApplianceDesk.com)

Business hours: 9:00 am - 5:00 pm weekdays

You can register your Warranty by either of the following methods:

1. Scan the QR Code



1. Open Smart Phone
2. Open Camera
3. Scan QR Code
4. Click the Link

2. Online at: [ApplianceDesk.com/Warranty](http://ApplianceDesk.com/Warranty)

## GENERAL

---

Since it is the responsibility of the consumer-owner to establish the warranty period by verifying the original purchase date, Equator Appliances recommends that a receipt, delivery slip or some other appropriate payment record be kept for that purpose.

This warranty gives you specific legal rights, and you may also have other rights which vary from State to State.

*All rights reserved. Manual subject to change without notice.*

## IMPORTANT SAFETY INSTRUCTIONS

### ⚡WARNING⚡

To reduce the risk of fire, electrical shock, or injury when using your appliance, follow these basic precautions.

- Read all instructions before using the appliance.
- DANGER or WARNING: Risk of child entrapment and suffocation. Junked or abandoned appliances are still dangerous even if they will “just sit in the garage a few days”.
- Before you throw away your old appliance: Remove the drawers.
- Never allow children to operate, play with, or crawl inside the appliance.
- Never clean appliance parts with flammable fluids. The fumes can create a fire hazard or explosion.
- Do not store or use gasoline or any other flammable vapors and liquids in the vicinity of this or any other appliance. The fumes can create a fire hazard or explosion. Do not store explosive substances such as aerosol cans with a flammable propellant in this appliance.
- WARNING: Keep ventilation openings in the appliance enclosure or in the built-in structure, clear of obstructions.
- WARNING: Do not use mechanical devices or other means to accelerate the defrosting process.
- To avoid a hazard due to instability of the appliance, it must be installed according to the instructions.
- WARNING: Do not damage the refrigerant circuit.
- If the refrigerant of these appliances is R600a, flammable and explosive articles should not be put in or near the cabinet, to avoid fire or explosion.

### WARNING

- The appliance must be positioned so that the plug is accessible.
- Do not move the appliance while loaded with cans or bottles.
- Install the appliance in an area where there is no contact with the compressor.
- This appliance is not intended for use by persons (including children) with reduced physical, sensory, or mental capabilities or lack of experience and knowledge, unless they have been given supervision or instruction concerning use of the appliance by a person responsible for their safety.
- If the electrical cord is damaged, it must be replaced by a qualified technician.
- Do not use an extension cord.

## INSTALLATION INSTRUCTIONS

### ➤ Before Use

- Remove the exterior and interior packing.
- Before connecting the appliance to the power source, let it stand upright for approximately 2 hours. This will reduce the possibility of a malfunction in the cooling system from handling during transportation.
- Clean the interior surface with lukewarm water using a soft cloth.
- This appliance is intended for household use.

### ➤ Installation

- This appliance is designed to be freestanding or built-in. (Refer to the sticker at the back of this appliance).
- Place the appliance on a floor that is strong enough to support it when it is fully loaded. To level the appliance, adjust the front leveling feet at the bottom.
- Be careful not to damage the appliance during transportation.
- Install the appliance away from direct sunlight and sources of heat (stove, heater, radiator, etc.).
- Do not install the appliance in moist areas or where it can be exposed to cold temperatures.
- Plug the appliance into a dedicated, properly installed-grounded wall outlet. Do not under any circumstances cut or remove the third (ground) prong from the power cord.
- Place the appliance in a room where the temperature range is from 32°F - 101 F (0 to 38 C).

### Safe Disposal

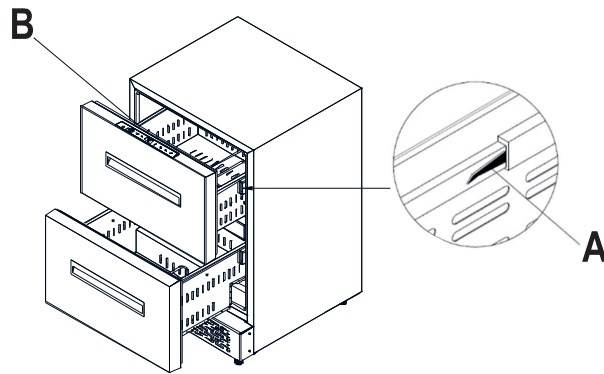
Before you throw away your old appliance: Remove the drawers from the Drawer Refrigerator.

Please dispose of the appliance in accordance with local regulations.

➤ **Install and Remove Drawers**

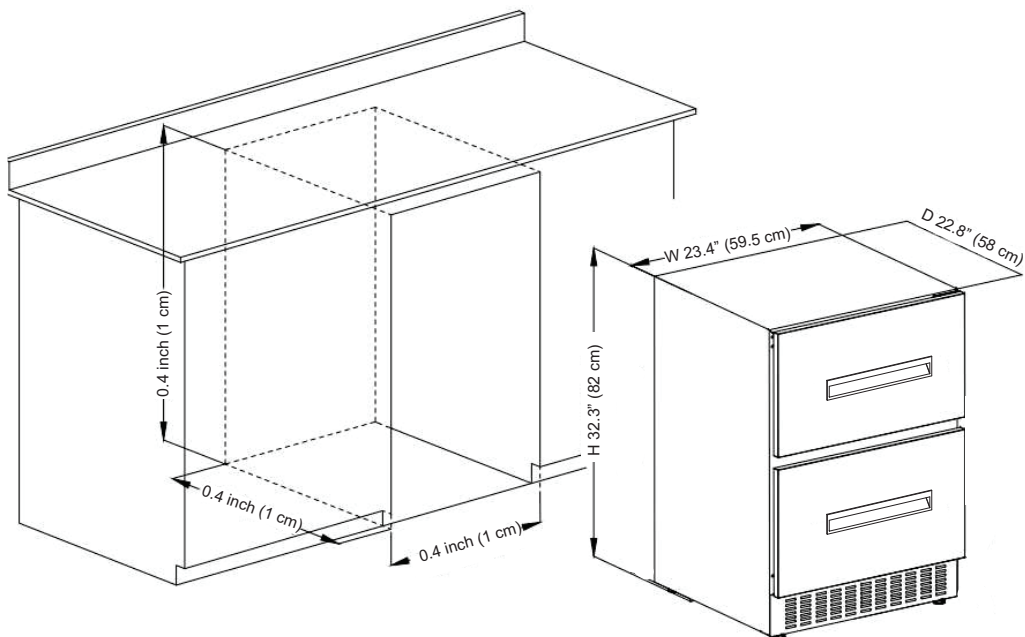
Install: Place the rail of the drawers in the slot of the cabinet rail to push in the drawers. Both rails must be in parallel.

Remove: At the same time, press down the locking bar A at the left side and lift up the locking bar B at the right side. Then pull out the drawers from the cabinet.



➤ **Installation Specifications for Built-in**

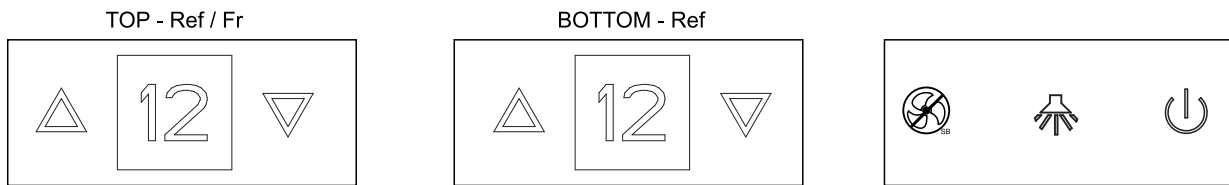
For installing the appliance as built-in, ensure that there is adequate space between the unit and the cabinet. There should be a minimum of 0.4 inches (1 cm) on both sides, on top and at the back.



## Operation

This appliance is intended for household use and for the storage of food and beverages. Do not overload the cabinet and ensure that the drawer can be closed firmly.

The appliance has dual temperature zones, which allows for different temperature settings in the same appliance depending on the items that are being stored. The top drawer can be used as either a refrigerator or a freezer. The bottom drawer can only be used as a refrigerator.



Press the Power ON / OFF button to turn the appliance on.

Press the Light ON / OFF button to turn on the LED light inside the appliance.

The temperature range of the appliance is:

- -4°F - 50 °F in the top drawer
- 14°F - 50 °F in the bottom drawer

The temperature of the top drawer must be set less than the temperature in the bottom drawer. Increase or decrease the temperature by pressing the Up and Down arrows.

Pressing the temperature Up and Down buttons for 5 seconds will display the temperature as °F or °C.

If the power goes off or if the appliance is unplugged, the temperatures in the appliance will be saved to memory and the same temperature settings will be activated when the appliance restarts.

## CARE & MAINTENANCE

### ➤ **Cleaning**

Turn off the power, unplug the appliance, and remove all items.

Using a damp cloth, wipe the outside and inside surfaces with warm water and mild solution. Dry with a clean, soft cloth.

### ➤ **Vacation**

Short vacations: Leave the appliance operating during vacations of less than three weeks. If the appliance will not be used for several months, remove all items and turn off the appliance. Clean and dry the interior thoroughly. To prevent odor and mold growth, leave the drawers open slightly, blocking them open if necessary.

### ➤ **Moving**

Remove all items.

Secure drawers using tape and/or foam material.

Turn the adjustable feet up to the base to avoid damage.

Tape the drawers shut.

Be sure the appliance stays secure in the upright position during transportation.

Also protect the outside of the appliance with a blanket or similar items.

## Technical Specifications

Model No.	DRFC 5292
Electrical	110V~60Hz
Rated Power	180W
Rated Current	0.9A
Refrigerant, Amount	R600a (45g / 1.59oz)
Foaming Agent	Cyclopentane
Weight	99.2 lbs
Product Dimensions (H*W*D) inches	32.28 x 23.42 x 22.83

## TROUBLESHOOTING

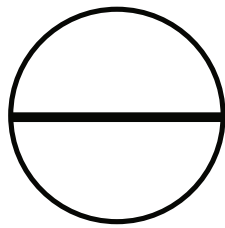
Many common problems can be easily solved, saving you the cost of a possible service call. Please see the Troubleshooting Guide below to solve problems before calling for service.

Problem	Possible Cause
Appliance does not operate	Not plugged in. The appliance is turned off. The circuit breaker tripped or a blown fuse.
Not cold enough	Check the temperature control setting. External environment may require a higher setting. The drawer is opened too often. The drawer is not closed completely.
Turns on and off frequently	The room temperature is hotter than normal. Overload of the drawer. The drawer is opened too often. The drawer is not closed completely. The temperature is not set correctly.
The light does not work	Not plugged in. The circuit breaker is tripped or fuse has blown. The bulb has burned out. The light button is "OFF"
Vibrations	The unit is not placed on a level floor.
Too much noise	The rattling noise may come from the flow of refrigerant, which is normal. As each cycle ends, you may hear gurgling. Contraction and expansion of the inside walls may cause popping and crackling noises. The unit is not level.
The drawer will not close properly	The unit is not level. The drawer was not properly installed.

State of California Proposition 65 Warnings:

WARNING: This product contains one or more chemicals known to the State of California to cause cancer.

WARNING: This product contains one or more chemicals known to the State of California to cause birth defects or other reproductive harm.



**EQUATOR**®

**ADVANCED Appliances** ≡

**Equator Advanced Appliances USA** was established in 1991 for providing the most Efficient, Highest Quality and Innovative household appliances.

**Equator's mission** is to provide Innovative, Practical, Top-Quality appliances that Save Time, Space and Energy and Simplify domestic chores.

**Equator's vision** is to Improve the Quality of Life for our Customers!

**Equator Appliances USA**

[www.EquatorAppliances.com](http://www.EquatorAppliances.com)