

Installation Dimensions :

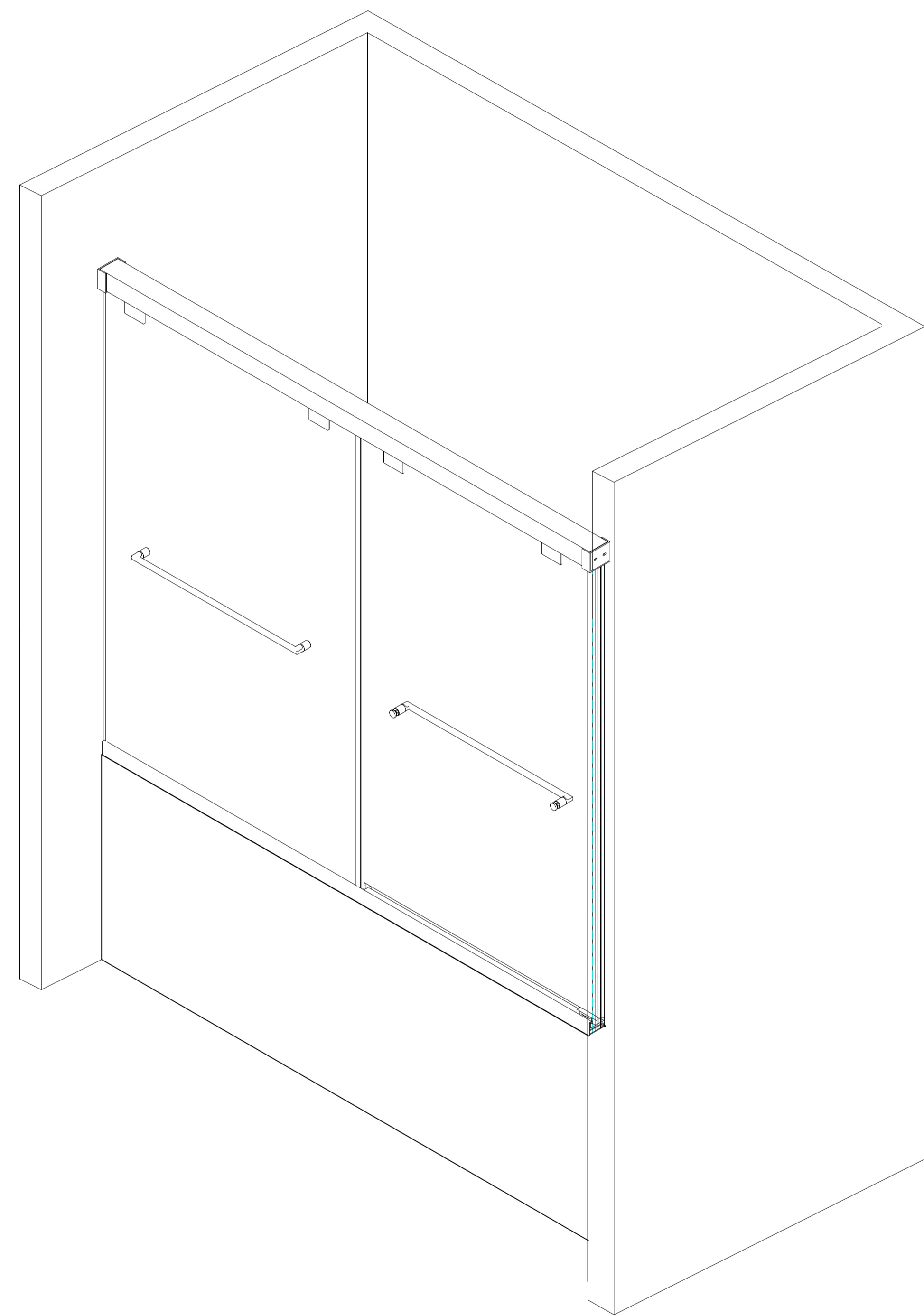
55" - 60" W x 76" H

49" - 54" W x 76" H

## YS0102 Series Shower Door

### INSTALLATION GUIDE

**CAUTION:** To reduce the risk of breakage, keep corner protectors on glass while installing. Keep corner protectors for use in case future adjustment are needed.



installation video

**Please spend two minutes  
watching the installation  
video to save half an hour  
of installation time**



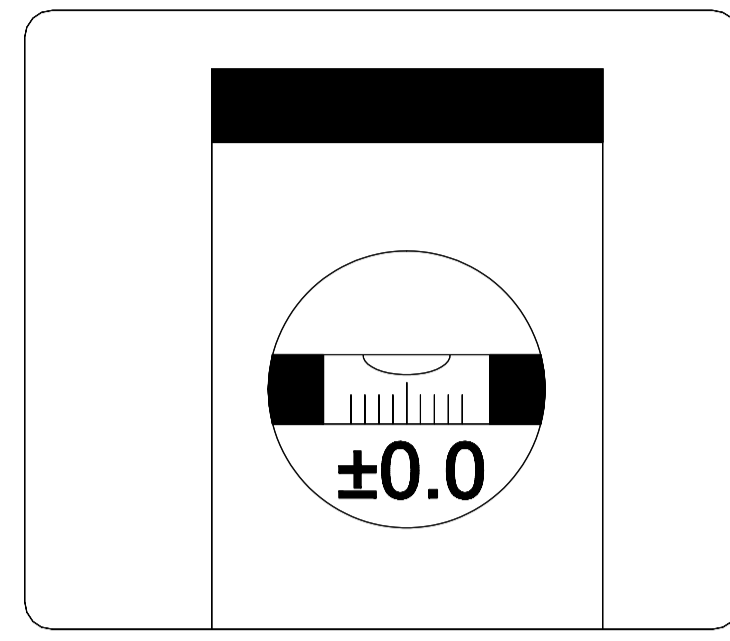
Scan the QR code

# Model Specific Preparation

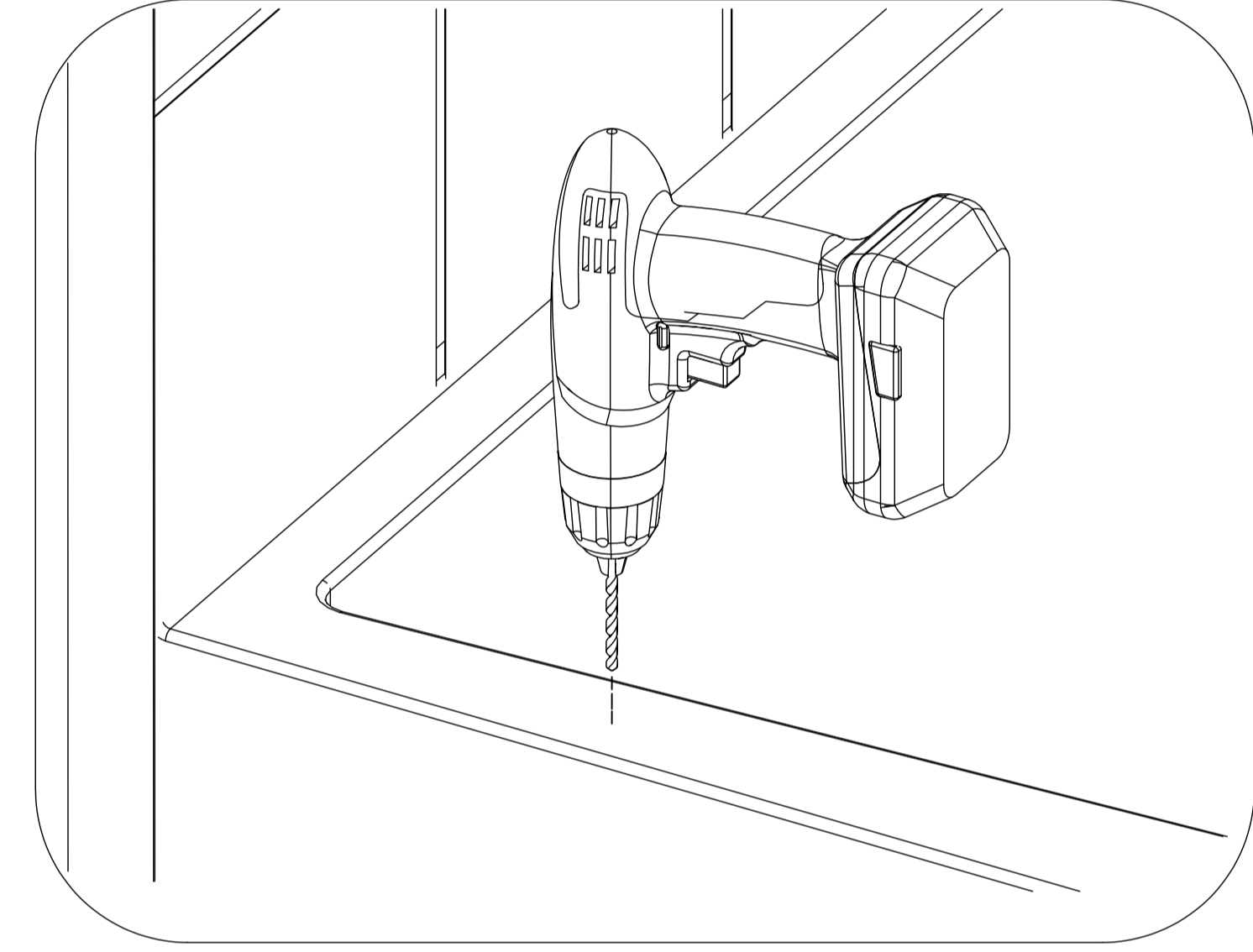
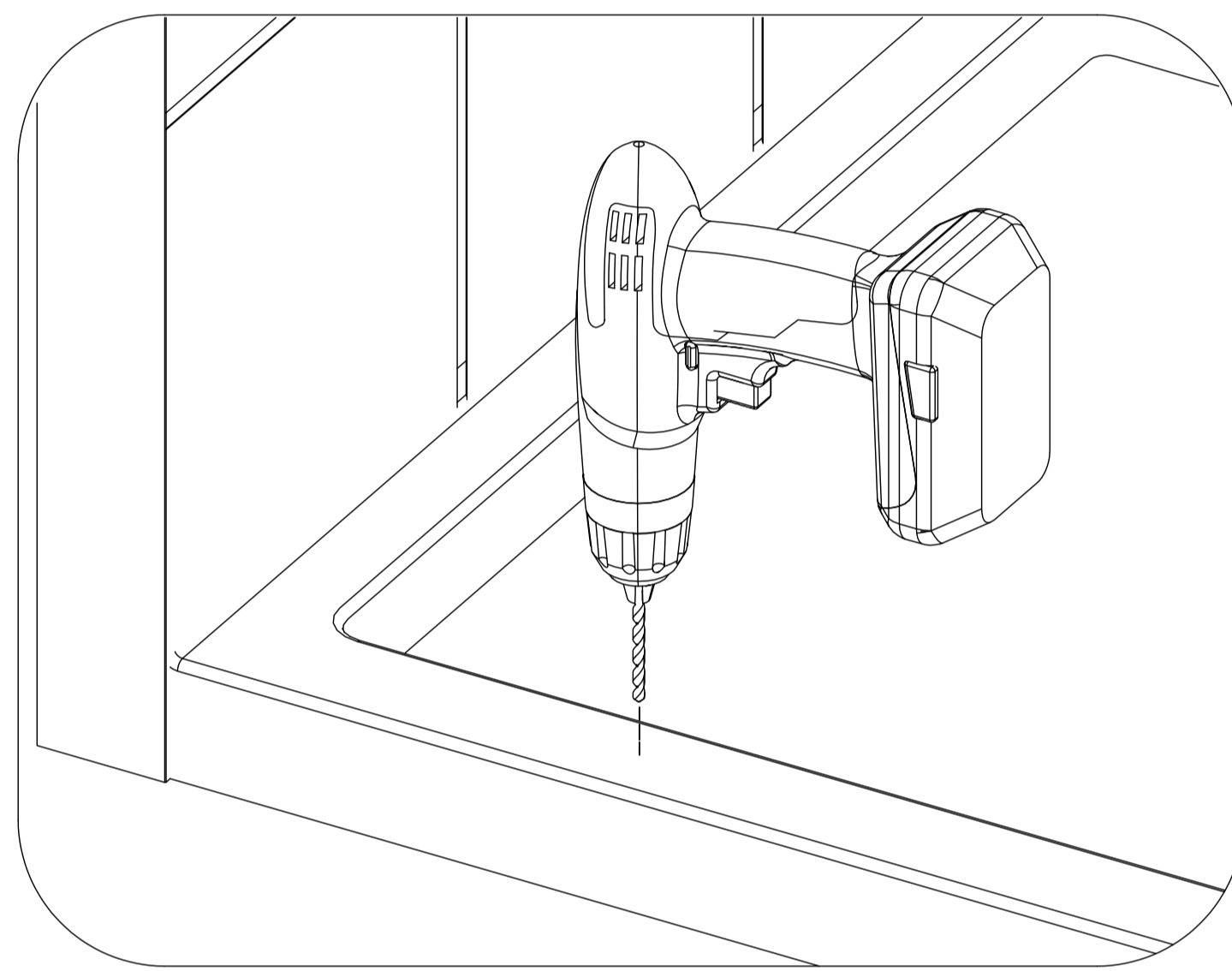
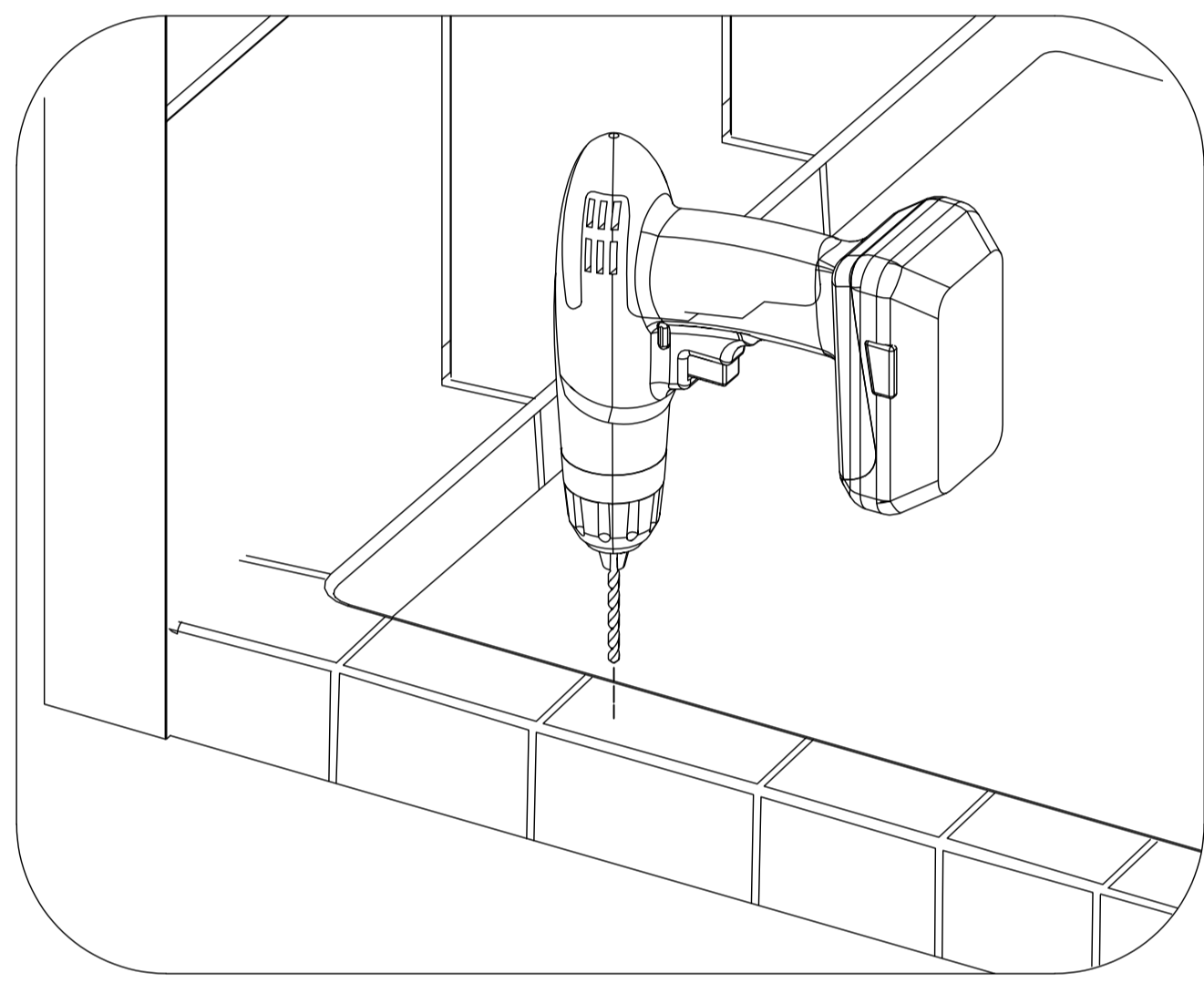
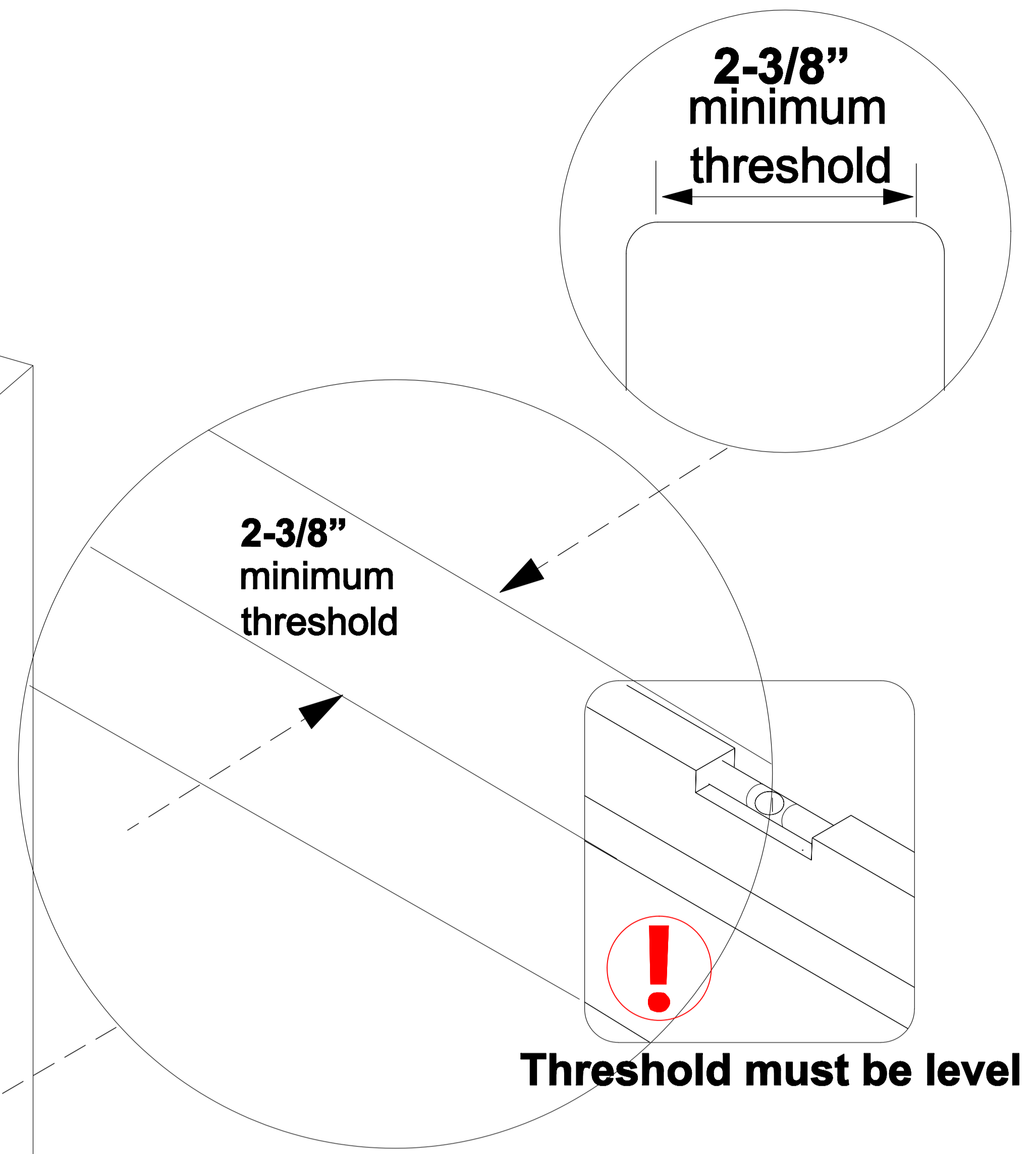
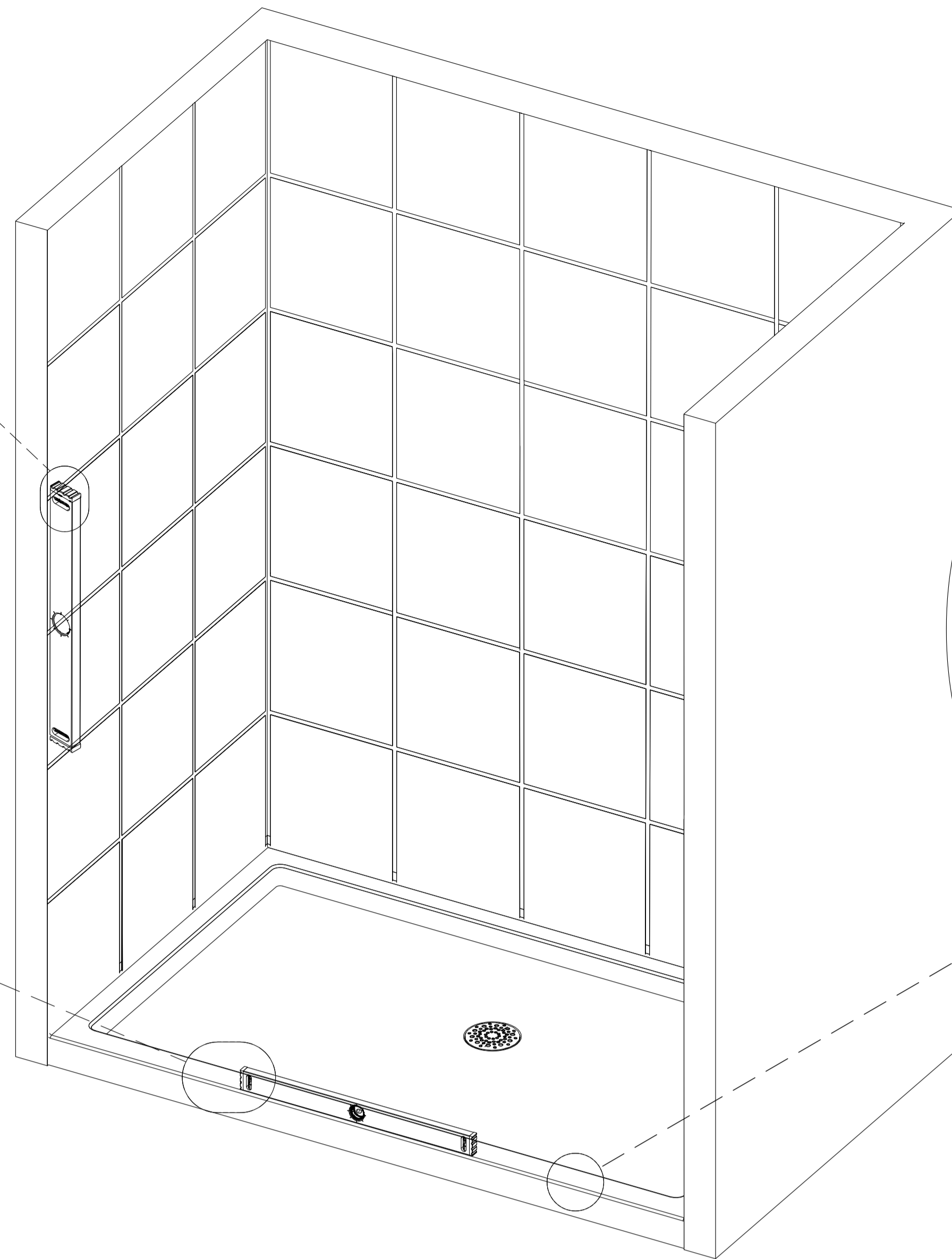
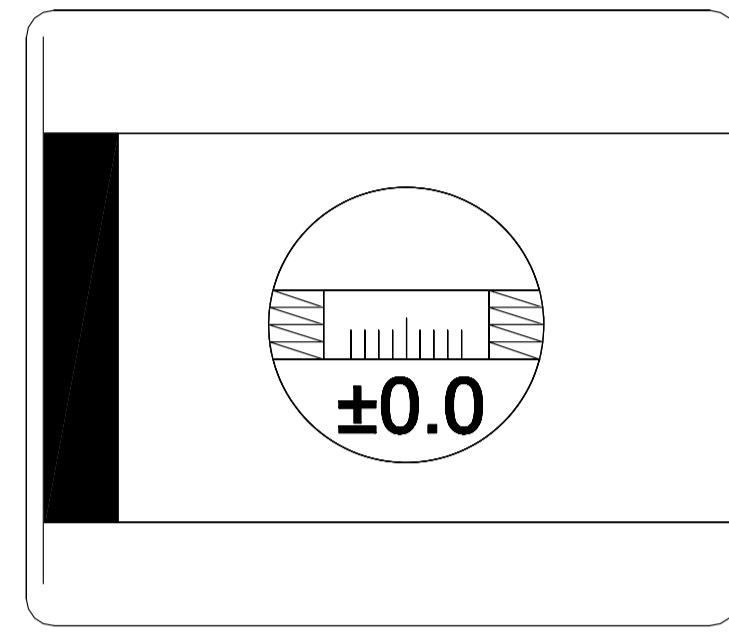


**REQUIRED:**

Verify threshold and walls with a level



Threshold must be level



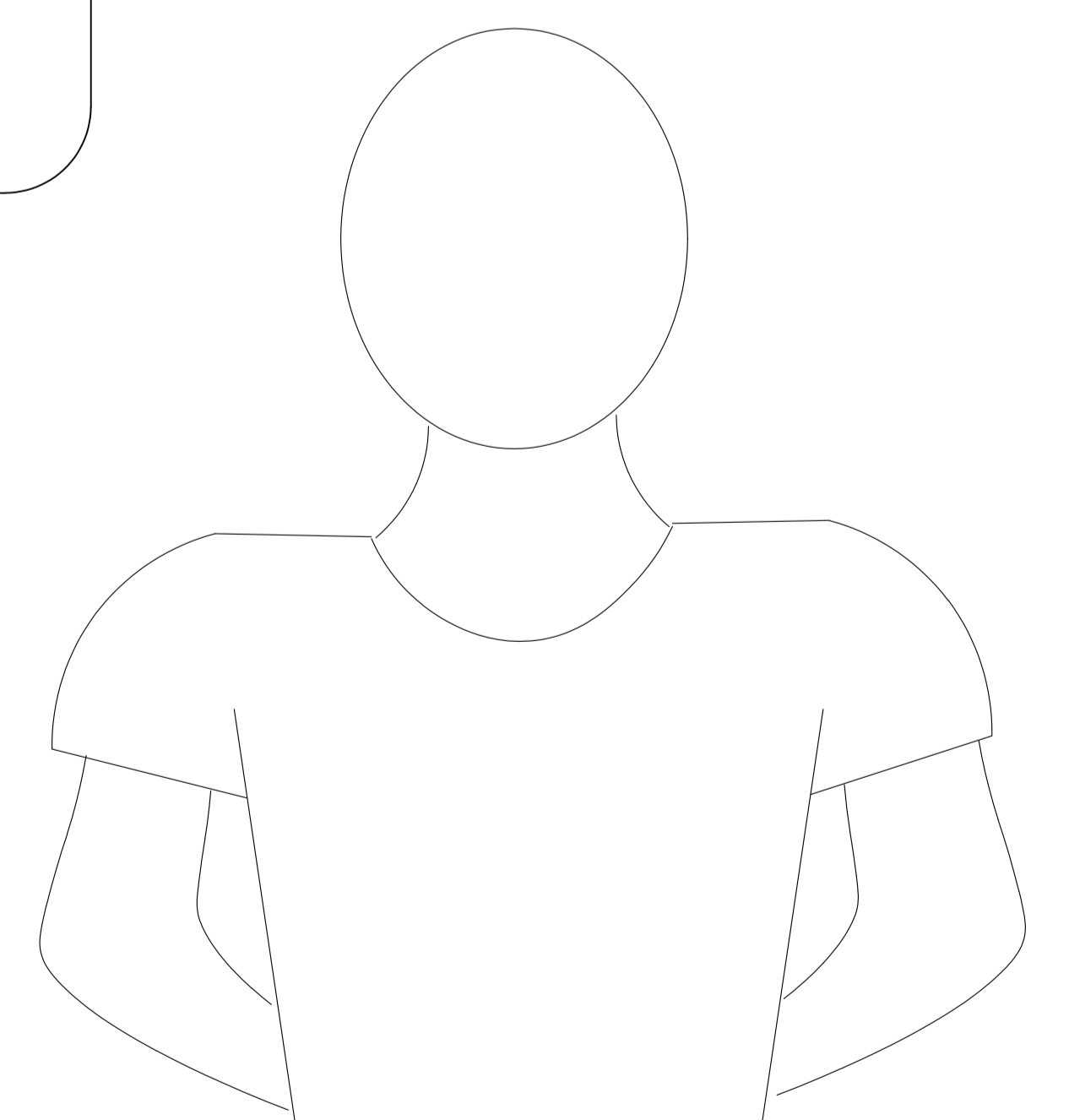
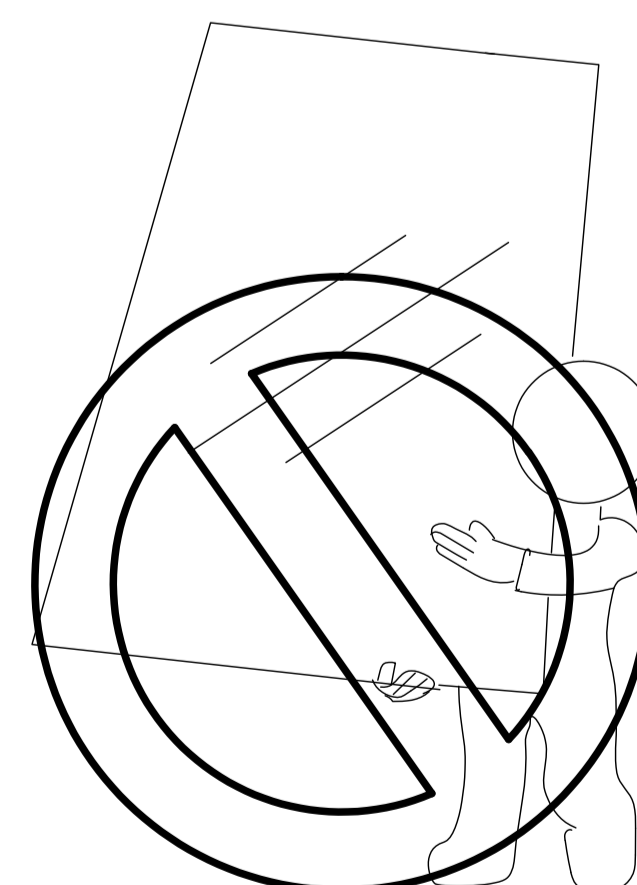
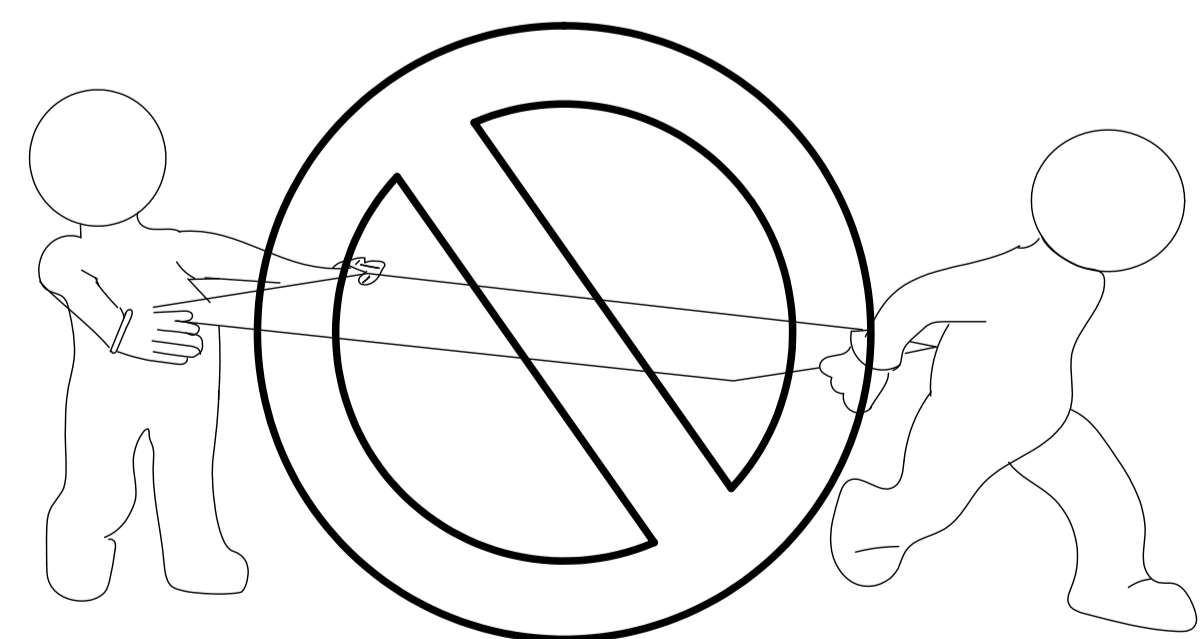
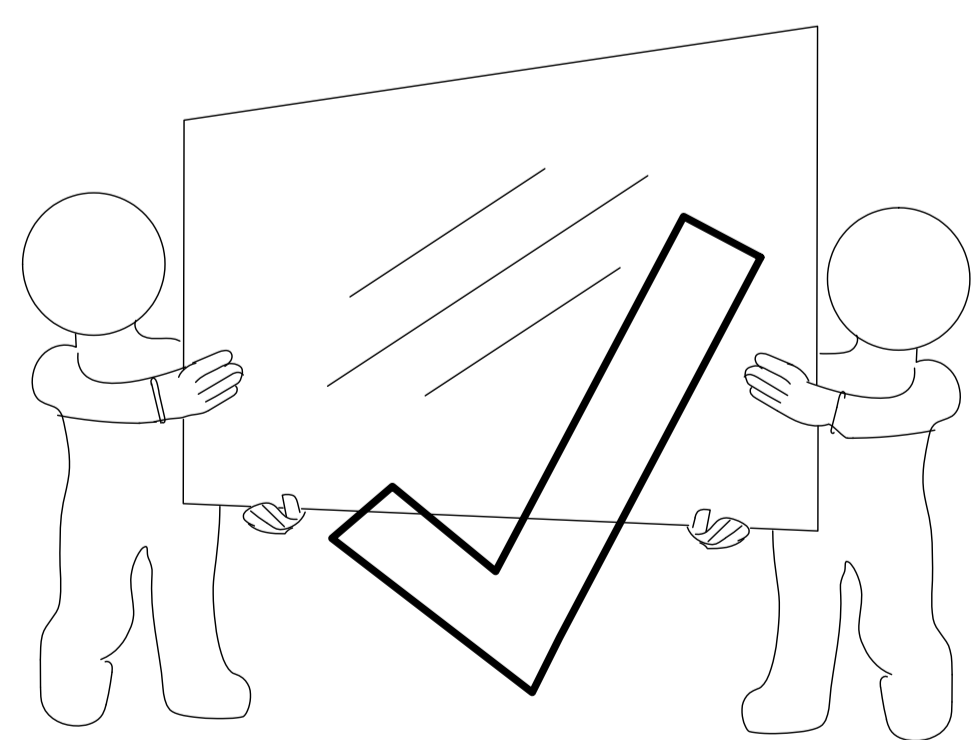
**Thank you for purchasing this product. It can be installed by applying silicone sealant or drilling! Please check if the base bathtub or threshold can be drilled before installation!**



**Contact the manufacturer of the base, tub or threshold material with any questions regarding the drilling of holes into their product.**



**Before installation, please check if there is enough space on the edge of the bathtub to install the product. The minimum threshold requirement is 2-3/8" inch!**

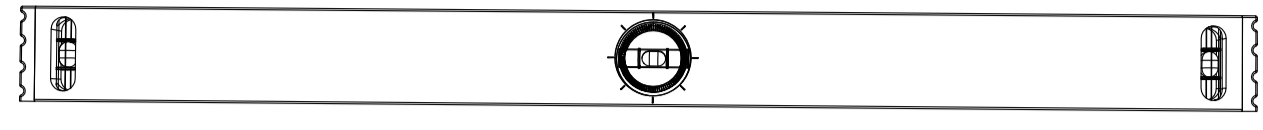


**This door recommended professional installation. Two installers required.**

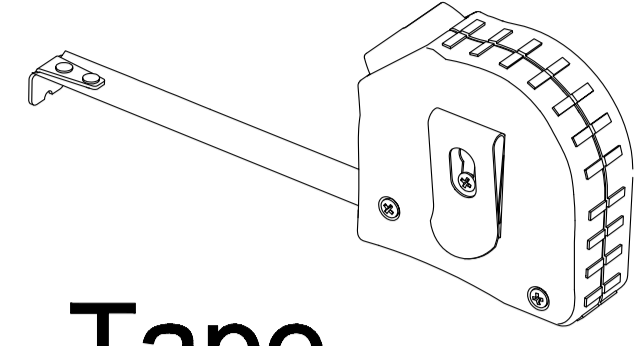


**Professional Installation recommended.**

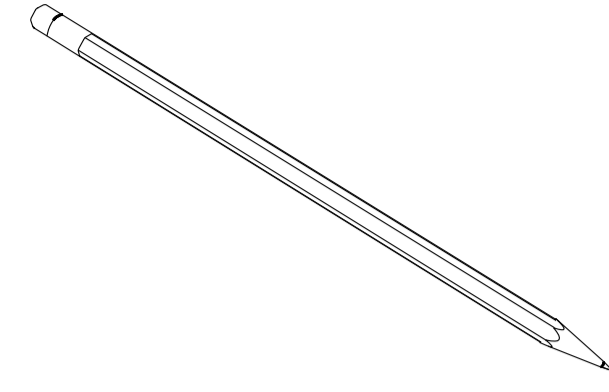
# Tools



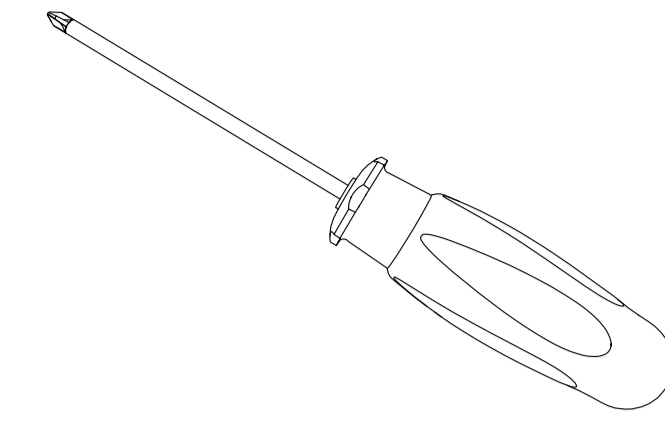
Level



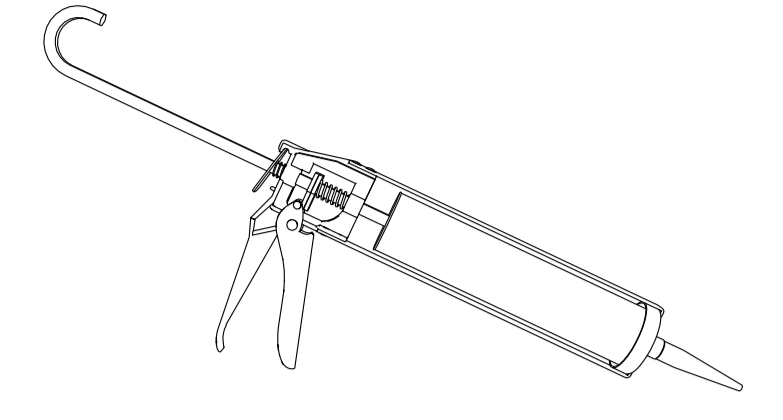
Tape Measure



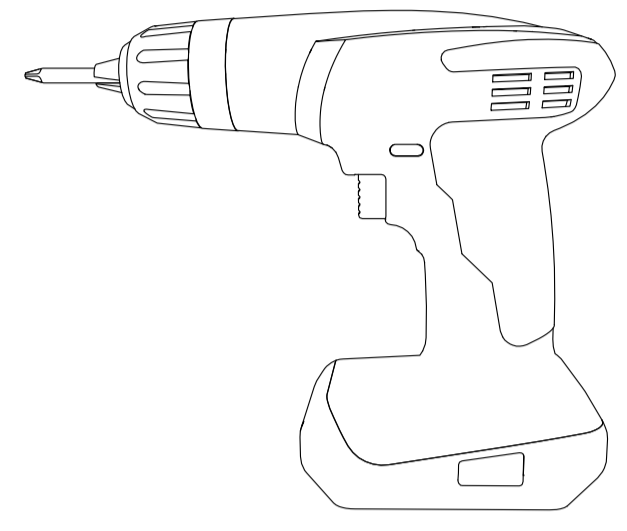
Pencil



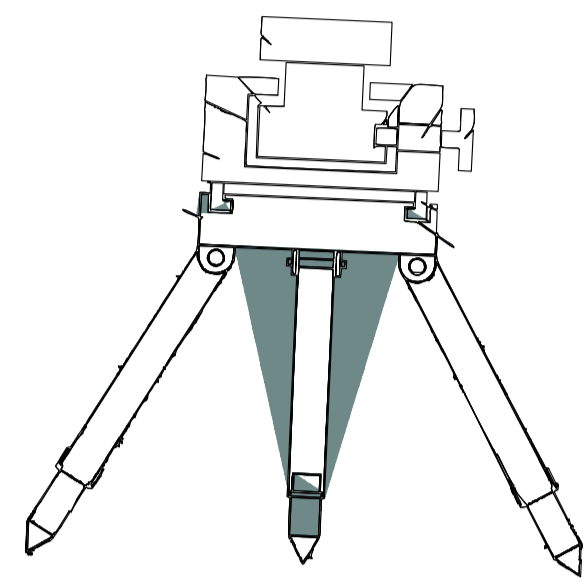
Phillips Screwdriver



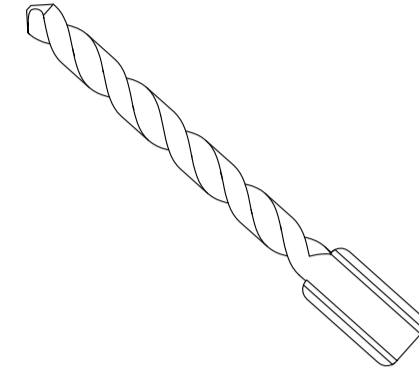
Silicone



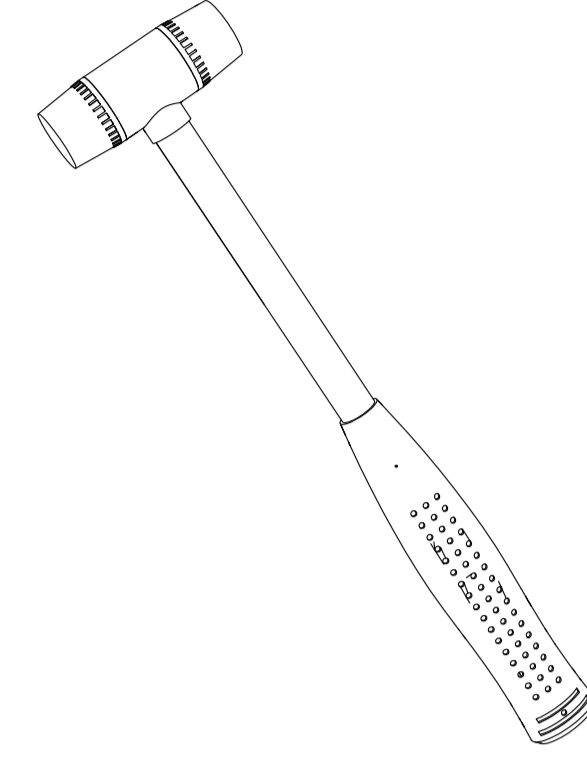
Power Drill



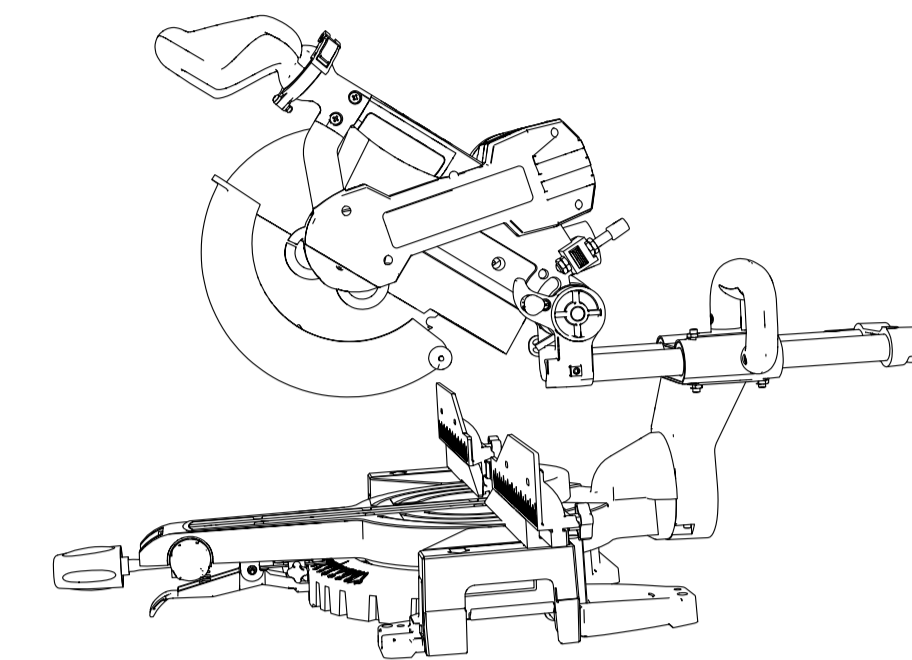
level gauge



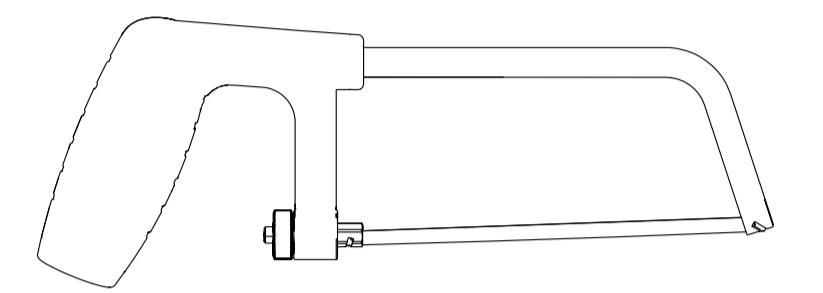
Drill Bit  
Ø1/4"  
(6mm)



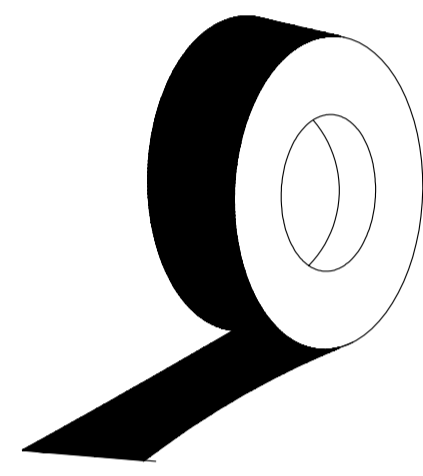
Soft Head Hammer



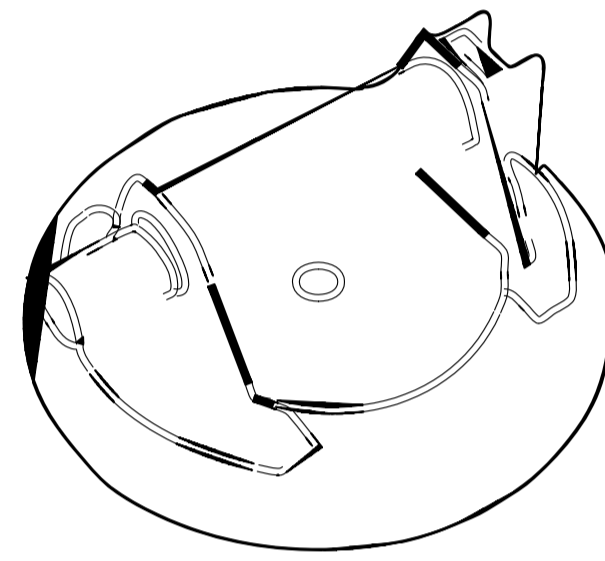
Mitre Saw



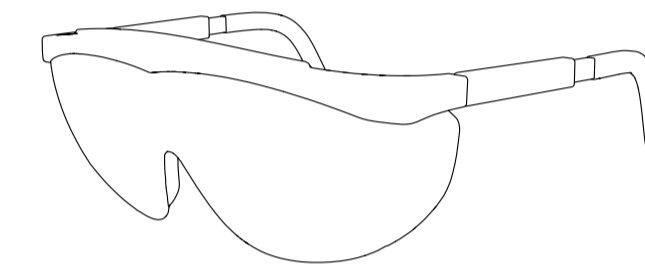
Hacksaw



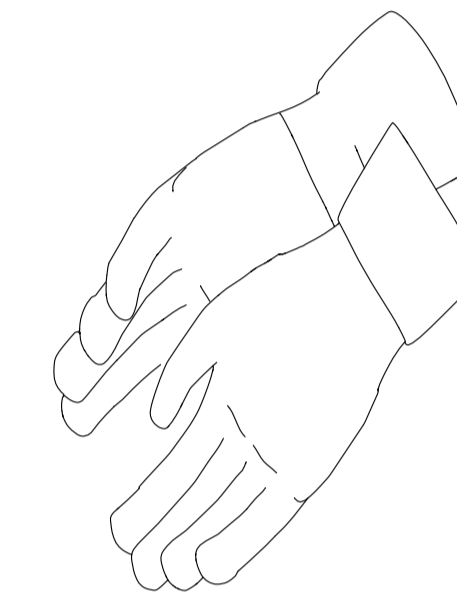
Painter's Tape



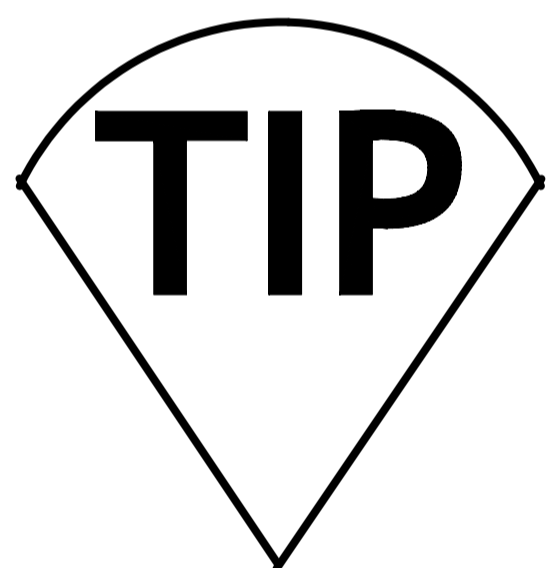
Professional-grade  
Glass suction cup



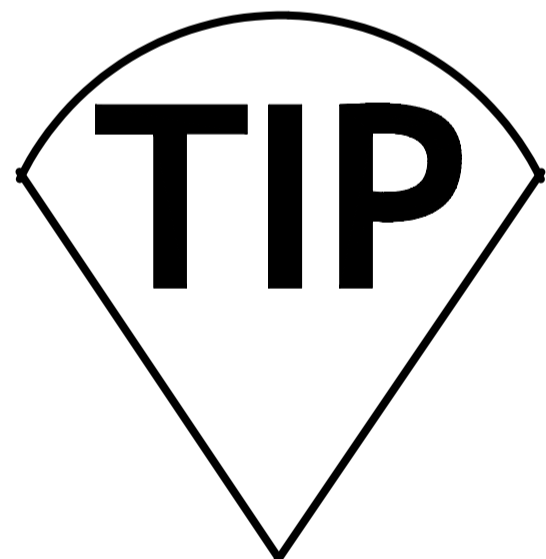
Safety Glasses



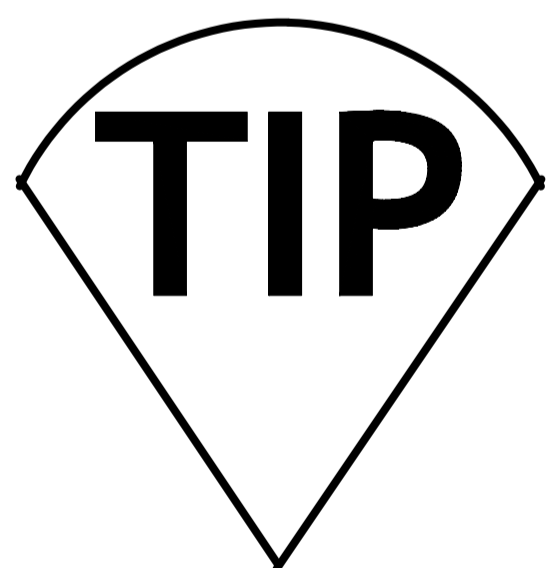
Work Gloves



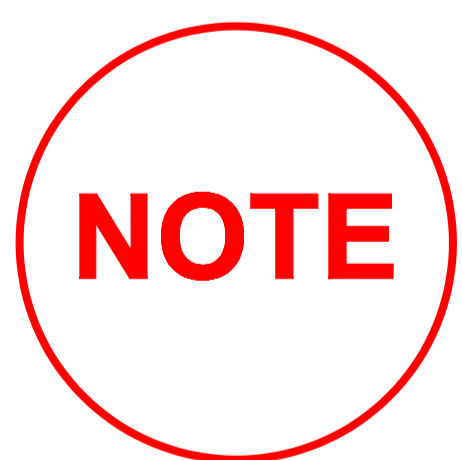
Measure the finished opening before proceeding with the installation to be sure that the correct model size has been ordered.



Prior to installation, cover the shower/tub drain with tape to prevent losing screws or small parts.



To prevent stripping the screw heads, set screw gun clutch to a low setting when installing screws and bolts.

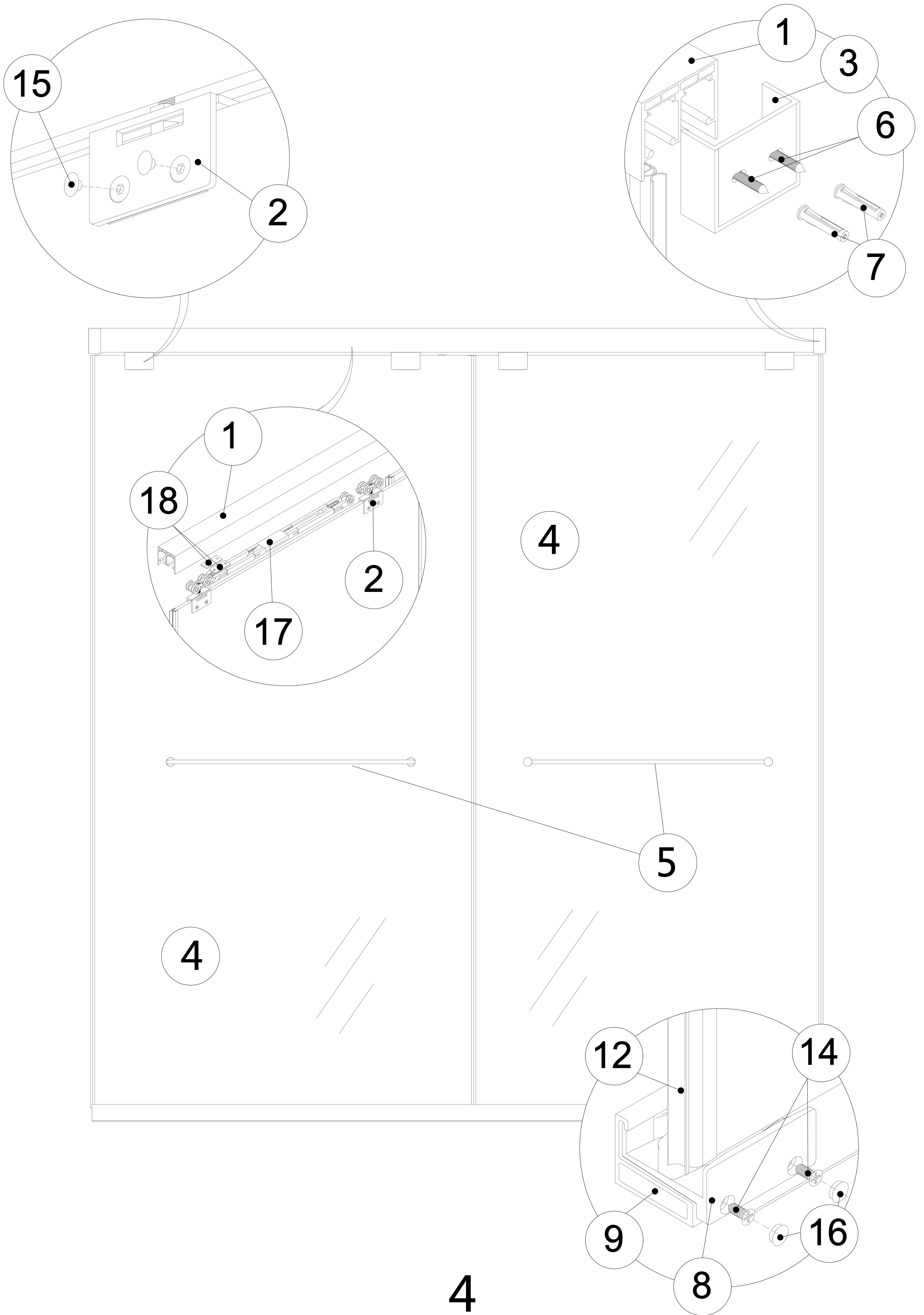


Unpack your unit carefully and inspect it. Lay it out and identify all parts using the **Detailed Diagram** on **page 4** and parts list in this manual as a reference. Before discarding the carton, check for small hardware bags that may have fallen to the bottom of the box. If any parts are damaged or missing, please contact us for replacement , The shipping boxes may contain extra parts not used in your model configuration.



Retain these installation instructions for future reference.

# Detailed Diagram of Shower Door Components



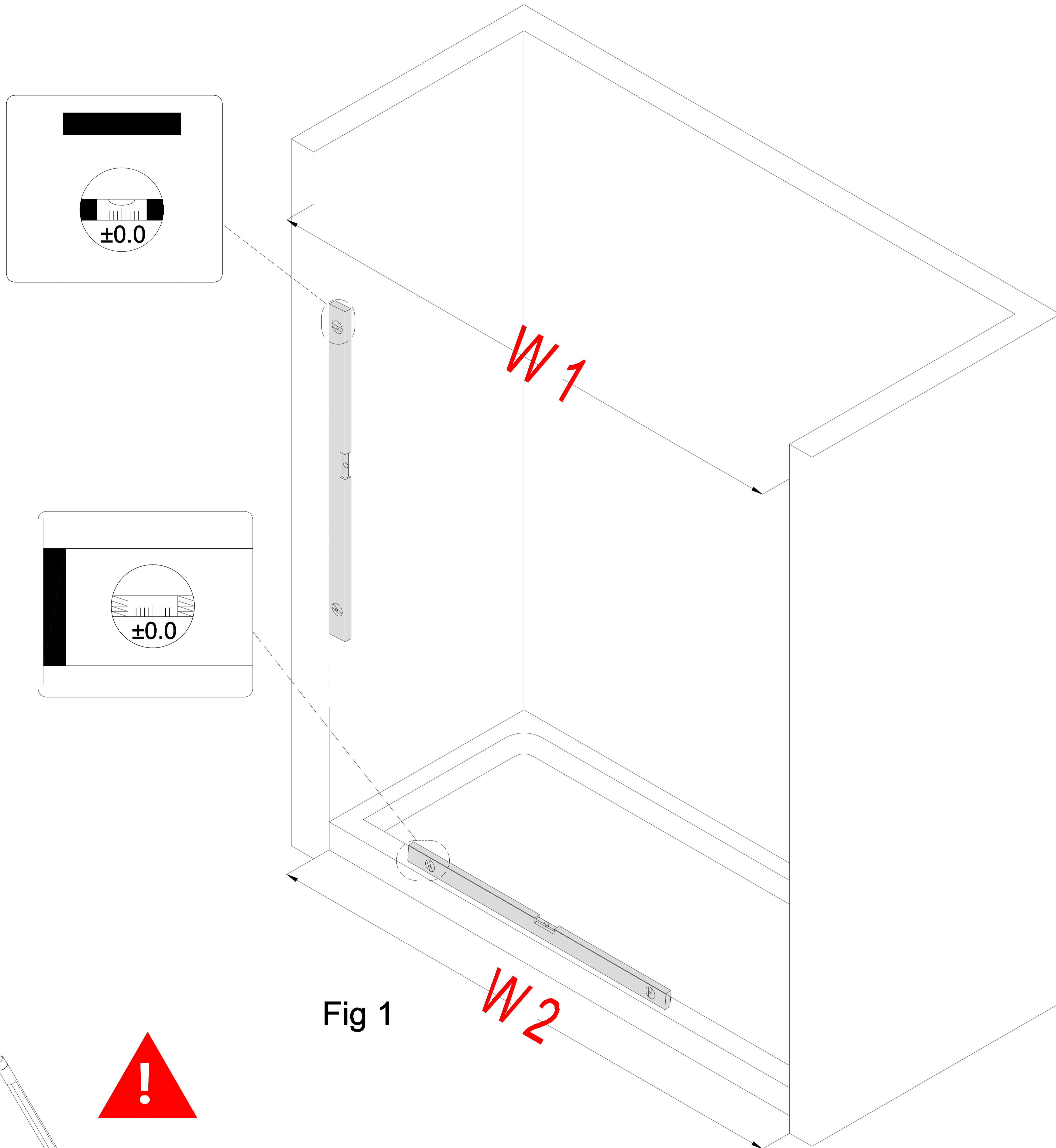


# STEP 1

Measure the finished opening width.

NOTE

1. Measure the finished opening width at the bottom and at the model height.
- Use these dimensions as "W1" (top) and "W2" (bottom) in step #2.
2. Also check the threshold for level and the walls for plumb. (Fig 1)



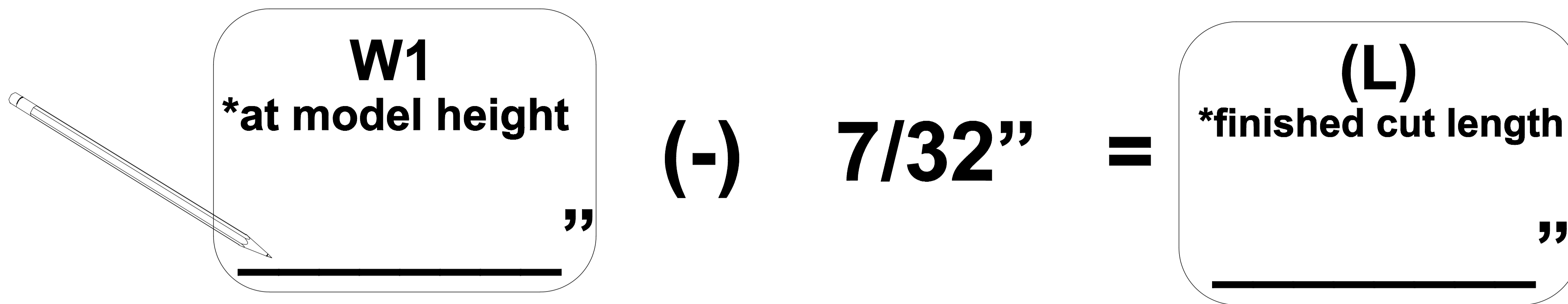
\_\_\_\_\_ Finished opening top (W1)

\_\_\_\_\_ Finished opening bottom (W2)

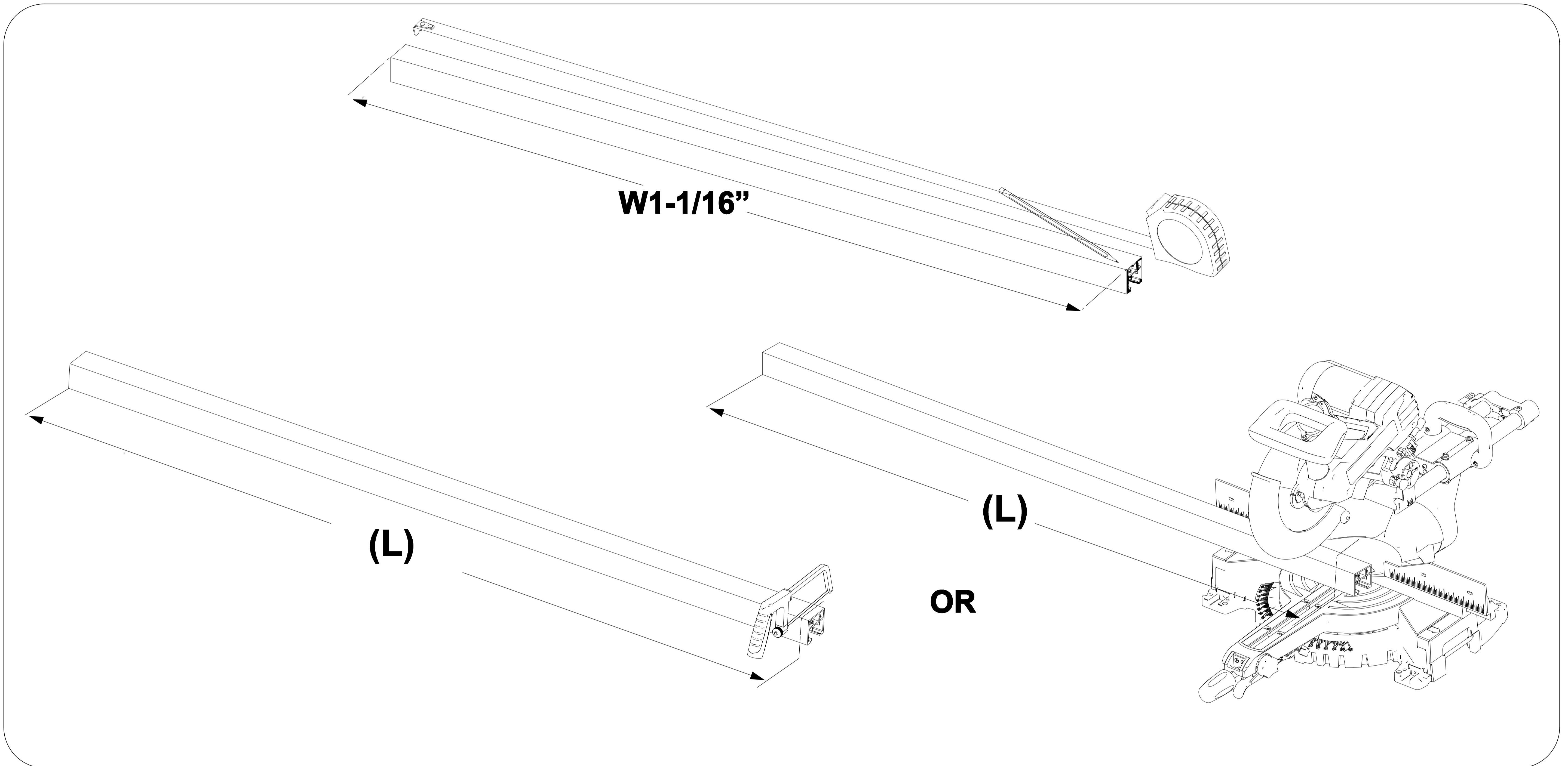
# STEP 2-1

## Cut The Upper Top Rail ①

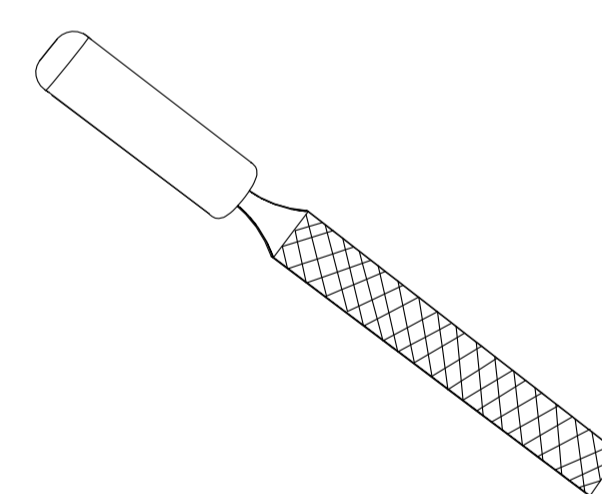
(If W1 meets the default width of the product, there is no need to cut it)



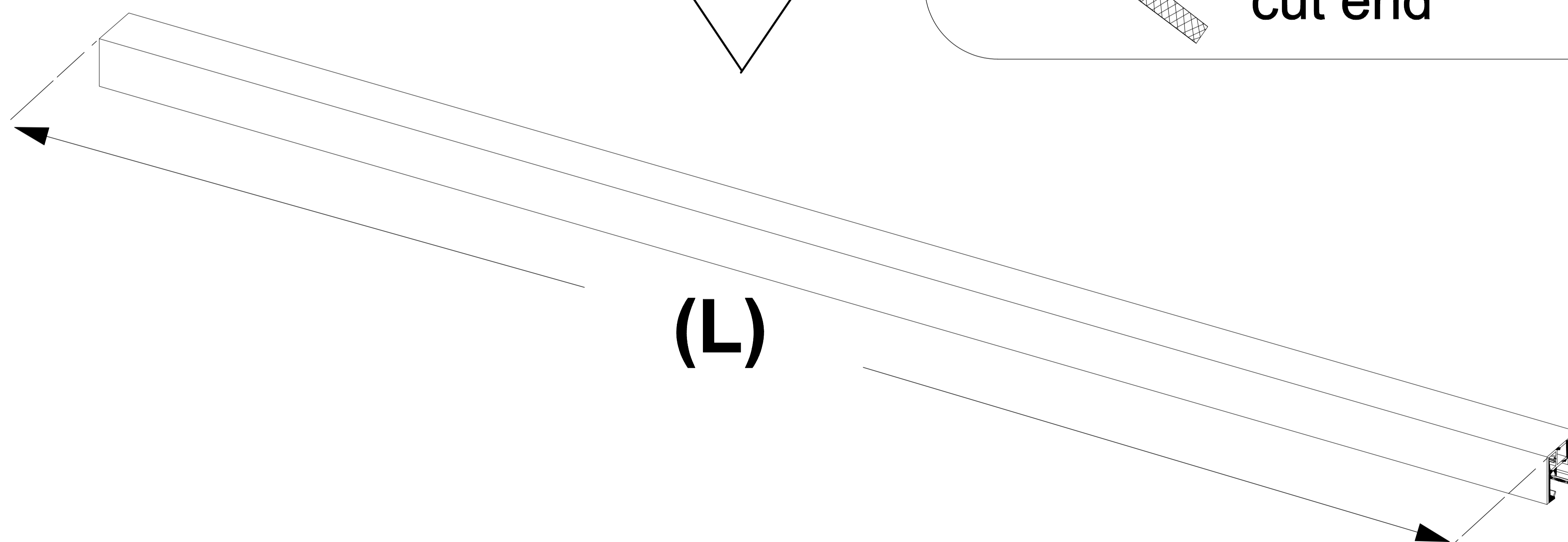
**!** Cut The Upper Top Rail ① to: "(L)"



**TIP**



Use a metal file to deburr the cut end



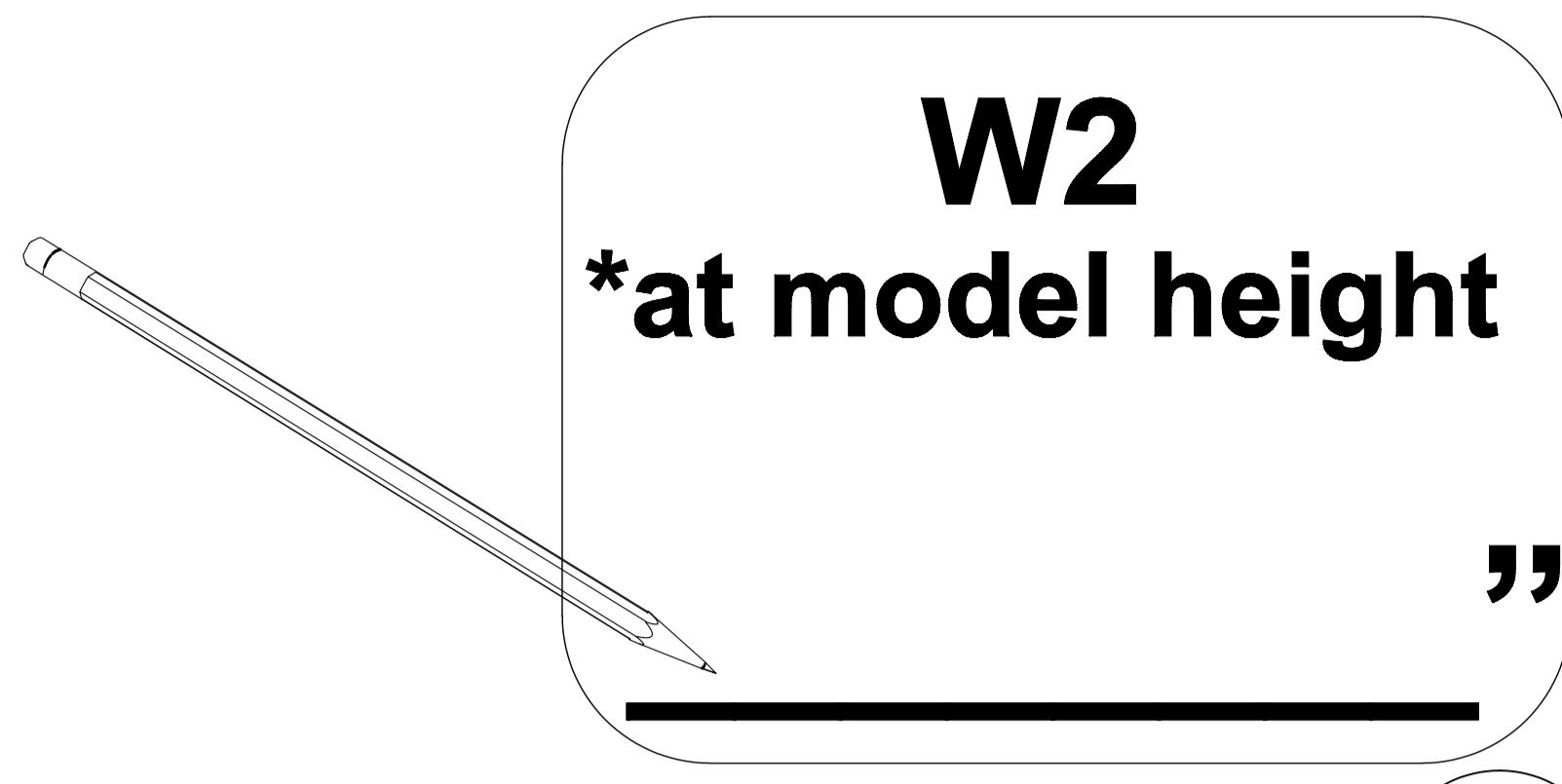
**NOTE**

The Top Rail ① fits wall-to-wall and can be cut from either end.

# STEP 2-2

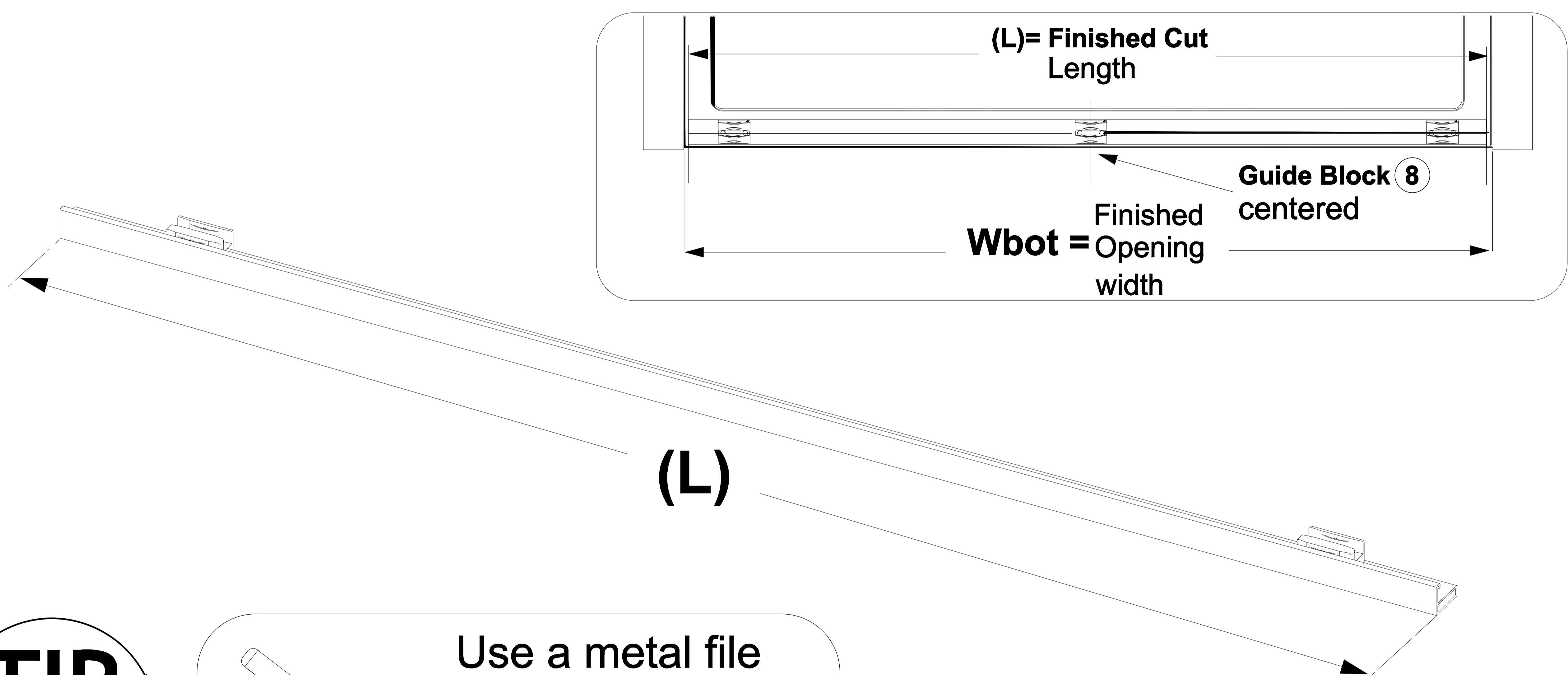
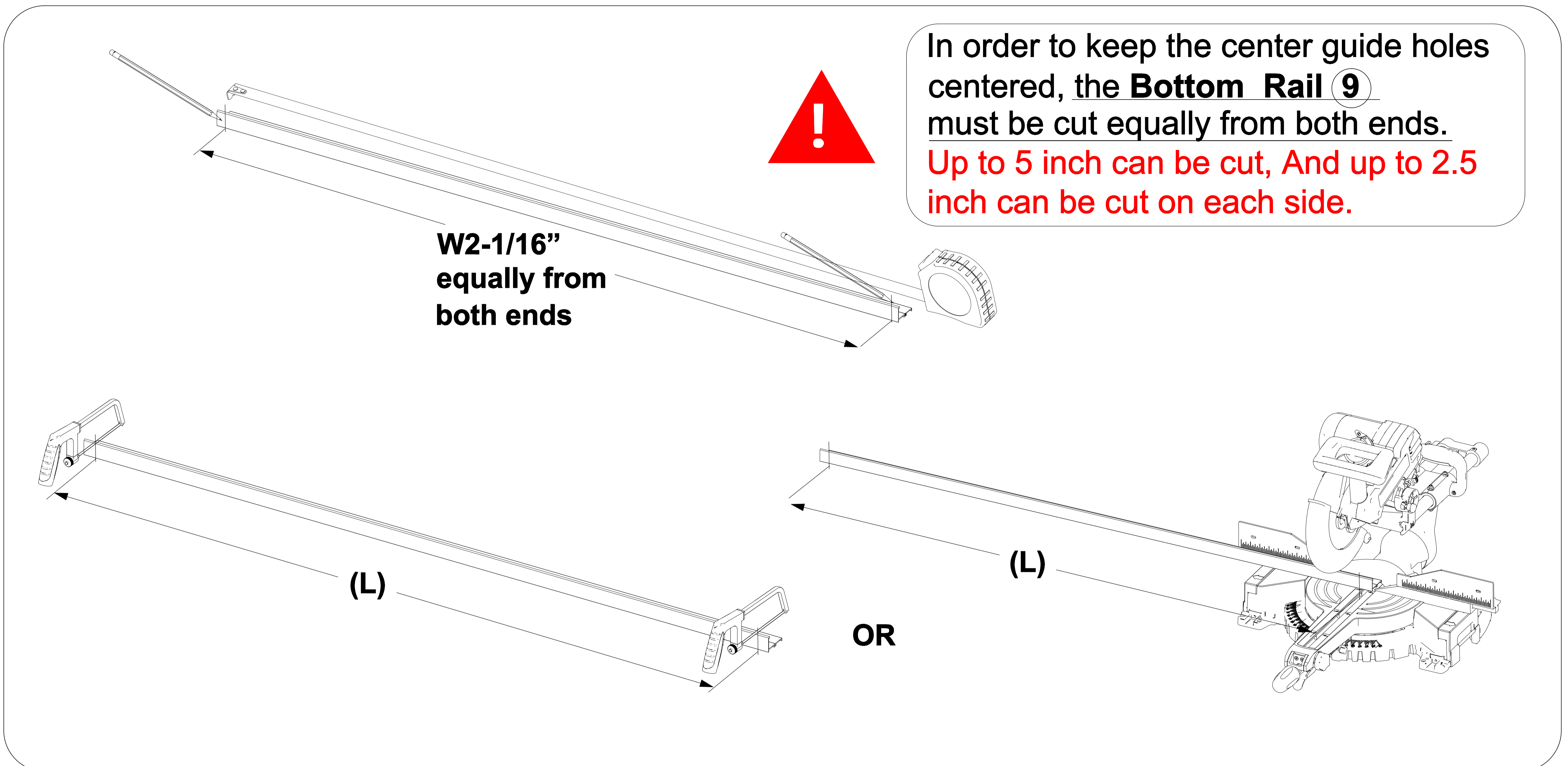
## Cut The Bottom Rail 9

(If W2 meets the default width of the product, there is no need to cut it)



$$\text{W2} \text{ *at model height} \text{ (-) } 3/32'' = \text{(L) *finished cut length}$$

**!** Cut The Bottom Rail 9 to: "(L)"



**TIP**

Use a metal file to deburr the cut end

The bottom guide 8 on both sides are pre installed before leaving the factory

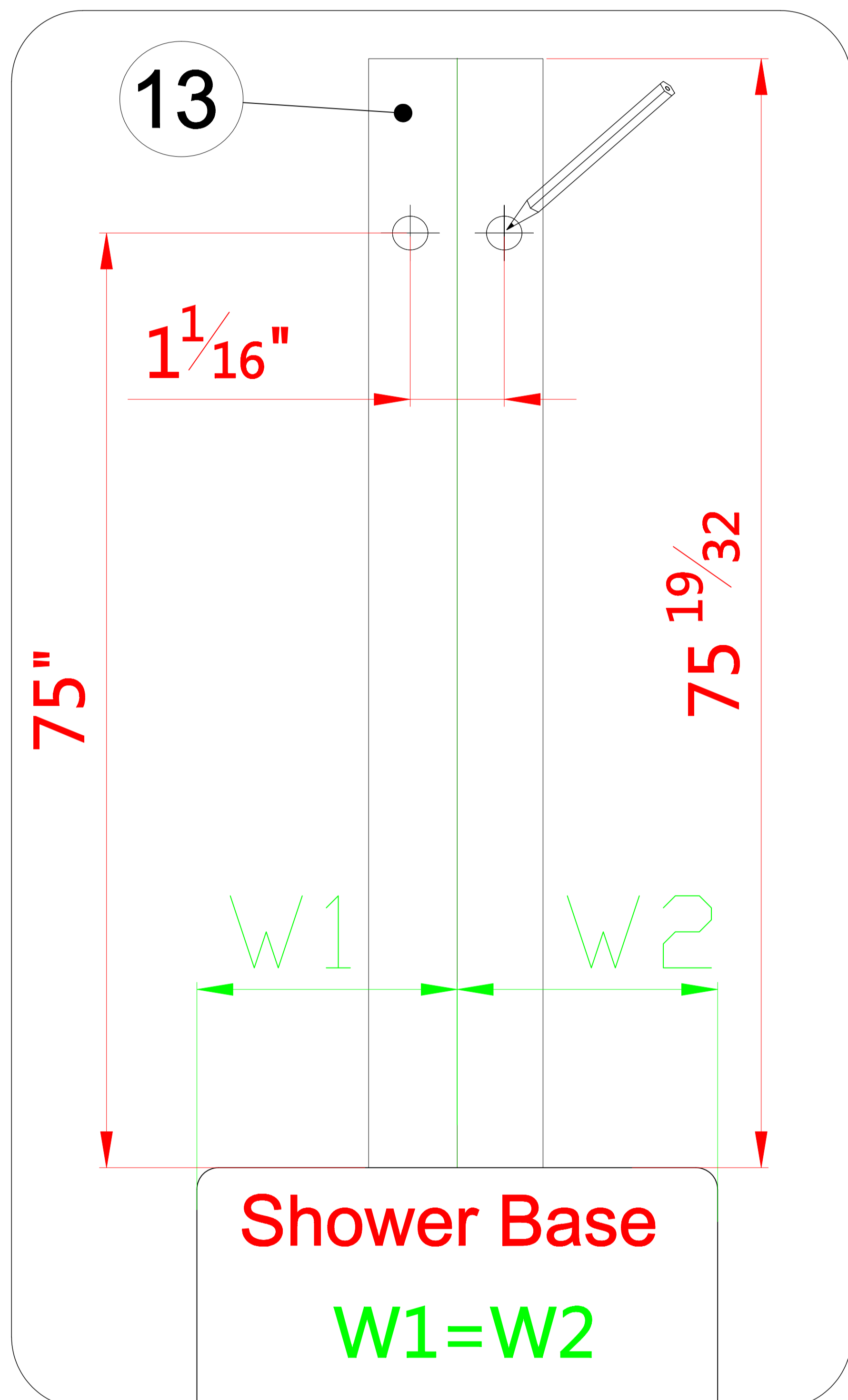
**NOTE**

To keep the **Bottom guide 8** holes centered, it is necessary to cut the **Bottom Rail 9**

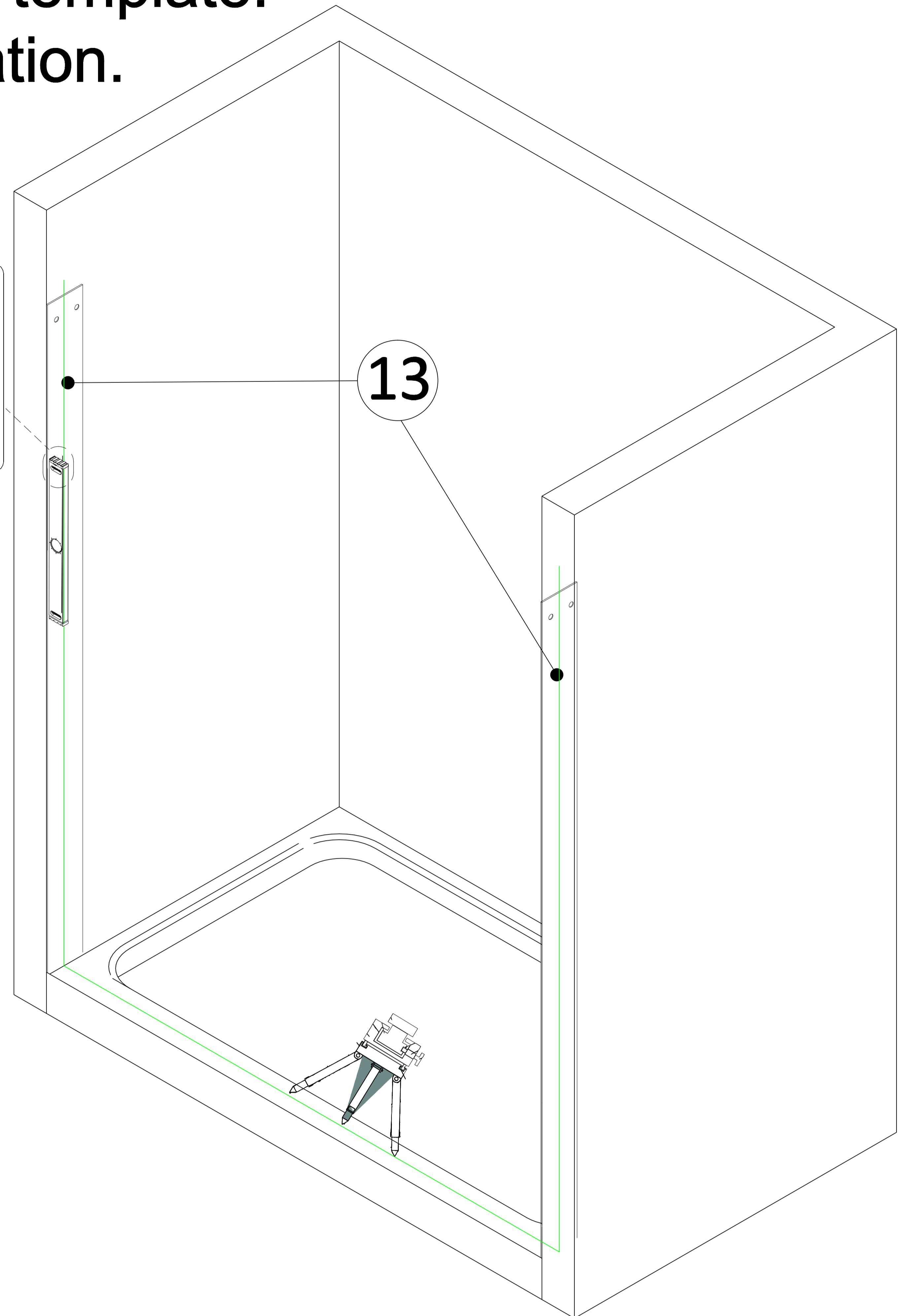
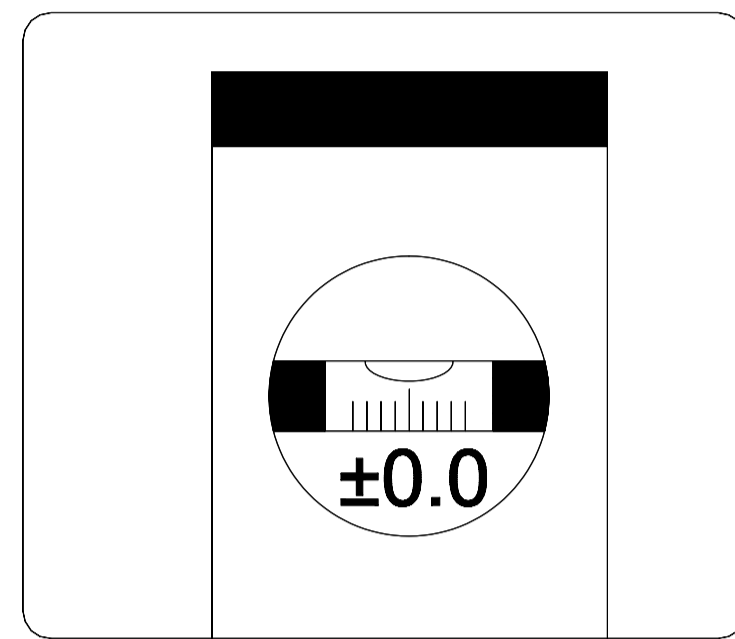
# STEP 3

Draw positioning holes according to the template 13

1. Lean the template 13 against the wall.
2. Make sure to level the template.
3. Use pencil to mark a hole on the template.
4. Drill the holes at the marked location.



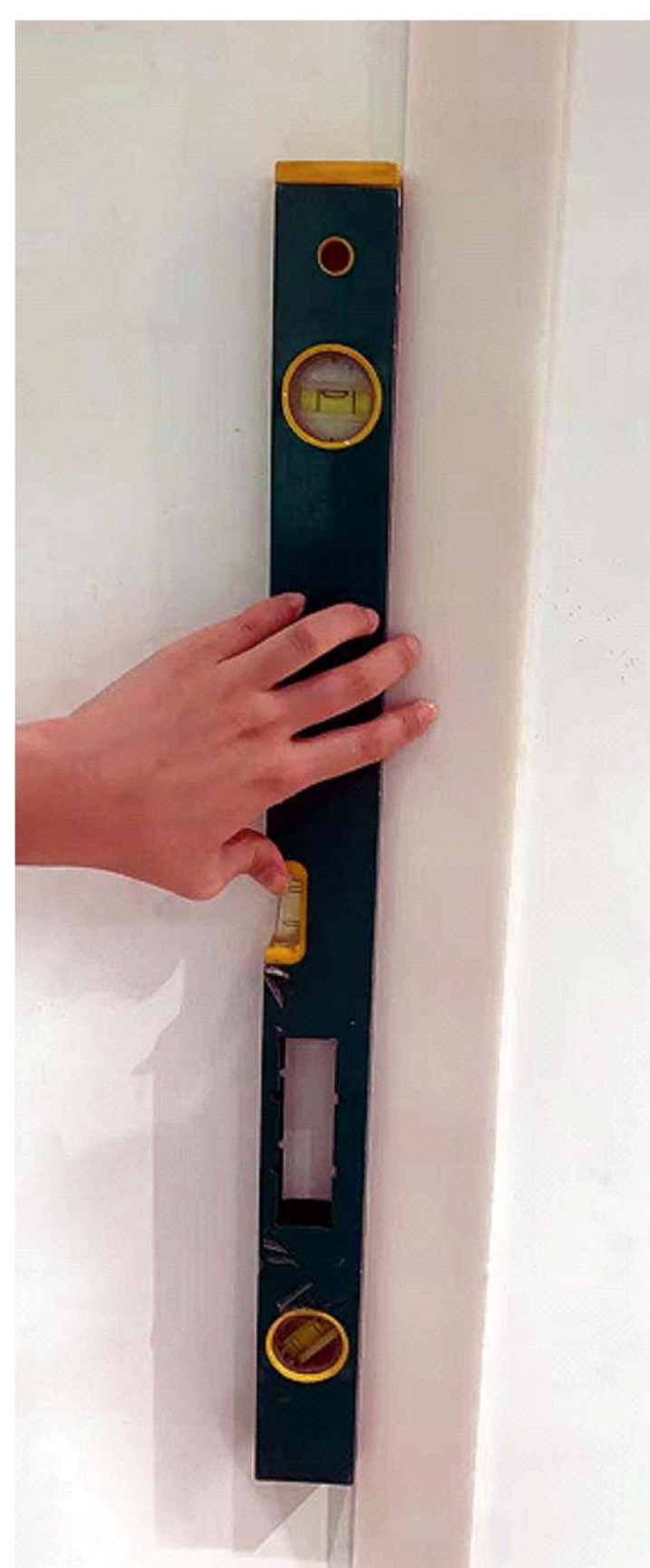
Note : Pay attention to the installation height of the Mounting Template for Wall ! Please do not install the wrong height



Please use a level to assist and ensure that the center of the template is aligned with the center of the Shower Base edge, otherwise it may cause subsequent installation parts to protrude from the bathtub!



1. Lean the template against the wall.



2. Make sure to level the template.



3. Use pencil to mark a hole

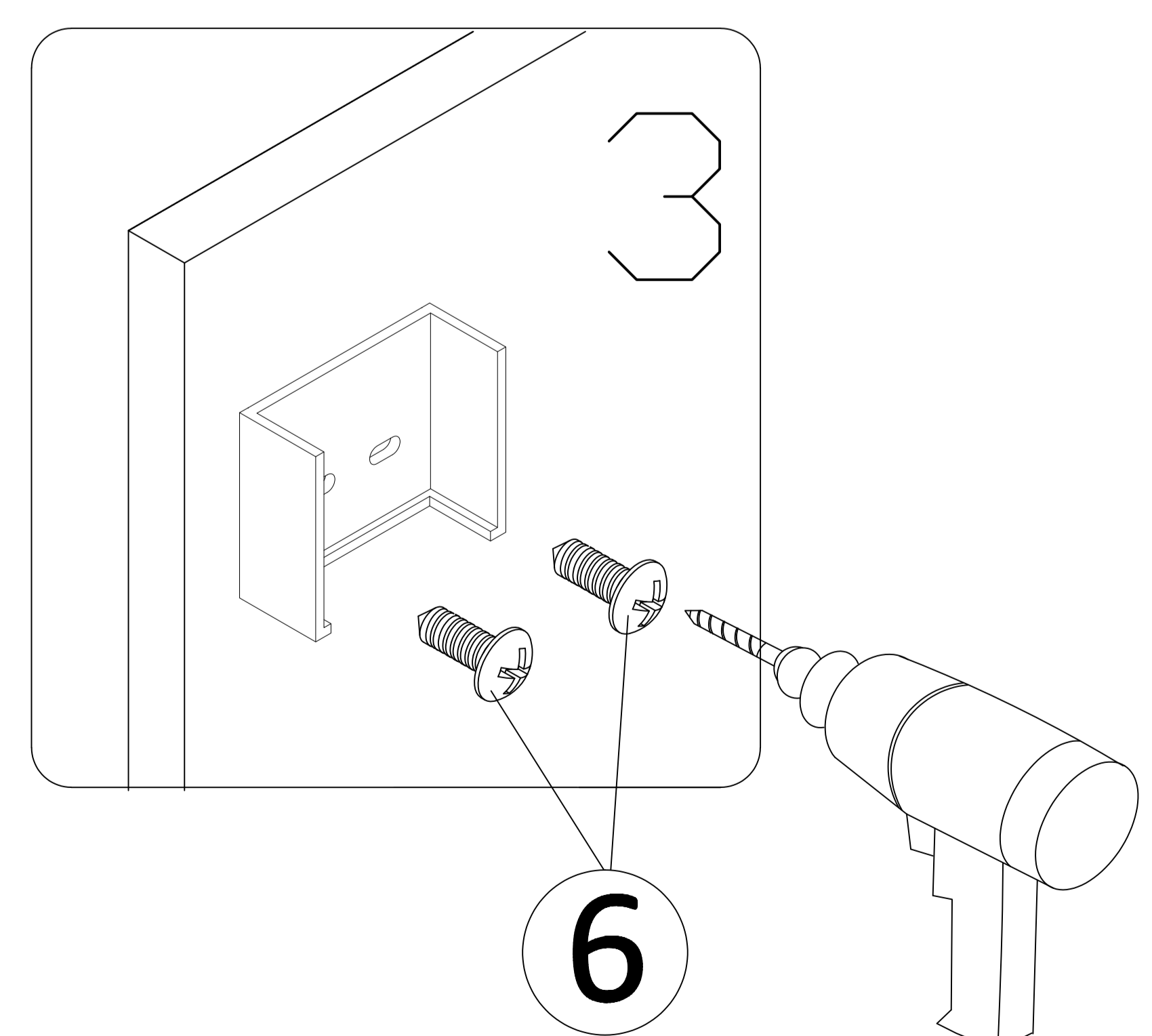
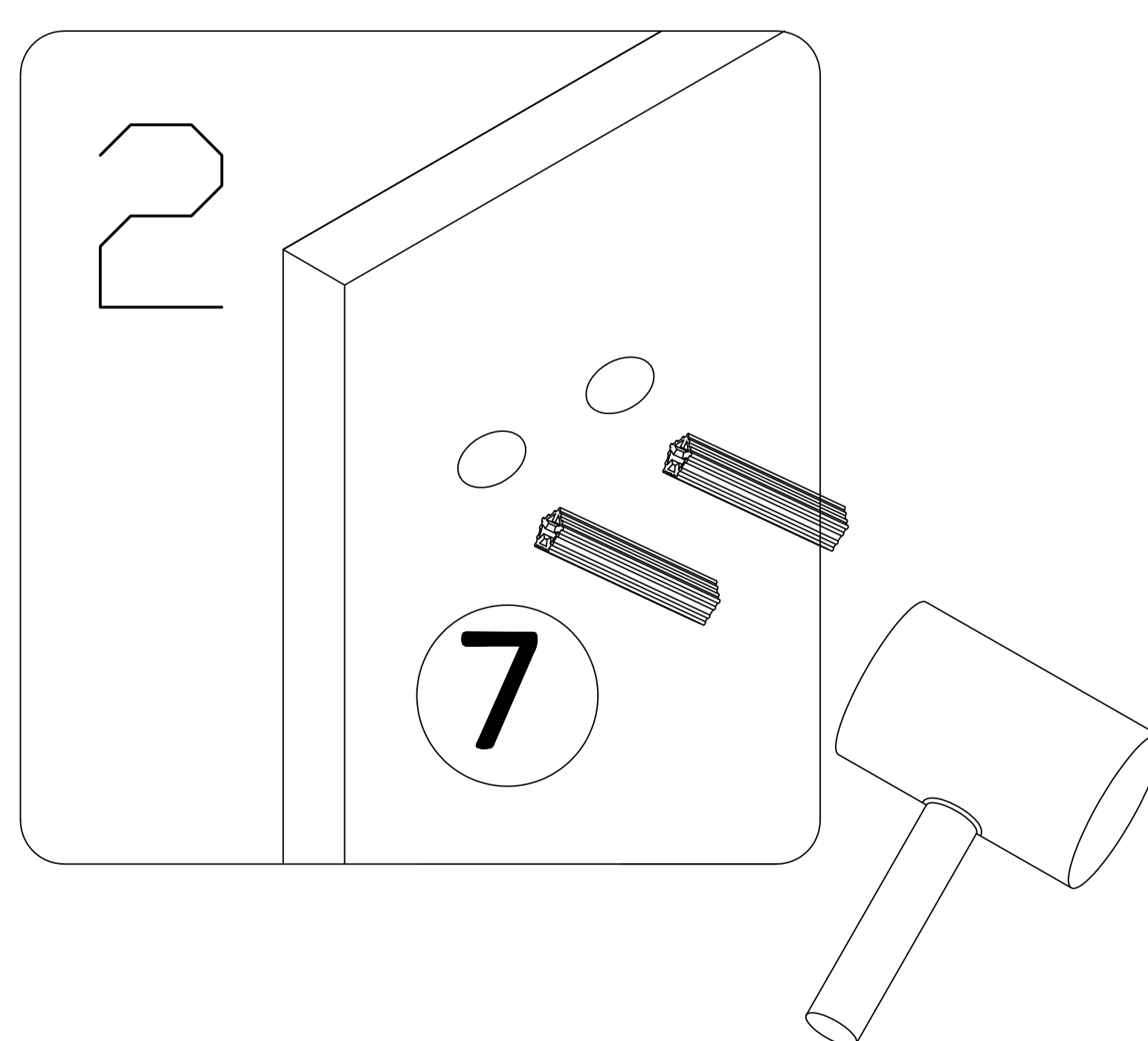
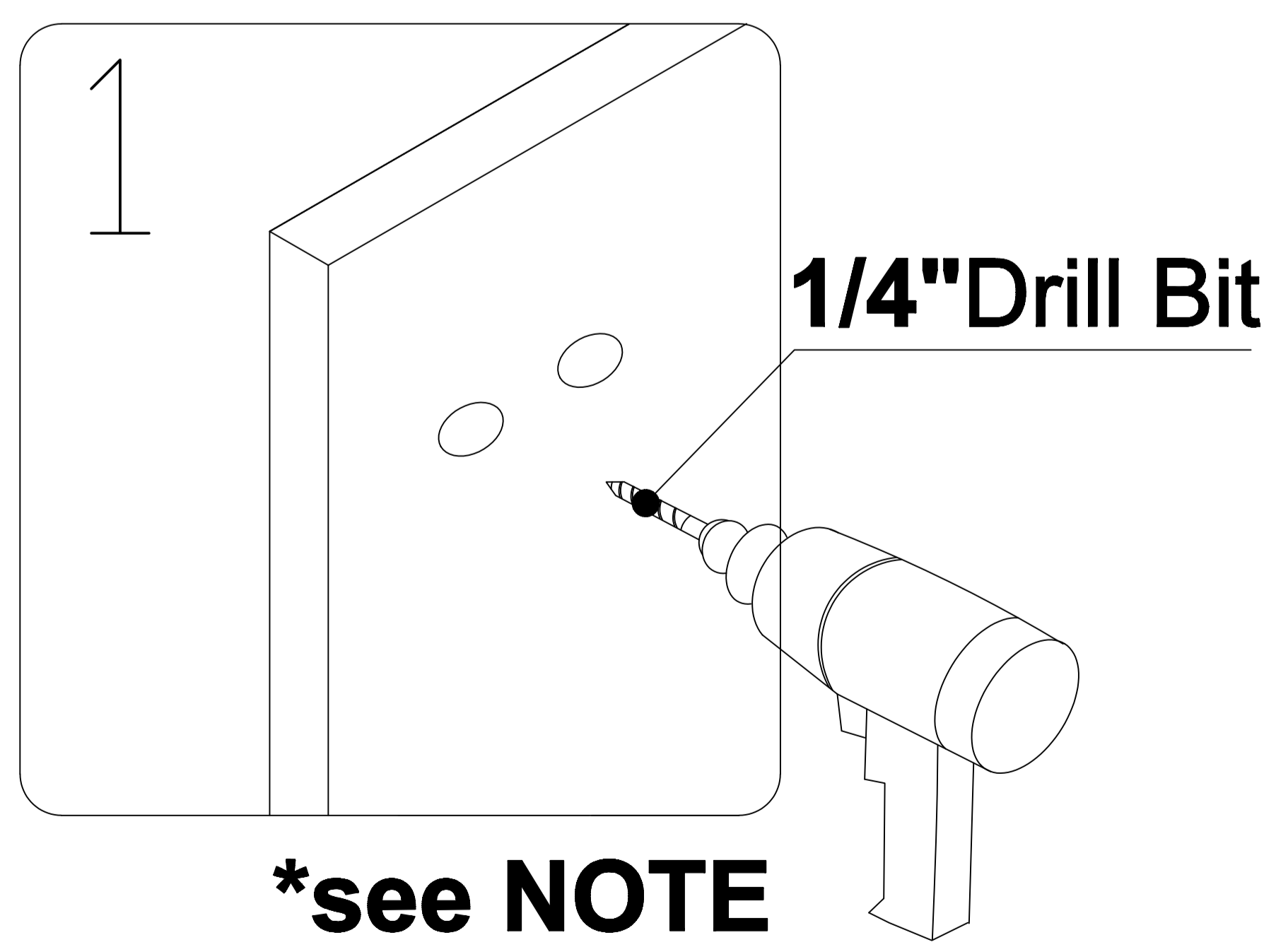
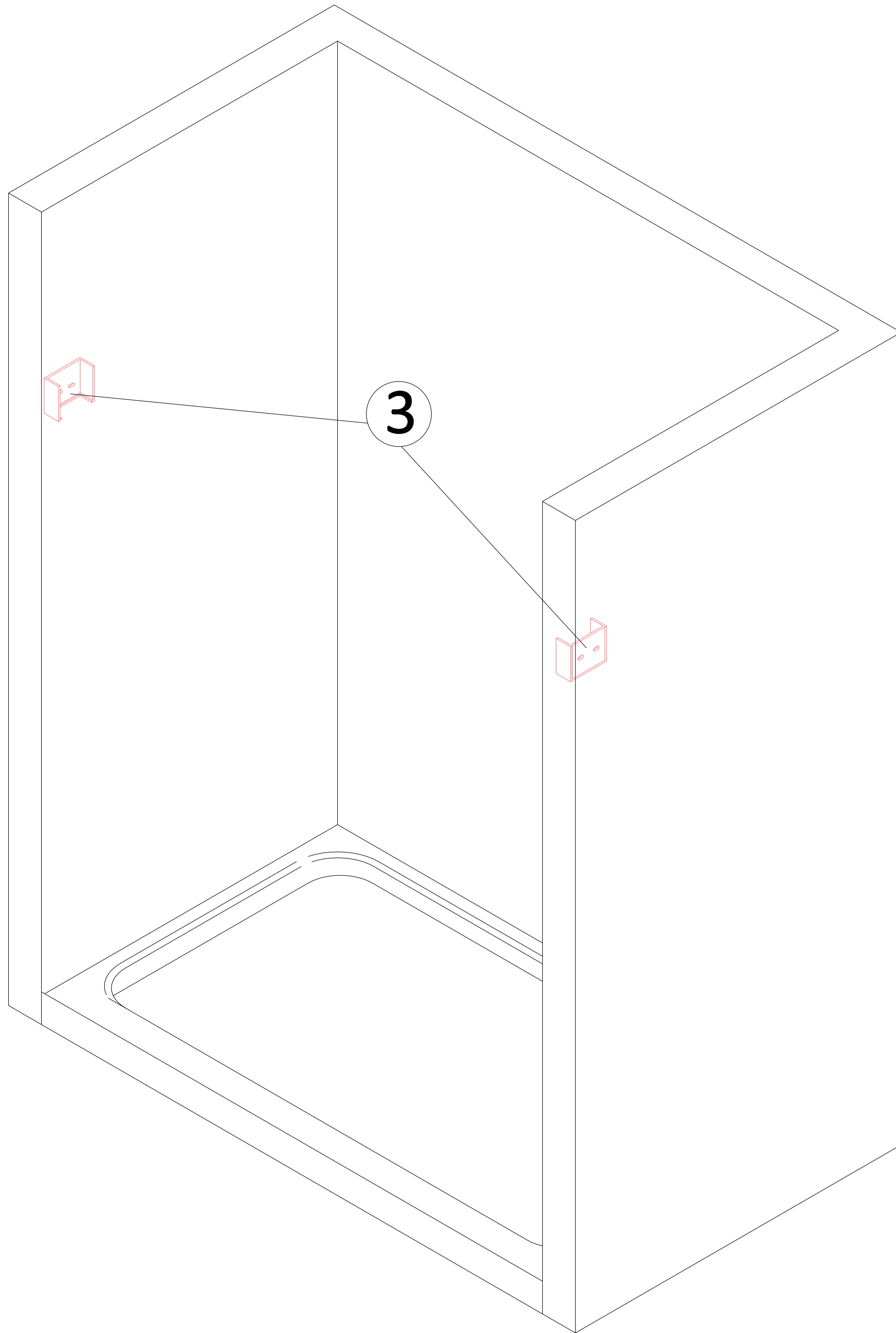


4. Drill the hole at the marked location.

# STEP 4

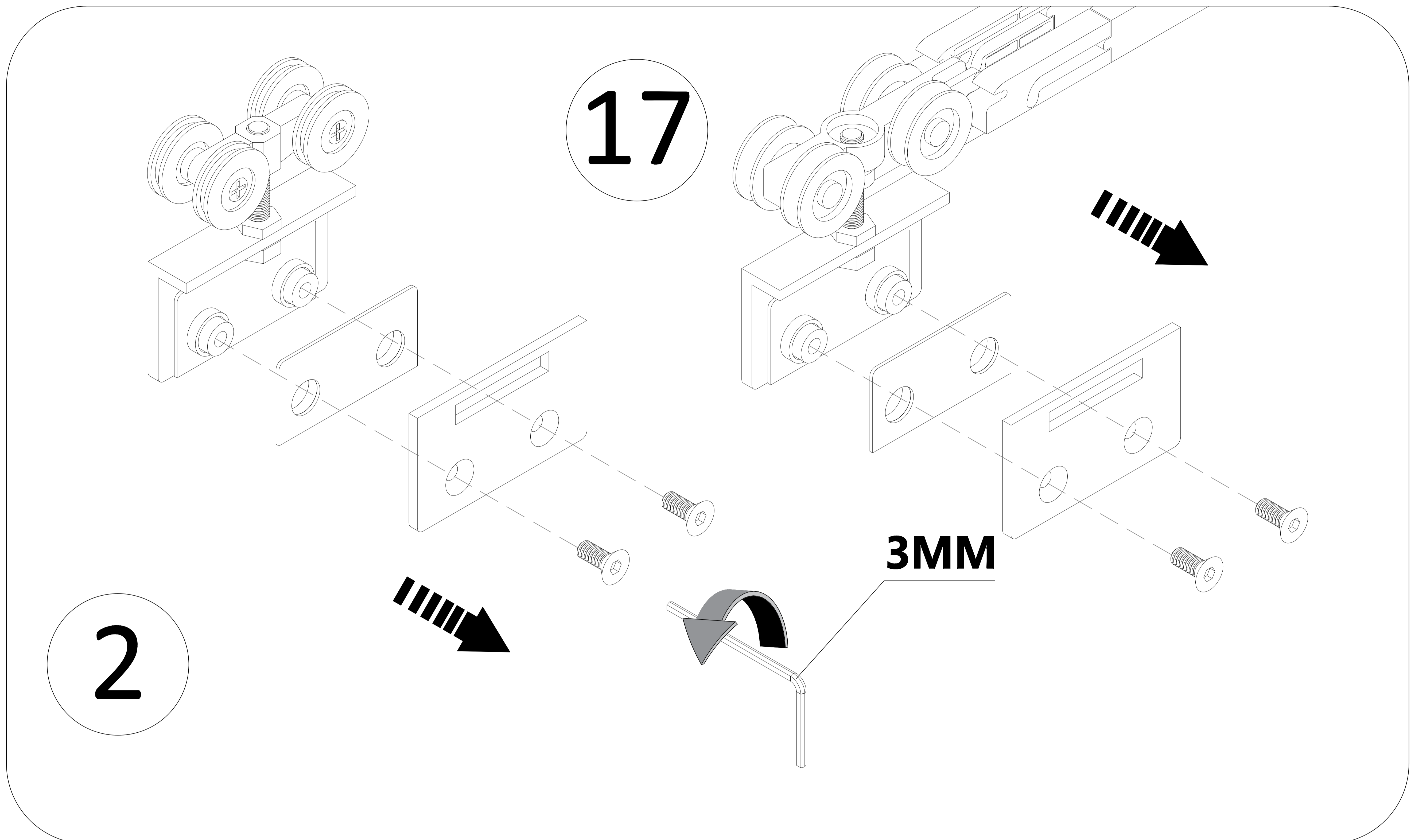
## Install Rail Wall Connector (3)

1. Drill the holes on the wall.
2. Hammer the Wall anchor  $\varnothing 6$  (7) into the hole.
3. Secure Rail Wall Connector (3) onto the wall with ST4.0X40 screw (6)

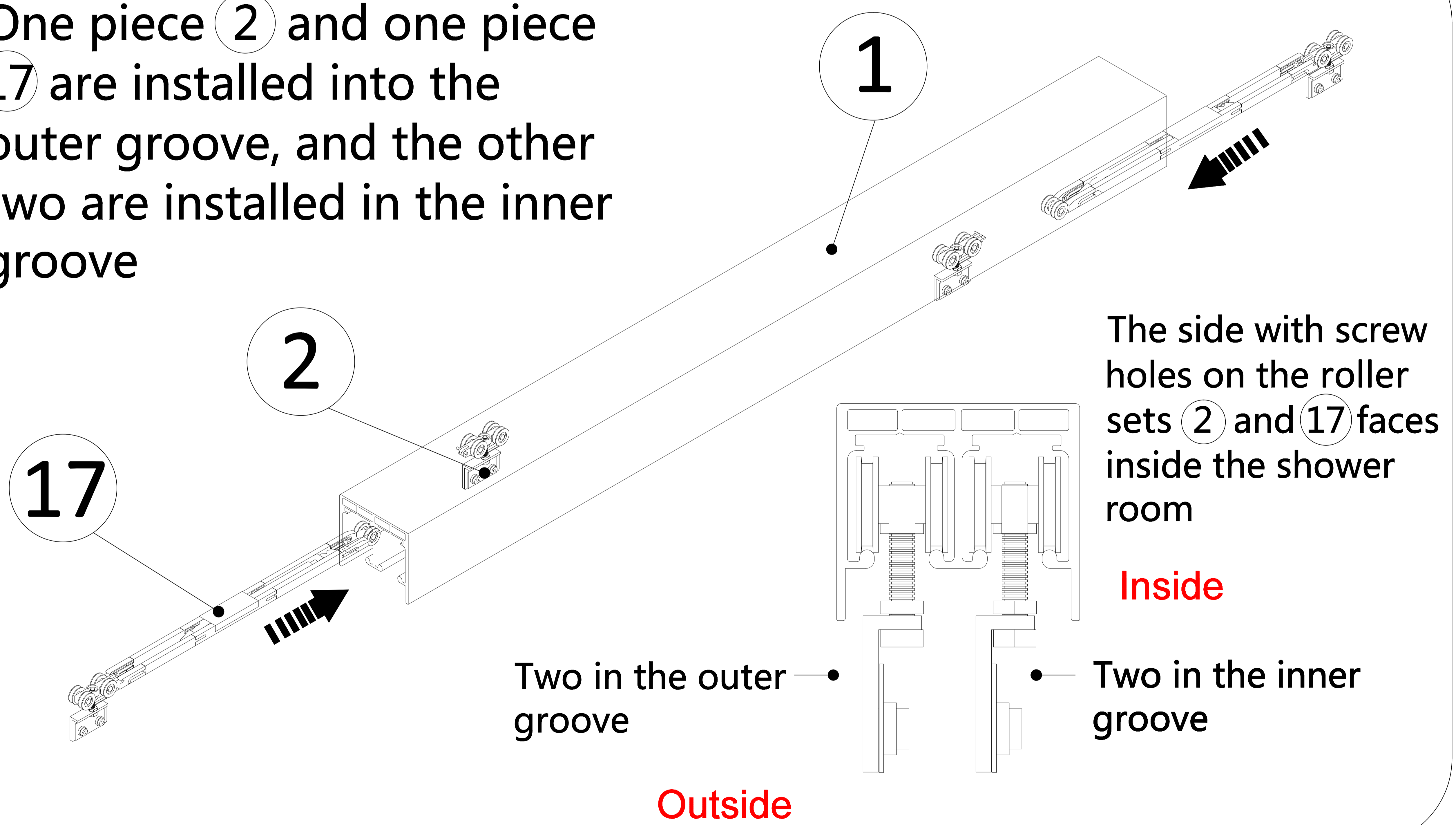


# STEP 5

Install roller set ② and Pulley with buffering function ⑬ on the top rail ①

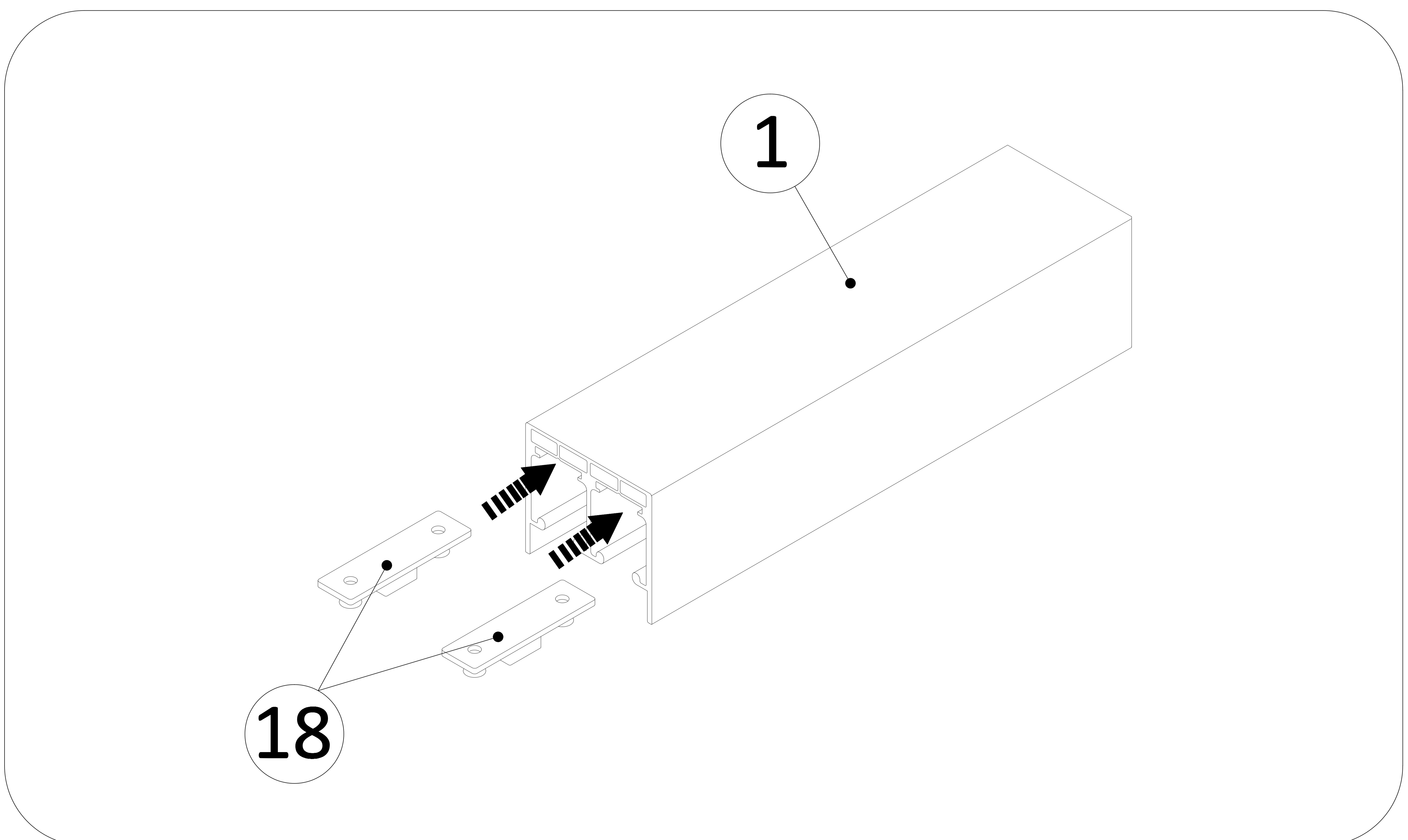
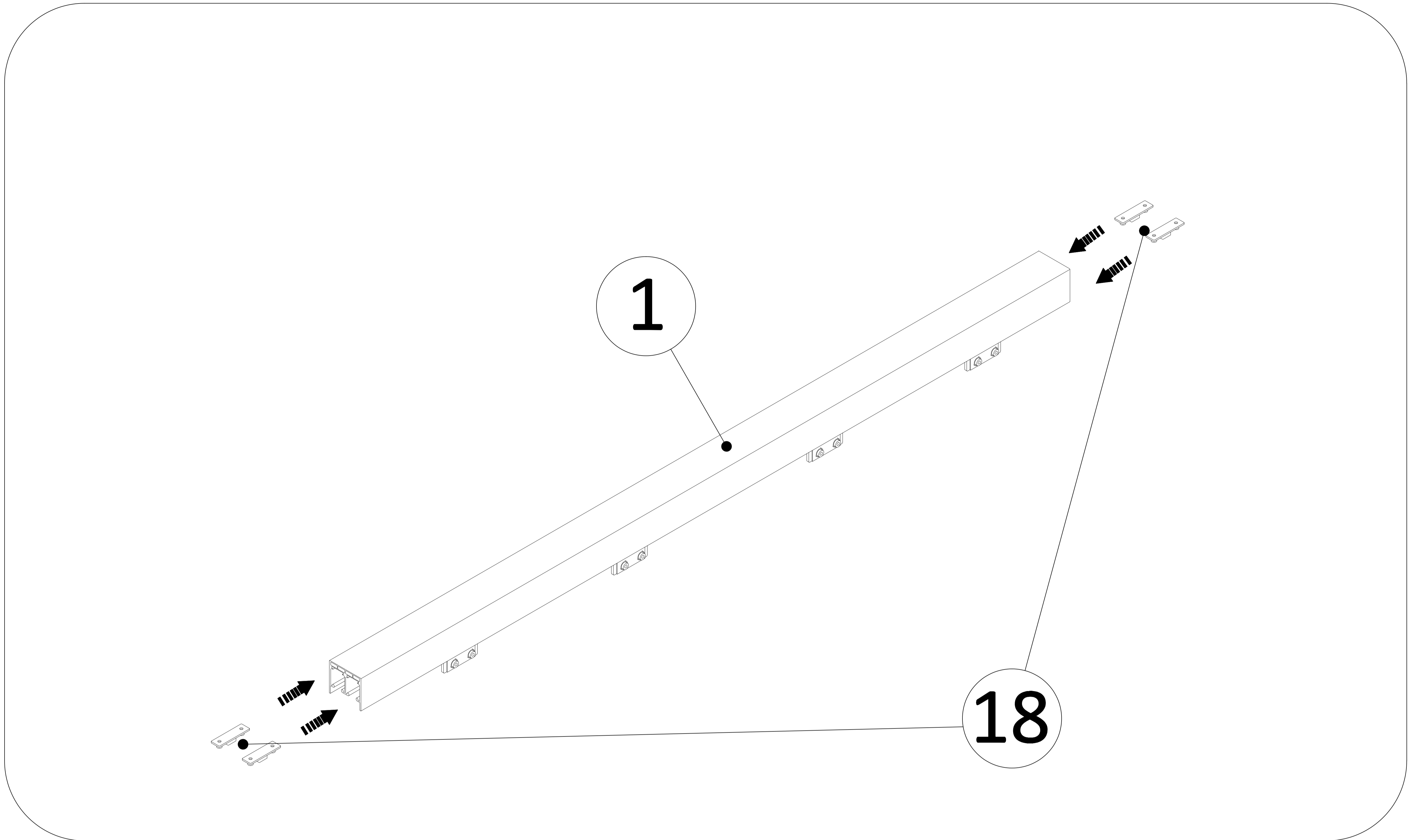


One piece ② and one piece ⑬ are installed into the outer groove, and the other two are installed in the inner groove



# STEP 6

Install the Locator 18 on the top rail 1



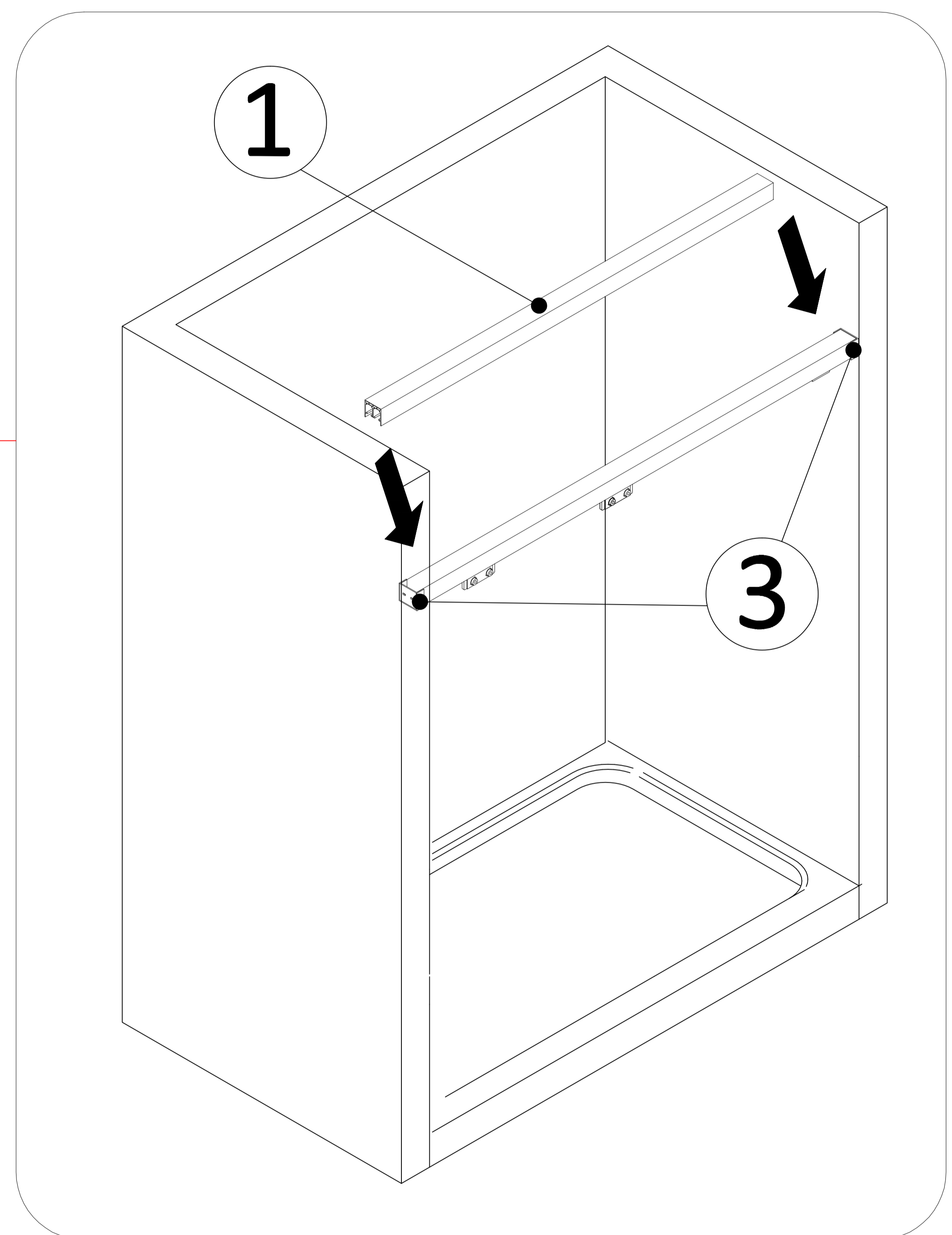
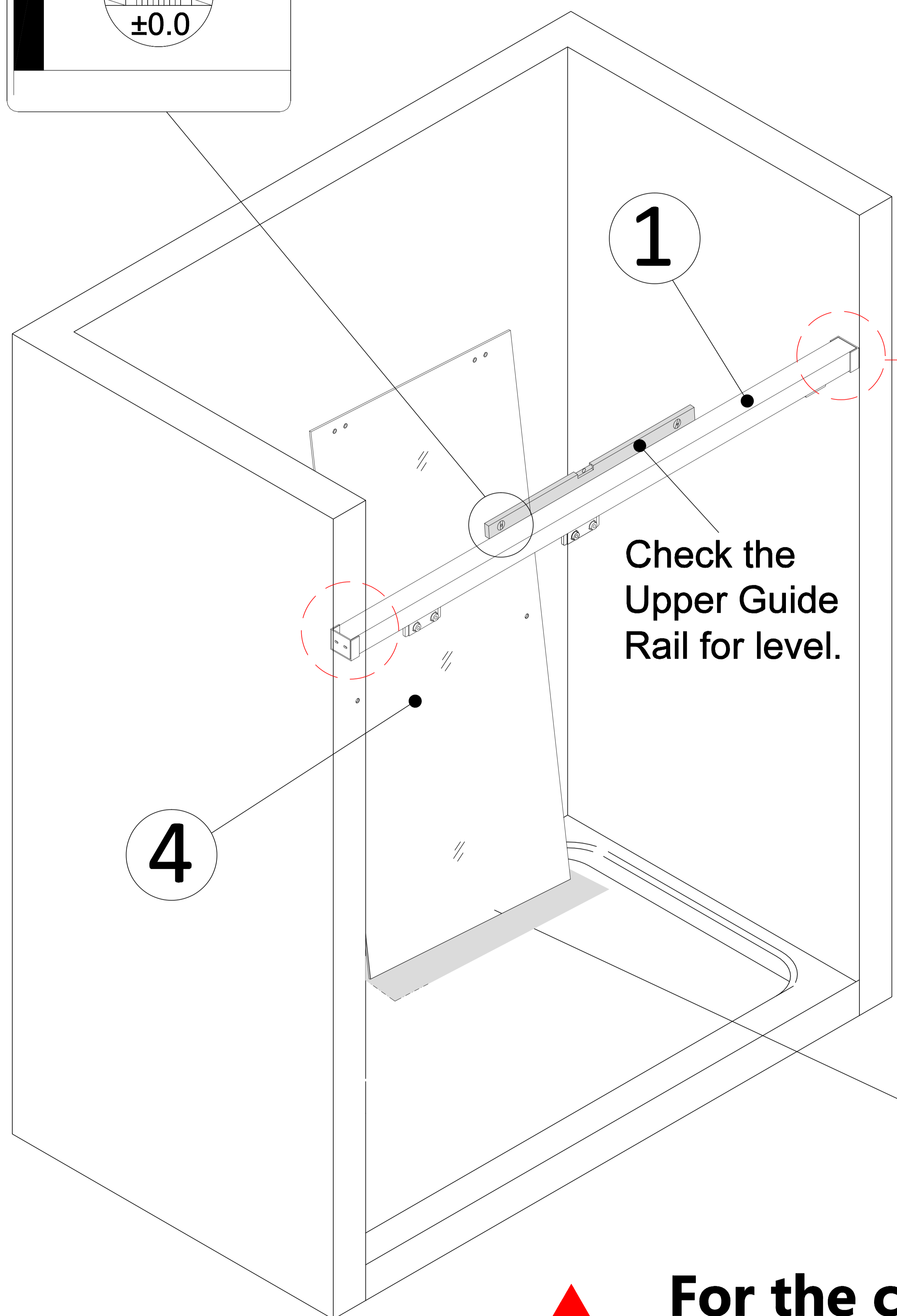
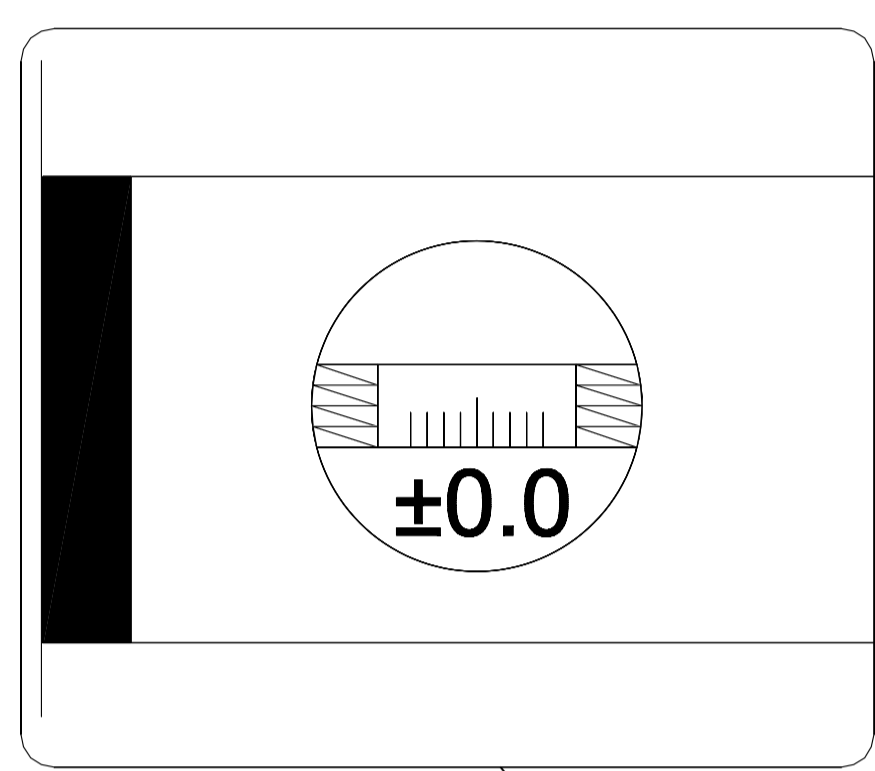
# STEP 7

## Upper Top Rail ① Installation

NOTE

Move one piece glass panel ④ into the shower place before install the Upper Top Rail ①

Insert the Upper Top Rail ① into the Rail Wall Connector ③

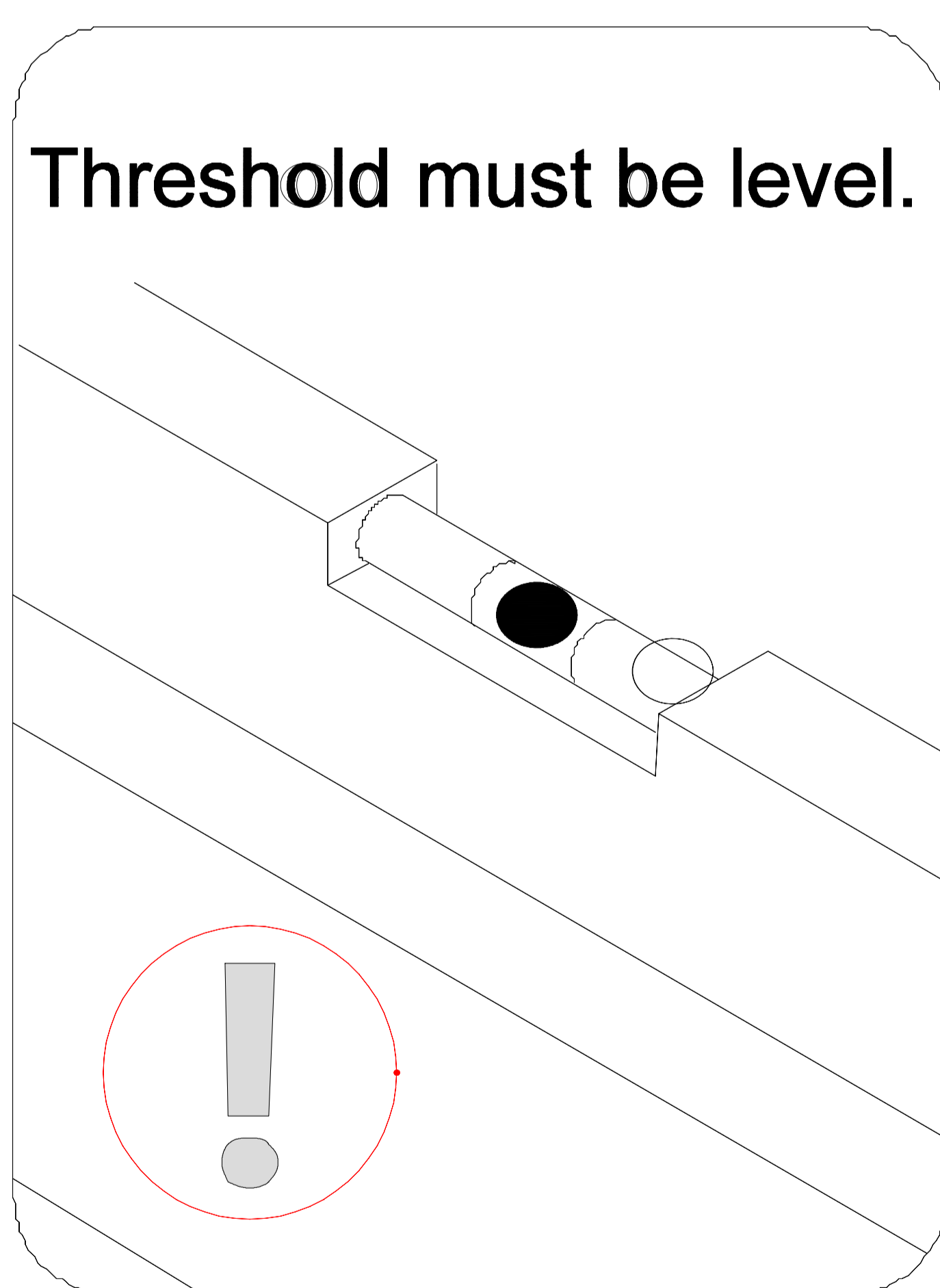
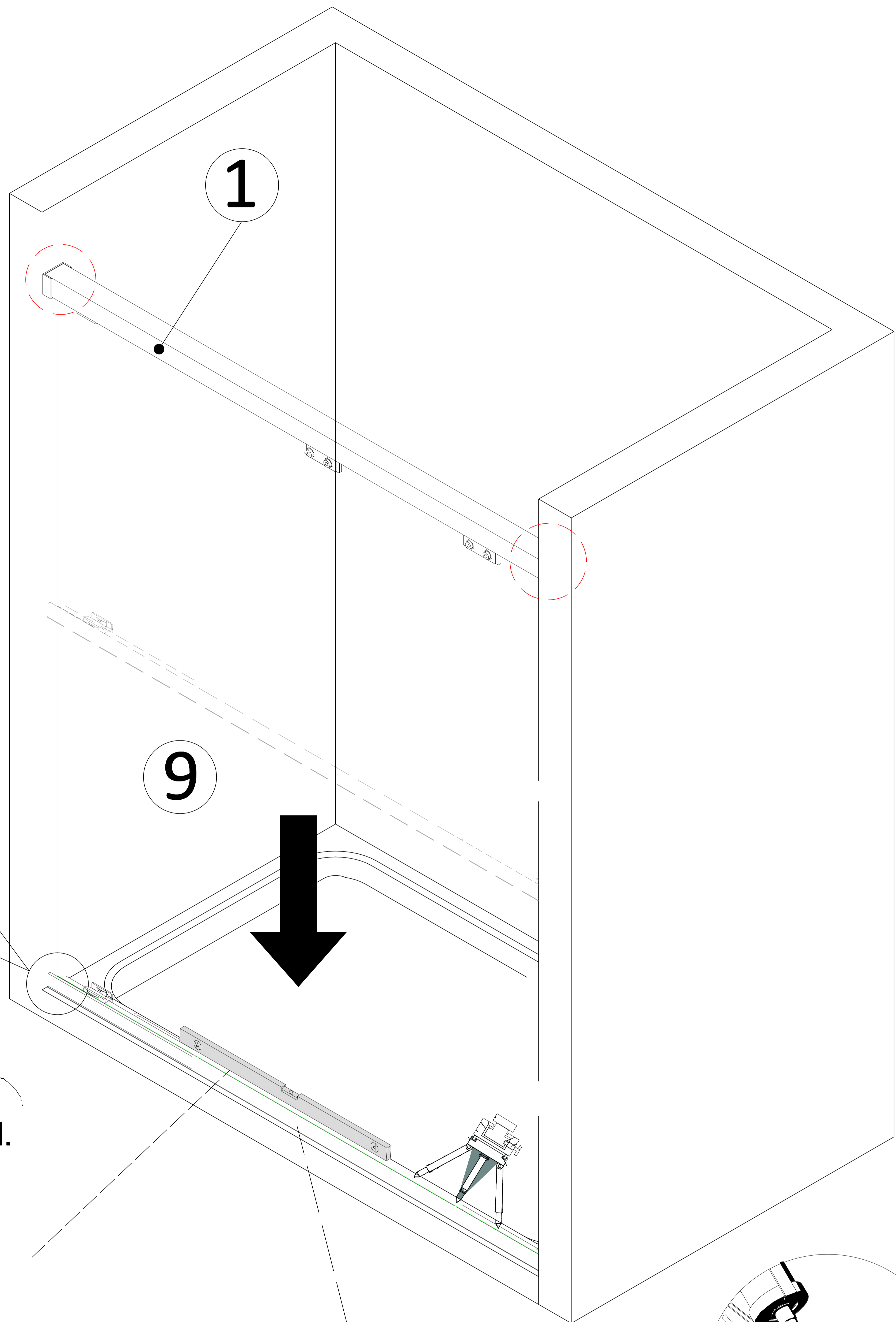
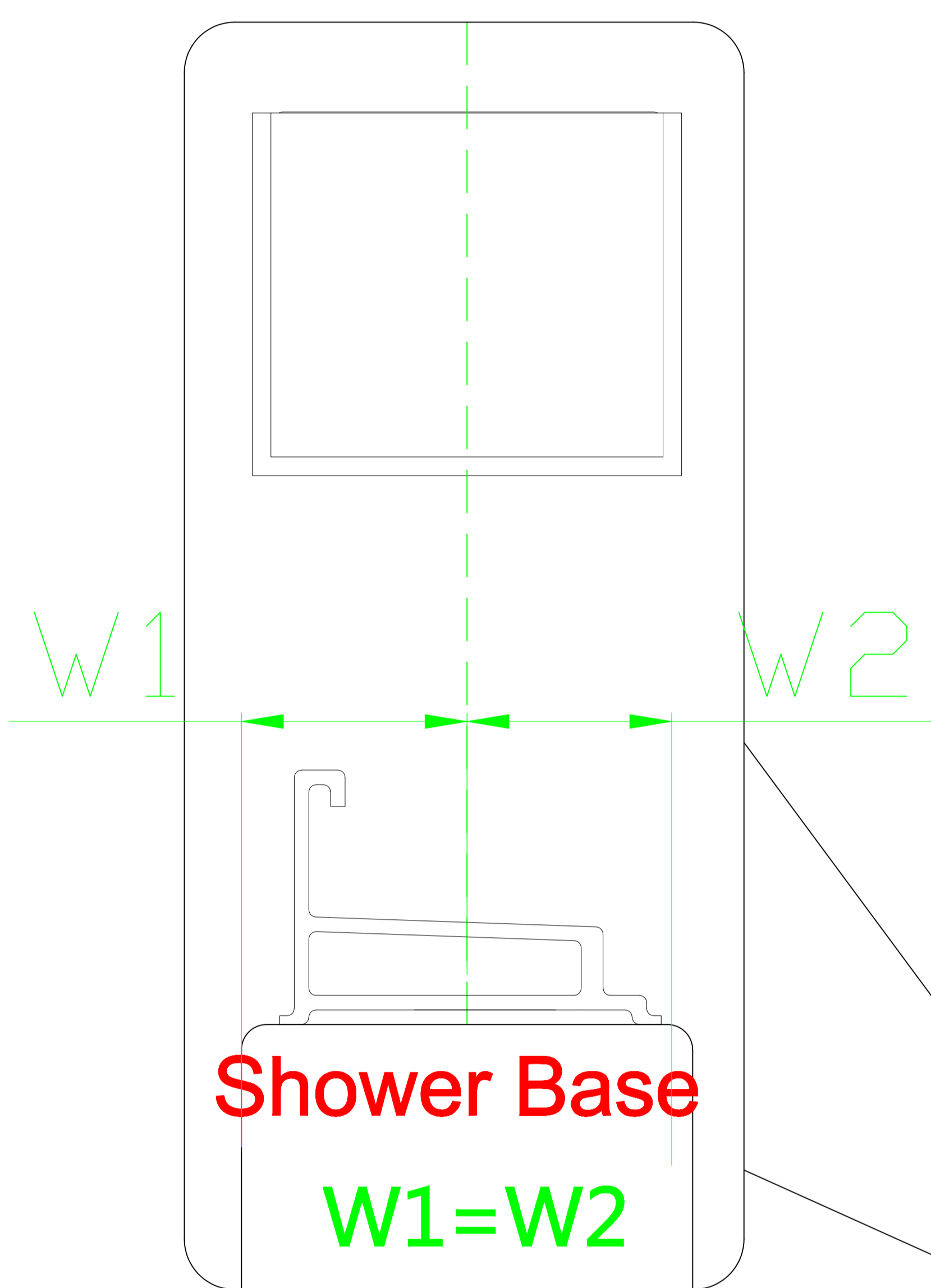


**For the convenience of installing glass in the future, it is recommended to put a piece of glass into the Shower area first, and be careful not to bump the glass! Please use something soft to cushion it**

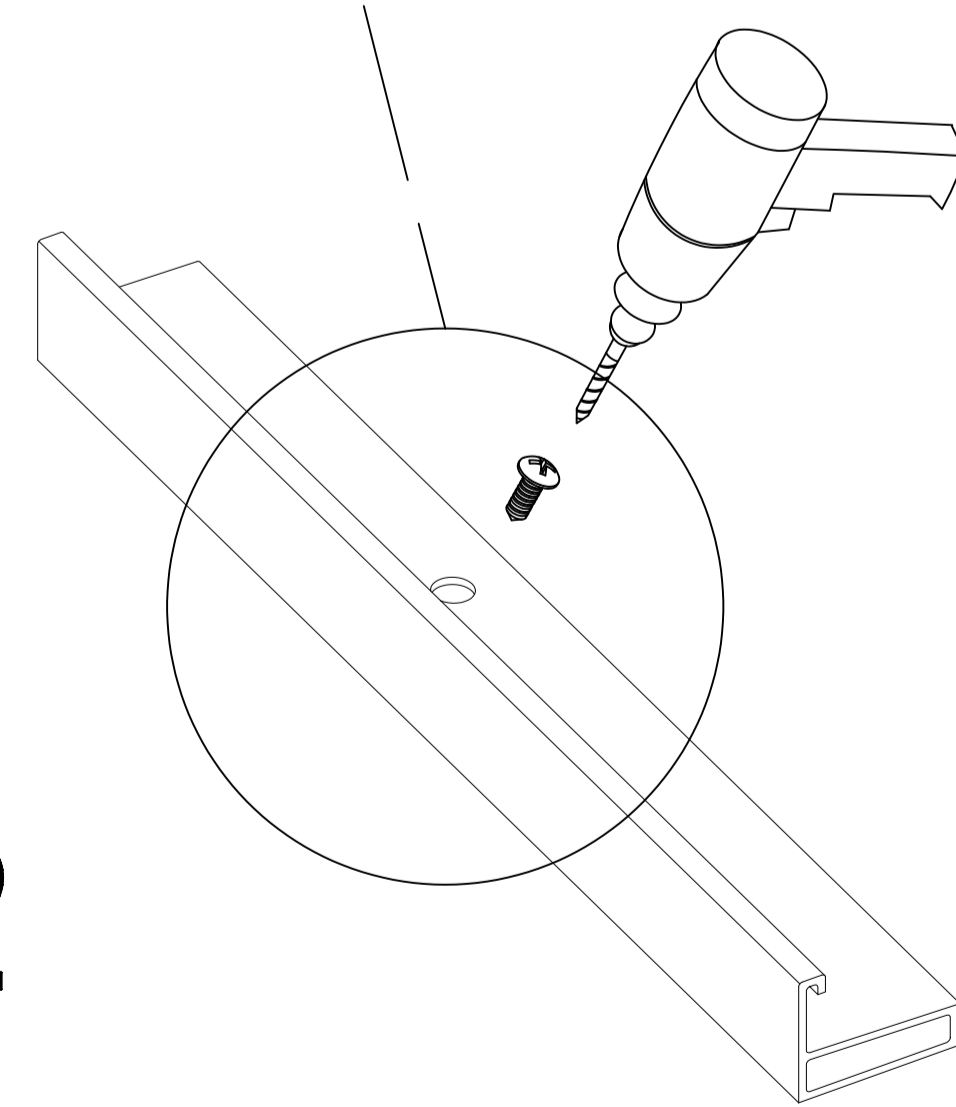
# STEP 8

Install Bottom Rail 9. Threshold must be level.

Please use a spirit level to ensure that the center of the bottom rail 9 is aligned with the center of the Top Rail 1



Insert one piece ST4.0X12 screw 14 in the center

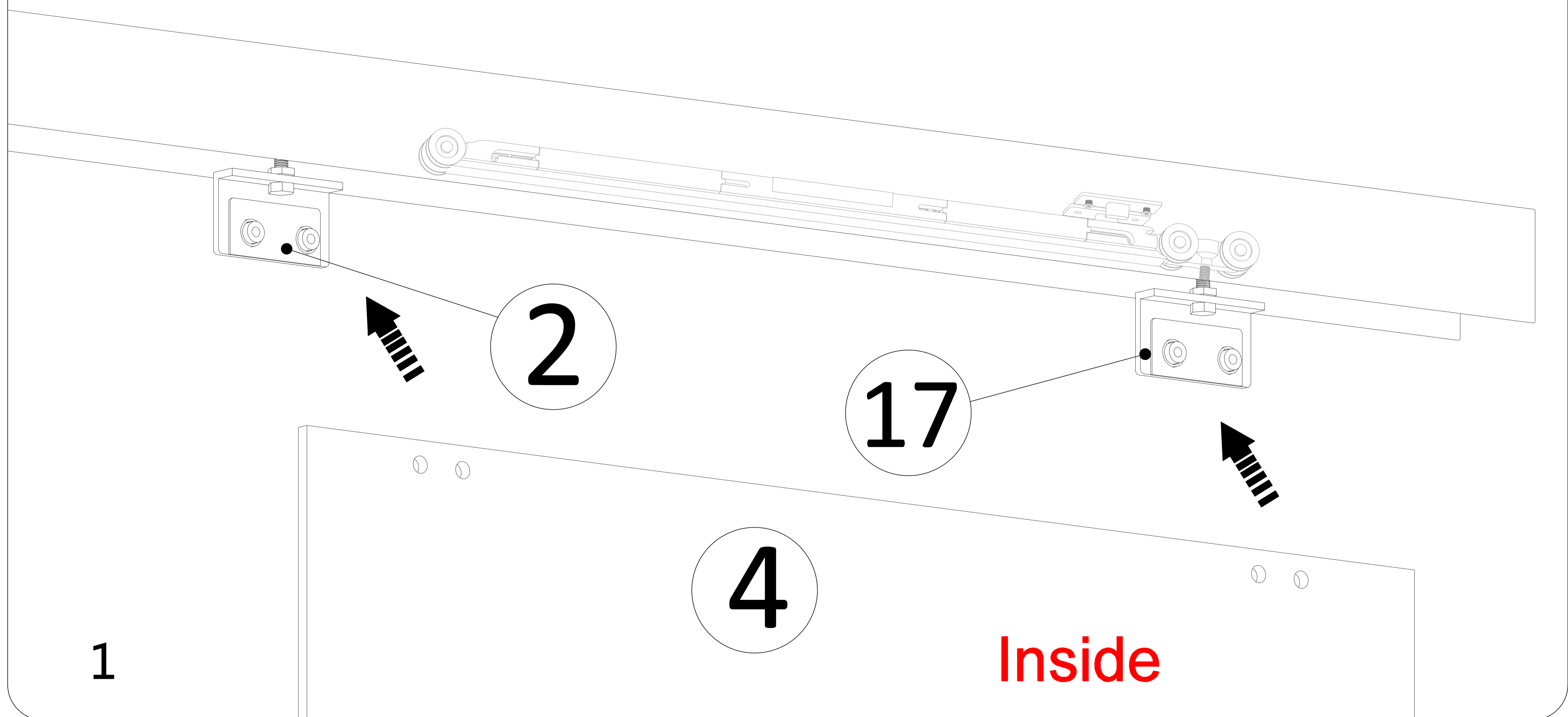


If it is not possible to drill on the **base bathtub or threshold**, please use glass gule to seal it at the bottom rail 9 of the fastener.

# STEP 9

## Install DOOR PANEL 4

Hang the door panel 4 on the corresponding Roller set 2 and 17



2

Outside

2

17

The side with screw holes on the 2 and 17 faces inside the shower room

3MM

Inside

Tighten the roller set 2 and 17 with a Allen key 10

The hole plugs 15 can be installed after adjusting the roller set 2

15

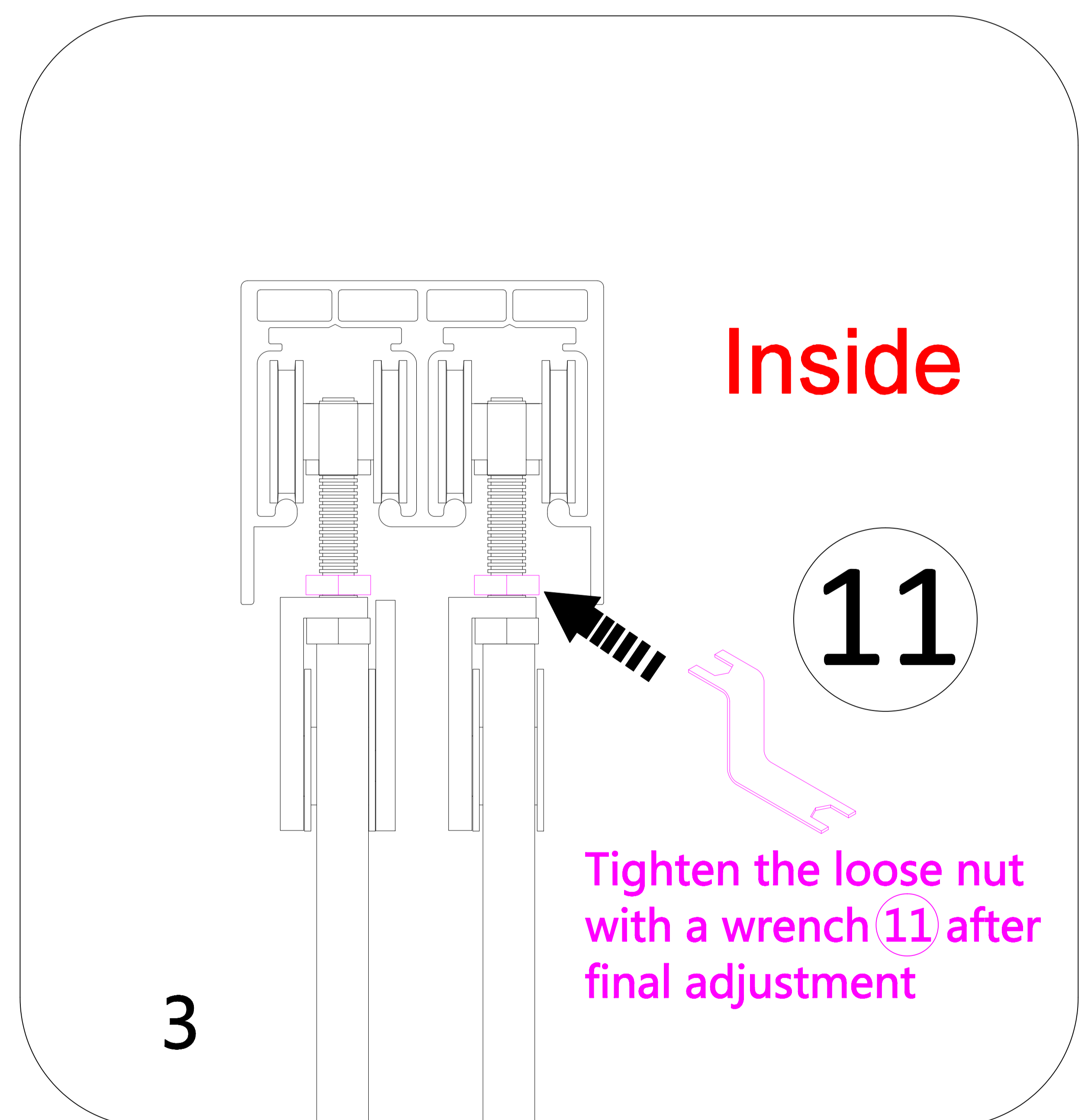
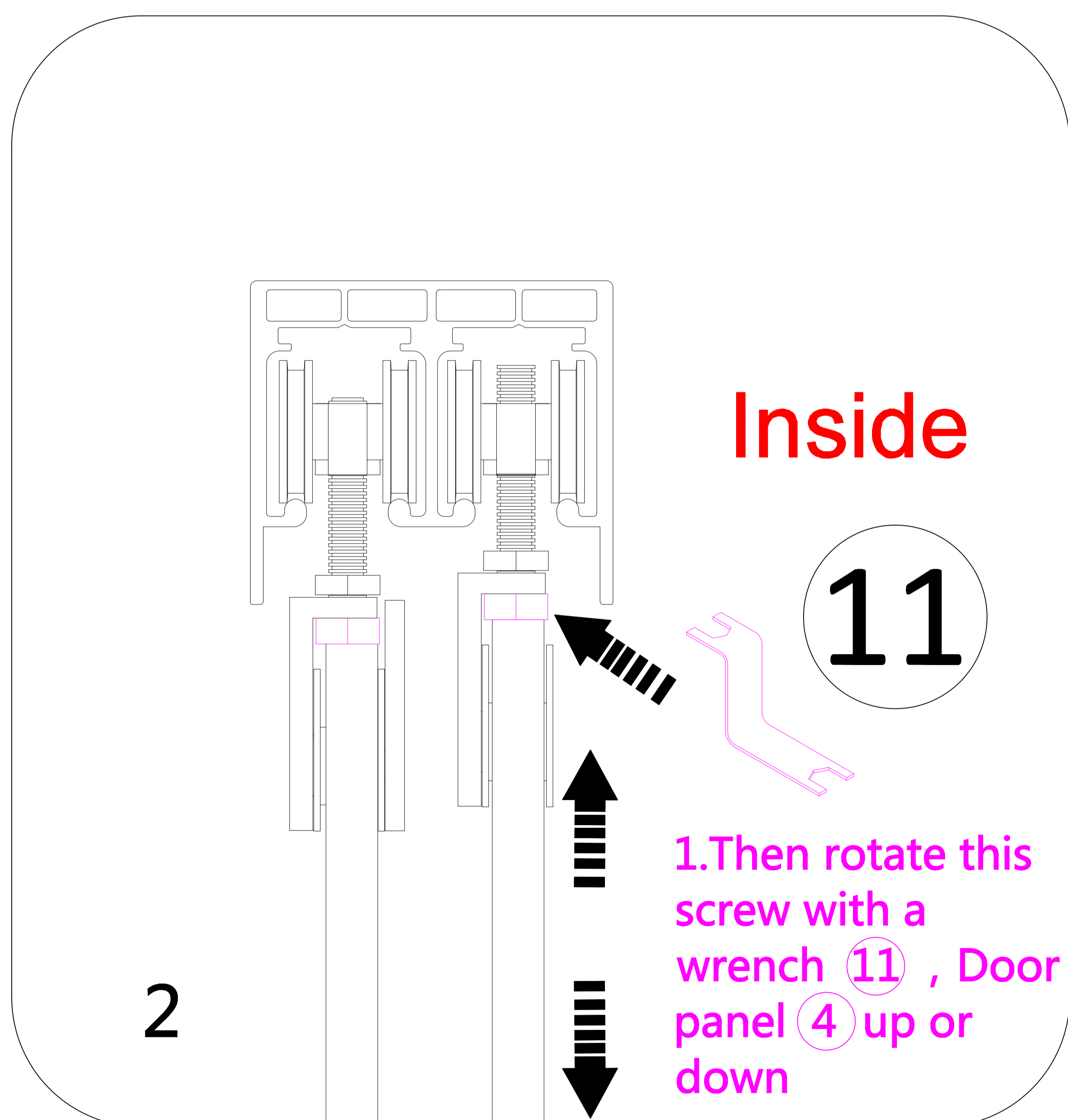
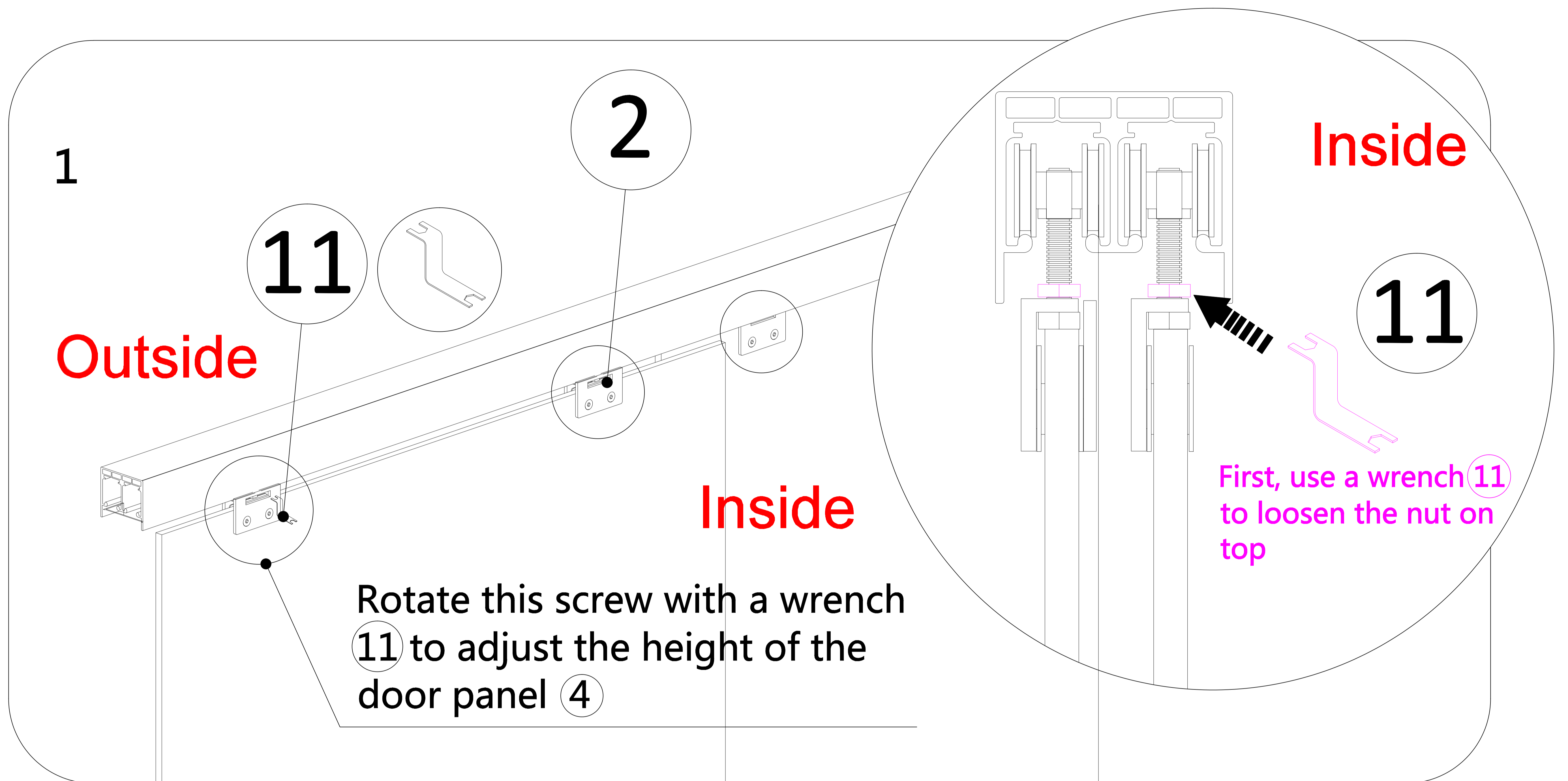
Inside

3

Install the other door panel 4 using the same method on the corresponding two roller set 2 and 17

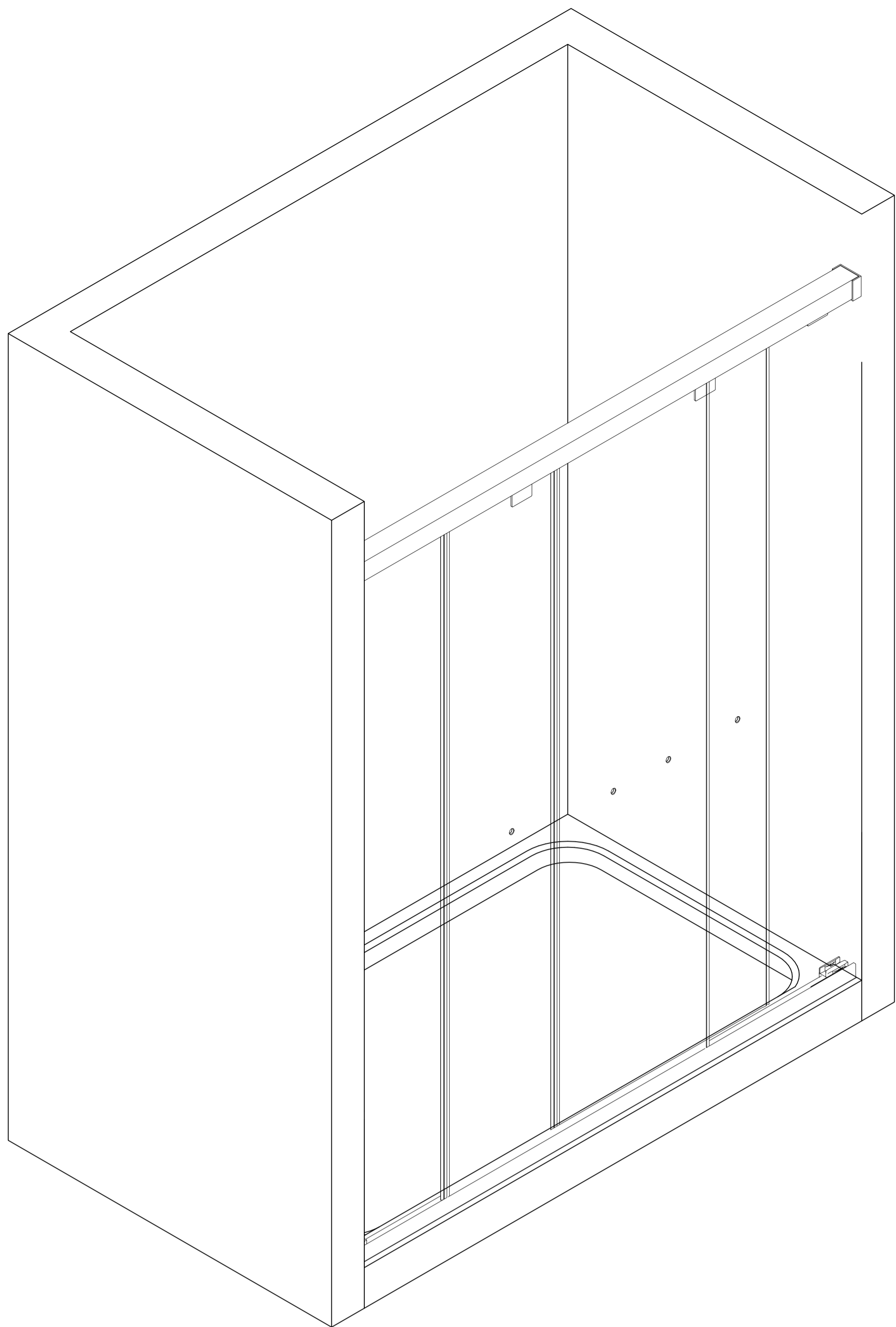
# STEP 10

Adjust the left and right height of the DOOR PANEL ④

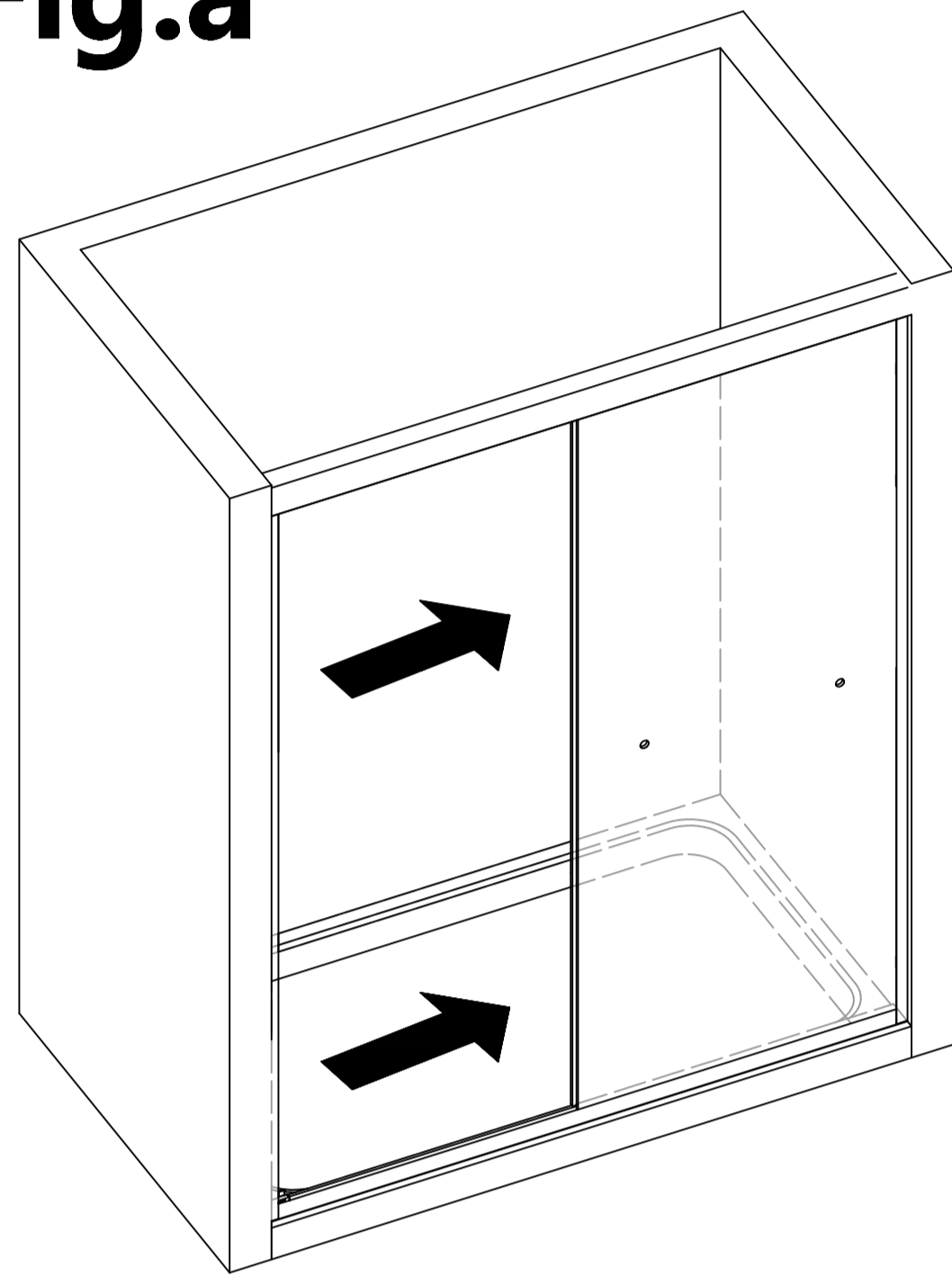


# STEP 11

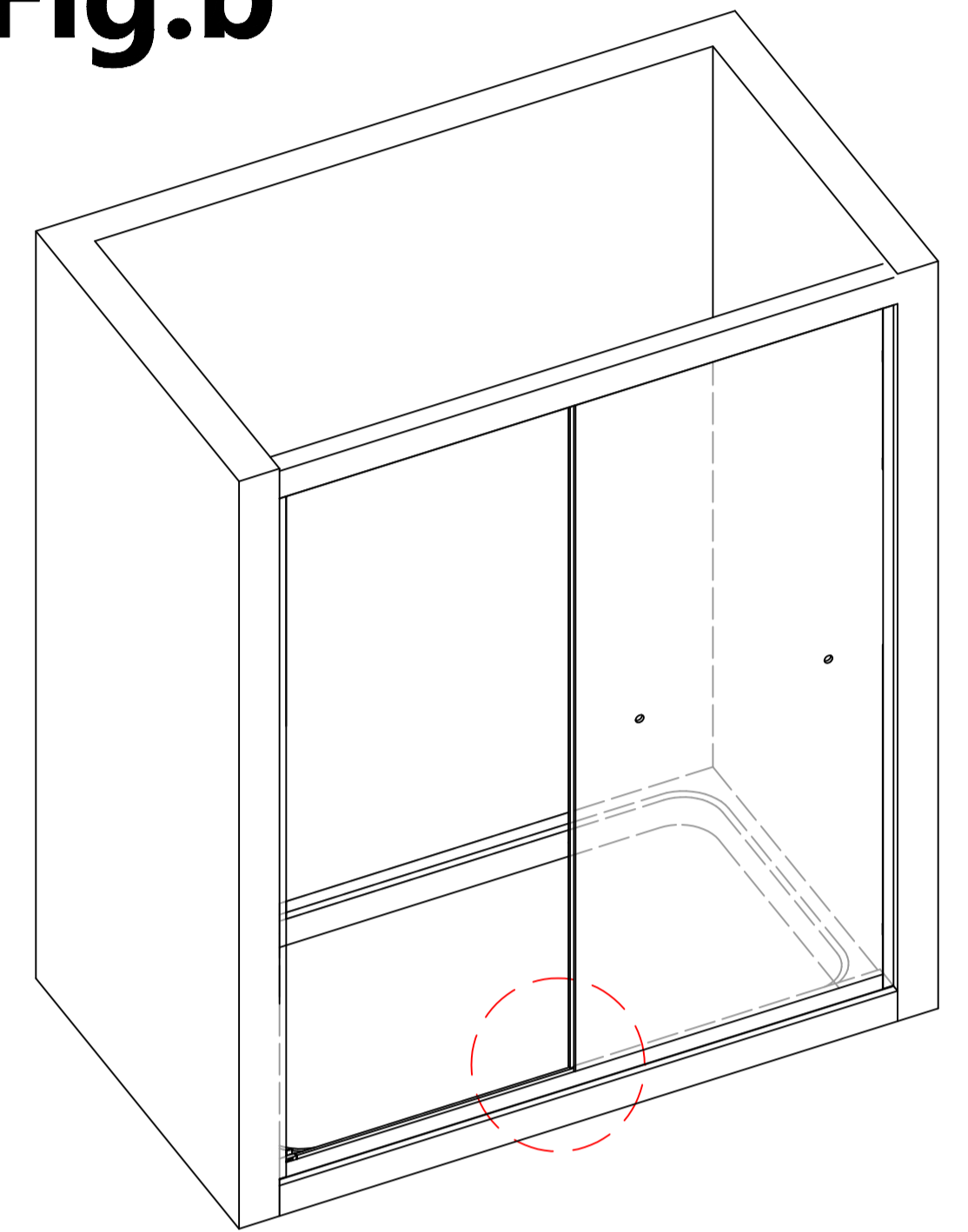
## Bottom guide 8 Installation



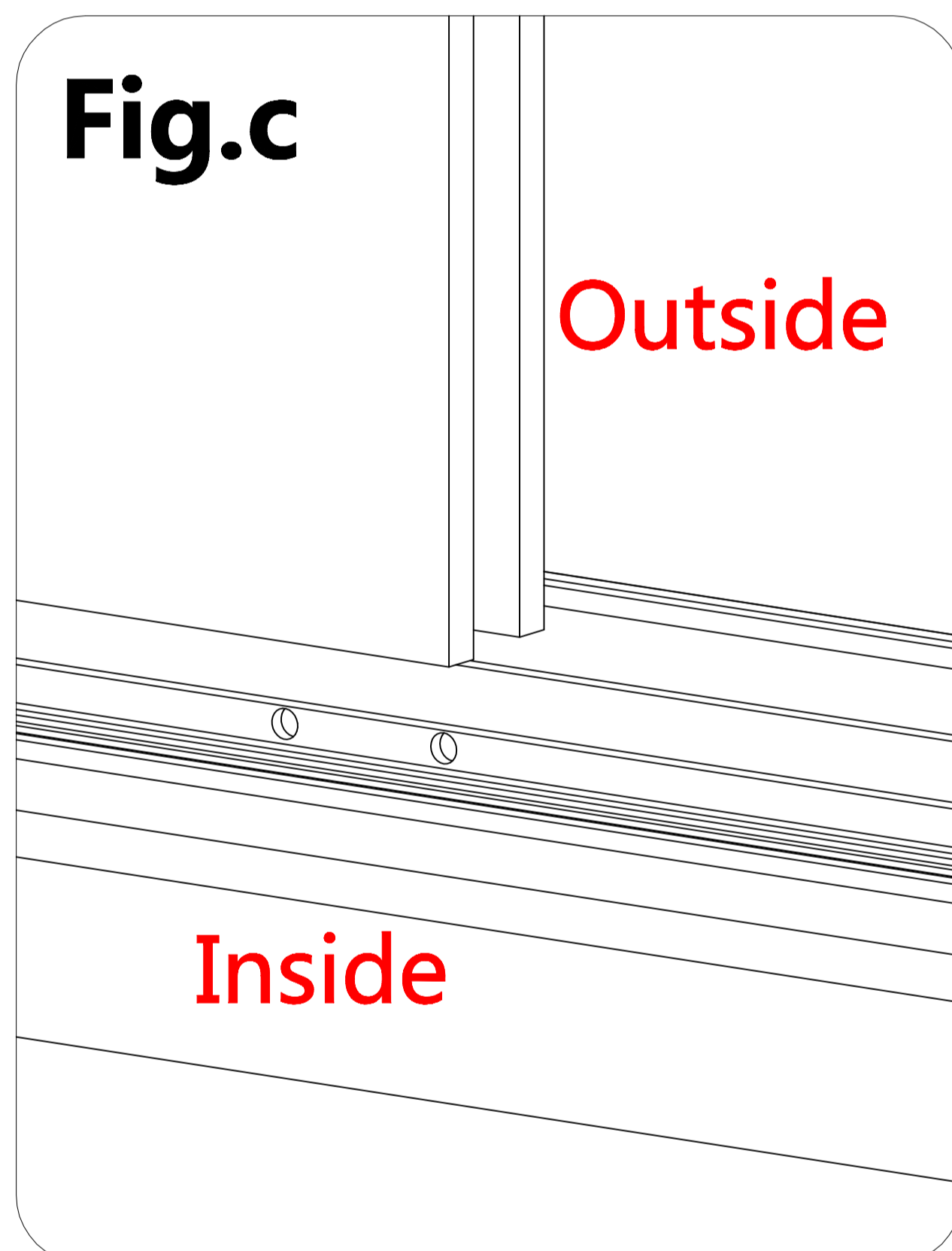
**Fig.a**



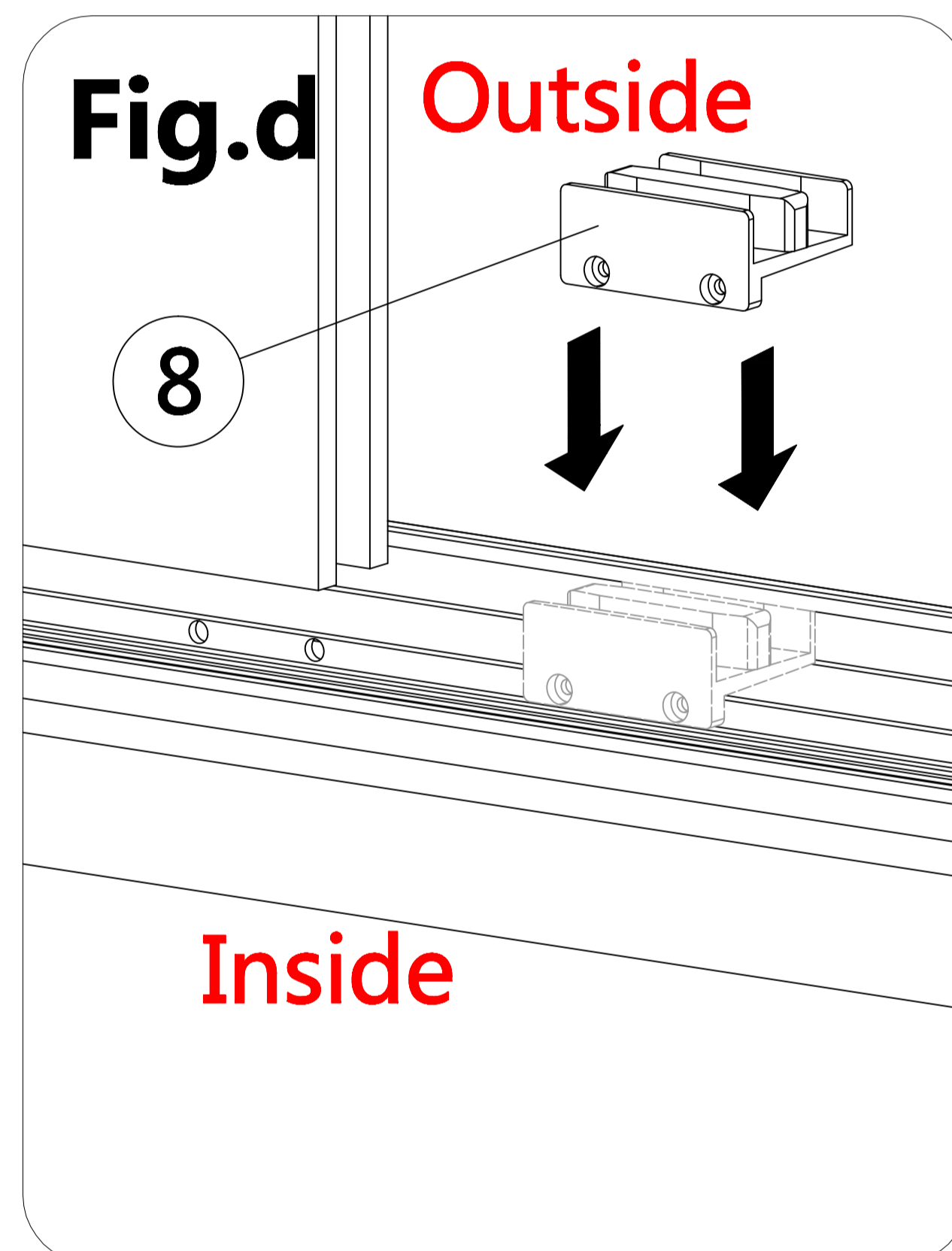
**Fig.b**



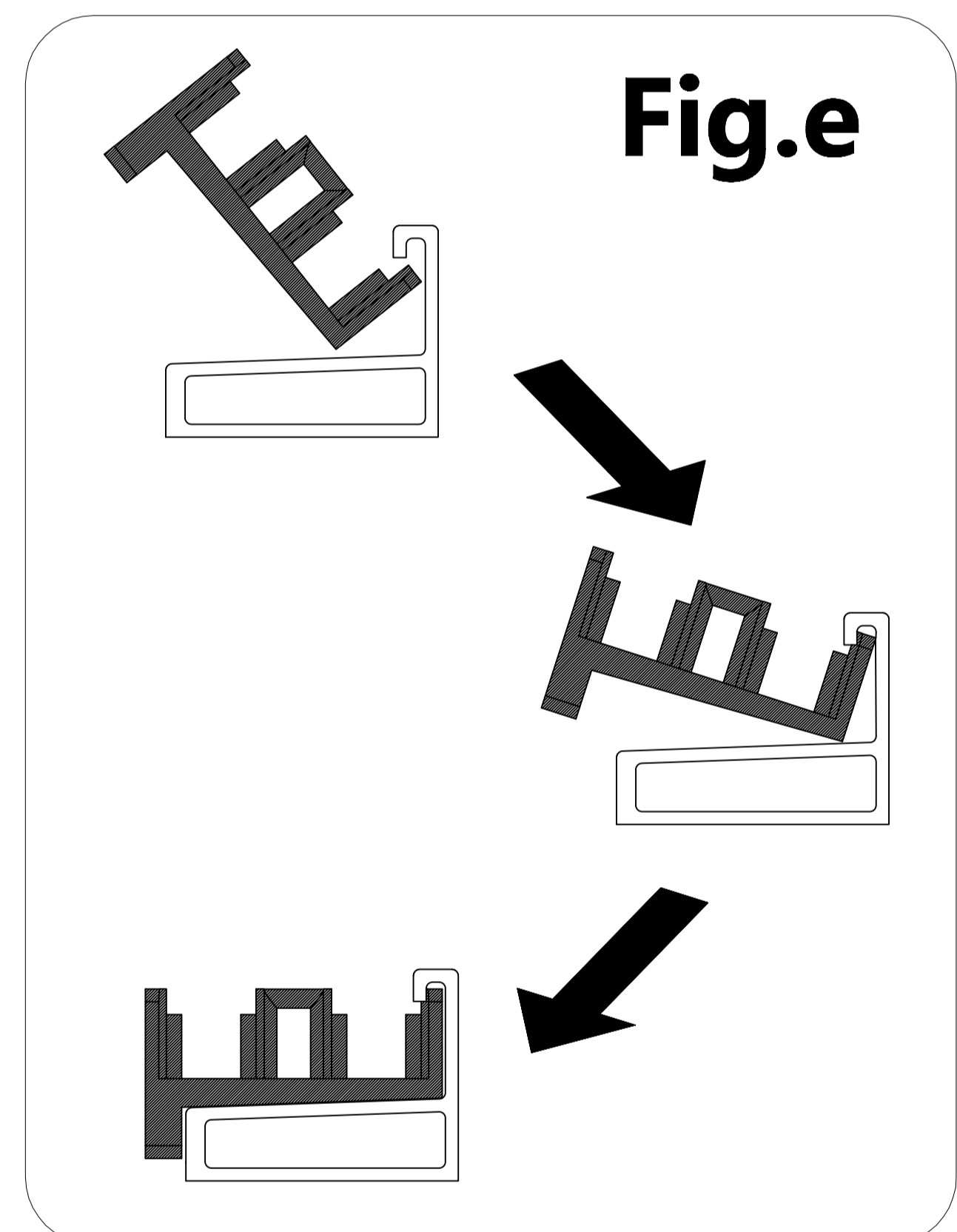
**Fig.c**



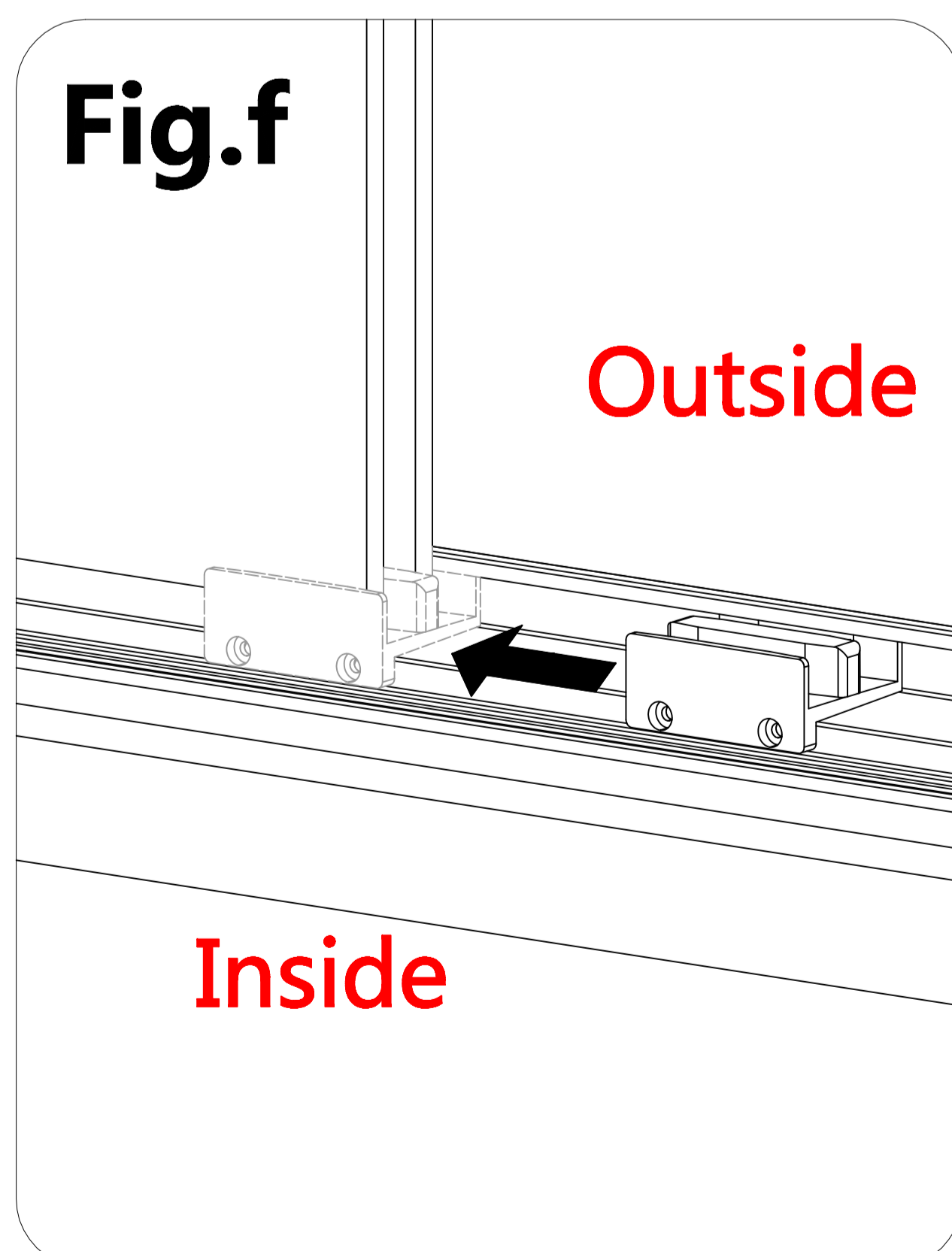
**Fig.d**



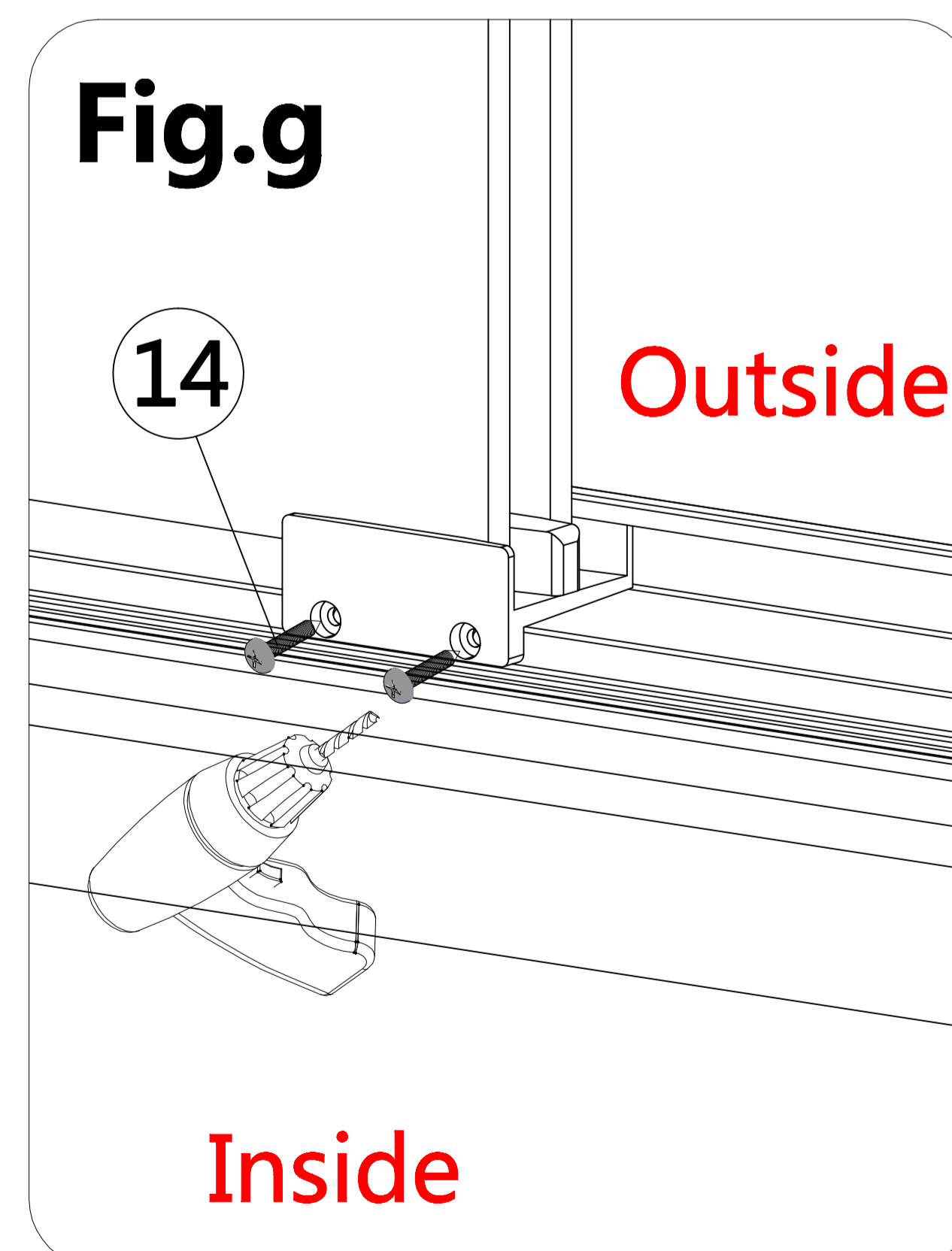
**Fig.e**



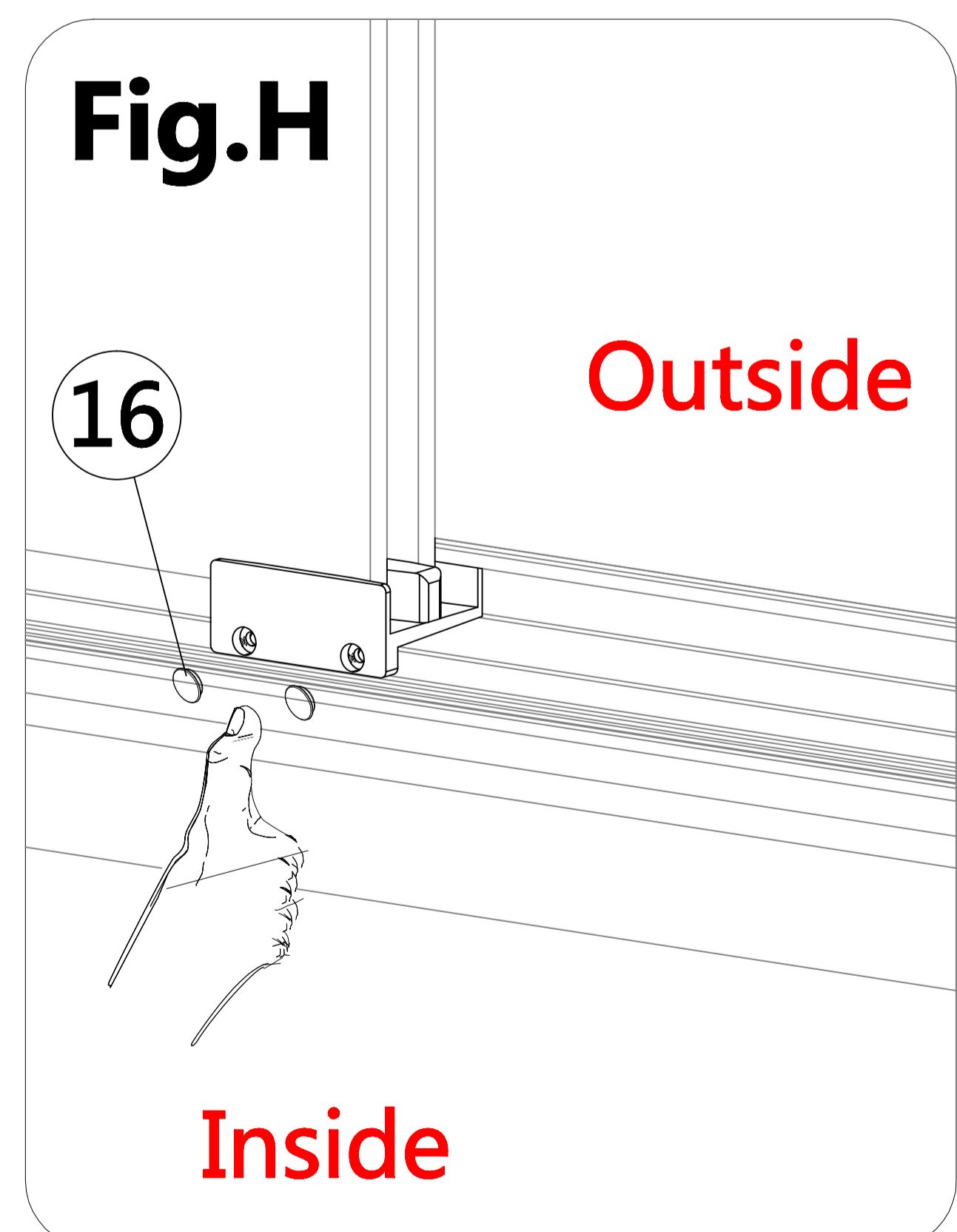
**Fig.f**



**Fig.g**



**Fig.H**

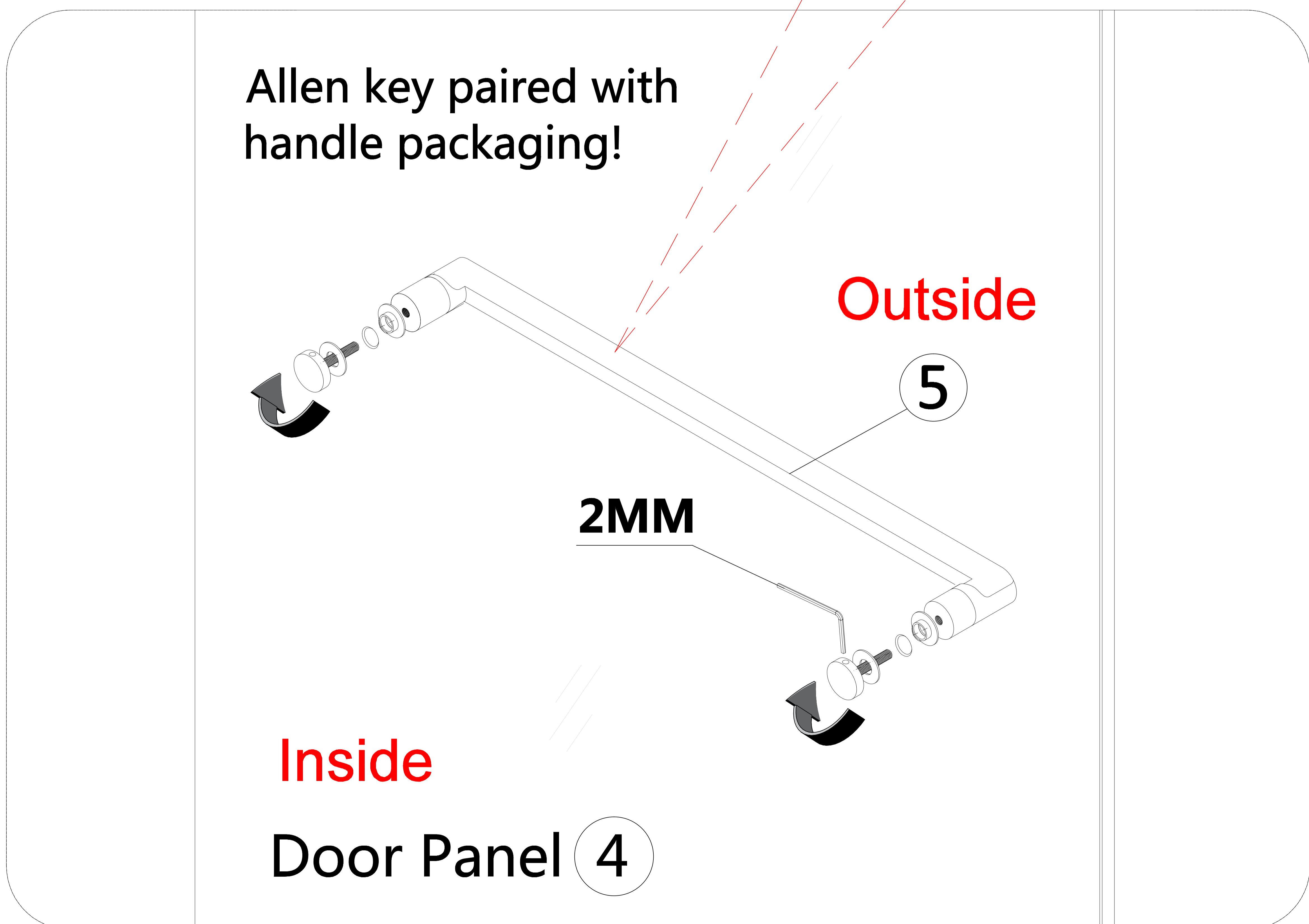
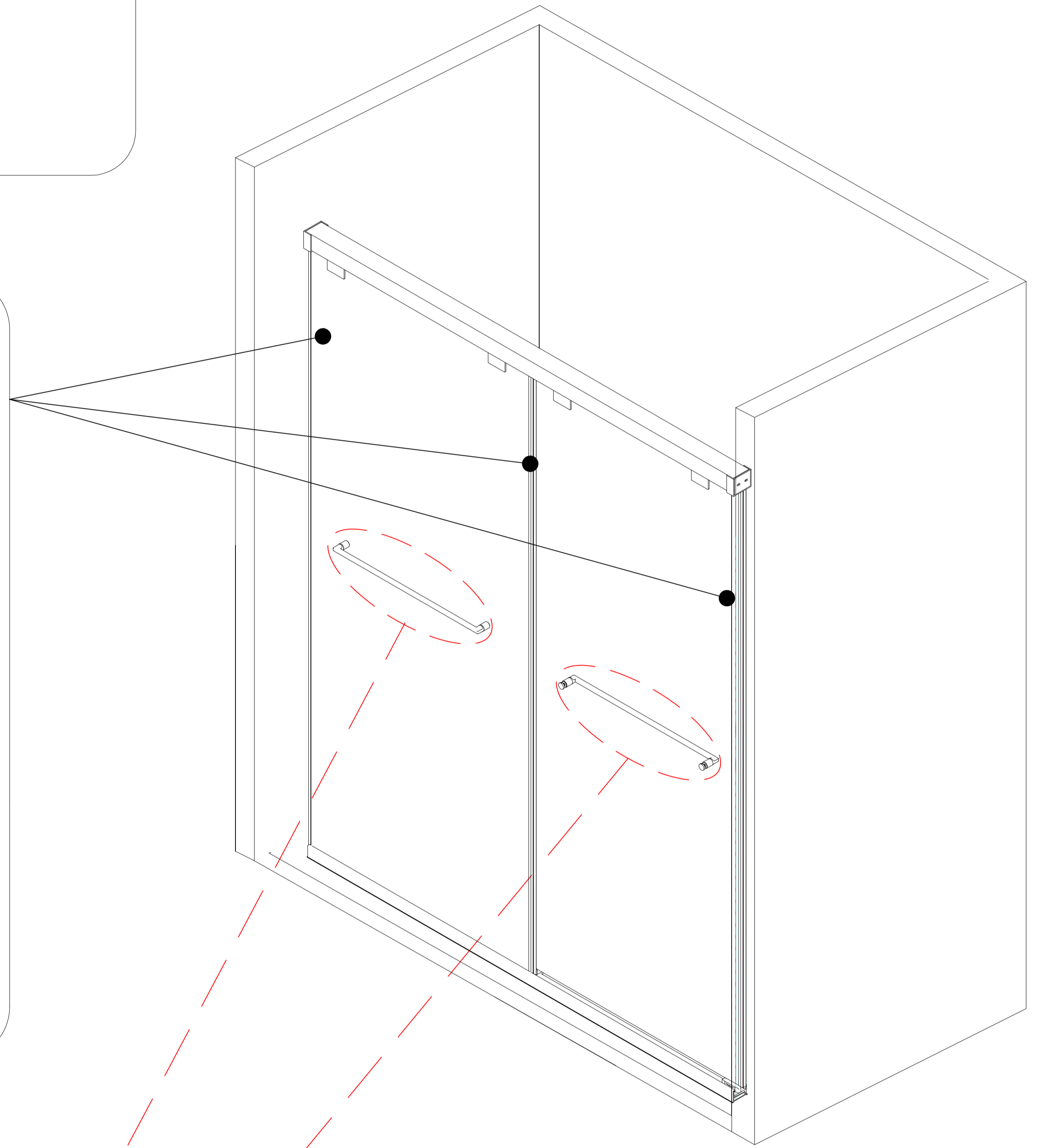
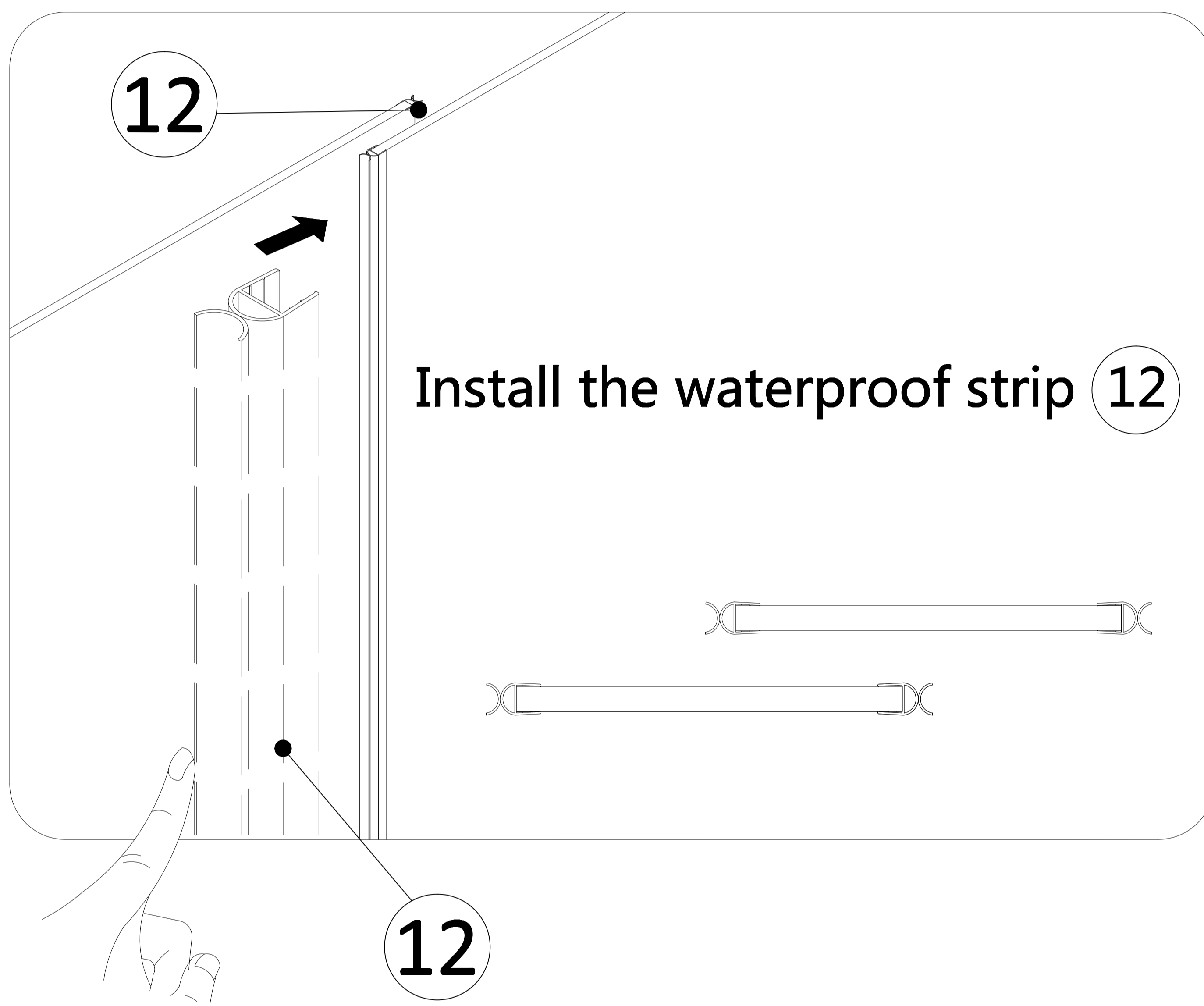


# STEP 12

## Handle ⑤ and Waterproof strip ⑫ Installation

NOTE

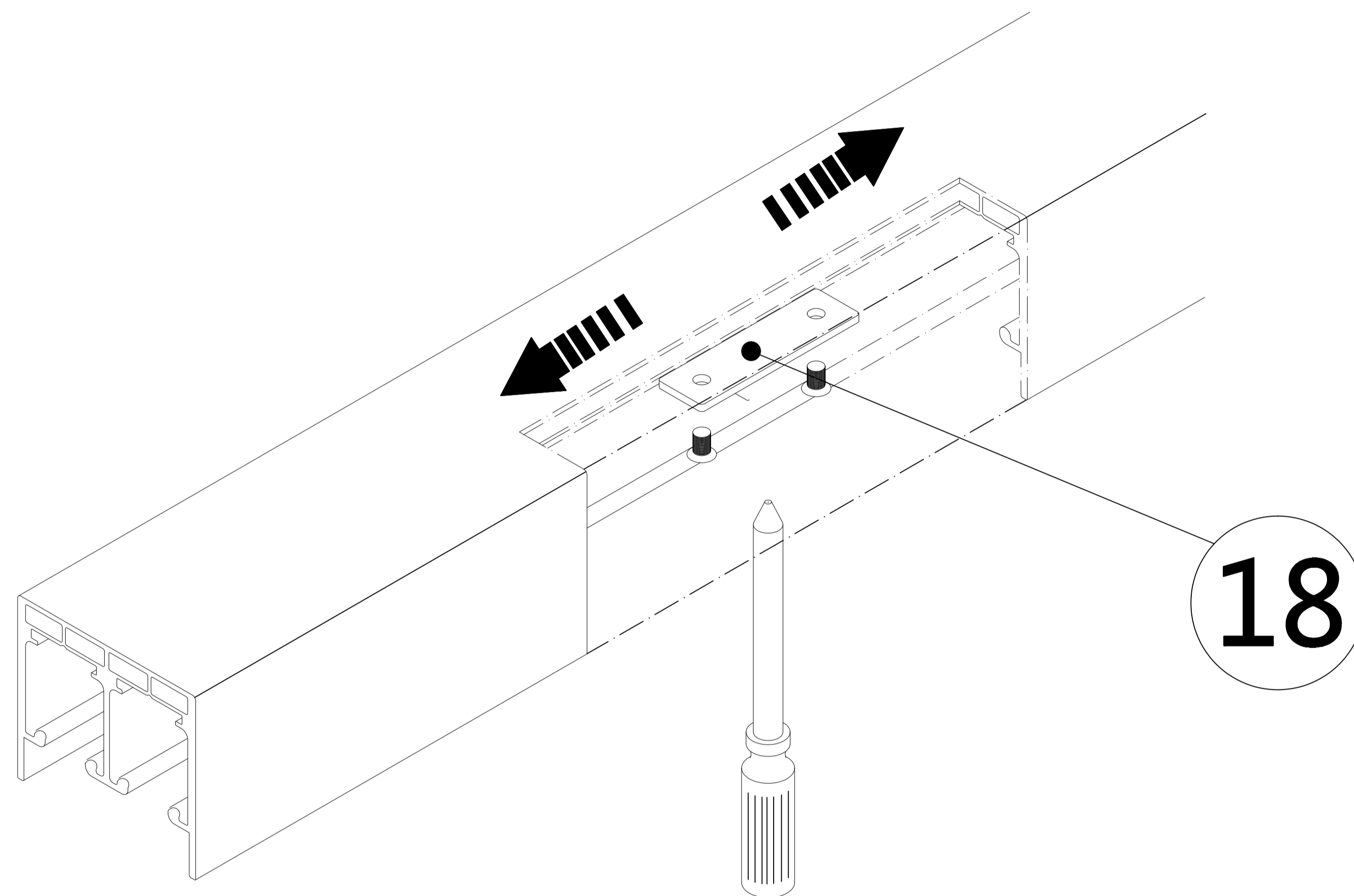
Attach the Handle ⑤ to the Door Panel ④ . Be sure to use all of the supplied rubber gaskets to protect the glass.



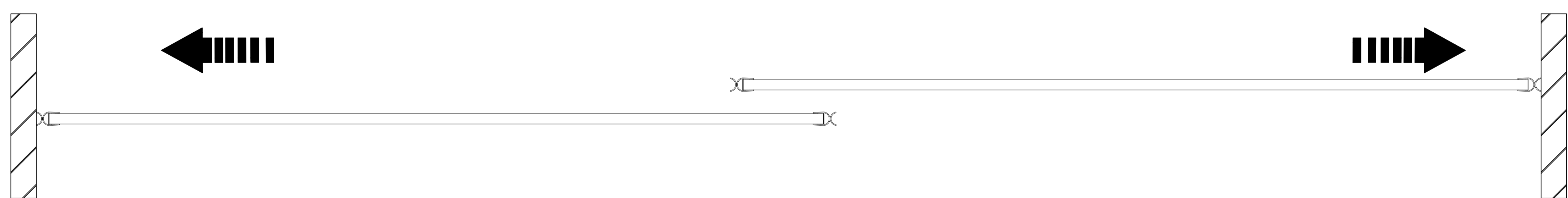
# STEP 13

Adjust the installation position of the Locator ⑱

Adjust the position of the Locator ⑱ by moving it left and right, then tighten the screws with a screwdriver



Close the sliding glass to the left and right, and you will see a buffering process in the door until the door panel ④ is completely closed ;  
If there is no buffering effect when closing the door, the installation position of the Locator ⑱ needs to be adjusted again.



# STEP 14

## SEALING

NOTE

The surfaces need to be clean and free of debris before applying silicone sealant.

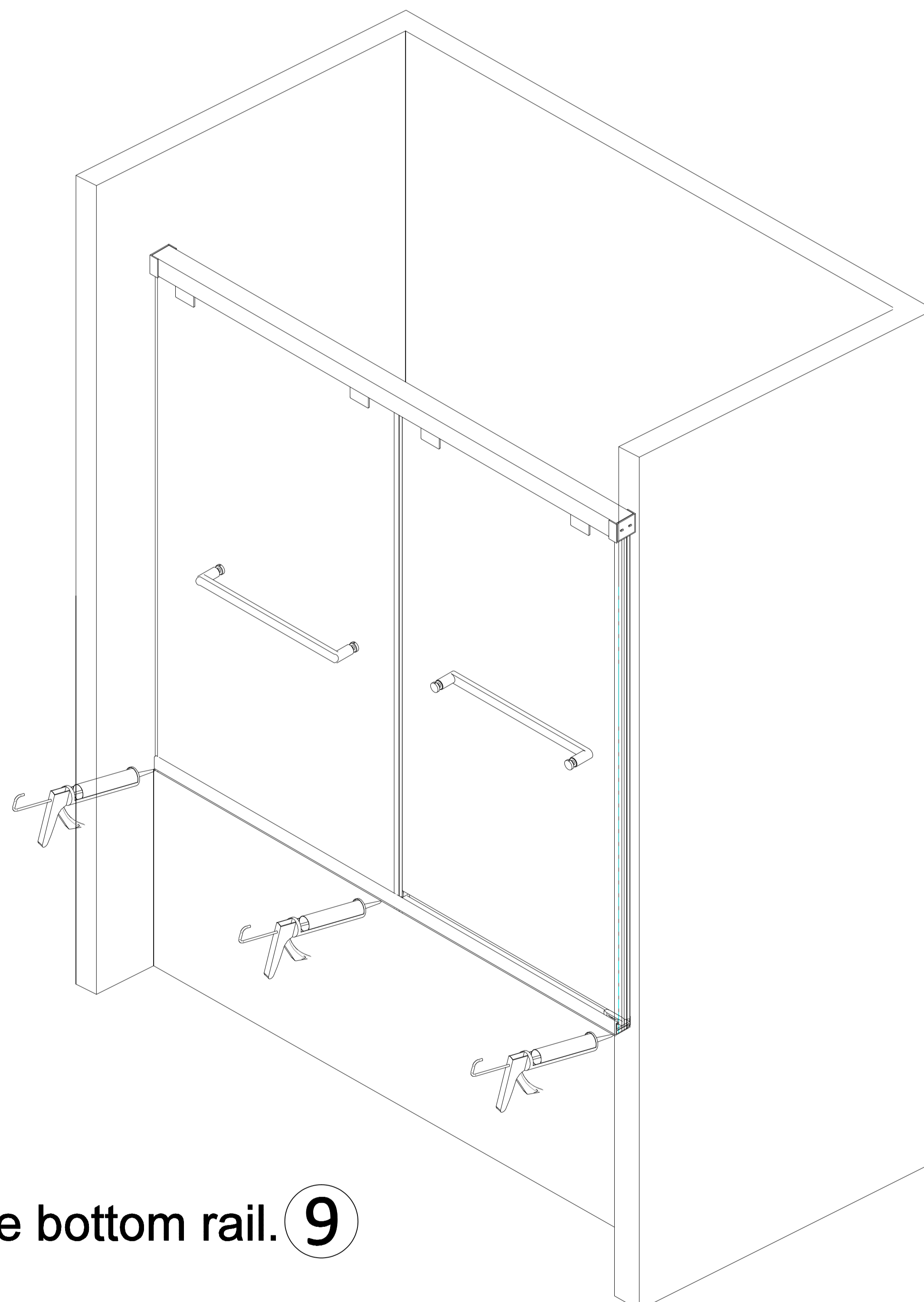
NOTE

Ensure that the Shower door closes tightly and opens smoothly.  
Apply a good quality silicone sealant along the Bottom Rail ⑨.

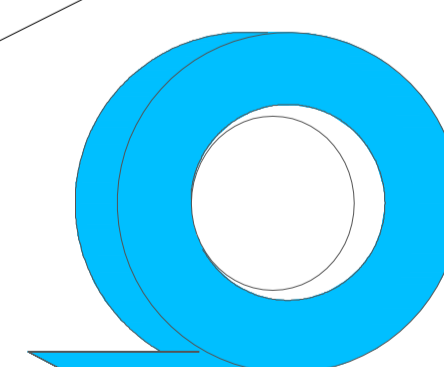
Allow 24 hours for the silicone to cure before using the shower.



! Apply Silicone Sealant, (not supplied).



Apply silicone around the bottom rail. ⑨



Use Painter's Tape to hold the Water seal tight in position while the silicone cures.