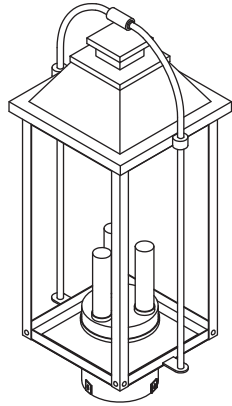
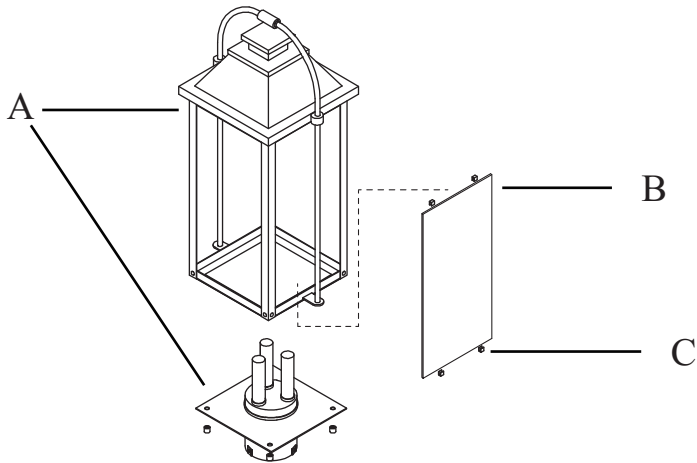


Instruction Manual

Outdoor Wall Sconce



PACKAGE CONTENTS



PART	DESCRIPTION	QUANTITY
A	Fixture body	1
B	Glass	4
C	Silicone clip	16

HARDWARE CONTENTS(shown actual size)



Short
monting x 4
screw
(Short mounting screws are
already on the base)



Wire nut x 3

! SAFETY INFORMATION

Please read and understand this entire manual before attempting to assemble, operate or install the product.

! WARNING

- TURN OFF ELECTRICITY at main fuse box (or circuit breaker box) before beginning installation by removing fuse (or switching off circuit breaker).
- MINIMUM 90°C SUPPLY CONDUCTORS.

PREPARATION

Before beginning assembly of product, make sure all parts are present. Compare parts with package contents list and hardware contents list. If any part is missing or damaged, do not attempt to assemble the product.

Estimated Assembly Times: 25 minutes

Tools Required for Assembly (not included): Flathead screwdriver , Phillips screwdriver, Pliers, Electrical tape, Wire cutters, Safety glasses.

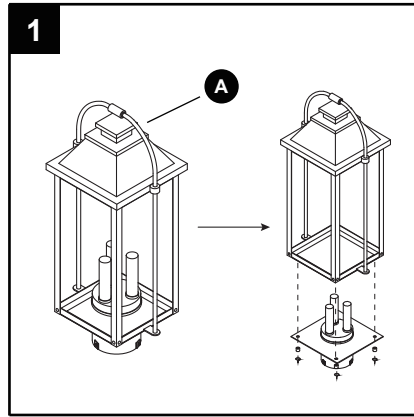
Helpful Tools (not included): Wire strippers, Step ladder.

Customer Service: service@24h-reply.com

ASSEMBLY INSTRUCTIONS

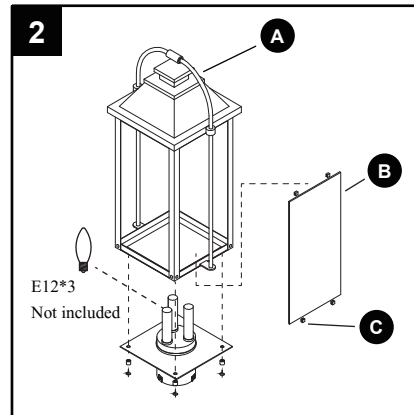
1. As shown in the figure on the right, unscrew the nut under the lamp body and disassemble the lamp body into two parts.

Hardware Used

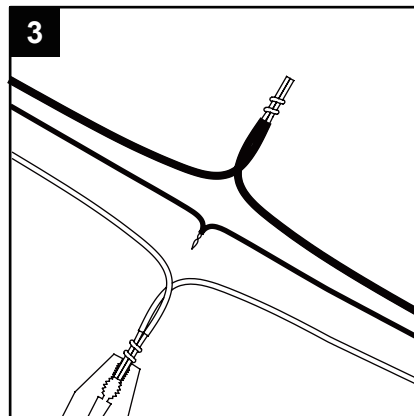


2. As shown in the figure on the right, install light bulbs, assemble glass panels (Please refer to the Glass Assembly for details). Rotate the nut back to form a complete fixture body.

Hardware Used



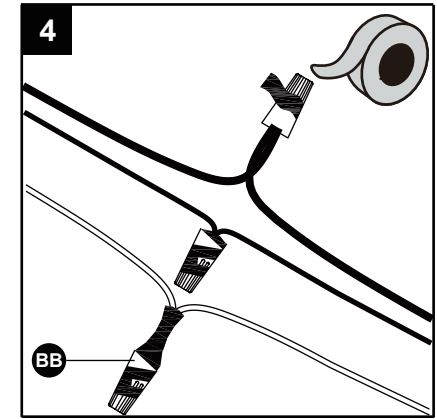
3. Strip 3/4 in. of insulation from wire ends. Twist stripped ends together with pliers (not included), black to black (power) and white to white (neutral). Attach copper wire to ground wire. Helpful hint: If necessary, attach copper ground wire to grounded outlet box.



ASSEMBLY INSTRUCTIONS

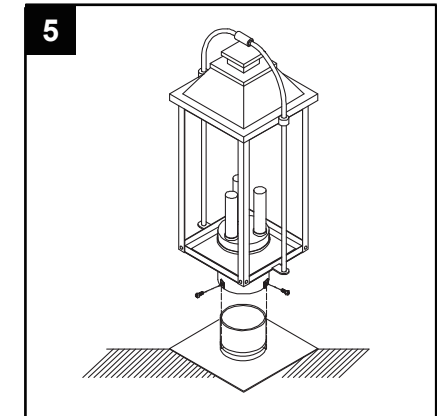
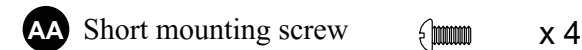
4. Attach wire nuts (BB). Tape wire nuts (BB) and wires together.

Hardware Used



5. Remove the 4 mounting screws from the bottom of the light fixture. Keep the screws for reassembly. Position the light fixture over the pole base (Not included), then reinsert and tighten all 4 screws.

Hardware Used



CAUTION: To avoid any waterproofing problems, please make sure the light fixture fits the mounting surface perfectly installation and use waterproof glue around the canopy for better sealing after installation.