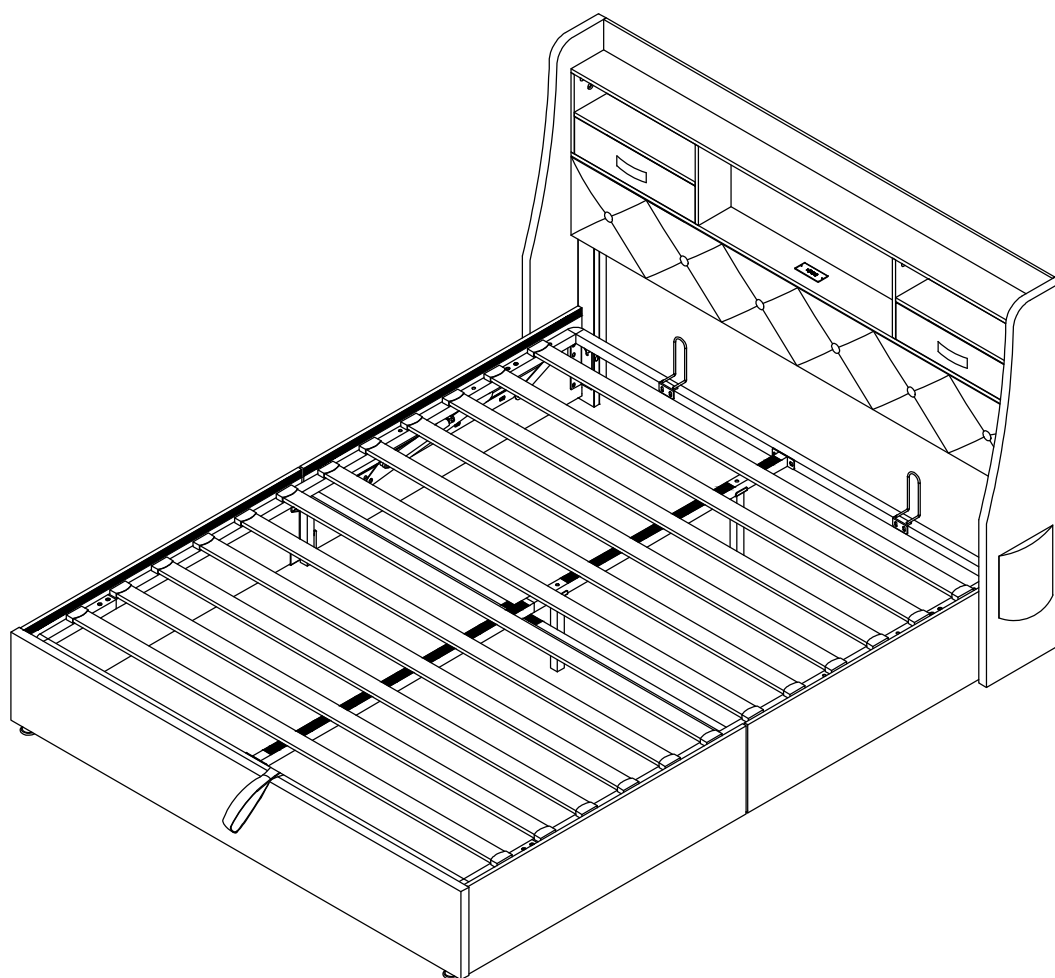


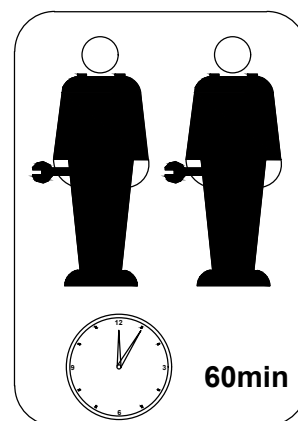
# ASSEMBLY INSTRUCTIONS

This set comes in 2 boxes. If you do not receive a full 2 boxes, please contact our customer service.

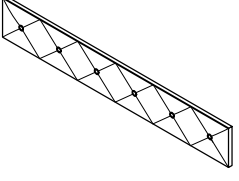
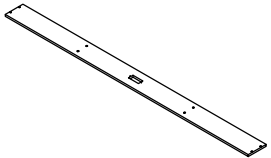
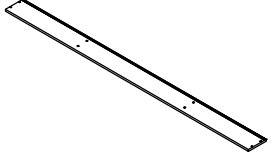
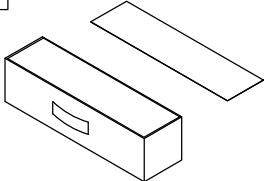
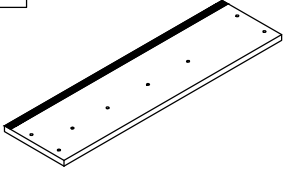
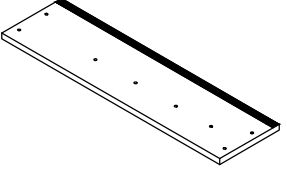
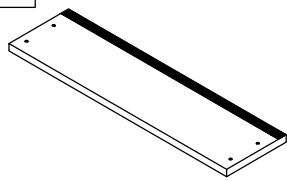


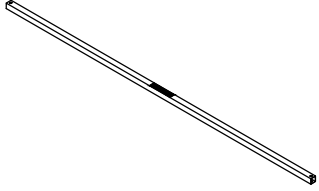
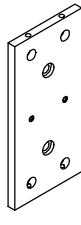
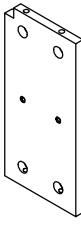
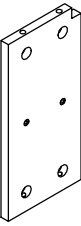
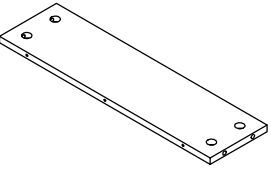


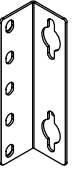
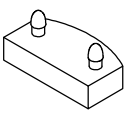
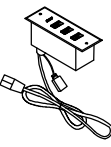
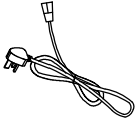
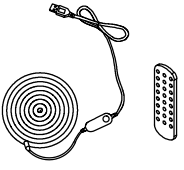
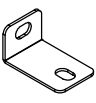
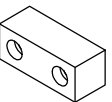
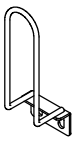
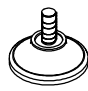

## Upholstered bed-135\*190CM



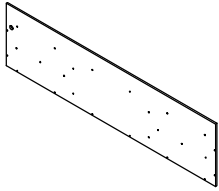
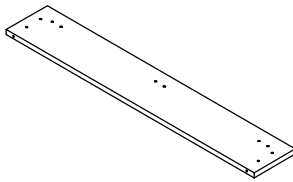
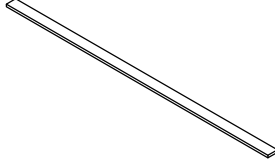
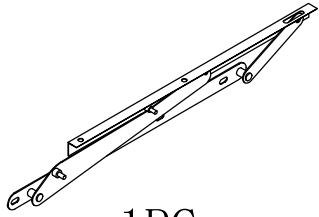
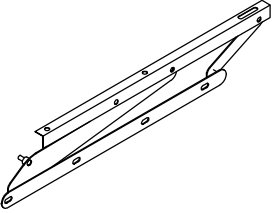
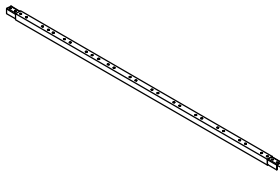
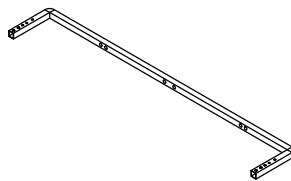
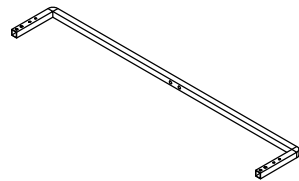

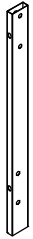
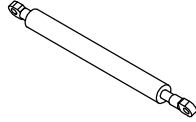
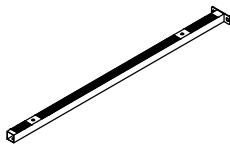
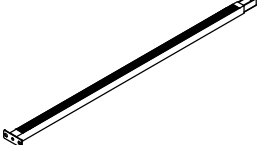
**UK  
CA**



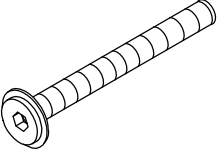
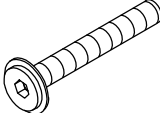
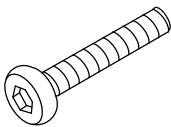
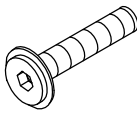
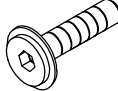
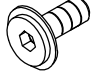

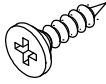
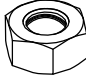
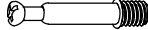

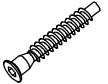
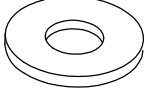
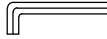

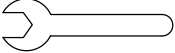
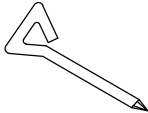
# Part list

<p>A1</p>  <p>1PC</p>	<p>A2</p>  <p>1PC</p>	<p>A3</p>  <p>1PC</p>	<p>C</p>  <p>2PCS</p>	
<p>D1</p>  <p>1PC</p>	<p>D2</p>  <p>1PC</p>	<p>D3</p>  <p>2PCS</p>	<p>F1</p>  <p>1PC</p>	
<p>F2</p>  <p>1PC</p>	<p>L1</p>  <p>1PC</p>	<p>M</p>  <p>2PCS</p>	<p>M3</p>  <p>1PC</p>	
<p>M4</p>  <p>1PC</p>	<p>M5</p>  <p>2PCS</p>	<p>P1</p>  <p>2PCS</p>	<p>P2</p>  <p>2PCS</p>	
<p>Q</p>  <p>4PCS</p>	<p>R</p>  <p>24PCS</p>	<p>S1</p>  <p>1PC</p>	<p>S2</p>  <p>1PC</p>	<p>S3</p>  <p>1PC</p>
<p>T</p>  <p>6PCS</p>	<p>U</p>  <p>3PCS</p>	<p>V</p>  <p>2PCS</p>	<p>W1</p>  <p>2PCS</p>	<p>W2</p>  <p>1PC</p>
<p>2 OF 24</p>				

# Part list

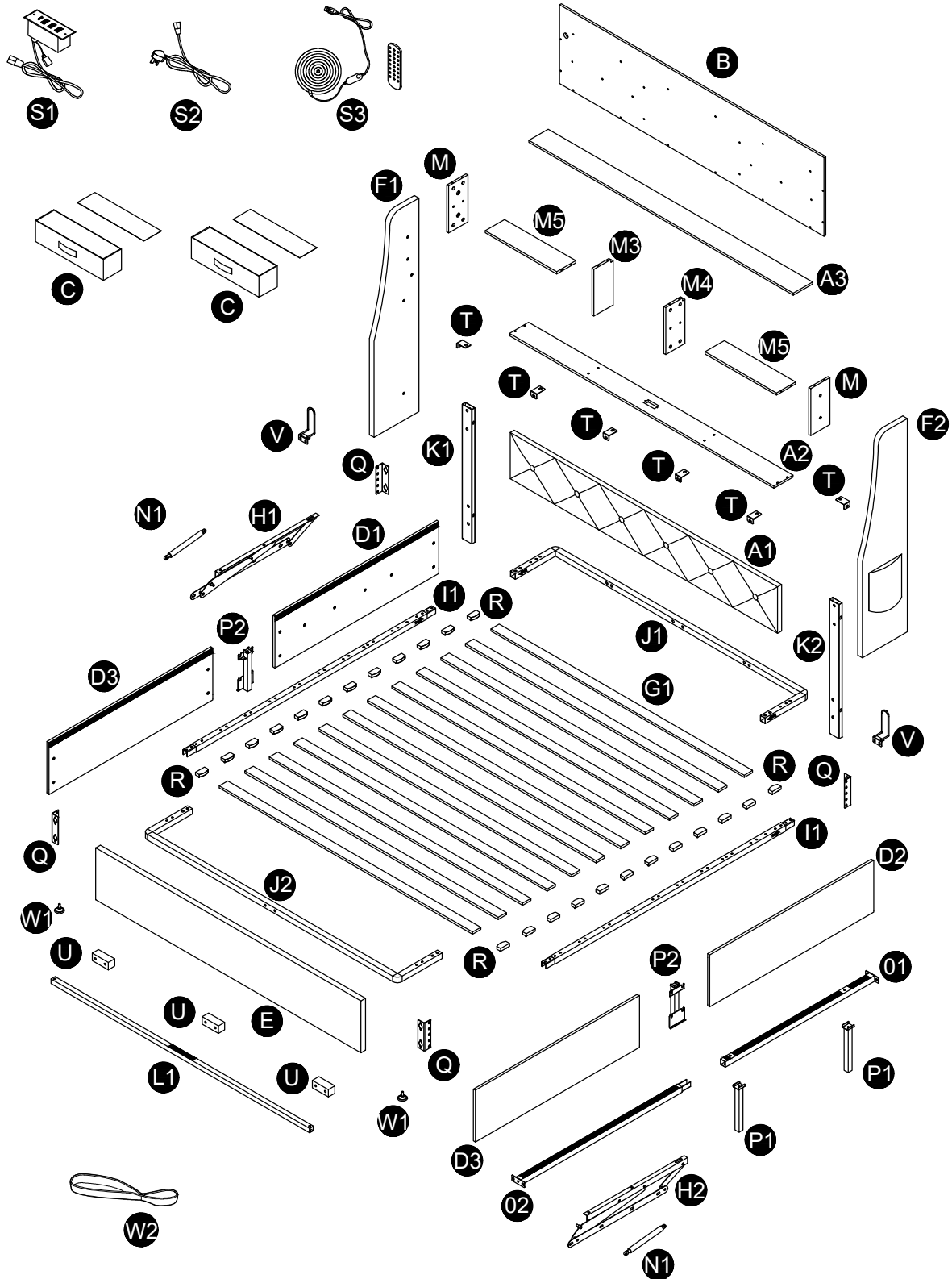
<p>B</p>  <p>1PC</p>	<p>E</p>  <p>1PC</p>	<p>G1</p>  <p>12PCS</p>	<p>H1</p>  <p>1PC</p>	
<p>H2</p>  <p>1PC</p>	<p>I1</p>  <p>2PCS</p>	<p>J1</p>  <p>1PC</p>	<p>J2</p>  <p>1PC</p>	
<p>K1</p>  <p>1PC</p>	<p>K2</p>  <p>1PC</p>	<p>N1</p>  <p>Ø22X350 750N 2PCS</p>	<p>O1</p>  <p>1PC</p>	<p>O2</p>  <p>1PC</p>

# Hardware list

 <p>M8*90MM X1*4PCS</p>	 <p>M8*50MM X2*6PCS</p>	 <p>M8*45MM X3*14PCS</p>	 <p>M8*30MM X4*16PCS</p>	 <p>M8*25MM X5*10PCS</p>	 <p>M8*14MM X6*34PCS</p>
 <p>M8*10MM X7*6PCS</p>	 <p>M3*15MM X8*2PCS</p>	 <p>M8 Y1*10PCS</p>	 <p>Ø6x35mm Y2*24PCS</p>	 <p>Ø15x10mm Y3*24PCS</p>	 <p>Ø5x40mm Y4*26PCS</p>
 <p>Ø22*Ø8.5 Z1*4PCS</p>	 <p>M3 Z2*1PC</p>	 <p>M5 Z3*1PC</p>	 <p>M13 Z4*1PC</p>	 <p>M5 Z5*1PC</p>	

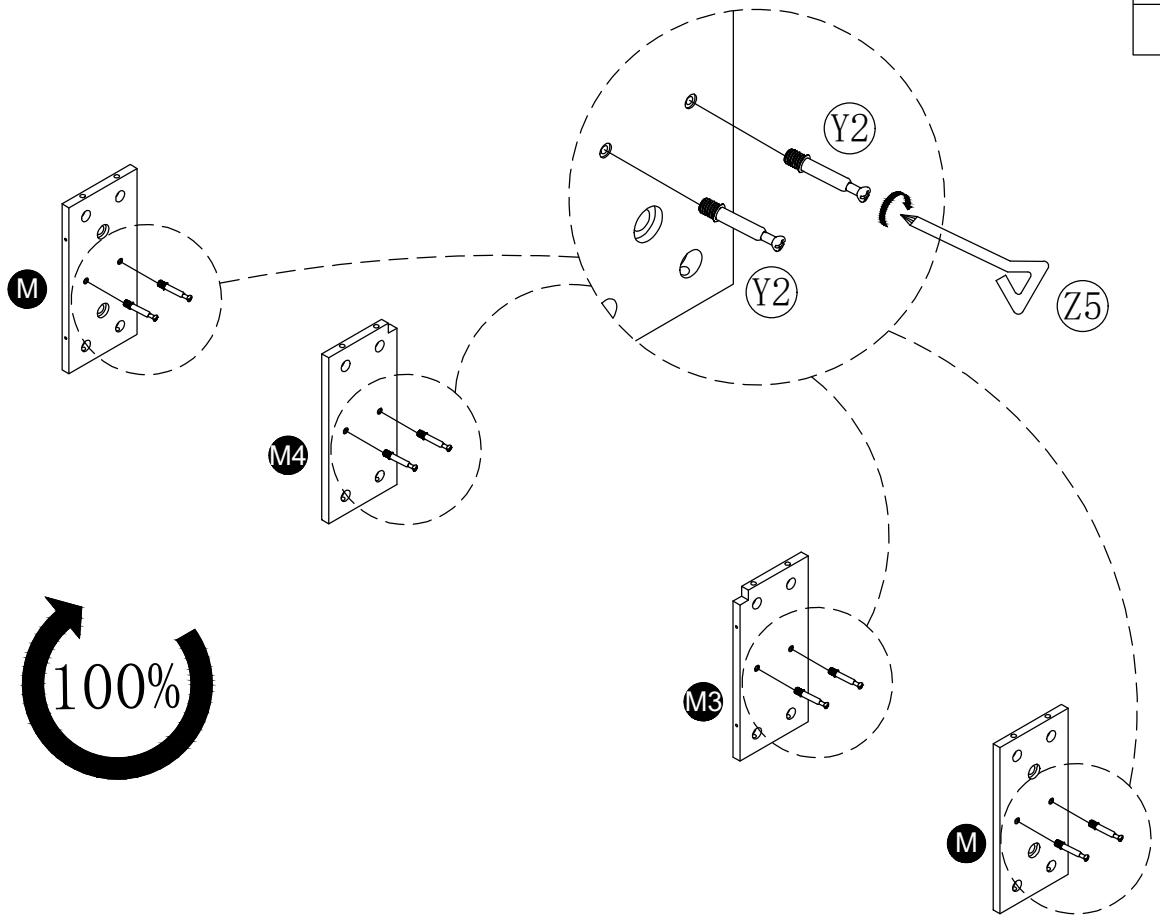
# Detail View

**NOTE: Please do not completely tighten all the hardware until the entire assembly is complete!**

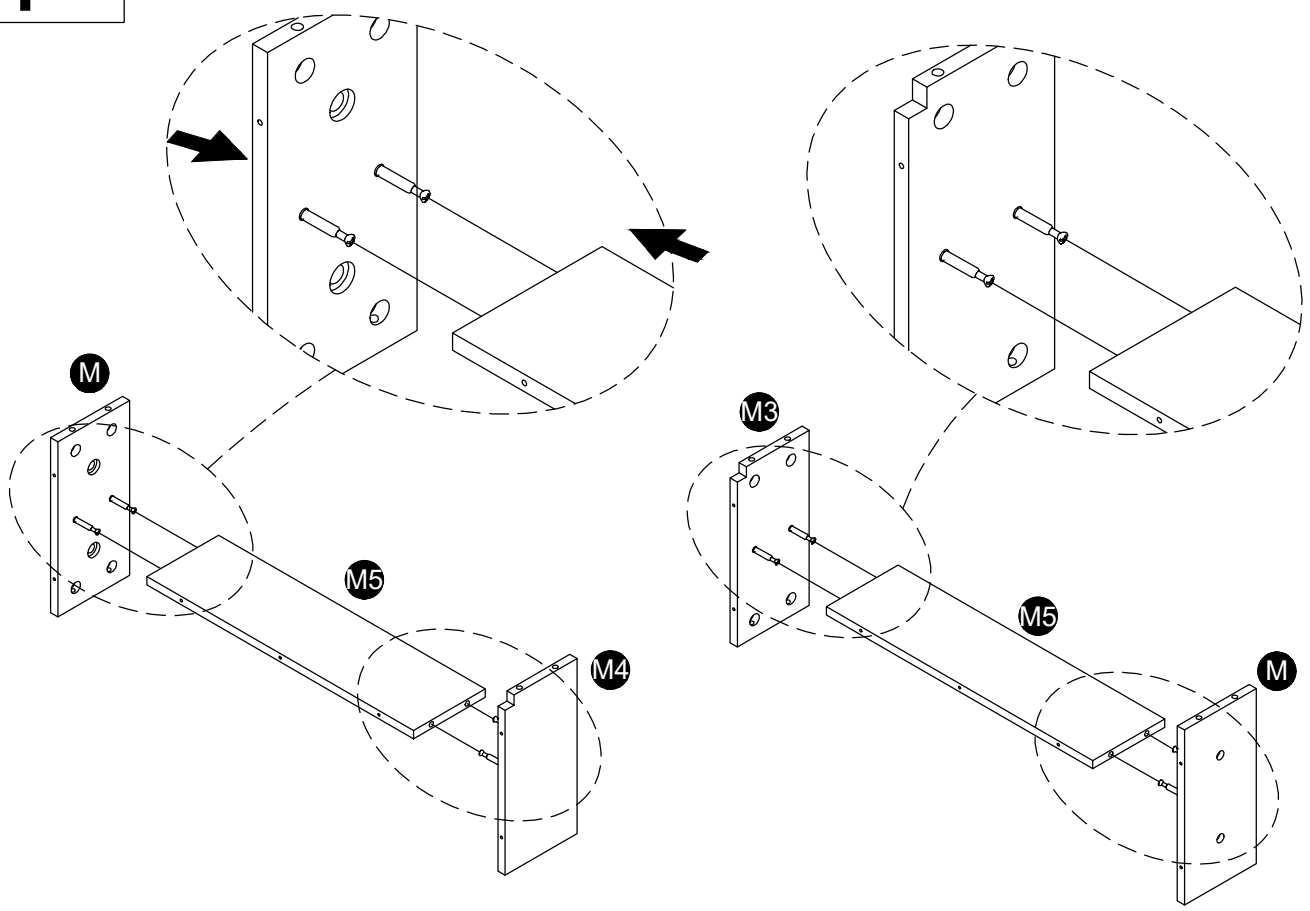


# step1

Y2  
Ø6x35mm  
8PCS



# step2



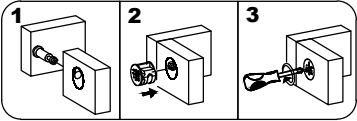
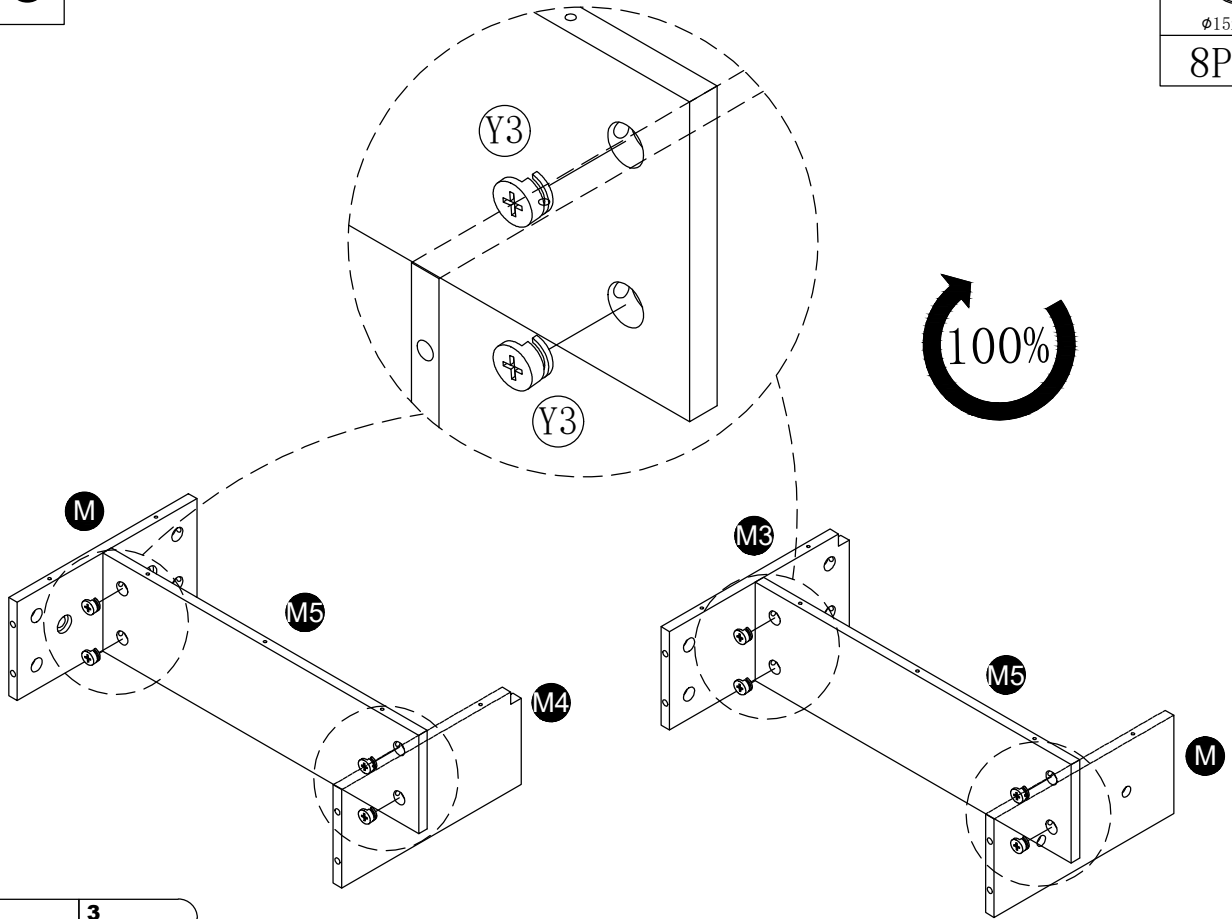
# step3

Y3



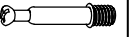
ø15x10mm

8PCS



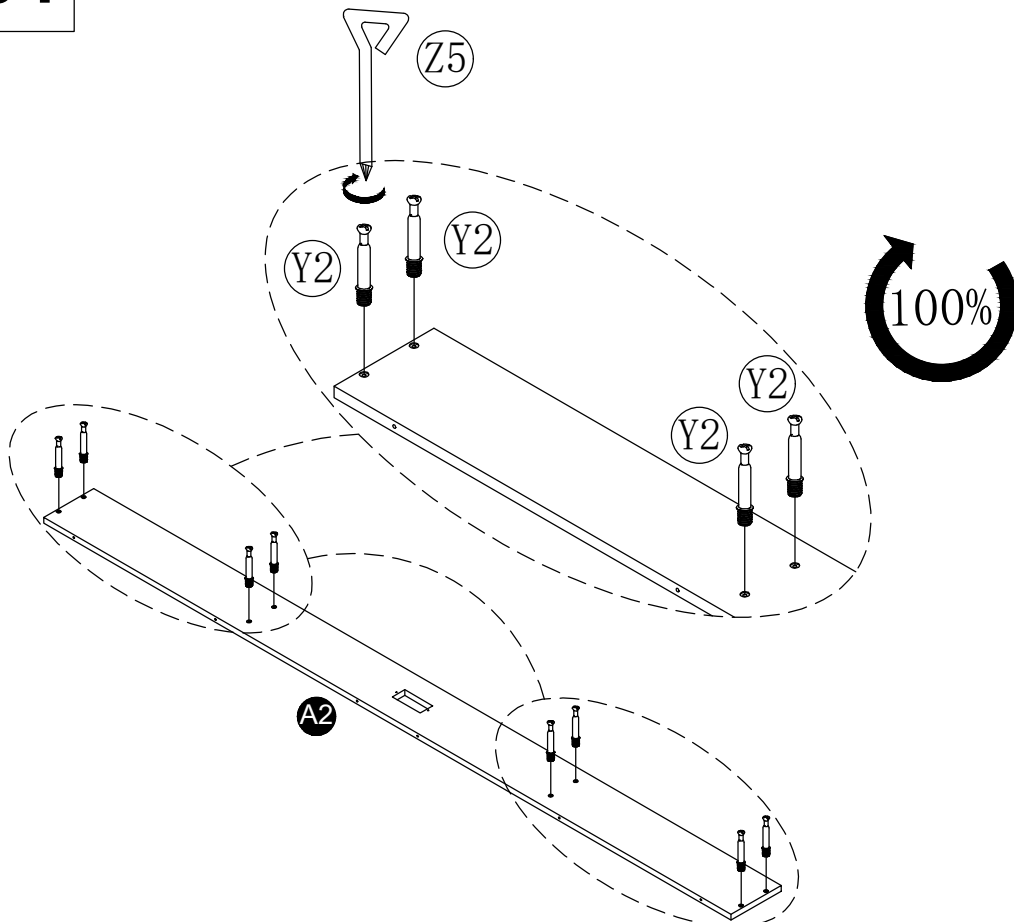
# step4

Y2



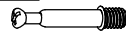
ø6x35mm

8PCS



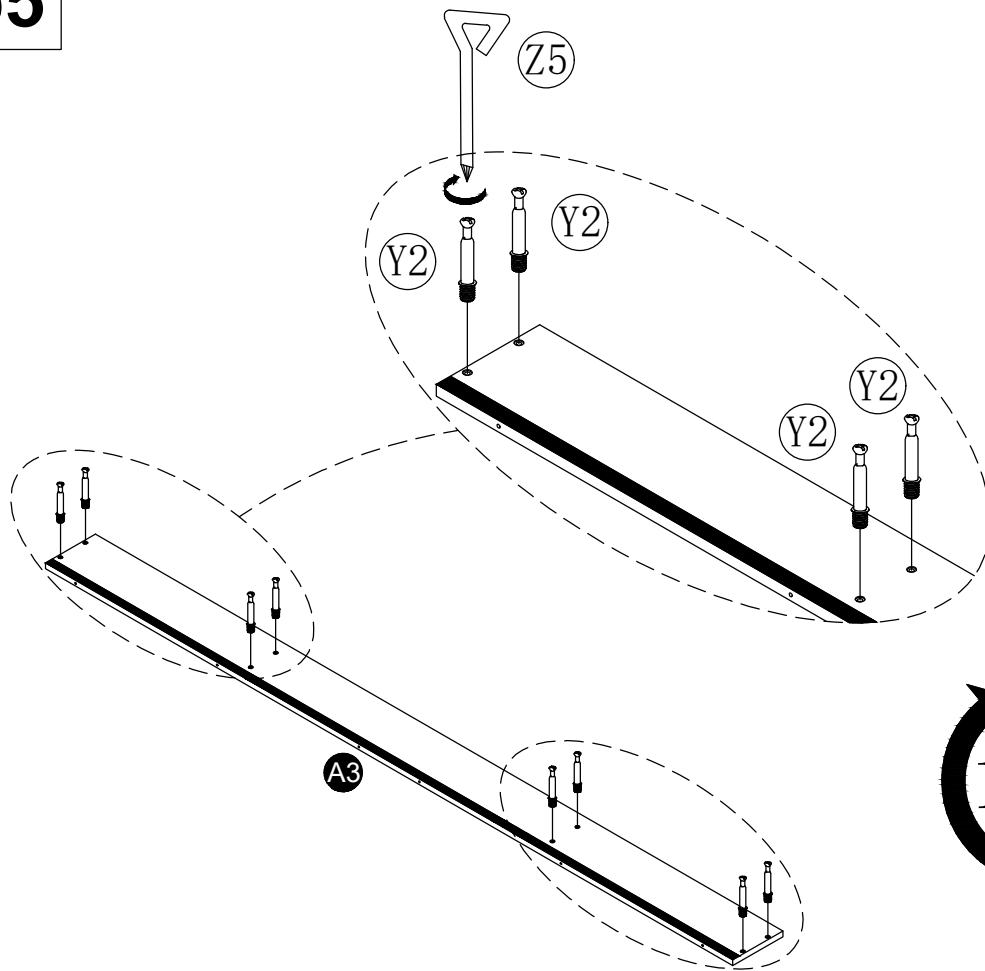
# step5

Y2

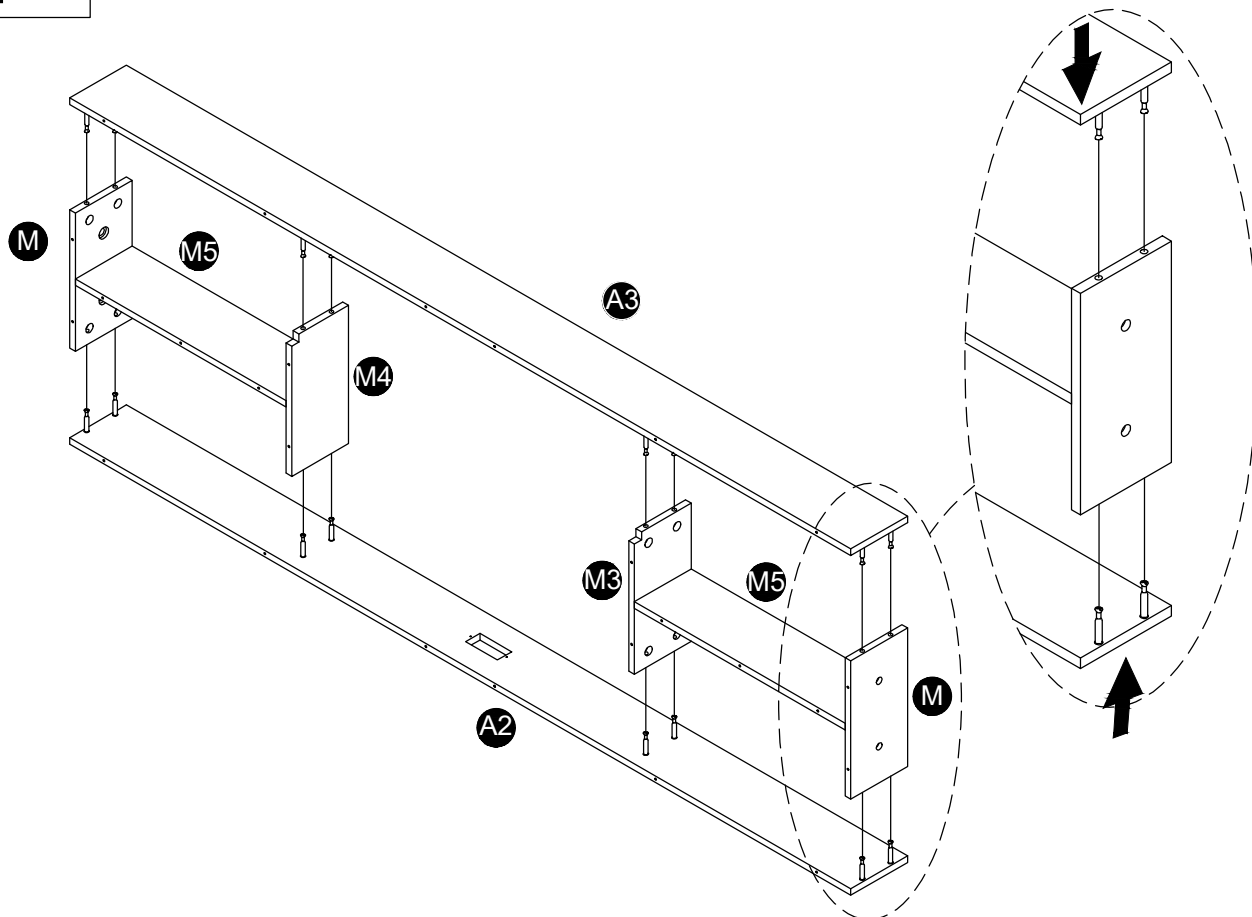


φ6x35mm

8PCS



# step6



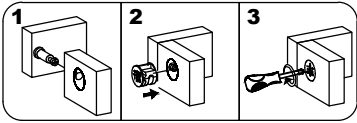
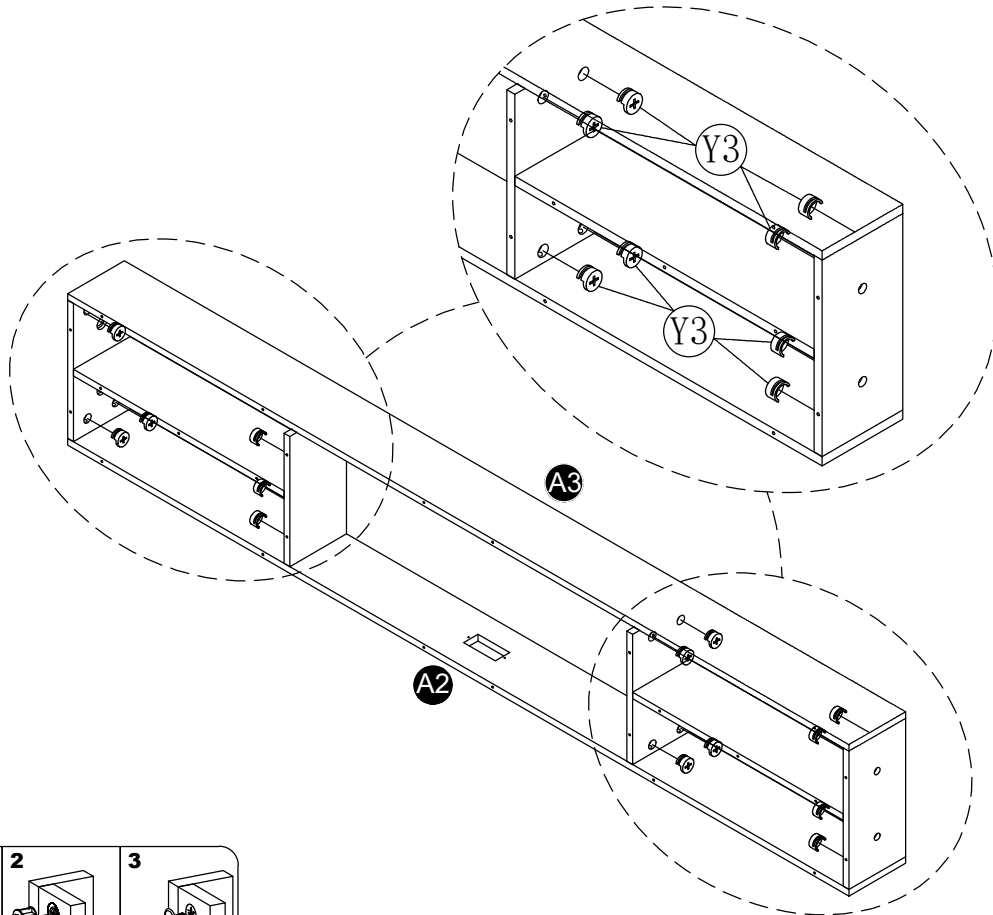
# step7

Y3



φ15x10mm

16PCS



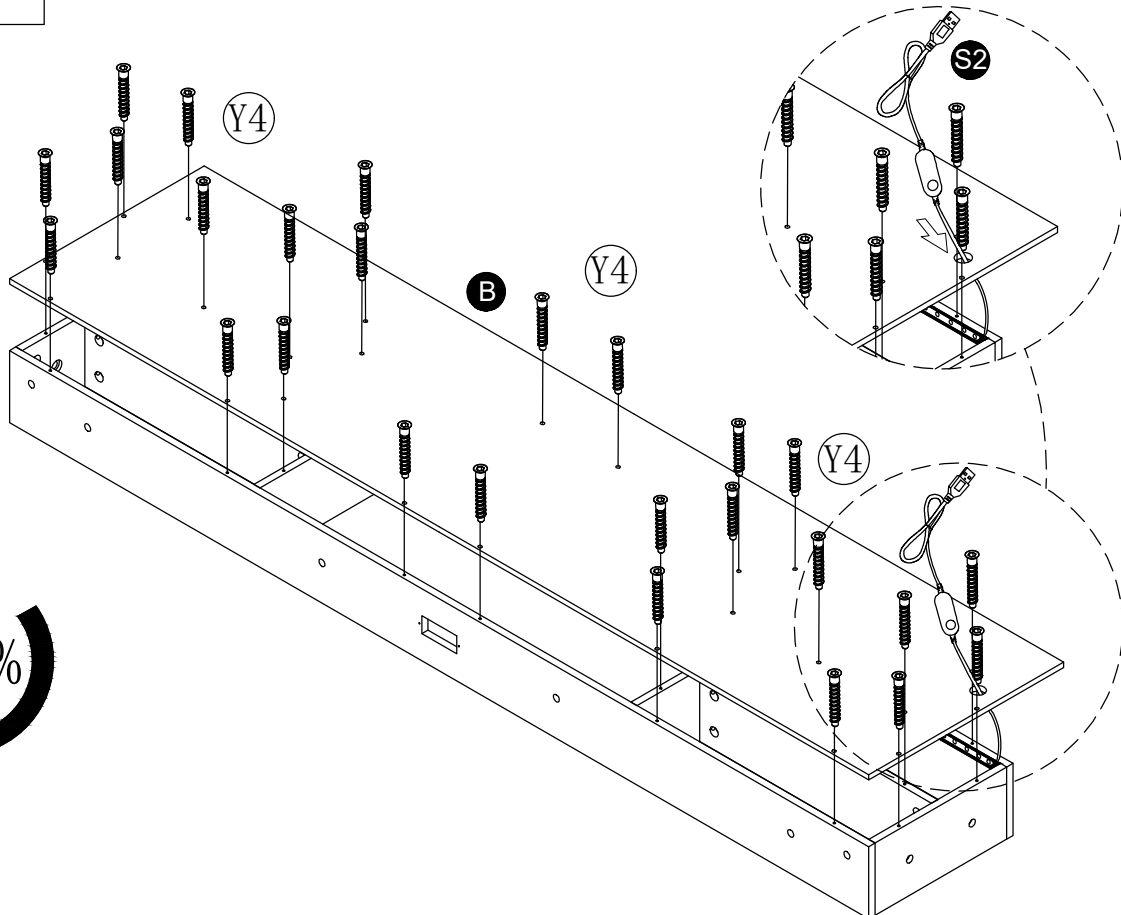
# step8

Y4

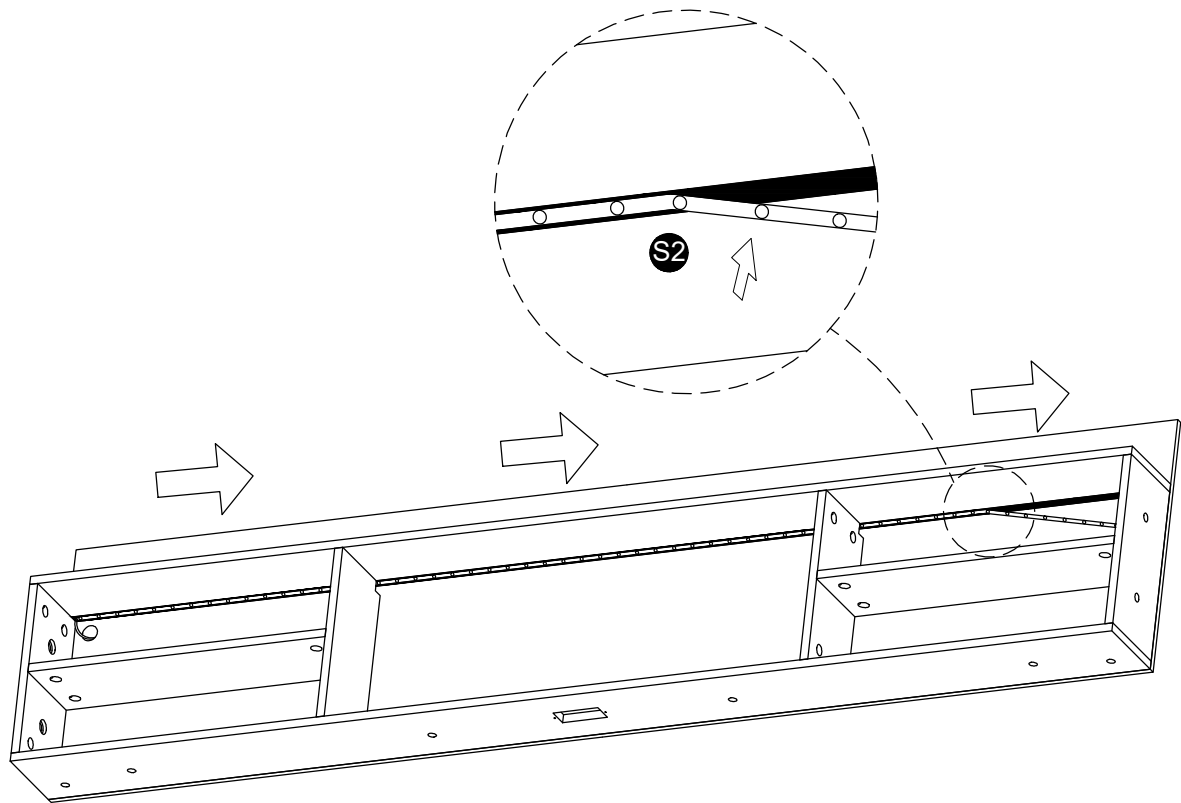


φ5x40mm

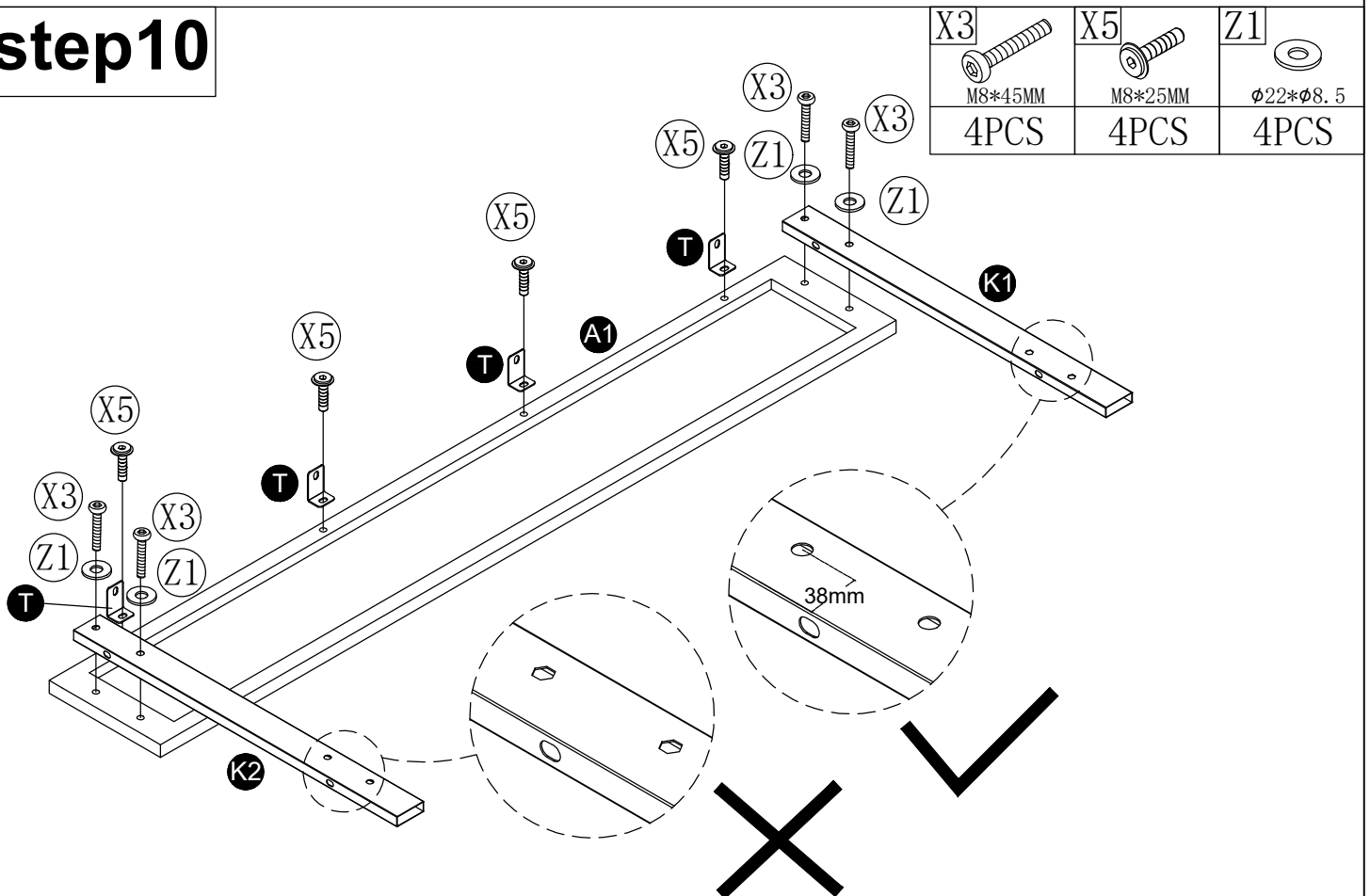
26PCS



# step9

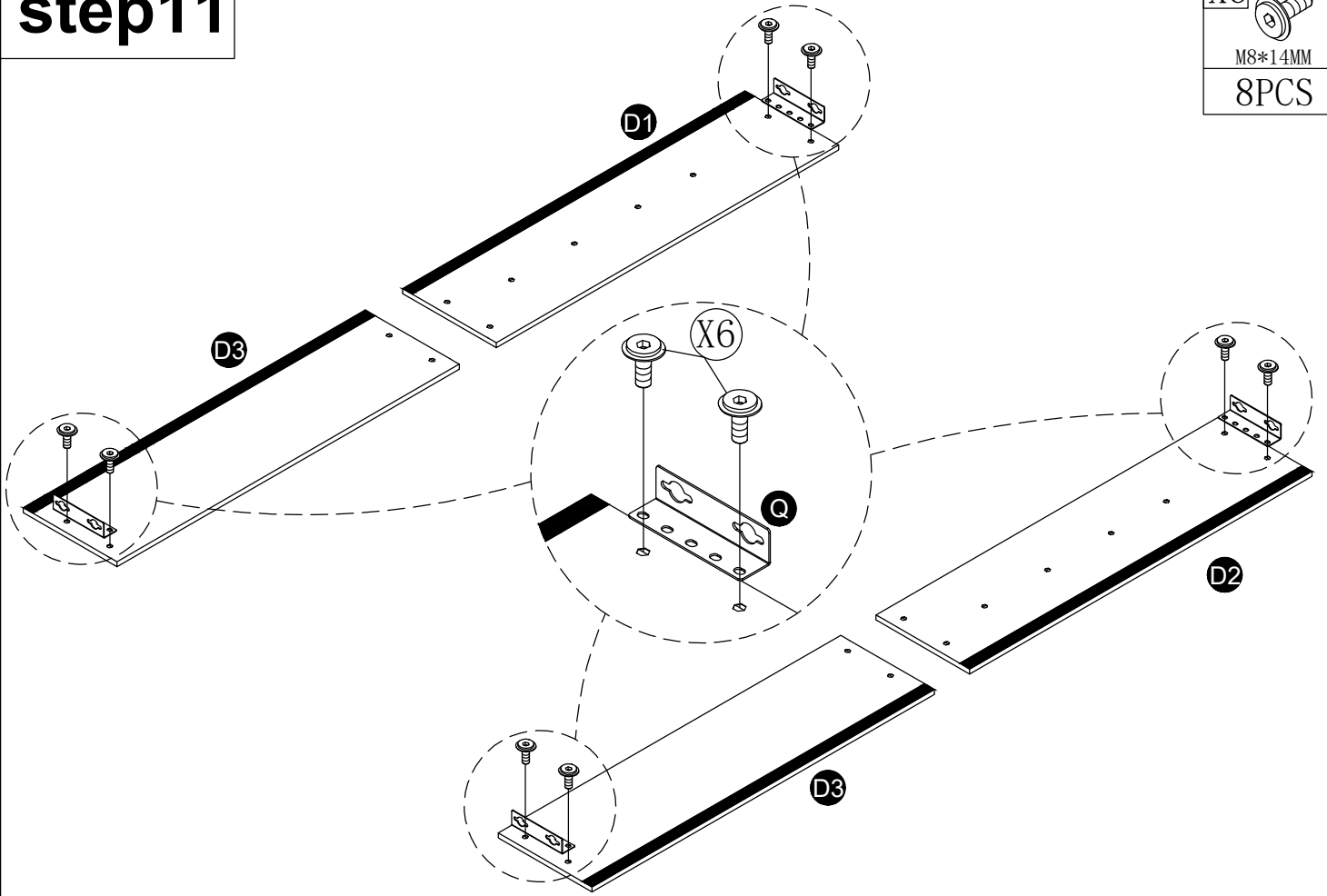


# step10



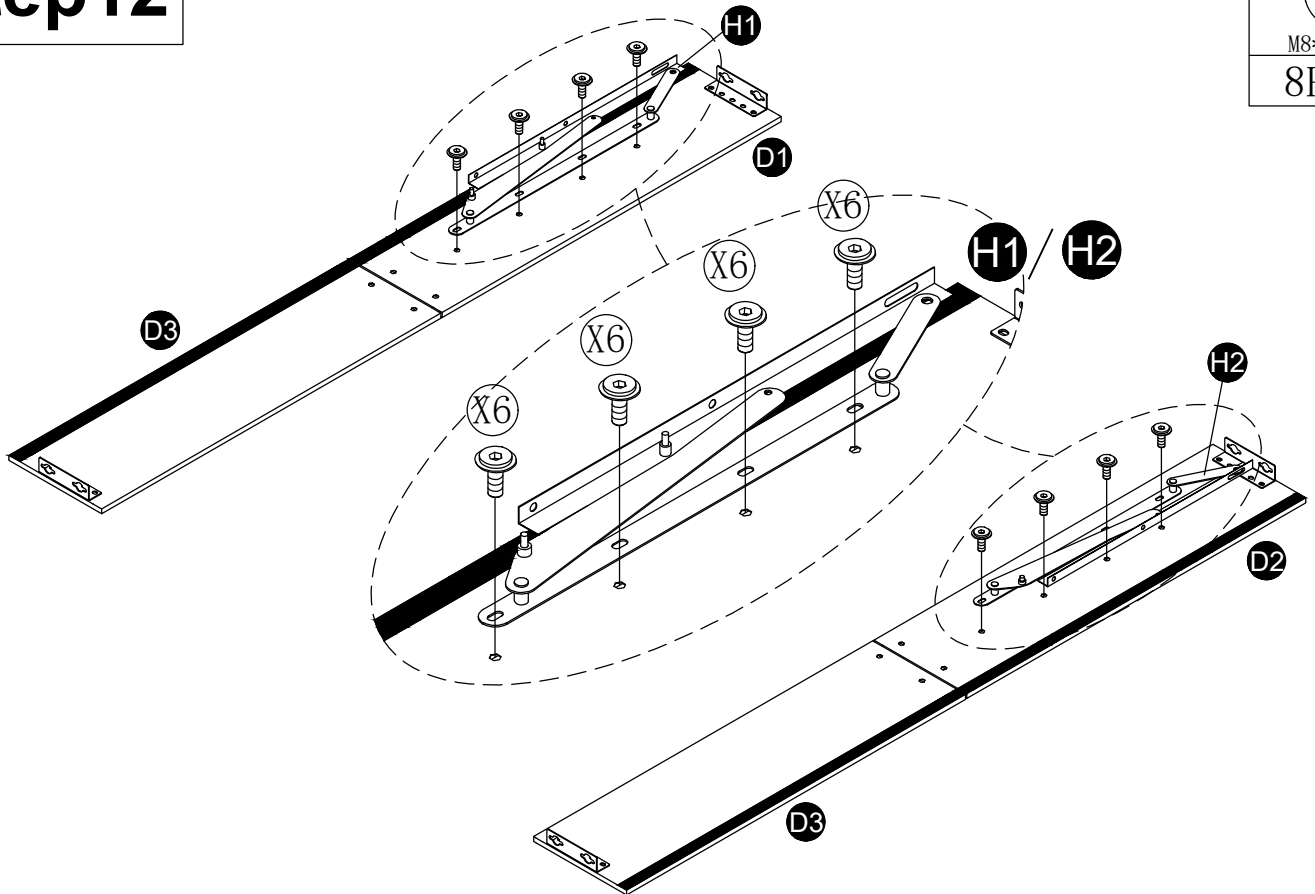
# step11

X6  
M8\*14MM  
8PCS



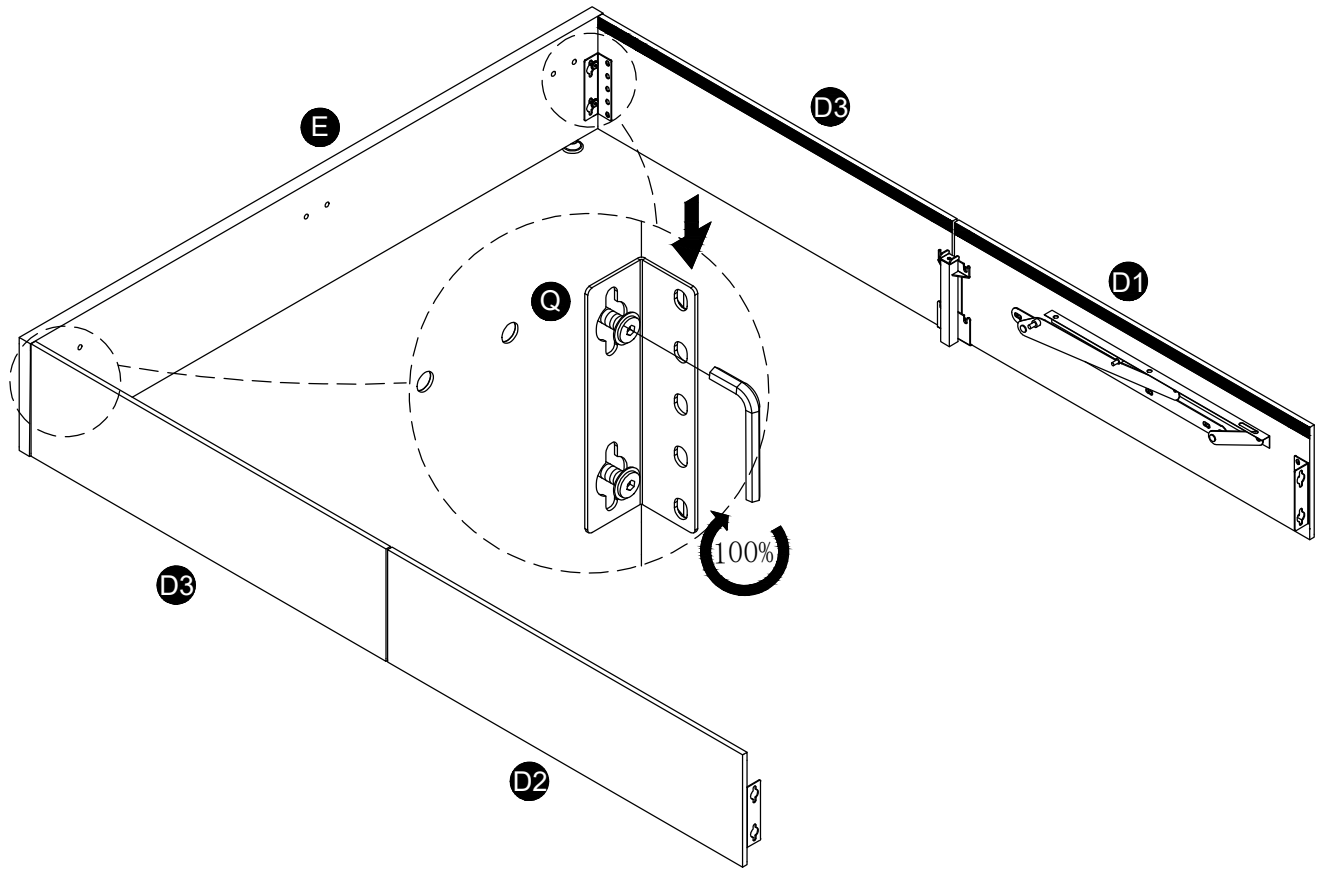
# step12

X6  
M8\*14MM  
8PCS


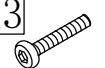


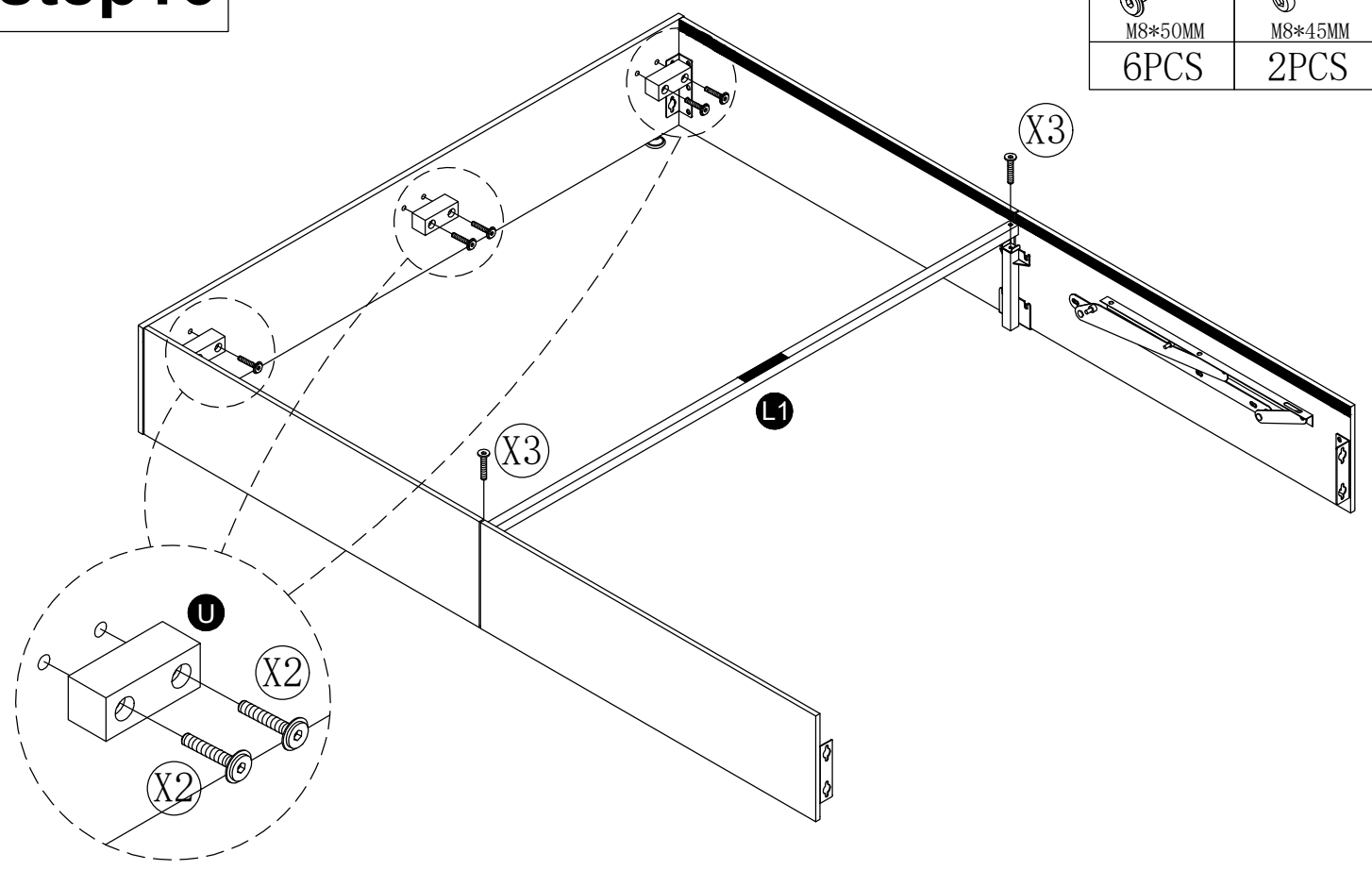


# step15



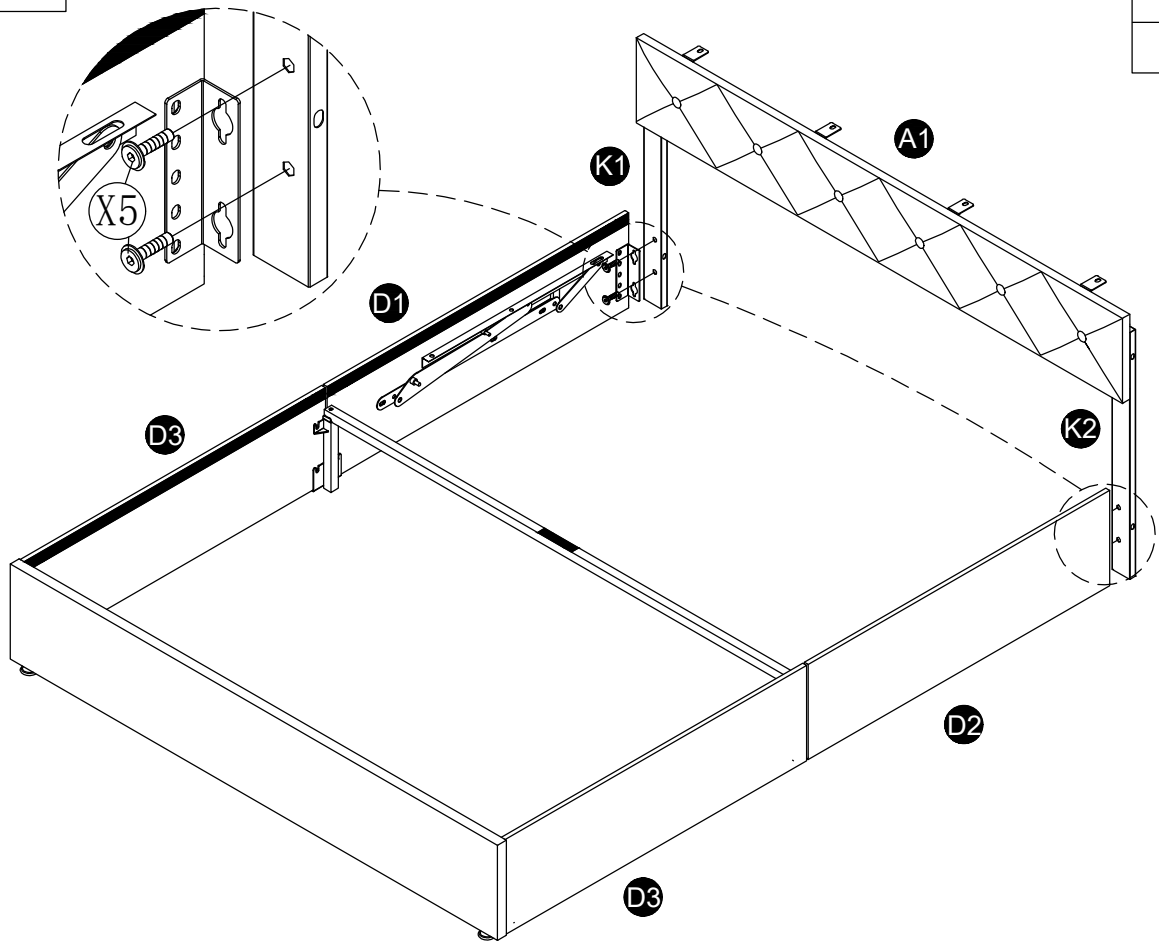
# step16

X2		X3	
	M8*50MM		M8*45MM
6PCS		2PCS	



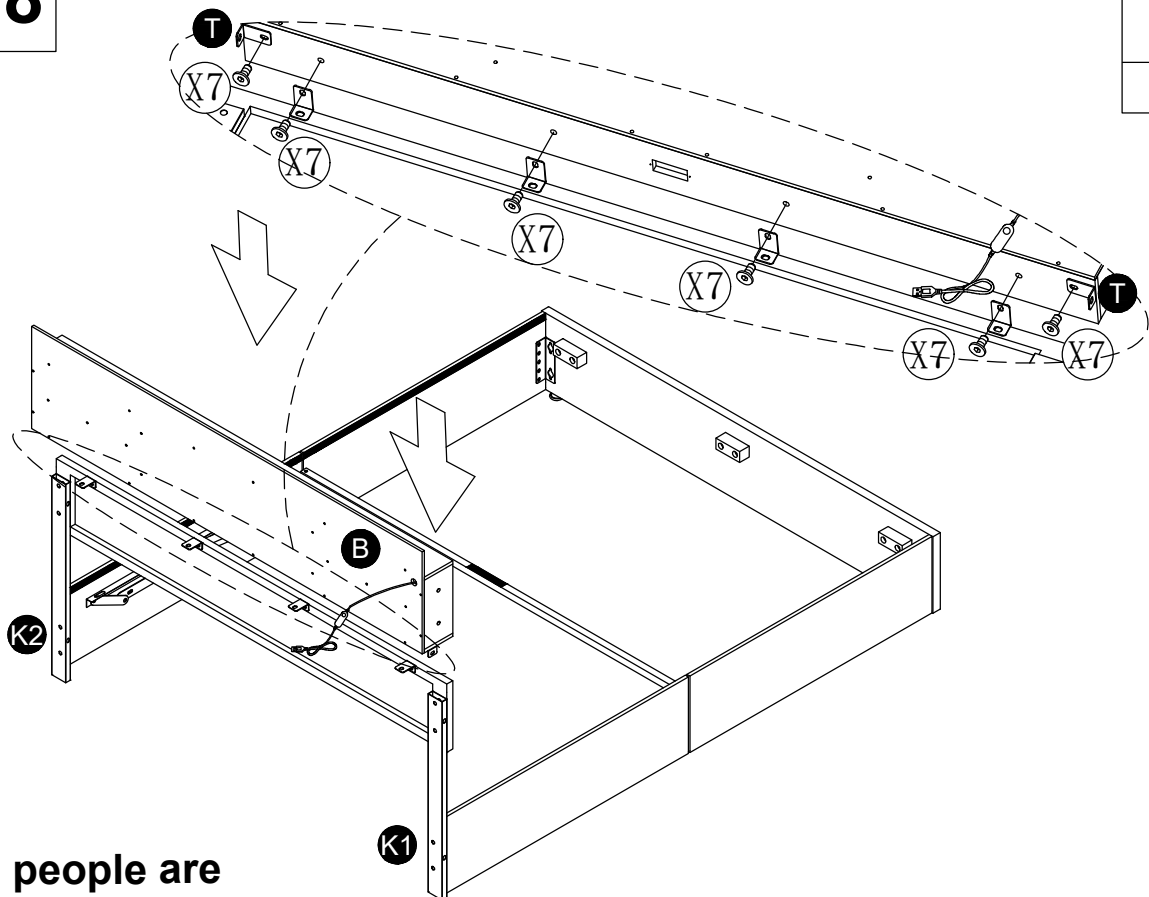
# step17

X5  
M8\*25MM  
4PCS



# step18

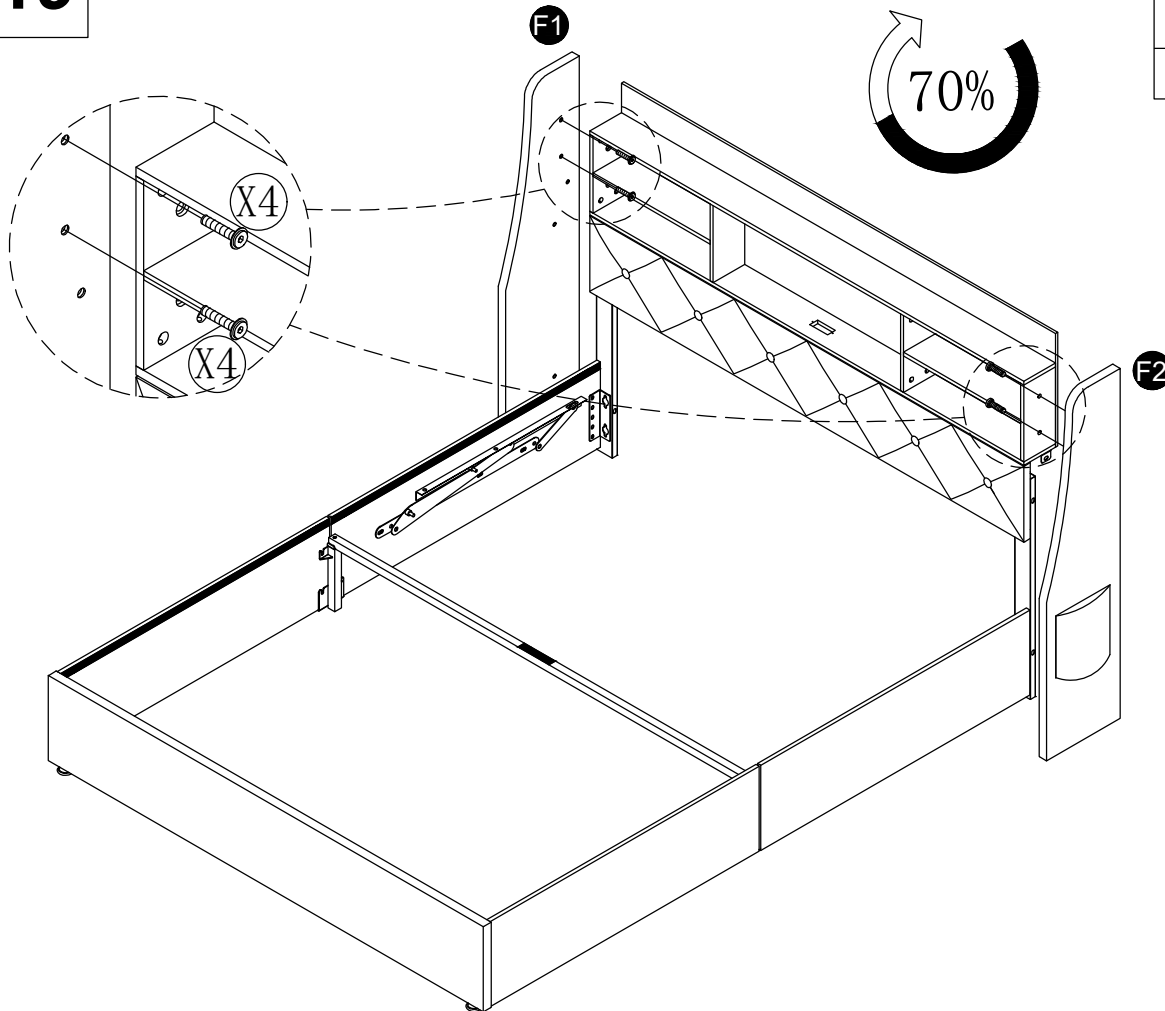
X7  
M8\*10MM  
6PCS



**Note: Two people are required for this installation step.**

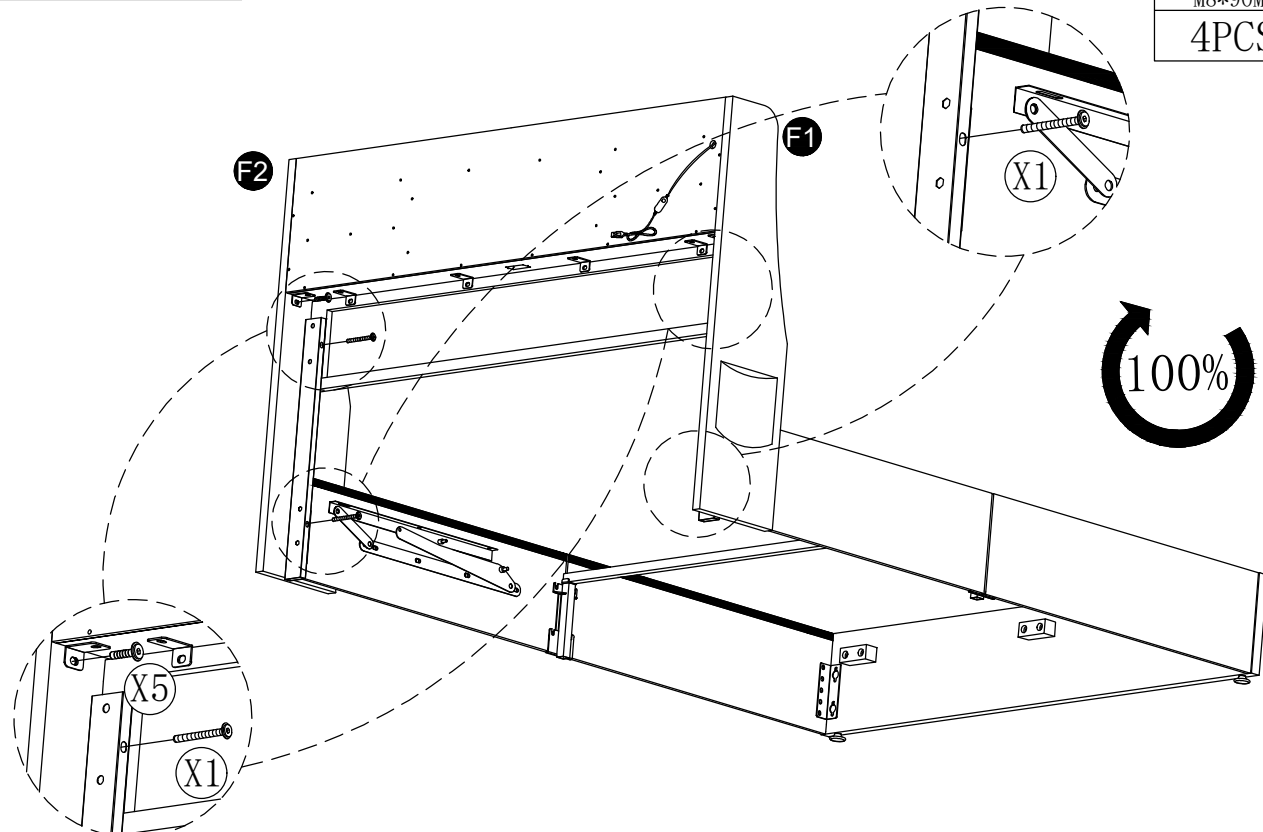
# step19

X4  
M8\*30MM  
4PCS



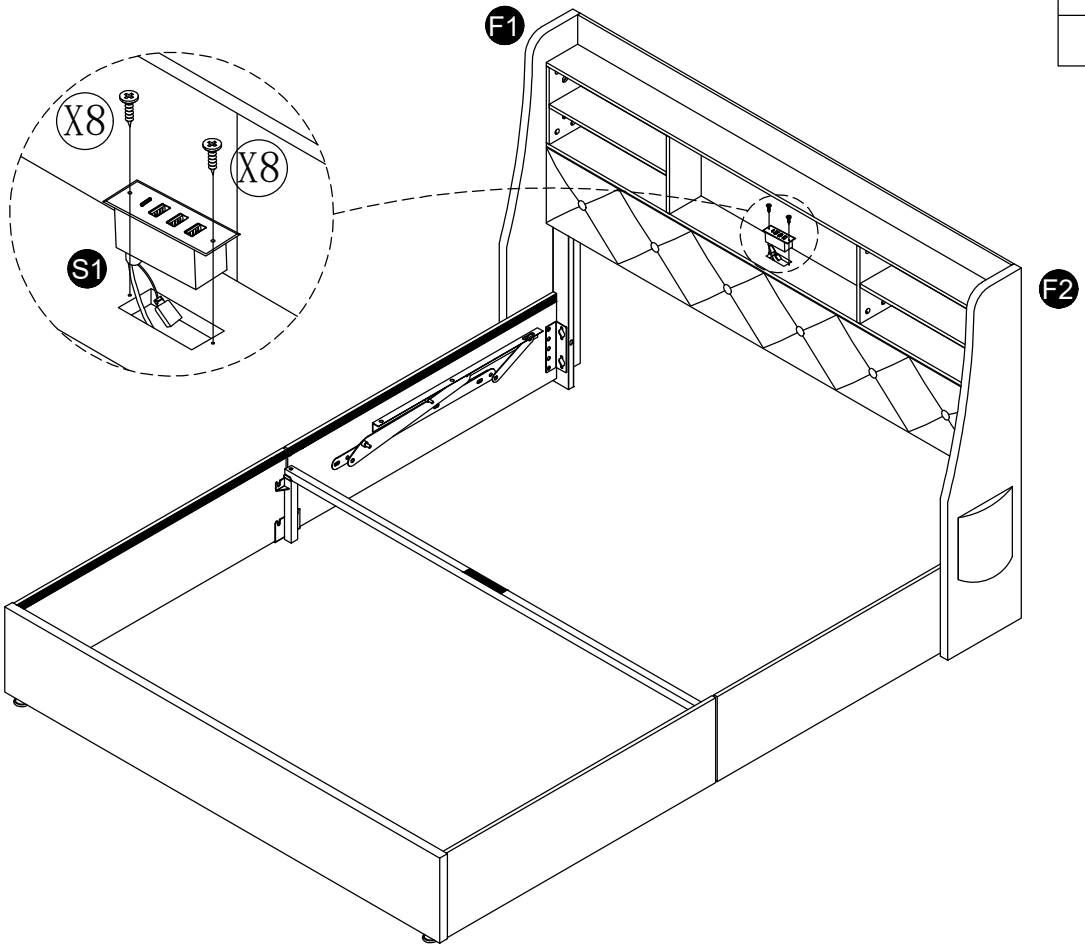
# step20

X1 M8*90MM 4PCS	X5 M8*25MM 2PCS
-----------------------	-----------------------



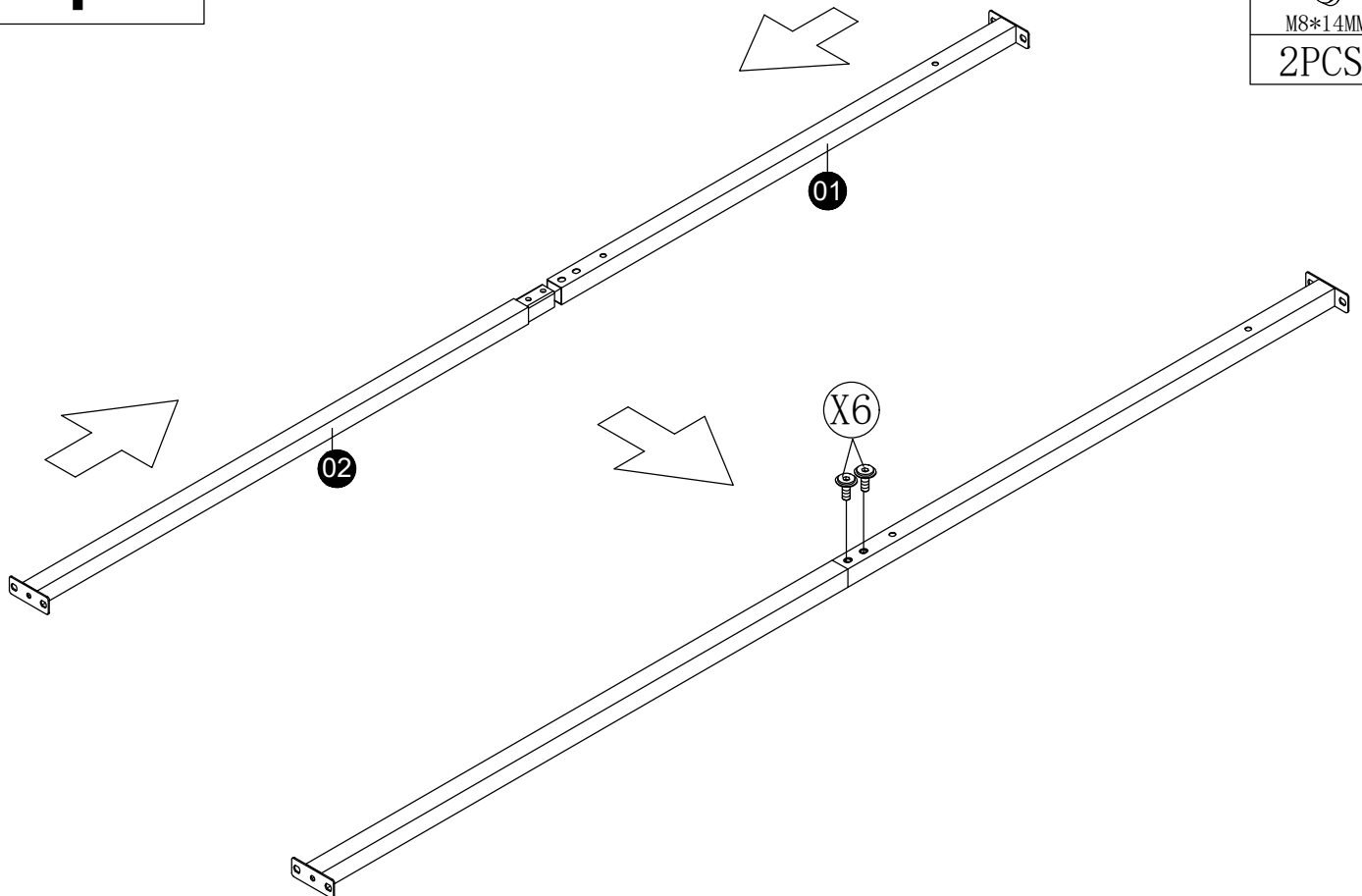
# step21

X8  
M3\*15MM  
2PCS

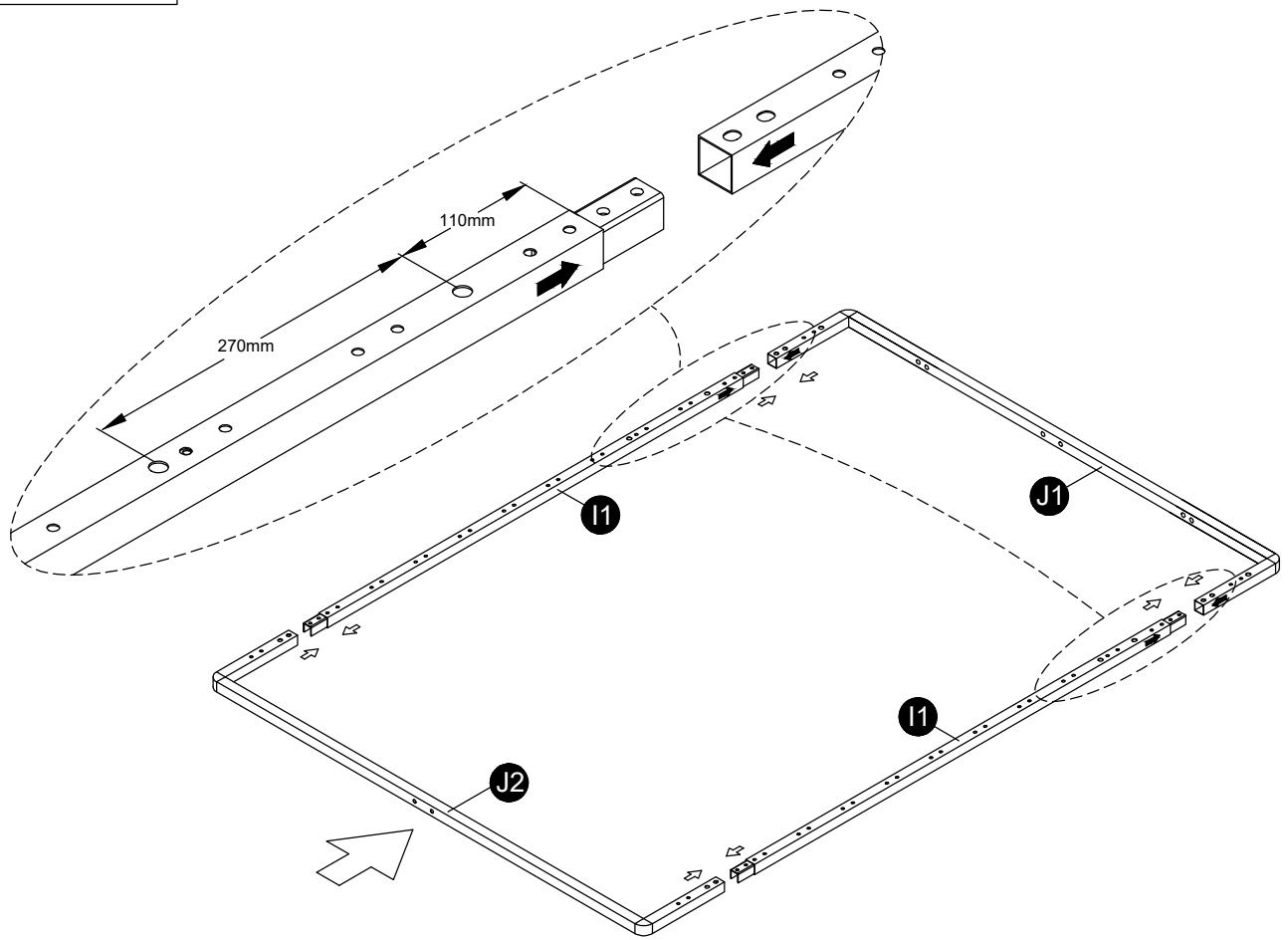


# step22

X6  
M8\*14MM  
2PCS

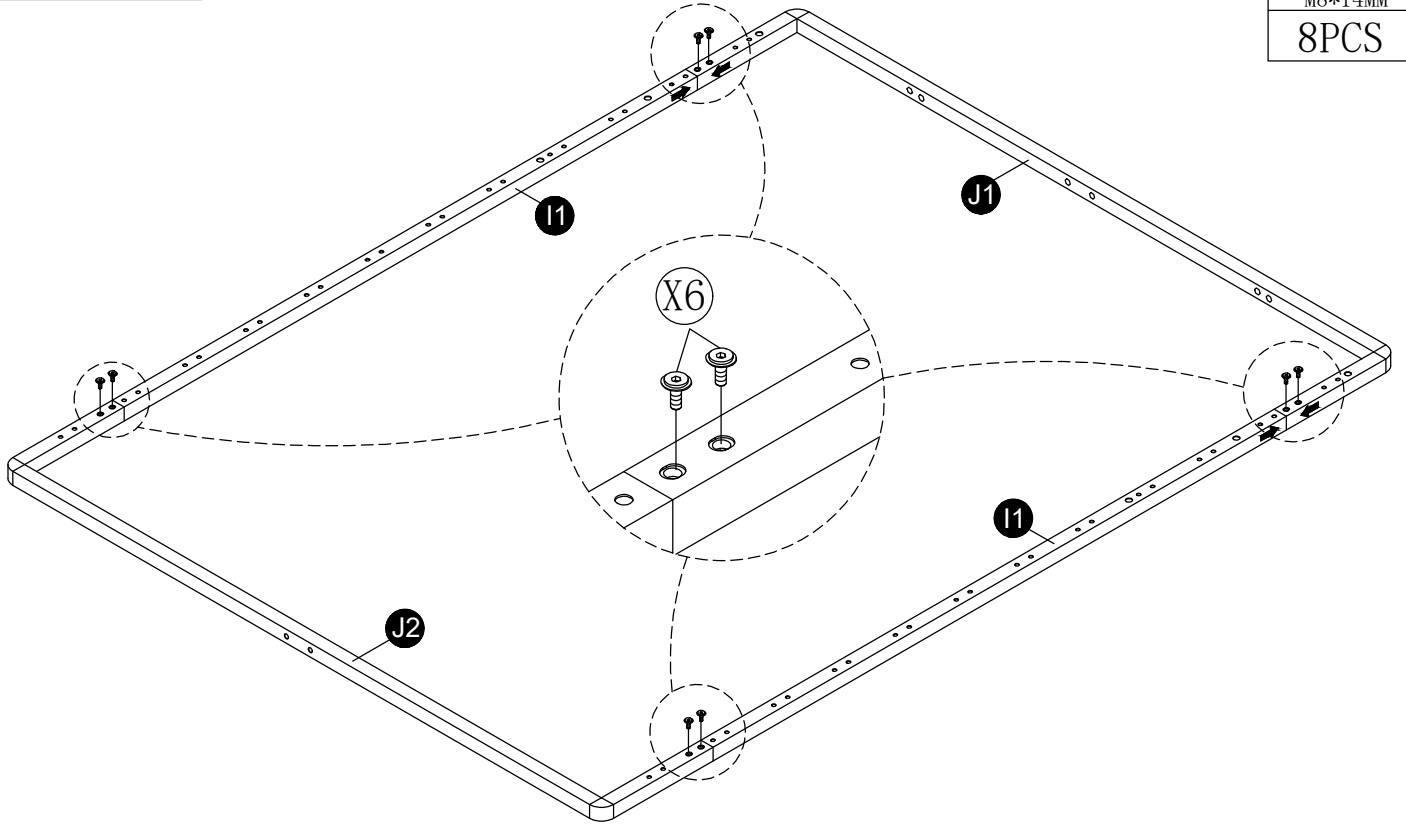


# step23



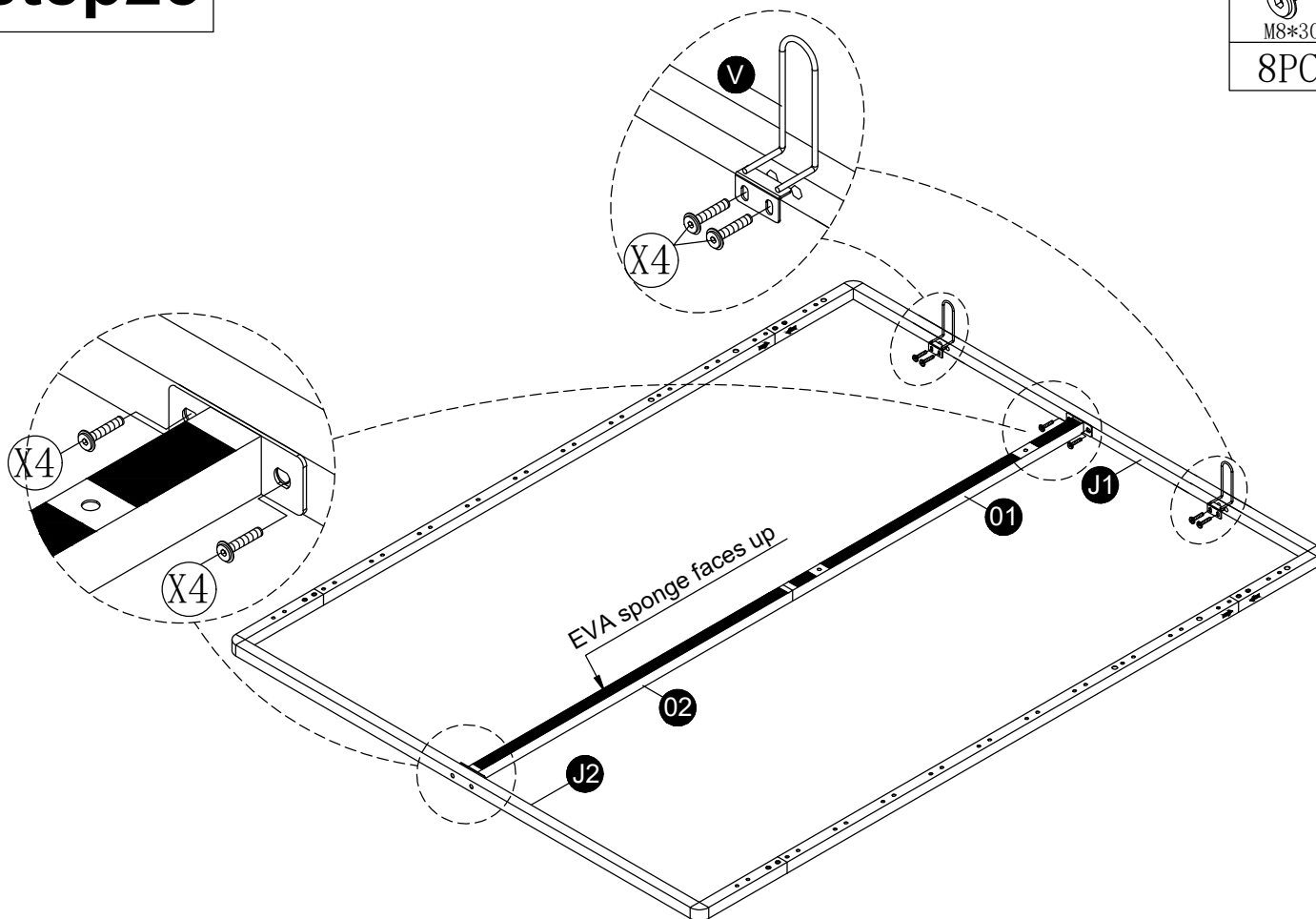
# step24

X6  
M8\*14MM  
8PCS



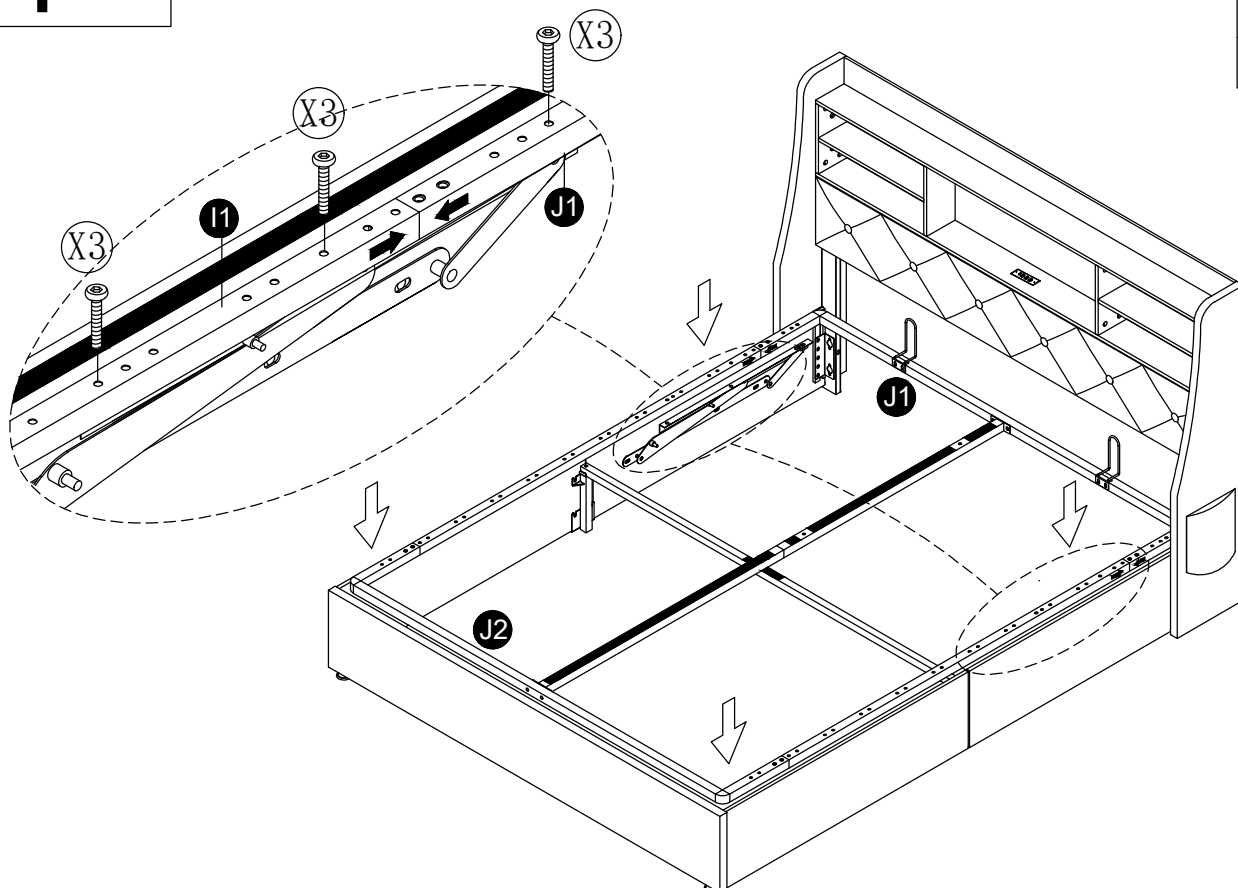
# step25

X4  
M8\*30MM  
8PCS



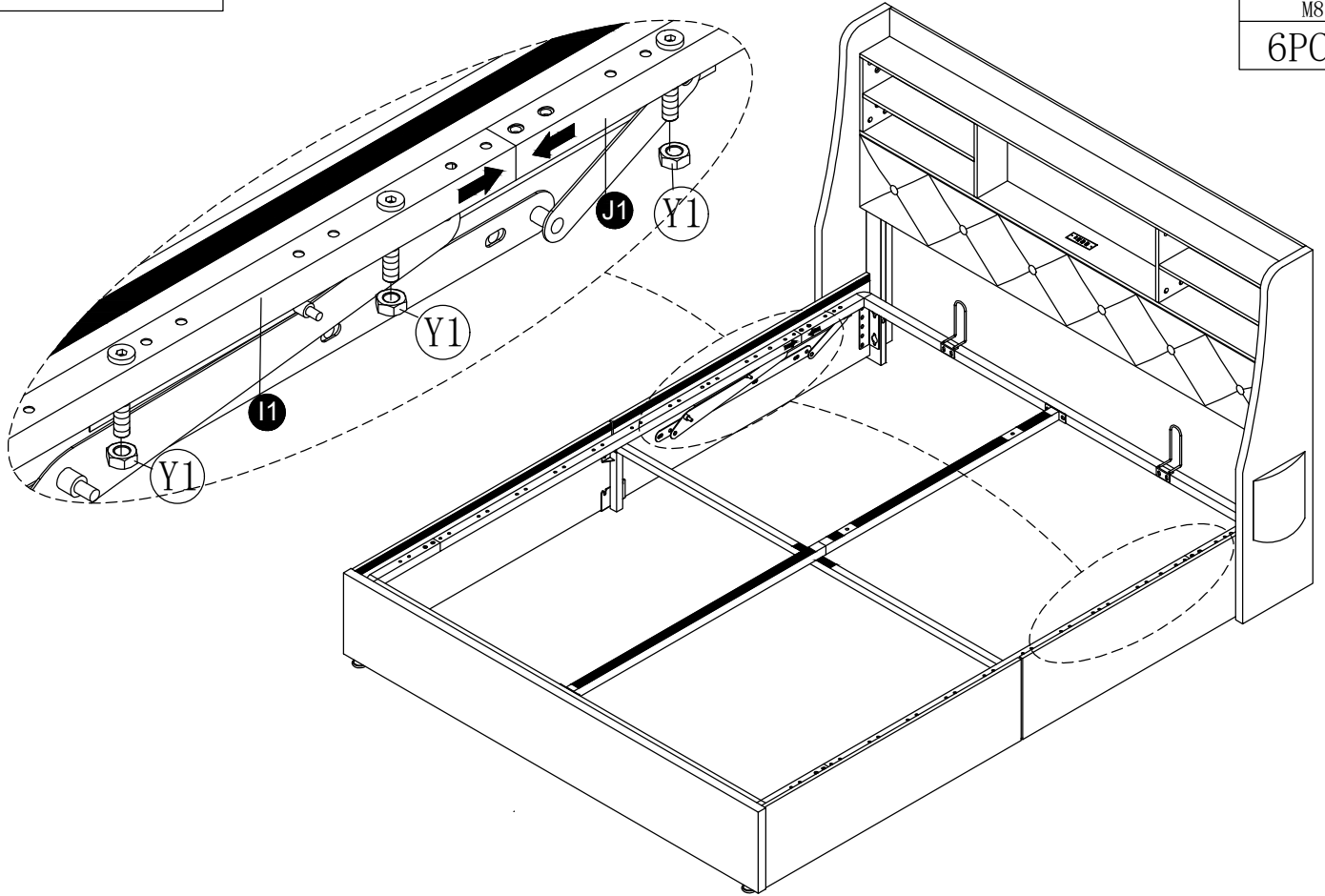
# step26

X3  
M8\*45MM  
6PCS



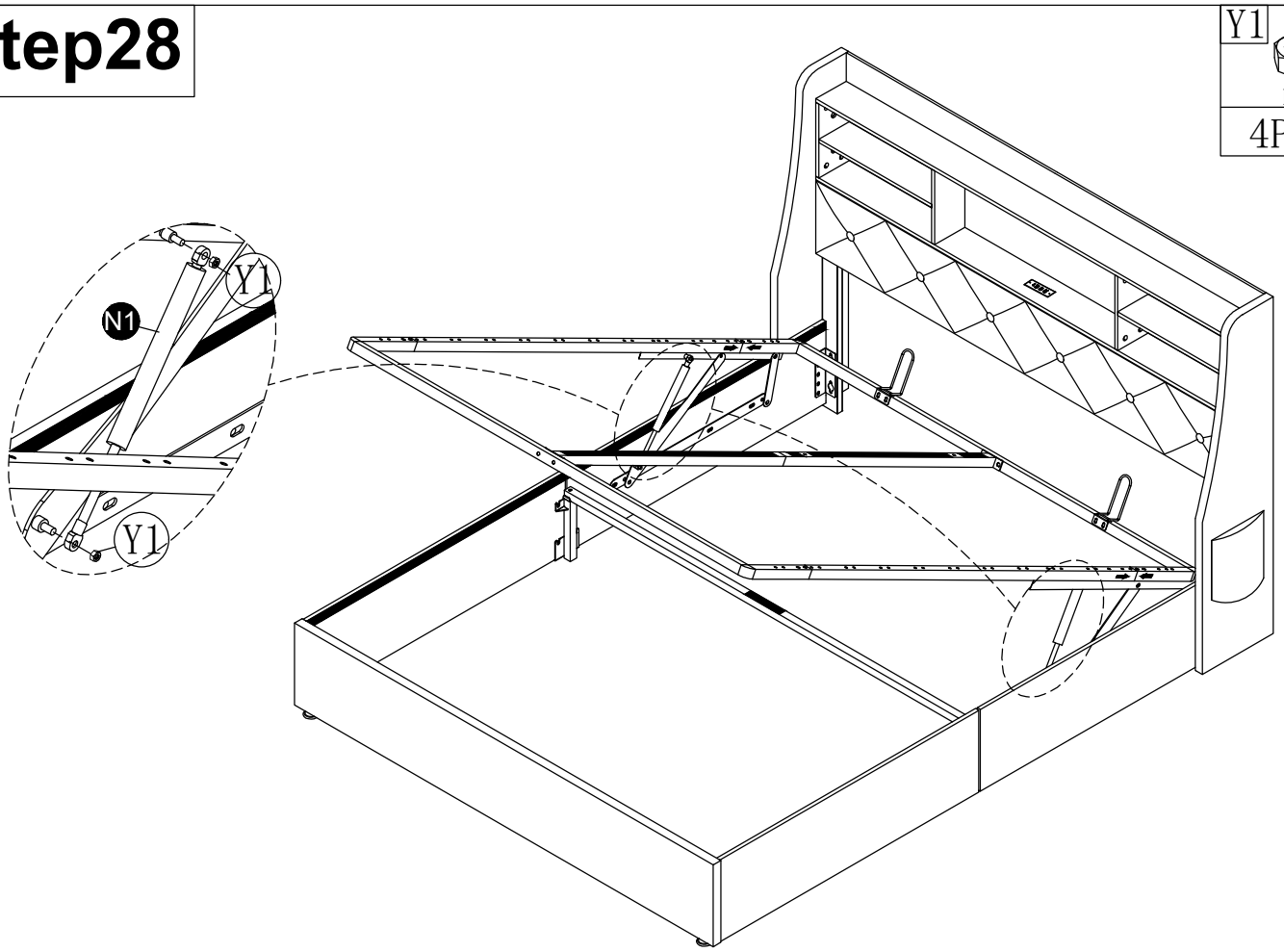
# step27

Y1  
M8  
6PCS



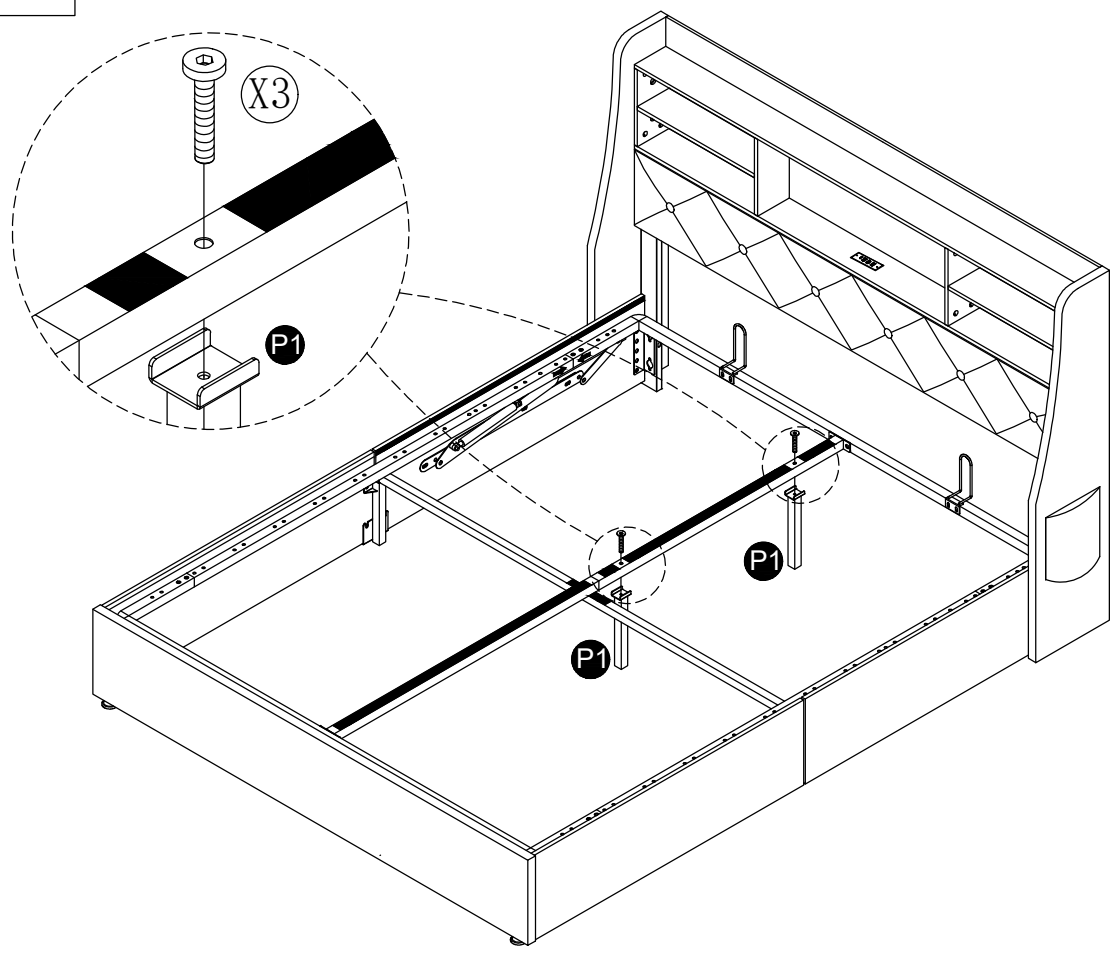
# step28

Y1  
M8  
4PCS

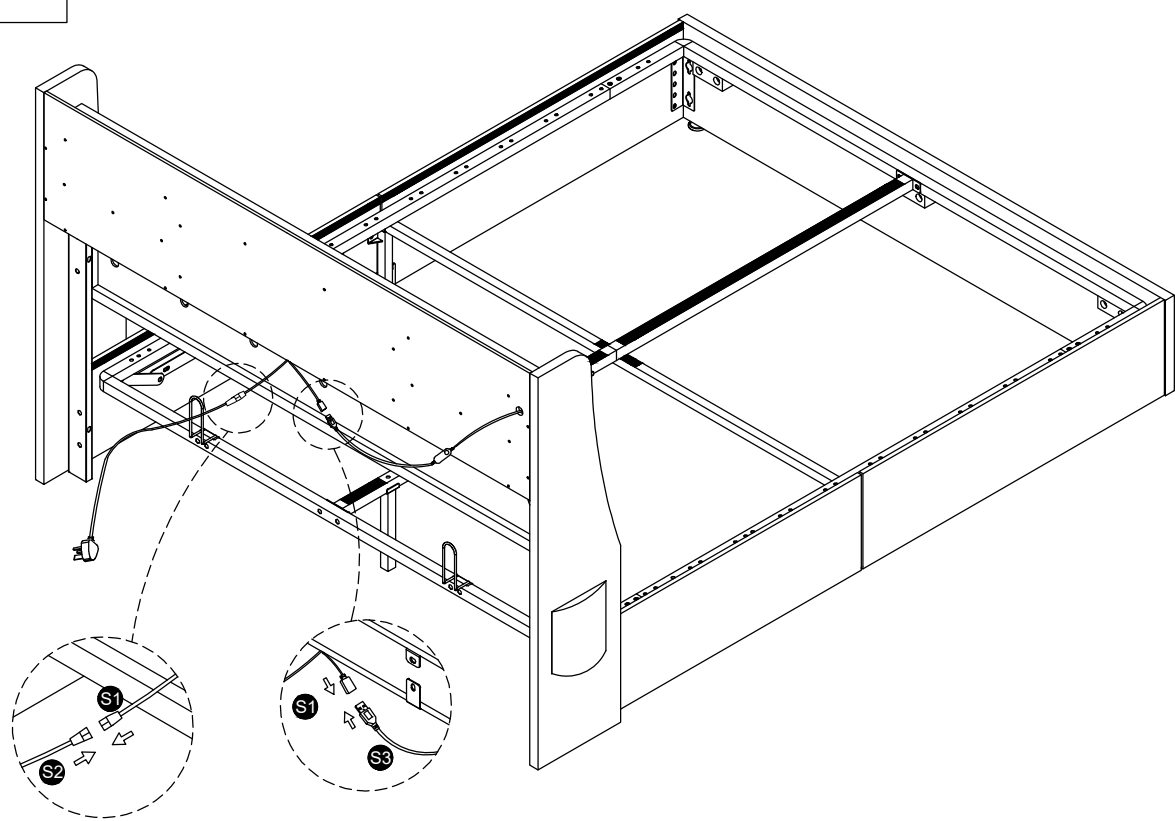


# step29

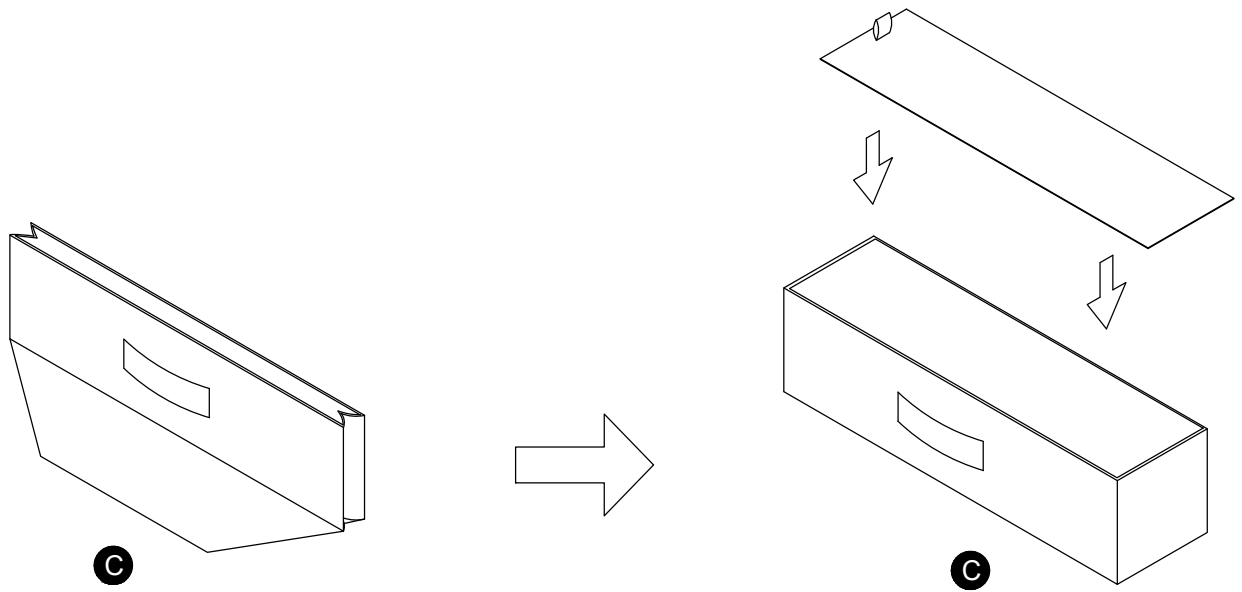
X3  
M8\*45MM  
2PCS



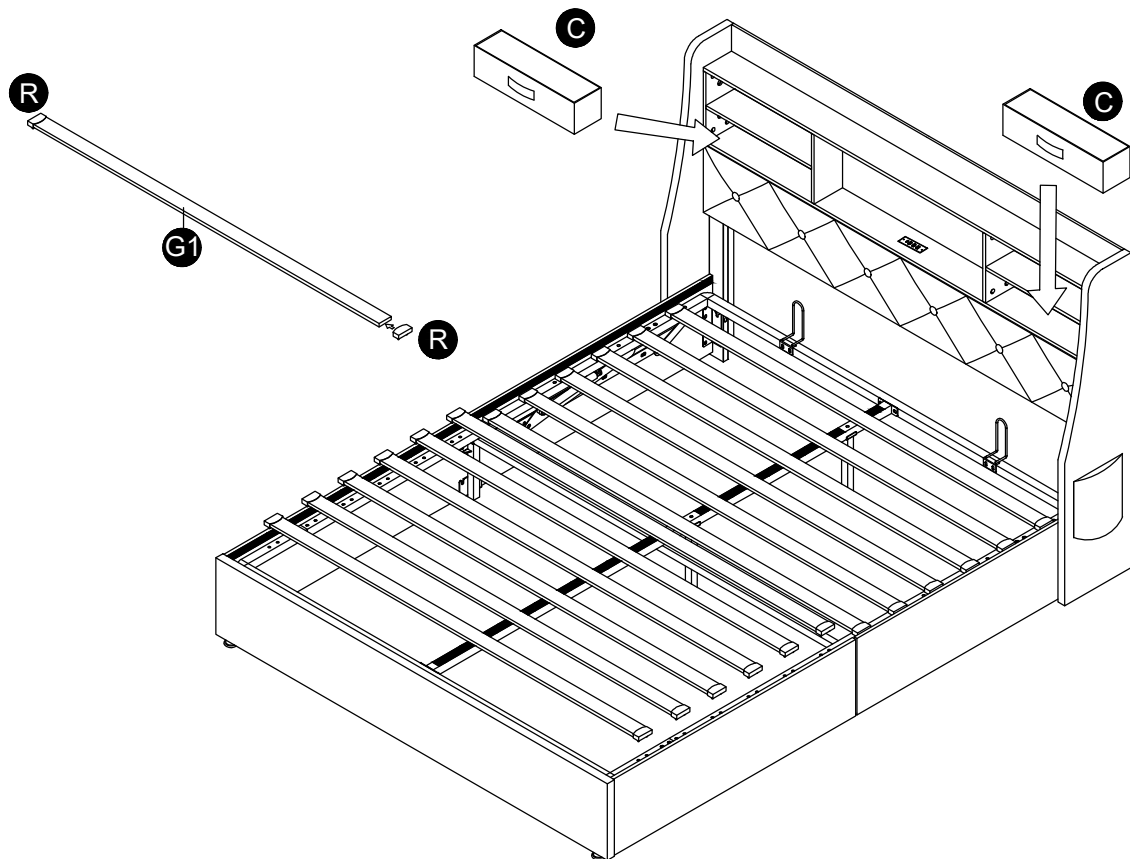
# step30



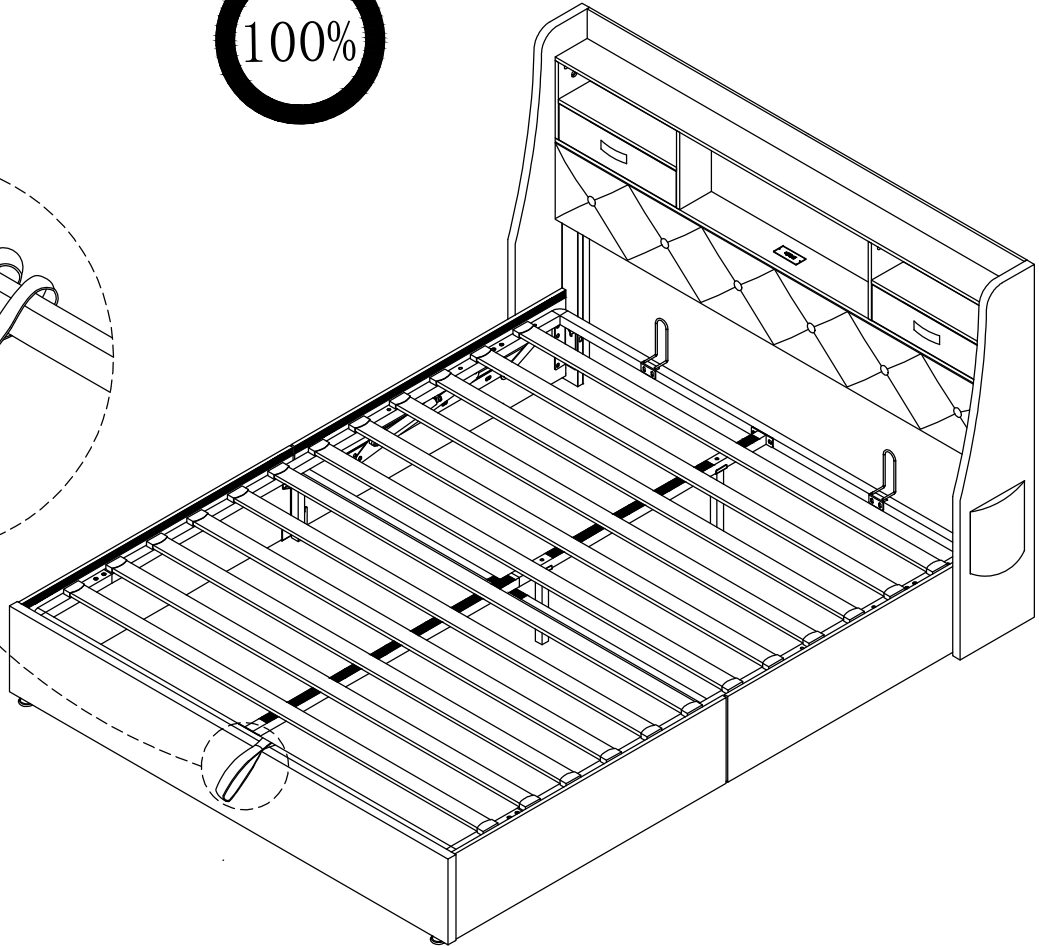
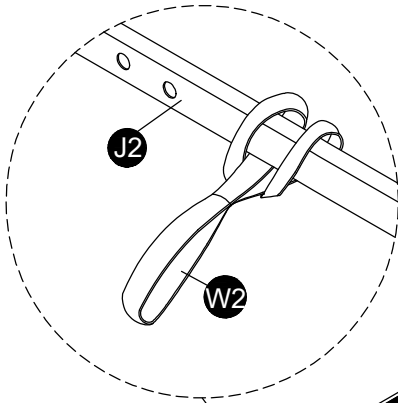
# step31



# step32



## step33



## step32

### IMPORTANT NOTICE OTTOMAN OPERATING INSTRUCTIONS

Once your bed frame is completely assembled, the slat unit will not operate correctly unless a mattress is placed on the slat frame. Position the mattress on the slat frame whilst it is in the closed position.

**PLEASE NOTE** - It takes a lot of force to make the initial movement of the ottoman. This is a design feature of the product so that it does not fall shut - the nearer to being closed the ottoman is, the easier it is to move. When the ottoman is almost shut, it will close completely under its own weight.

When lowering the slat unit for the first time, take care to make sure it does not rub unevenly on the inside face of the side rails. If it does, the bed has been assembled slightly out of square. This can be rectified by moving the foot end of the bed slightly to the left or right whilst leaving the head end stationary.

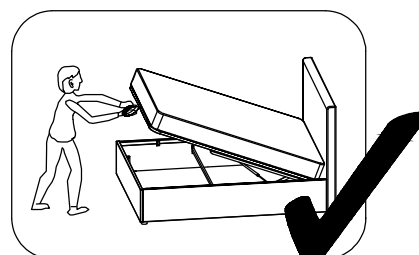
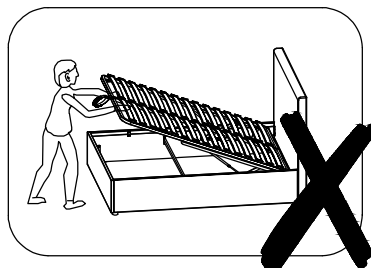
#### PISTONS

The pistons used in the construction of this product are extremely strong and cannot be operated by hand when taken off the ottoman. All pistons are tested for correct pressure and operation before being attached to the slat unit.

Initially it might appear that the pistons are very stiff when opening and closing the ottoman.

#### THIS IS PERFECTLY NORMAL

When fully assembled and the mattress is in position, please raise and lower the ottoman 4/5 times to ensure the gas piston are fully lubricated.



## EN:Battery Safety Instructions

1. Do not dispose of used button batteries or remote controls in household trash. To protect the environment and prevent hazardous leakage, please follow these guidelines:
2. Remove button batteries after use and take them to a local battery recycling point or hazardous waste collection site.
3. Do not burn or dismantle the batteries to avoid explosion or toxic release.
4. If the remote control is no longer in use, please deliver it to a certified electronics recycling facility to promote resource reuse.
5. Keep out of reach of children to prevent accidental ingestion or injury.
6. This product does not include batteries; please purchase them separately. The compatible button cell model for the remote control is CR2025 3V.
7. If the light strip is not working, please try replacing the battery first. If the issue persists, contact the seller for assistance.
8. **Keep the remote control away from children — keep it away from children!** If the battery is accidentally swallowed, seek medical attention immediately.

## DE: Batteriesicherheitshinweise

1. Entsorgen Sie gebrauchte Knopfzellen oder Fernbedienungen nicht im Hausmüll. Um die Umwelt zu schützen und gefährliche Leckagen zu vermeiden, beachten Sie bitte die folgenden Hinweise:
2. Entfernen Sie die Knopfzelle nach dem Gebrauch und bringen Sie sie zu einer örtlichen Batteriesammelstelle oder einem Sondermüllentsorgungszentrum.
3. Batterien nicht verbrennen oder zerlegen, um Explosionen oder die Freisetzung giftiger Stoffe zu vermeiden.
4. Wenn die Fernbedienung nicht mehr verwendet wird, bringen Sie sie zu einer zertifizierten Elektronik-Recyclingstelle, um eine Wiederverwertung zu ermöglichen.
5. Außerhalb der Reichweite von Kindern aufbewahren, um versehentliches Verschlucken oder Verletzungen zu verhindern.
6. Dieses Produkt enthält keine Batterien. Bitte kaufen Sie diese separat. Das kompatible Knopfzellenmodell für die Fernbedienung ist CR2025, 3V.
7. Wenn der Lichtstreifen nicht funktioniert, versuchen Sie zunächst, die Batterie zu wechseln. Besteht das Problem weiterhin, kontaktieren Sie bitte den Verkäufer.
8. **Halten Sie die Fernbedienung unbedingt von Kindern fern — unbedingt fernhalten!** Wird die Batterie versehentlich verschluckt, suchen Sie sofort medizinische Hilfe auf.

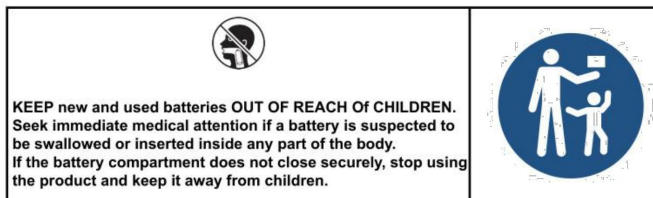
## FR:Instructions de sécurité pour les piles

1. Ne jetez pas les piles bouton usagées ou les télécommandes à la poubelle ménagère. Pour protéger l' environnement et éviter tout risque de fuite dangereuse, veuillez suivre les consignes suivantes :
2. Retirez les piles bouton après usage et déposez-les dans un point de collecte local ou un centre de déchets dangereux.
3. Ne brûlez pas et ne démontez pas les piles, cela pourrait entraîner une explosion ou libérer des substances toxiques.
4. Si la télécommande n'est plus utilisée, déposez-la dans un centre de recyclage agréé pour appareils électroniques, afin de favoriser la réutilisation des ressources.
5. Gardez hors de portée des enfants pour éviter tout risque d'ingestion accidentelle ou de blessure.

6.Ce produit ne contient pas de pile. Veuillez l'acheter séparément. Le modèle de pile bouton compatible pour la télécommande est CR2025, 3V.

7.Si le ruban LED ne fonctionne pas, essayez d'abord de remplacer la pile. Si le problème persiste, contactez le vendeur.

**8.Tenez la télécommande éloignée des enfants — éloignez-la vraiment !** En cas d'ingestion accidentelle de la pile, consultez immédiatement un médecin.



**If a battery has been ingested, or there is a possibility one might have been ingested, please seek medical attention and inform the medical authorities that you suspect battery ingestion.**

**It's not always clear when a child has swallowed a button battery, as there are no specific symptoms.However, they might:**

- cough, gag, or drool;
- seem to have a stomach bug or virus;
- vomit;
- complain of pain in their stomach, chest, or throat;
- appear tired or sluggish; and
- lose their appetite.

**Since the signs aren't obvious, it's important to keep a close eye on loose, used, or spare button batteries in your home, as well as the products that contain them.**

