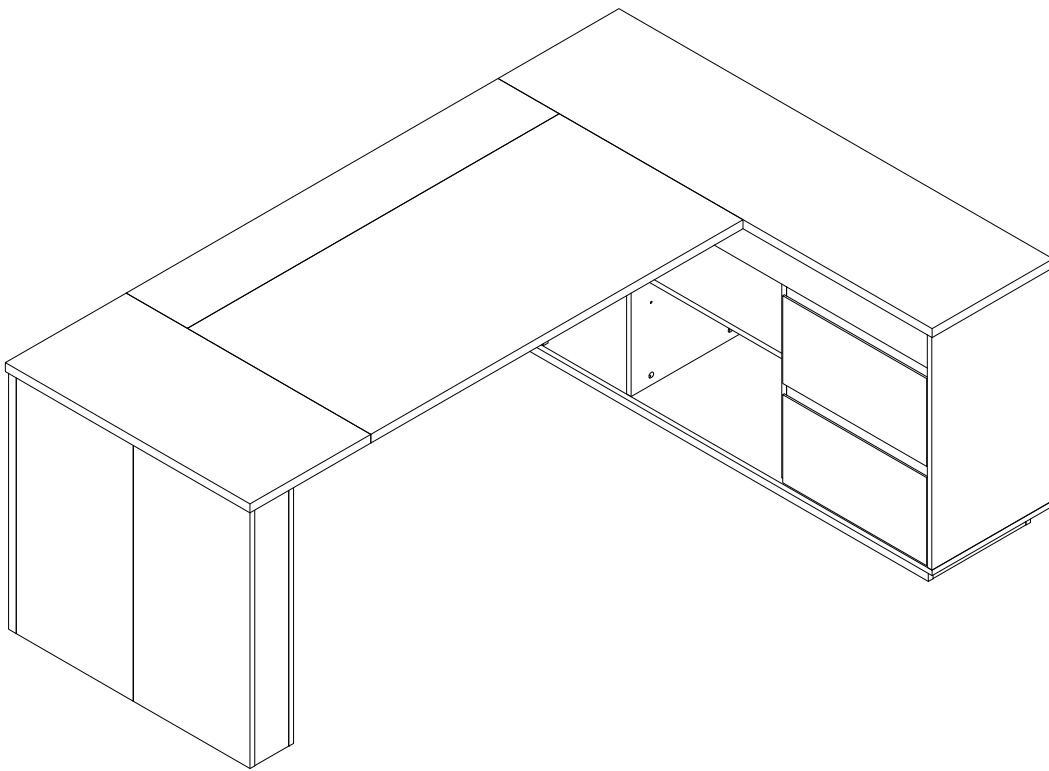
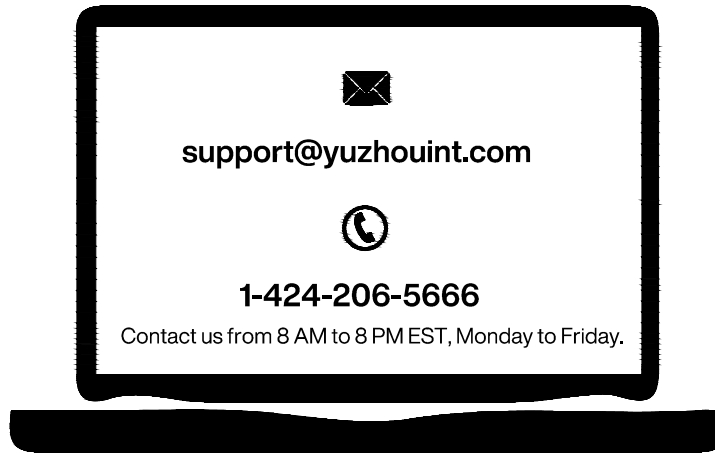


# Assembly Instructions



# Contact Us

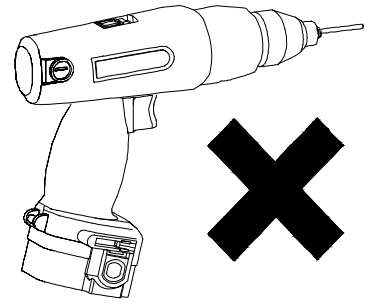
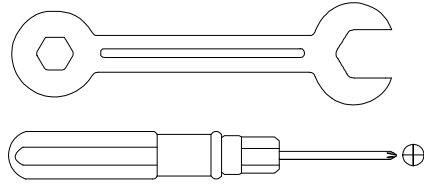
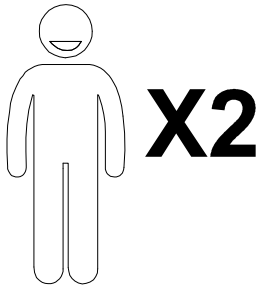
## We're here to help you.



Your satisfaction is our top priority. If you encounter any issues with this product, such as missing or damaged parts, we're here to help. Please retain the original packaging and take photos of the packaging and the product, then contact us as soon as possible.

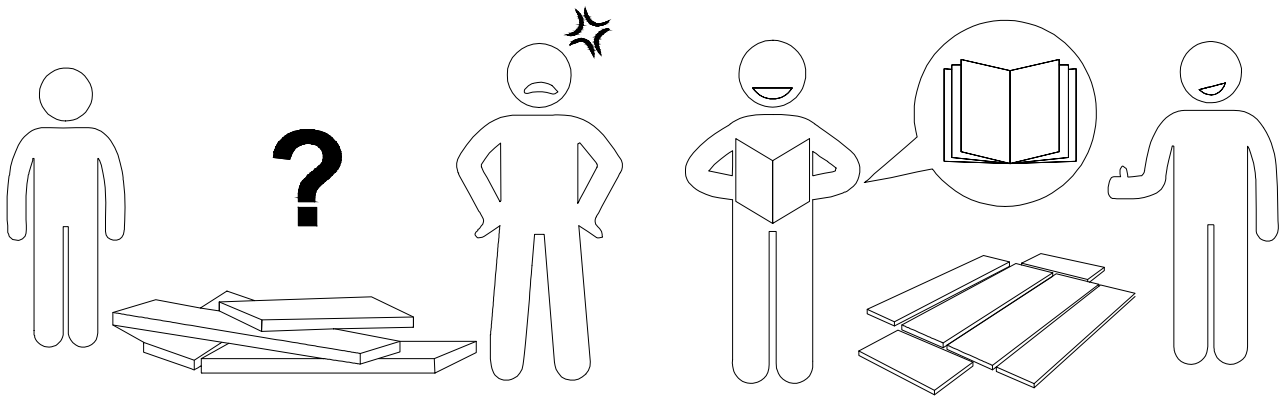
### Warm Tips

1. Carefully read these instructions and keep them for future reference.
2. Check the parts list and confirm everything's there before starting assembly.
3. When assembling, put all parts on a soft, smooth surface like a carpet to avoid scratches.
4. Don't fully tighten screws until all parts are confirmed in place to avoid misalignment.



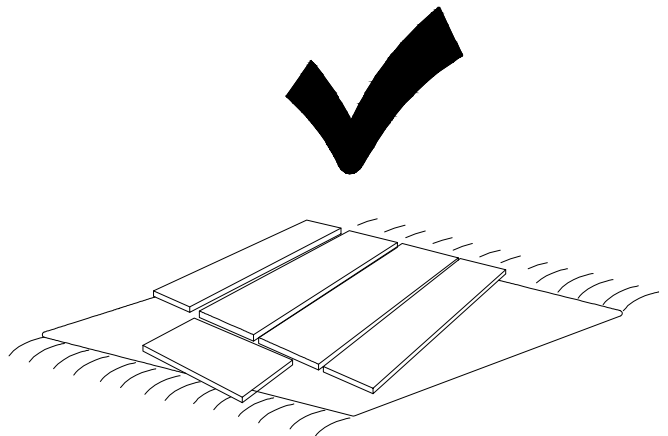
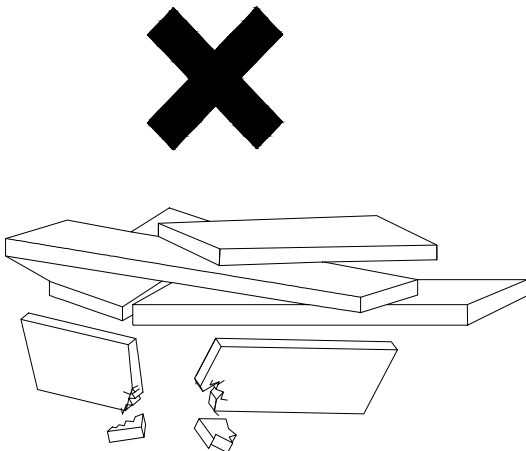
We recommend using hand tools for assembly.

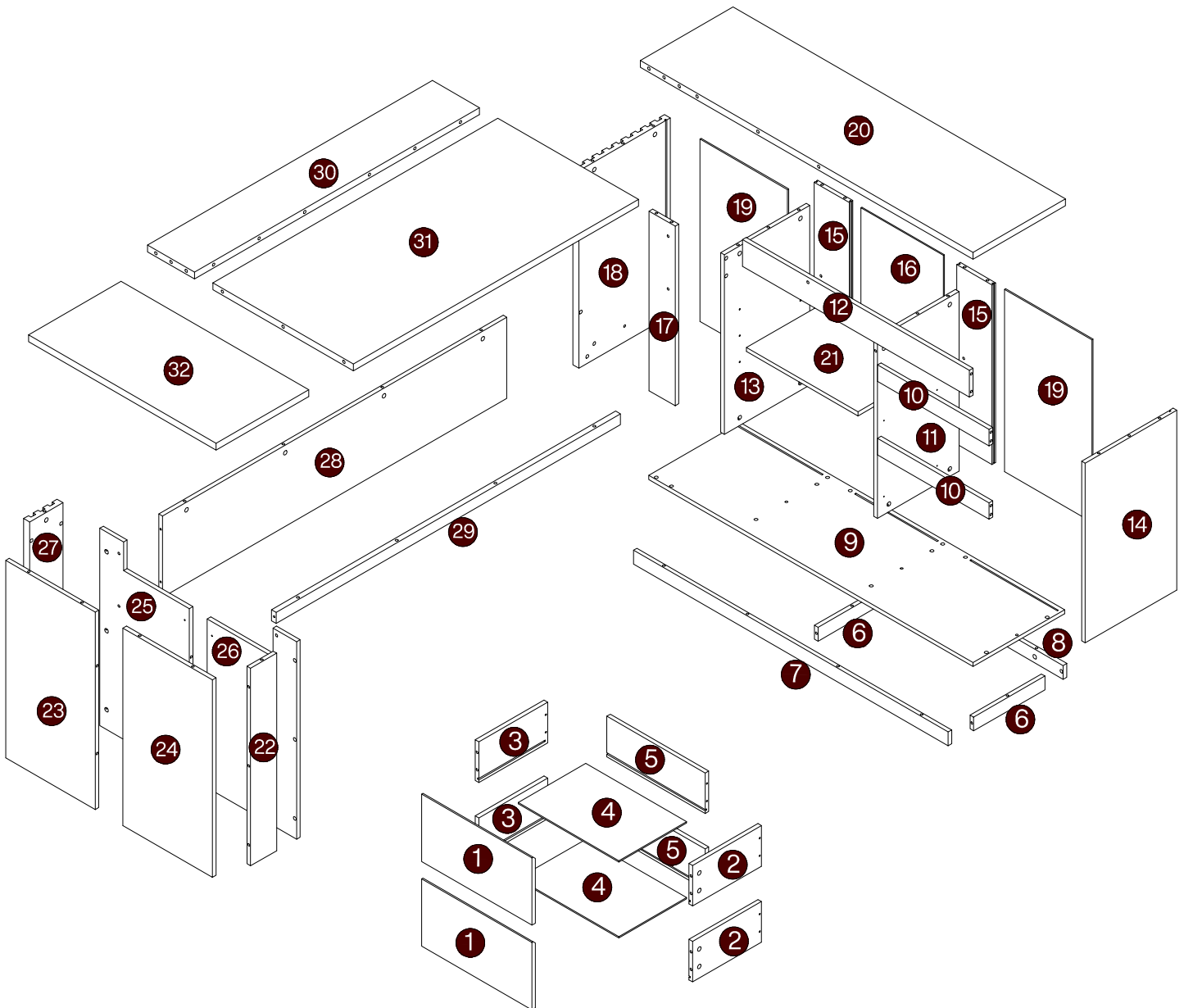
If an electric screwdriver is used, reduce power and torque to avoid damage to the product.



## AVOID SCRATCHES

In order to avoid scratching, this furniture should be assembled on a soft surface, such as a rug.

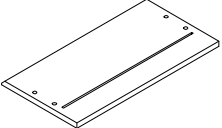
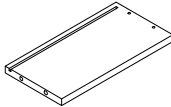
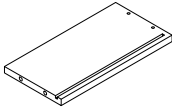
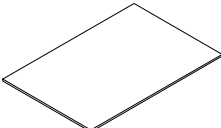
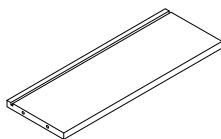
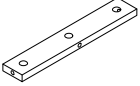
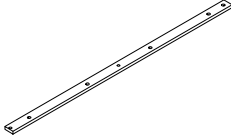
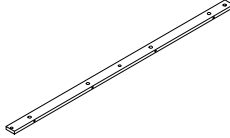
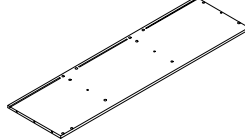
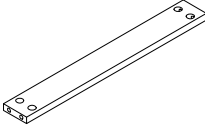
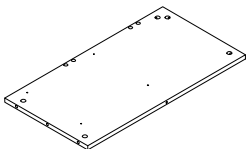
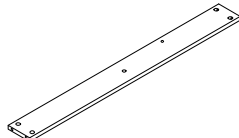
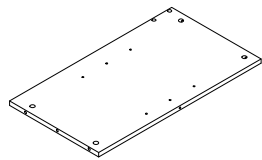
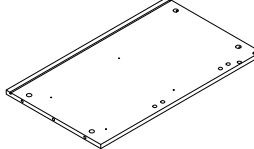
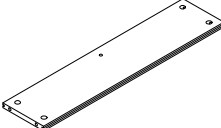
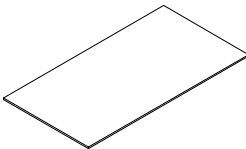
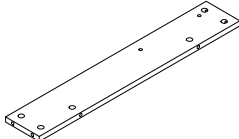
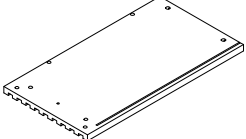
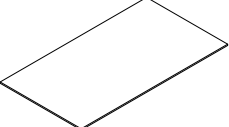
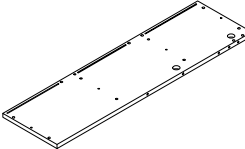
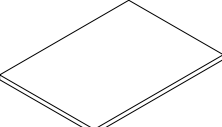
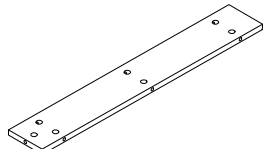
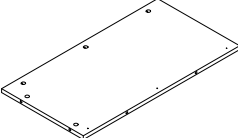
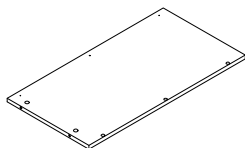
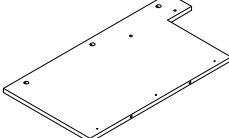




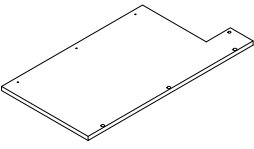
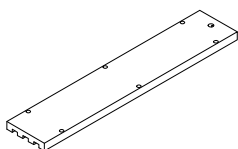
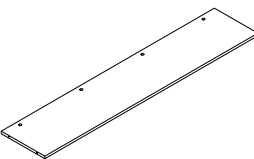
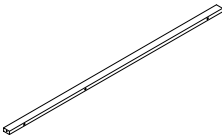
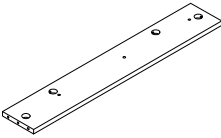
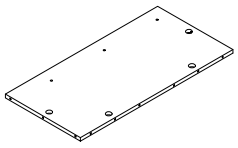
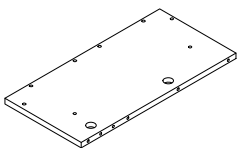
 **Caution**

Make sure all parts are included. Most board parts are labeled or stamped on the raw edge. Contact us for a free replacement if you encounter any damaged or missing parts.

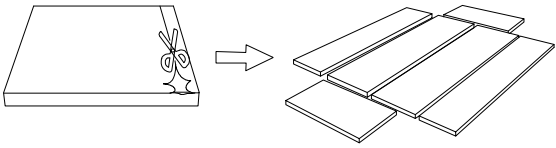
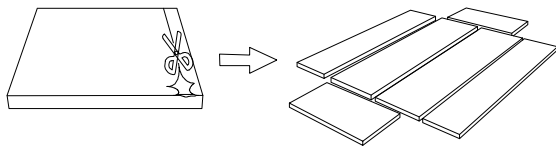
# Parts List

<b>1</b>  2pcs	<b>2</b>  2pcs	<b>3</b>  2pcs	<b>4</b>  2pcs	<b>5</b>  2pcs
<b>6</b>  2pcs	<b>7</b>  1 pc	<b>8</b>  1 pc	<b>9</b>  1 pc	<b>10</b>  2pcs
<b>11</b>  1 pc	<b>12</b>  1 pc	<b>13</b>  1 pc	<b>14</b>  1pc	<b>15</b>  2pcs
<b>16</b>  1pc	<b>17</b>  1 pc	<b>18</b>  1 pc	<b>19</b>  2pcs	<b>20</b>  1 pc
<b>21</b>  1 pc	<b>22</b>  1 pc	<b>23</b>  1 pc	<b>24</b>  1 pc	<b>25</b>  1 pc

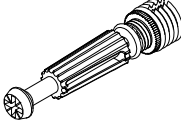
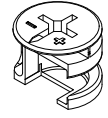
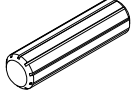
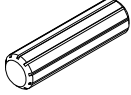
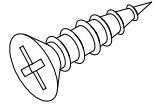

# Parts List

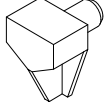
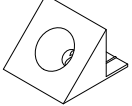
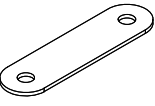
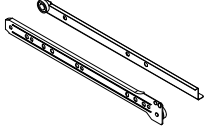
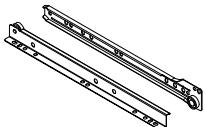
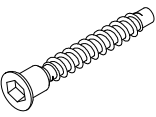
<p><b>26</b></p>  <p>1pc</p>	<p><b>27</b></p>  <p>1pc</p>	<p><b>28</b></p>  <p>1pc</p>	<p><b>29</b></p>  <p>1pc</p>	<p><b>30</b></p>  <p>1pc</p>
<p><b>31</b></p>  <p>1pc</p>	<p><b>32</b></p>  <p>1pc</p>			

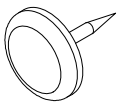
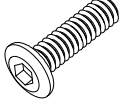
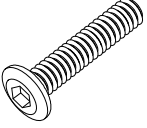
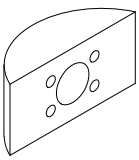
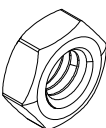
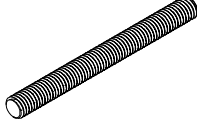
**Before installation, please check if you have received the A, B packages, and check if the parts are complete.**

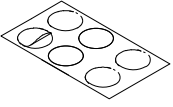


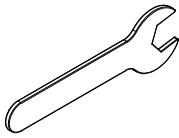
HOGA-YT0014-A						HOGA-YT0014-B					
<b>7</b>	1 pc	<b>8</b>	1 pc	<b>10</b>	2 pcs	<b>1</b>	2 pcs	<b>2</b>	2 pcs	<b>3</b>	2 pcs
<b>12</b>	1 pc	<b>17</b>	1 pc	<b>20</b>	1 pc	<b>4</b>	2 pcs	<b>5</b>	2 pcs	<b>6</b>	2 pcs
<b>22</b>	1 pc	<b>28</b>	1 pc	<b>29</b>	1 pc	<b>9</b>	1 pc	<b>11</b>	1 pc	<b>13</b>	1 pc
<b>30</b>	1 pc	<b>31</b>	1 pc			<b>14</b>	1 pc	<b>15</b>	2 pcs	<b>16</b>	1 pc
						<b>18</b>	1 pc	<b>19</b>	2 pcs	<b>21</b>	1 pc
						<b>23</b>	1 pc	<b>24</b>	1 pc	<b>25</b>	1 pc
						<b>26</b>	1 pc	<b>27</b>	1 pc	<b>32</b>	1 pc
											

# Hardware List

A	B	C	D	E	F
					
M6x35mm	Ø15x12mm	Ø8x30mm	Ø10x30mm	Ø3.5x14mm	Ø3.5x35mm
89 pcs	89 pcs	12 pcs	12 pcs	40 pcs	8 pcs

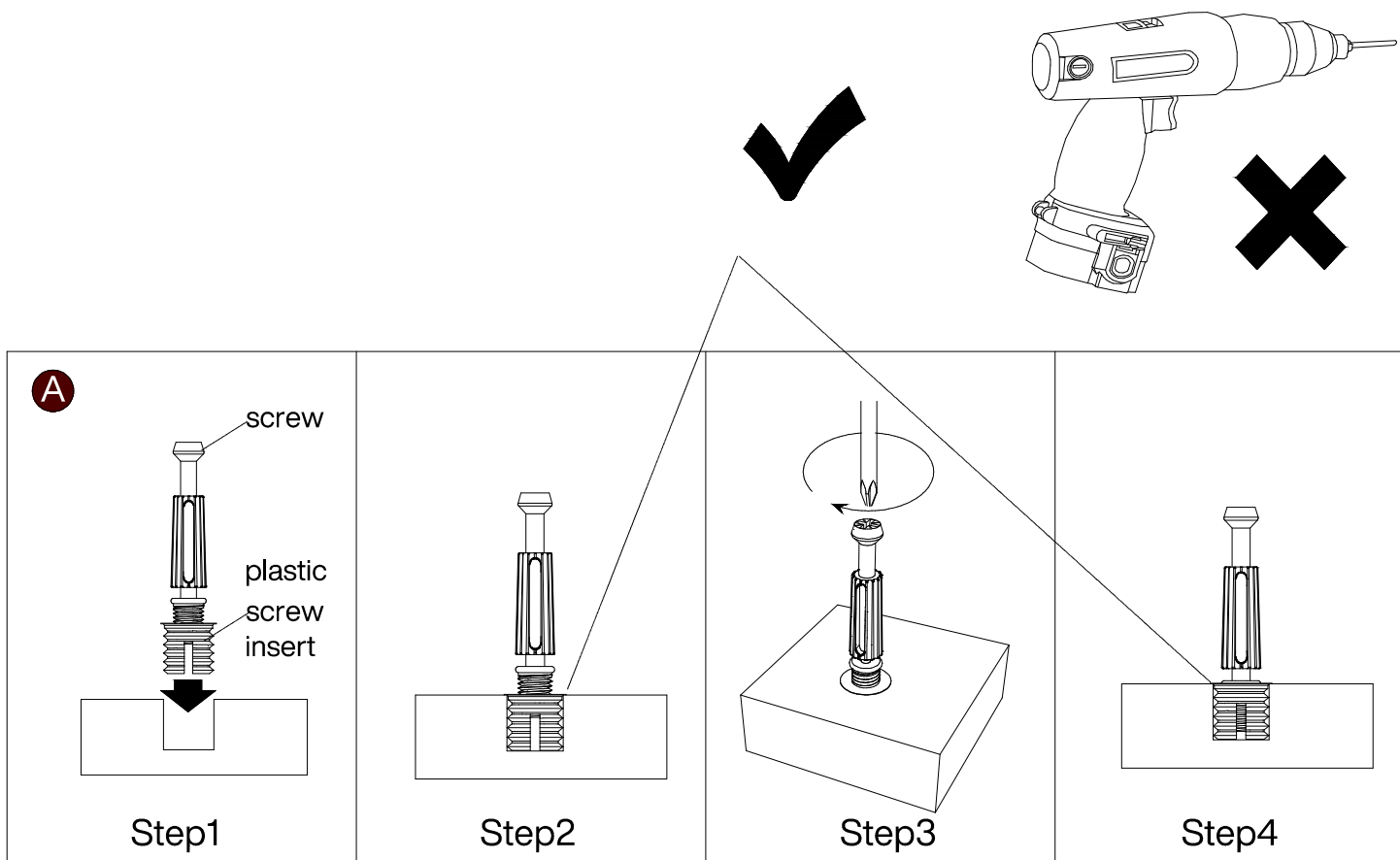
G	H	I	J		K
			J1	J2	
					
4 pcs	12 pcs	6 pcs	2 pcs	2 pcs	M7x38mm 6 pcs

L	M	N	O		P
			O1	O2	
					
16 pcs	M6x30mm 2 pcs	M6x55mm 4 pcs	12 pcs	M8 12 pcs	M8x95mm 6 pcs

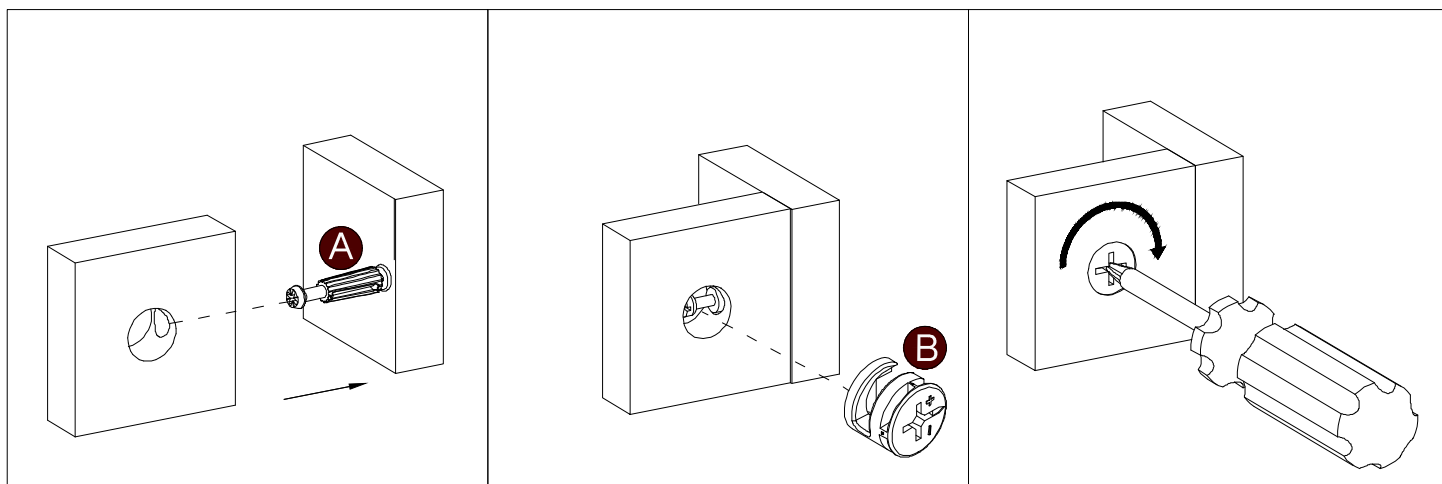
Q	R			
				
Ø21 6 pcs	1 pc	M4 1 pc	M8 2 pcs	

# Installation of Cams and Pins

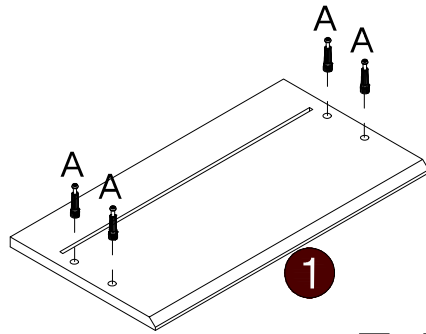
Step 1-2: Align the plastic part with the mounting hole and press it in. If you can't press it in, loosen the screw counter clockwise or completely remove the screw from the plastic part and try again.  
Step 3-4: After pressing the plastic part into place, use a screwdriver to tighten the screw clockwise.



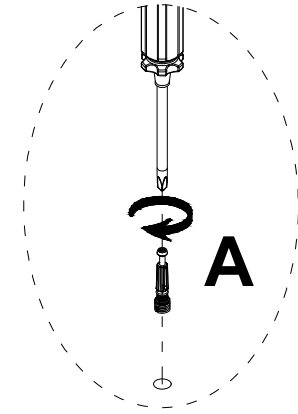
Screw the pin into the hole. Set the cams correctly by aligning the head of the cams with the lock pins. Lock the cam by turning the cam head with a screwdriver until it is tightened. Please do not use an electric screwdriver to assemble the unit.




1

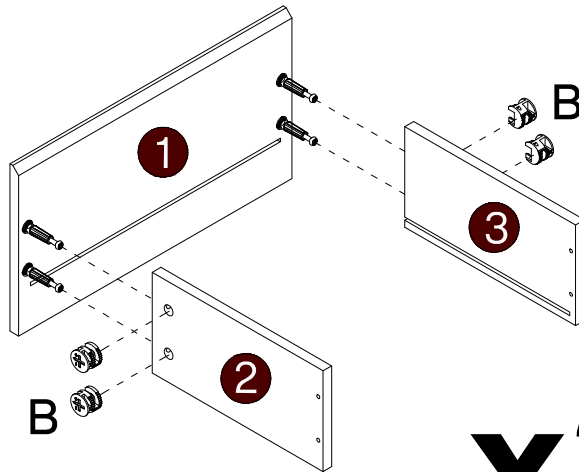


x2

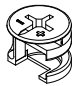


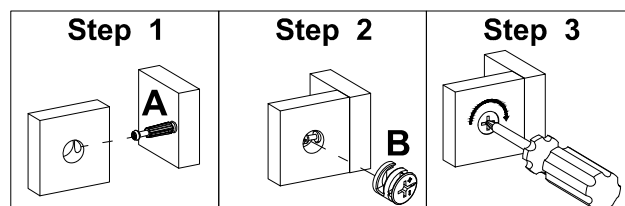
<b>A</b>

M6x35mm
8 pcs

2

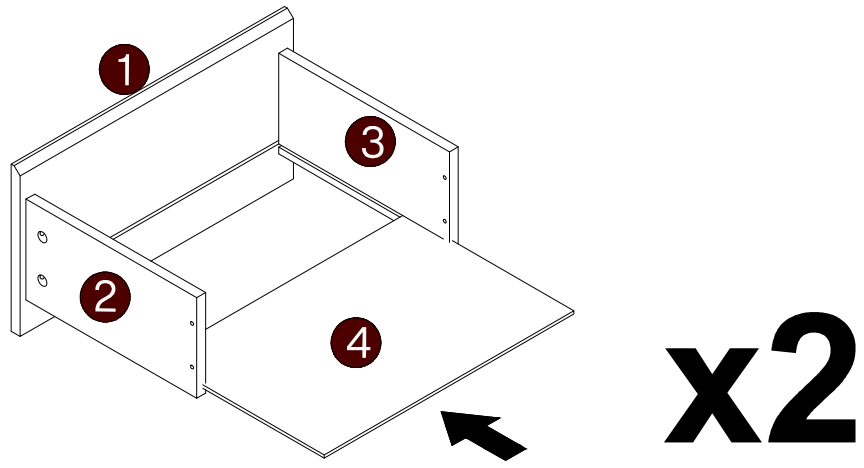


x2

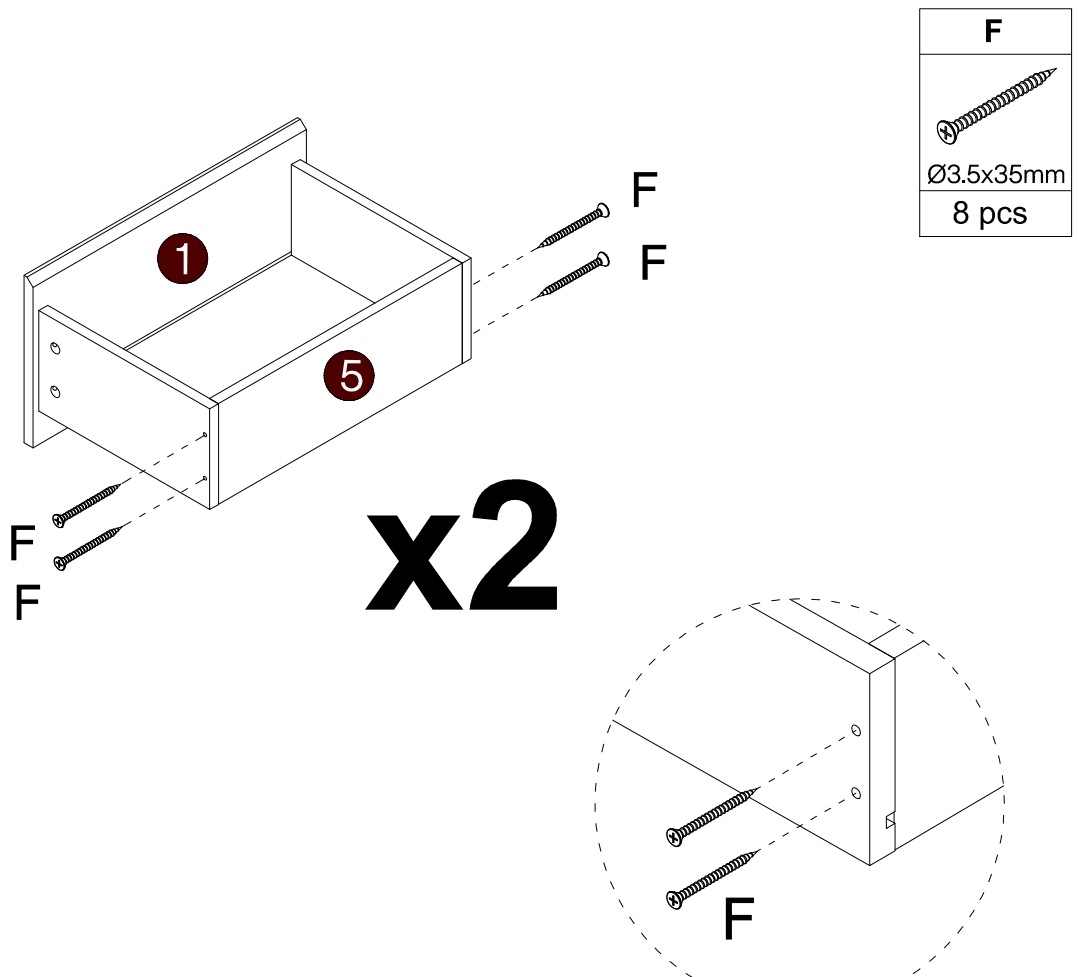
<b>B</b>

Ø15x10mm
8 pcs



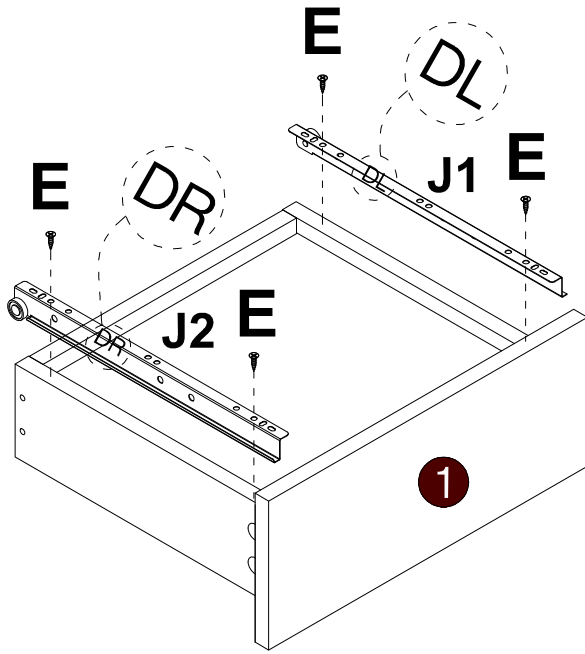
3

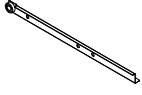
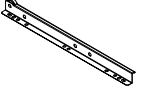
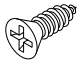


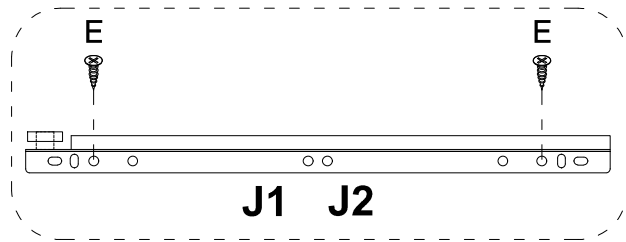
4



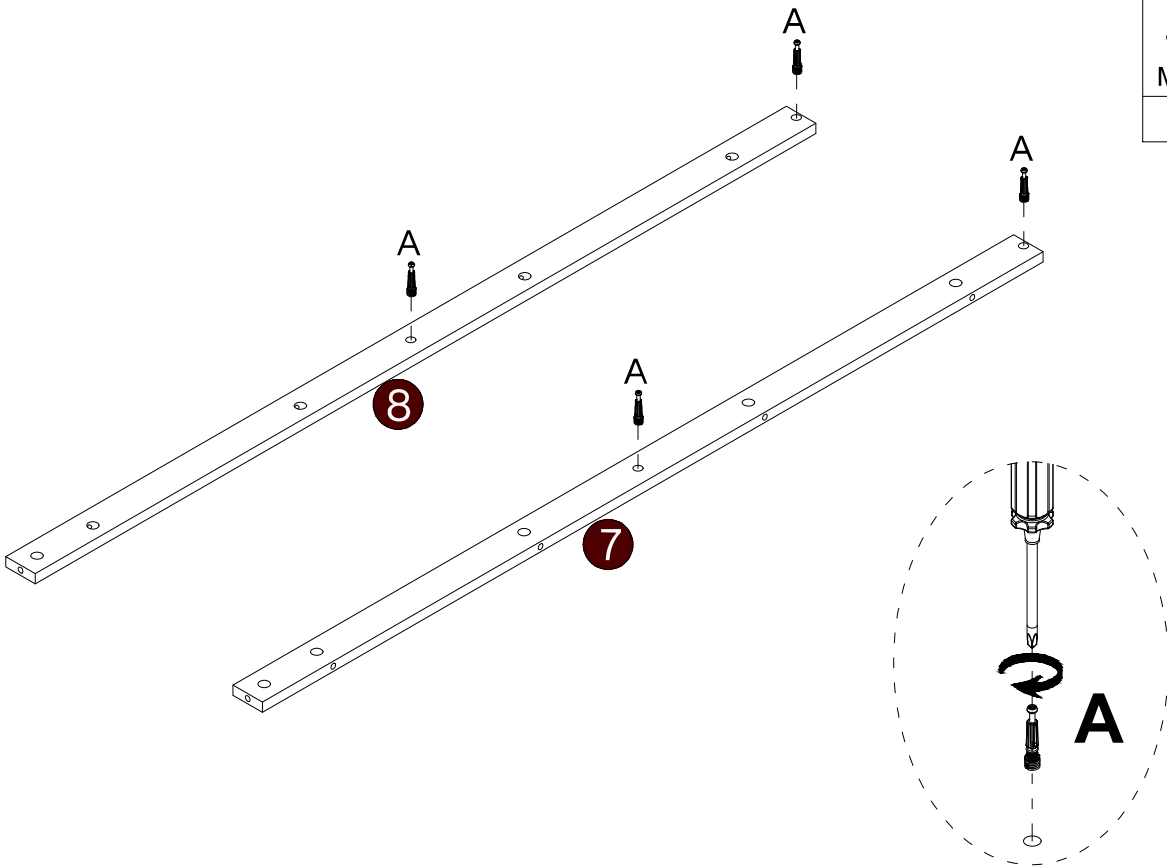
5

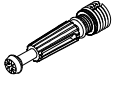


J1	J2	E
		
2 pcs	2 pcs	8 pcs Ø3.5x14mm

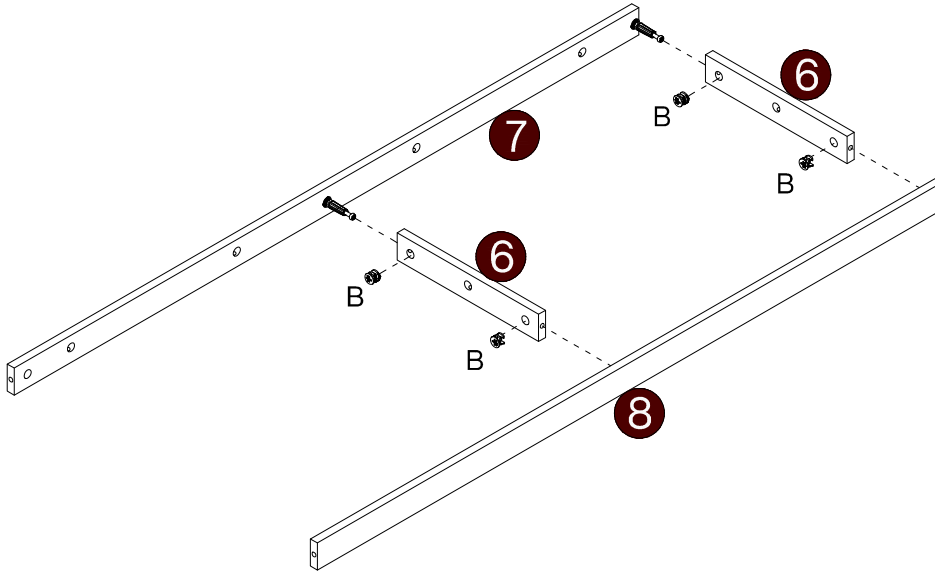



6

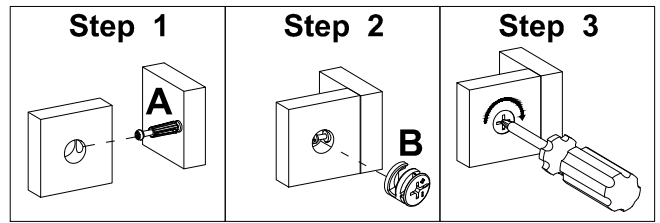


A

M6x35mm
4 pcs

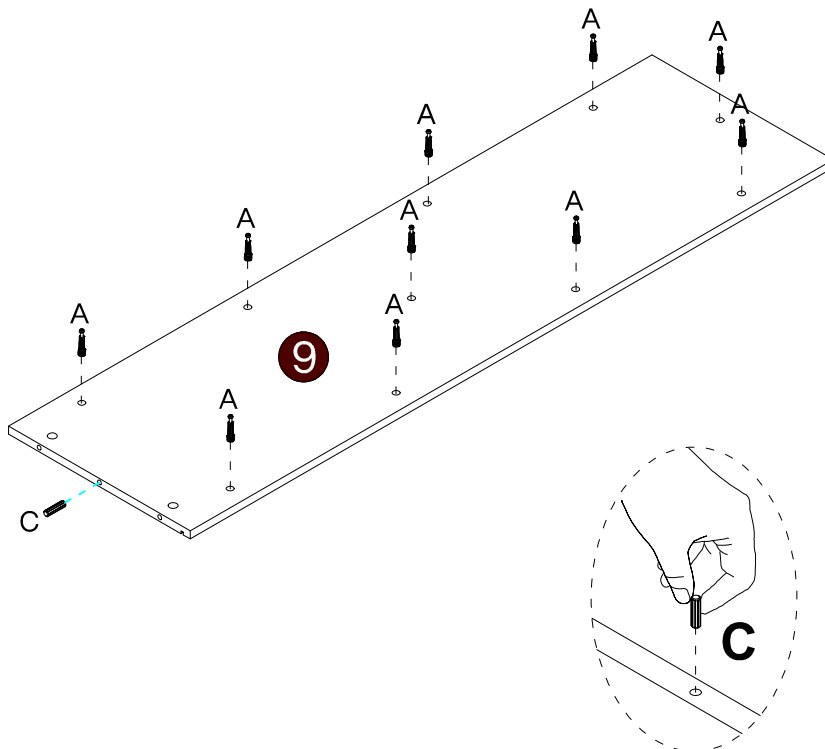
7

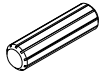



B

Ø15x10mm
4 pcs

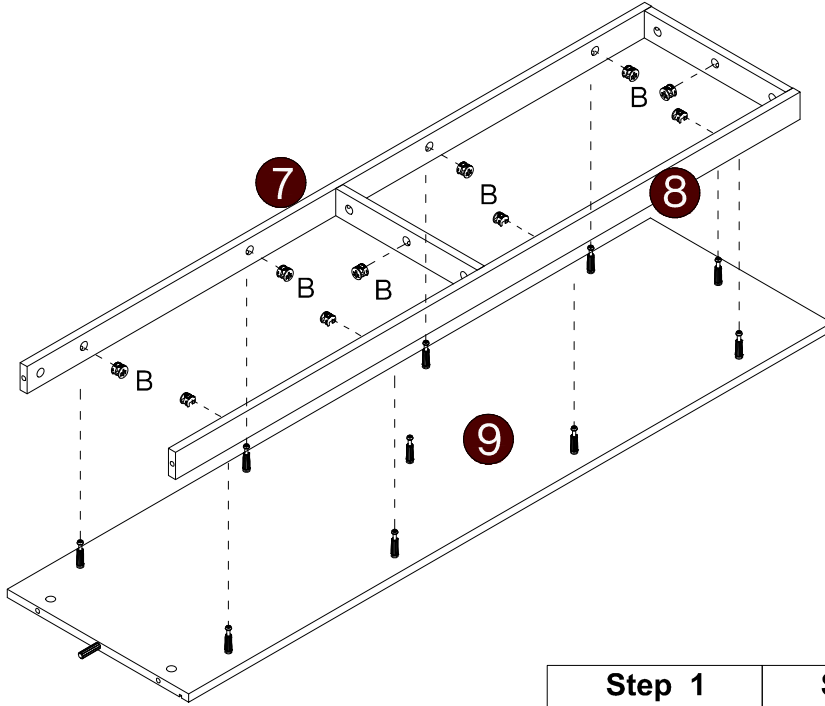


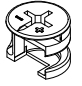
8

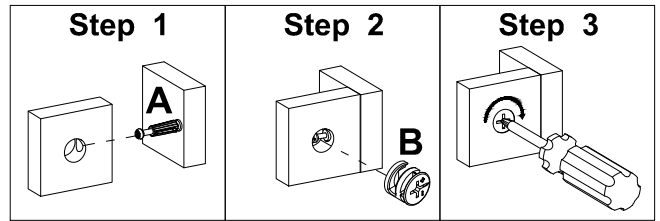


C	A
	
Ø8x30mm	M6x35mm
1pc	10pcs

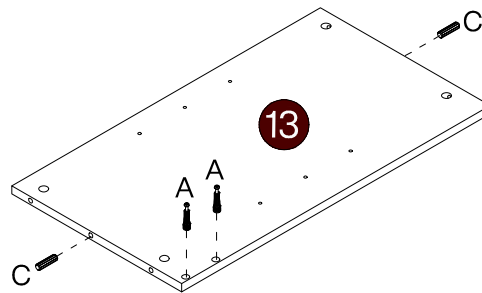
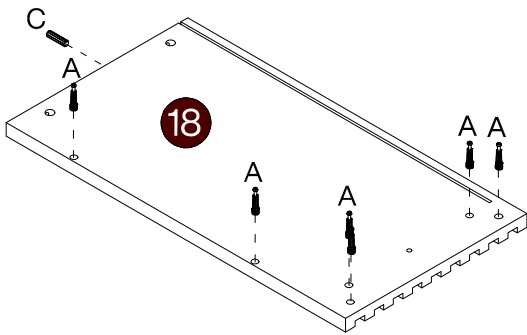
9

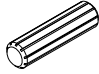



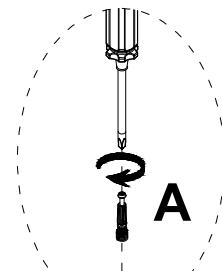
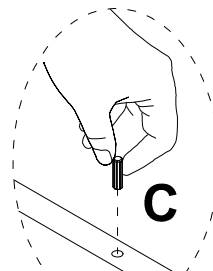
<b>B</b>

Ø15x10mm
10 pcs



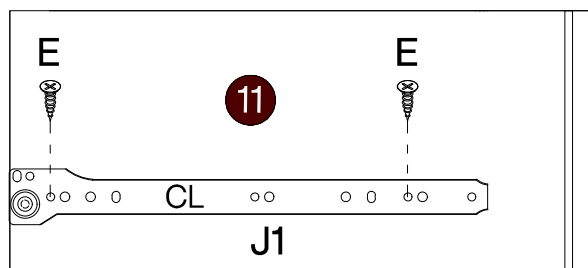
10



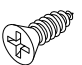


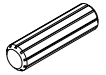
<b>C</b>	<b>A</b>
	
Ø8x30mm	M6x35mm
3pcs	8pcs

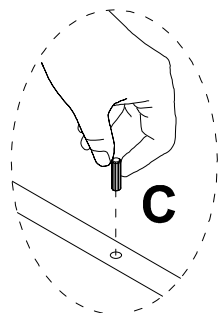
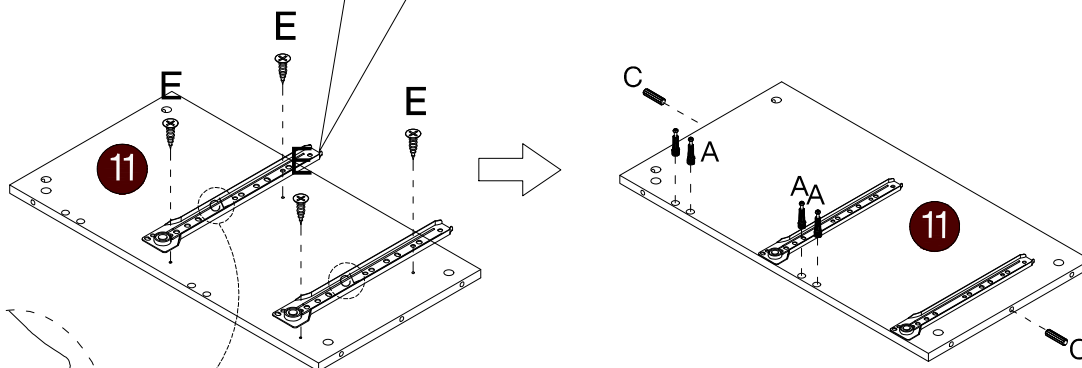


# 11



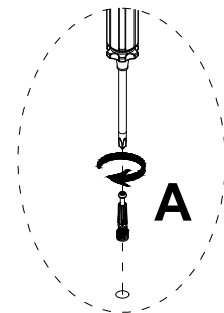
A	J1	E
		
M6x35mm		Ø3.5x14mm
4 pcs	2 pcs	4 pcs

C

Ø8x30mm
2pcs

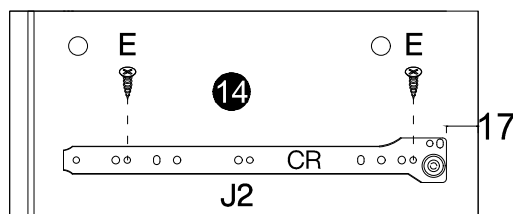




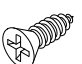
CL

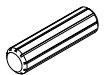
**!** Please note that the wider part of the slide is flush with the edge of the cabinet.

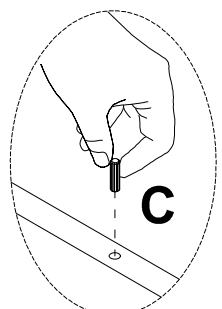
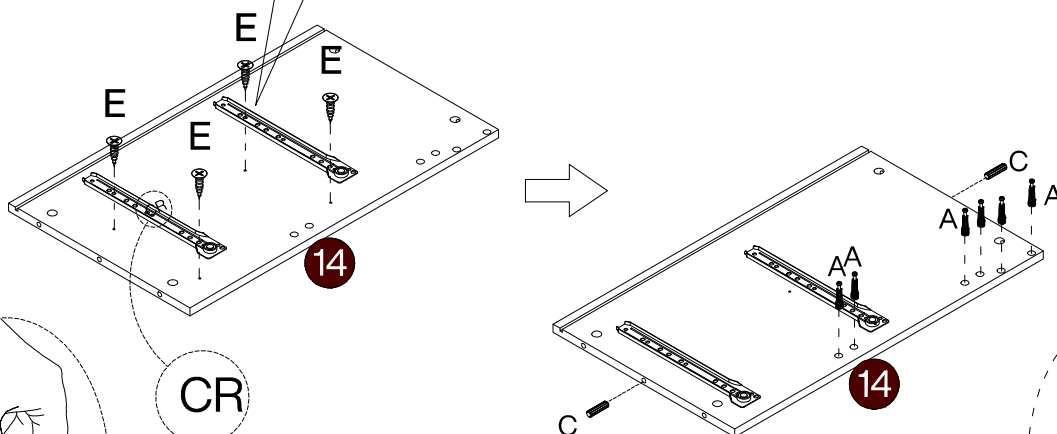


# 12



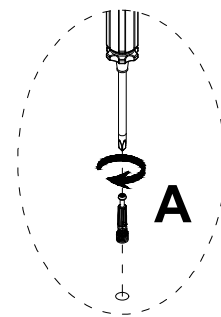
A	J2	E
		
M6x35mm		Ø3.5x14mm
6 pcs	2 pcs	4 pcs

C

Ø8x30mm
2pcs

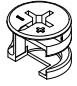


CR

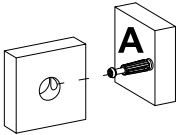
**!** Please note that the wider part of the slide is NOT flush with the edge of the cabinet.



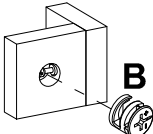
13

<b>B</b>

Ø15x10mm
4 pcs

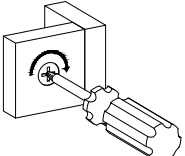
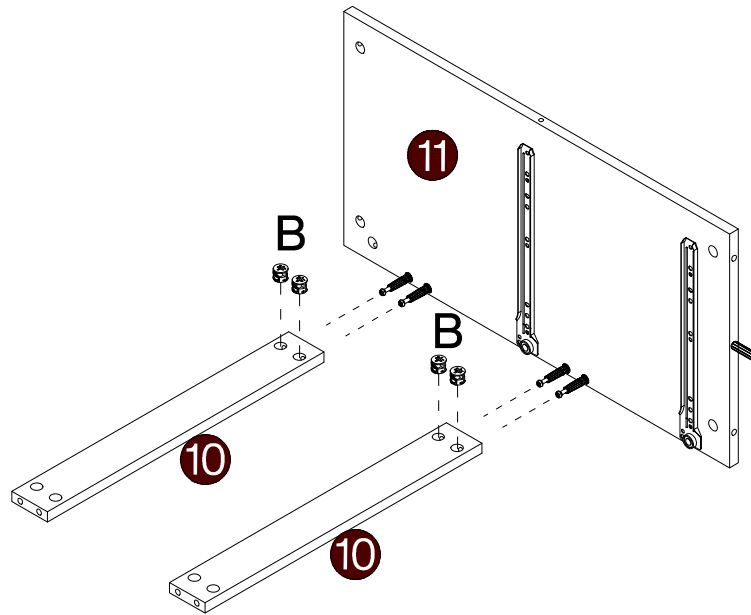
**Step 1**





**Step 2**

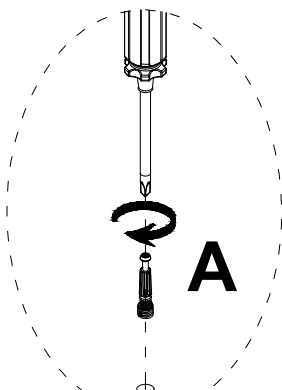
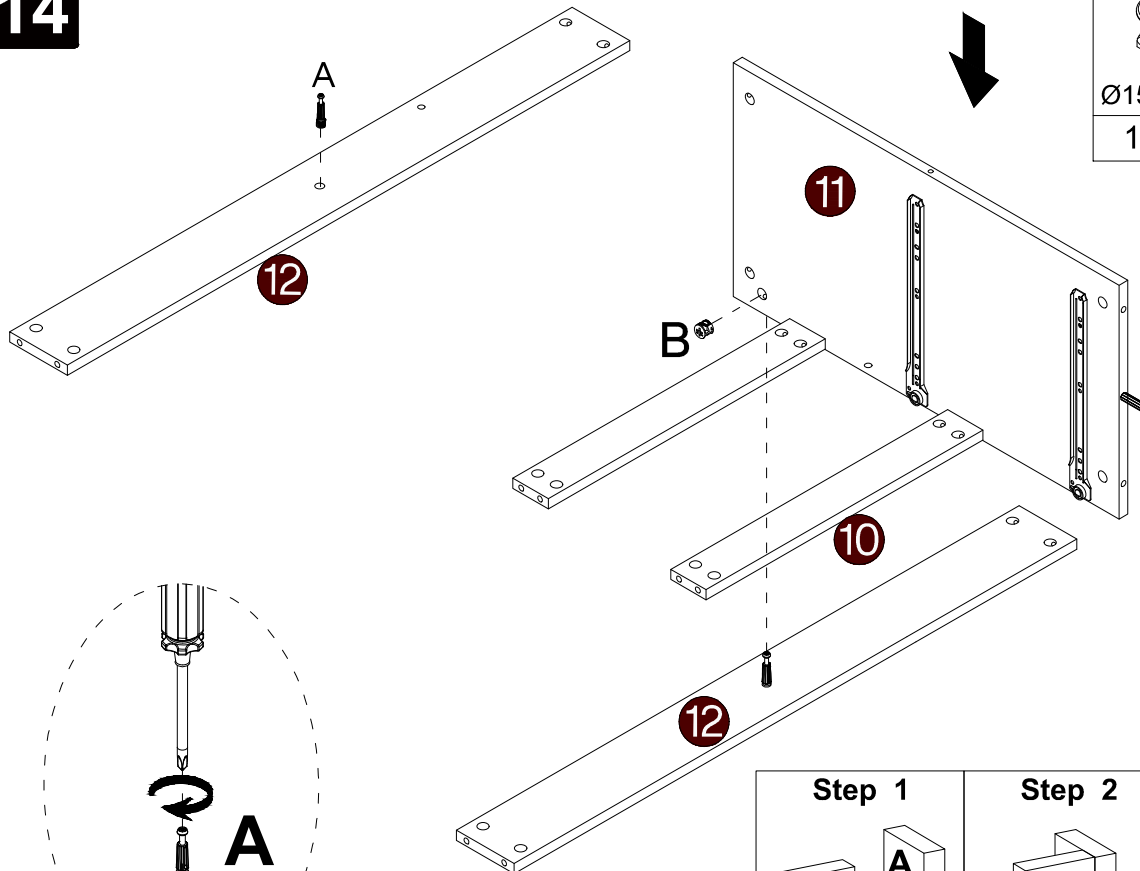


**Step 3**

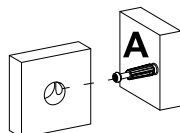



14

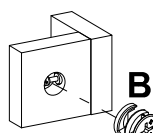
<b>B</b>	<b>A</b>
	
Ø15x10mm	M6x35mm
1 pcs	1 pcs



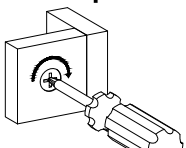
**Step 1**



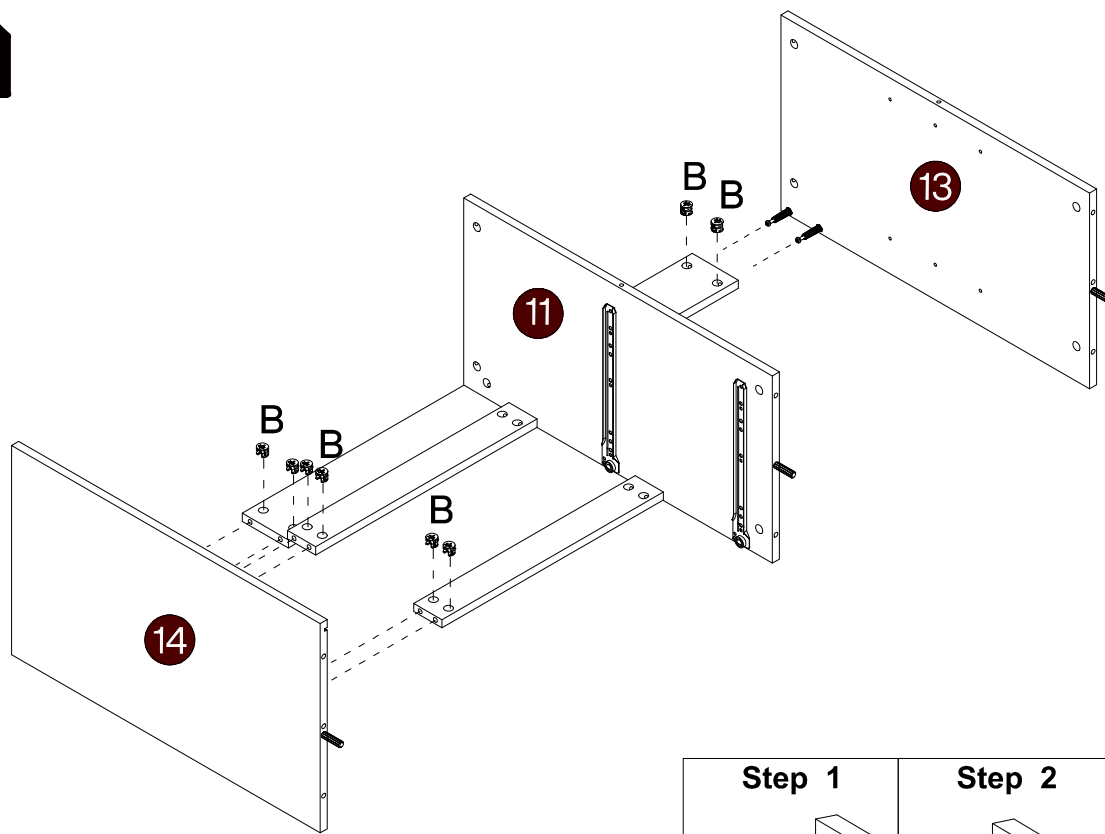
**Step 2**

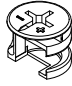


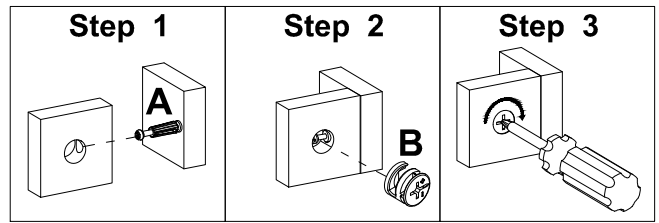
**Step 3**



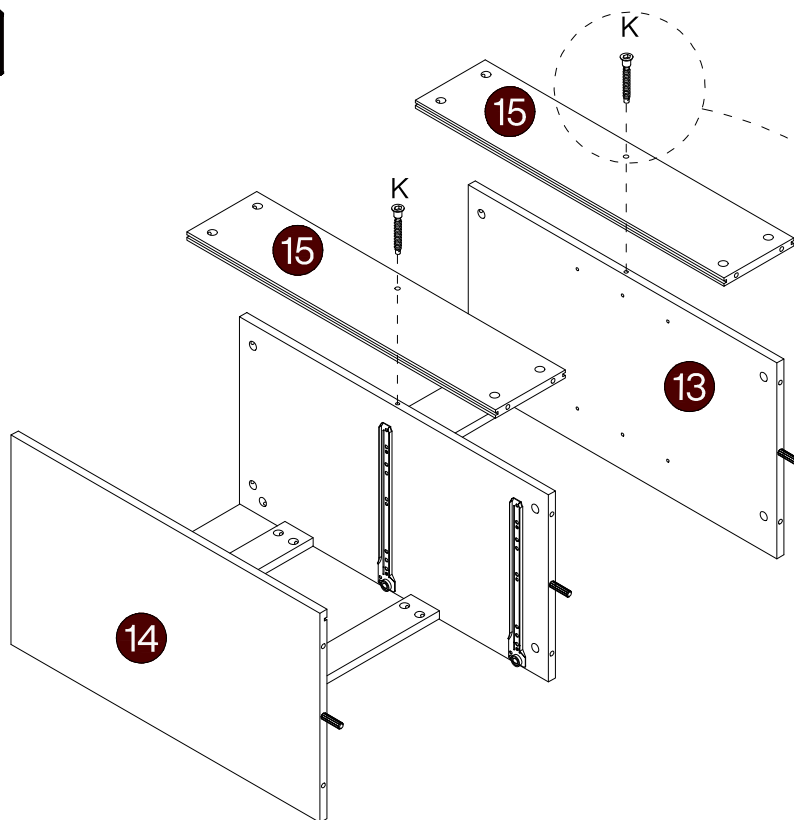
15

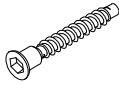


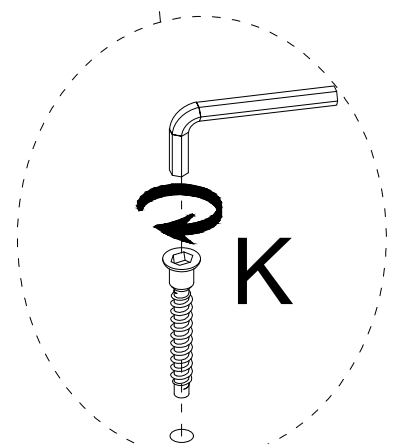
<b>B</b>

Ø15x10mm
8 pcs



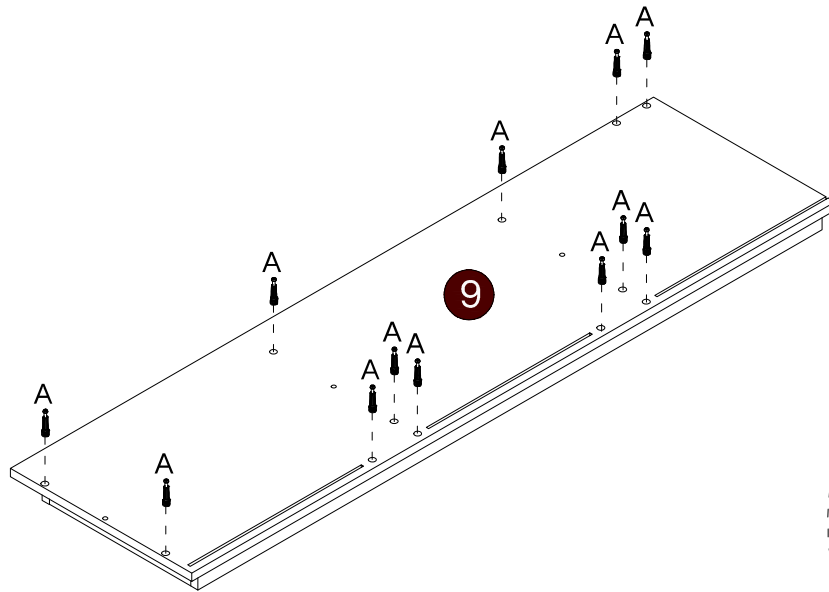
16




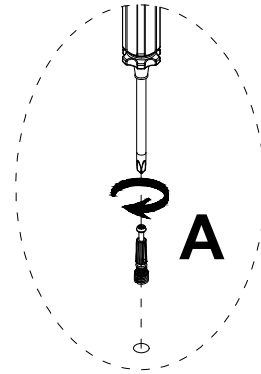
<b>K</b>

M7x38mm
2 pcs



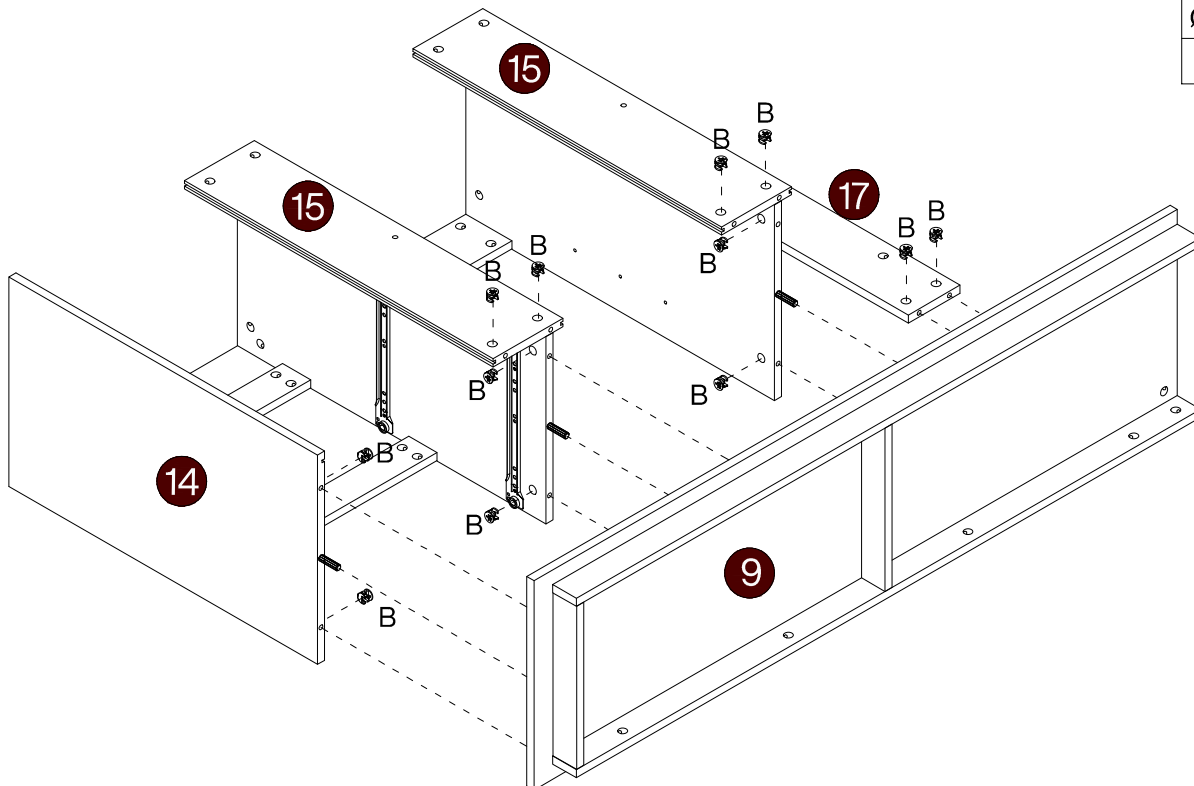
17

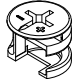


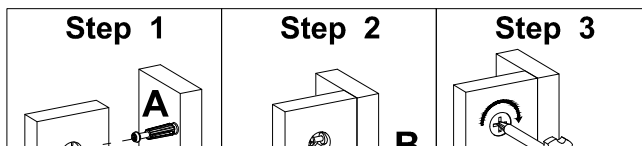
<b>A</b>

M6x35mm
12 pcs



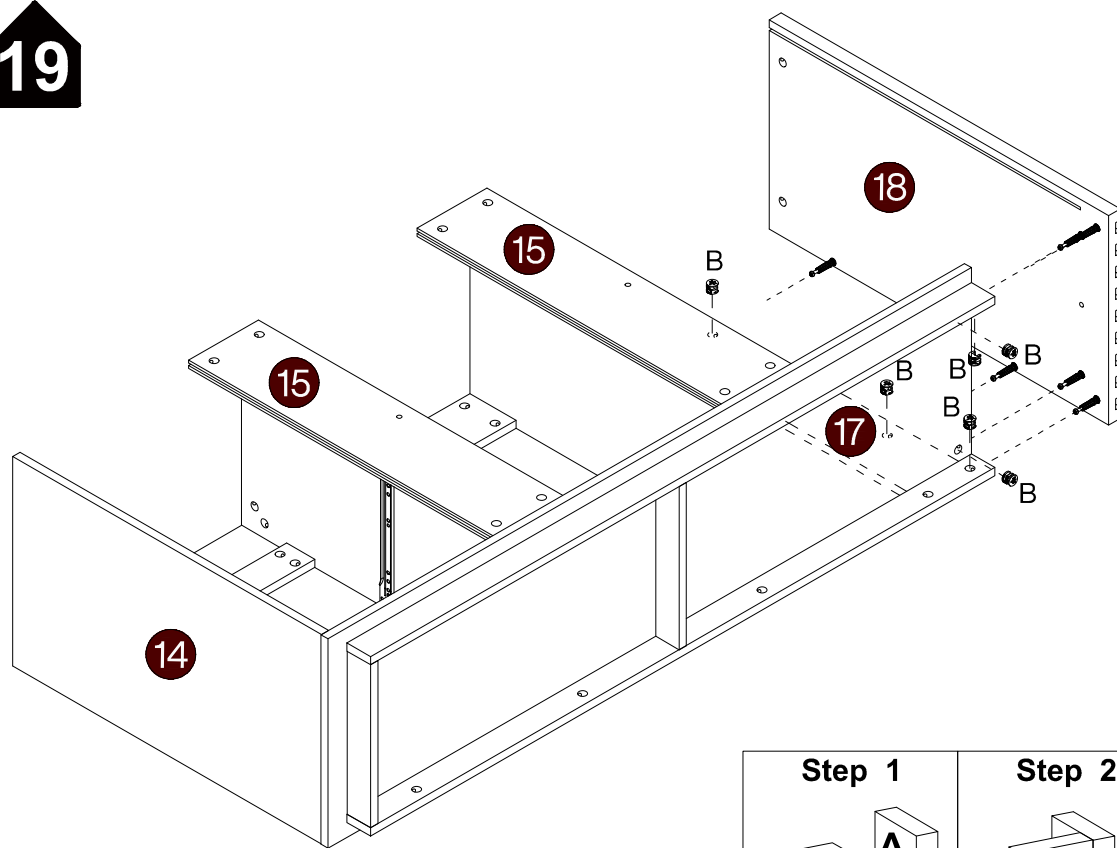
18




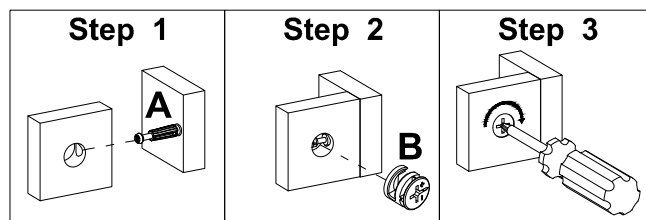
<b>B</b>

Ø15x10mm
12 pcs



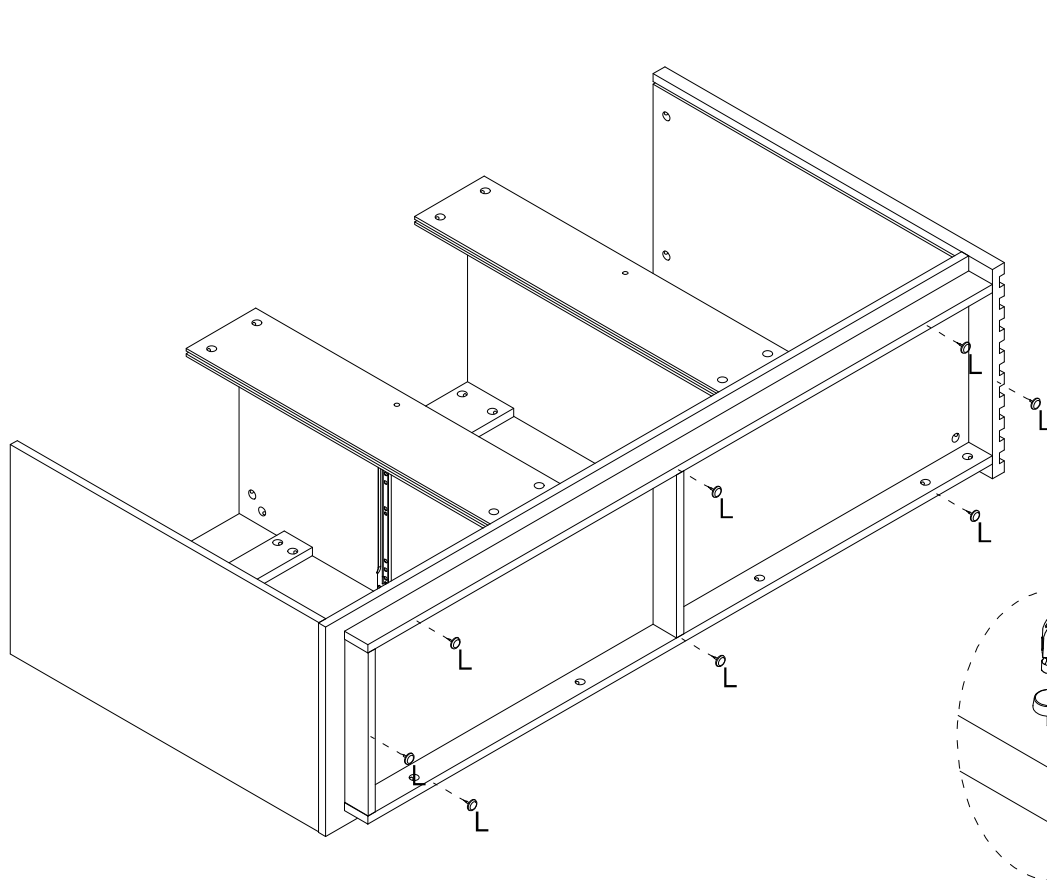
19




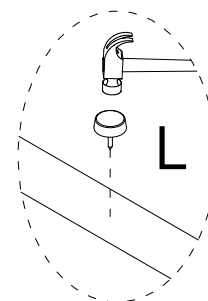
<b>B</b>

Ø15x10mm
6 pcs



20

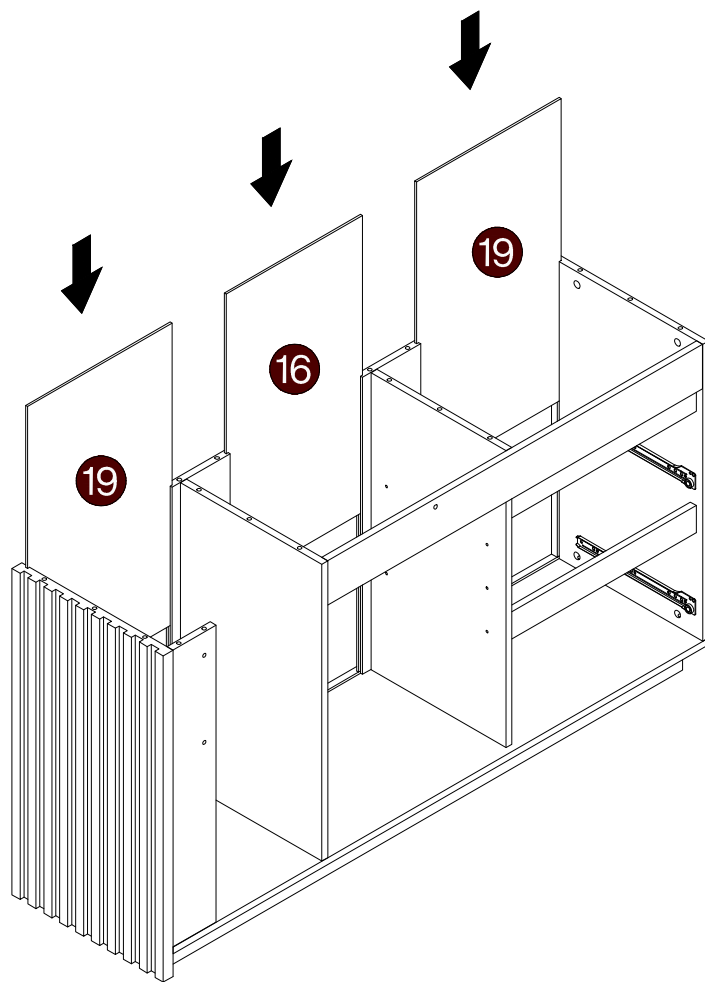


<b>L</b>

8pcs

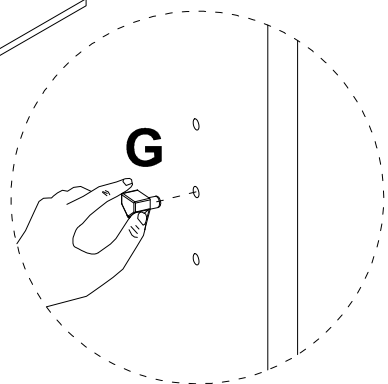
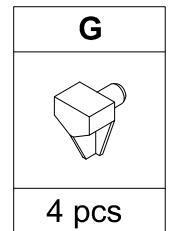
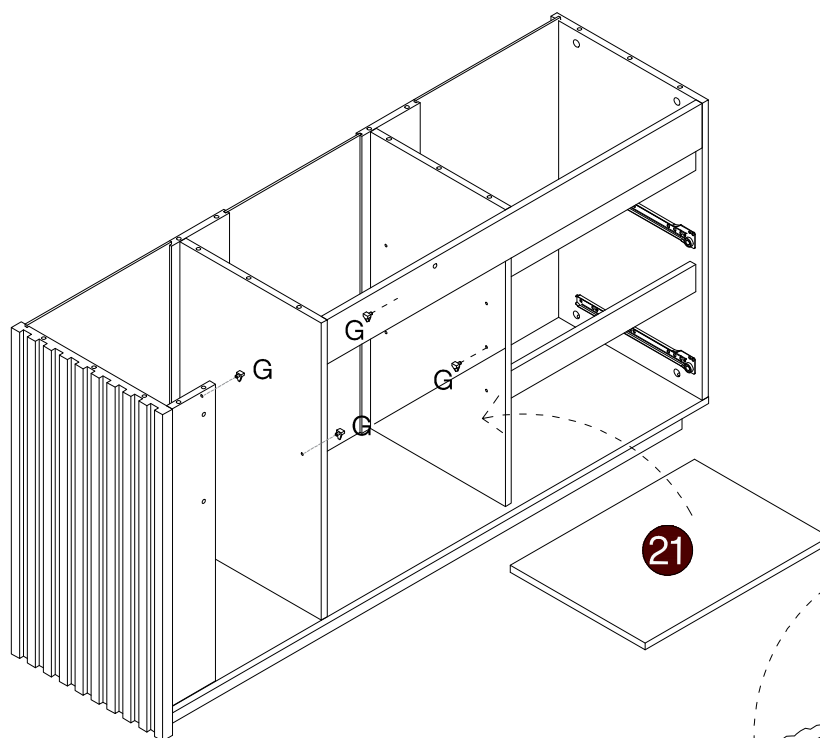


 **Caution! Tap lightly**

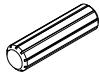

21

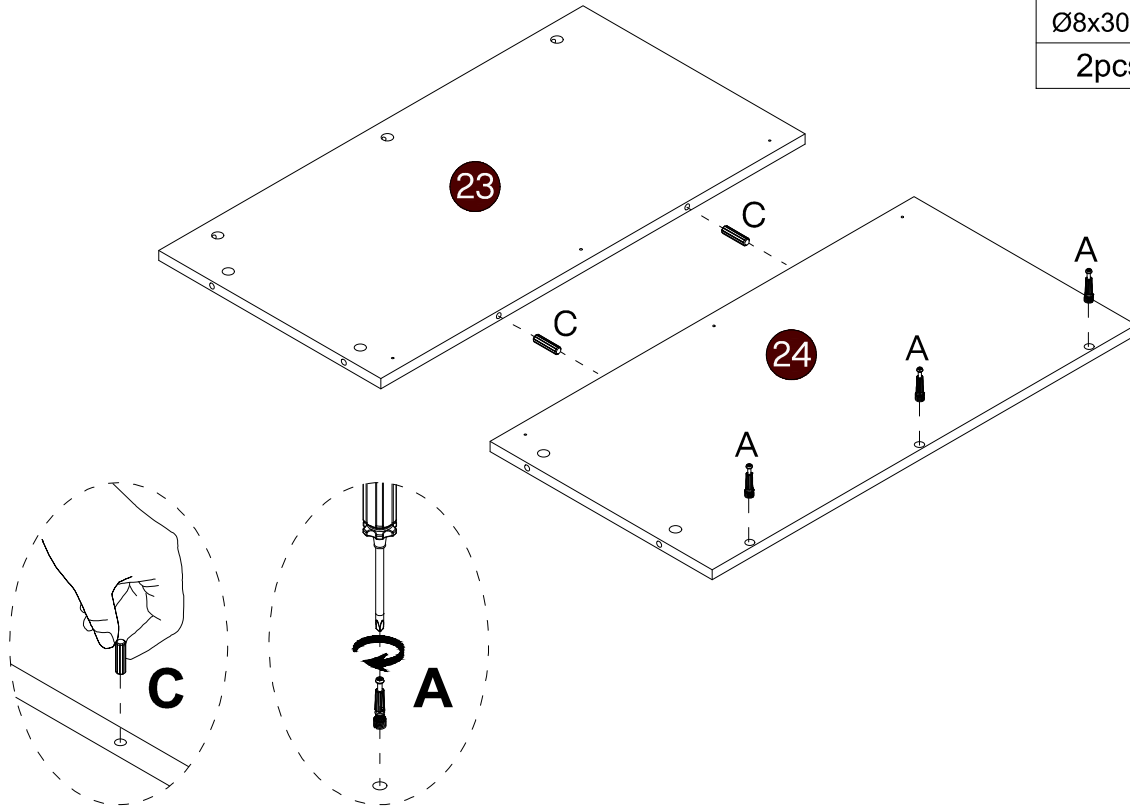


22

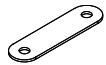



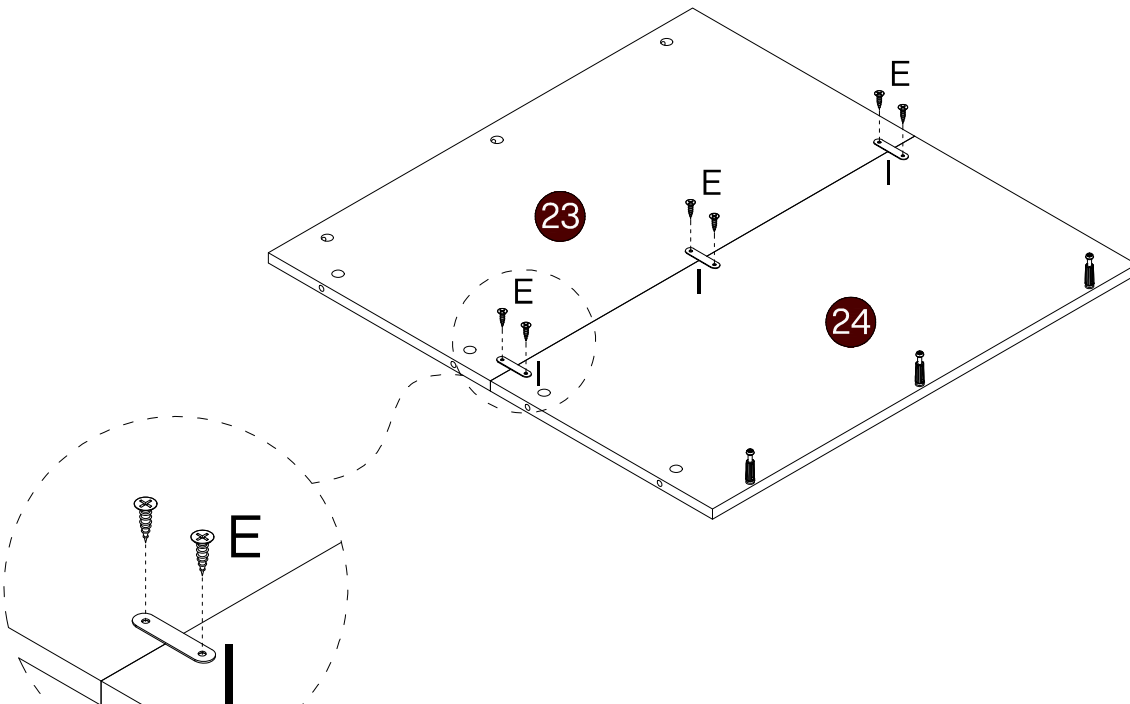
23

C	A
 Ø8x30mm	 M6x35mm
2pcs	3pcs

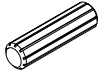



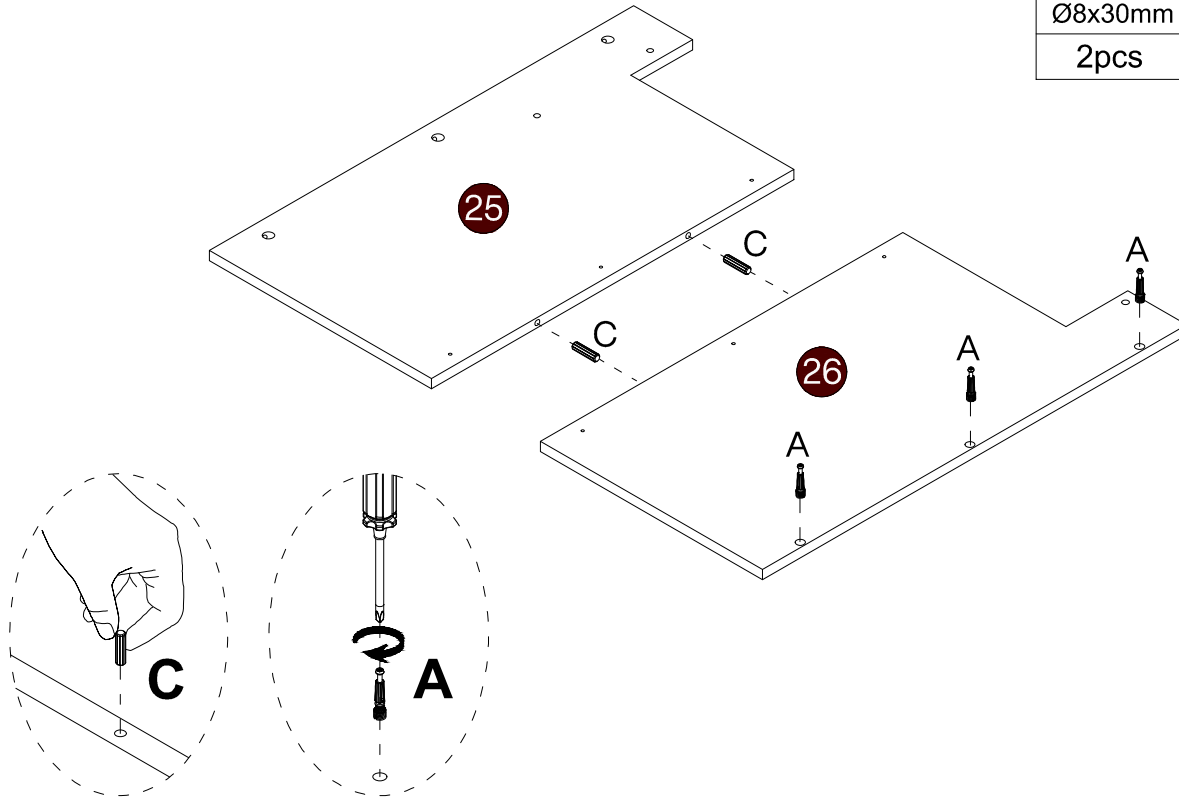
24

I	E
	 Ø3.5x14mm
3 pcs	6 pcs

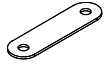
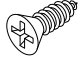


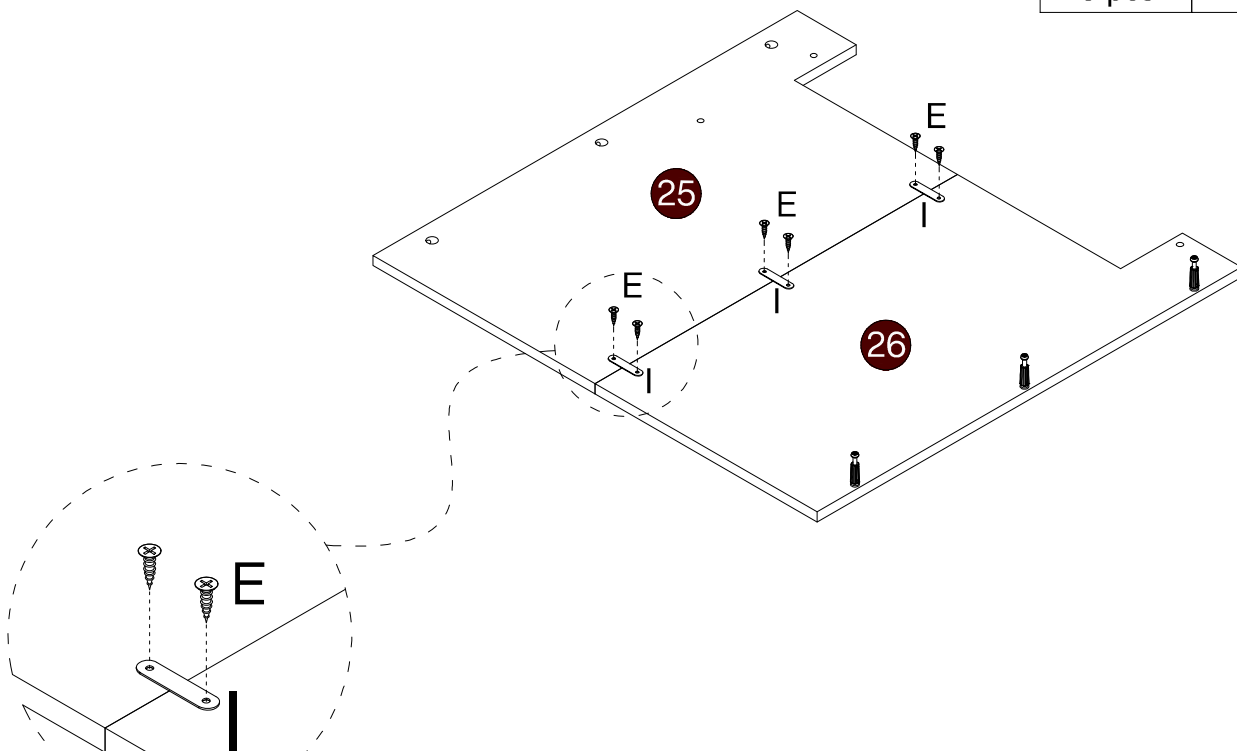
25

C	A
	
Ø8x30mm	M6x35mm
2 pcs	3 pcs

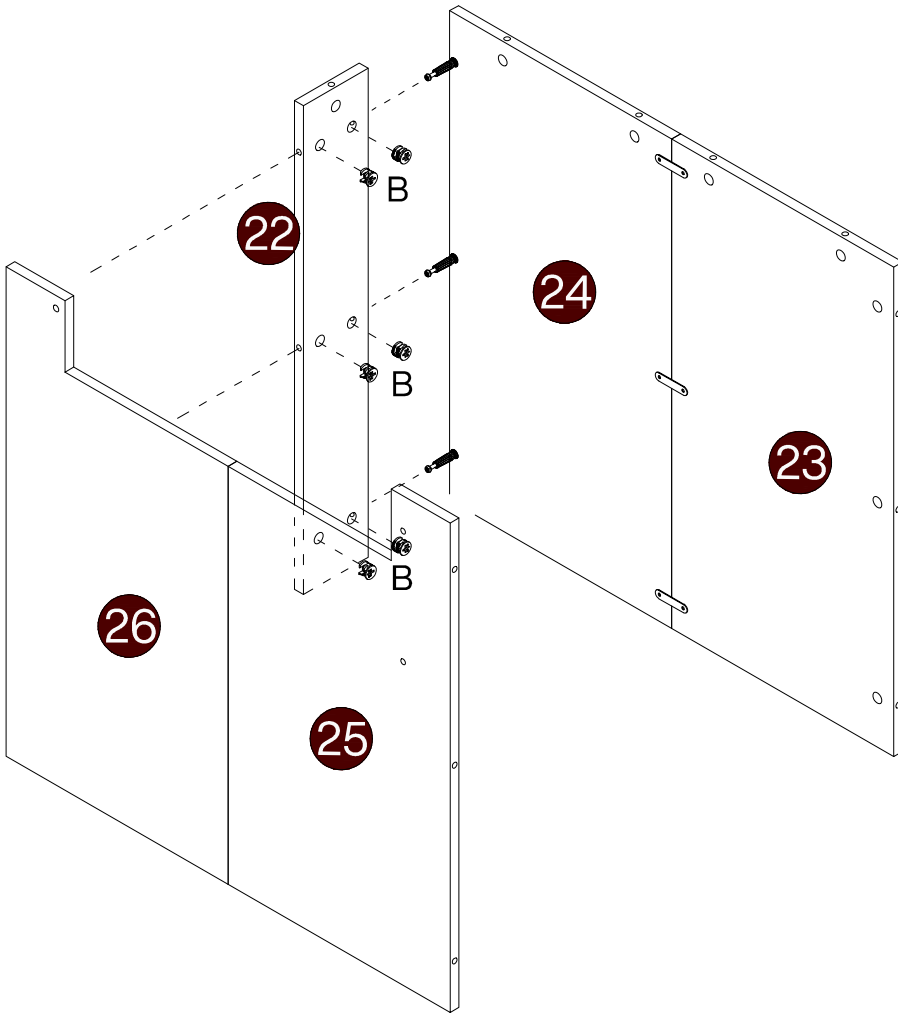


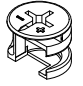
26

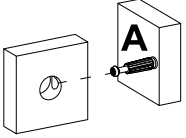
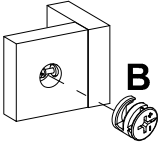
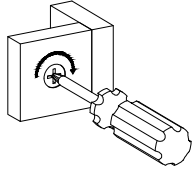
I	E
	
3 pcs	Ø3.5x14mm
3 pcs	6 pcs



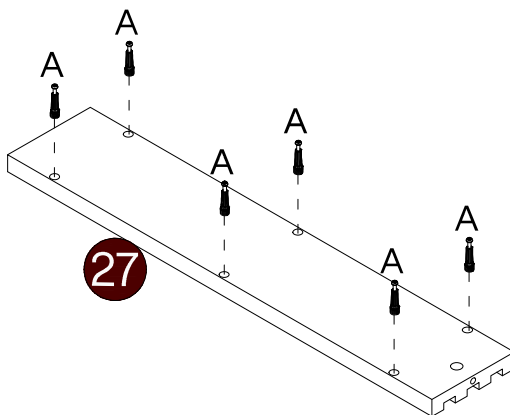
27




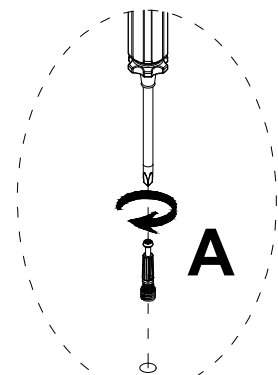
<b>B</b>

Ø15x10mm
6 pcs

<b>Step 1</b>

<b>Step 2</b>

<b>Step 3</b>


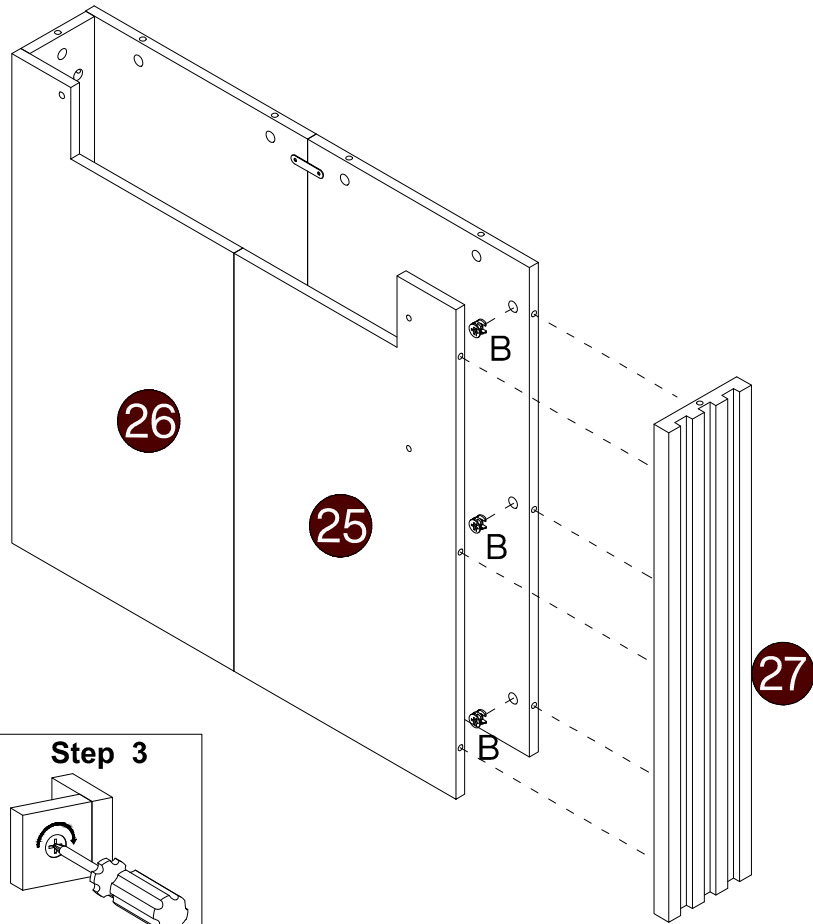
28

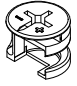


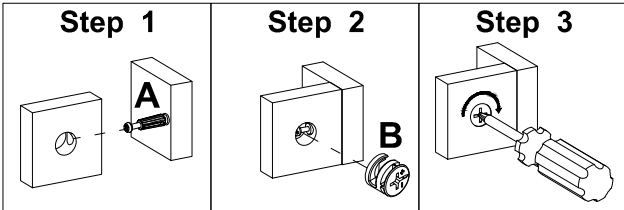
<b>A</b>

M6x35mm
6pcs



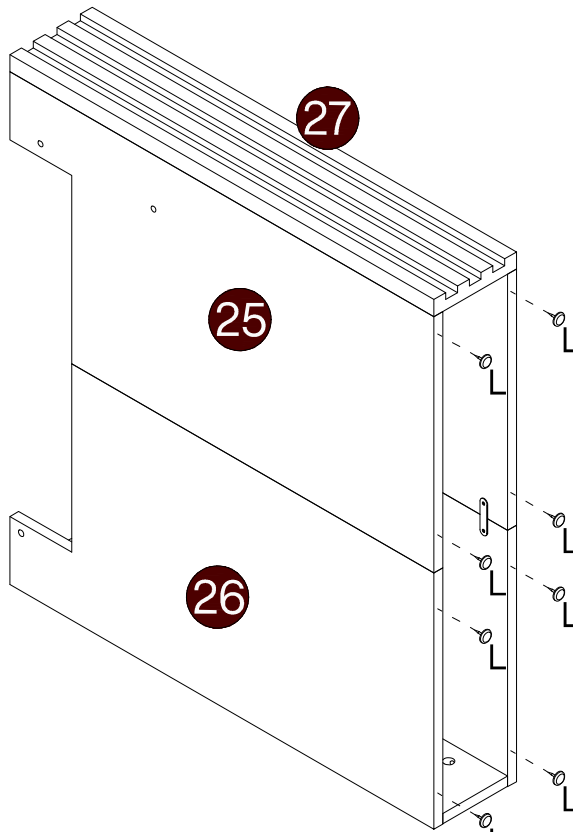
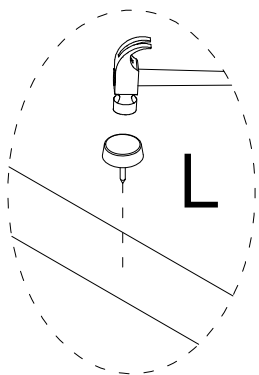
29

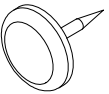


<b>B</b>

Ø15x10mm
6 pcs




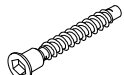
30

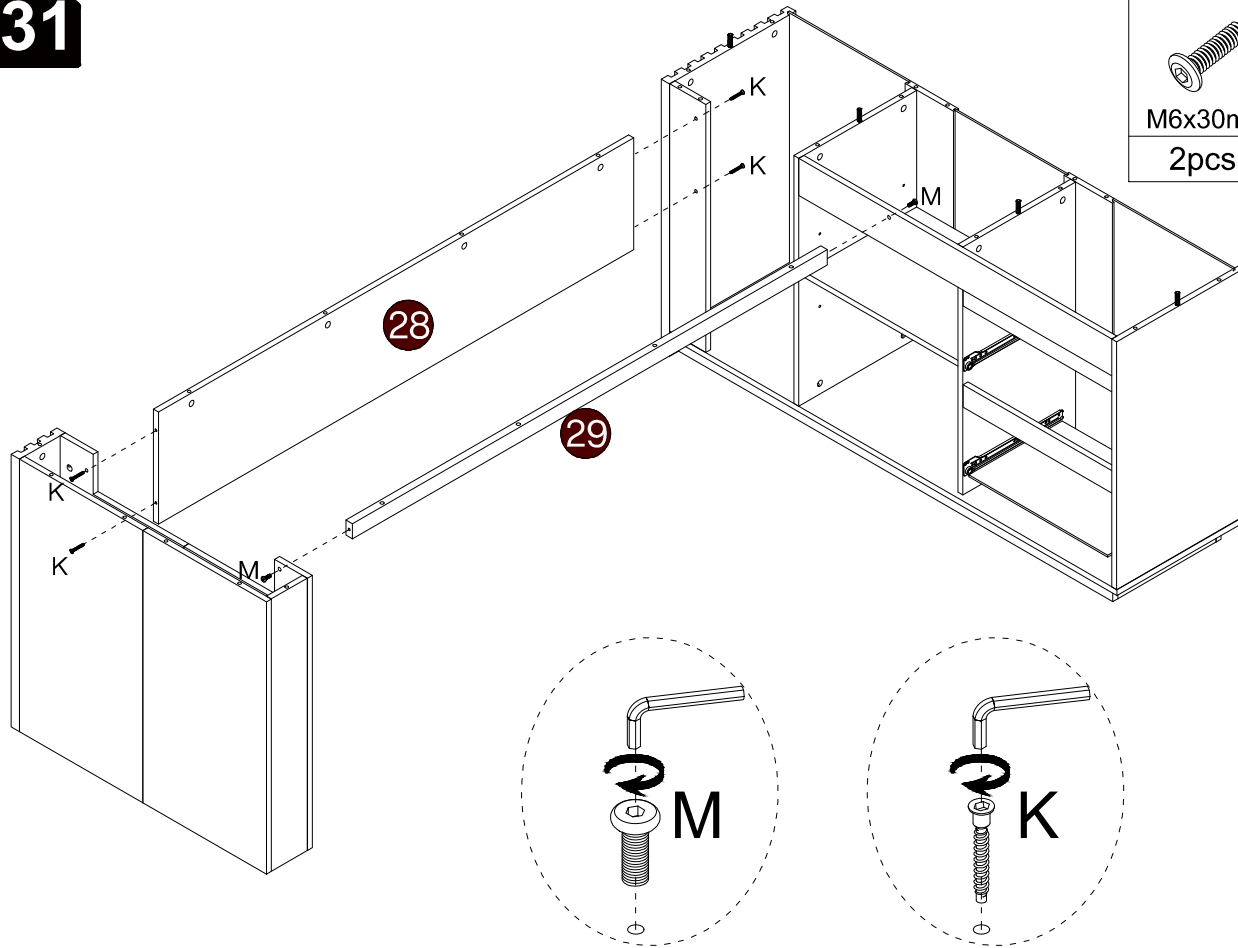


<b>L</b>

8pcs

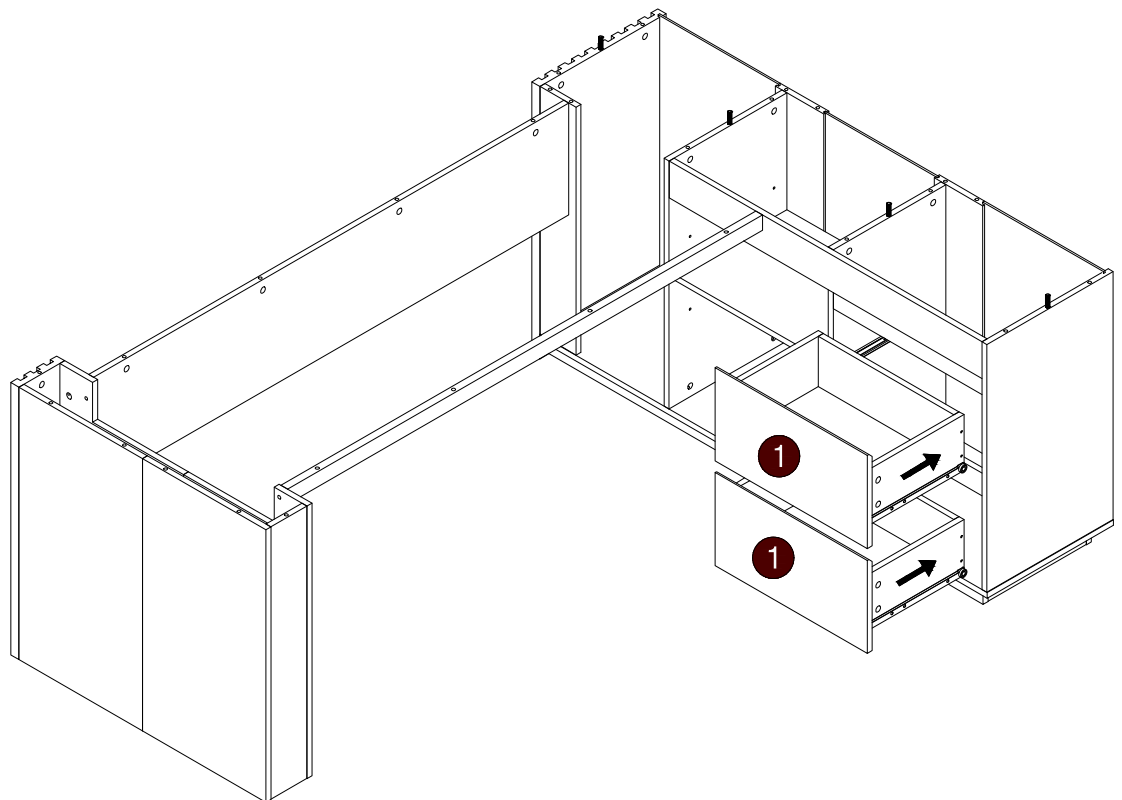
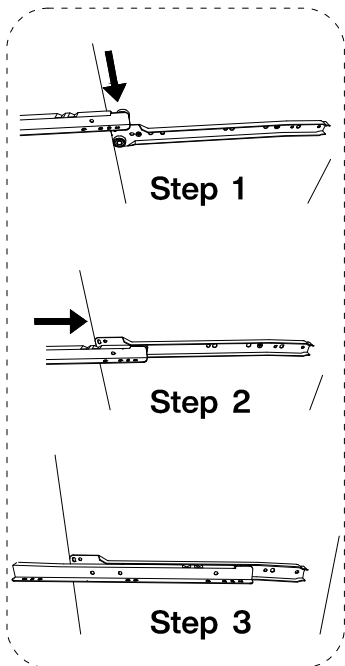
⚠ Caution! Tap lightly

31

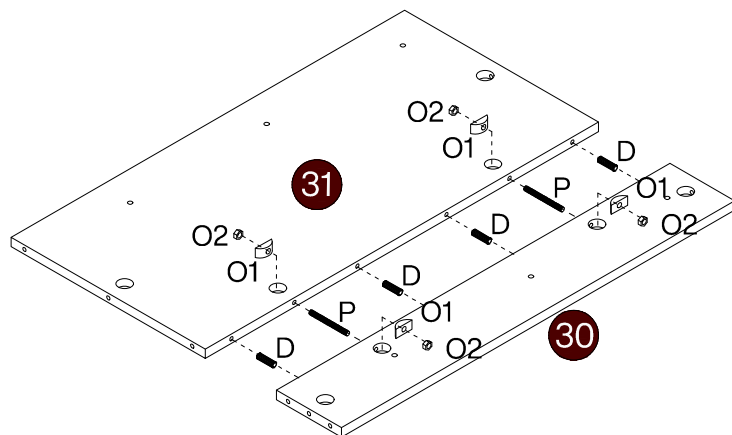
M	K
	
M6x30mm	M7x38mm
2pcs	4pcs

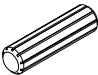
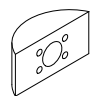




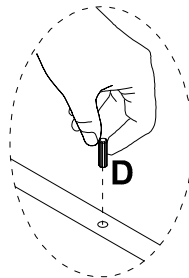
32



33



D	O1	O2
		
Ø10x30mm 4 pcs	4 pcs	M8 4 pcs
<b>P</b>		
		
M8x95mm 2 pcs		



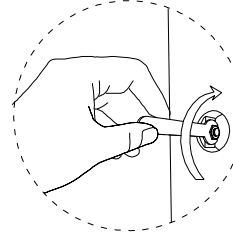
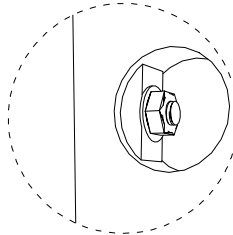
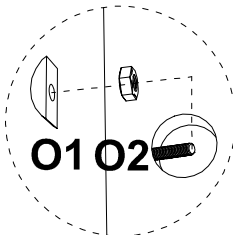
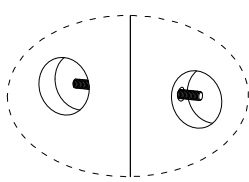
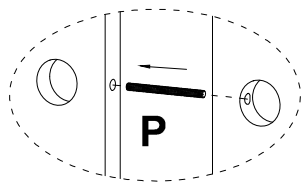
Step 1

Step 2

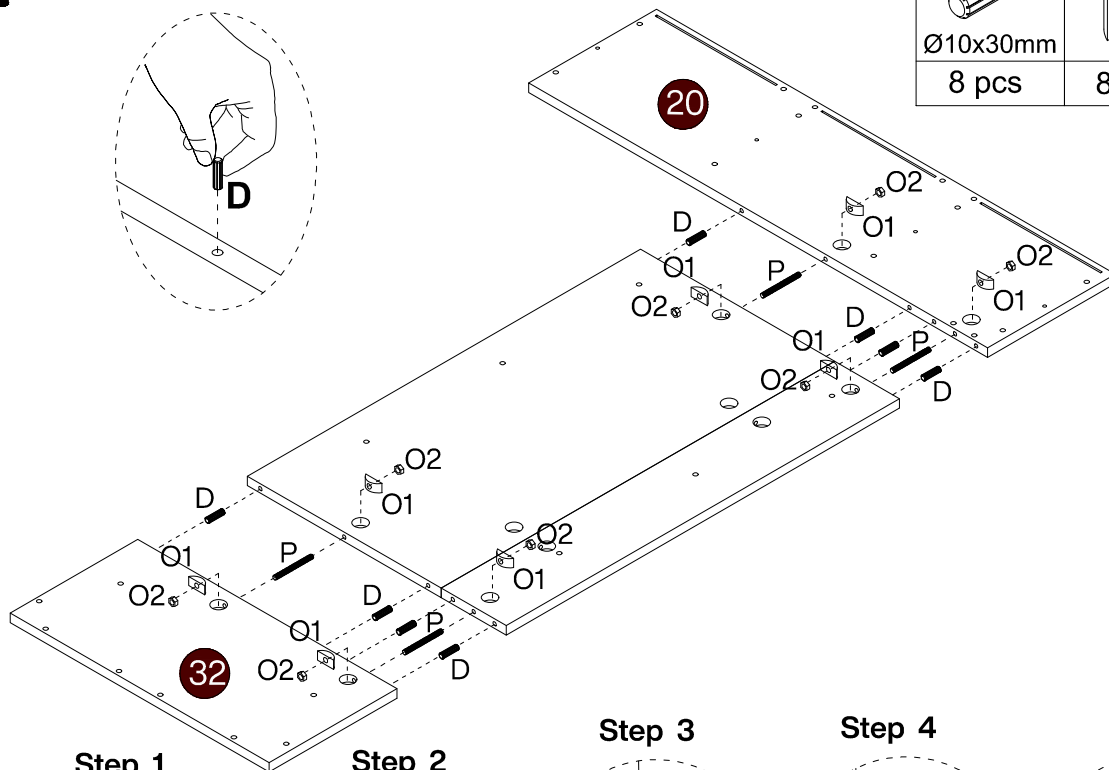
Step 3

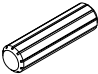
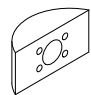


Step 4

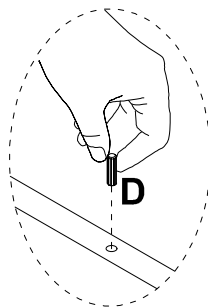
Step 5



34



D	O1	O2
		
Ø10x30mm 8 pcs	8 pcs	M8 8 pcs
<b>P</b>		
		
M8x95mm 4 pcs		



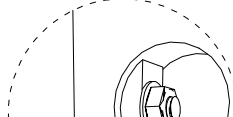
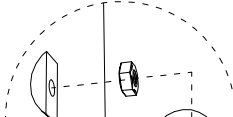
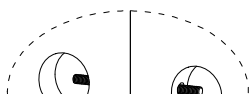
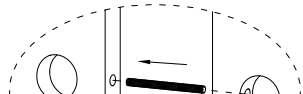
Step 1

Step 2

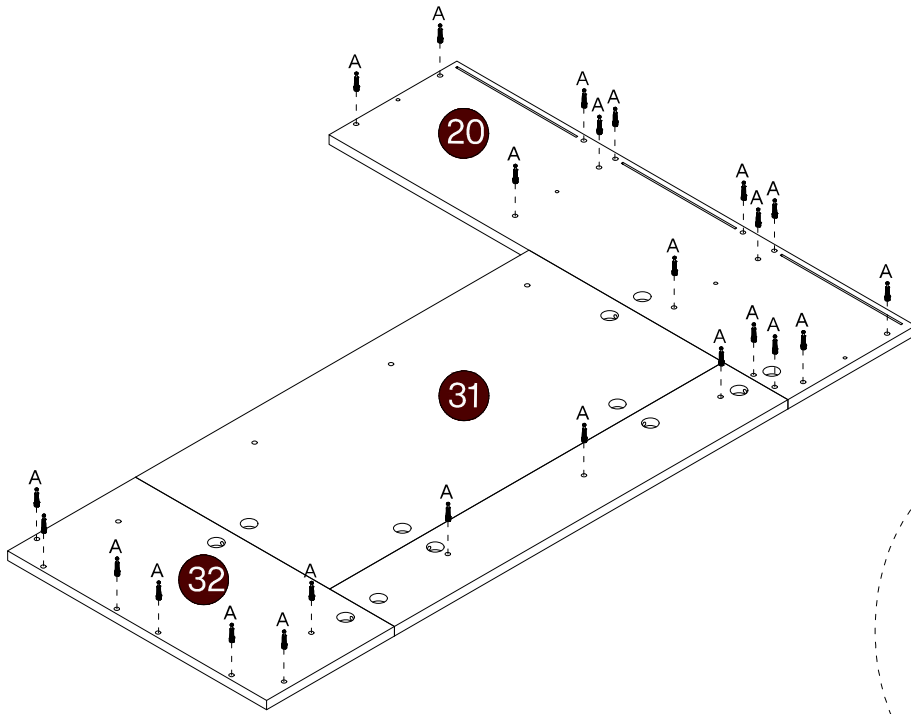
Step 3


Step 4

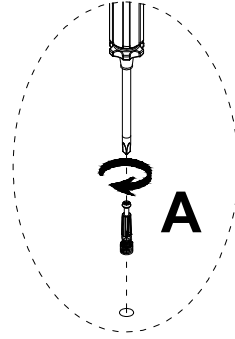
Step 5



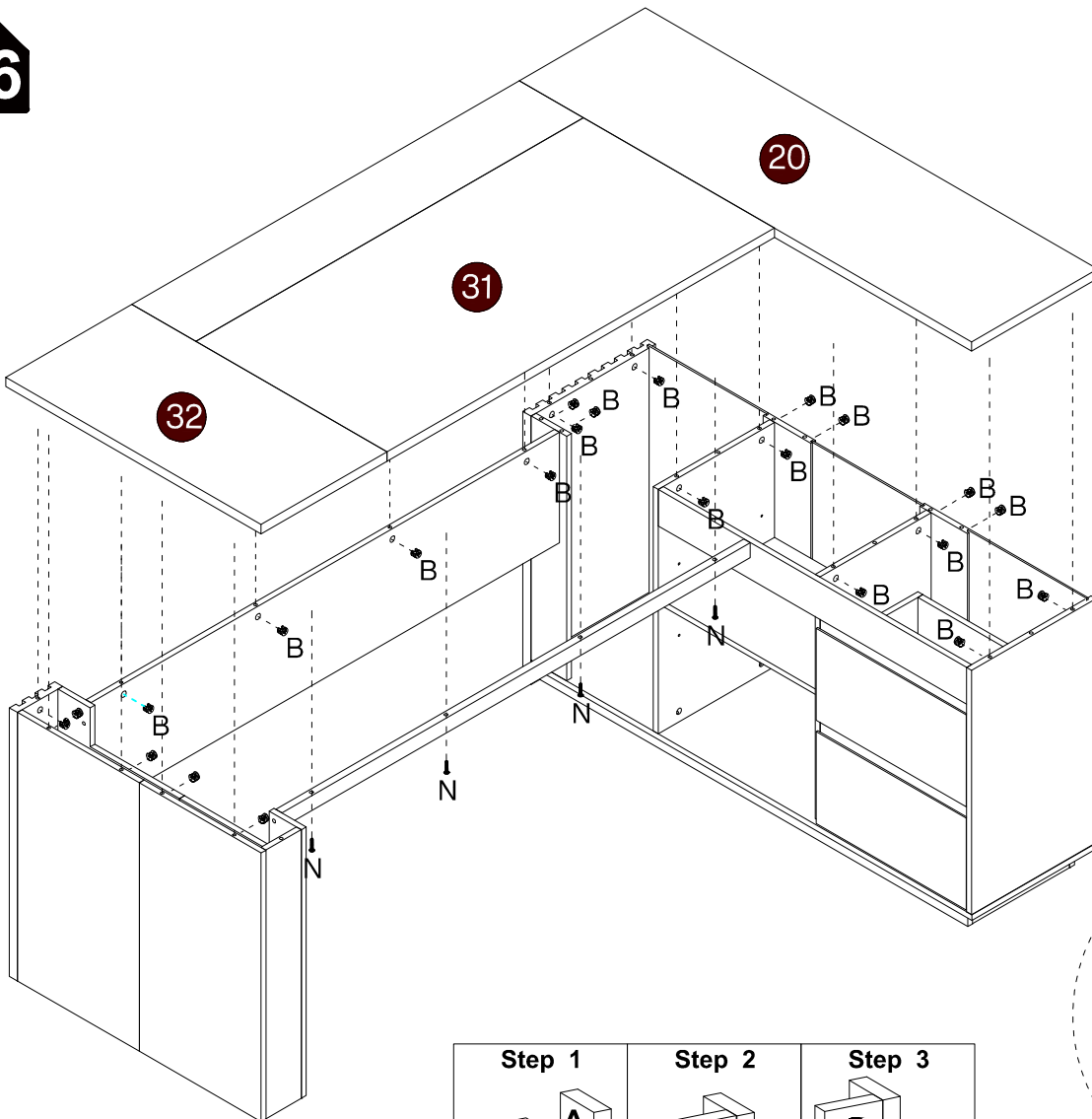
35





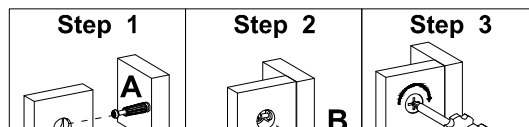
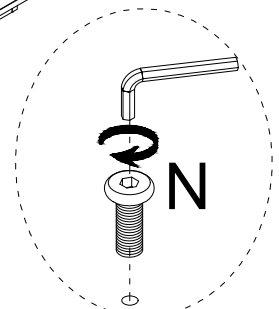
<b>A</b>

M6x35mm
24pcs

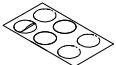


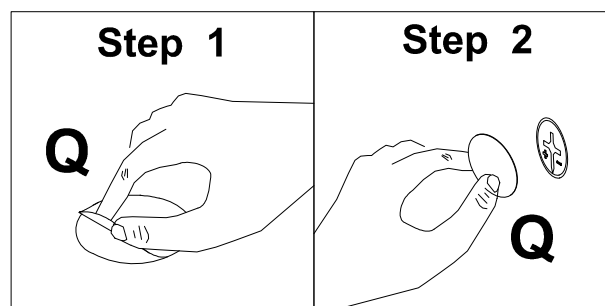
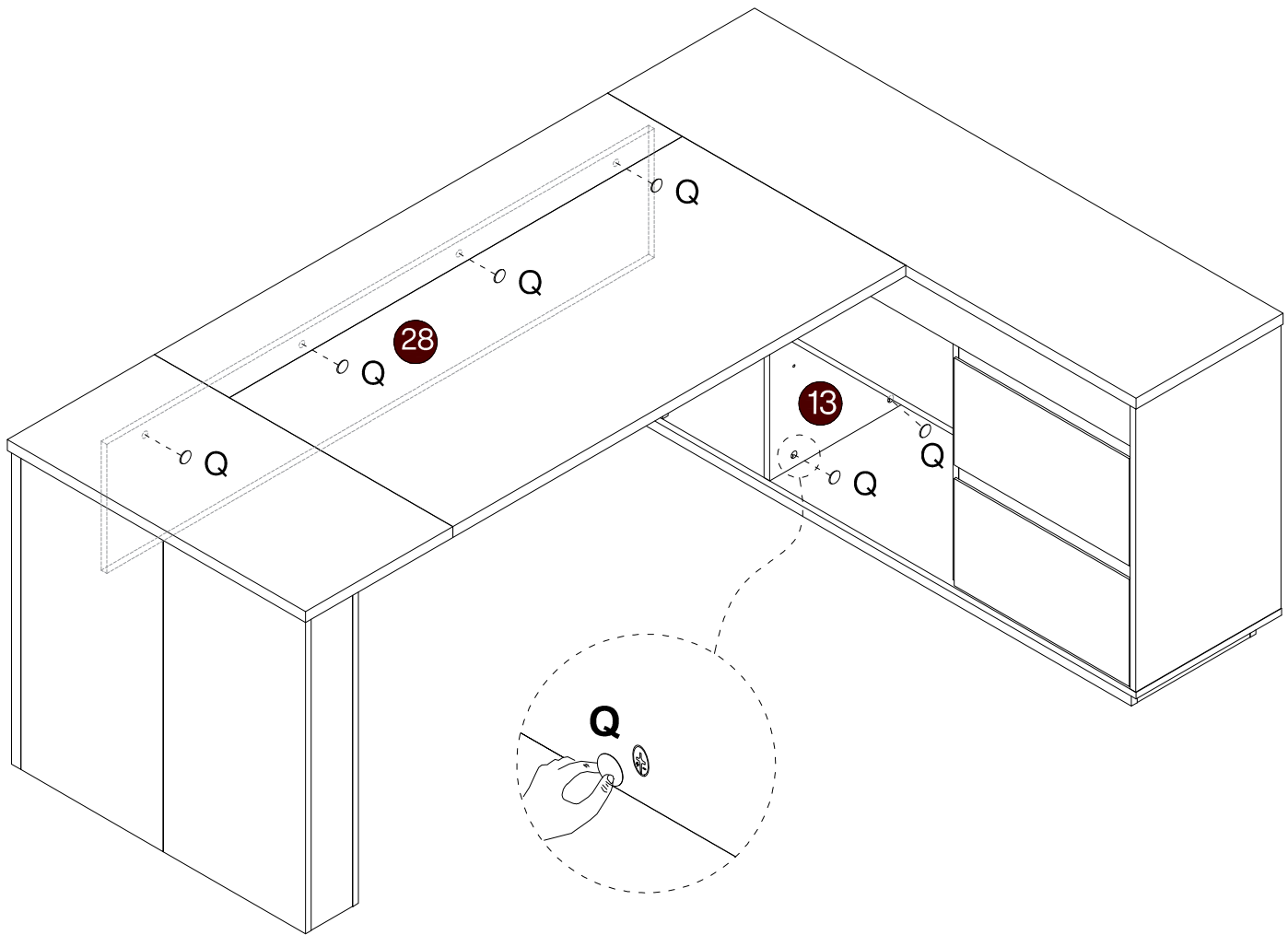
36

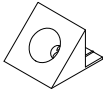
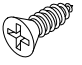


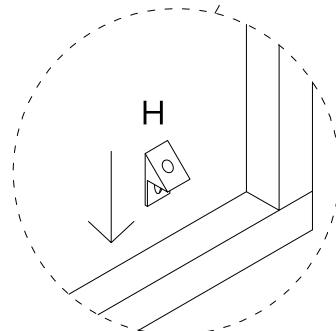
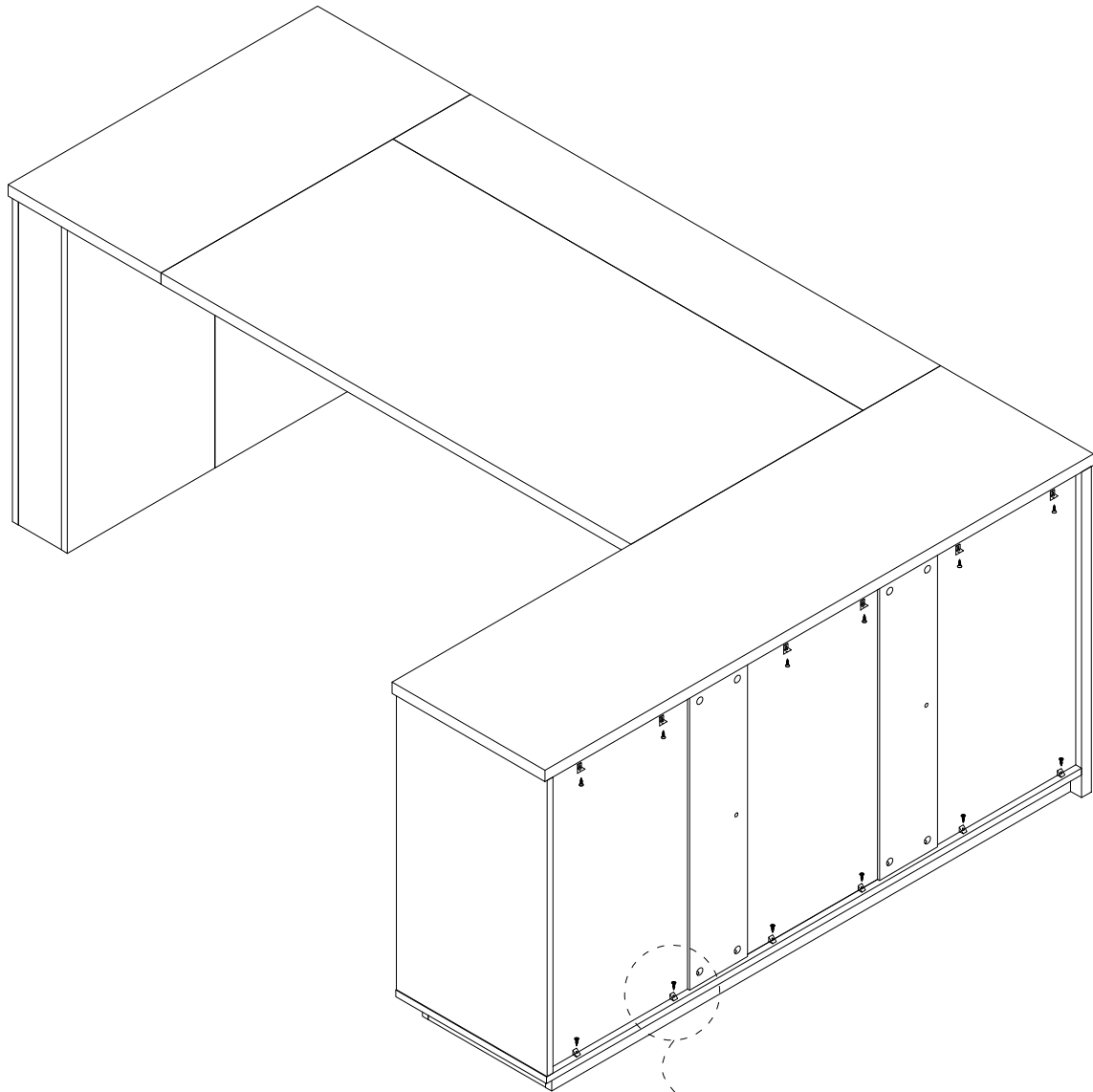
<b>B</b>

Ø15x10mm
24 pcs
<b>N</b>

M6x55mm
4pcs



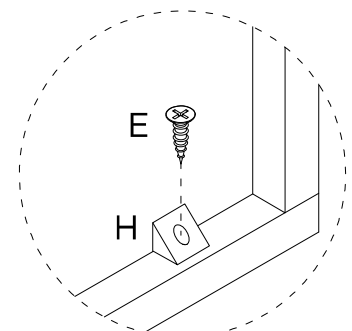
Q

Ø21
6 pcs



H	E
	
12 pcs	Ø3.5x14mm 12 pcs



Step 1



Step 2

**Thank you for your support !**

