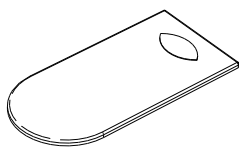
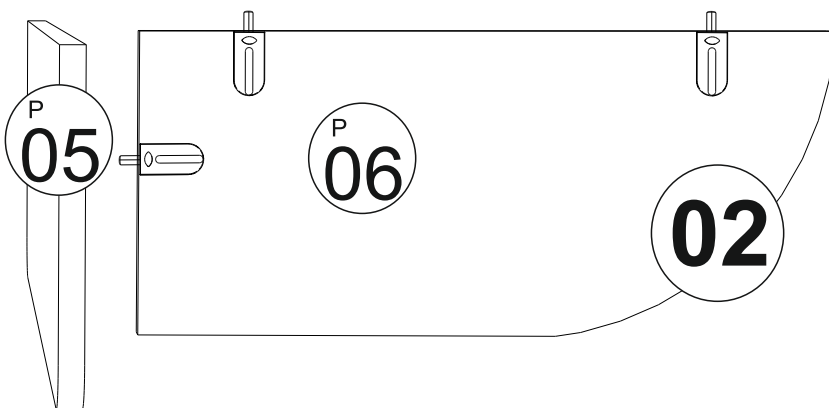
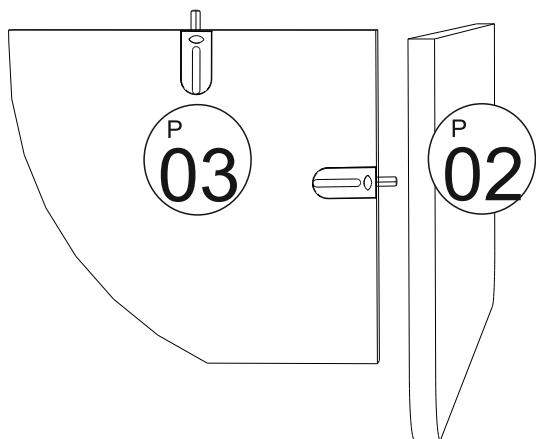
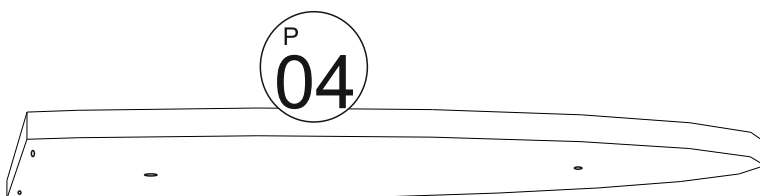
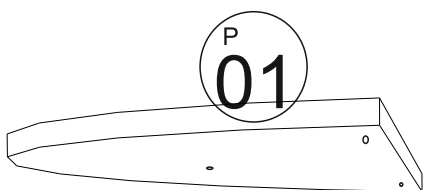
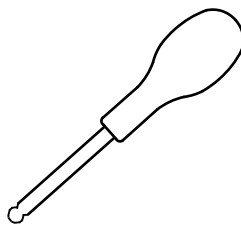


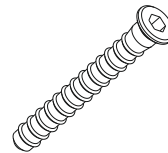
# **INSTALLATION & ASSEMBLY**



**x9**



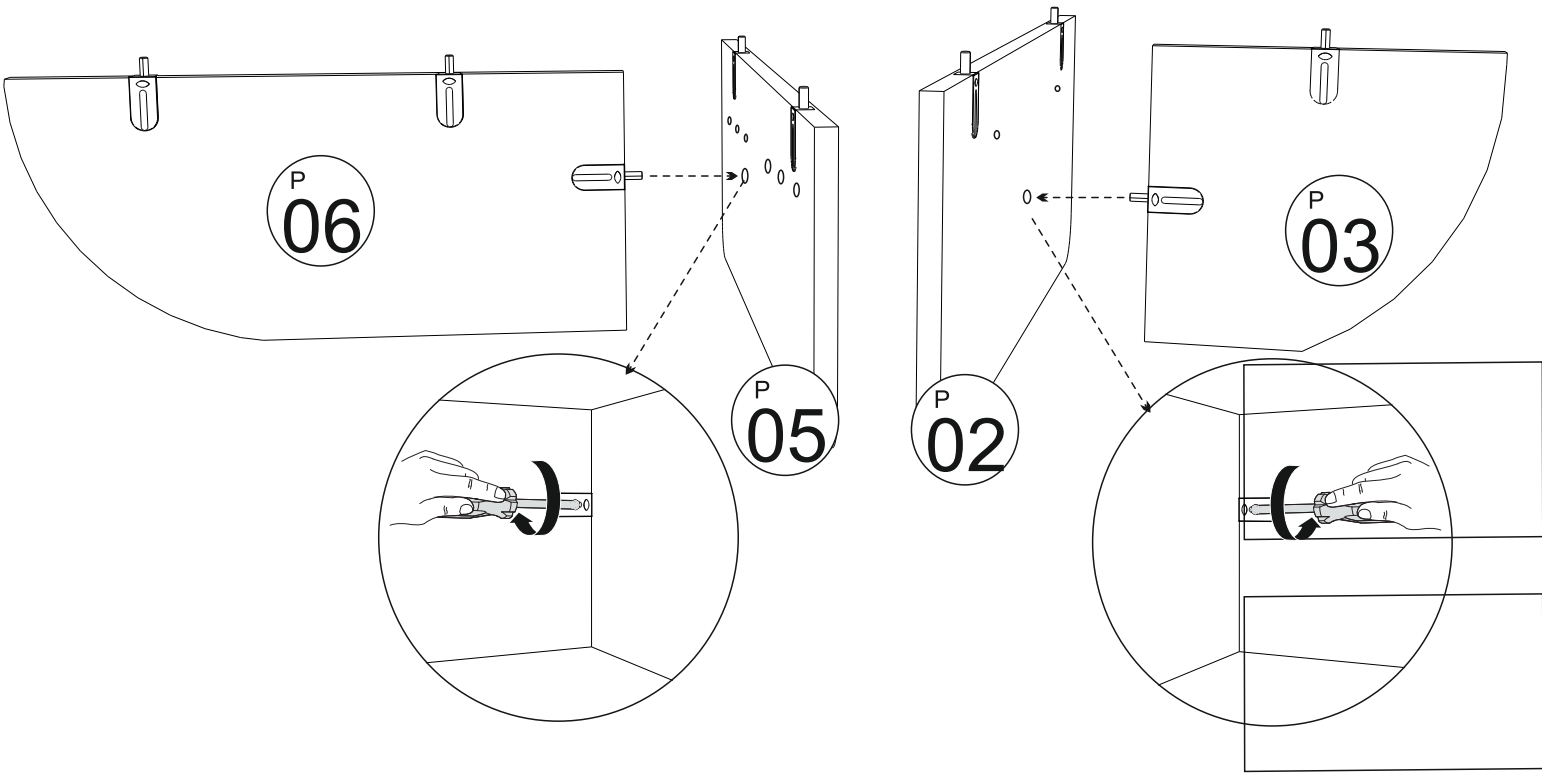
**x1**



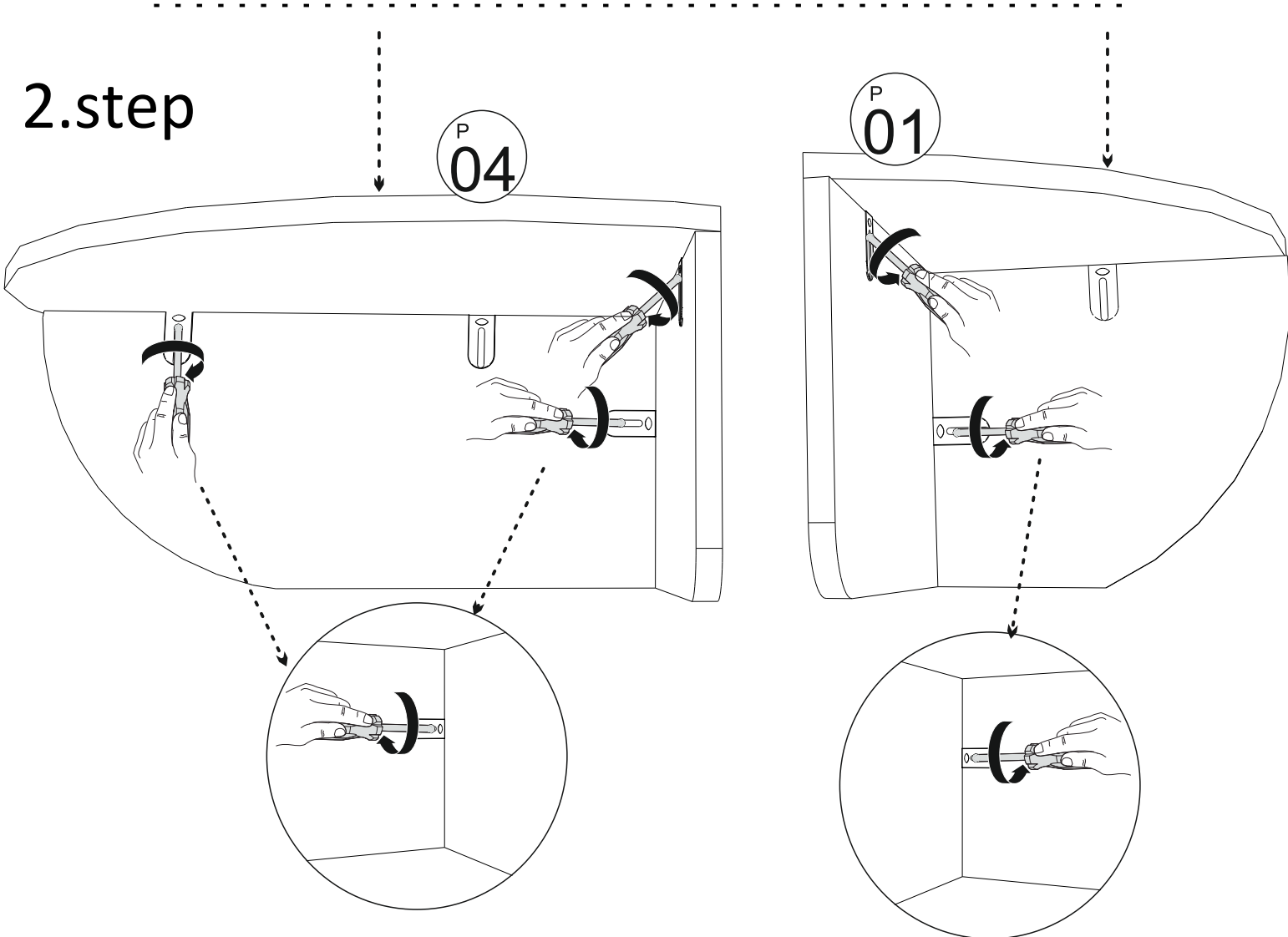
**x2**

**A15**

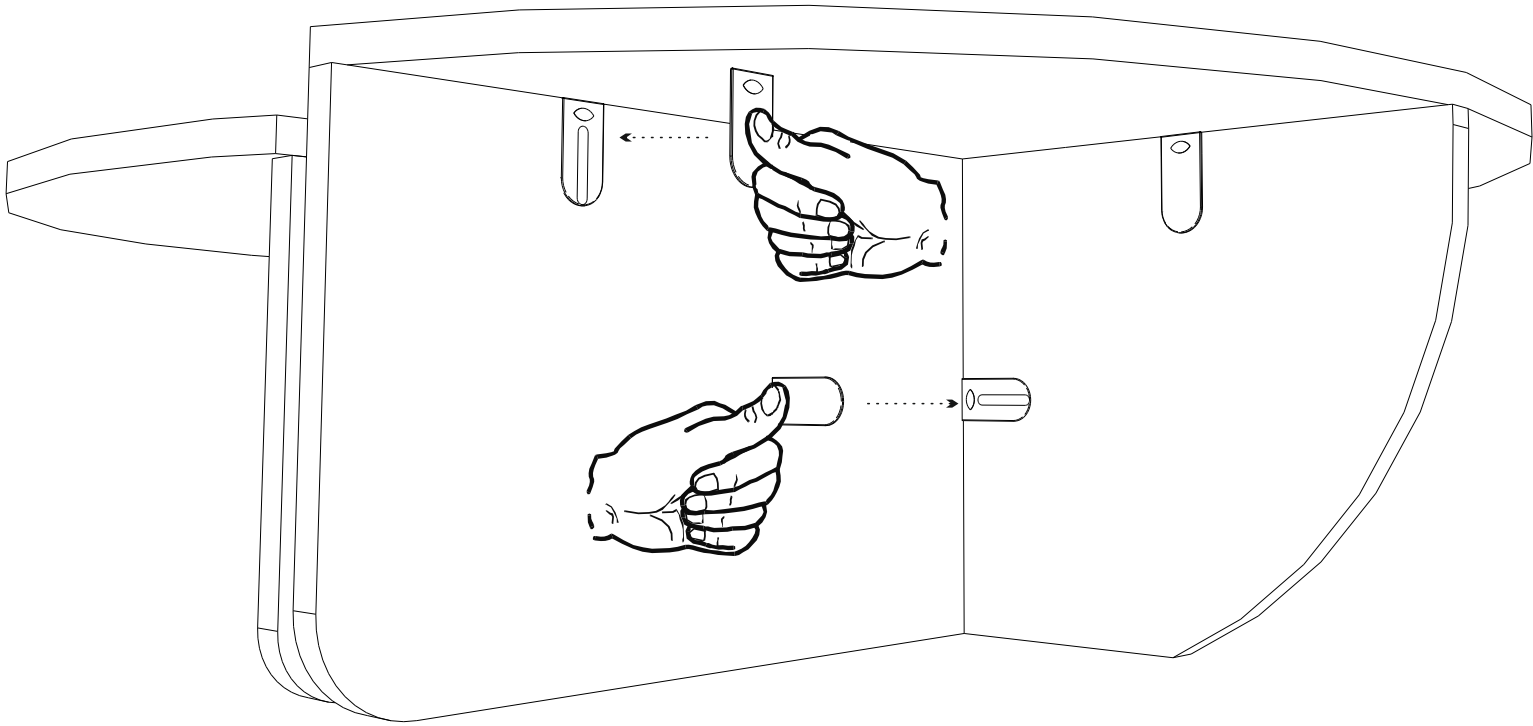
# 1.step



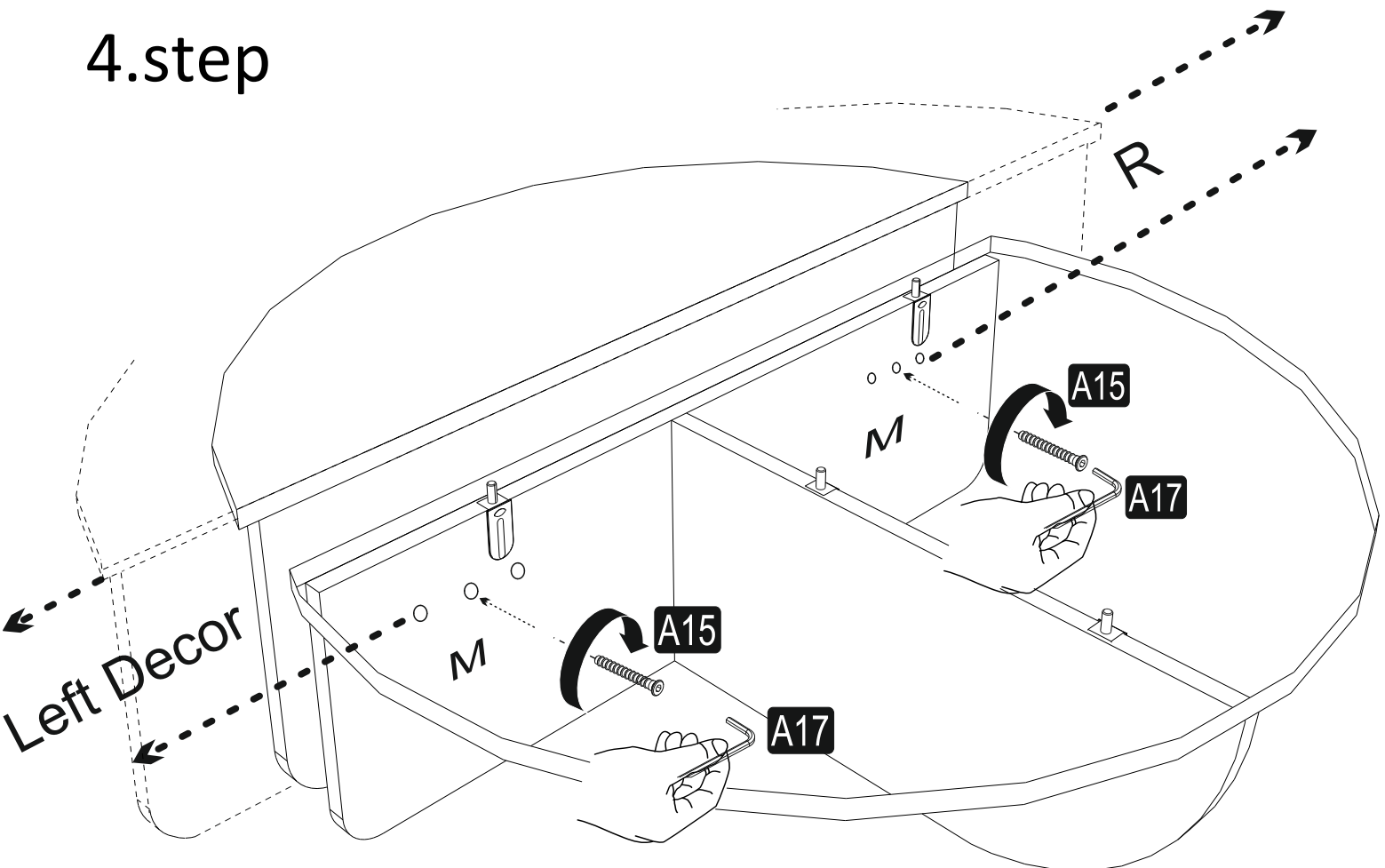
# 2.step

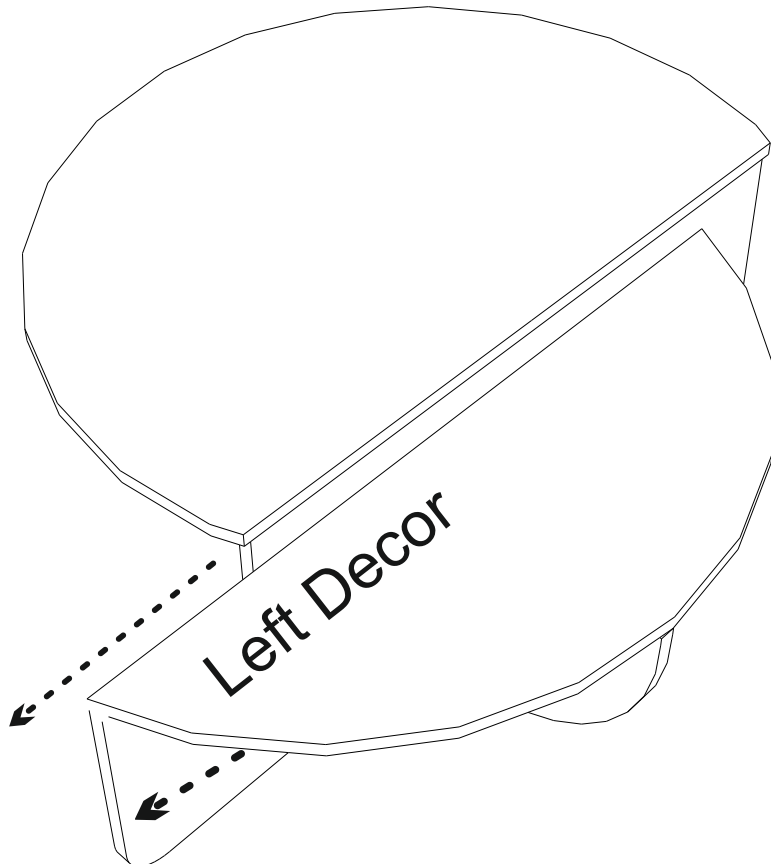
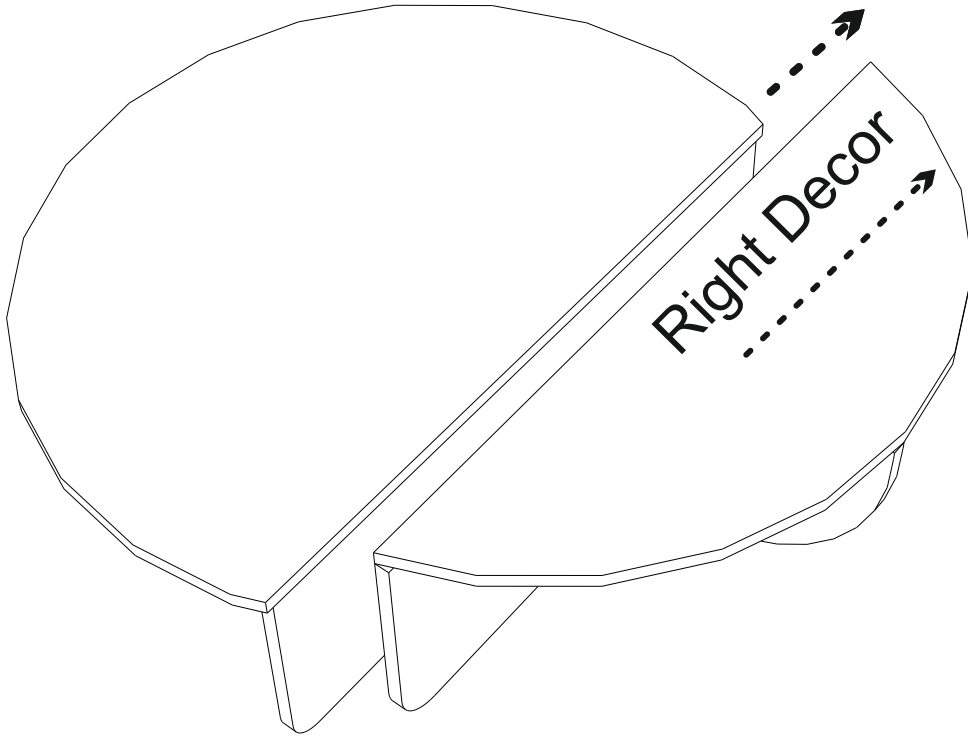


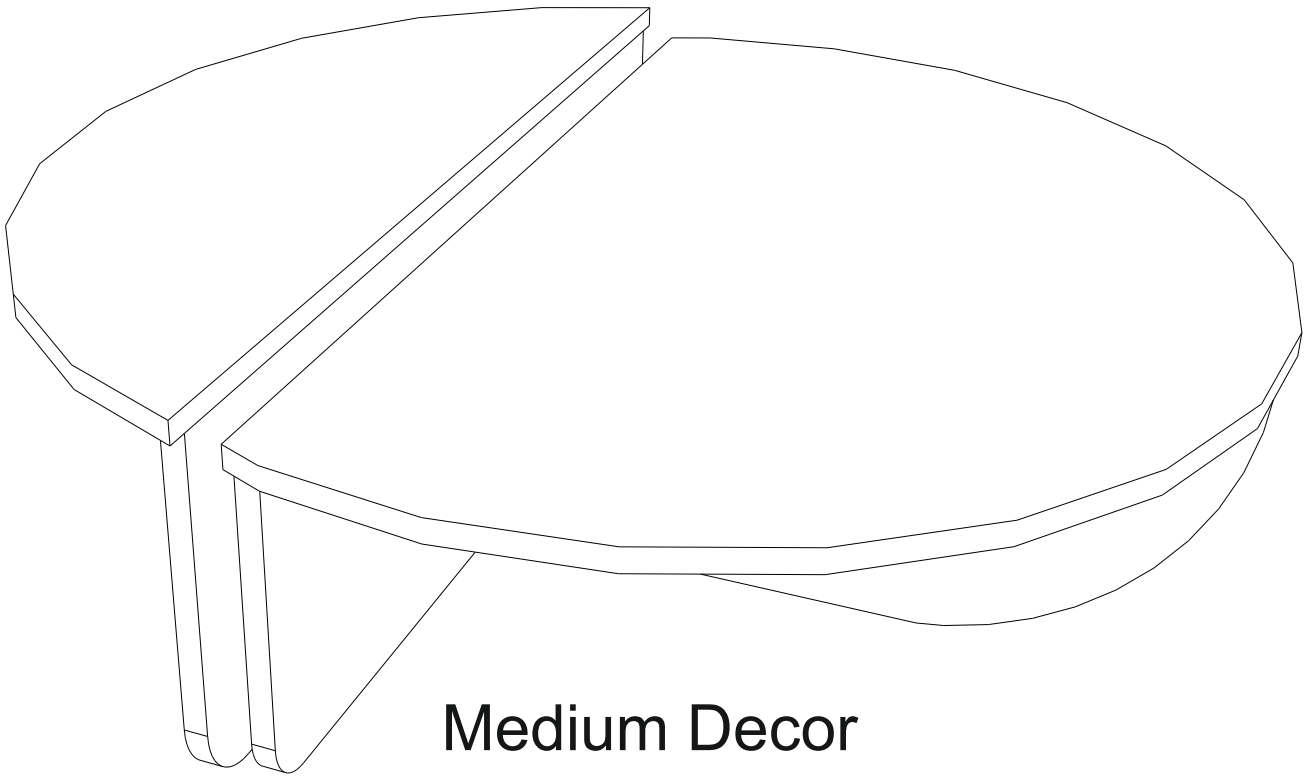
### 3.step



### 4.step







**Medium Decor**