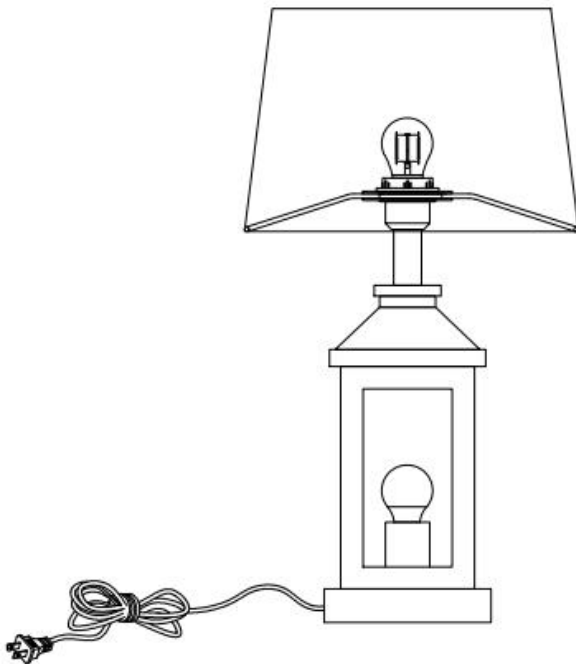


## WARNING

(To reduce the risk of fire, electric shock, or injury to persons):

1. Please read the instruction carefully and save it as you may need it at later time.
2. For indoor use only. Improper installation, adjustment, alteration, service, maintenance or use can cause personal injury or property damage. Before installing, always turn off the power for the circuit.
3. Make sure the voltage you are using is 120V. The maximum wattage is 40W per bulb. Never use a bulb of a greater wattage than recommended.
4. To replace the bulb, unplug the lamp from its power source and allow it to cool first. Then change the bulb, plug it in and switch it on. Do not touch the bulb or lamp shade during the lighting fixture working.
5. Clean with soft, dry cloth. Always avoid the use of harsh chemicals, acidic liquid, or abrasive cleaners as they may cause damage to the lamp.
6. Contact a qualified electrician if you experience any issues during installation.
7. This product is not suitable for children under 14 years of age. Periodically check and re-tighten all screws and fasteners. Firmly secure all pieces. Small parts may present a choking hazard.
8. The safety instructions appearing in this manual are not meant to cover all possible conditions that may occur. It must be understood that common sense, caution and care must be used with any electrical products.

### Image for finished product:



Electrical specifications:

Voltage/Frequency: 120V-60Hz

Bulb Base: E26 (Each desk lamp contains an adjustment brightness bulb and a regular bulb)

Wattage: MAX 40W

Color Temp : 3000K Warm White

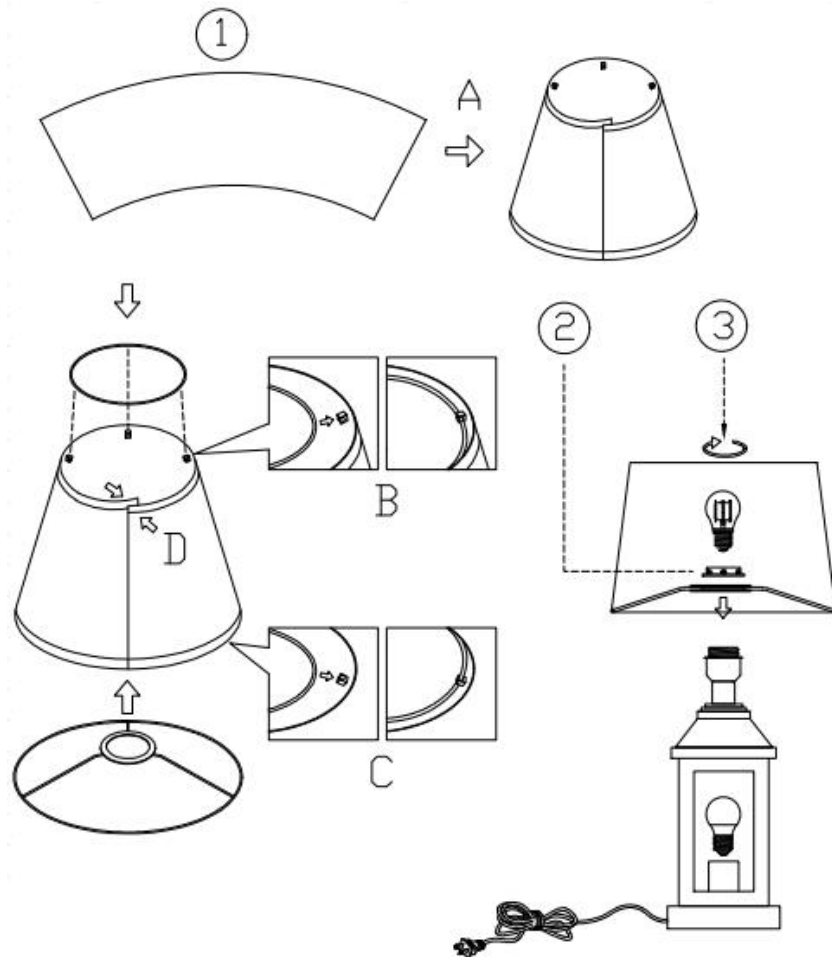
The lamp body is equipped with a Type-C /USB dual-port charging port, with an output of 5V=2A

It can be used for daily charging of mobile phones, tablets, etc. (The charging cable needs to be prepared by yourself.)

## AFTER - SALES SERVICE

Our team is always there to support our products. Our constant goal is to ensure that our customers are satisfied.

In the event that the light fixture you receive is broken, scratched, or not working; missing accessories; difficulty installing; damage from workmanship and quality issues; or just plain dissatisfaction, please send us a picture and get in touch with us through messages (Go to "Your Orders," locate our product's order, and click "Contact Seller."). We'll exert every effort to make sure you're satisfied.



### 1. Install lampshade:

Step A: First, roll the lampshade material into a cylindrical shape.

Step B: Insert the small iron coil into the plastic buckle on the upper part of the lampshade.

Step C: Insert the large (with three pronged frame) iron coil into the plastic buckle under the lampshade.

Step D: Align the two ends of the lampshade and stick them together.

2. Install the lampshade onto the lamp head and secure it with a locking plastic ring.

3. Install the light source. Install a regular 120V~60Hz E26 bulb on top (controlled by a rocker switch).

Install a 120V to 60Hz E26 adjustable brightness LED bulb below (controlled by a touch switch on the lamp body).

Plug in the power, touch the main body of the desk lamp with your fingers once, and the bulb will light up. Repeat the touch once to switch to a different brightness. After switching the brightness twice, touch it again to turn off the bulb.

To turn off the light directly, touch the light body and stay for 3-5 seconds.