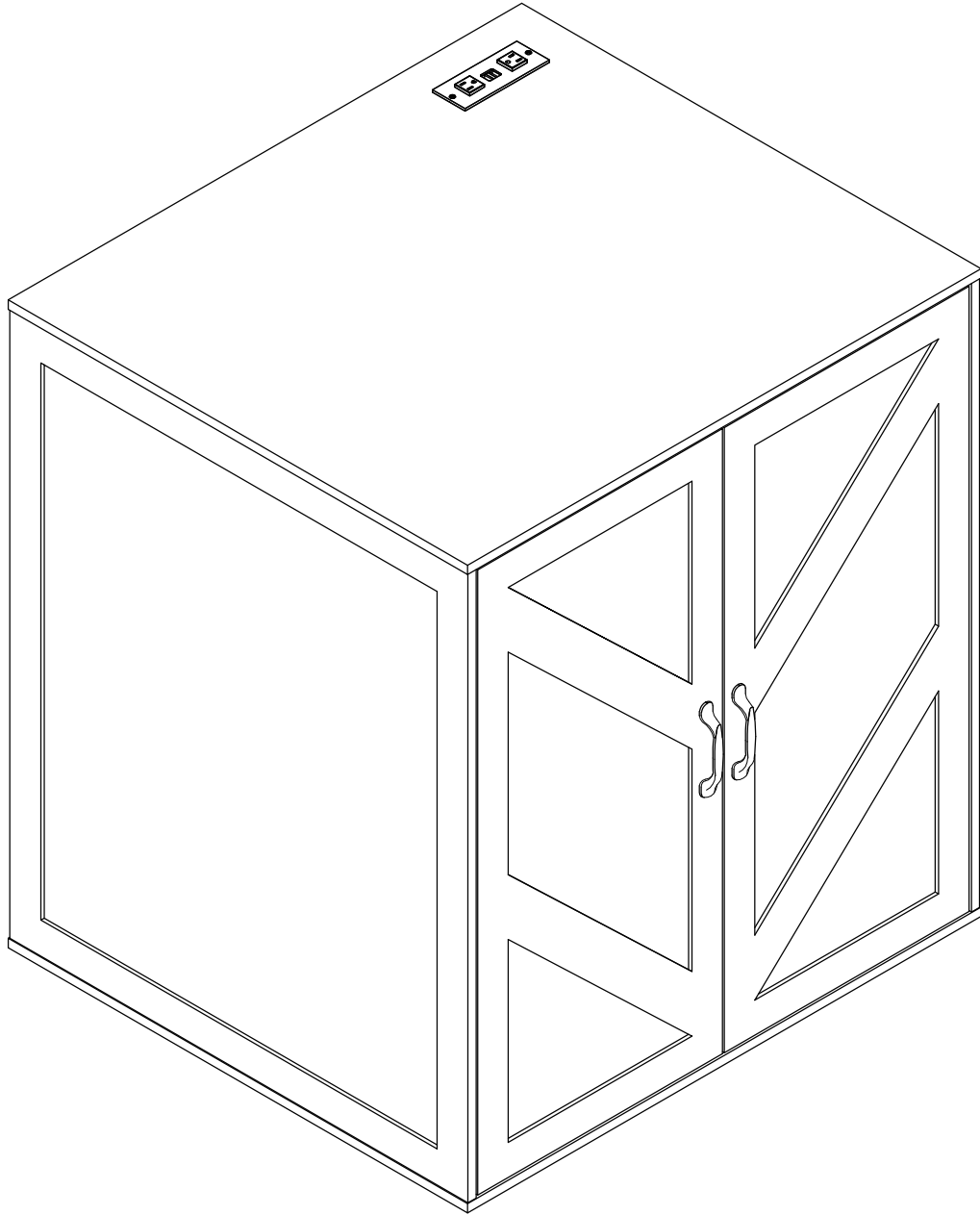


Installation & Assembly

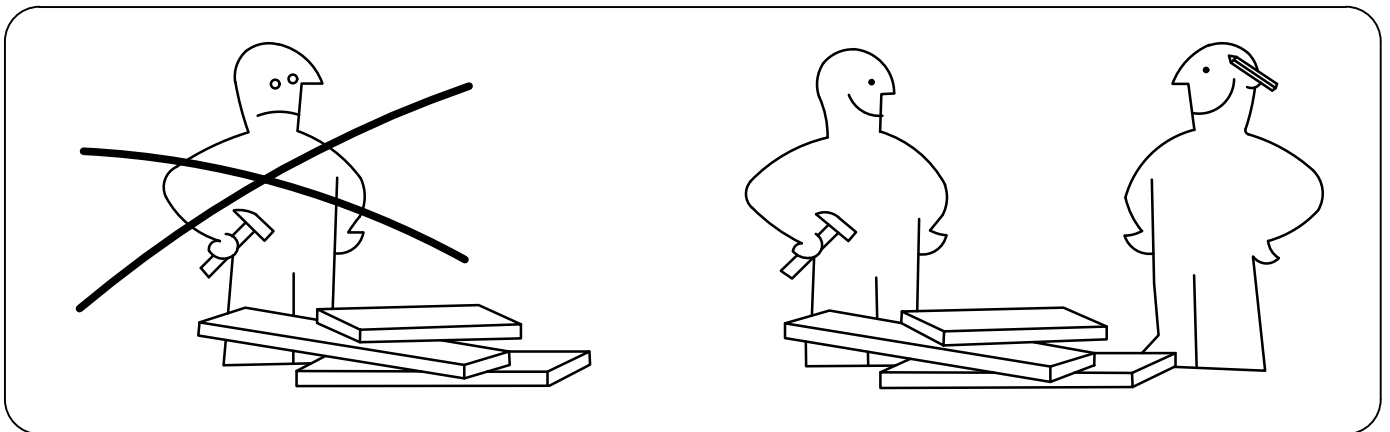
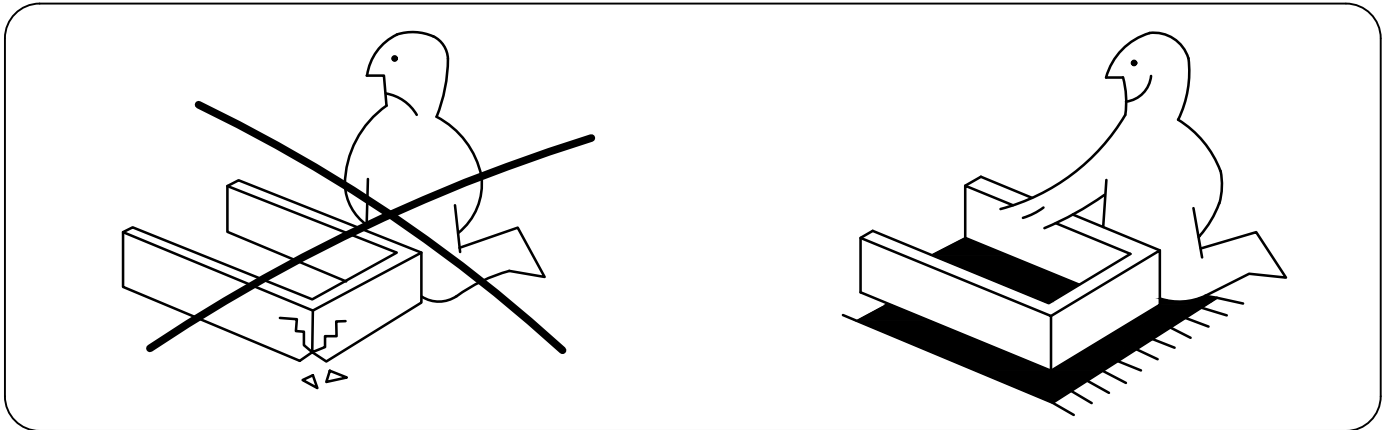


If you received a defective furniture or some parts are missing in box, please come to us with email. We will handle your case soon without returning.

Version:1.1

INTRODUCTION

Thank you for purchasing our products. Committed to providing customers with the best quality products and service has always been our lifelong goal. Before using the product, please read this instruction manual carefully to ensure correct use. Keep the instruction manual in a place where the user can find it at any time.



PRECAUTIONS

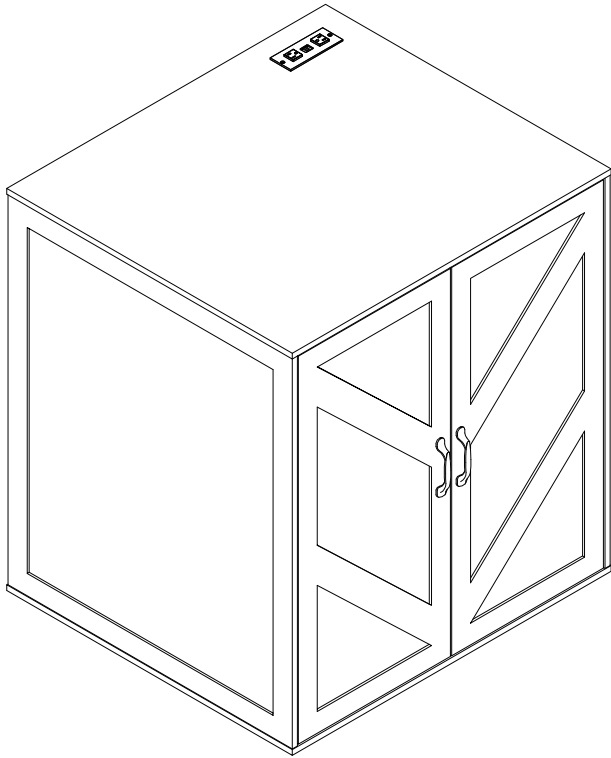
1. There are many components and accessories in the package. Each component and accessory is labeled with a letter or a number, check carefully before using any of them. Keep them away from children to prevent accidents.
2. Please install the product on a clean and soft underlay (such as carpet or cardboard) to avoid scratching or damaging the surface of the product.
3. The main components of the product is relatively heavy. Please pay attention to safety during installation.
4. The product is not stable during installation. Please do not move it randomly before it is completely installed.
5. If you have any questions during installation, please contact the customer service in time.

***PLEASE BE SURE TO FOLLOW THE INSTALLATION STEPS IN THE MANUAL TO AVOID UNNECESSARY LOSSES CAUSED BY IMPROPER INSTALLATION.**

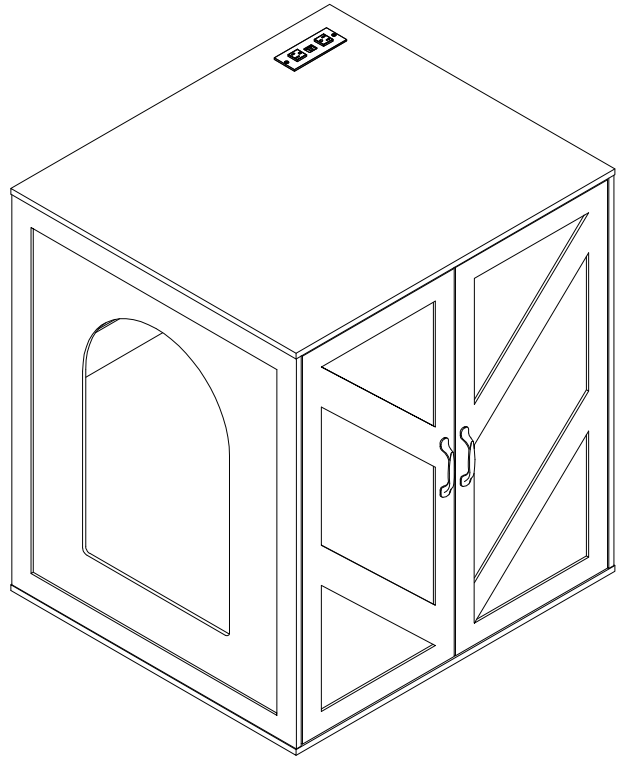
***IF YOU NEED FURTHER ASSISTANCE, PLEASE CONTACT THE CUSTOMER SERVICE ONLINE.**

DIY Door & Side Entrance

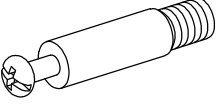
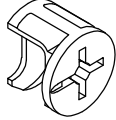
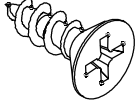
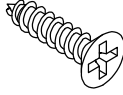
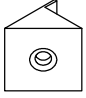


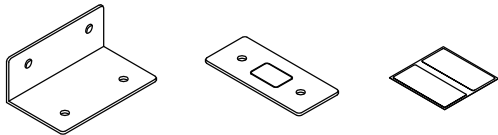
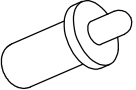
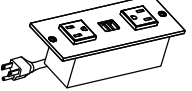
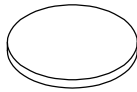
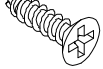
This door and side entrance feature a DIY design, allowing you to install it in whichever direction you prefer.



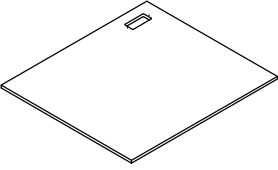
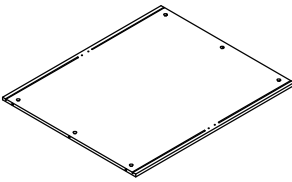
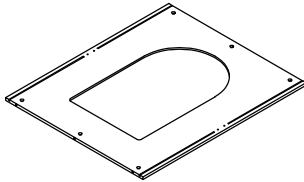
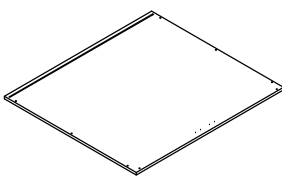
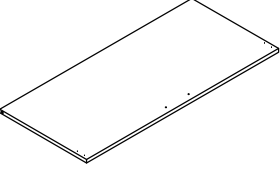
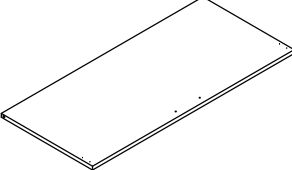
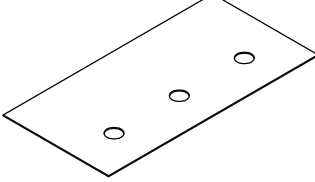
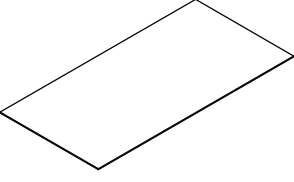
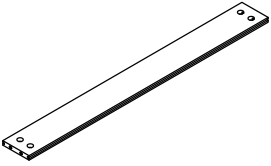
OR



HARDWARE LIST

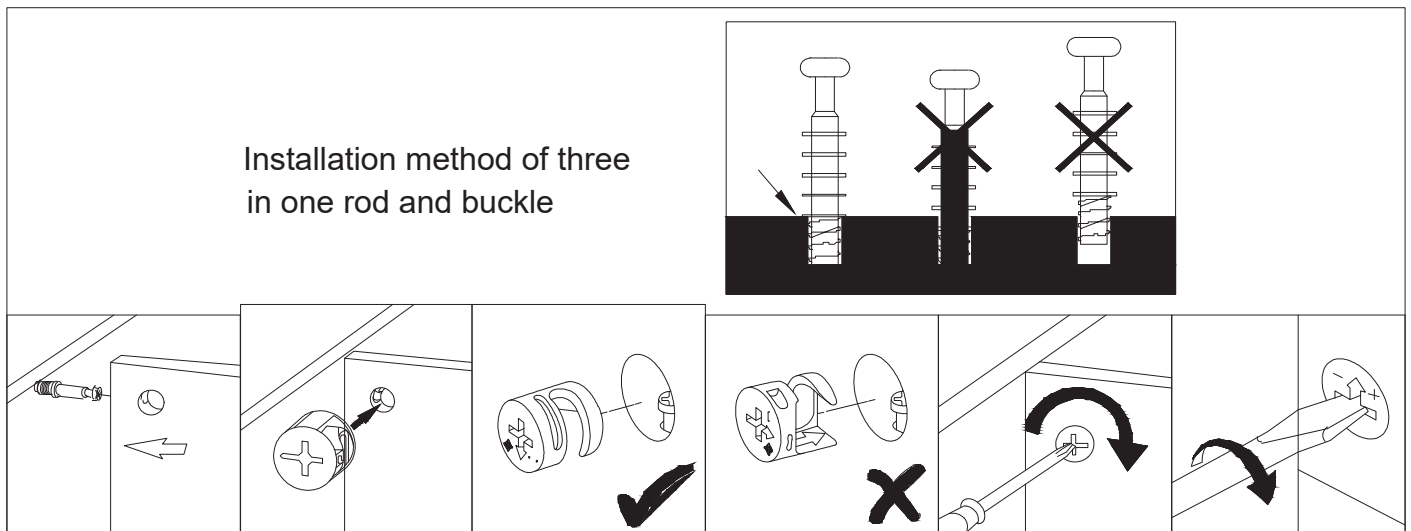
<p>A</p>  <p>6×35mm 16(+1)PCS</p>	<p>B</p>  <p>16(+1)PCS</p>	<p>C</p>  <p>M3.5×12mm 2 PCS</p>	<p>D</p>  <p>M3×14mm 8(+1) PCS</p>	<p>E</p>  <p>15×14×10mm 8 PCS</p>
<p>F</p>  <p>M4×16mm 4 PCS</p>	<p>G</p>  <p>2 PCS</p>	<p>H</p>  <p>H-1 H-2 H-3 4 PCS</p>		<p>J</p>  <p>4 PCS</p>
<p>K</p>  <p>1 PC</p>	<p>L</p>  <p>6 PCS</p>	<p>M</p>  <p>M3×10mm 16(+1)PCS</p>		

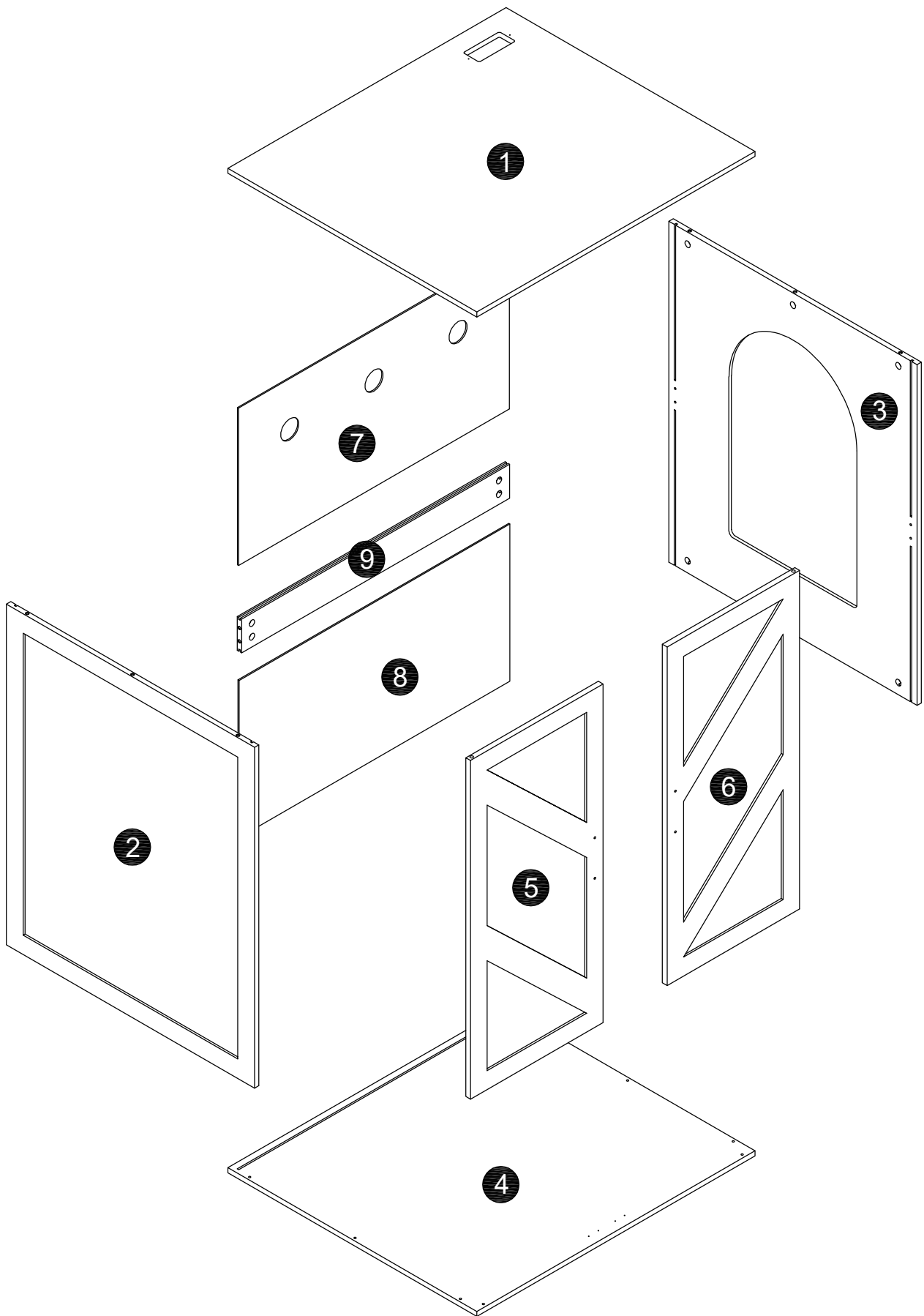
PANEL LIST

<p>1</p>  <p>1PC</p>	<p>2</p>  <p>1PC</p>	<p>3</p>  <p>1PC</p>	<p>4</p>  <p>1PC</p>
<p>5</p>  <p>1PC</p>	<p>6</p>  <p>1PC</p>	<p>7</p>  <p>1PC</p>	<p>8</p>  <p>1PC</p>
<p>9</p>  <p>1PC</p>			

TIPS

1. When installing the product, use a soft surface (such as carpet or cardboard) to avoid scratching or damaging the surface of the product.
2. Please try to use a manual screwdriver instead of electric screw driver. A manual screwdriver can be used to better control the tightness of the screws.
3. Do not use any glue.
4. The product is unstable before it is assembled. Please pay attention to the product installation sequence, and align all screws and screw holes before tightening.
5. The structure of this product can not meet the requirements of children climbing.



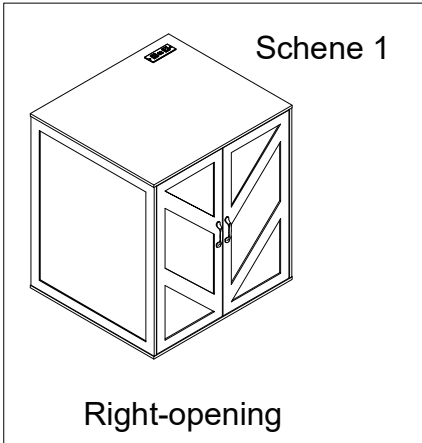


Due to the large number of boards, in order to facilitate the installation, please place the boards in order after opening the parcel and then start the installation.

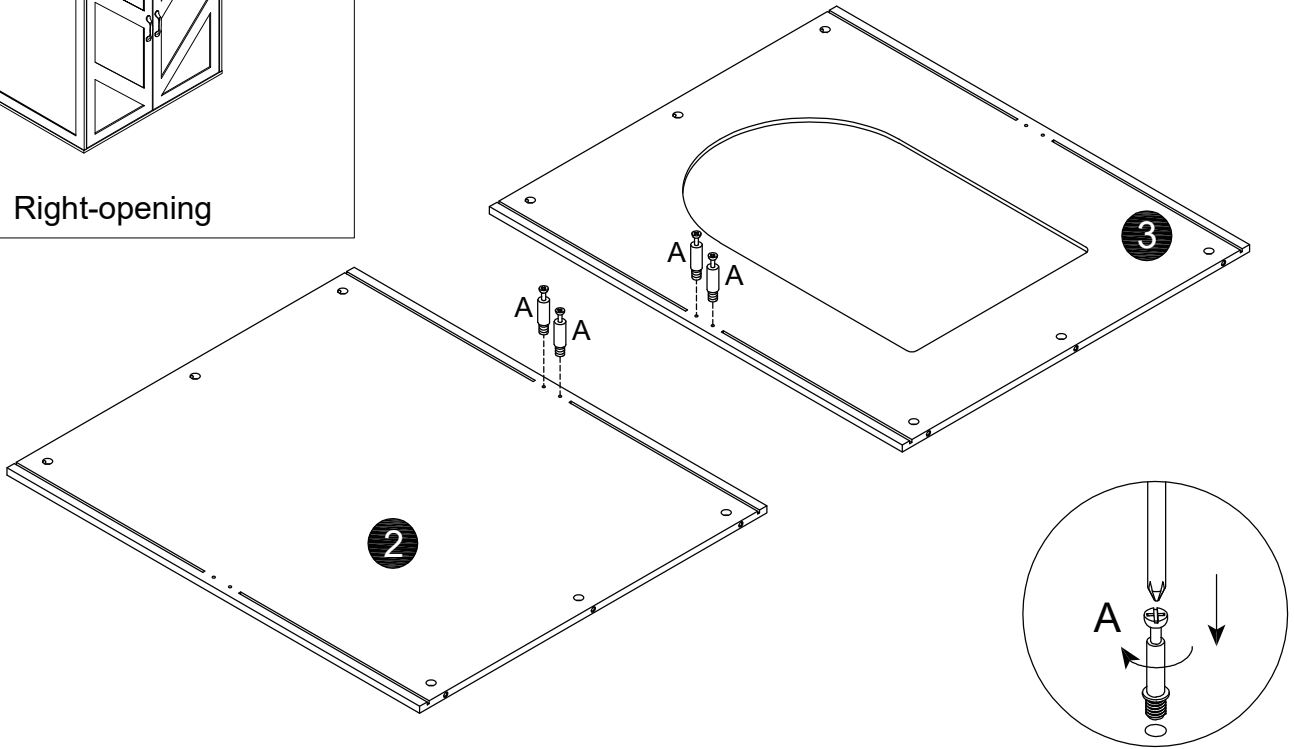
01

INSTALLATION STEPS

Ax4 



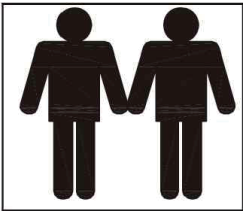
Attention Before installation, please confirm whether the side panel with the opening should be left-opening or right-opening to avoid unnecessary reassembly.



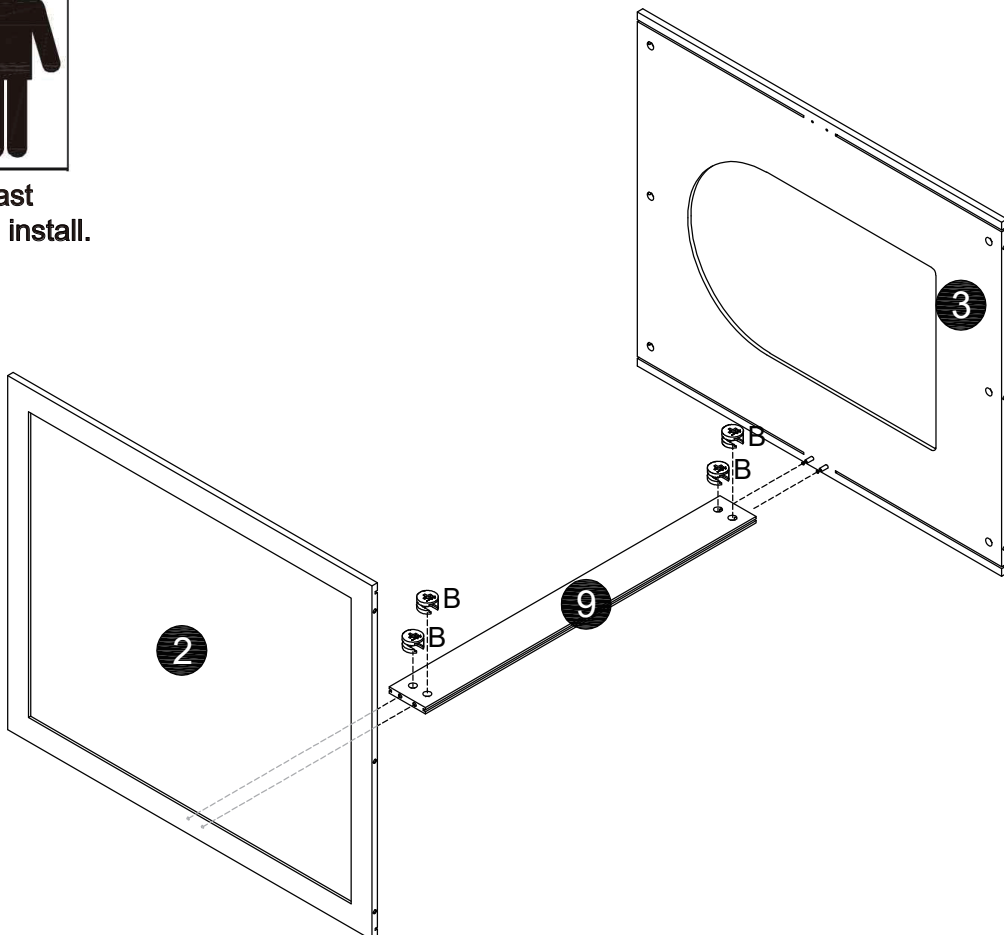
02

Bx4 


NOTE:



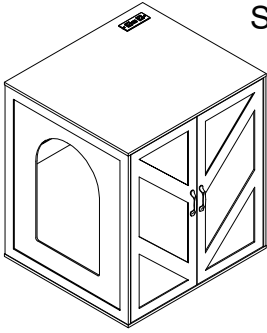
It needs at least two people to install.



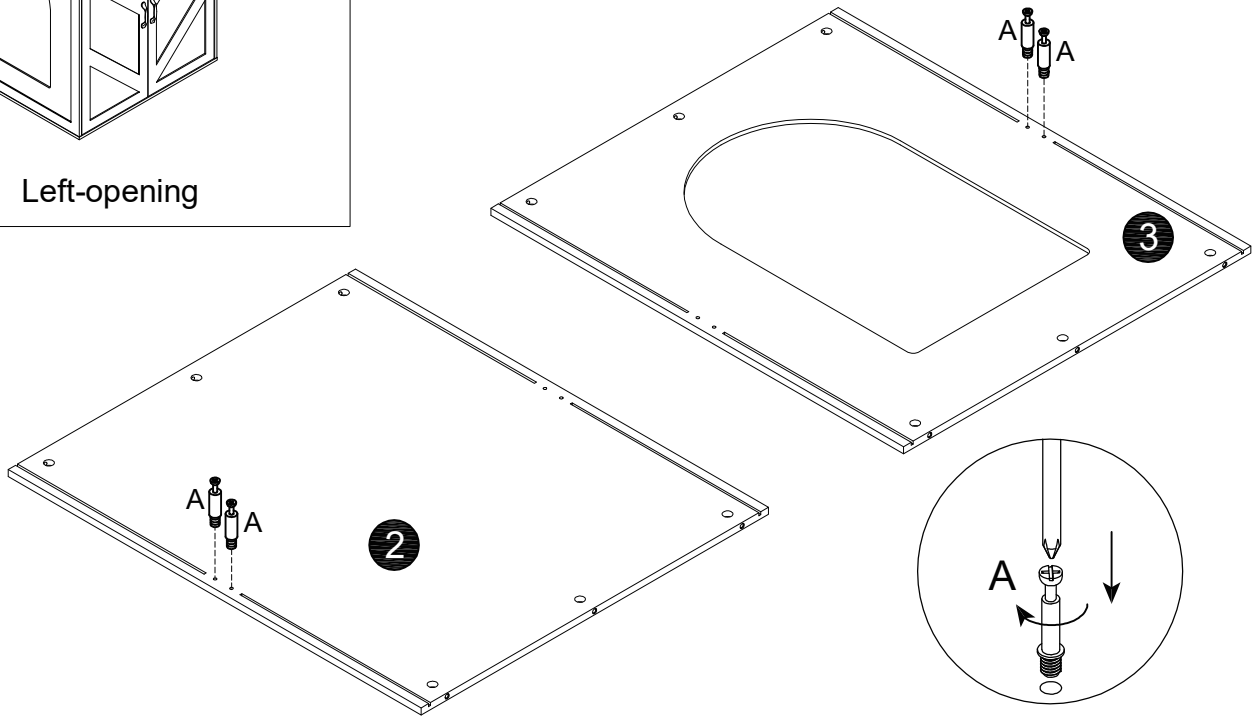
03

Ax4 

Schene 2



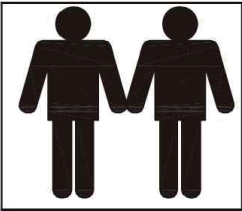
Left-opening



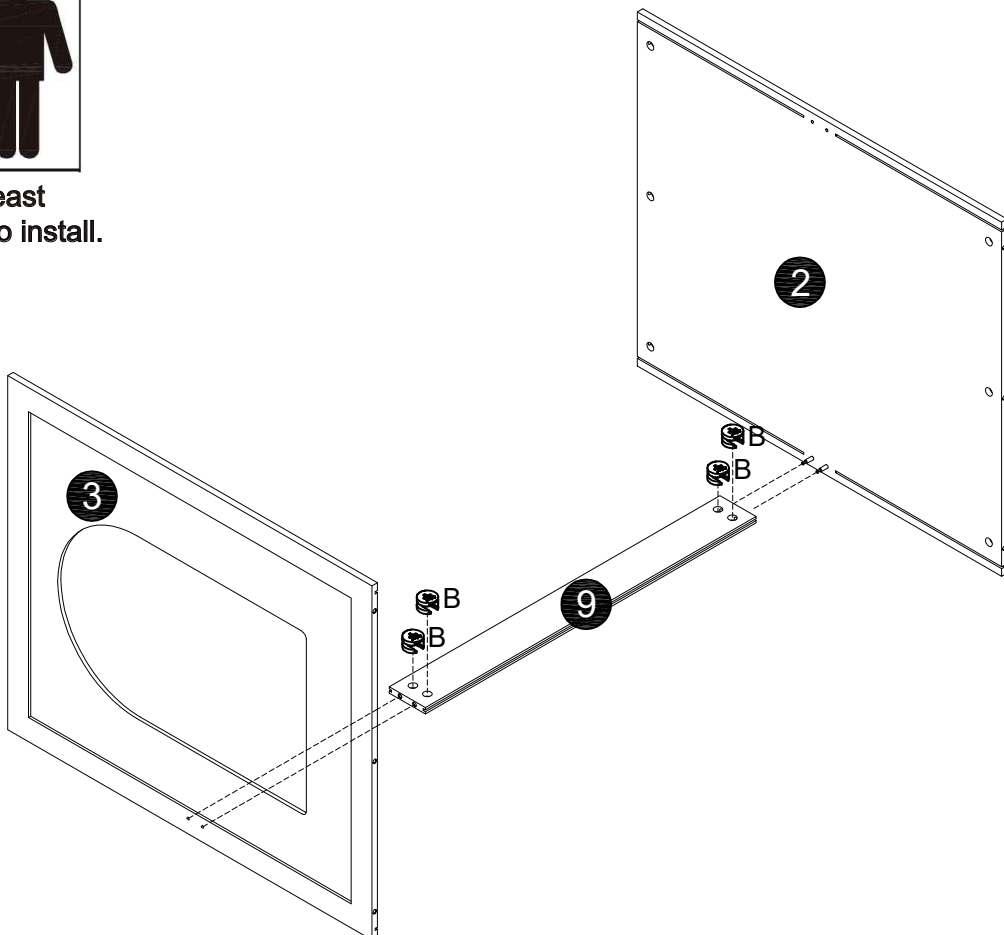
04

Bx4 

NOTE:

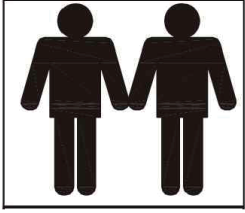


It needs at least two people to install.

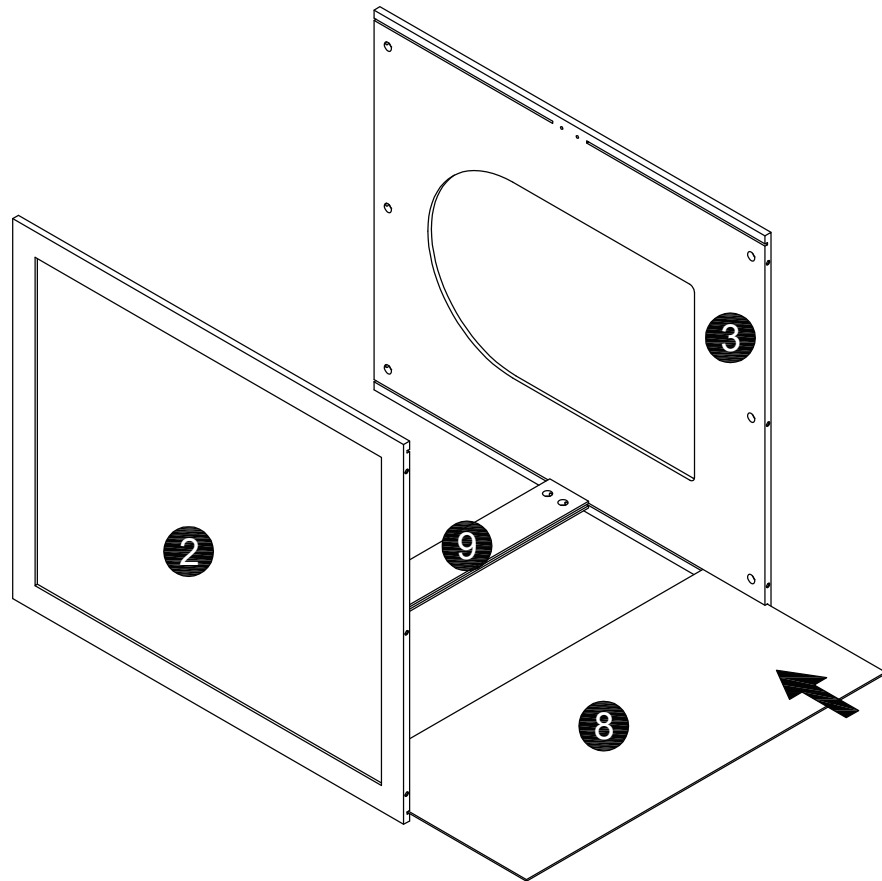


05

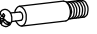


NOTE:

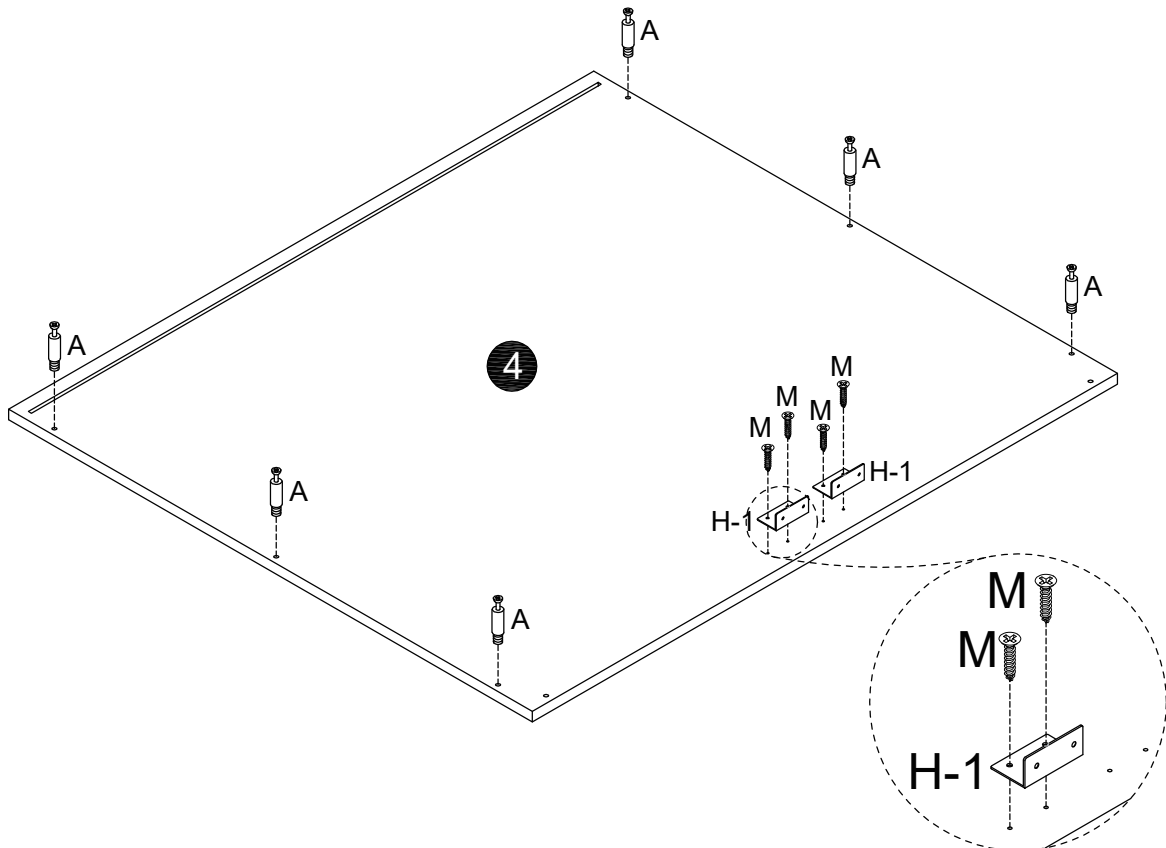


It needs at least two people to install.



06

- Ax6 
- H-1x2 
- Mx4 



07

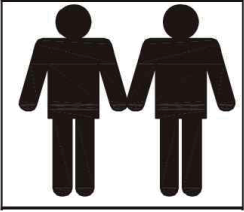
Bx6



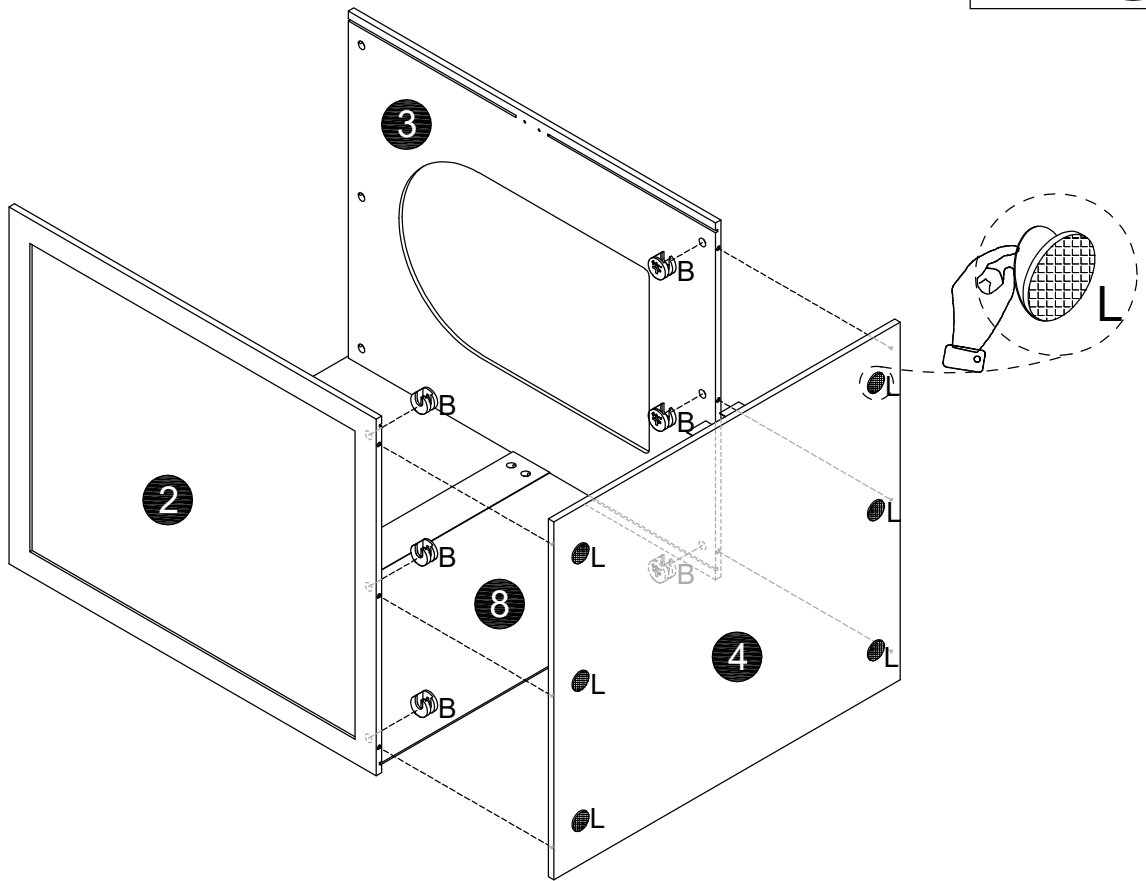
Lx6



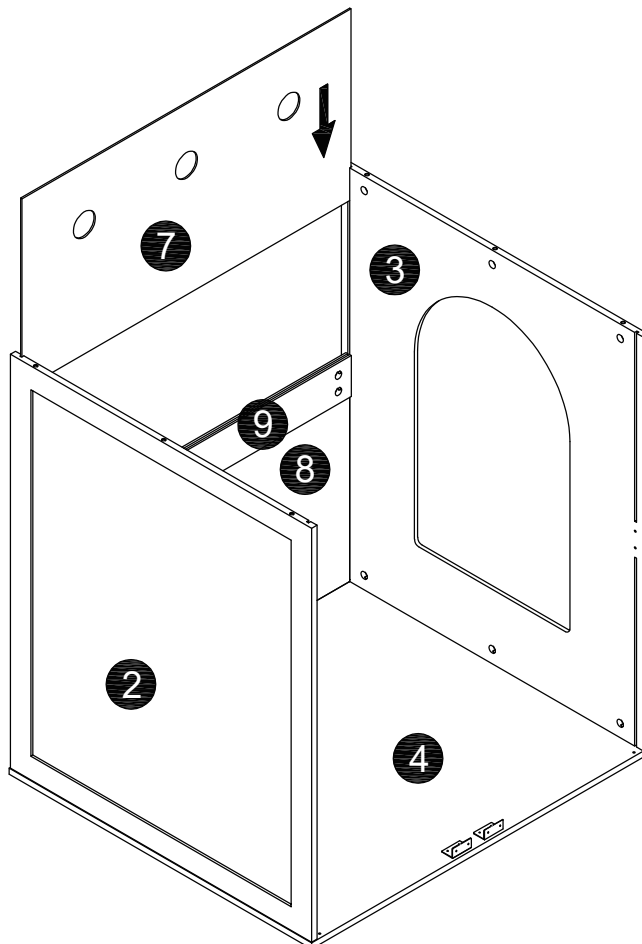
NOTE:






It needs at least two people to install.

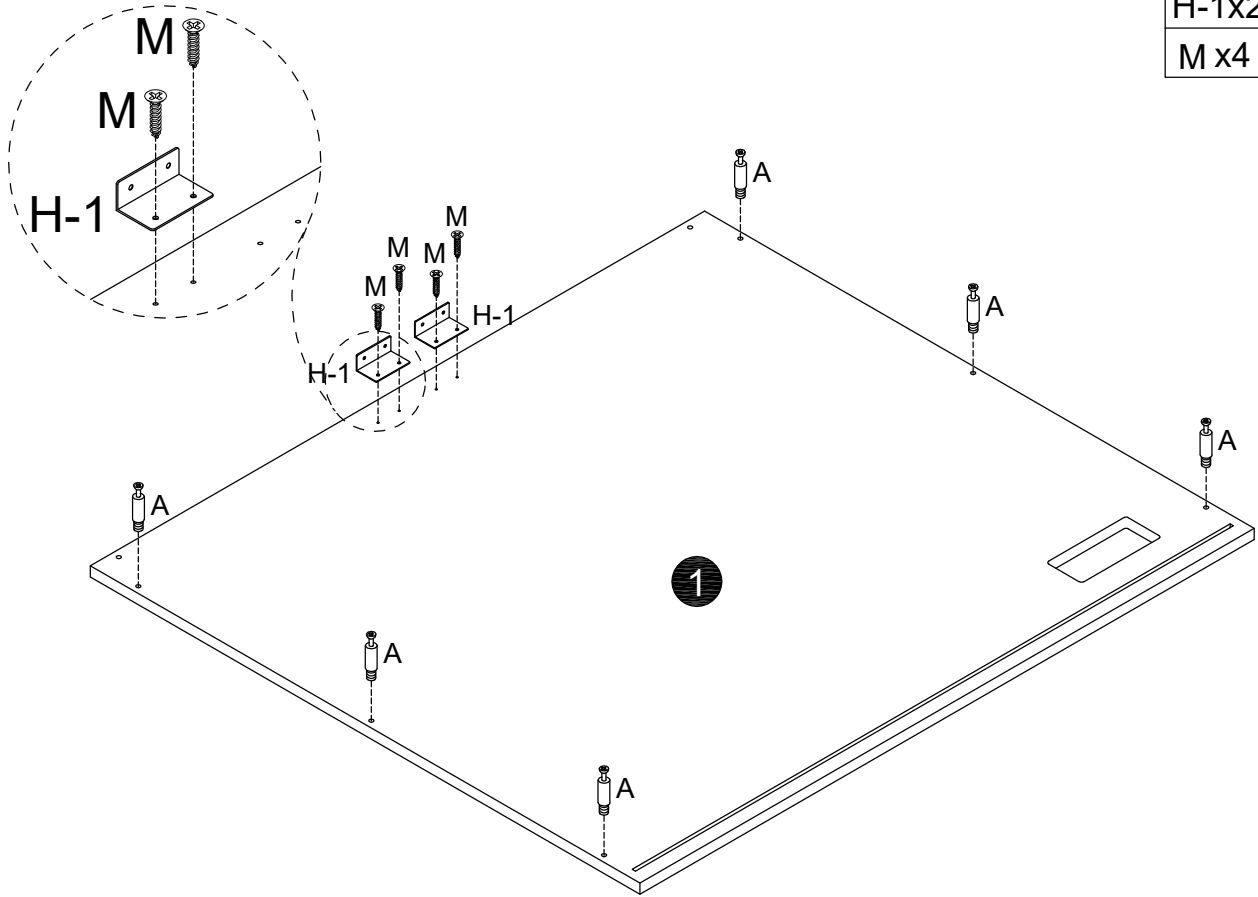


08



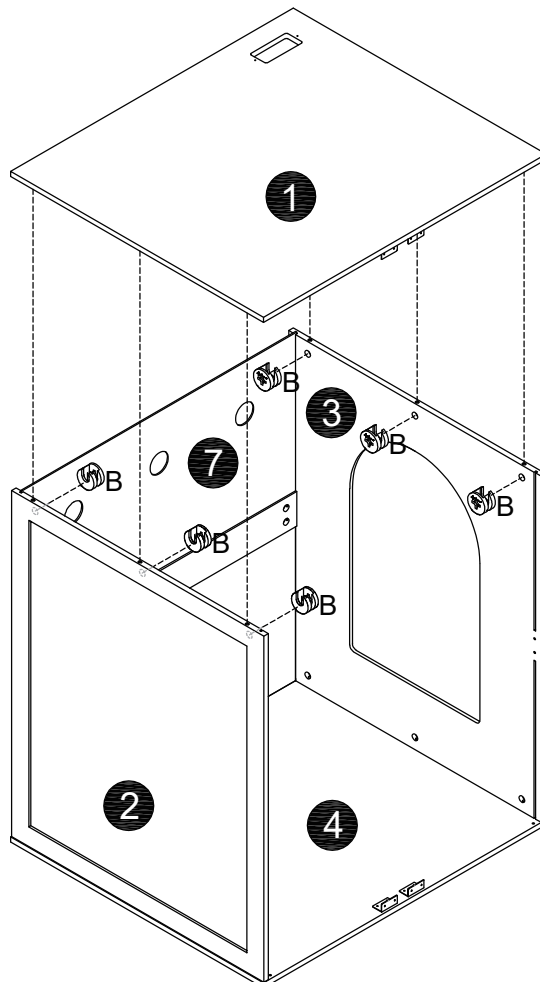
09

- Ax6 
- H-1x2 
- M x4 

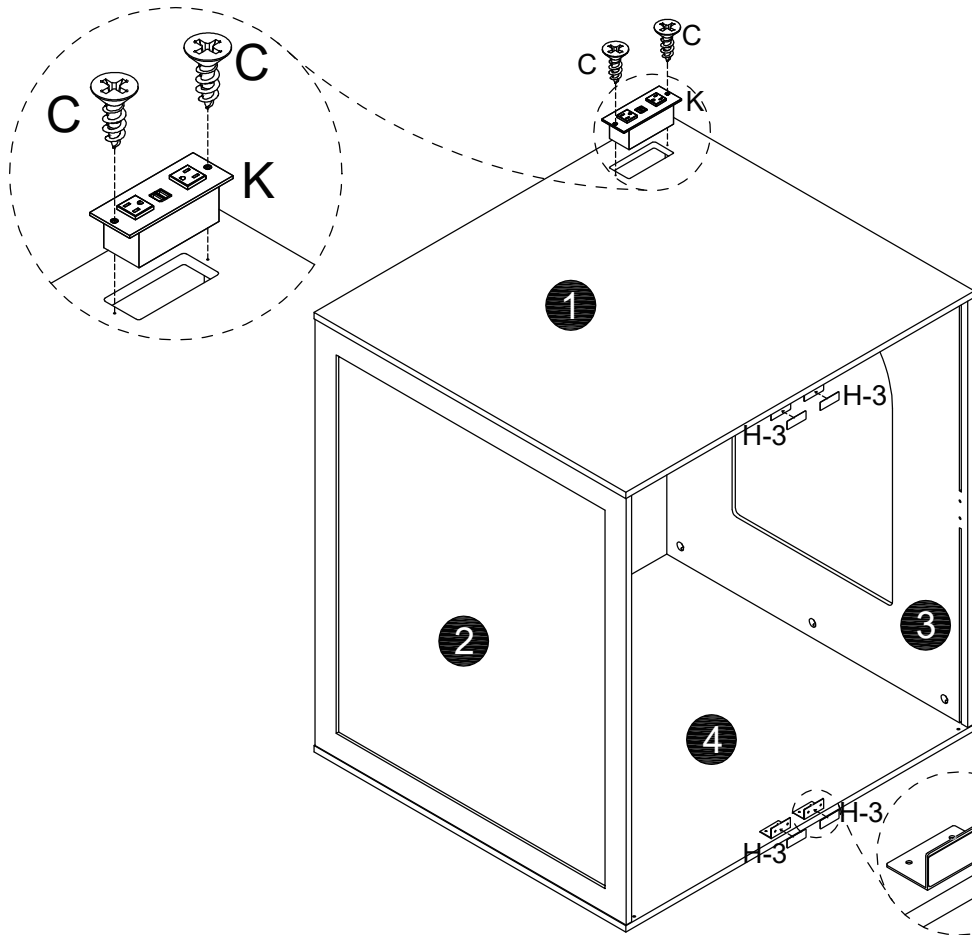





10

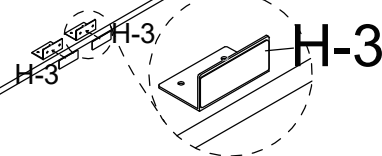
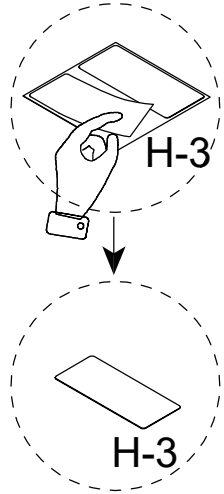
- Bx6 



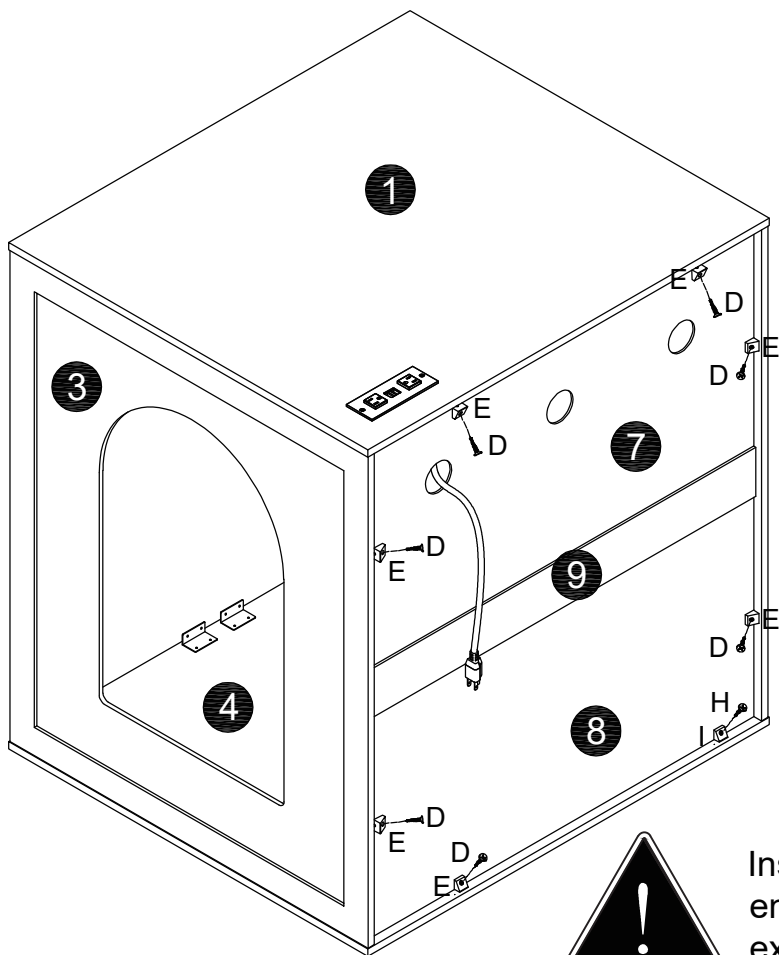
11

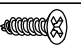



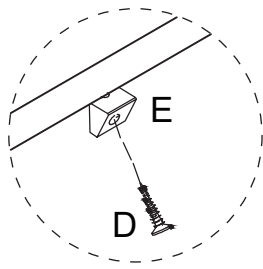
- Cx2 
- Kx1 
- H-3x4 



12








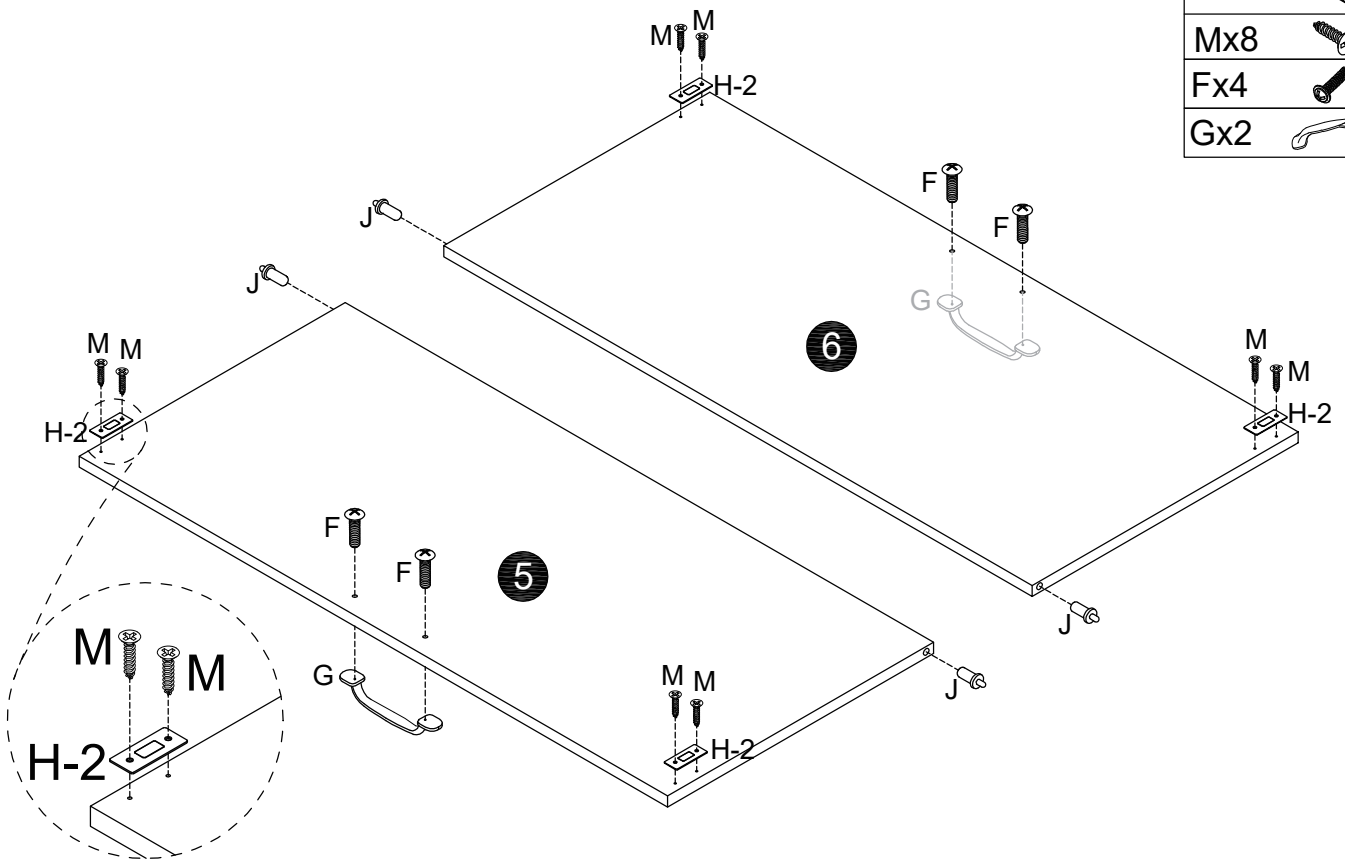
- Dx8 
- Ex8 



Install backboard nails can effectively enhance the stability of the product and extend the life span of the product.

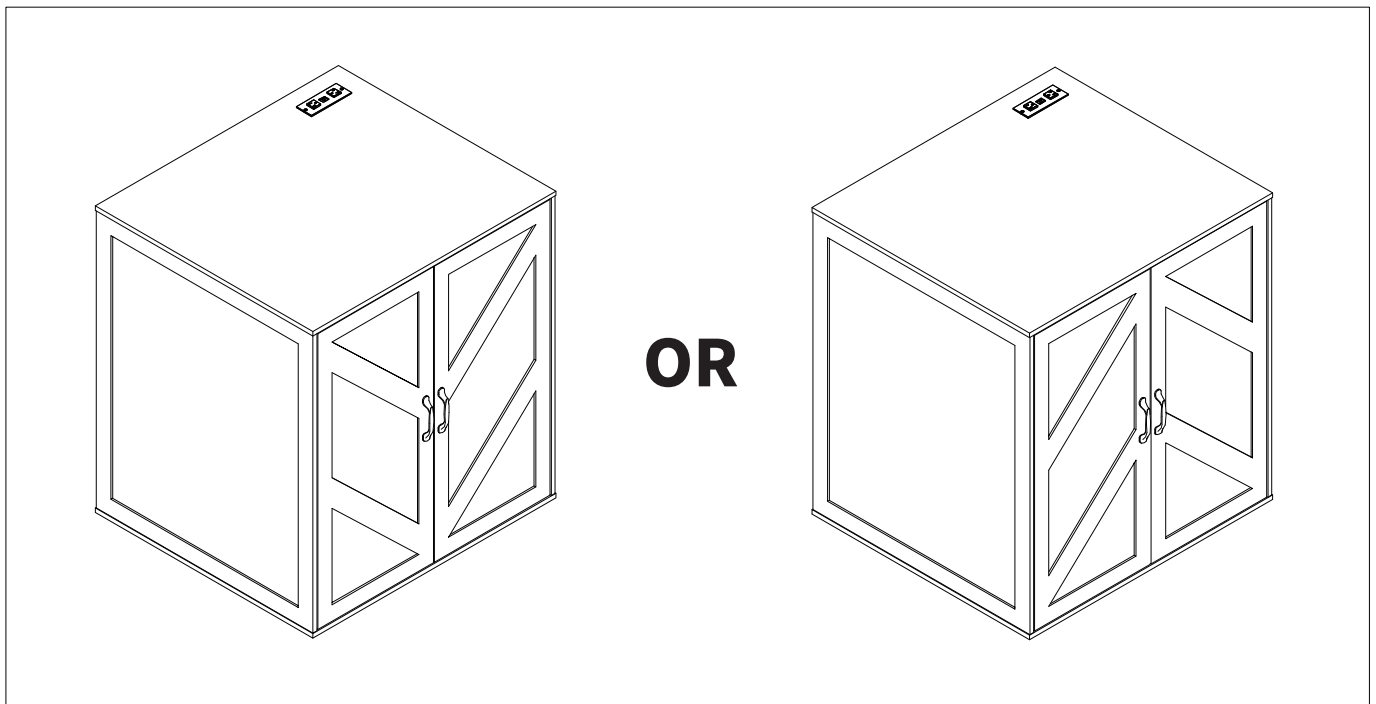
13

Jx4	
H-2x4	
Mx8	
Fx4	
Gx2	

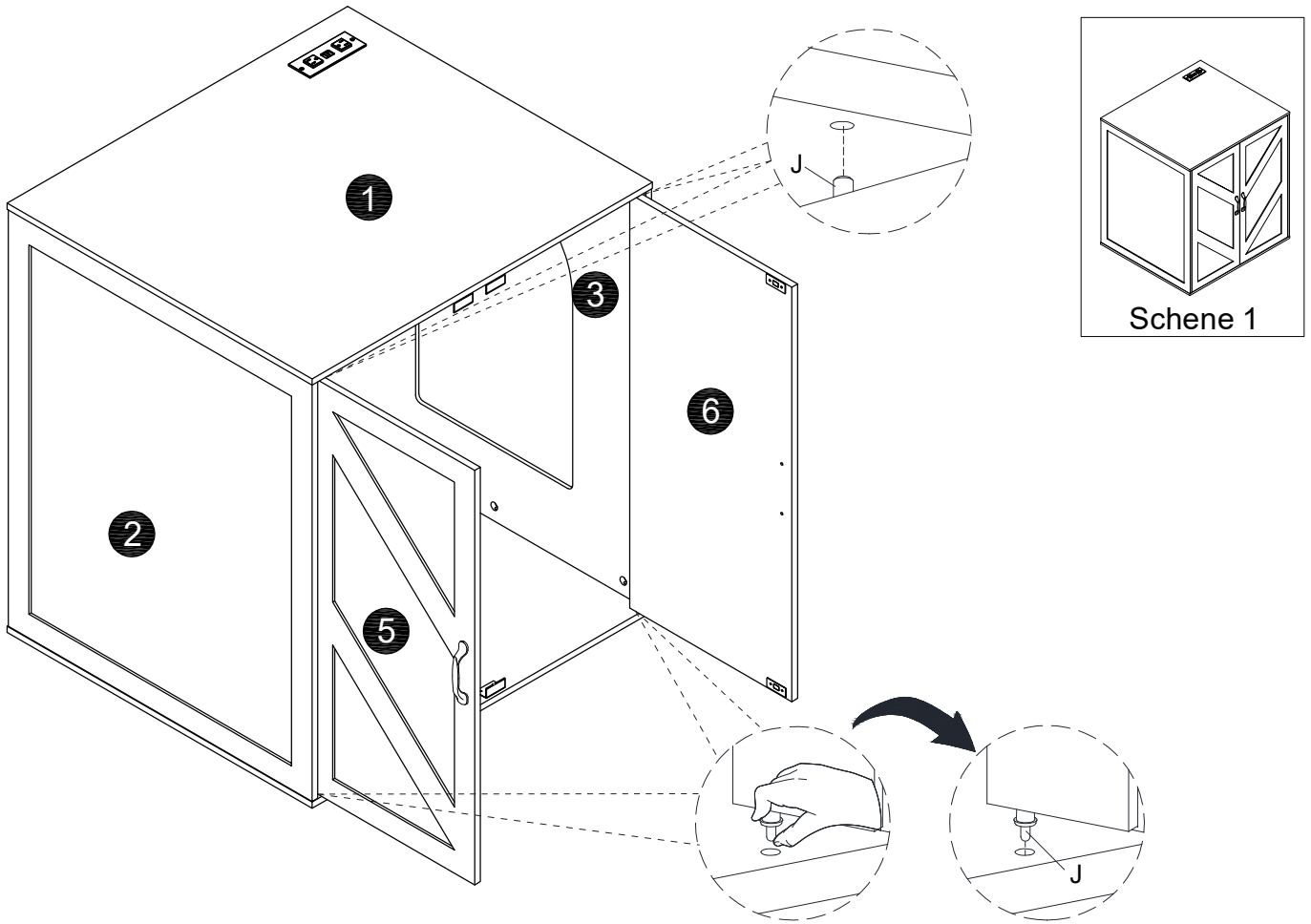


14

Reversible Door



15



16

