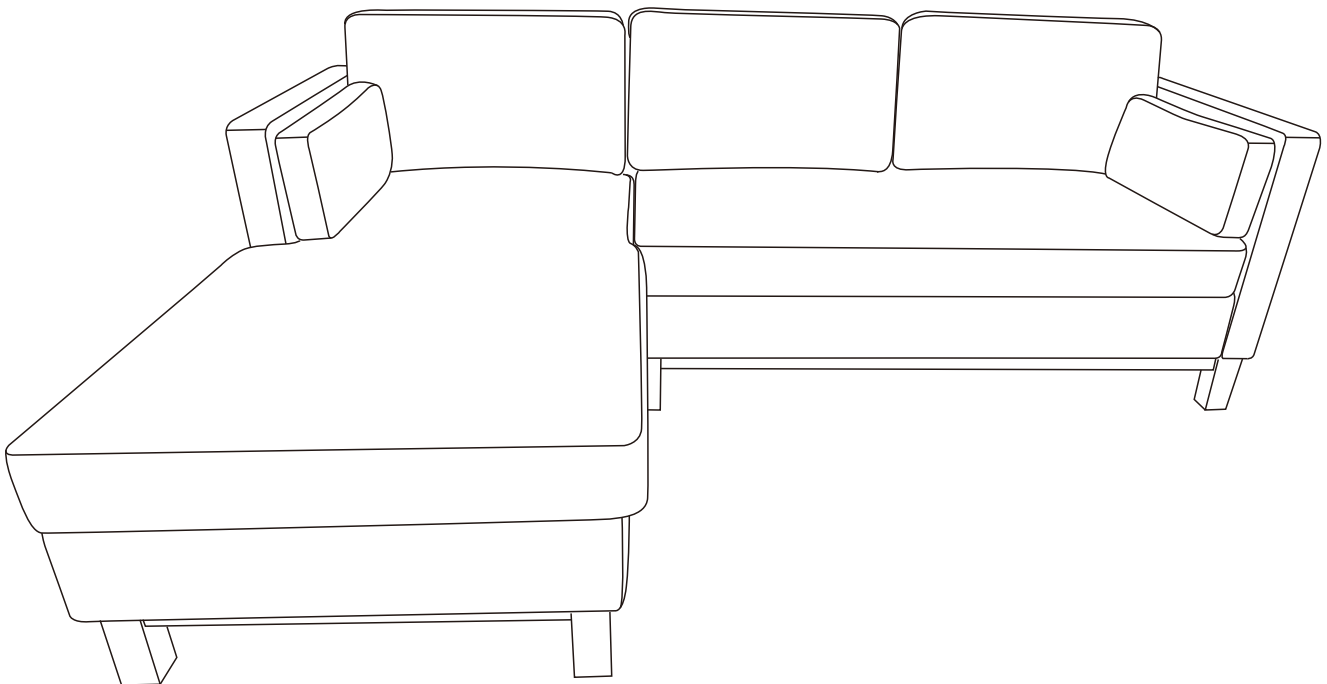


ASSEMBLY INSTRUCTIONS

SPU:522 L-Shape Sectional



TIME



2 OF PEOPLE



DIFFICULTY

NOTICE

Instruction Booklet - Important Safety Information

Thank you for choosing our product. Please review this booklet carefully for essential safety information and keep it for future reference.

- Upon receiving the product, **ensure all parts are present and intact before** proceeding with installation. Follow the entire installation instructions provided.
- During installation, exercise caution and refrain from immediately tightening screws. Secure all screws to 80% before final tightening.

● Note: Cushions are **compressed** and cannot be recompressed once opened.

Returns are accepted only for items in their **original, unopened condition**.

For assistance, contact our support team at xlmcustomerservice@gmail.com

if you encounter the following issues:

- A. The outer box is damaged.
- B. The product is damaged/bent/cracked while you open the box.
- C. The parts/accessories/assembly tools are missing.
- D. The instructions are not clear and cannot be referred to.
- E. The product has functional problems.
- F. Other aspects that you are not satisfied with.

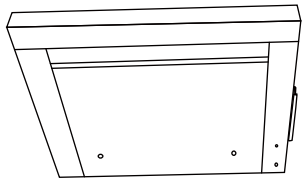
Your satisfaction is our priority, and we're here to assist you every step of the way.



Before installation, please check that the parts are all included !

Carton 1

Materials ▾



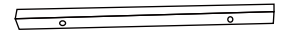
A1*1



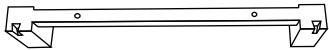
B1*1



C1*1



D1*1



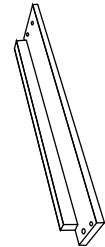
E1*2



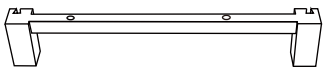
F1*2



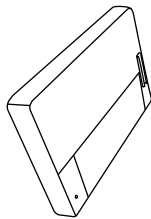
G1*2



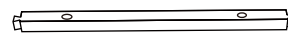
H1*2



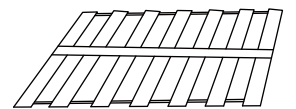
I1*2



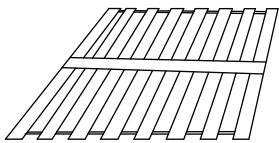
J1*1



K1*2



L1*1



M1*1



N1*2



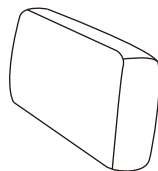
O1*2



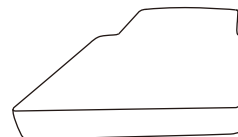
P1*2



Q1*1



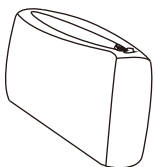
R1*1



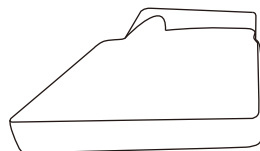
S1*1



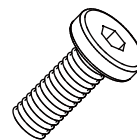
T1*1



U1*1

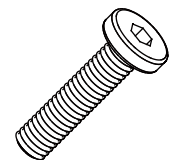


V1*1



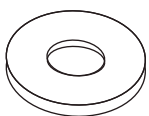
M6*16mm

W1*24

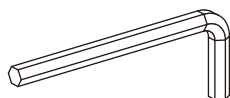


M6*55mm

X1*19



Y1*43

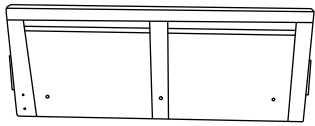


M5

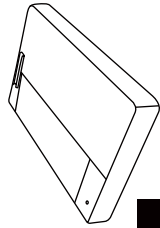
Z1*1

Carton 2

Materials ▾



A2*1



B2*1



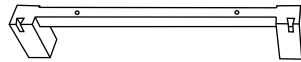
C2*1



D2*1



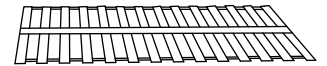
E2*1



F2*2



G2*2



H2*1



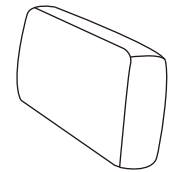
I2*1



J2*1



K2*2



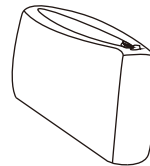
L2*1



M2*1



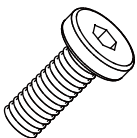
N2*2



O2*1

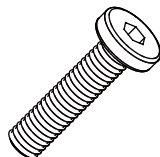


P2*1



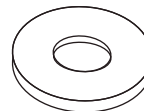
M6*16mm

Q2*8

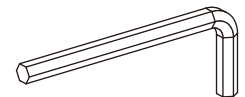


M6*55mm

R2*14



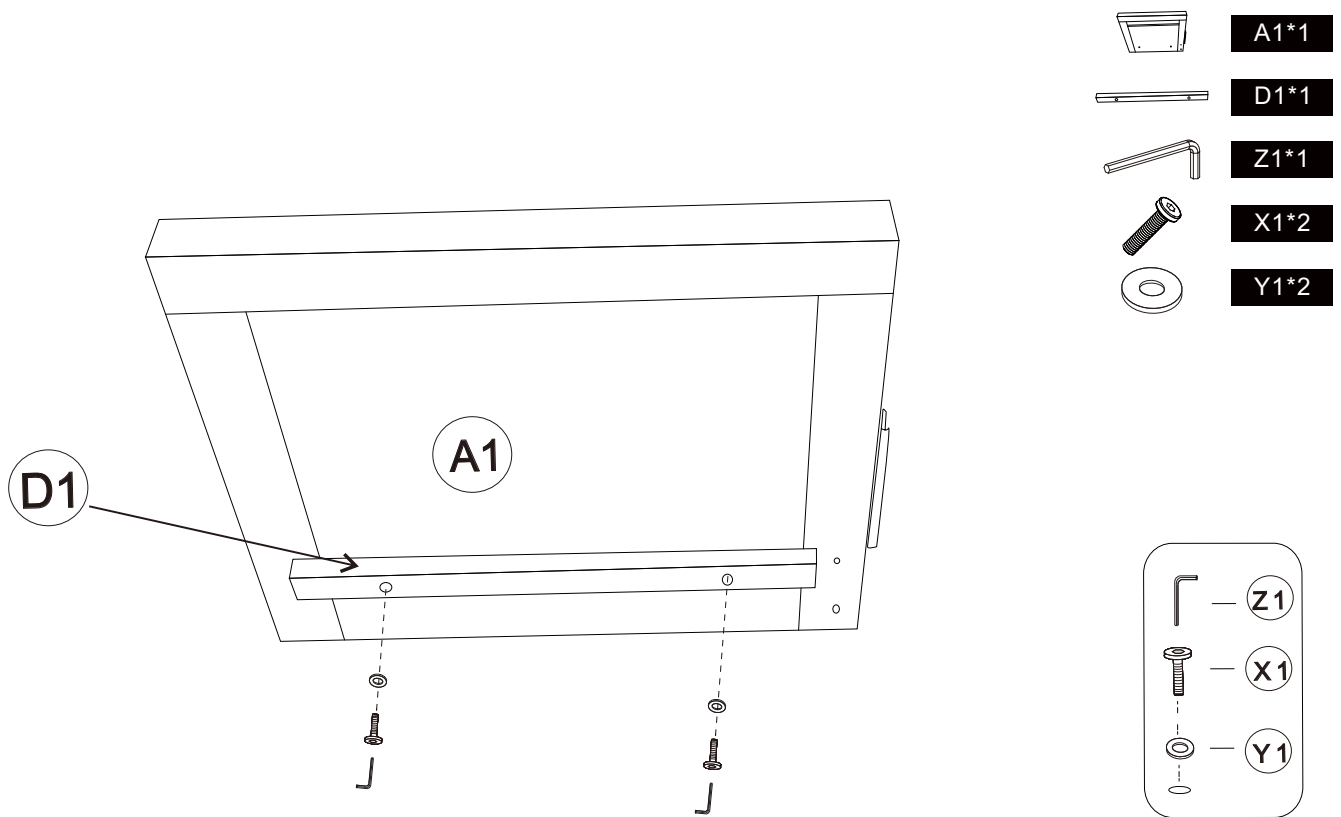
S2*22



M5

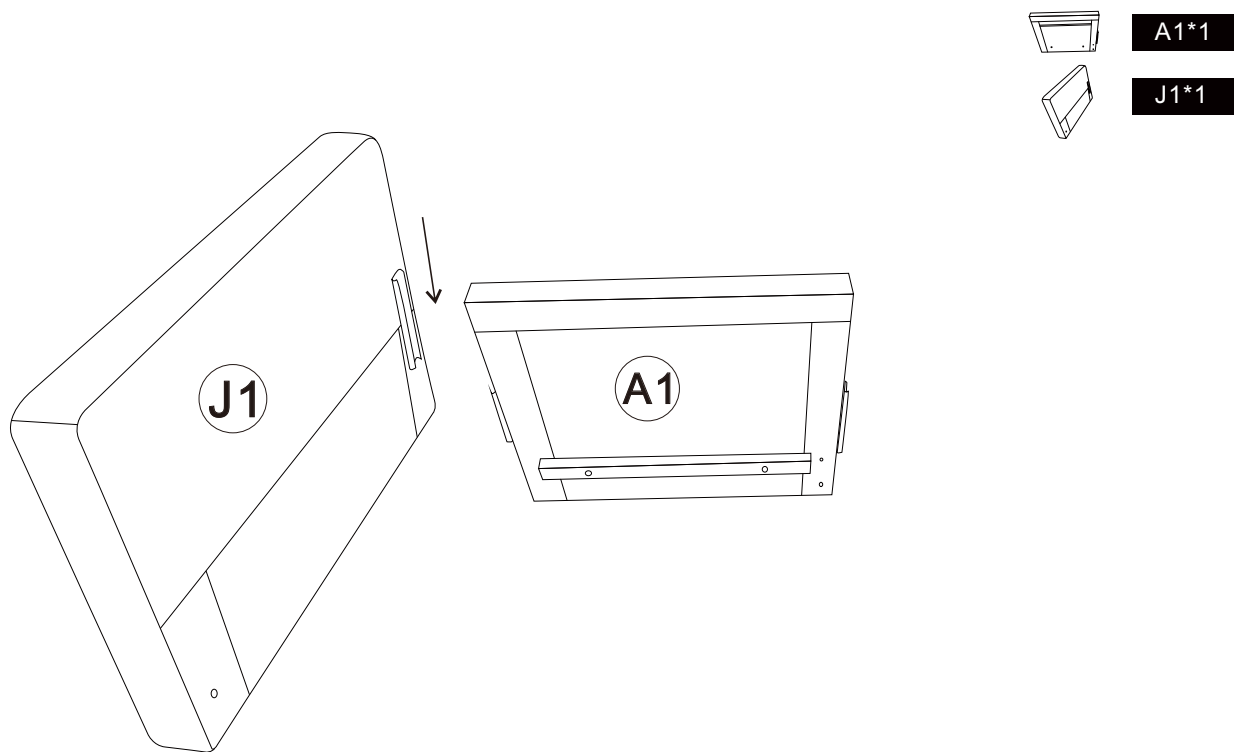
T2*1

Installation Steps



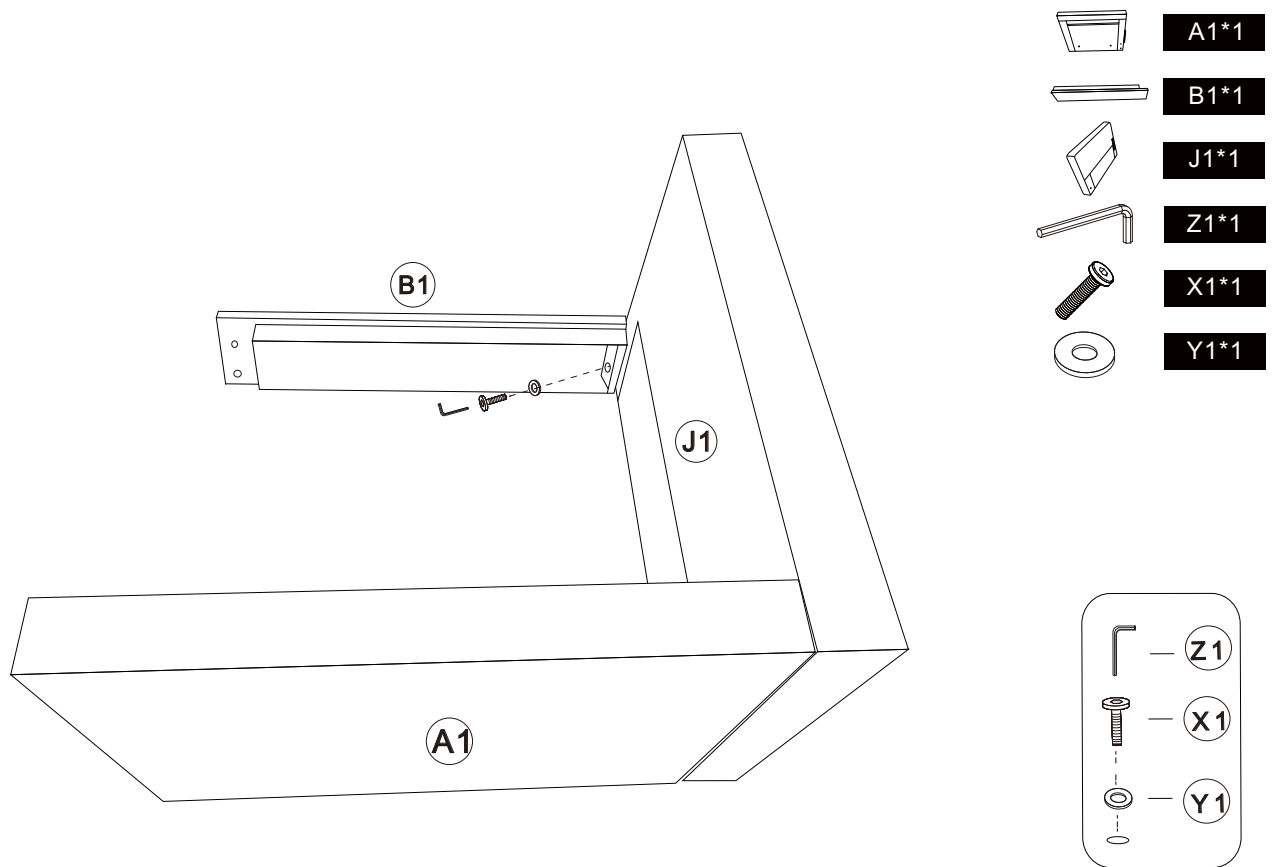
STEP 1

Assemble (A1) and (D1) with screws at the corresponding empty positions shown, noting that the hook-and-loop (magic tape) surface of (D1) faces upward.



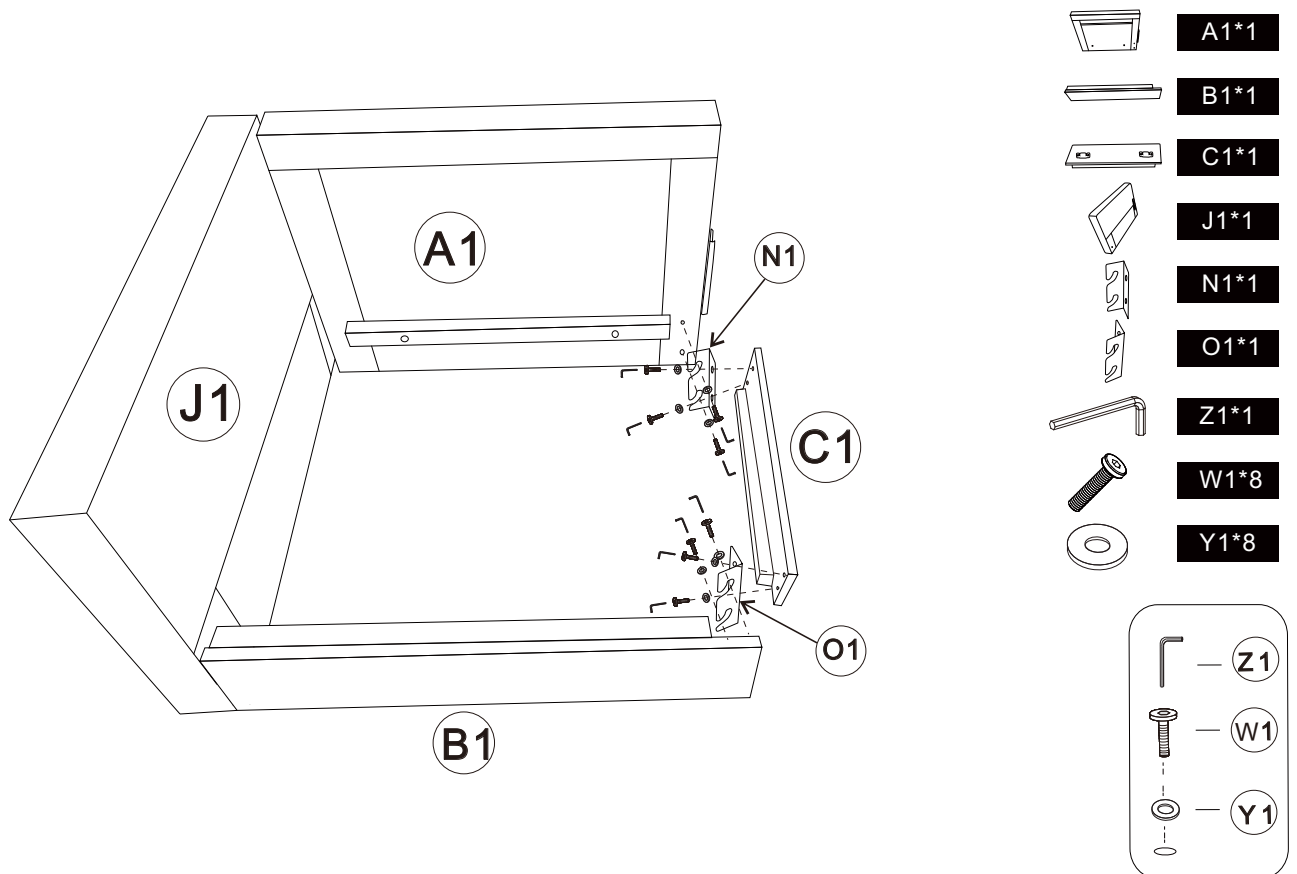
STEP 2

Assemble (A1) and (J1) together, with (J1) linking from top to bottom into the plug-in connector on (A1), shown in the figure.



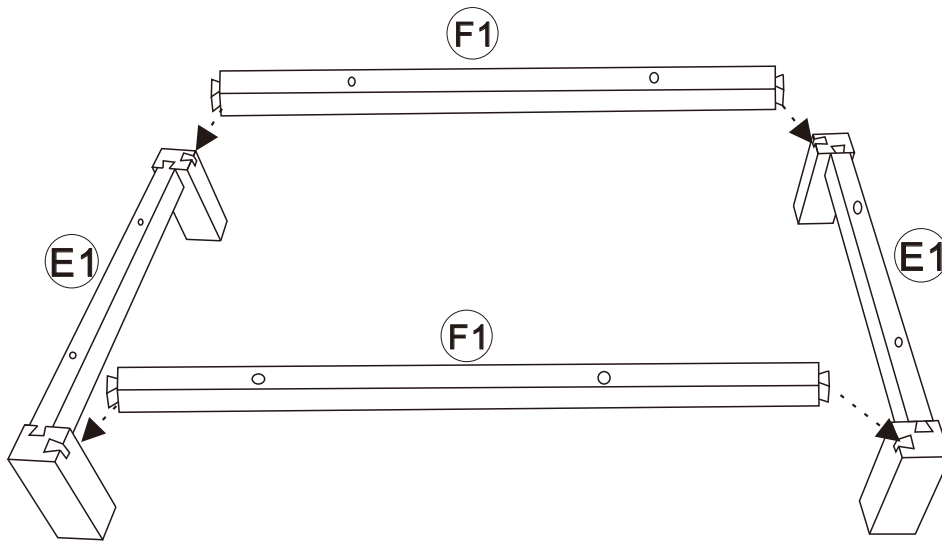
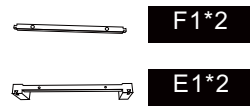
STEP 3

Install (B1) onto (J1) and secure with screws, noting that the side of (B1) with hook-and-loop (magic tape) faces upward, shown in the figure.



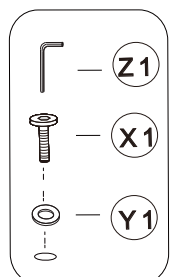
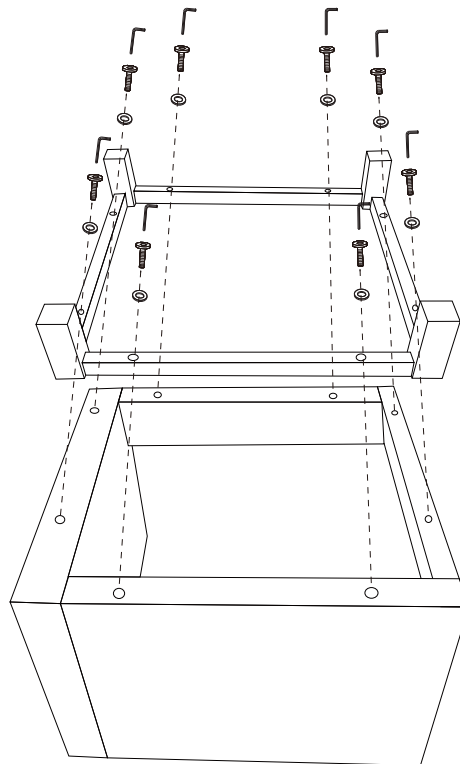
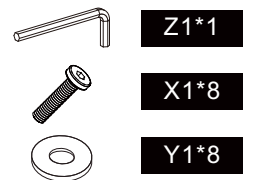
STEP 4

Fix (C1) between (A1) and (B1) using (N1) and (O1), shown in the figure.



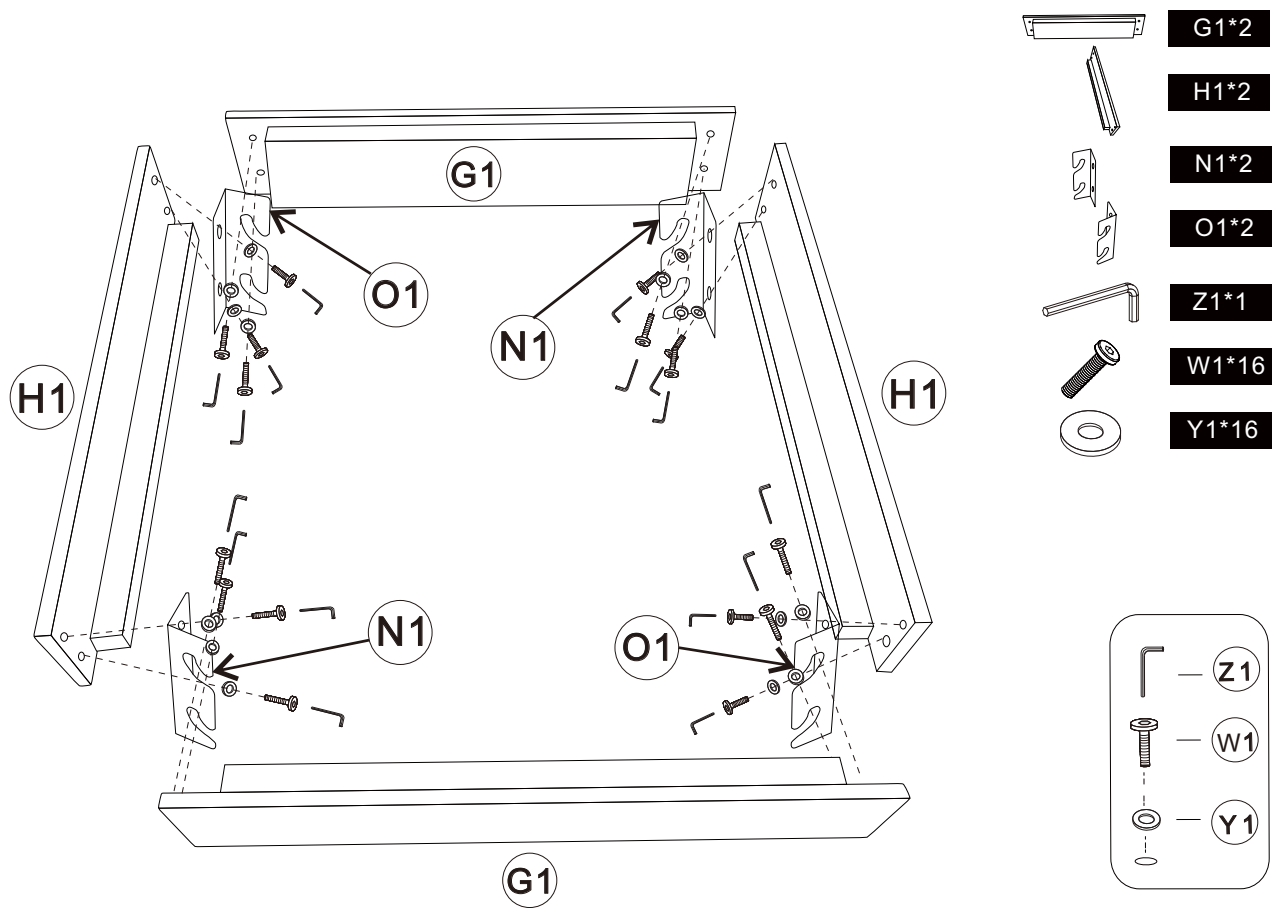
Connect (F1) to the groove of (E1), noting that the small hole on (F1) faces upward, shown in the figure.

STEP 5



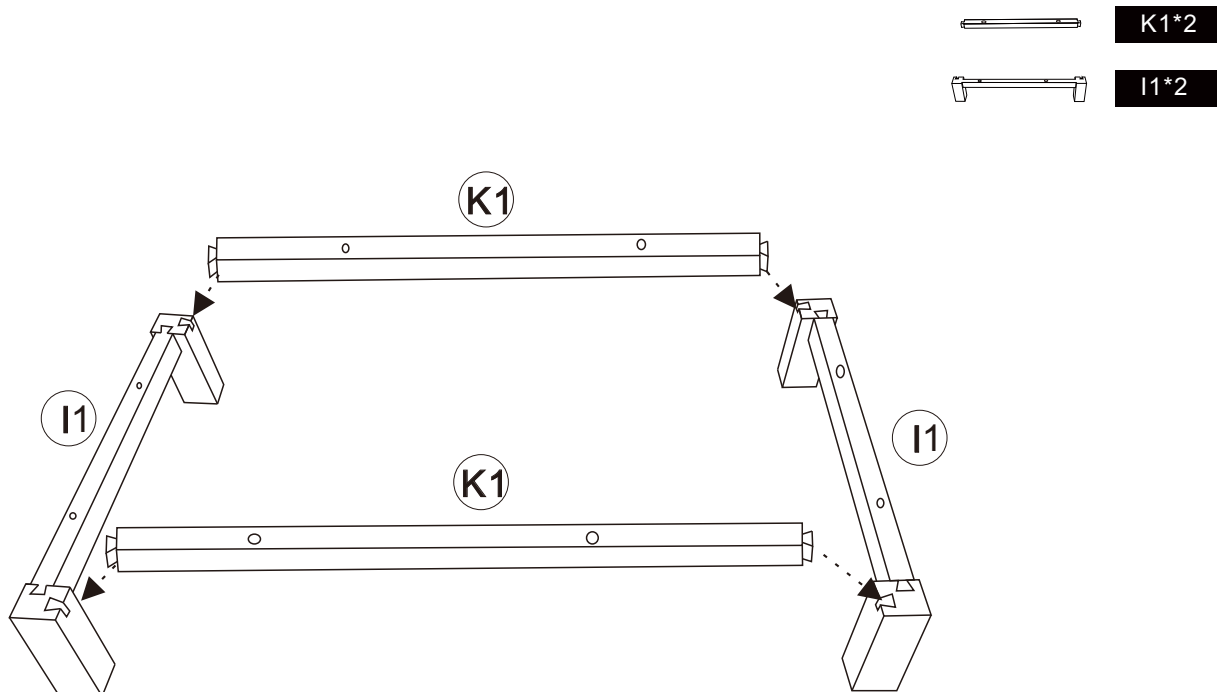
Turn the assembled sofa main body upside down, and install the accessory assembled in Step 5 onto the sofa main body.

STEP 6



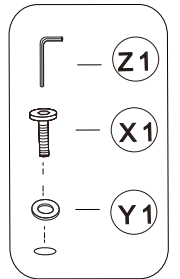
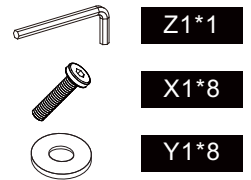
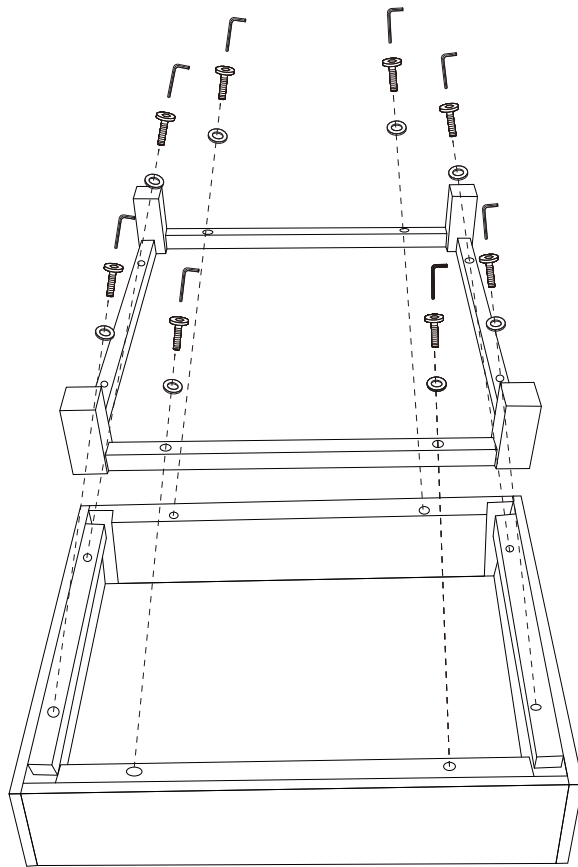
STEP 7

Connect and assemble (G1) and (H1) using (N1) and (O1), shown in the figure.



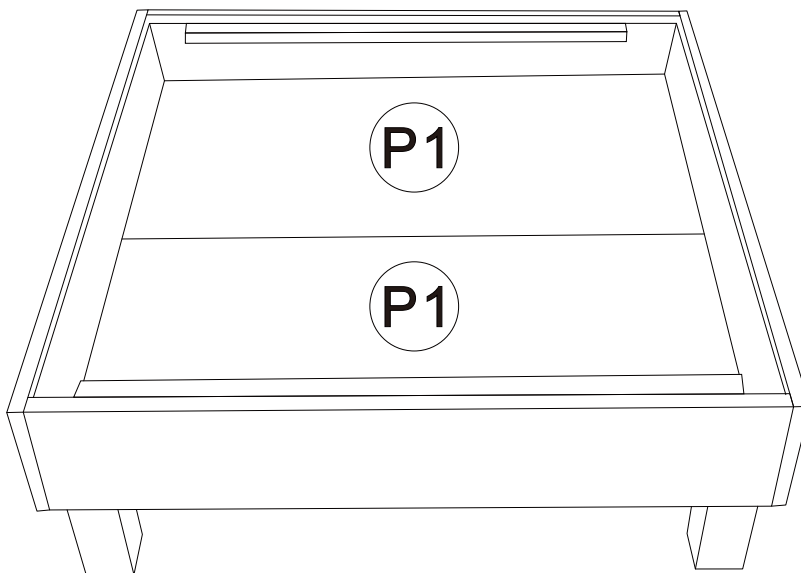
STEP 8

Connect (K1) to the groove of (I1), noting that the small hole on (K1) faces upward, shown in the figure.



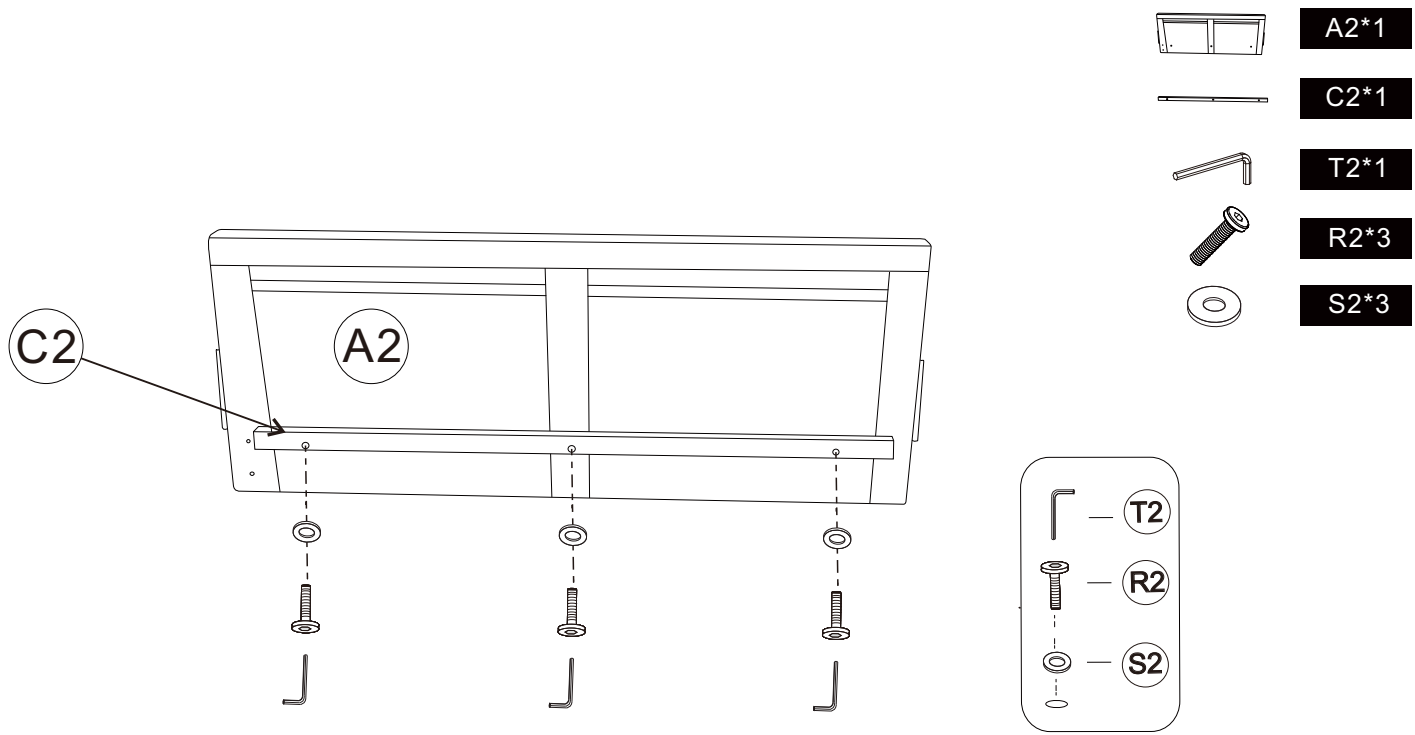
STEP 9

Turn the sofa main body assembled in Step 7 upside down, and install the accessory assembled in Step 8 onto the sofa main body.



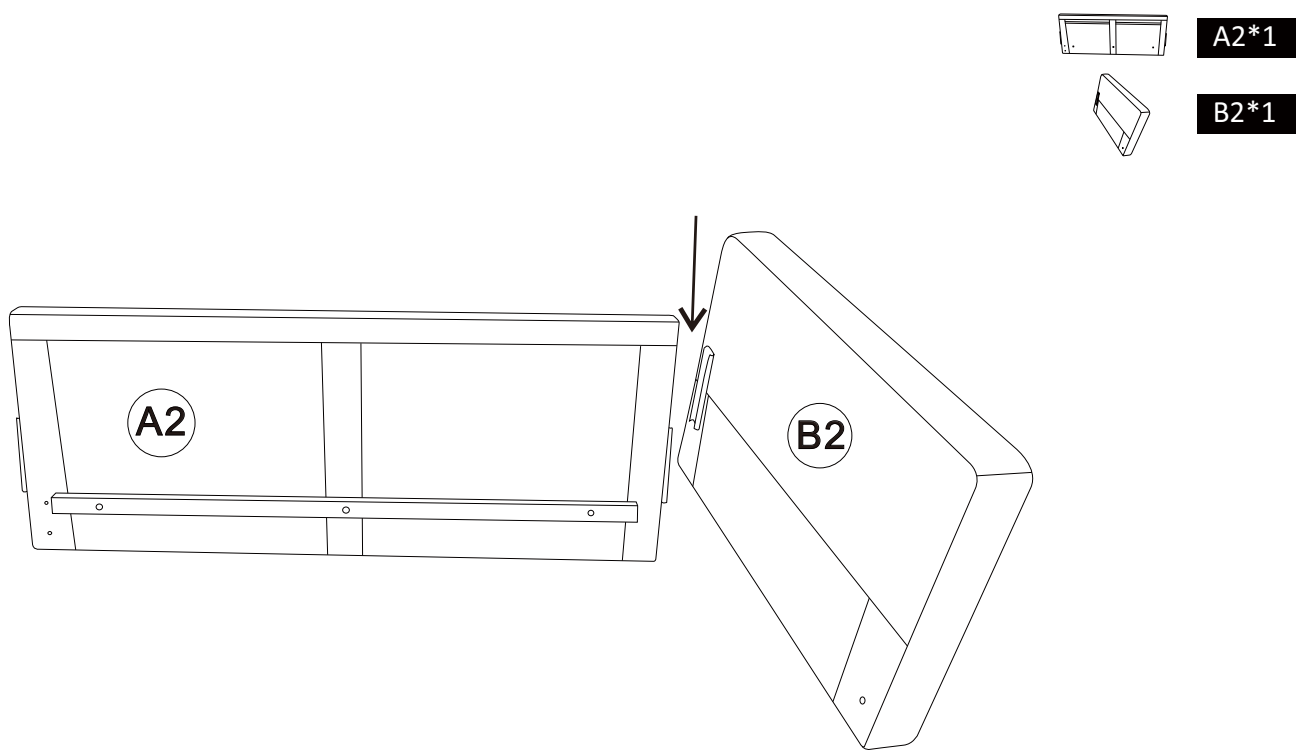
STEP 10

Place (P1) into the footrest main body assembled in Step 9, noting that the fabric surface faces upward, shown in the figure.



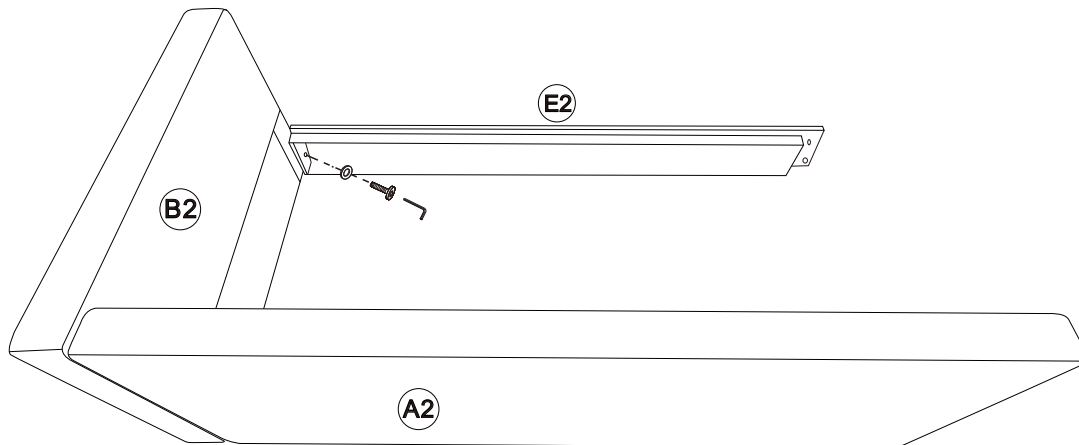
STEP 11


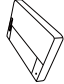




Assemble (A2) and (C2) with screws at the corresponding empty positions shown, noting that the hook-and-loop (magic tape) surface of (C2) faces upward.

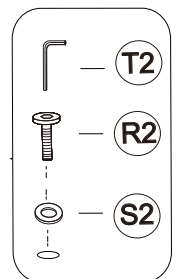


STEP 12

Assemble (A2) and (B2) together, with (B2) linking from top to bottom into the plug-in connector on (A2), shown in the figure.

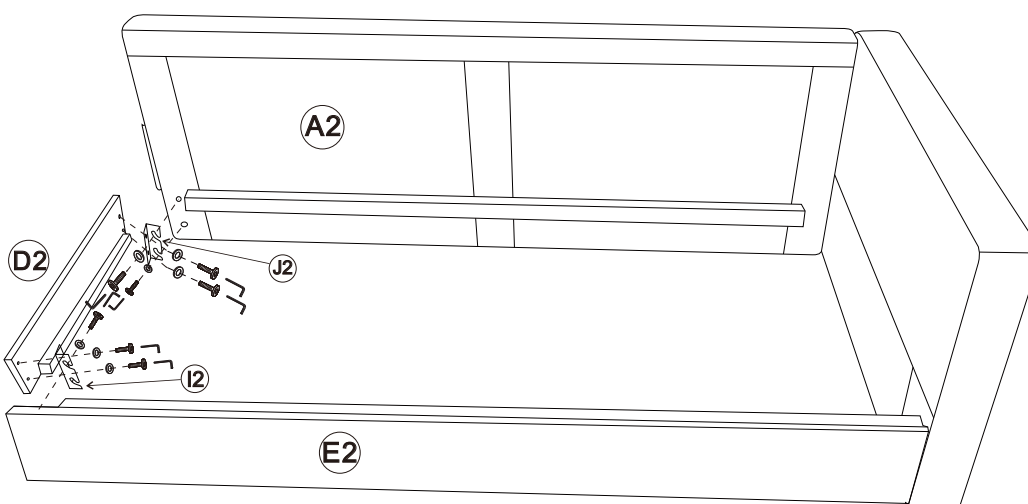


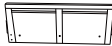







-  A2*1
-  B2*1
-  E2*1
-  T2*1
-  R2*1
-  S2*1

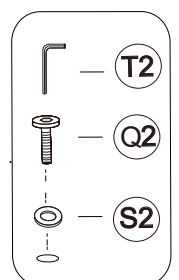


STEP 13

Install (E2) onto (B2) and secure with screws, noting that the side of (E2) with hook-and-loop (magic tape) faces upward, shown in the figure.

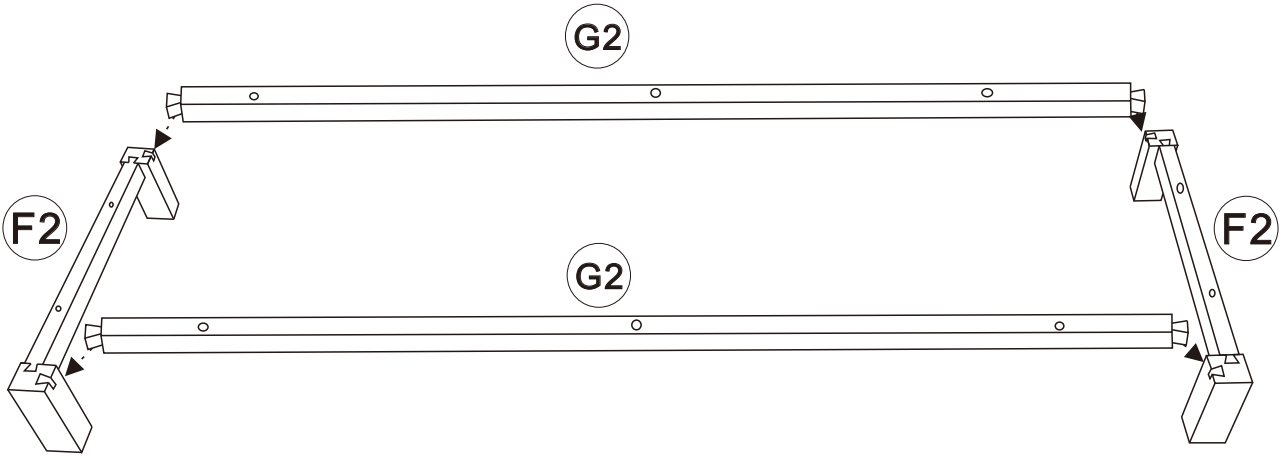
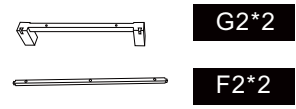


-  A2*1
-  D2*1
-  E2*1
-  J2*1
-  I2*1
-  T2*1
-  Q2*8
-  S2*8



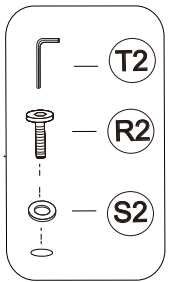
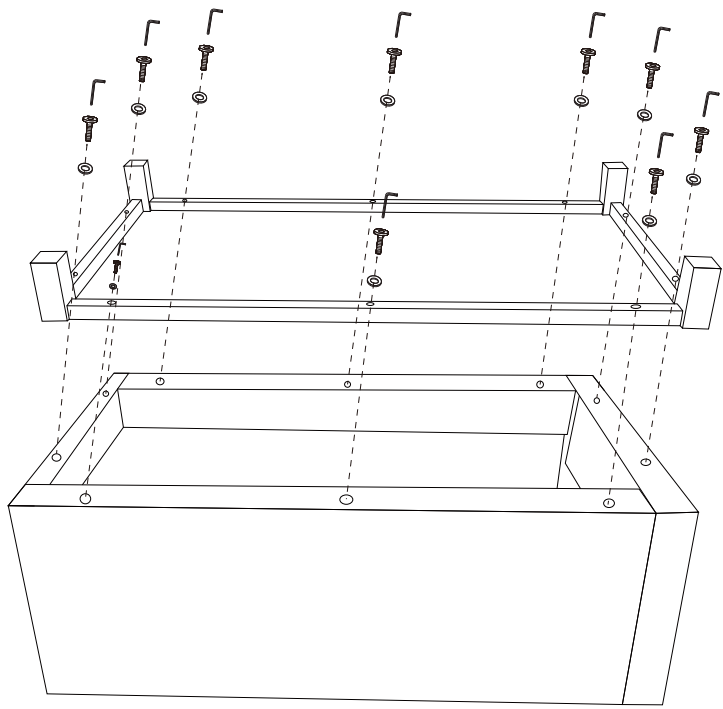
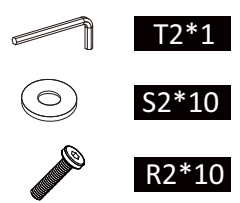
STEP 14

Fix (D2) between (A2) and (E2) using (I2) and (J2), shown in the figure.



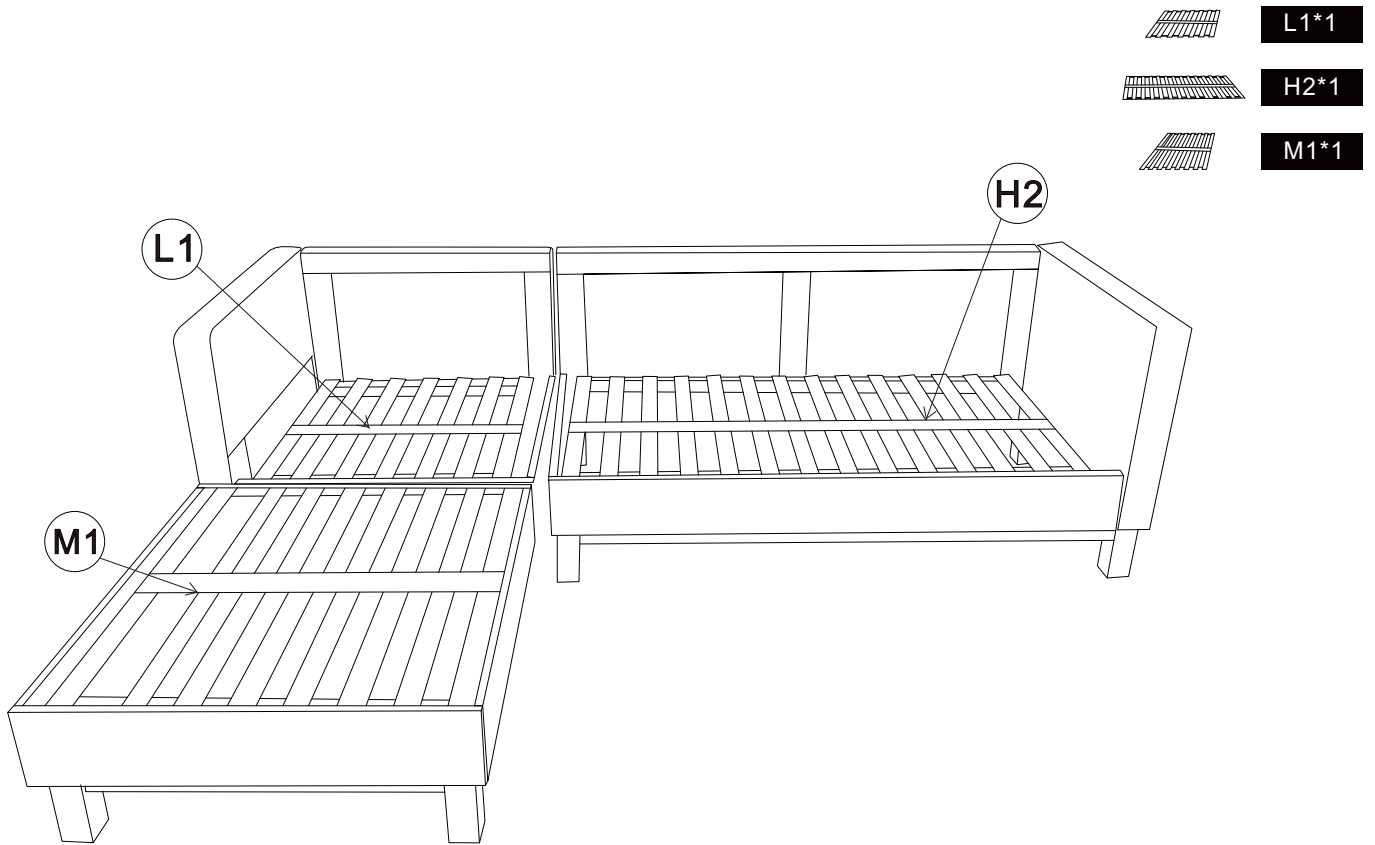
STEP 15

Connect (F2) to the groove of (G2), noting that the small hole on (E2) faces upward, shown in the figure.



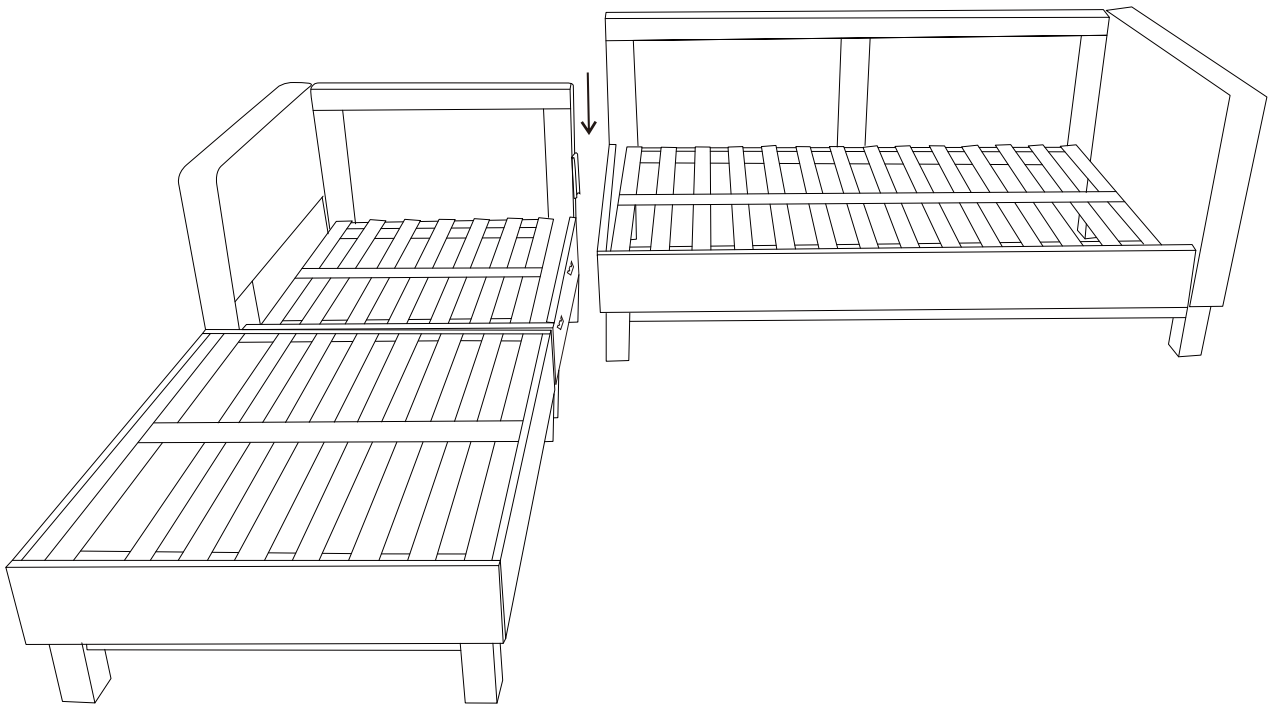
STEP 16

Turn the assembled sofa main body upside down, and install the accessory assembled in Step 15 onto the sofa main body, shown in the figure.



Install (H2), (L1), and (M1) onto the sofa main body, and firmly attach the hook-and-loop (magic tape) strips, with the one in the middle facing upward, shown in the figure.

STEP 17



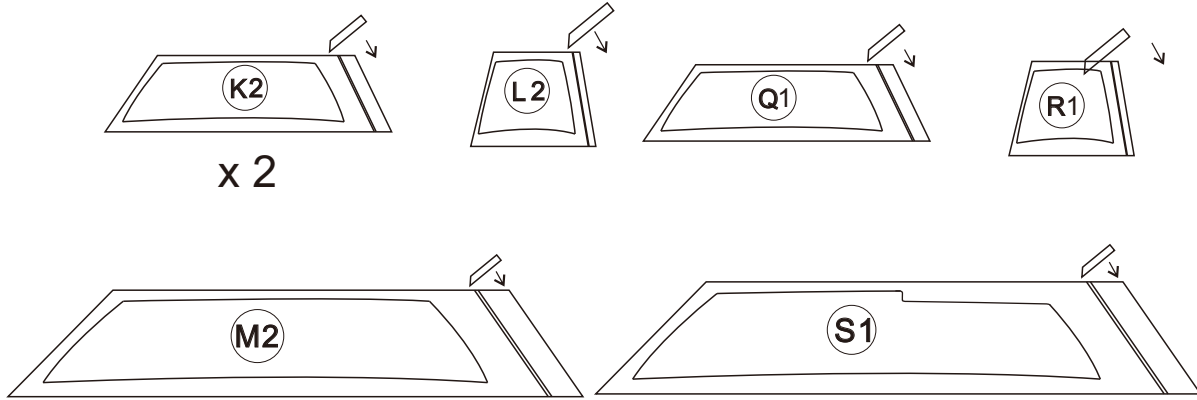
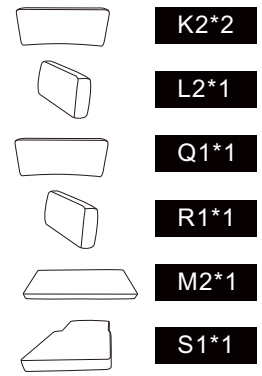
Connect the two-seater and one-seater sections together; link the two-seater section from top to bottom into the plug-in connector on the one-seater section, shown in the figure.

STEP 18

-Cushion Fluffing Instructions

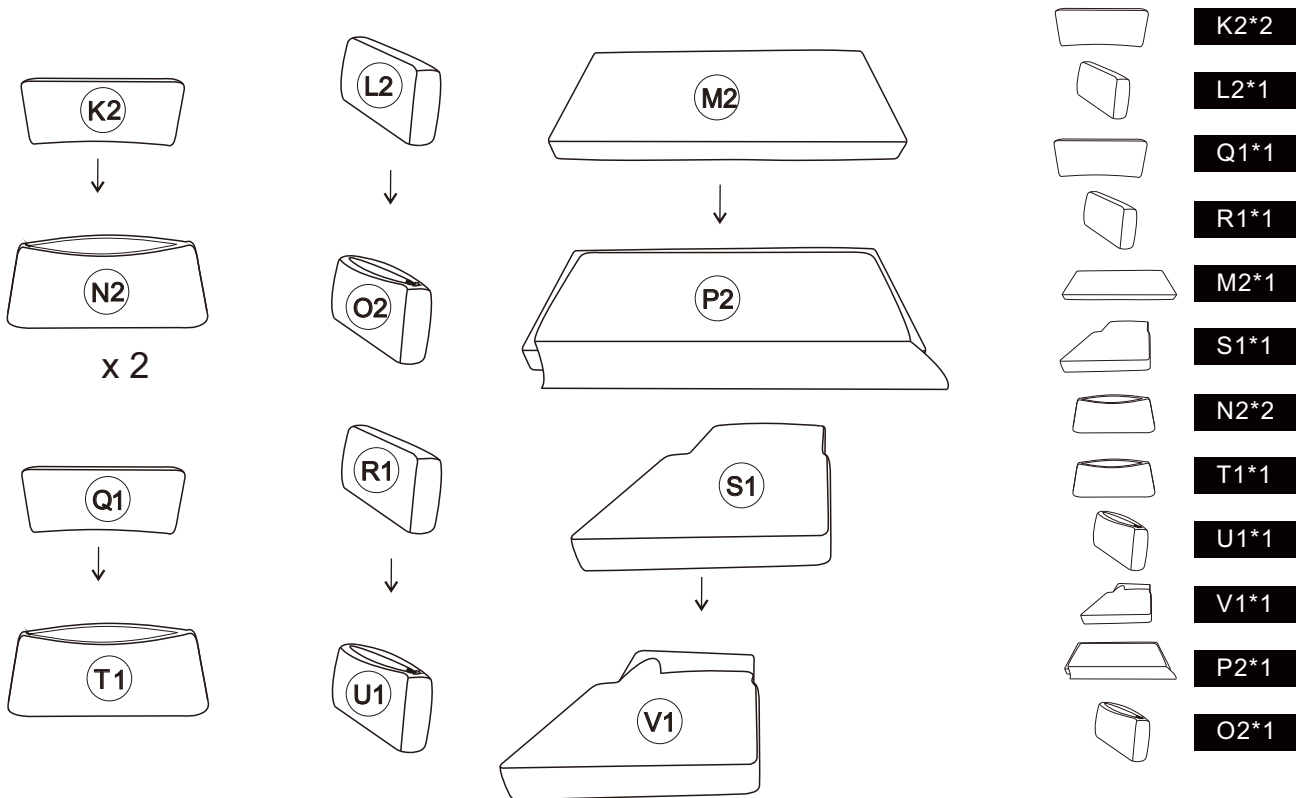
1. Upon receiving the package, take out the compressed cushions.
2. Gently pat and knead the cushions repeatedly.
3. Allow the internal sponge to fully expand for 48-72 hours until it regains a plump, fluffy shape before use.

Note: The expansion time may vary slightly depending on temperature and humidity.



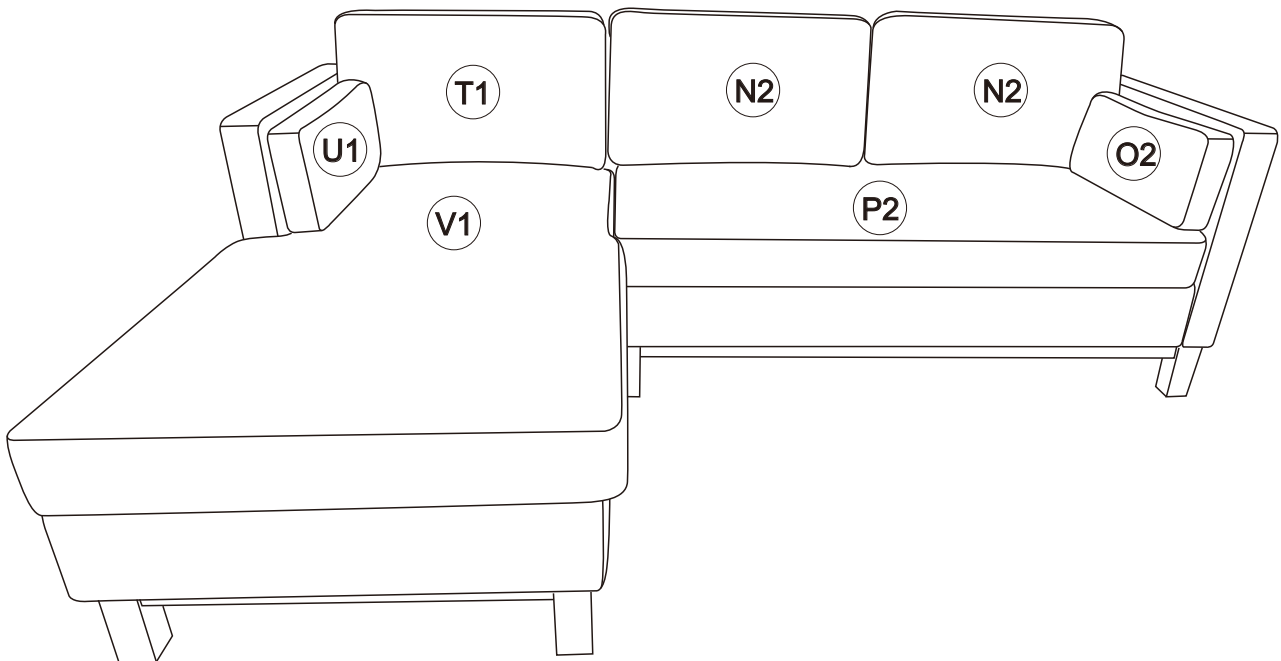
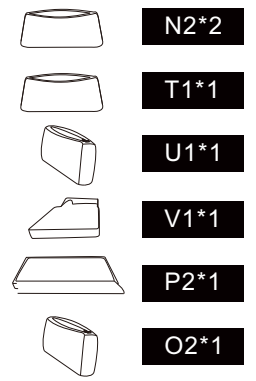
Take out (Q1), (R1), (S1), (K2), (L2), and (M2) from the compression bag, shown in the figure.

STEP 19



STEP 20

Insert the corresponding parts into the sofa cover shown in the figure.



STEP 21

Place into the corresponding positions shown in the figure to complete the assembly.

Frequently Asked Questions

We understand that receiving damaged or defective products can be disappointing, and we're here to assist you every step of the way. Here's how to address common concerns and initiate a damage claim:

1.What should I do if my shipment is damaged or products received are defective?

We're genuinely sorry to hear about any inconvenience caused. Please reach out to us promptly, and our team will prioritize resolving the matter swiftly and effectively. To file a damage claim, follow these steps:

- A. Retain the original box in case a return is required.
- B. Take photos of the damaged box, the damaged part of the item, tracking number, and return label on the box to help us process a replacement or refund.

2.Can I return the product if I'm not satisfied?

While we uphold stringent quality standards and collaborate with experienced manufacturers, we acknowledge that dissatisfaction may arise. If you're still unsatisfied, you can initiate a return within 30 days of receiving the product. Simply message us with your reasons for return, and we'll facilitate the process.

