



see what Delta can do™

# HAND SHOWER W/SLIDE BAR

## ■ 3-Spray Setting Hand Shower

### FEATURES:

- Touch-Clean® Spray Holes
- Lumicoat® Finish (-PR models only)
- Lumicoat® Finishes easily wipe clean without cleaners and chemicals on the products most commonly touched areas

### STANDARD SPECIFICATIONS:

- Max. flow rate 1.75 gpm @ 80 psi, 6.6 L/min @ 550 kPa
- Certified dual check valves for backflow protection
- Hand held shower with three spray settings, pause is a non-positive shut-off.
- 60"-82" (1524 mm - 2083 mm) stretchable metal hose
- Wall bar for hands-free showering
- Wall bar w/adjustable slide (allows for adjustable shower height). Not to be used as a grab bar
- Lumicoat® is not applied to the slide bar or shower hose
- 3 Spray patterns: Full Body spray, Soft Waterfall spray, and Pause

### WARRANTY:

- Parts and Finish – Lifetime limited warranty; or for commercial purchasers, 10 years for multi-family residential (apartments and condominiums) and 5 years for all other commercial uses, in each case from the date the product is received by the original purchaser or their authorized representative (installation contractor, etc.).
- Please go to [www.deltafaucet.com](http://www.deltafaucet.com) for the complete details of our limited warranty.

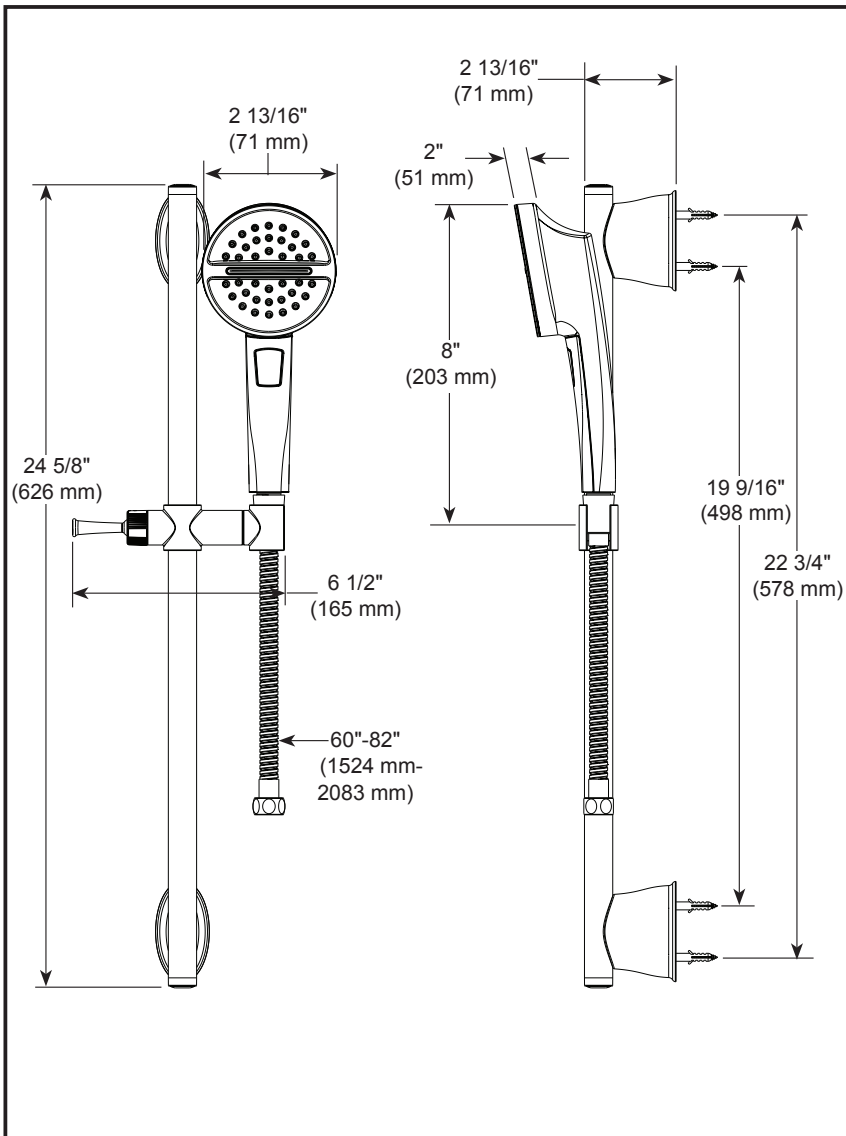
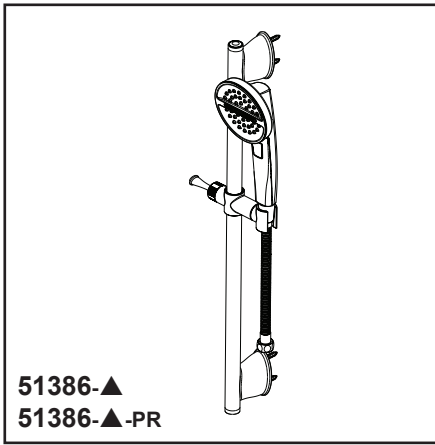


### COMPLIES WITH:

- ASME A112.18.1 / CSA B125.1♦
- EPA WaterSense®

♿ ICC/ANSI A117.1

- ♦ Your Delta hand shower incorporates a backflow protection system that has been tested to be in compliance with ASME A112.18.3 and ASME A112.18.1/CSA B125.1. It incorporates two certified check valves in series, which operate independently and are integral, non-serviceable parts of the wand assembly.



▲ Designate proper finish suffix

Delta Faucet Company reserves the right (1) to make changes in specifications and materials, and (2) to change or discontinue models, both without notice or obligation. Dimensions are for reference only. See current full-line price book or [www.deltafaucet.com](http://www.deltafaucet.com) for finish options and product availability.

DSP-B-51386 Rev. C

### Delta Faucet Company

55 E. 111th Street, Carmel, IN 46280  
350 South Edgware Road, St. Thomas, ON N5P 4L1  
© 2025 Delta Faucet Company