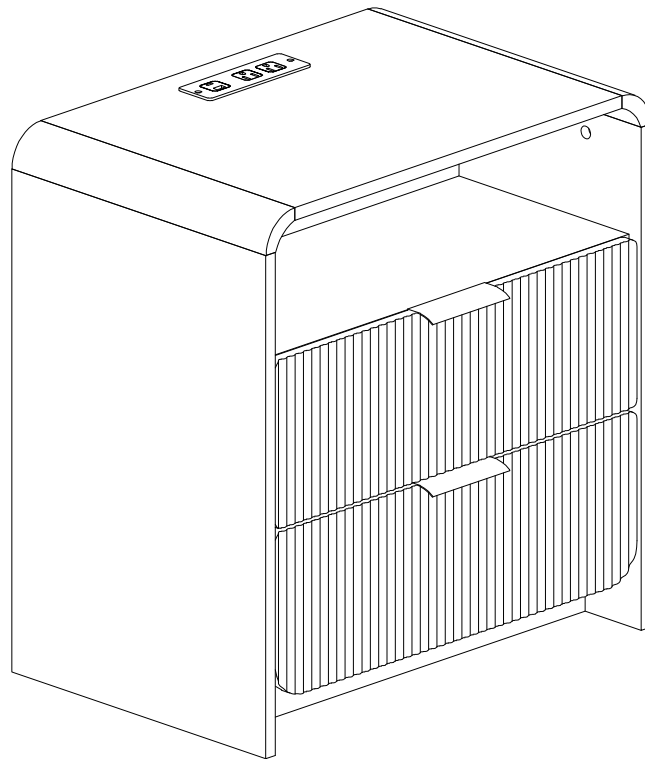


# Assembly Guide

Keep manual for future reference.



Have an assembly question or need a replacement part?  
Please contact us.

# Inform

## Assembly Instructions

Before beginning the assembly process, please read and save these instructions for reference. Following these guidelines will ensure a smooth and successful assembly of your product secure the components without excessive tightening.

### **1.Part Identification:**

Carefully separate and identify all the parts included in your package. Confirm that you have all the components listed in the instruction manual. This step will help you avoid any missing or misplaced parts during assembly.

### **2.Work Surface:**

To prevent any scratches or damage to the product, assemble it on a soft mat or a similar protective surface. This will provide a cushioned area for the components and protect the surfaces from unwanted marks.

### **3.Step-by-Step Assembly:**

Follow the assembly instructions provided, proceeding one step at a time. Take care to understand each step properly before proceeding to the next one. This sequential approach ensures that the assembly is done correctly and minimizes the chance of errors.

### **4.Proper Screw Seating:**

all screws are correctly seated. By partially tightening each screw and nut initially, you can ensure that they are aligned properly and fit securely before final tightening.

### **5.Avoid Over-Tightening:**

While each screw and nut should be tightened correctly, it is crucial not to over-tighten them. Over-tightening can cause damage to the product or compromise its structural integrity. Use the appropriate amount of force to secure the components without excessive tightening.

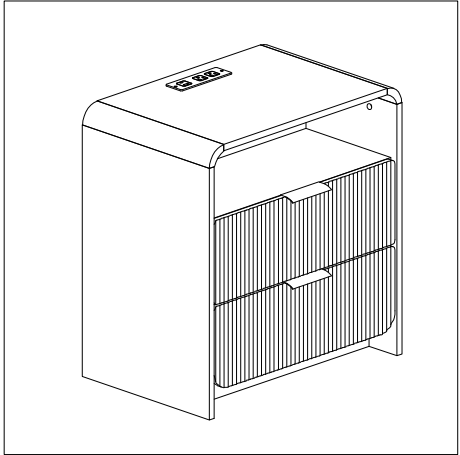
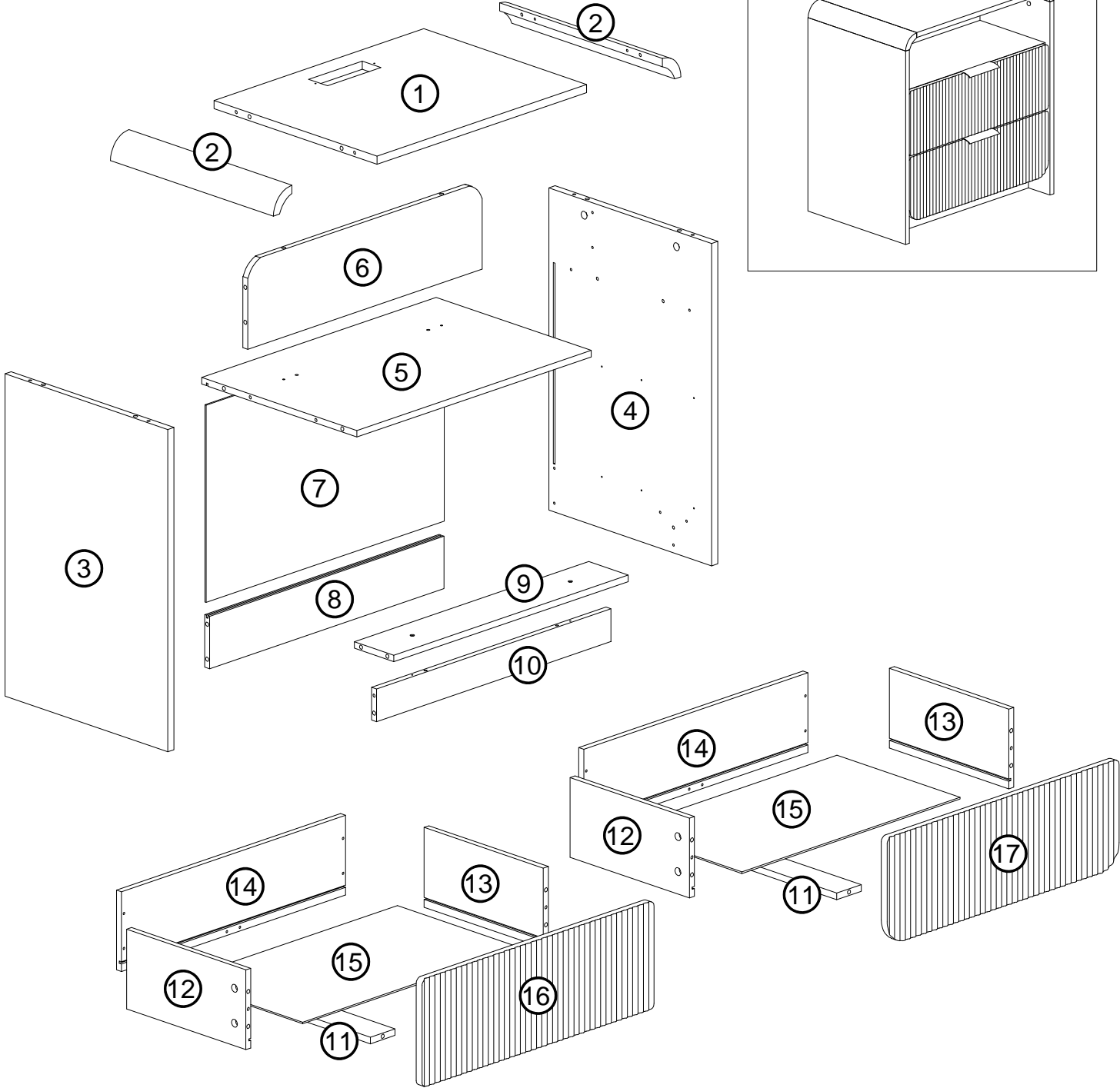
---

## Customer help center:

If you encounter any questions or problems during the assembly process, please do not hesitate to contact us.

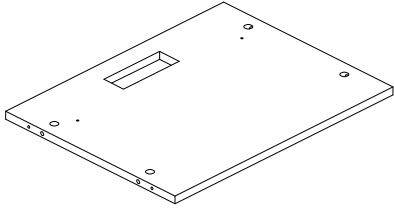
We strive to provide excellent customer support and will respond to your inquiries within 24 hours. Our team will offer you a suitable solution to address any concerns you may have.

# Get to know your Boards



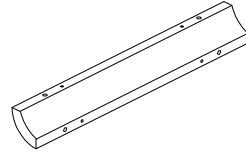
# Parts List

①



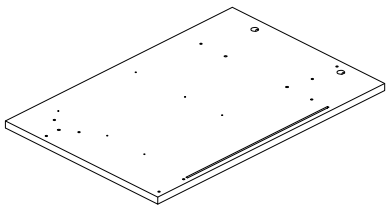
[1]

②



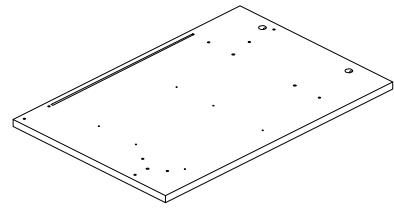
[2]

③



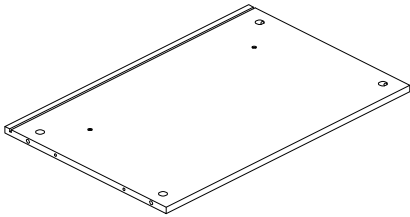
[1]

④



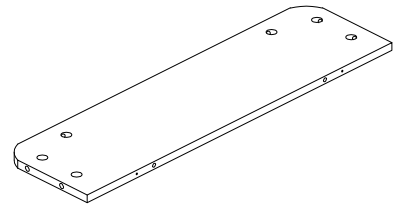
[1]

⑤



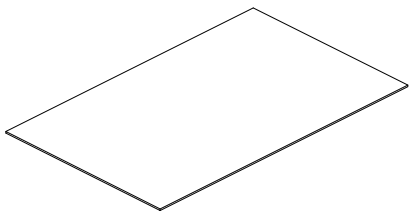
[1]

⑥



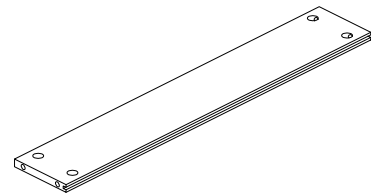
[1]

⑦



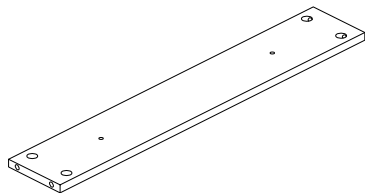
[1]

⑧



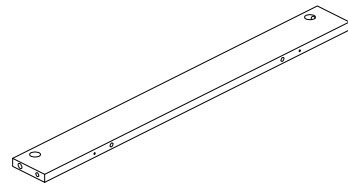
[1]

⑨



[1]

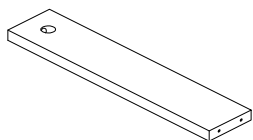
⑩



[1]

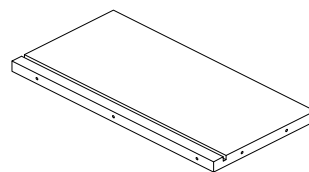
# Parts List

11



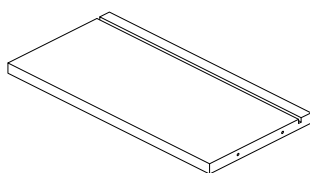
[2]

12



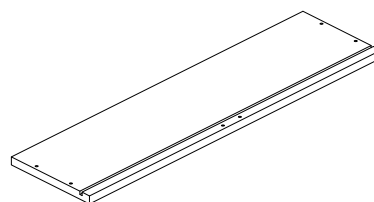
[2]

13



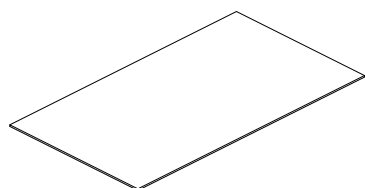
[2]

14



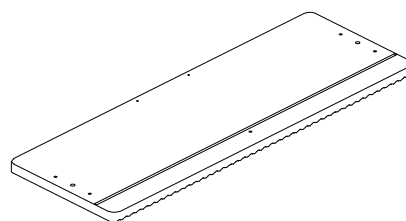
[2]

15



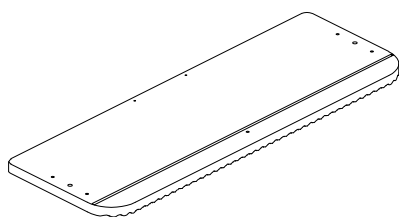
[2]

16



[1]

17

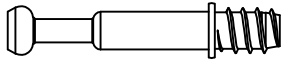


[1]

# Fasteners

Fasteners are shown actual size 1:1

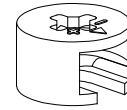
(A)



[ 38 ]

KD Bolt  
M6x35mm

(B)



[ 38 ]

KD Cam  
Ø15x9.5mm

(C)



[ 22 ]

Wood Dowel  
6 x 30mm

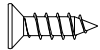
(D)



[ 16 ]

ST4x35mm

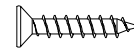
(E)



[ 30 ]

ST3.5x12mm

(F)

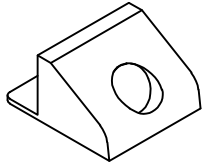


[ 8 ]

ST3.0x16mm

# Get to know your Hardware

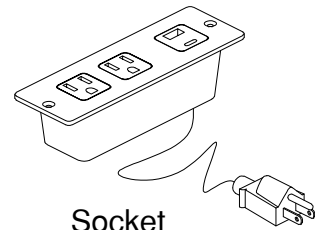
(G)



[ 8 ]

Back Clip

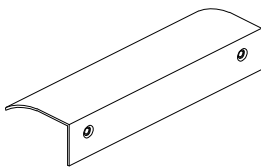
(H)



[ 1 ]

Socket

(I)



[ 2 ]

Handle

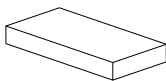
(J)



[ 8 ]

Cover

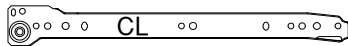
(K)



[ 4 ]

EVA Pads

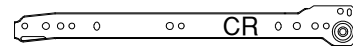
(CL)



[ 2 ]

300mm Drawer

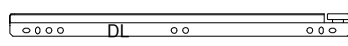
(CR)



[ 2 ]

300mm Drawer

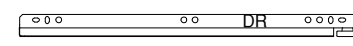
(DL)



[ 2 ]

300mm Bottom exposy slide

(DR)

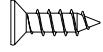


[ 2 ]

300mm Bottom exposy slide

# STEP 1

ⓔ



[ 6 ]

ST3.5x12mm

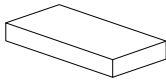
ⓐ



[ 2 ]

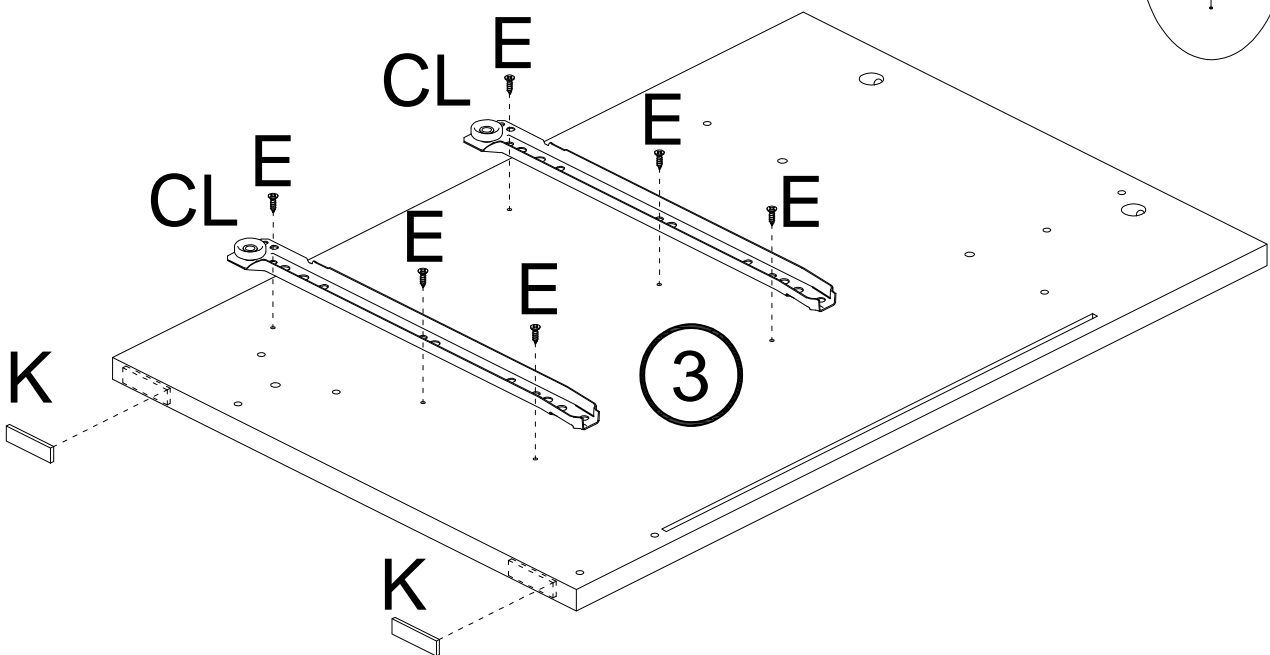
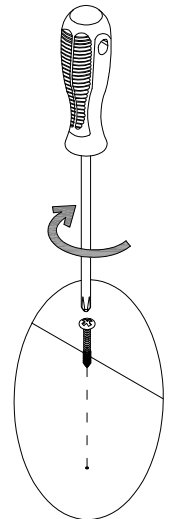
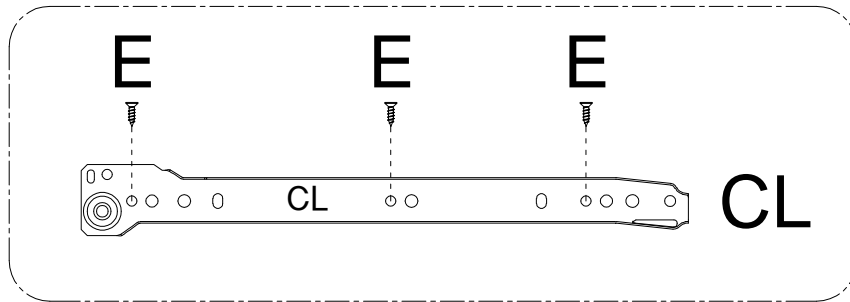
300mm Drawer

Ⓚ



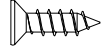
[ 2 ]

EVA Pads



# STEP 2

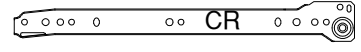
(E)



[6]

ST3.5x12mm

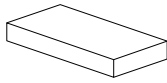
(CR)



[2]

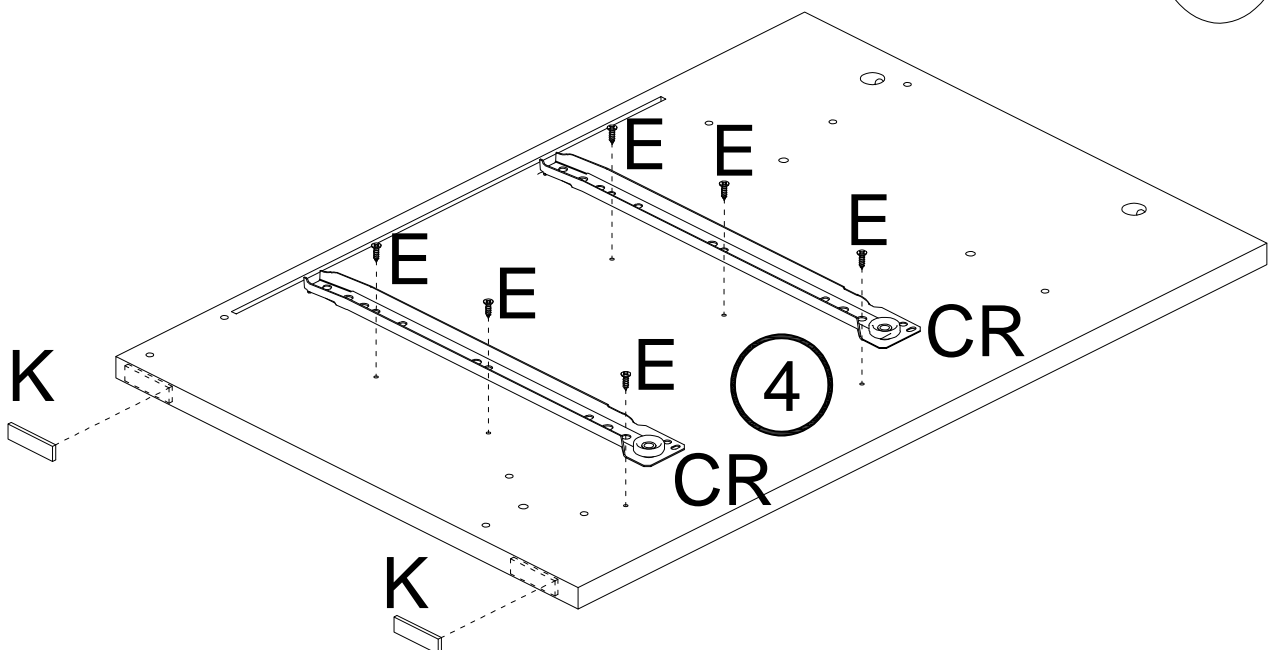
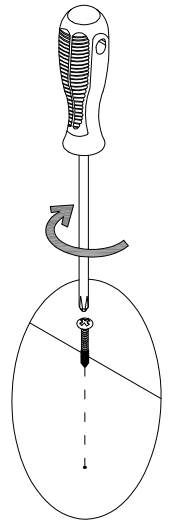
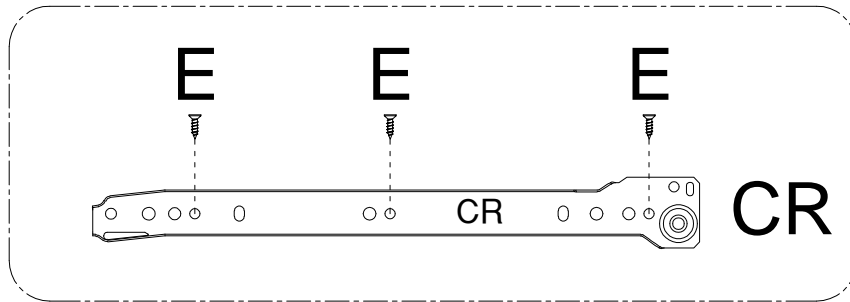
300mm Drawer

(K)



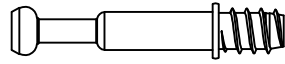
[2]

EVA Pads



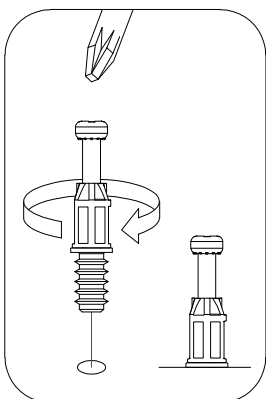
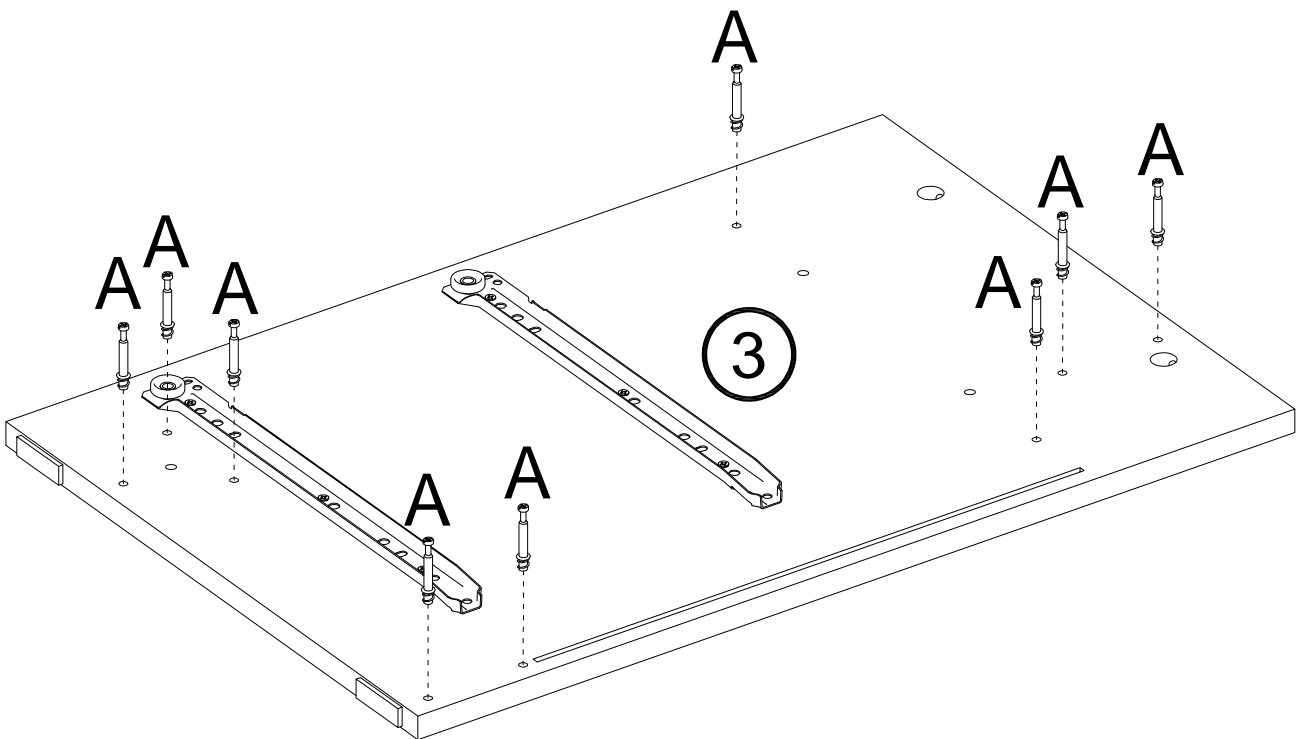
# STEP 3

(A)



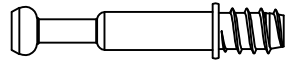
[ 9 ]

KD Bolt  
M6x35mm



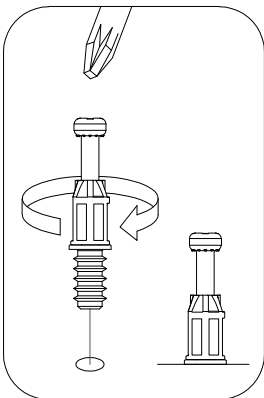
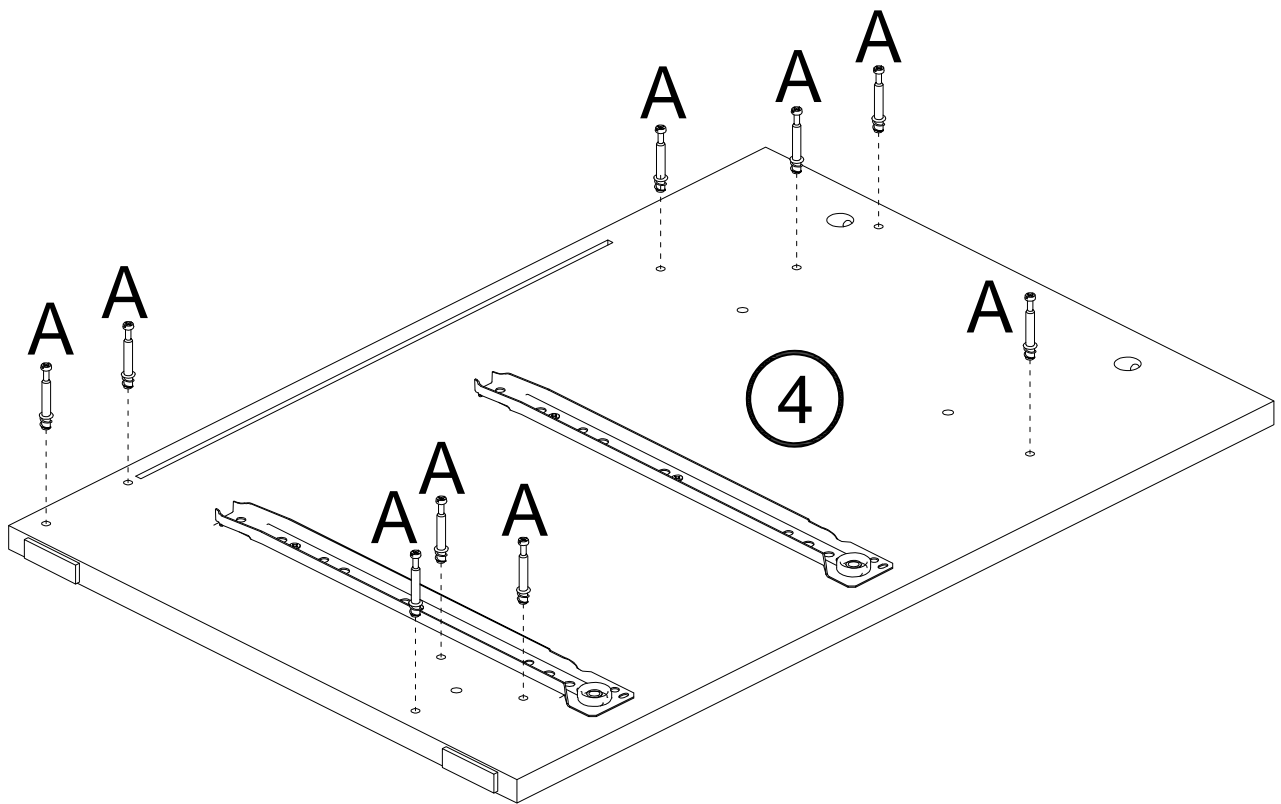
# STEP 4

(A)



[ 9 ]

KD Bolt  
M6x35mm



# STEP 5

Ⓒ



[ 2 ]

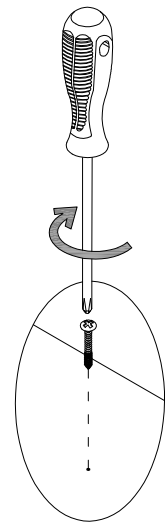
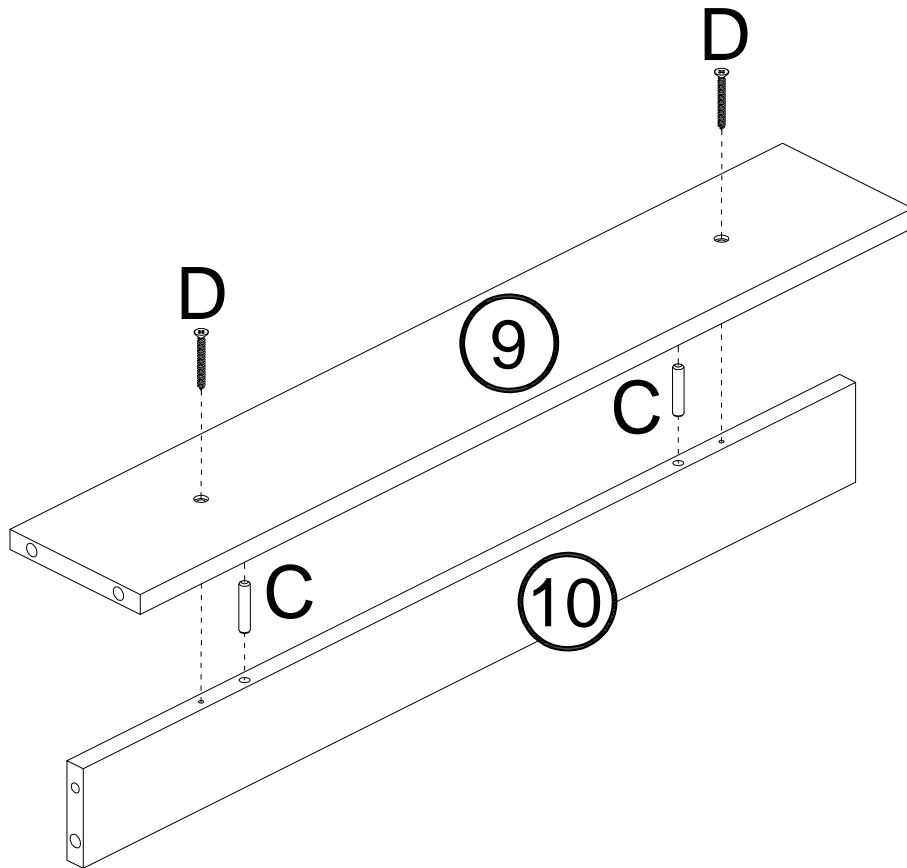
Wood Dowel  
6 x 30mm

Ⓓ



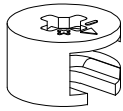
[ 2 ]

ST4x35mm



# STEP 6

**B**



[ 5 ]

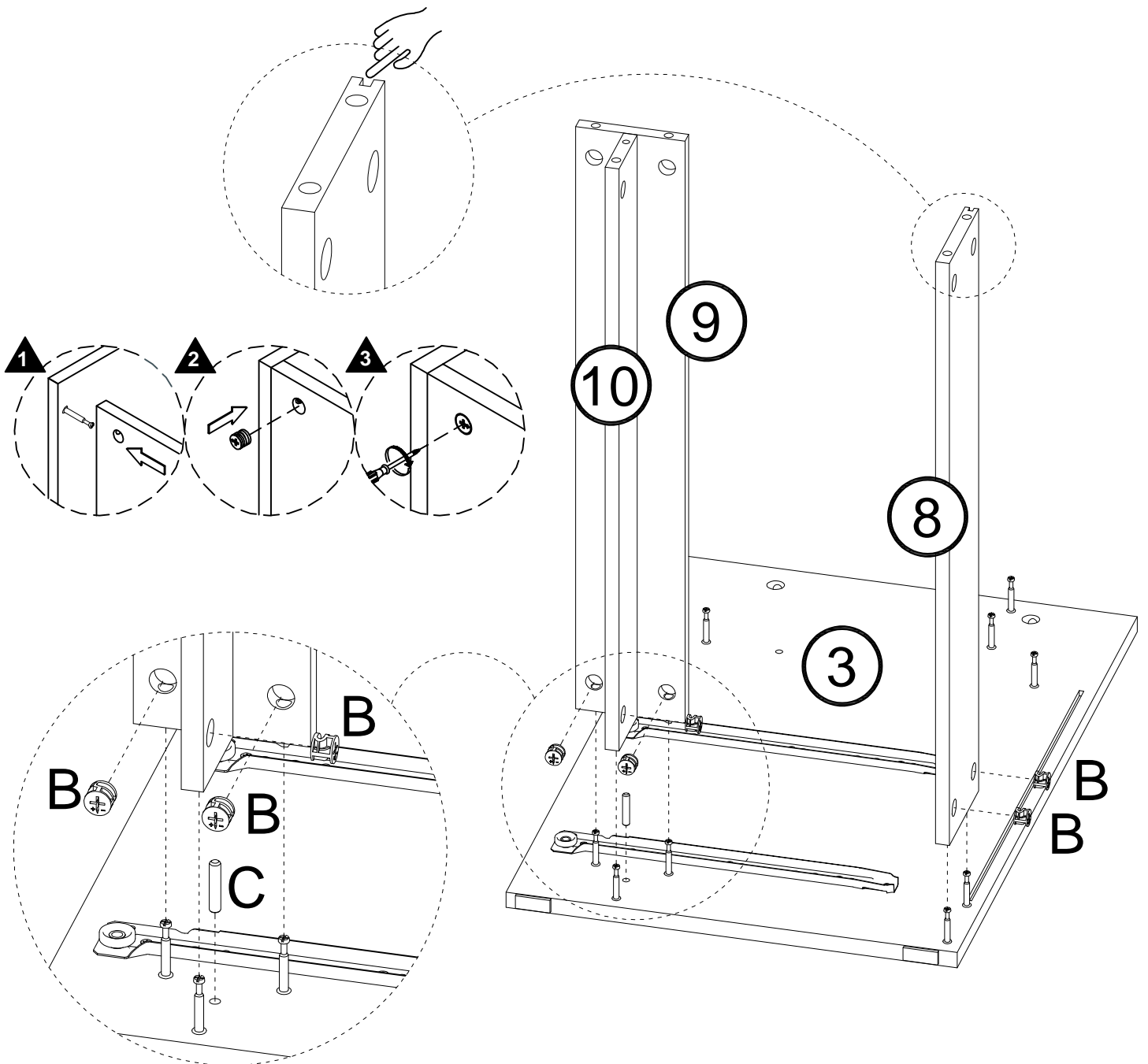
KD Cam  
Ø15x9.5mm

**C**



[ 1 ]

Wood Dowel  
6 x 30mm



# STEP 7

Ⓒ



[ 2 ]

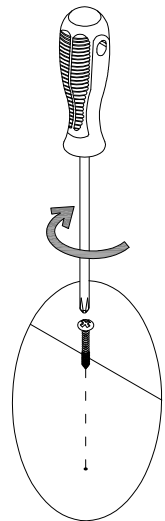
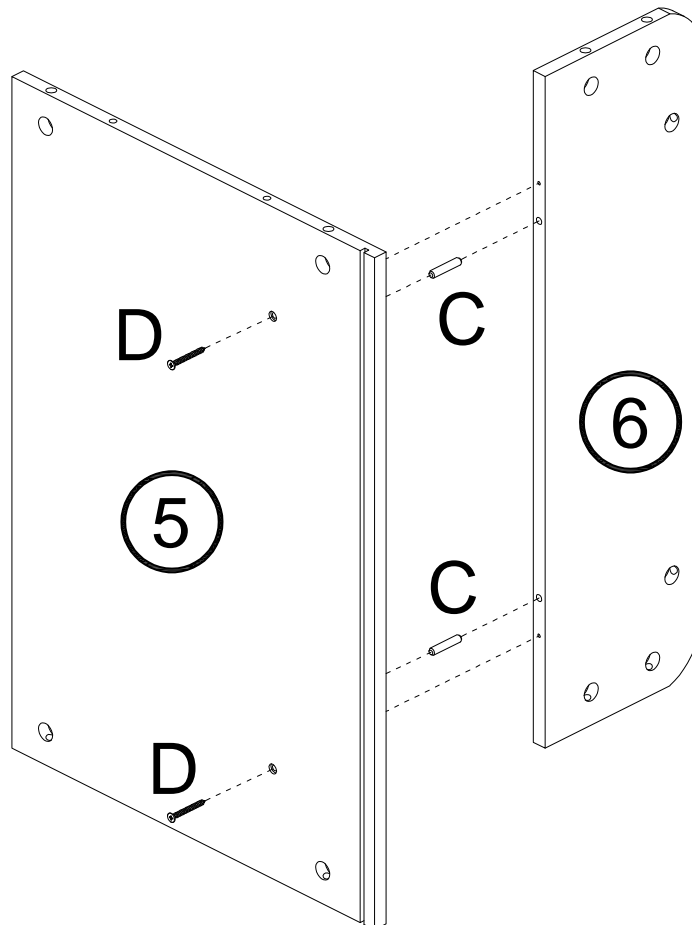
Wood Dowel  
6 x 30mm

Ⓓ



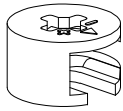
[ 2 ]

ST4x35mm



# STEP 8

**B**



[ 4 ]

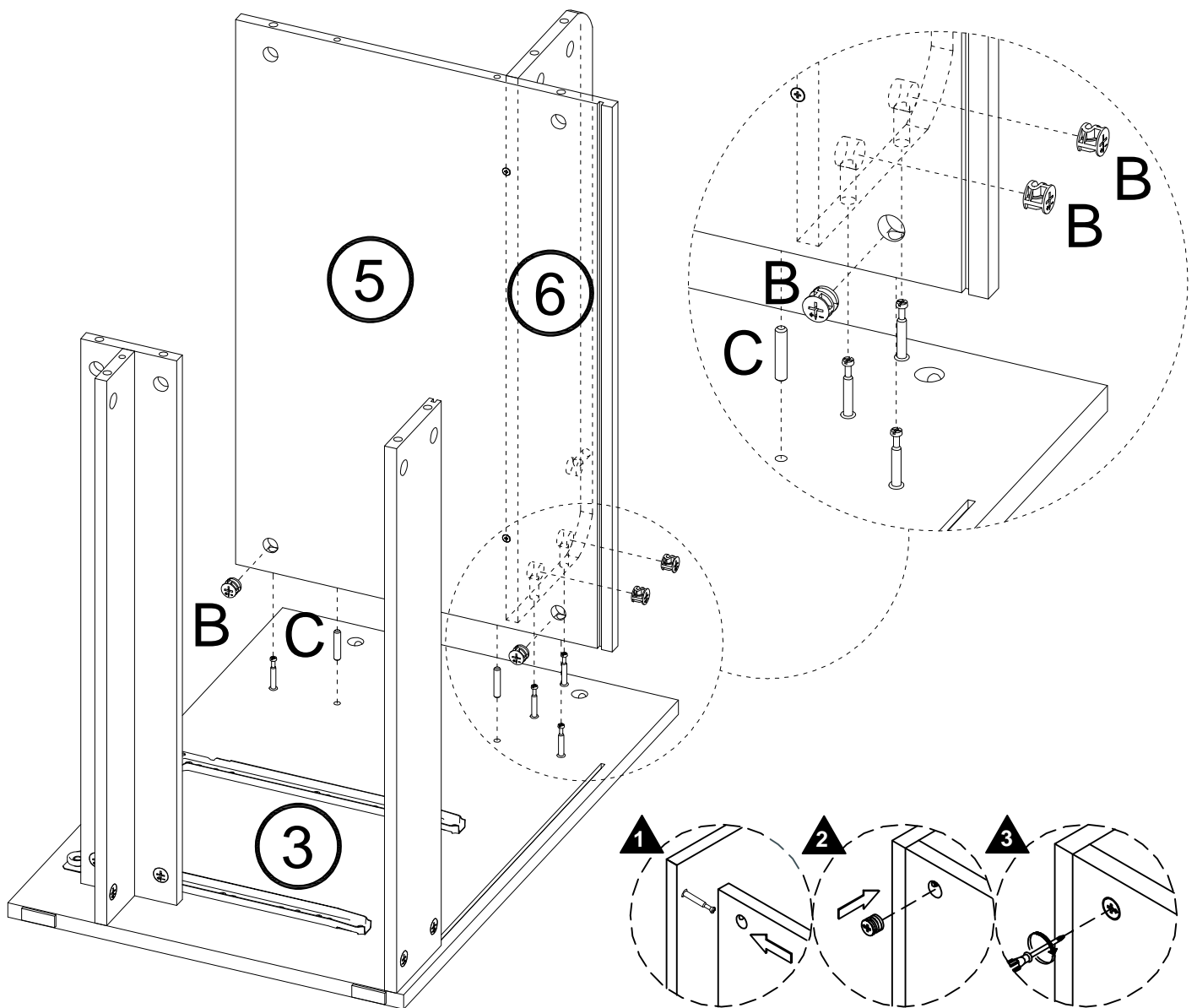
KD Cam  
Ø15x9.5mm

**C**



[ 2 ]

Wood Dowel  
6 x 30mm



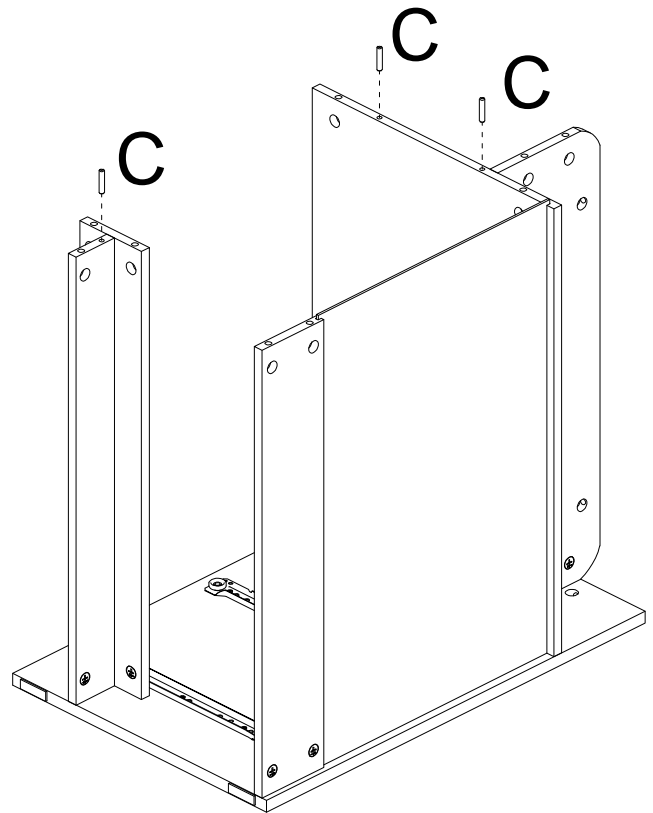
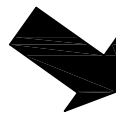
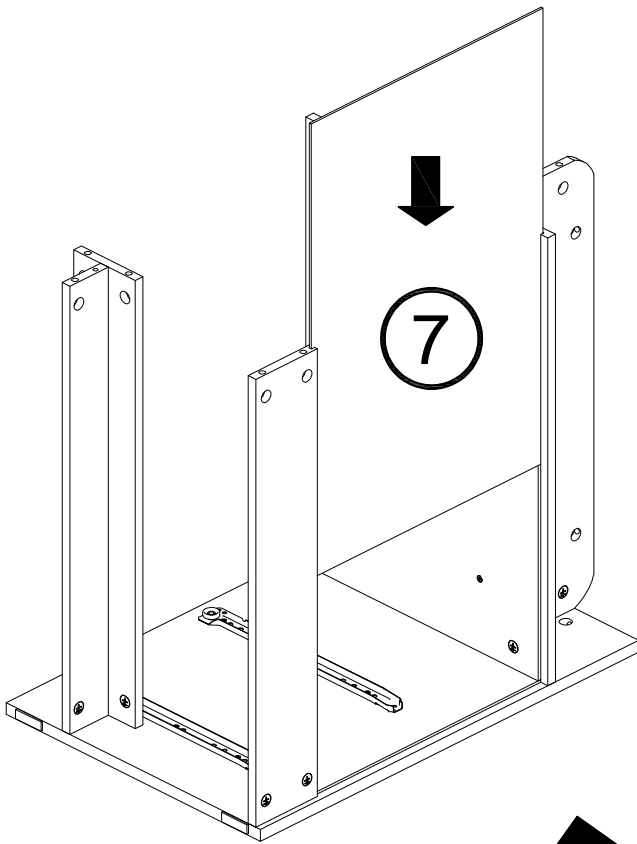
# STEP 9

Ⓒ



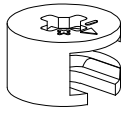
[ 3 ]

Wood Dowel  
6 x 30mm



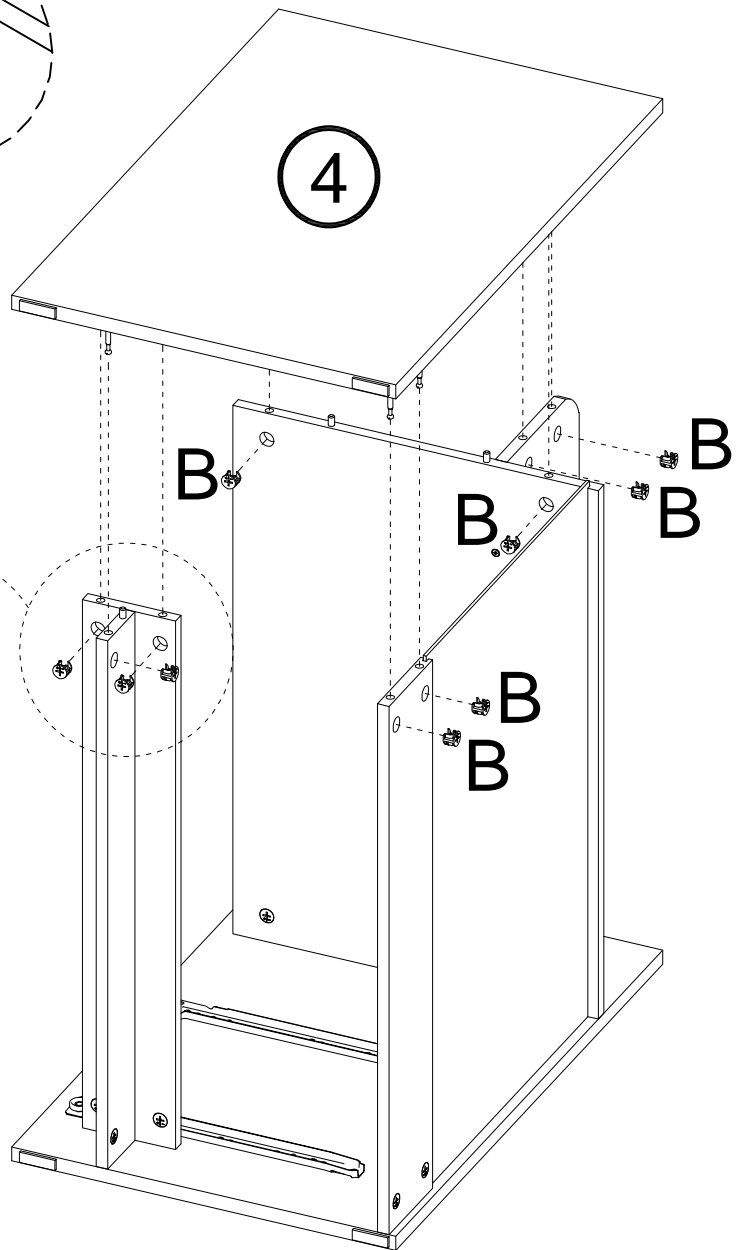
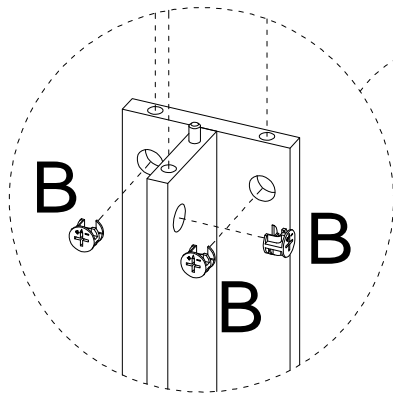
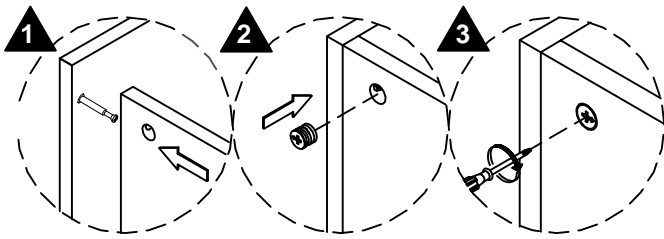
# STEP 10

(B)



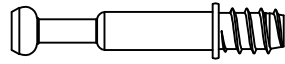
[ 9 ]

KD Cam  
Ø15x9.5mm



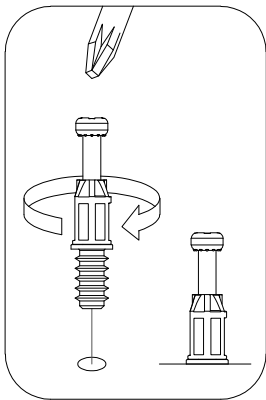
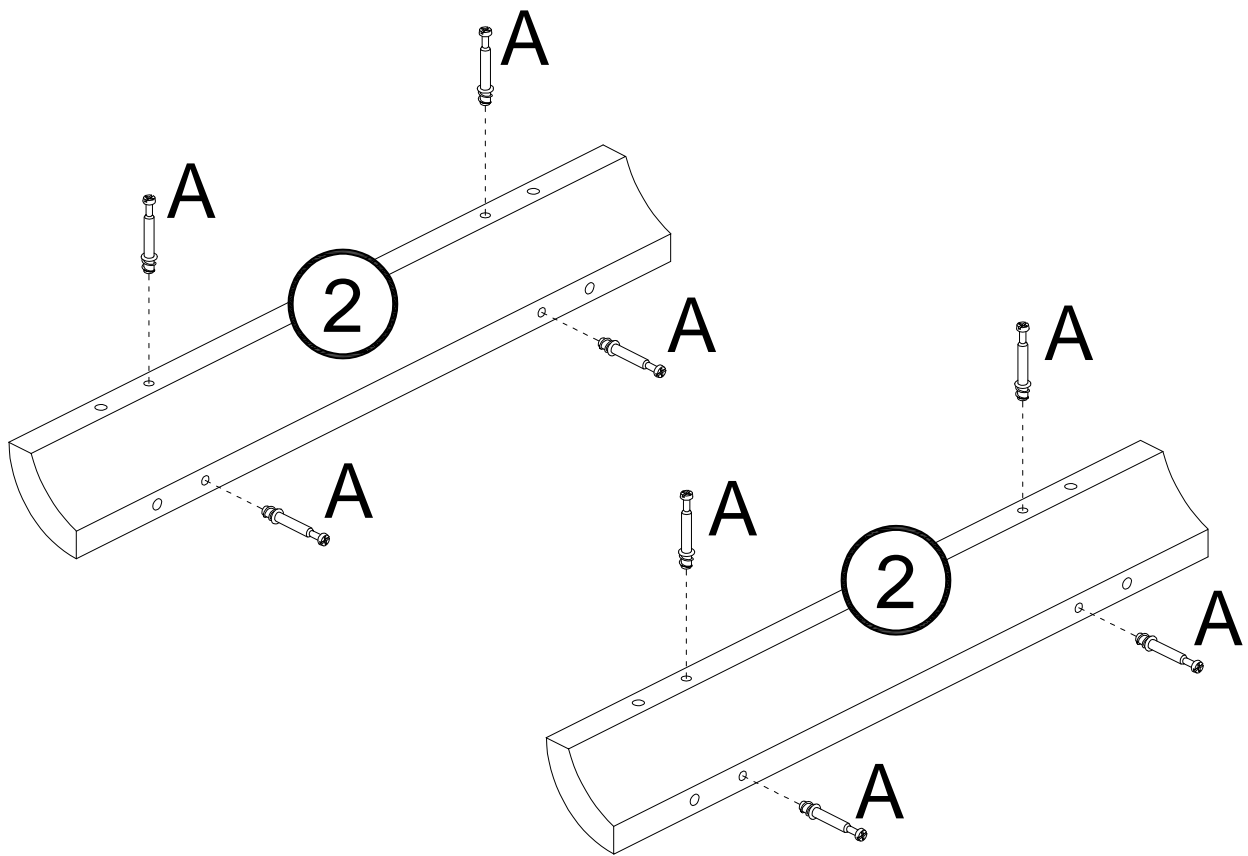
# STEP 11

(A)



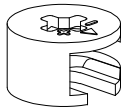
[ 8 ]

KD Bolt  
M6x35mm



# STEP 12

(B)



[ 4 ]

KD Cam  
Ø15x9.5mm

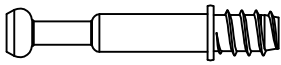
(C)



[ 4 ]

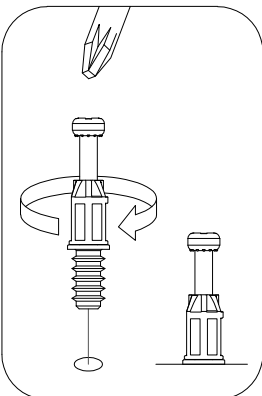
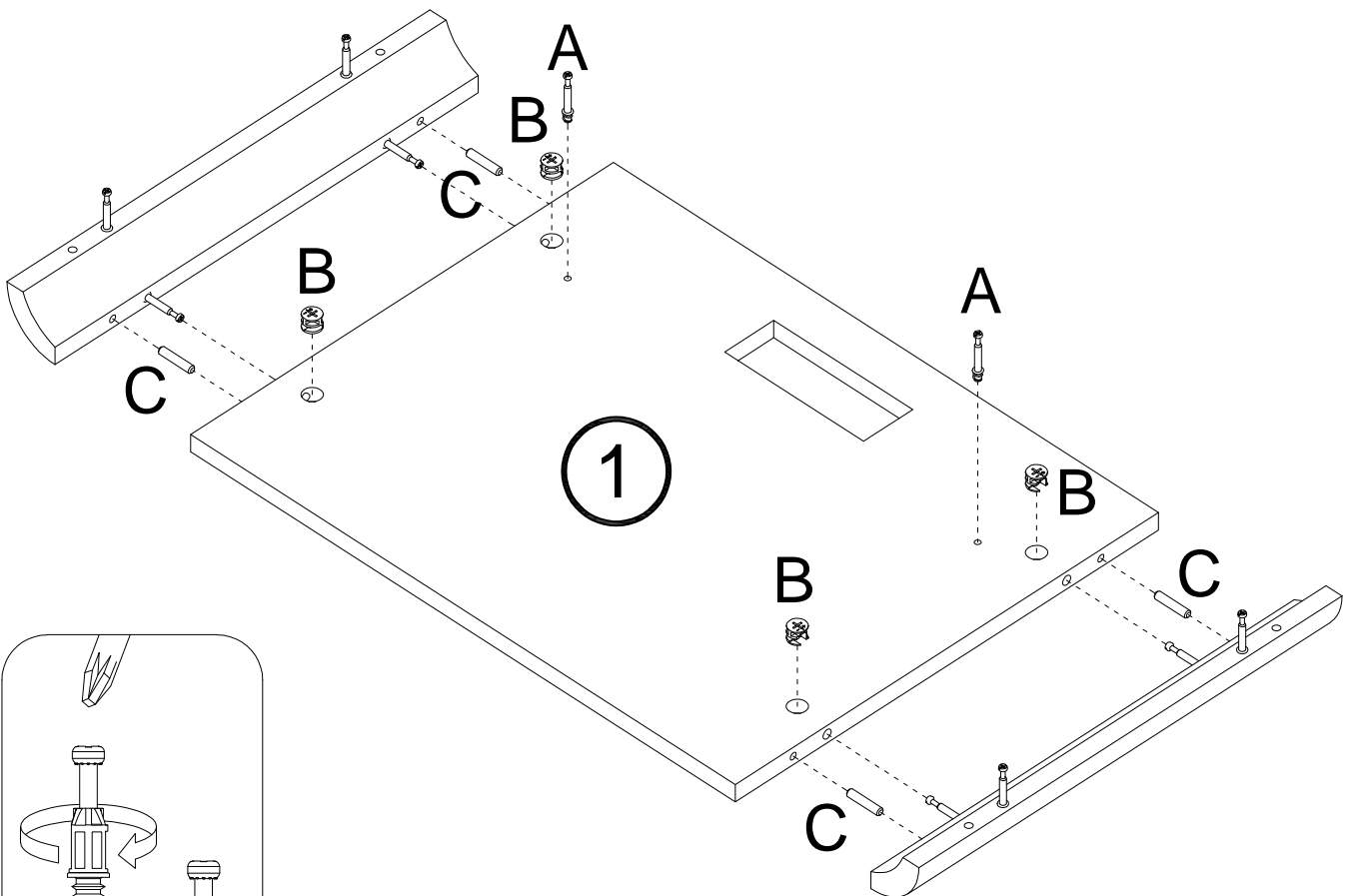
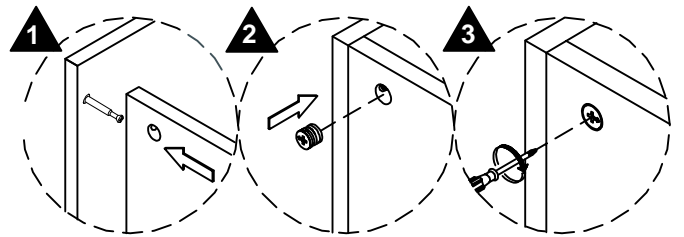
Wood Dowel  
6 x 30mm

(A)



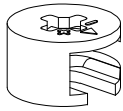
[ 2 ]

KD Bolt  
M6x35mm



# STEP 13

**B**



[ 6 ]

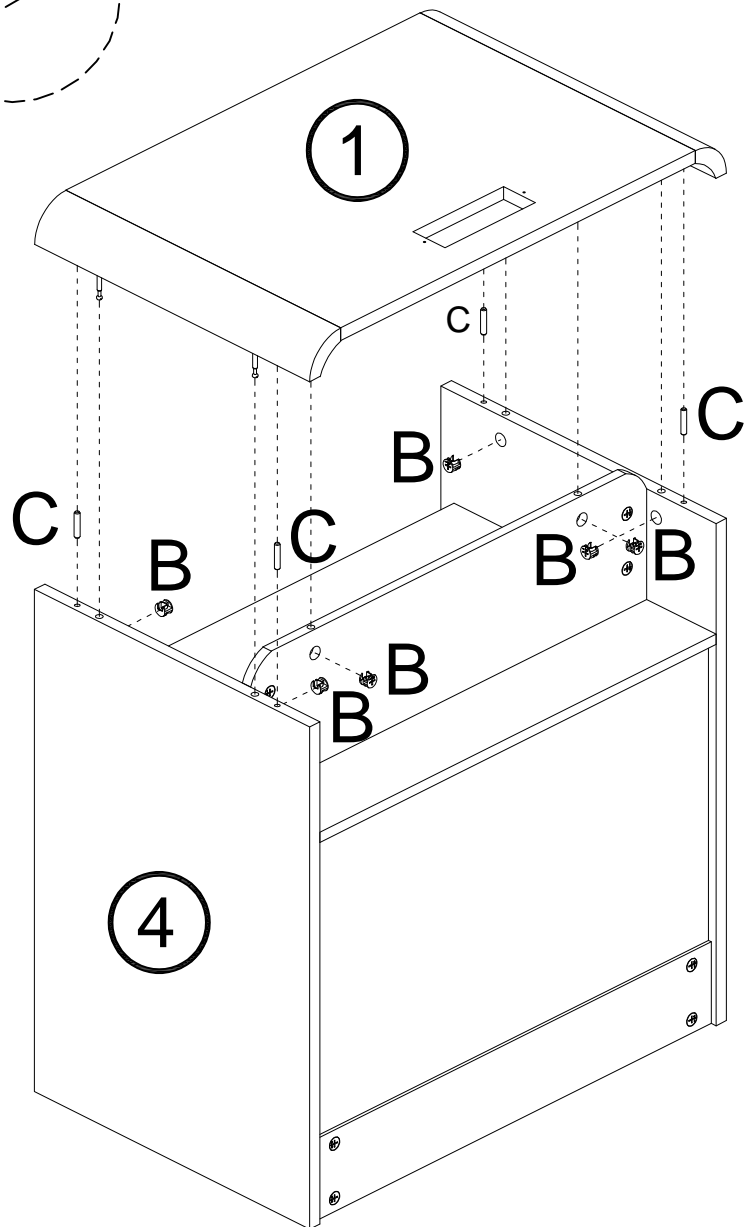
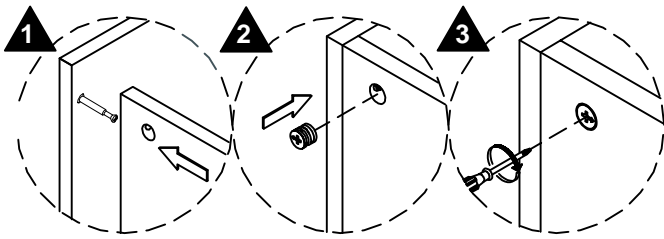
KD Cam  
Ø15x9.5mm

**C**



[ 4 ]

Wood Dowel  
6 x 30mm



# STEP 14

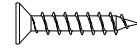
(E)



[ 2 ]

ST3.5x12mm

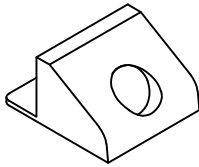
(F)



[ 8 ]

ST3.0x16mm

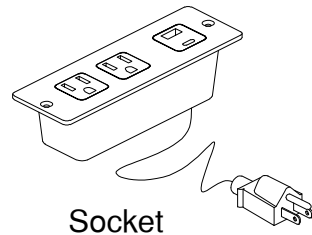
(G)



[ 8 ]

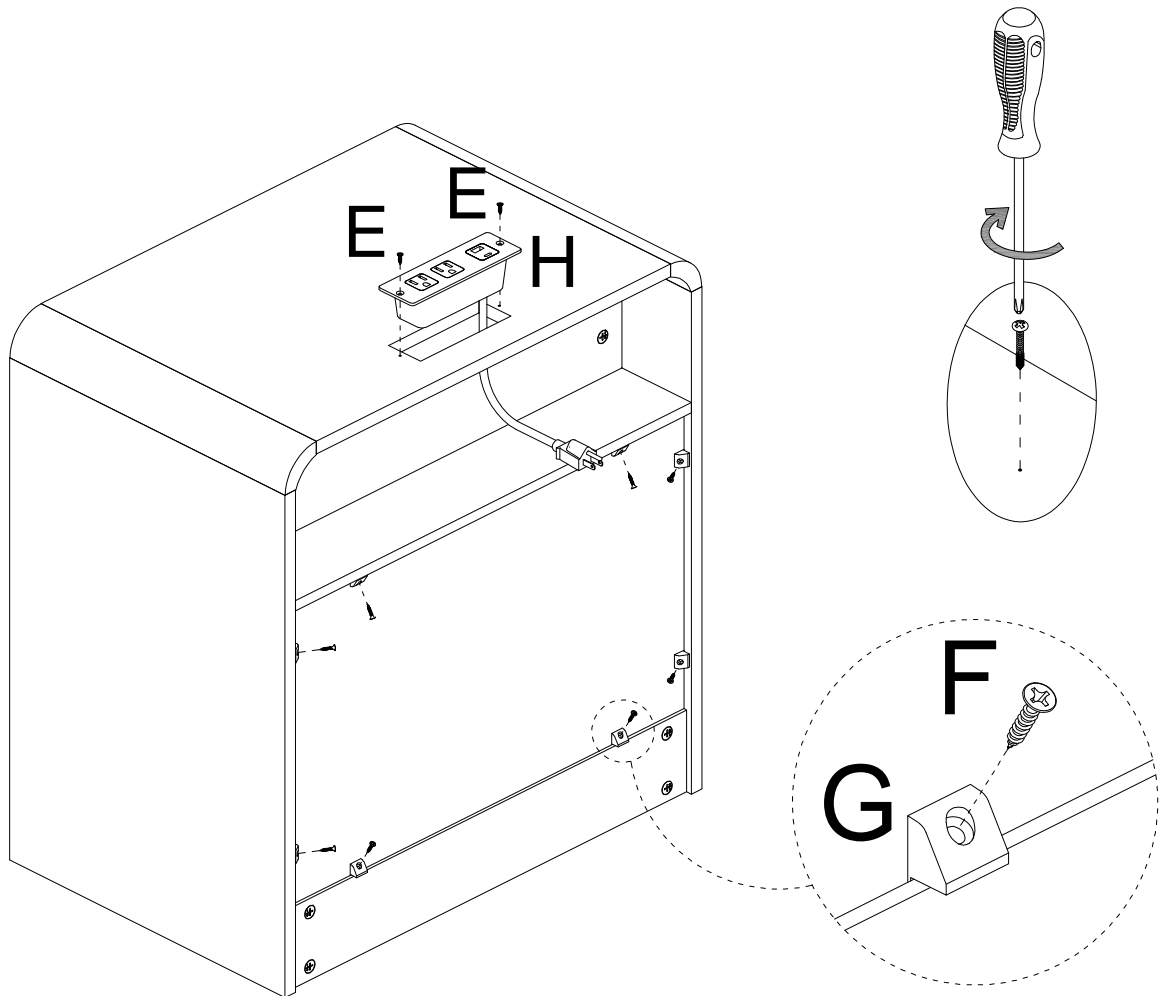
Back Clip

(H)



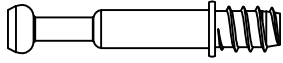
[ 1 ]

Socket



# STEP 15

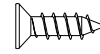
(A)



[ 10 ]

KD Bolt  
M6x35mm

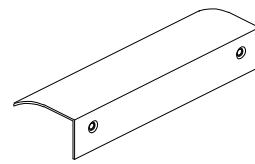
(E)



[ 4 ]

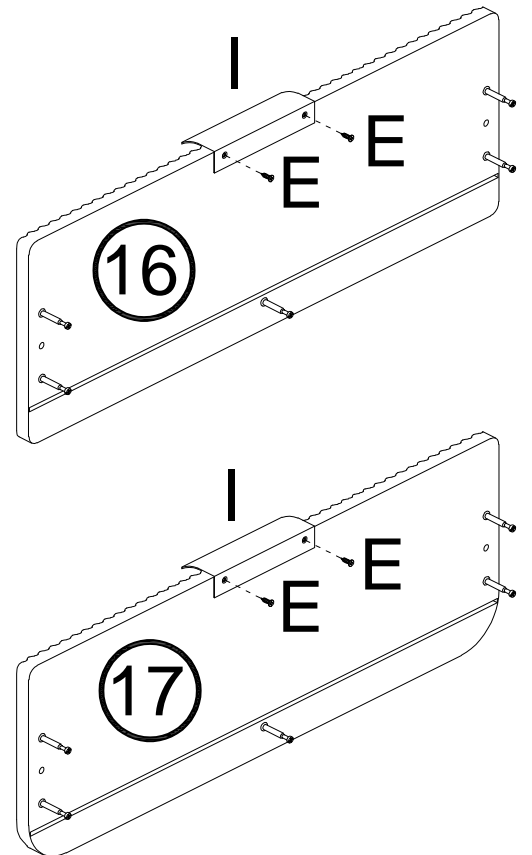
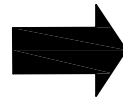
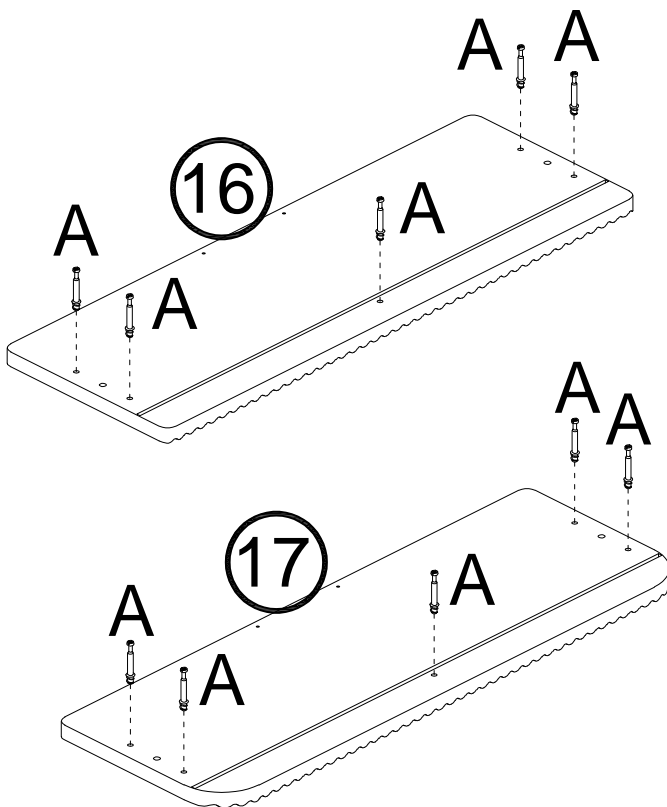
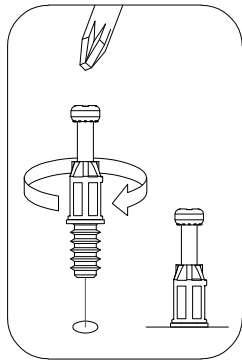
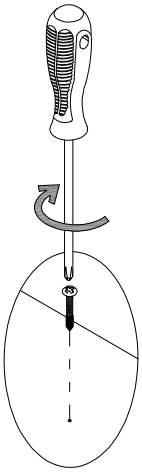
ST3.5x12mm

(I)



[ 2 ]

Handle



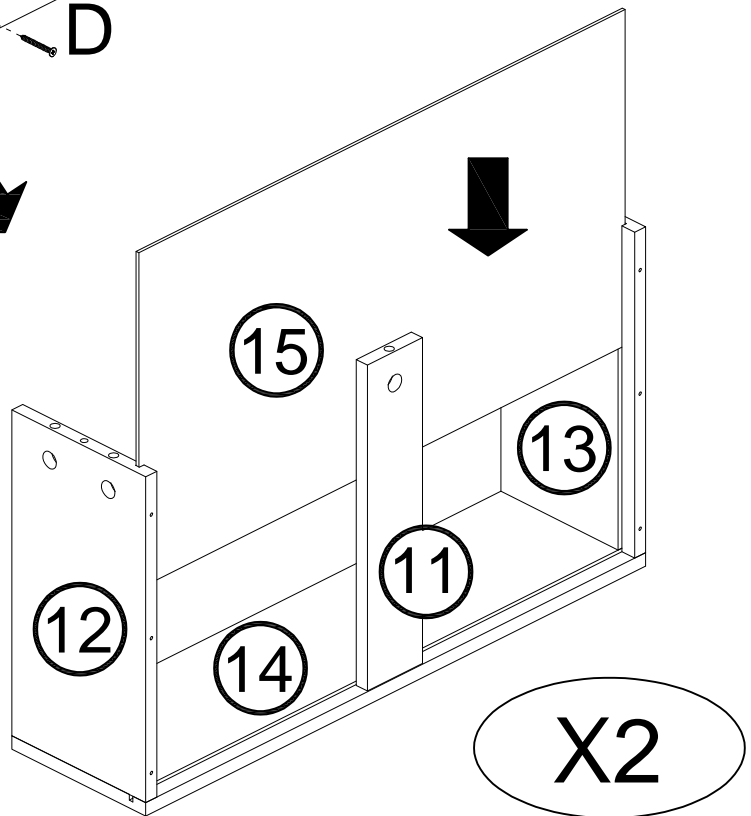
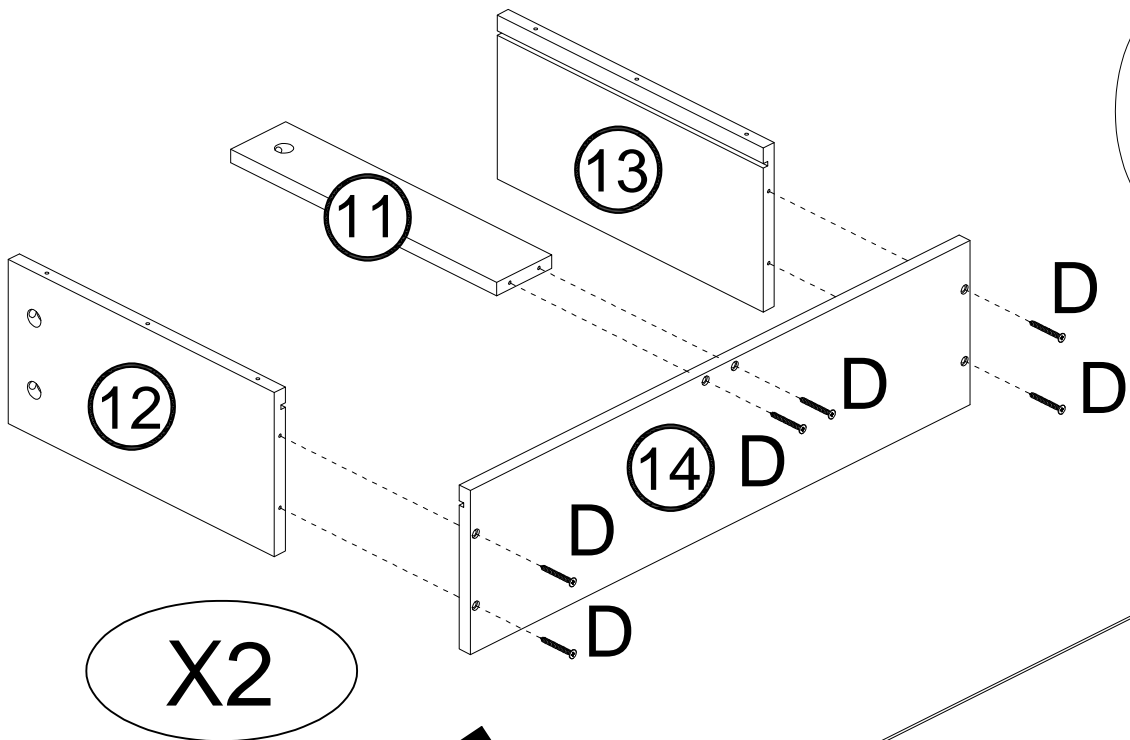
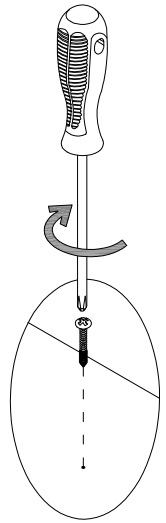
# STEP 16

Ⓚ



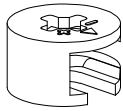
[ 12 ]

ST4x35mm



# STEP 17

**B**



[ 10 ]

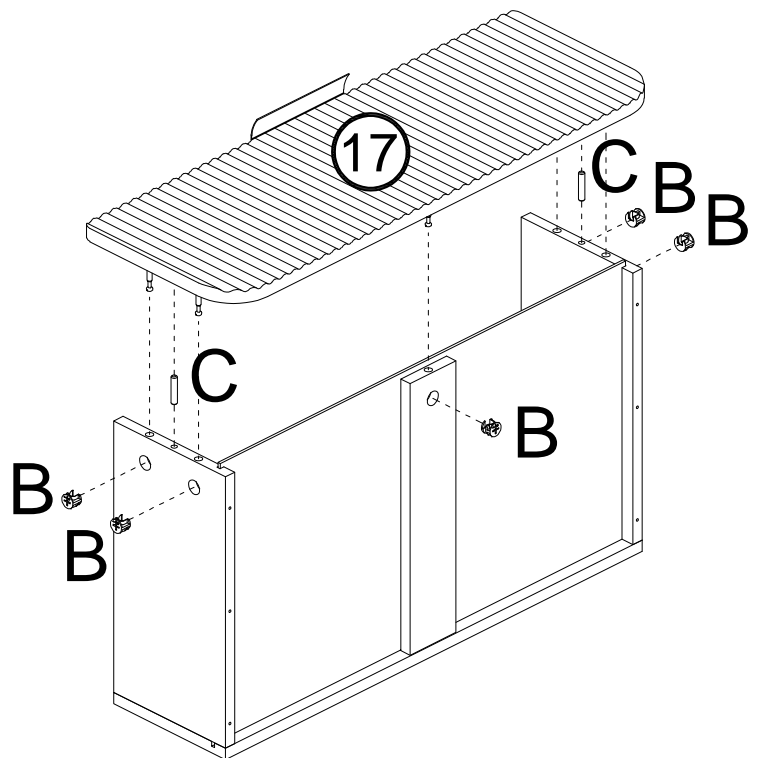
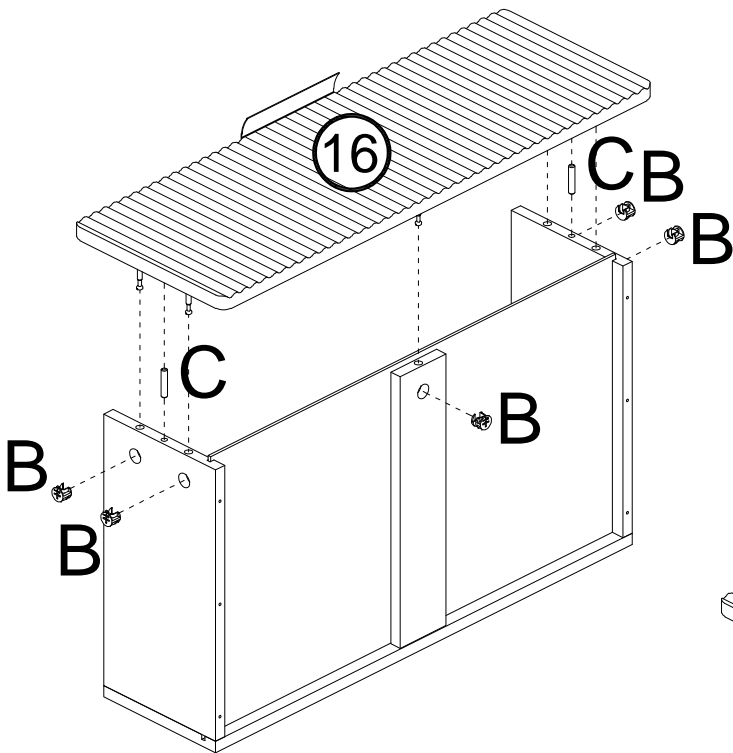
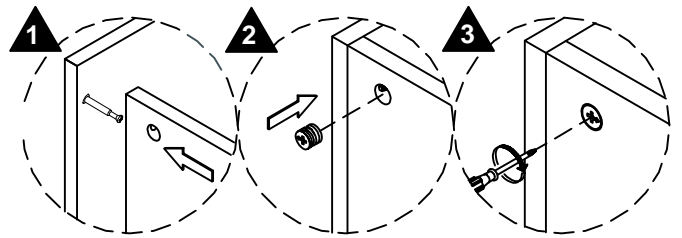
KD Cam  
Ø15x9.5mm

**C**



[ 4 ]

Wood Dowel  
6 x 30mm



# STEP 18

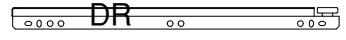
(E)



[ 6 ]

ST3.5x12mm

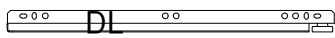
(DR)



[ 1 ]

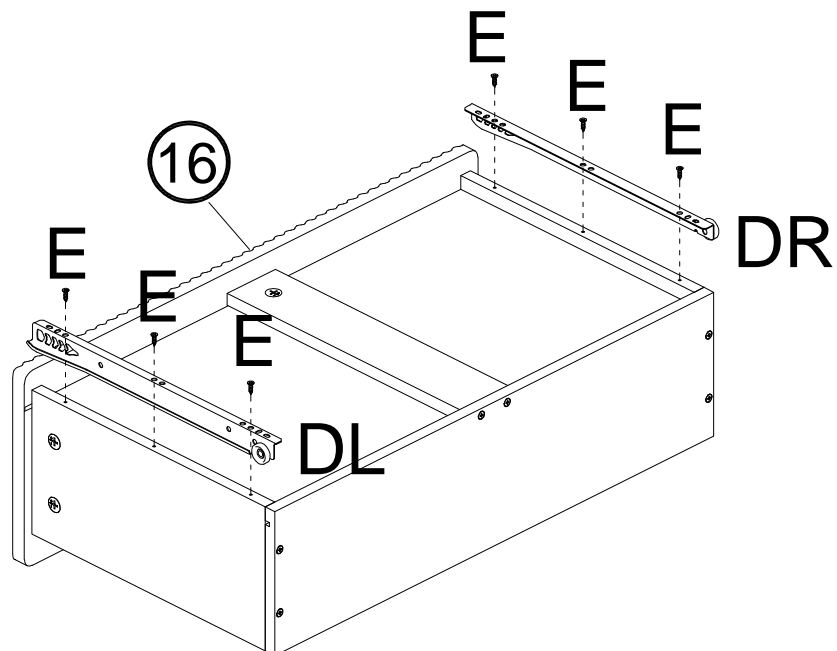
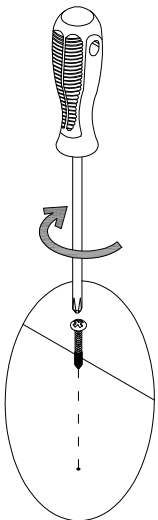
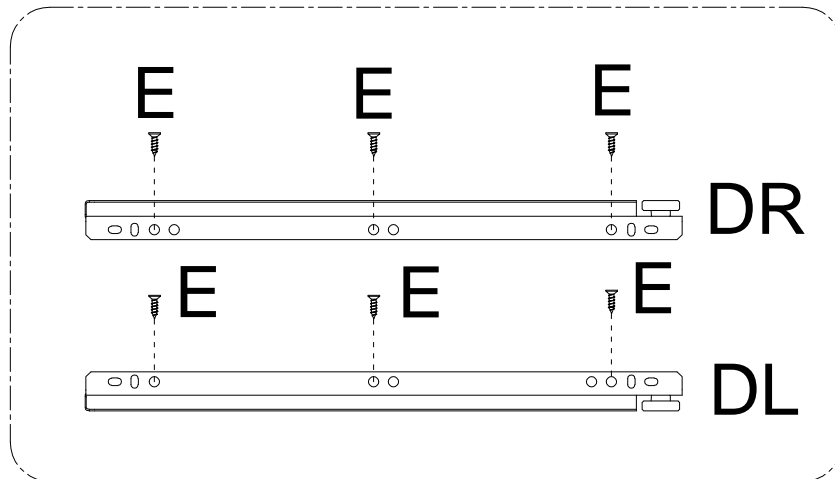
300mm Bottom exposy slide

(DL)



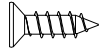
[ 1 ]

300mm Bottom exposy slide



# STEP 19

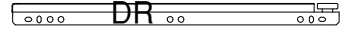
(E)



[ 6 ]

ST3.5x12mm

(DR)



[ 1 ]

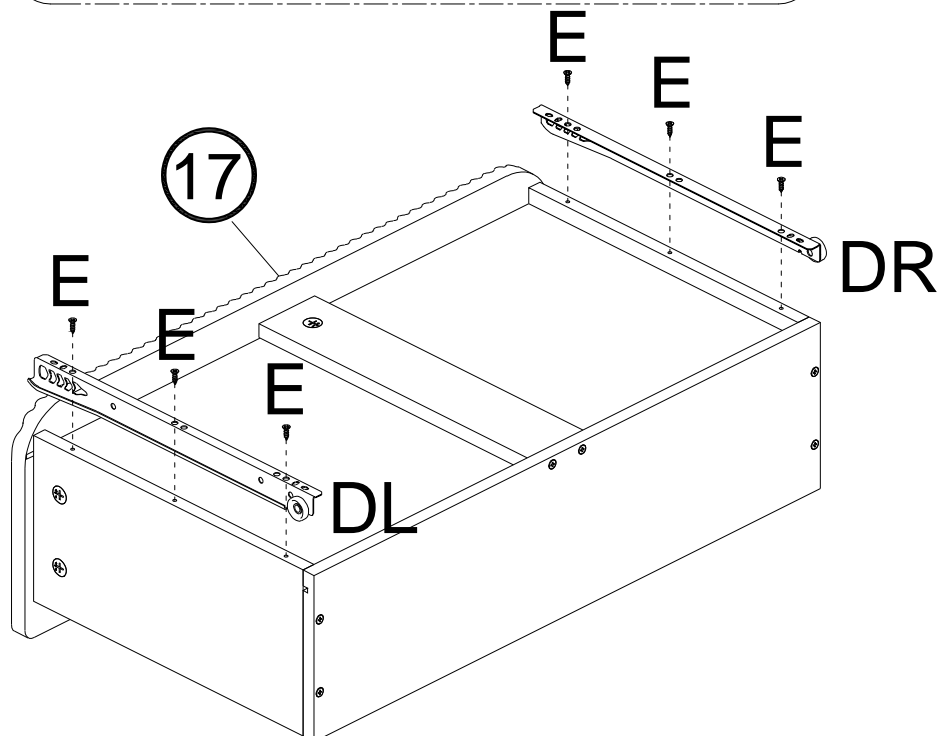
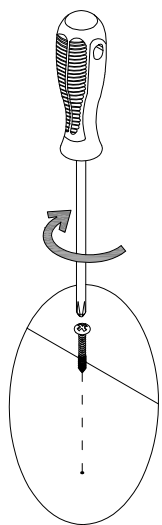
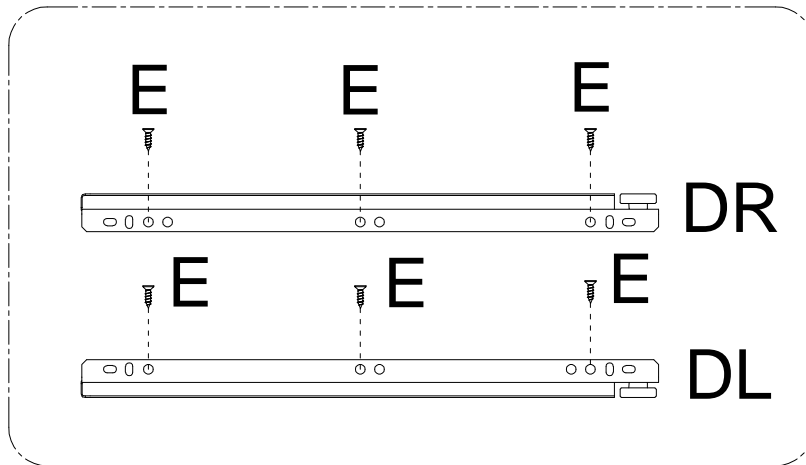
300mm Bottom exposy slide

(DL)

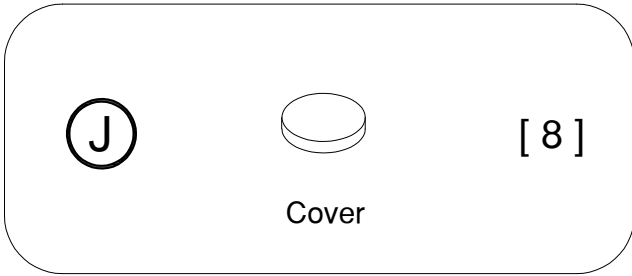


[ 1 ]

300mm Bottom exposy slide

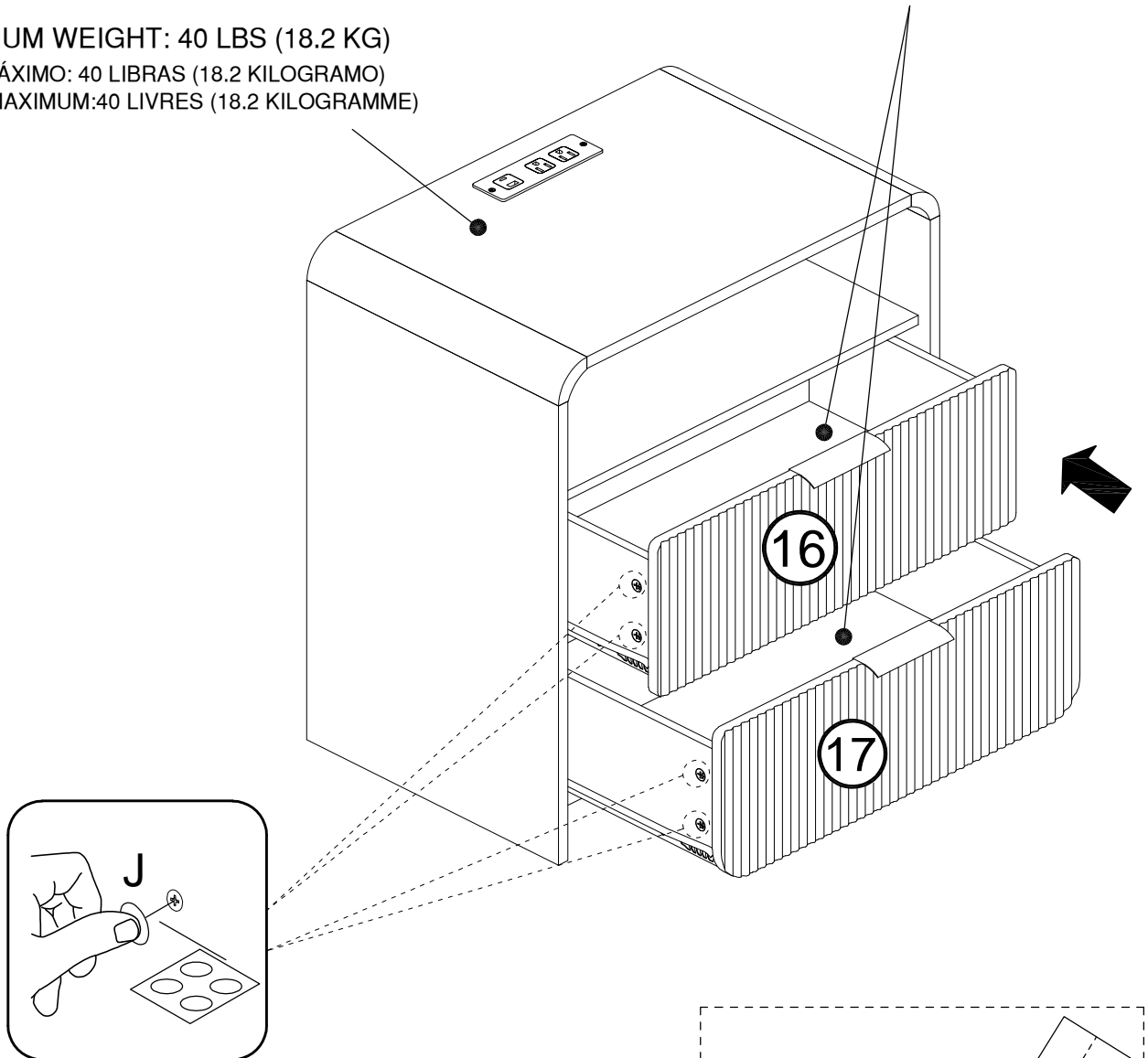


# STEP 20

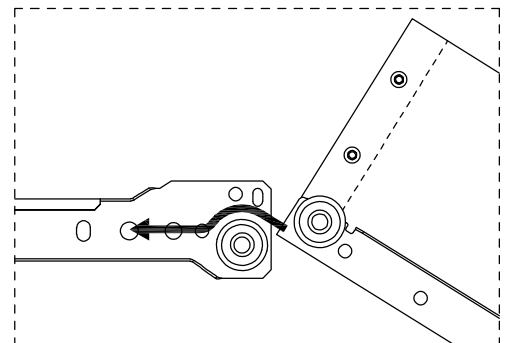


MAXIMUM WEIGHT: 40 LBS (18.2 KG)  
PESO MÁXIMO: 40 LIBRAS (18.2 KILOGRAMO)  
POIDS MAXIMUM: 40 LIVRES (18.2 KILOGRAMME)

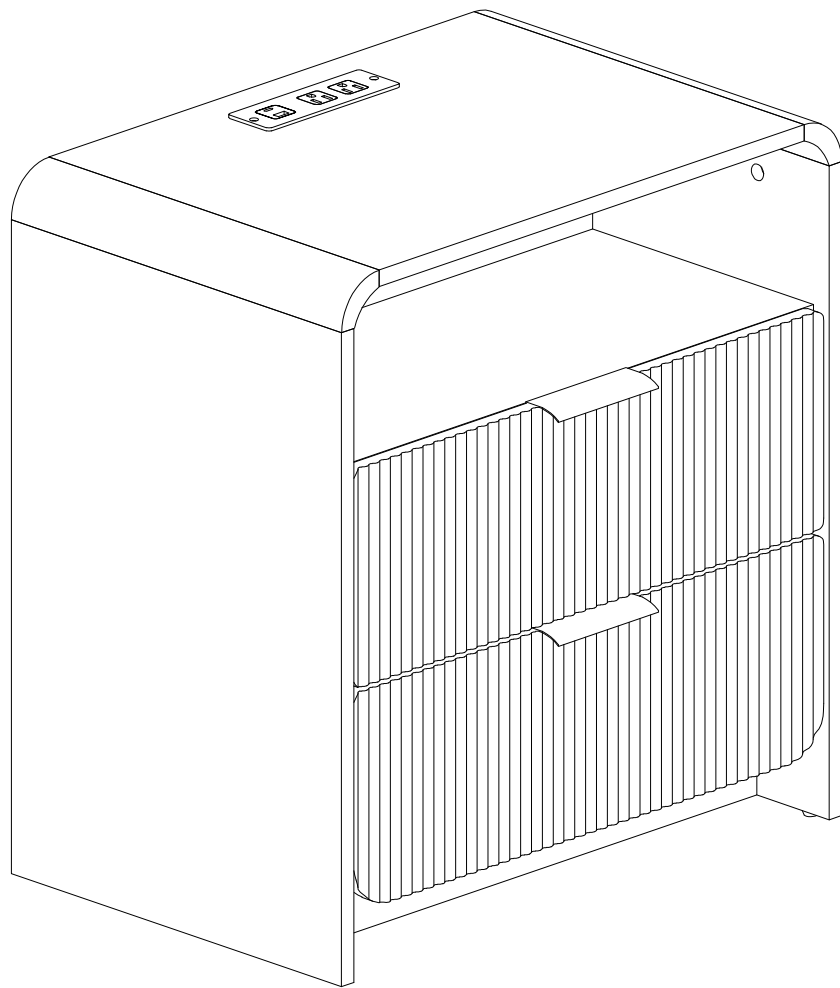
MAXIMUM WEIGHT: 25 LBS (11.3 KG)  
PESO MÁXIMO: 25 LIBRAS (11.3 KILOGRAMO)  
POIDS MAXIMUM: 25 LIVRES (11.3 KILOGRAMME)



Please note that the drawers must be installed as indicated by the arrows.



# STEP 21



Installation complete