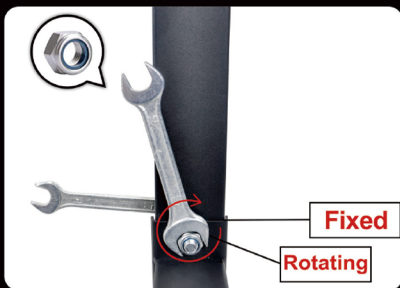


Notification of the product

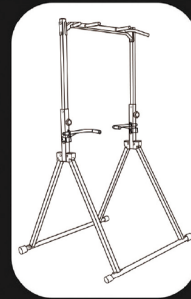
1. Kindly please use this product in house, since it is designed for house hold.
2. Before use, please check that screws, nuts and other fixing parts have been installed. Confirm that these parts are fixed.
3. Pay special attention to children. Plastic bags can cause asphyxiation.
4. Due to the weight and height of the product, please carry or move it by more than two people. Please handle it carefully.
5. Do not place or keep in the following places: an unstable place, such as one that is inclined or slippery, or one that often vibrates. A place of smoke, moisture or dust a place with poor ventilation. Extremely hot or cold places. Direct sunlight or close to heating appliances. In case of earthquake, please keep it in a safe place.
6. If you have any questions, please feel free to contact us.

Tightening instructions for non-slip screws

Secure the nuts on either side with two wrenches. One hand doesn't rotate, the other hand rotates. In this way, the screw can be turned.



Guarantee Free repair for 1 year from purchase.

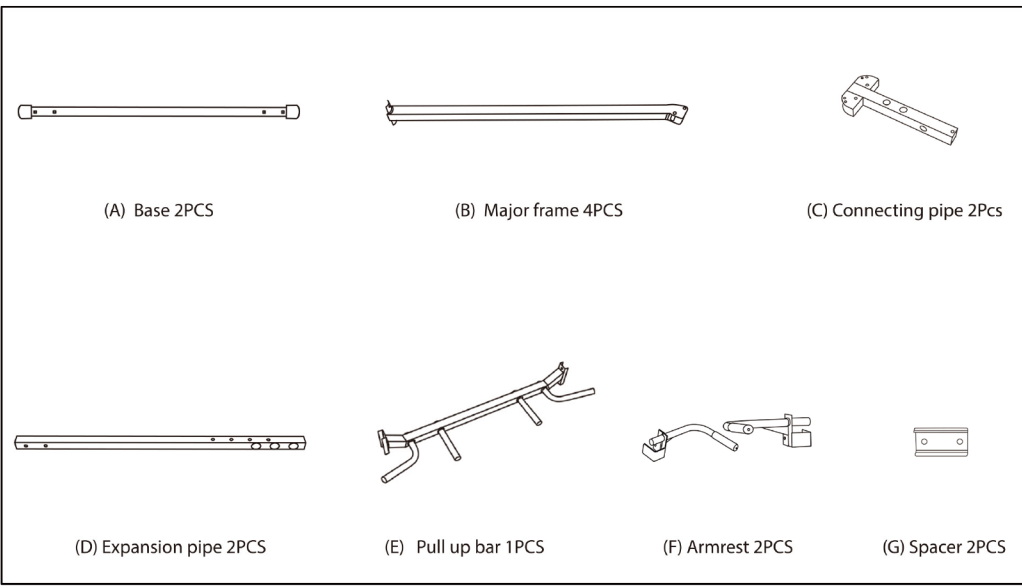


Foldable Power Tower Instruction

Foldable Power Tower

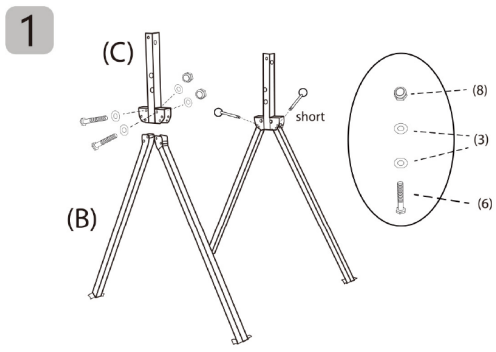
Confirm the contents of the package are all included

Please feel free to contact us for missing parts or installation problems.

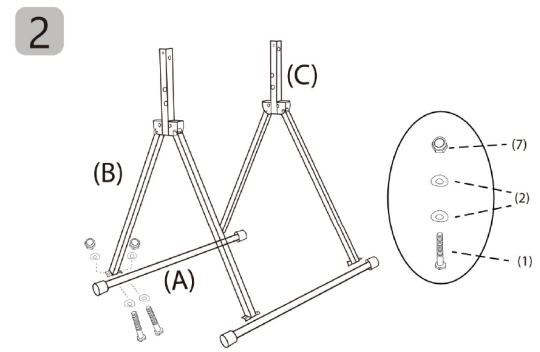


Note: After installing all the parts, then tighten the screws.

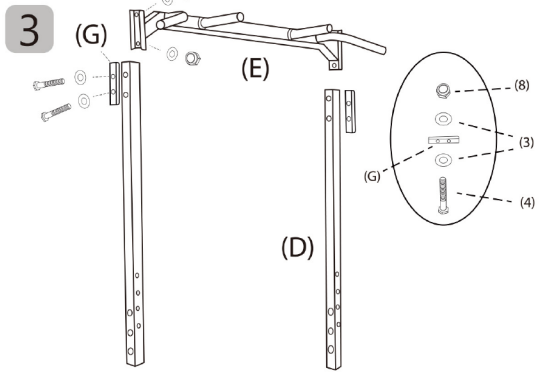
(1) ×8 8x55	(2) ×16 m8	(3) ×16 m10	(4) ×4 10x55	(5) ×2 Wrenches
(6) ×4 10x60	(7) ×8 m8	(8) ×8 m10	(9) ×4 short ×2 long ×2	(10) ×2 Knob



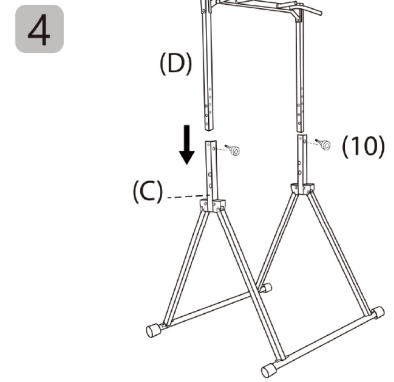
Please connect (C) Connecting pipe and (B) Major frame with pins and screws as shown in the figure. Note: if in unstable condition, please pay attention to prevent the product from dumping.



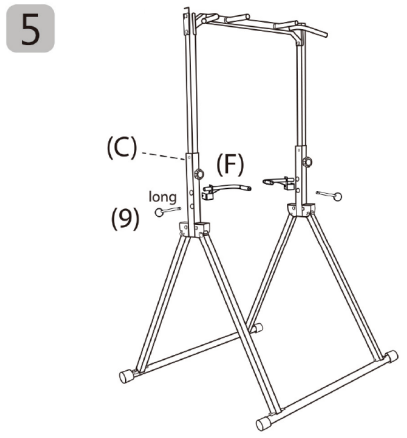
Please connect (A) Base and (B) Major frame as shown in the figure. Please be careful not to take a wrong orientation for (B). Note: turn the foot cover so that the thick side is facing down to prevent the screws from scratching the floor.



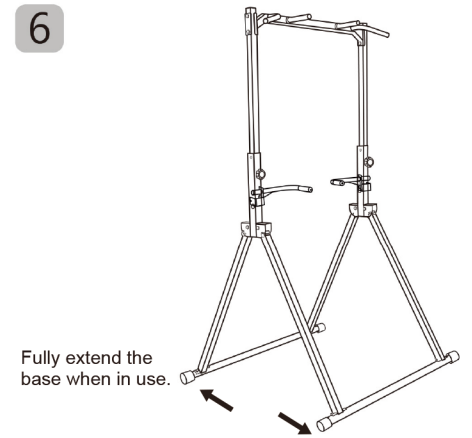
Assemble the Pull up bar (E) with Expansion pipe (D) and the Spacer (G) as shown in the figure. Caution: be careful not to pinch your hand.



Adjust the height of the (D) Expansion pipe and secure it above the (C) Connecting pipe with the knob.



Please install Armrest (F) into Connecting pipe (C) and secure with lock pin (9)



Note: retract the base a little to make it easier to pull out the pins. Attention: prevent the upper part of the product from tilting and causing injury when pulling out the four pins.