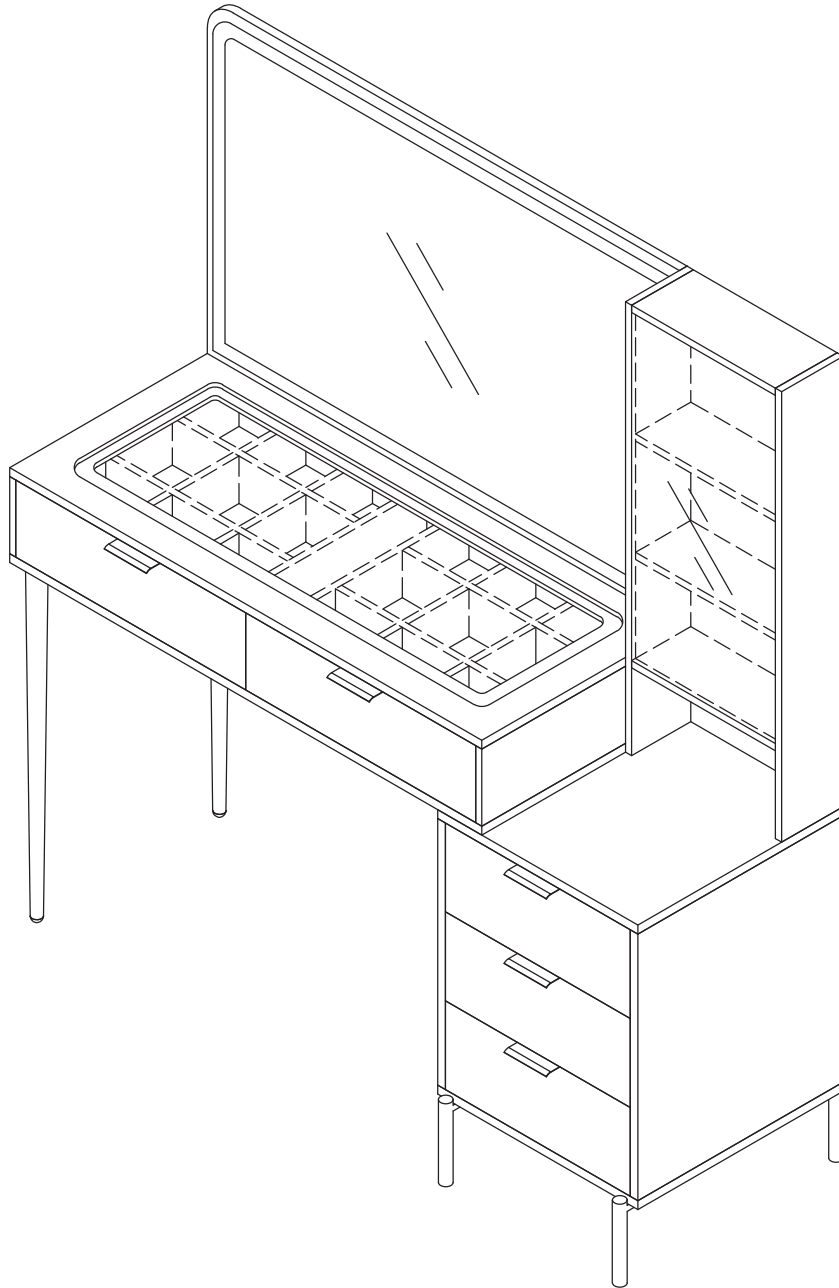
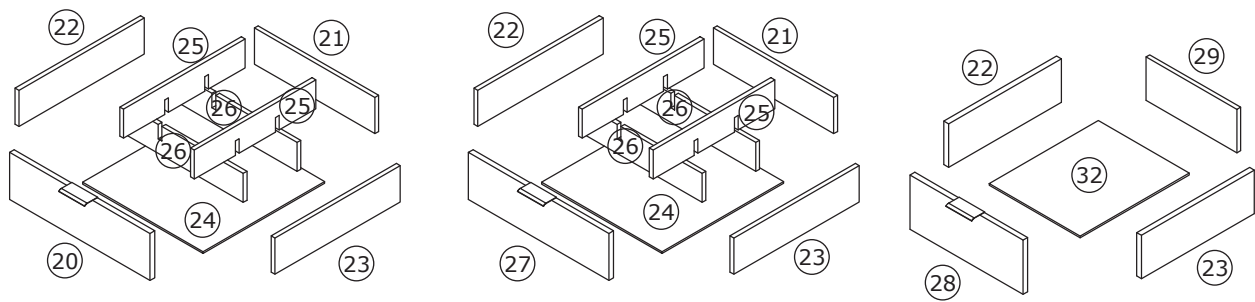
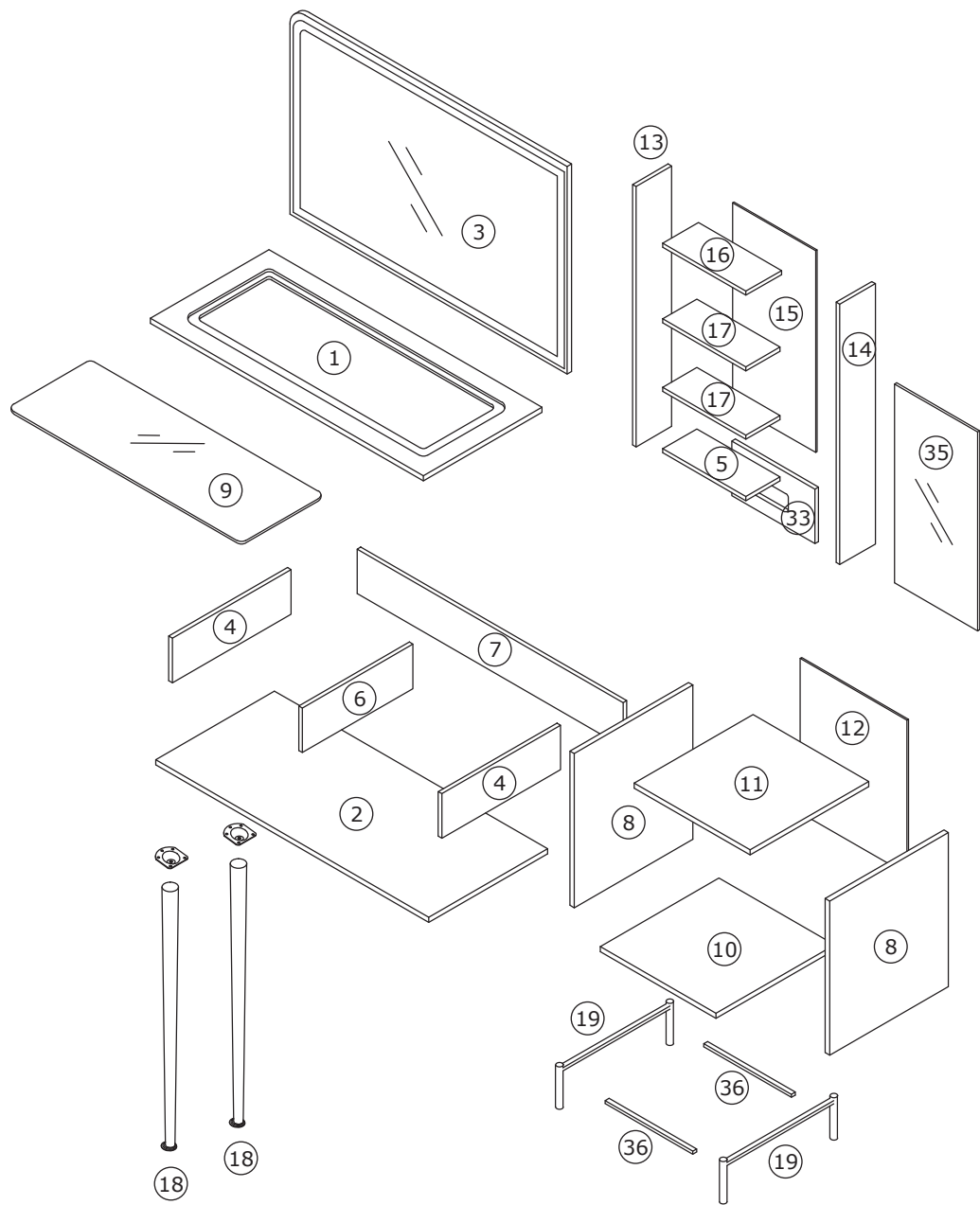


# Assembly Instruction

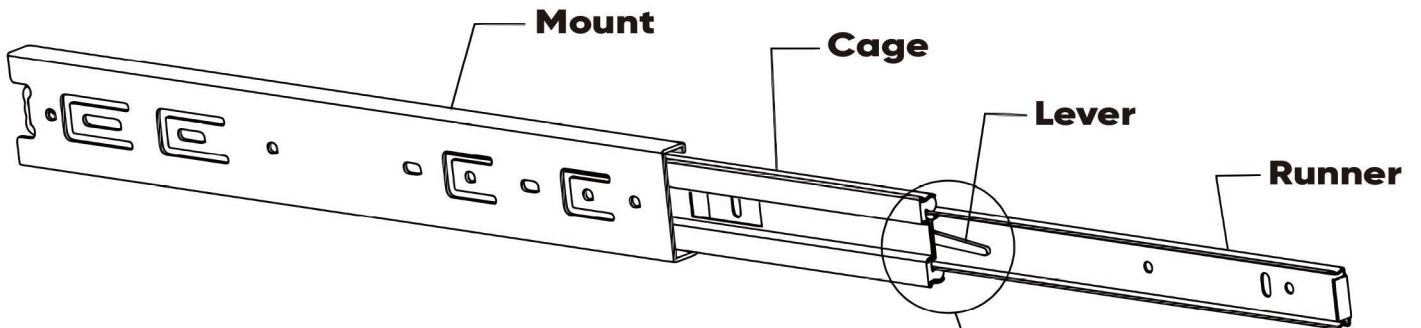




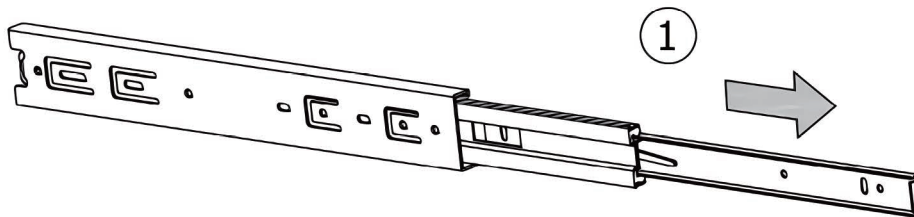
X3

# Warm Reminder

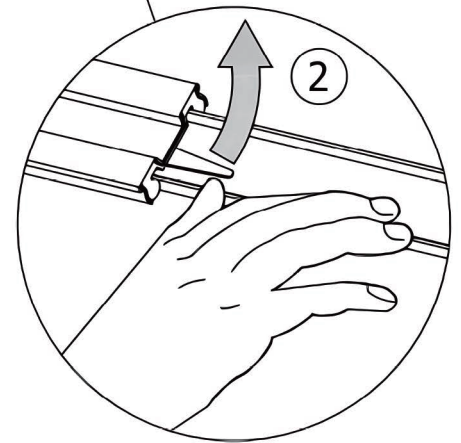
Before installing the drawer rail, you need to separate the Part-1 and Part-2 first.



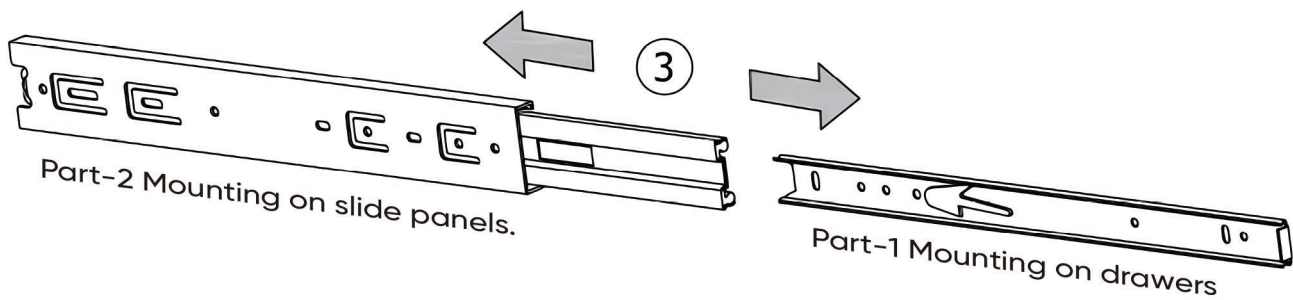
## STEP 1: Extend Slider



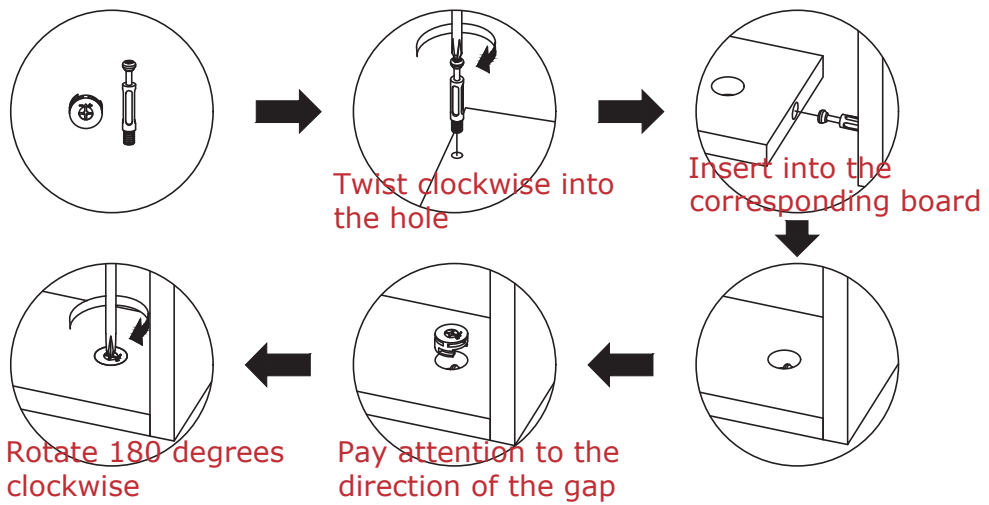
## STEP 2: Push Lever Up




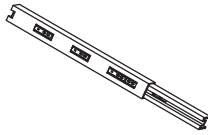


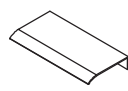
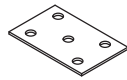
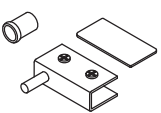
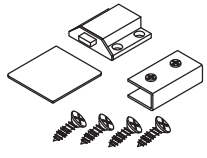
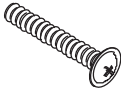
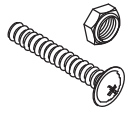
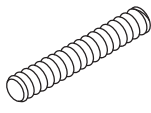
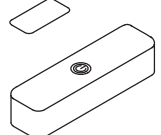
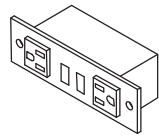




## STEP 3: Remove Runner

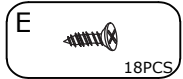
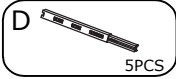
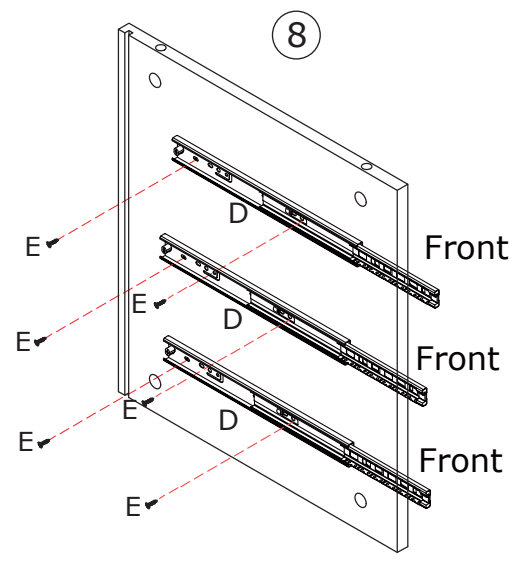
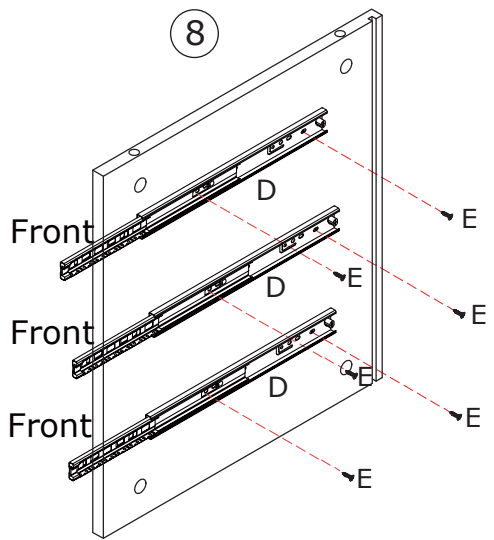
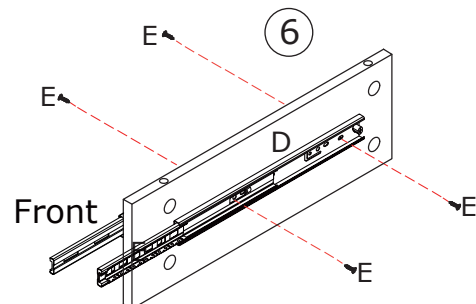
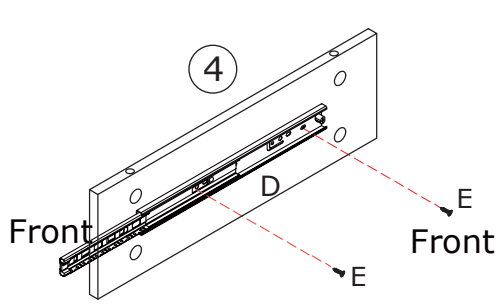
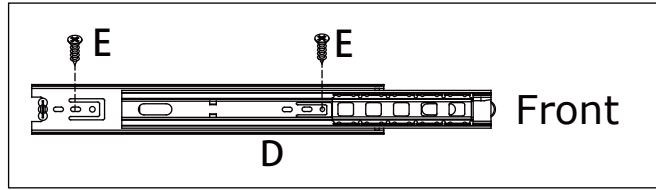


Eccentric installation principle

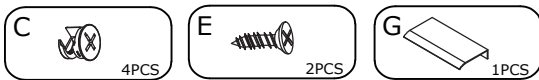
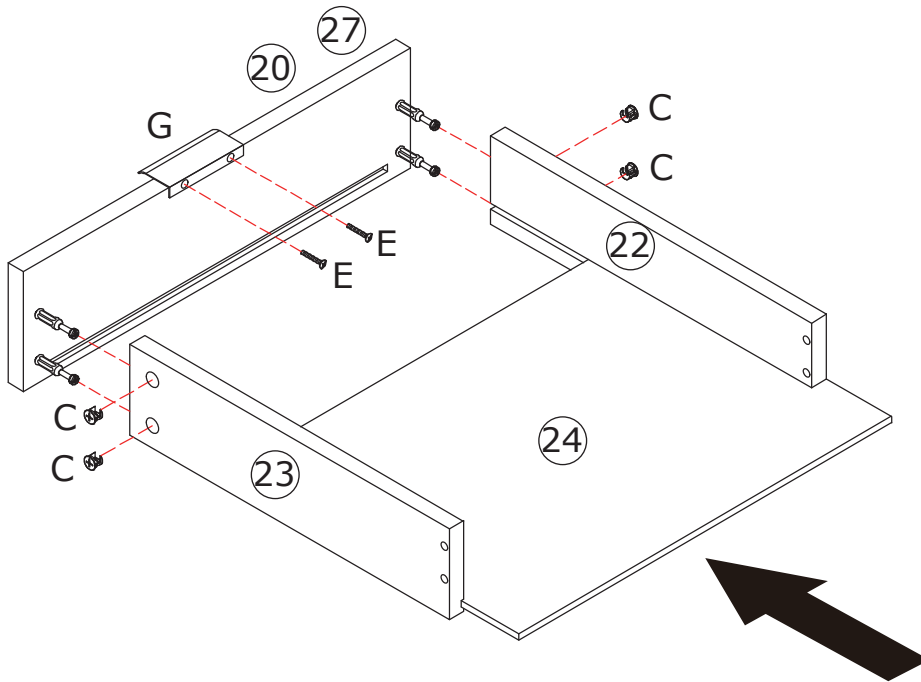


<p><b>A</b></p>  <p>x80</p>	<p><b>B</b> (<math>\varnothing 15</math>)</p>  <p>x35</p>	<p><b>C</b> (<math>\varnothing 12</math>)</p>  <p>x45</p>	<p><b>D</b></p>  <p>x5</p>	<p><b>E</b> (<math>\varnothing 4 \times 12</math>)</p>  <p>x56</p>
<p><b>F</b> (<math>\varnothing 3 \times 30</math>)</p>  <p>x22</p>	<p><b>G</b></p>  <p>x5</p>	<p><b>H</b></p>  <p>x1</p>	<p><b>J</b></p>  <p>J1 x2</p>	<p><b>J2</b> x1</p> 
<p><b>K</b> (<math>\varnothing 6 \times 40</math>)</p>  <p>x5</p>	<p><b>L</b> (<math>\varnothing 6 \times 40</math>)</p>  <p>x2</p>	<p><b>M</b> (<math>\varnothing 6 \times 30</math>)</p>  <p>x2</p>	<p><b>N</b></p>  <p>x3</p>	<p><b>O</b></p>  <p>x1</p>
<p><b>P</b> (<math>\varnothing 4 \times 14</math>)</p>  <p>x25</p>	 <p>x5</p>			

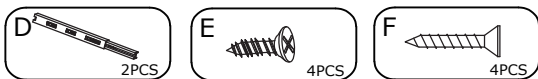
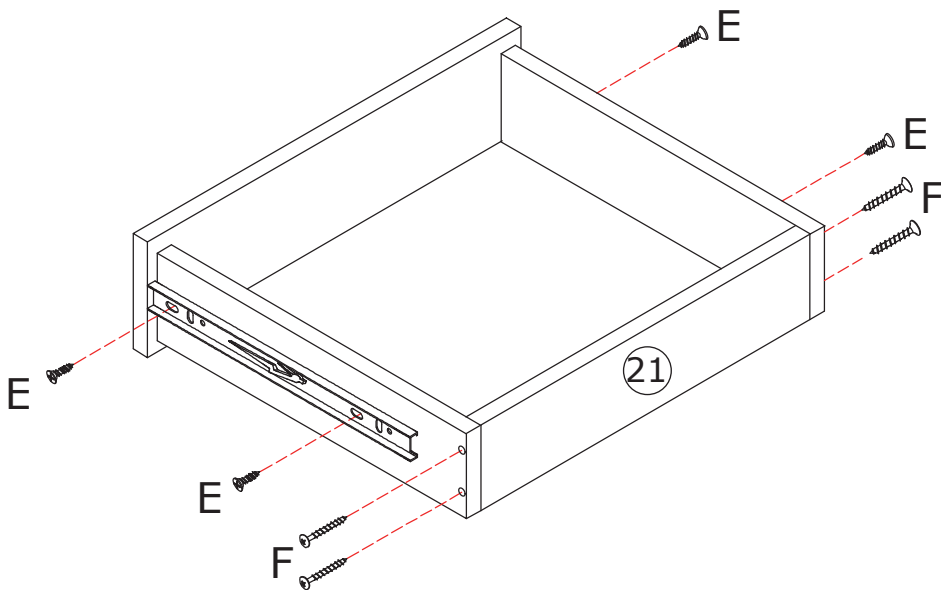
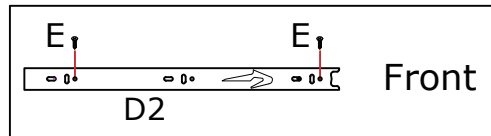
(Night light can be placed in any drawer by itself)



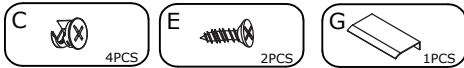
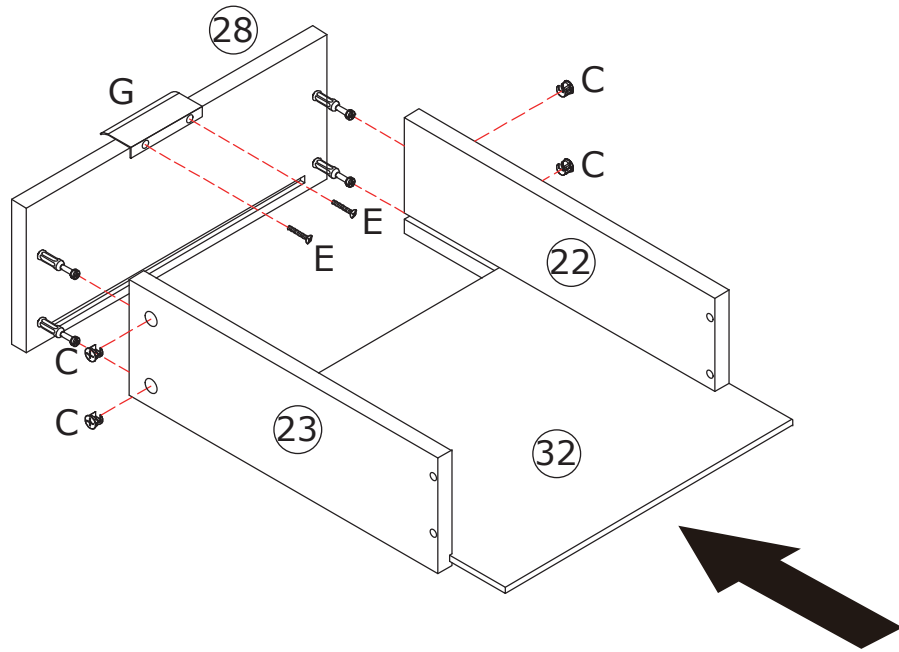
1



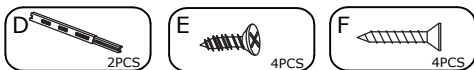
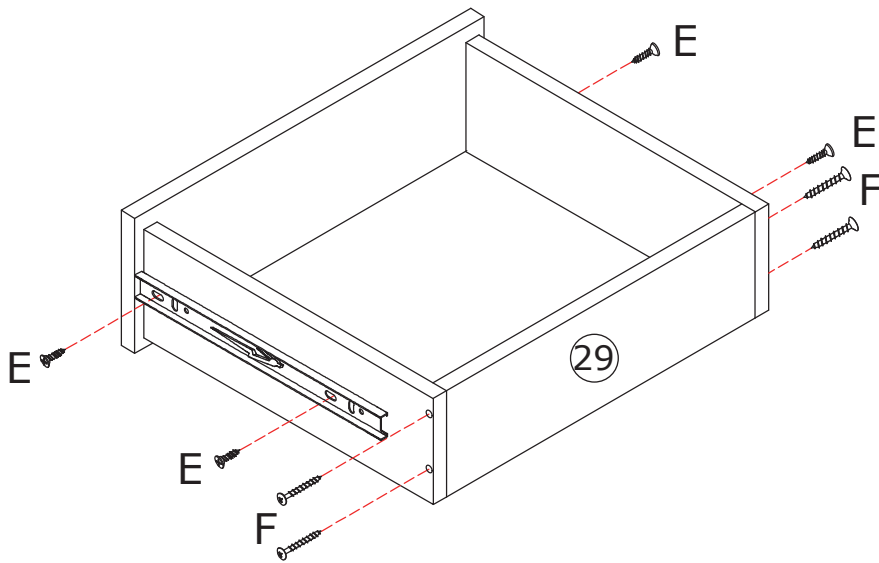
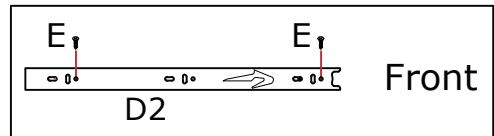
2



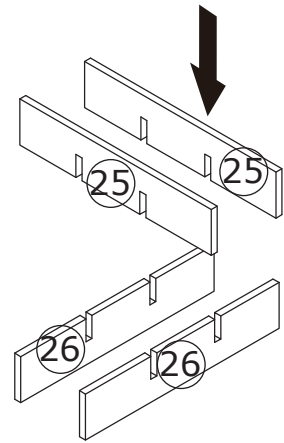
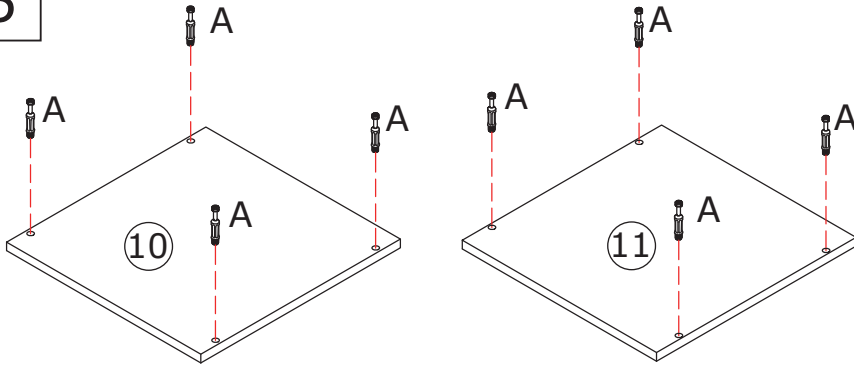
3



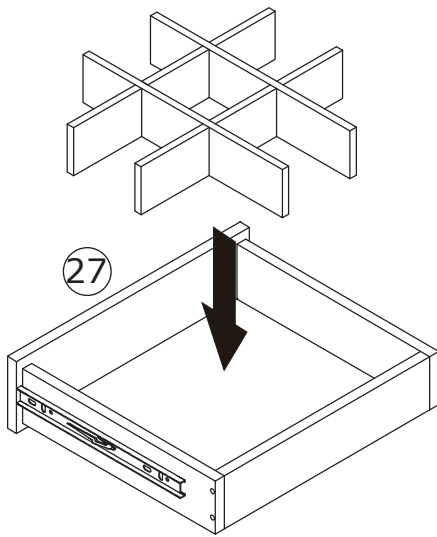
4



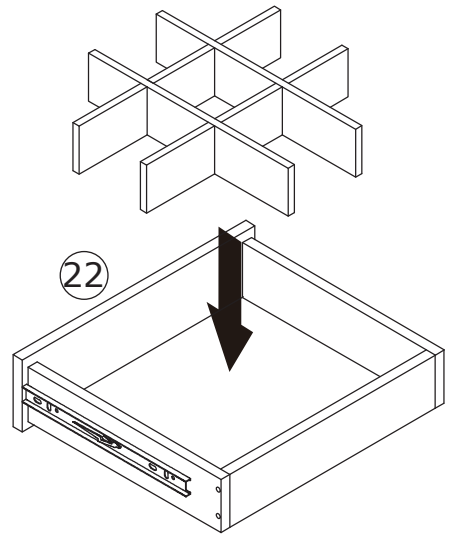
5



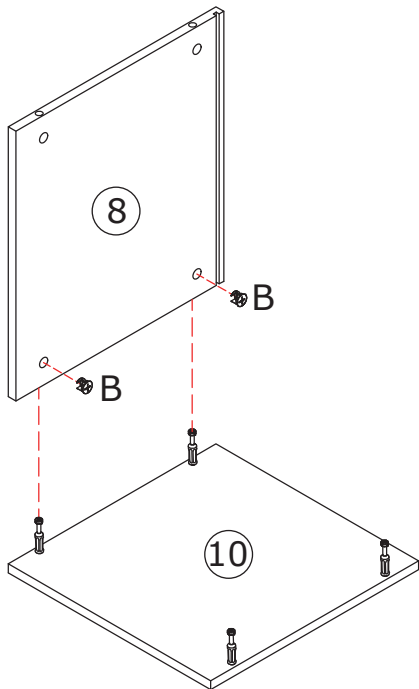
6



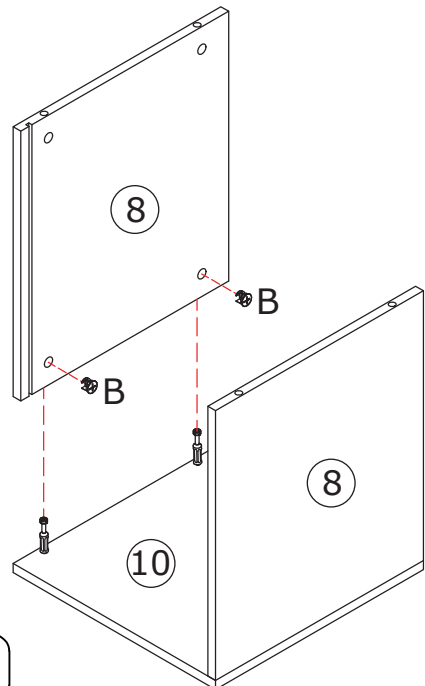
7



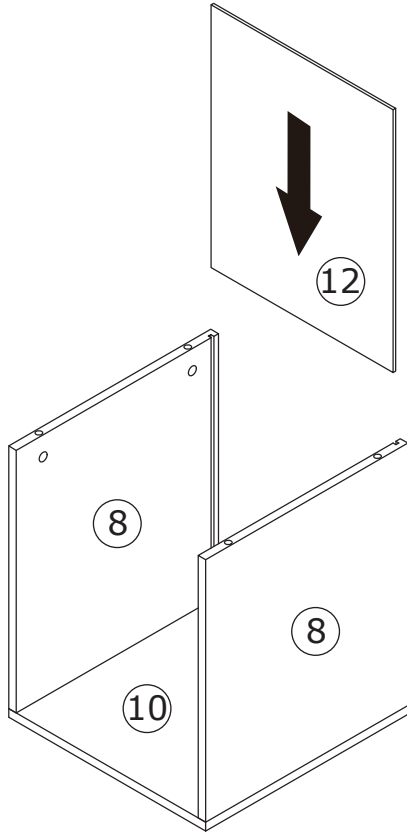
8



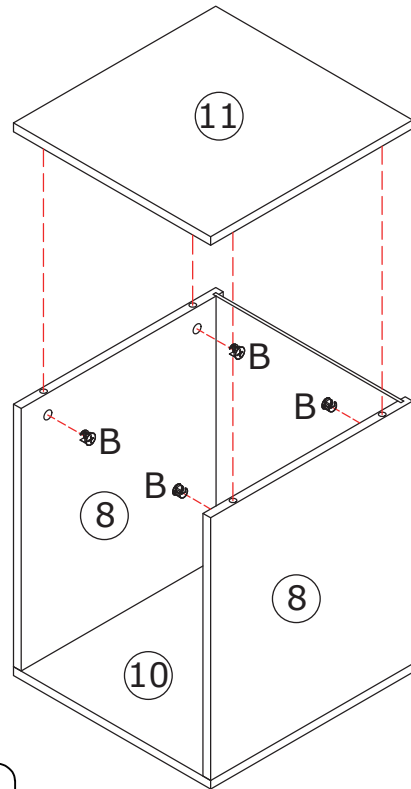
9



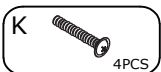
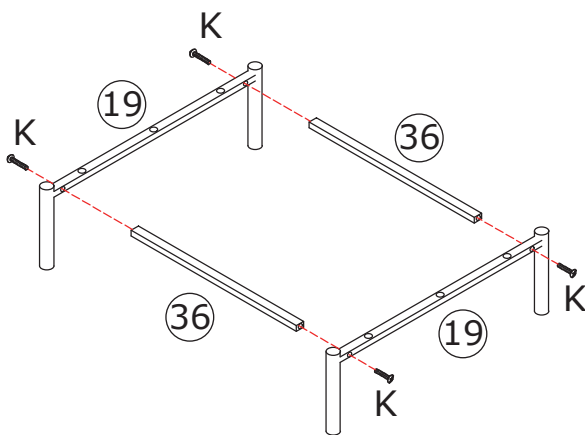
10



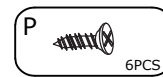
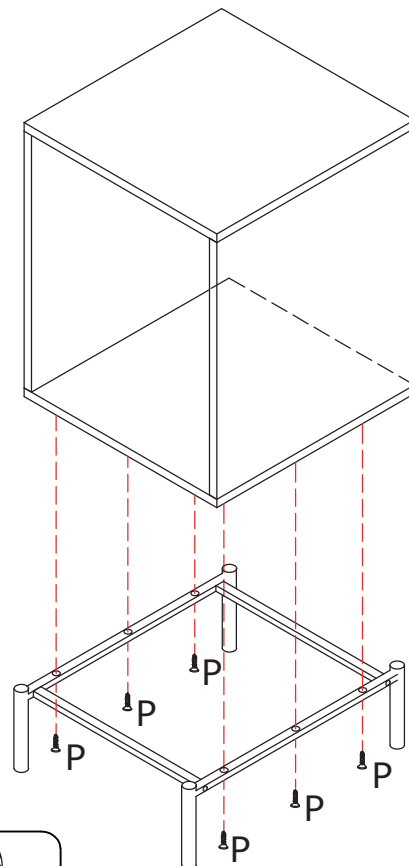
11



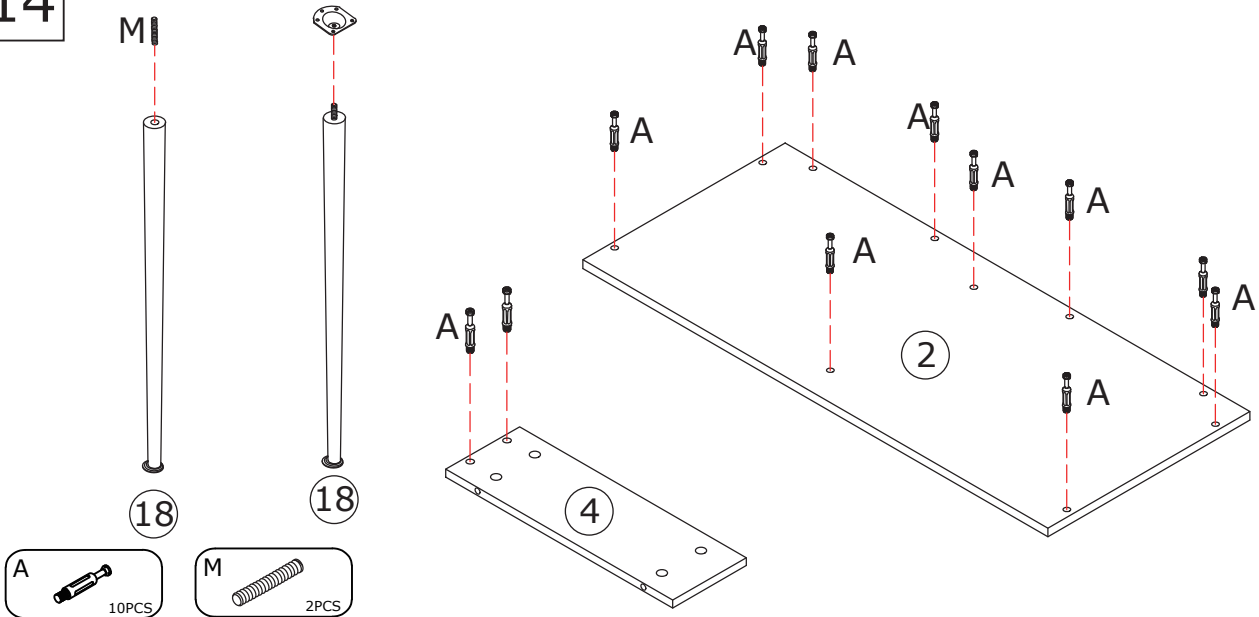
12



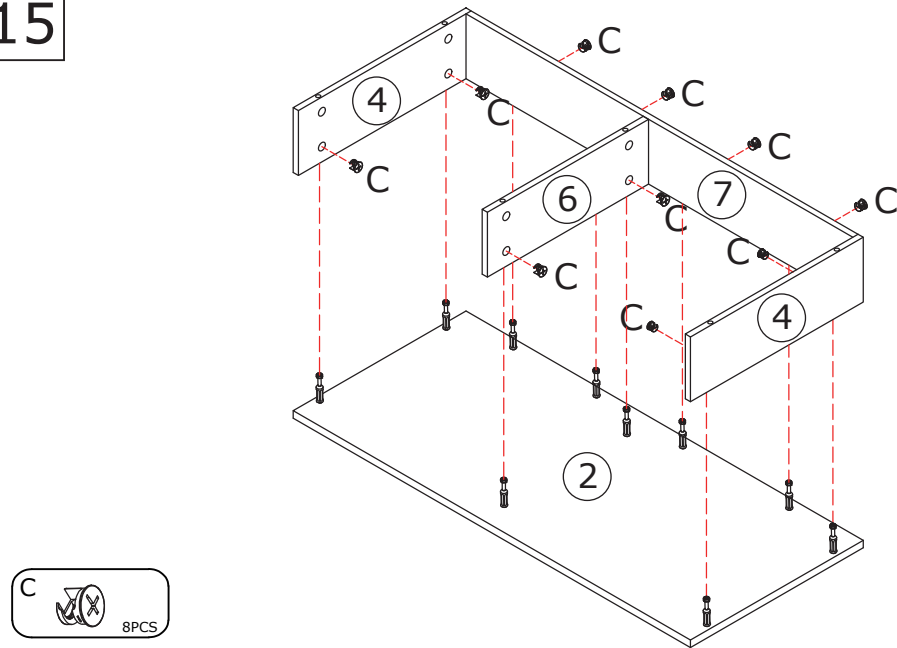
13



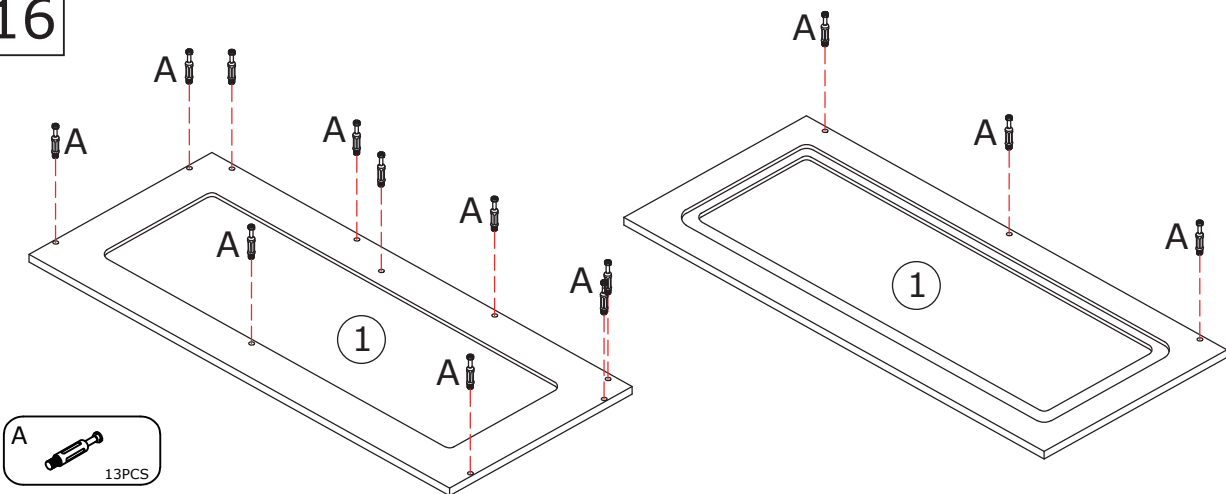
14



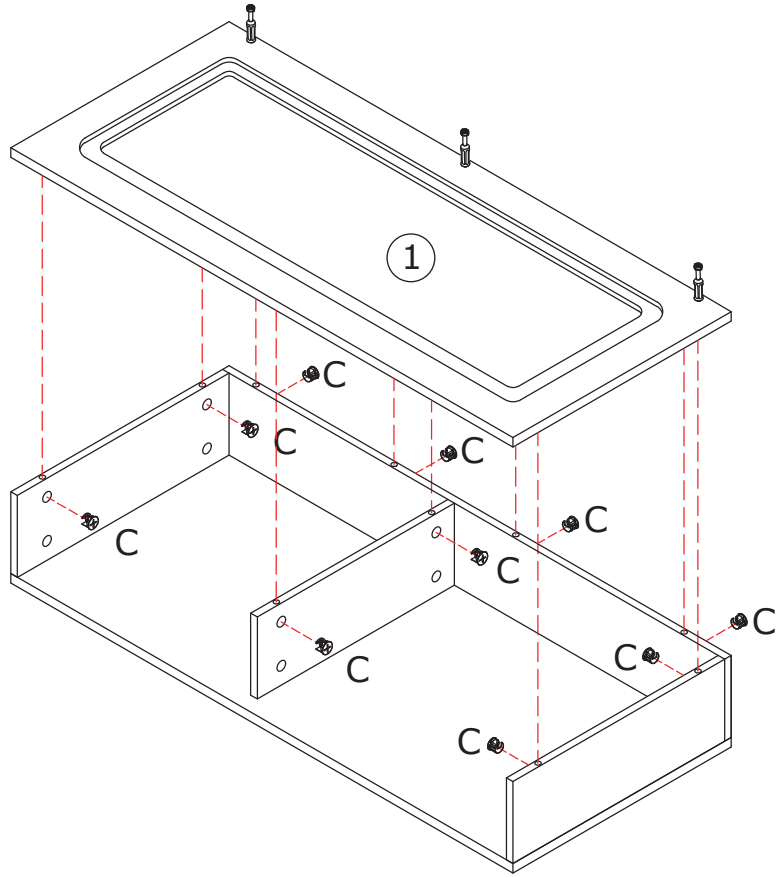
15



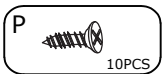
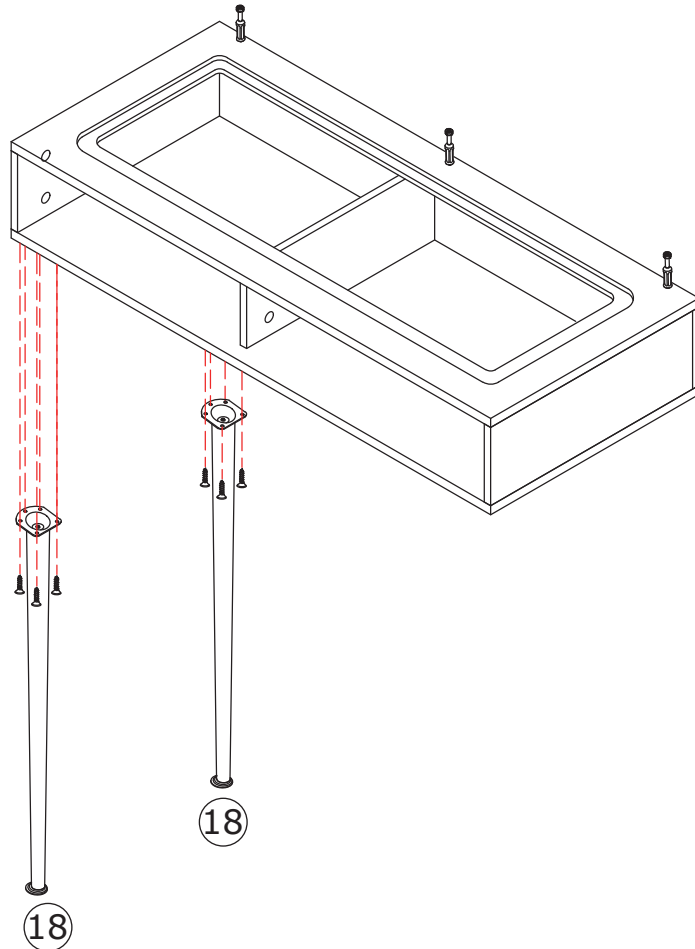
16



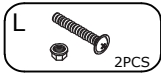
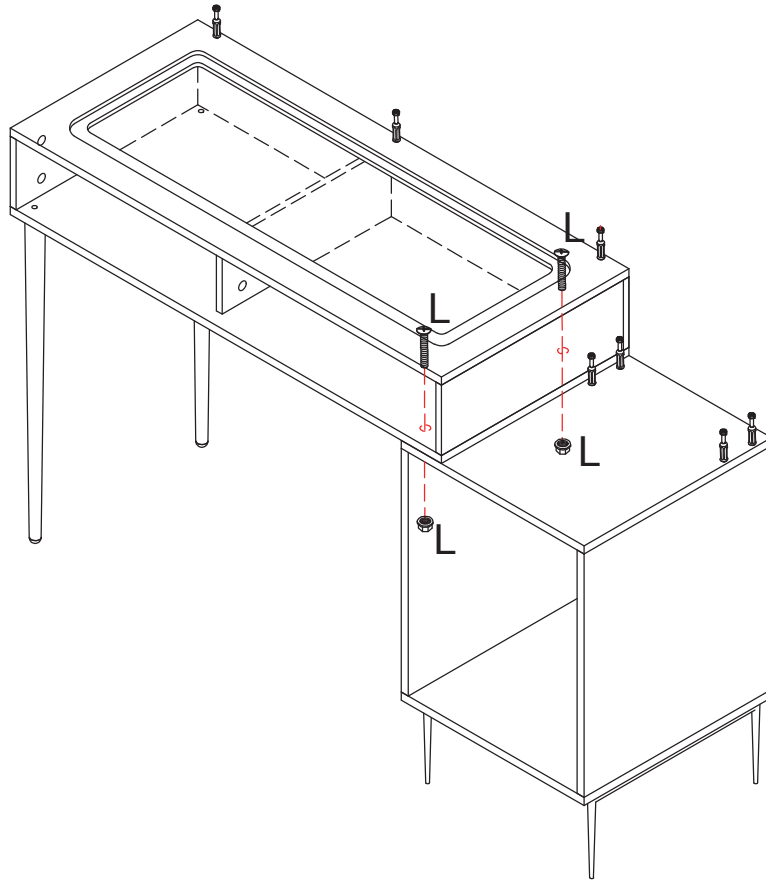
17



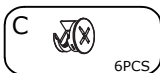
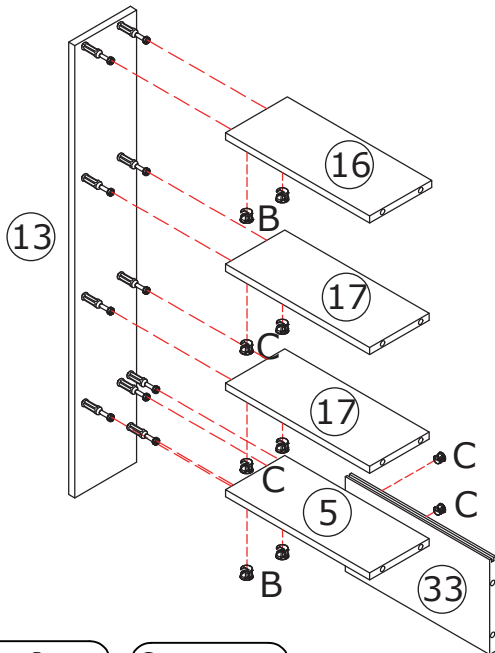
18



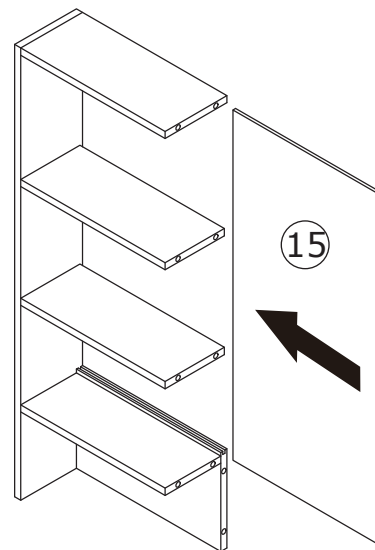
19



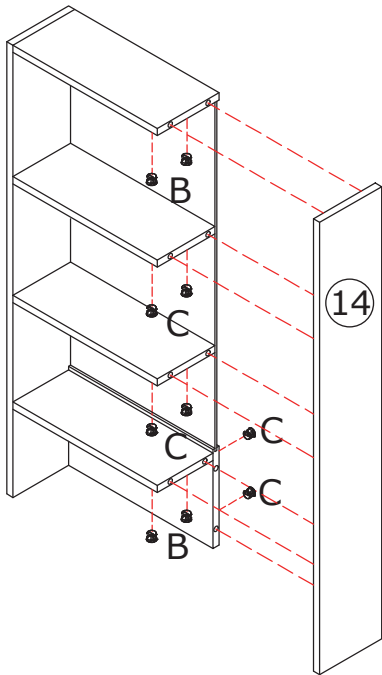
20



21

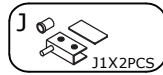
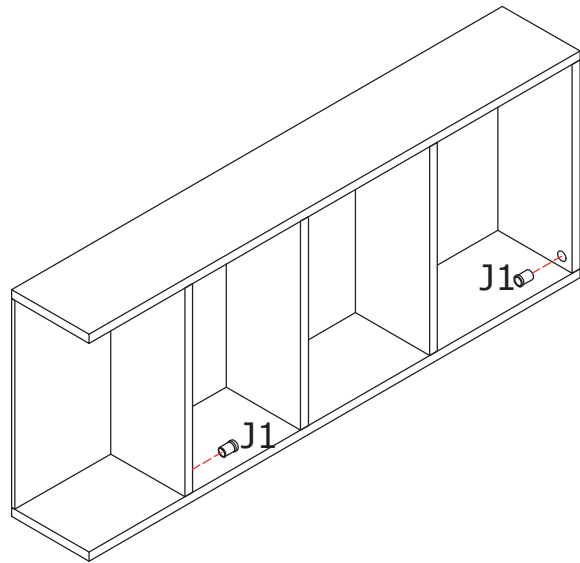


22



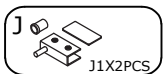
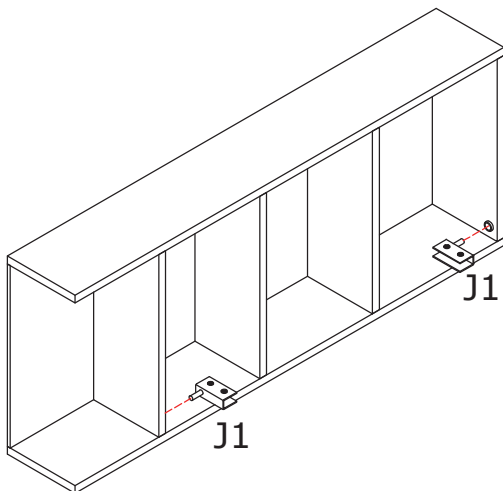
23

Insert the screw into the hole



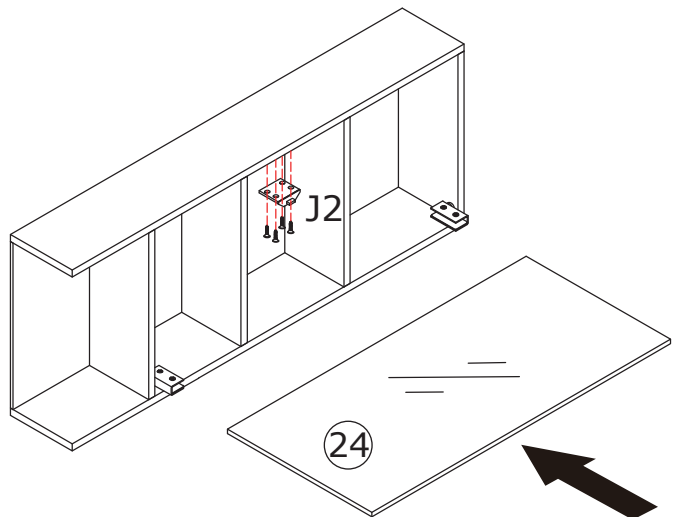
24

Insert the hinge into the screw

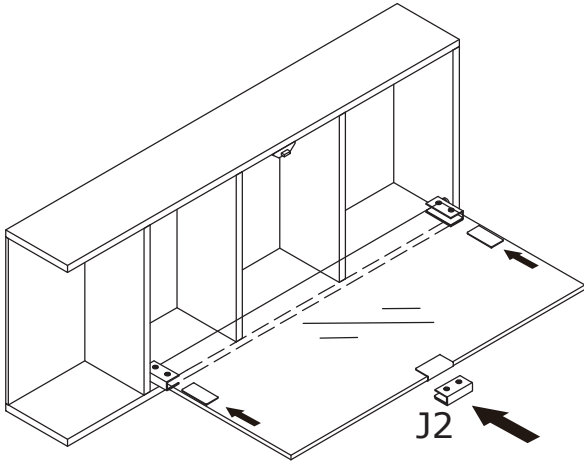


25

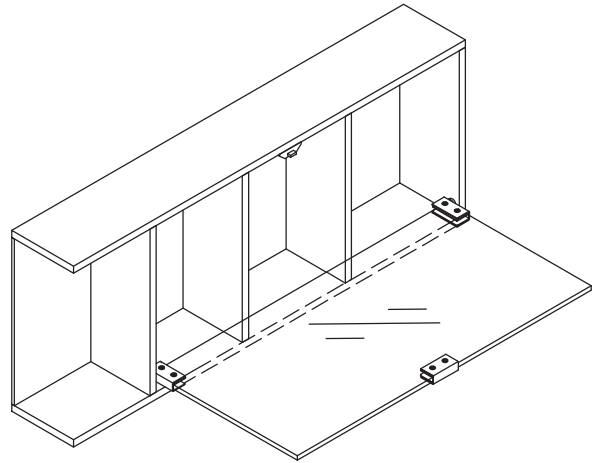
Inserting the glass into the hinge and adjust the position of the glass



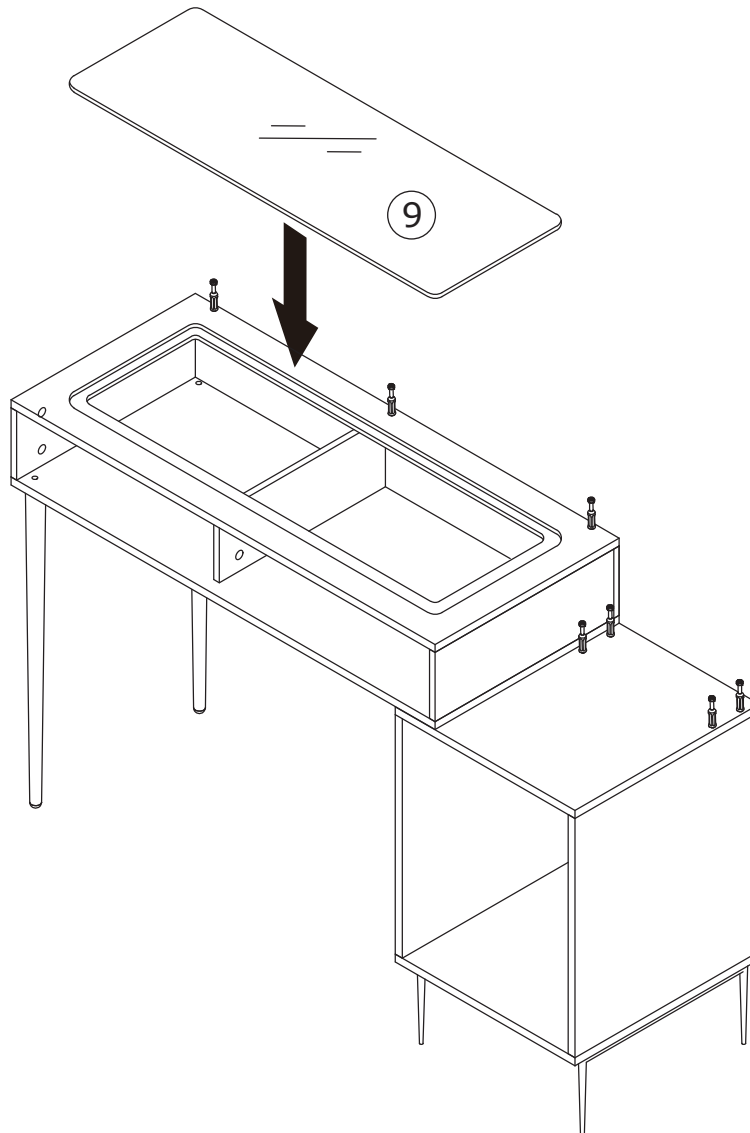
**26** Insert gasket onto the glass  
Insert the hinge(J) into the glass,  
taking care to spacer it.



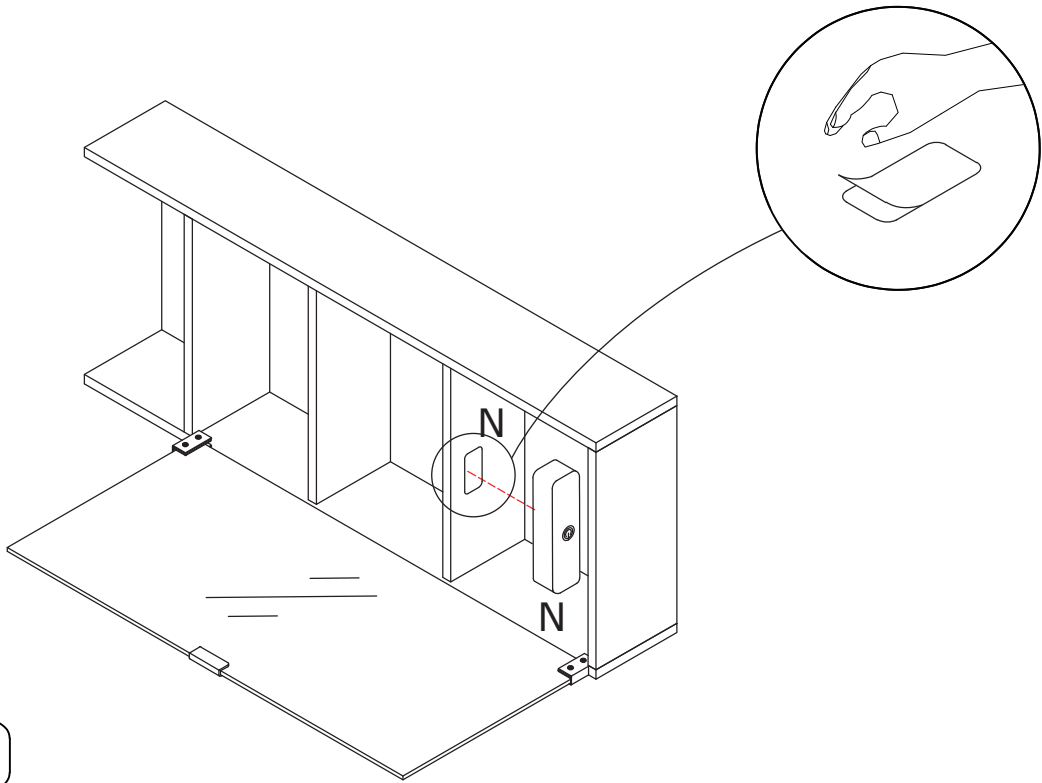
**27** Tighten the screws on the fixtures  
when everything is in place.



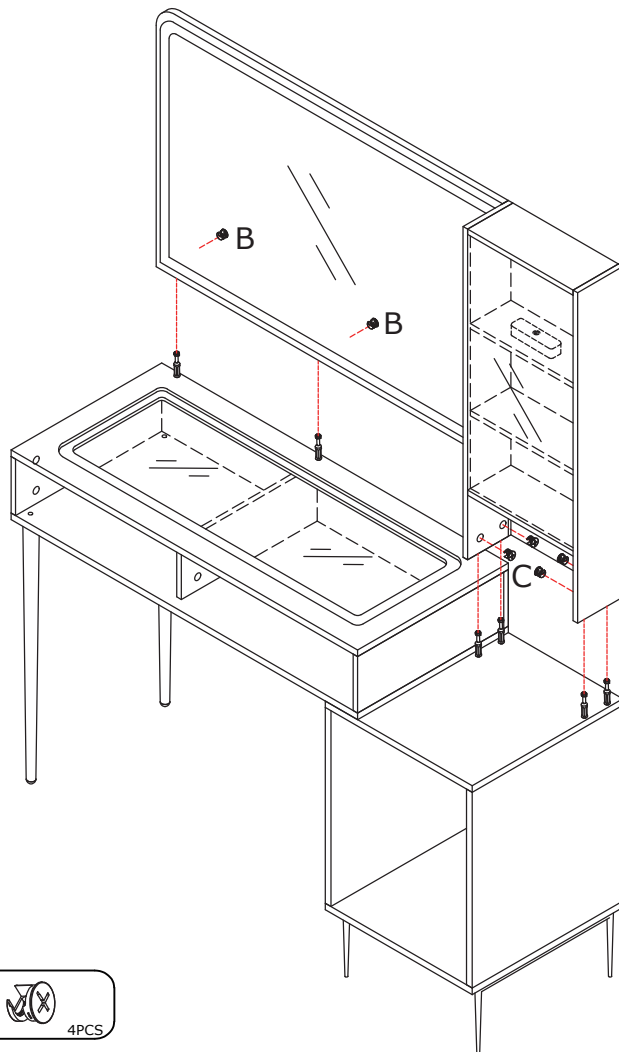
**28**



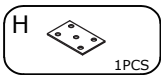
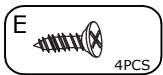
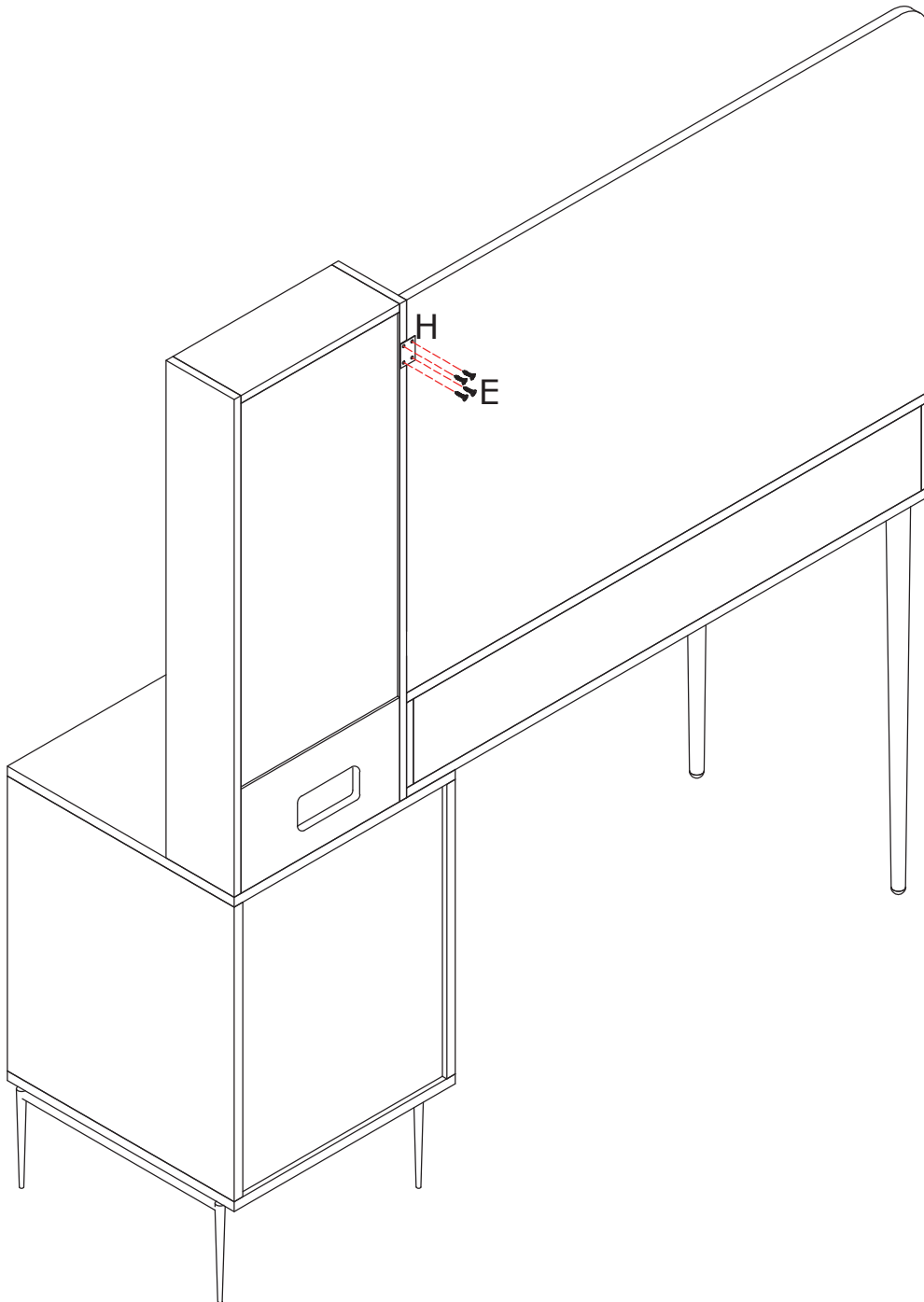
29



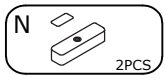
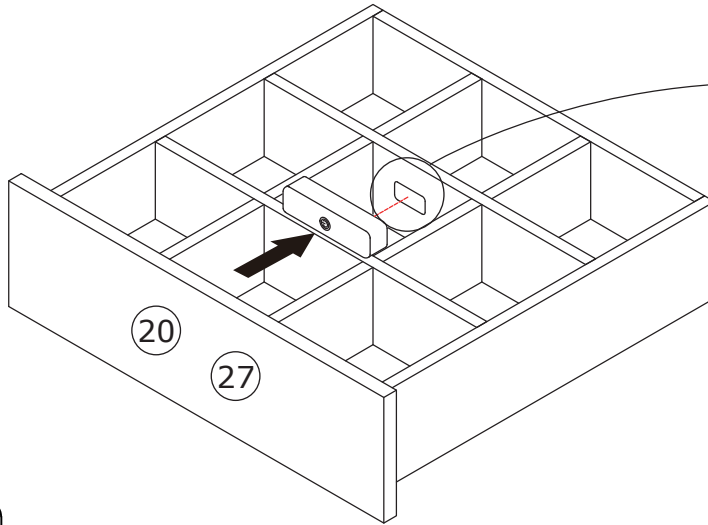
30



31



32



(Night light can be placed in any drawer by itself)

33

