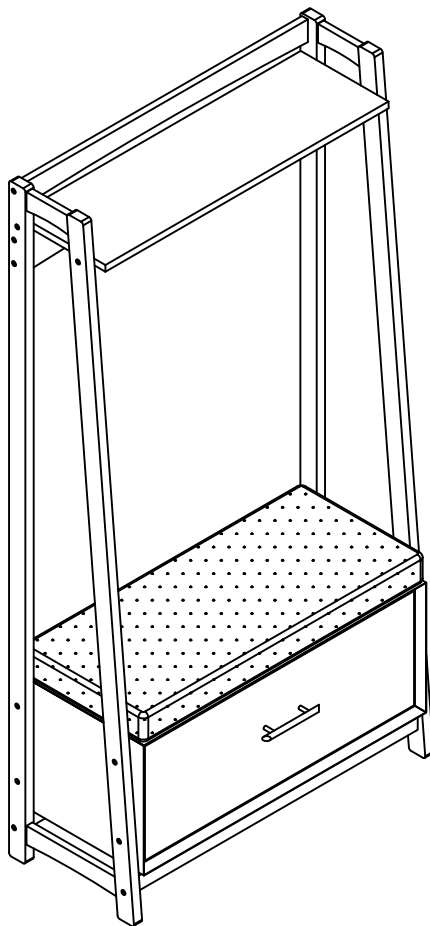


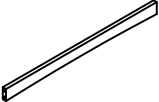
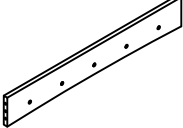
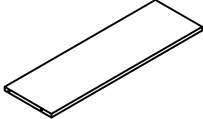
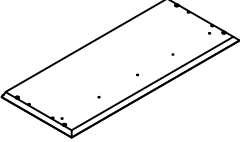
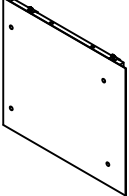
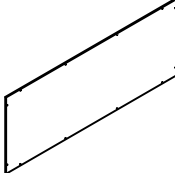
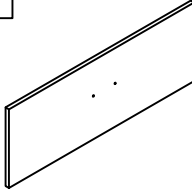
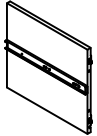
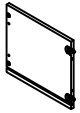
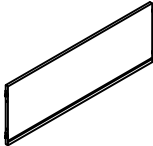
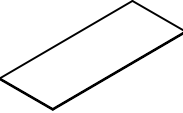
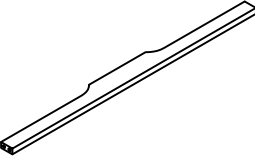
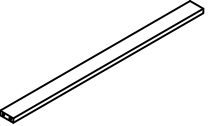
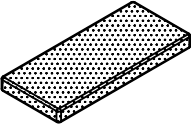

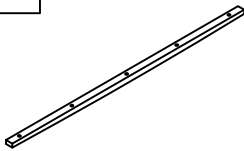
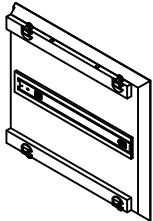
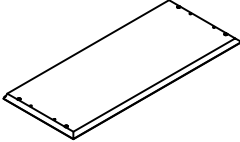





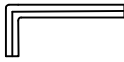




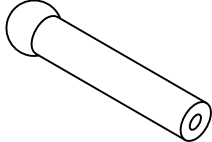
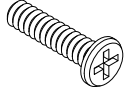

Hall Stand



PART LIST

<p>A</p> 	<p>B</p> 	<p>C</p> 	<p>D</p> 	<p>E</p> 
<p>Left Side Frame 1 PC</p>	<p>Right Side Frame 1 PC</p>	<p>Back Top Rail 1 PC</p>	<p>Back Middle Rail 1 PC</p>	<p>Shelf 1 PC</p>
<p>F</p> 	<p>G</p> 	<p>H</p> 	<p>I</p> 	<p>J</p> 
<p>Top Panel of Cabinet 1 PC</p>	<p>Left Side Panel of Cabinet 1 PCS</p>	<p>Back Panel of Cabinet 1 PC</p>	<p>Front of Drawer 1 PC</p>	<p>Left Side Panel of Drawer 1 PC</p>
<p>K</p> 	<p>L</p> 	<p>M</p> 	<p>N</p> 	<p>O</p> 
<p>Right Side Panel of Drawer 1 PC</p>	<p>Back Panel of Drawer 1 PC</p>	<p>Bottom Panel of Drawer 1 PC</p>	<p>Front Bottom Rail 1 PC</p>	<p>Back Bottom Rail 1 PC</p>
<p>P</p> 	<p>Q</p> 	<p>R</p> 	<p>S</p> 	<p>T</p> 
<p>Cushion 1 PC</p>	<p>Bottom Rail of Drawer 1 PC</p>	<p>Support Rail 1 PC</p>	<p>Right Side Panel of Cabinet 1 PC</p>	<p>Bottom Panel of Cabinet 1 PC</p>

HARDWARE LIST

<div data-bbox="97 143 150 188">#1</div> 	<div data-bbox="378 143 430 188">#2</div>  <p>Ø6x30</p>	<div data-bbox="659 143 711 188">#3</div>  <p>M6x35</p>	<div data-bbox="940 143 992 188">#4</div>  <p>M4</p>	<div data-bbox="1220 143 1273 188">#5</div>  <p>Ø7x2.5x12mm</p>
<p>Safety Strap Kit 1 PC</p>	<p>Small Wood Dowel 19 PCS (Extra 1)</p>	<p>Allen Bolt 23 PCS (Extra 1)</p>	<p>Allen Wrench 1 PC</p>	<p>Screw 13 PCS (Extra 1)</p>
<div data-bbox="97 562 150 607">#6</div> 	<div data-bbox="378 562 430 607">#7</div>  <p>M4x18</p>	<div data-bbox="659 562 711 607">#8</div>  <p>Ø8x40</p>	<div data-bbox="940 562 992 607">#9</div> 	<div data-bbox="1220 562 1273 607">#10</div>  <p>M6x30</p>
<p>Handle 1 PC</p>	<p>Round Head Bolt 2 PCS</p>	<p>Large Wood Dowel 9 PCS (Extra 1)</p>	<p>Hook 5 PCS</p>	<p>Flat Head Bolt 5 PCS</p>
<div data-bbox="97 976 165 1021">#11</div>  <p>D8*Ø4*25</p> <p>Long Screw</p> <p>6PCS (Extra 1)</p>				

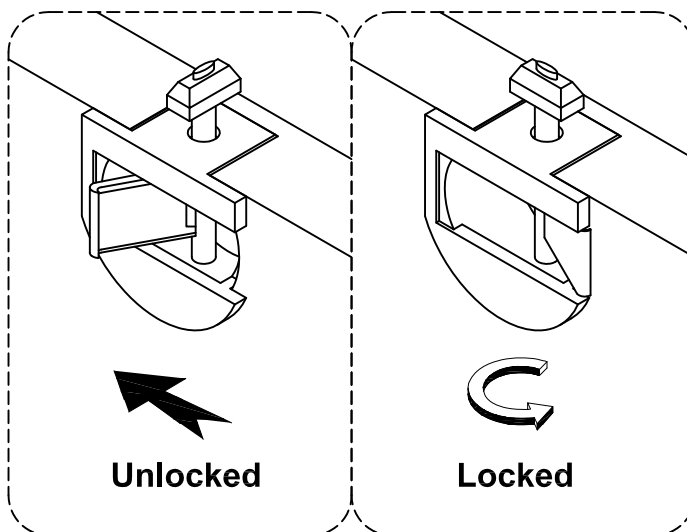
ADDITIONAL TOOLS (Not Provided)

Note: It is not recommended to use power tools during assembly.



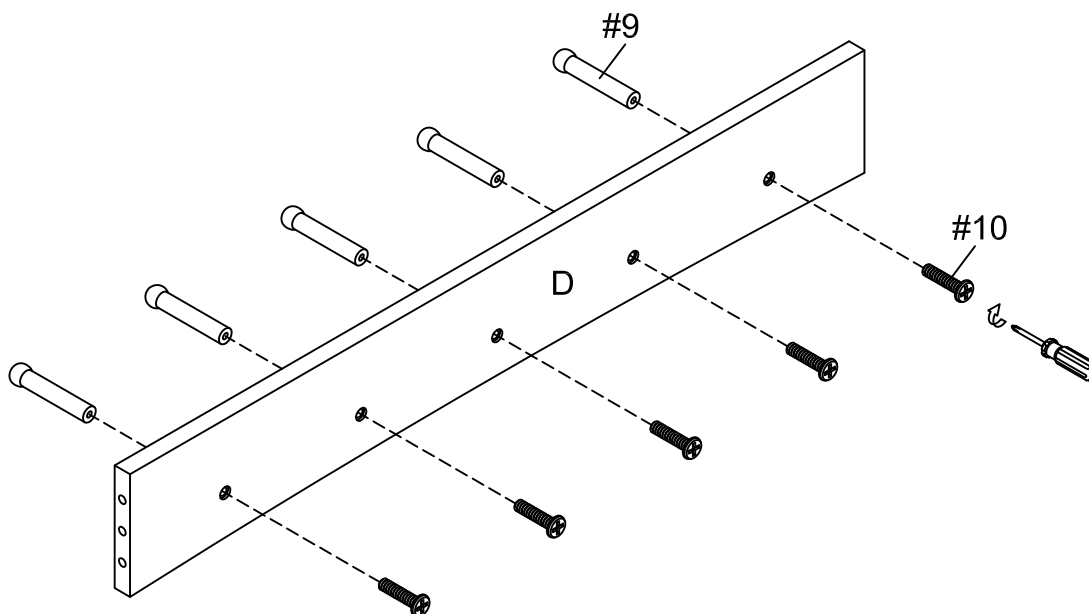
Phillips Head Screwdriver

Please do not use tools to assemble this unit unless specifically indicated.



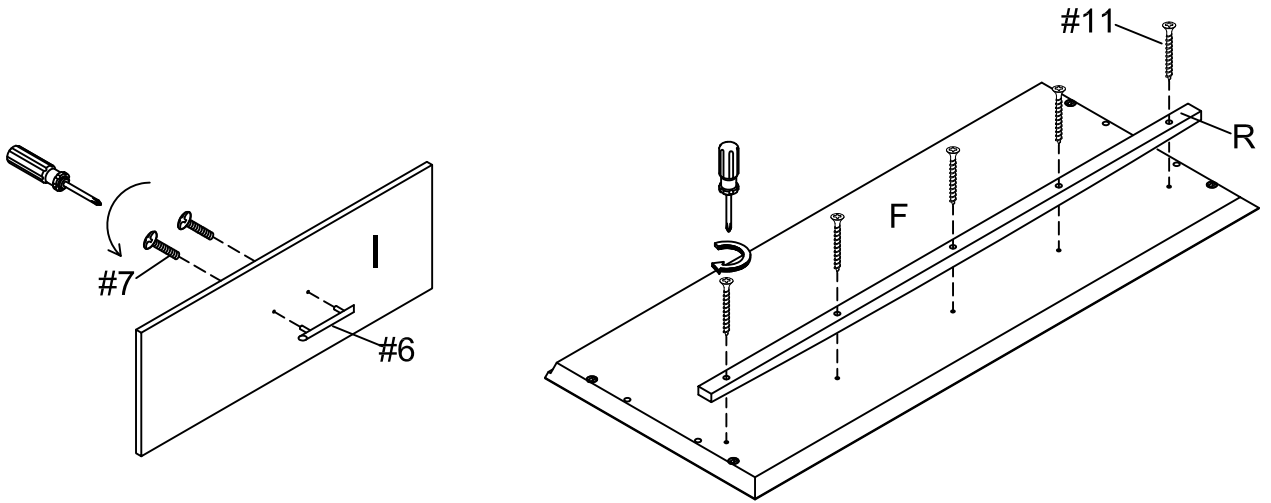
Reference the images above any time the instructions state "lock the hardware".
Note: Be sure to check all hardware is locked when completed.

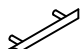


Step 1. Attach hooks (part #9) to back middle rail (part D) using flat head bolts (part #10) and phillips head screwdriver.



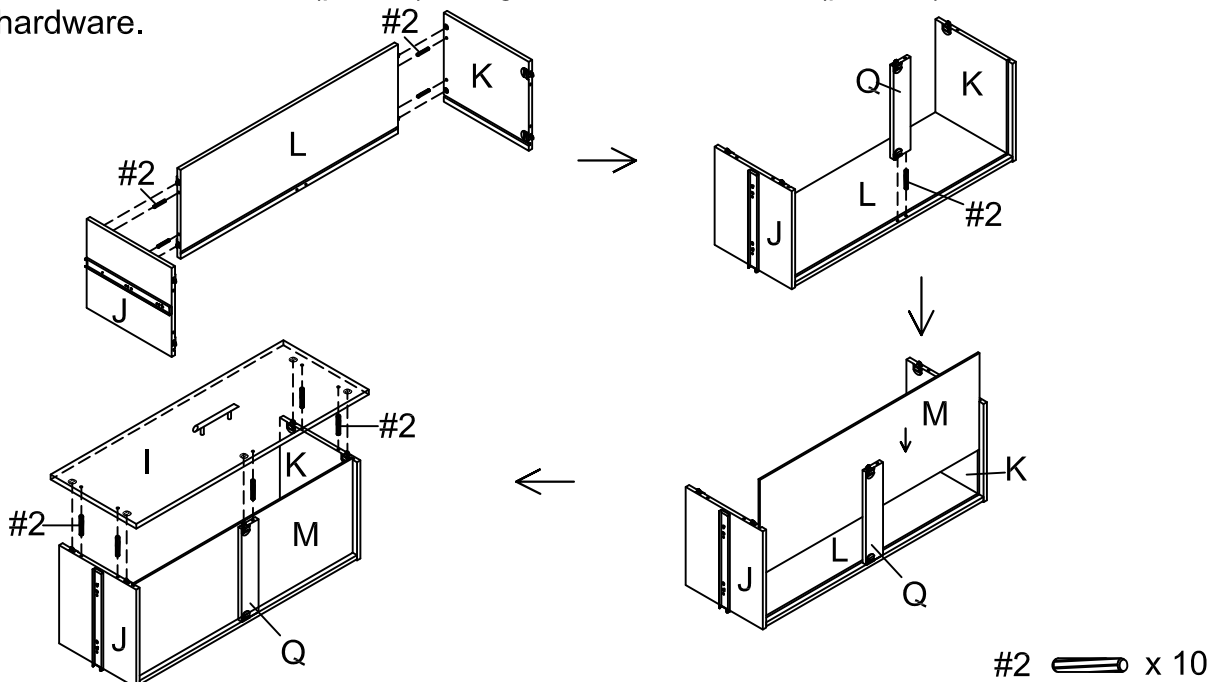
- #9  x 5
- #10  x 5

Step 2. Attach handle (part #6) to front of drawer (part I) using round head bolts (part #7) and phillips head screwdriver.
 Attach support rail (part R) to top panel of cabinet (part F) using long screws (part #11) and phillips head screwdriver.

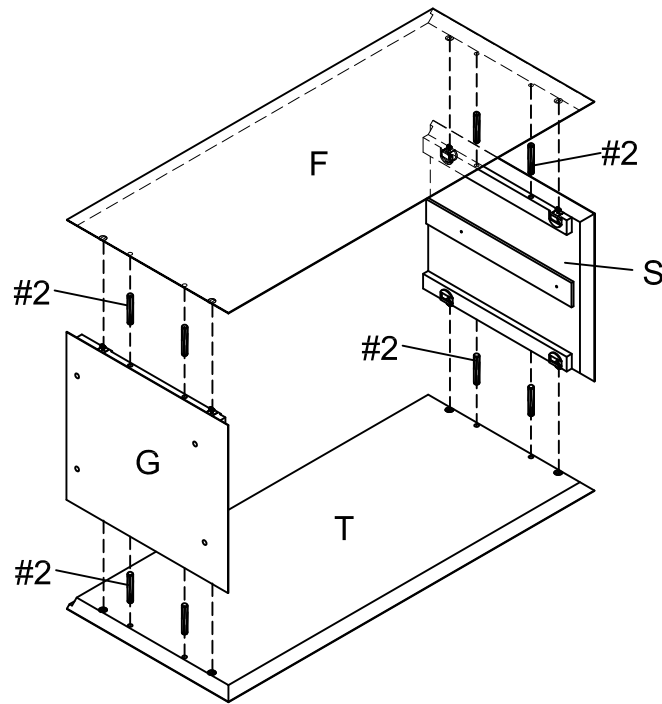


- #6  x 1
- #7  x 2
- #11  x 5

Step 3. Attach left side panel of drawer (part J) and right side panel of drawer (part K) to back panel of drawer (part L) using small wood dowels (part #2) and lock the hardware. Attach bottom rail of drawer (part Q) to back panel of drawer (part L) using small wood dowel (part #2) and lock the hardware. Slide bottom panel of drawer (part M) into the grooves of left side panel of drawer (part J) and right side panel of drawer (part K). Attach front of drawer (part I) to left side panel of drawer (part J), right side panel of drawer (part K), bottom panel of drawer (part M) and bottom rail of drawer (part Q) using small wood dowels (part #2) and lock the hardware.

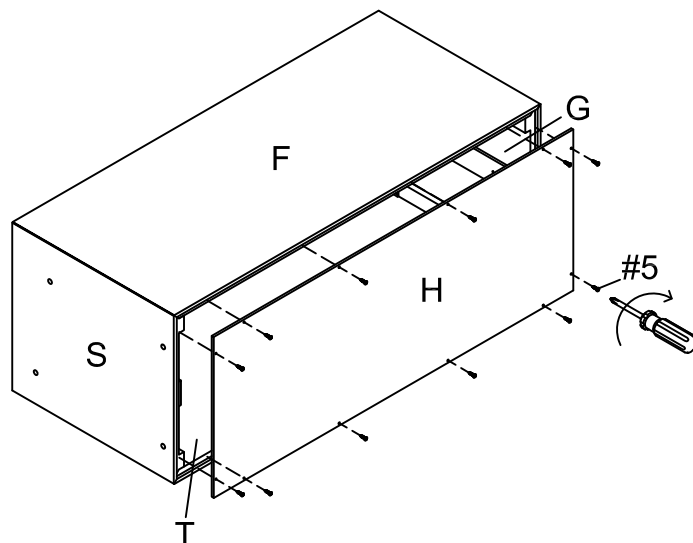


Step 4. Attach left side panel of cabinet (part G) and right side panel of cabinet (part S) to top panel of cabinet (part F) and bottom panel of cabinet (part T) using small wood dowels (part #2) and lock the hardware.



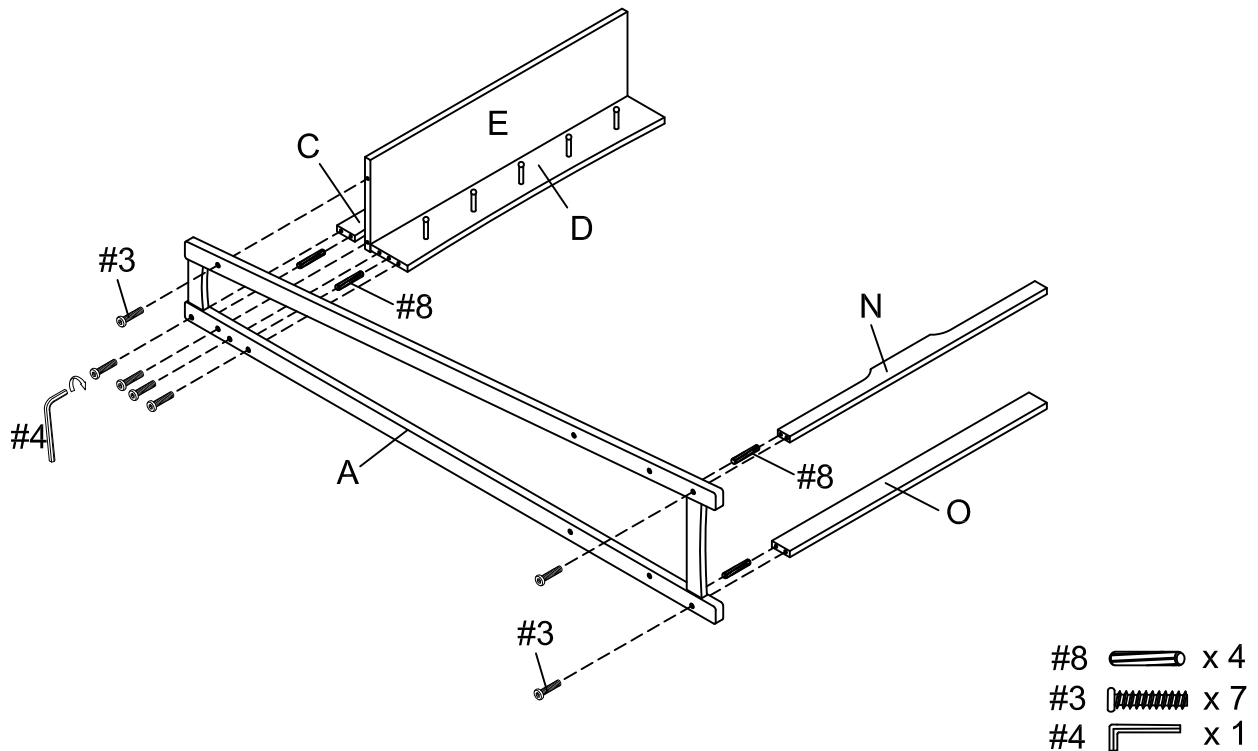
#2  x 8

Step 5. Carefully turn unit around, and attach back panel of cabinet (part H) to top panel of cabinet (part F), bottom panel of cabinet (part T), left side panel of cabinet (part G) and right side panel of cabinet (part S) using screws (part #5) and phillips head screwdriver.

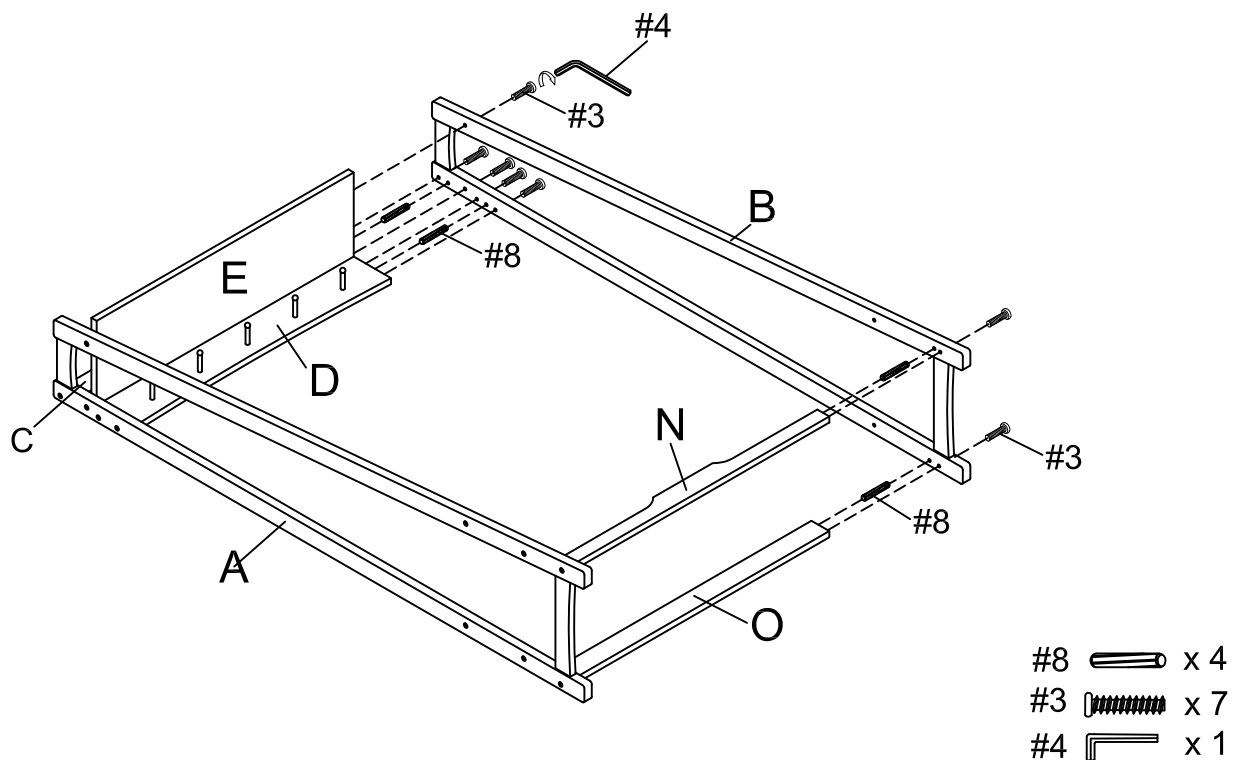


#5  x 12

Step 6. Attach back top rail (part C), shelf (part E), back middle rail (part D), back bottom rail (part O) and front bottom rail (part N) to left side frame (part A) using large wood dowels (part #8), allen bolts (part #3) and allen wrench (part #4).
 Note: Do not completely tighten all allen bolts (part #3), until later on.

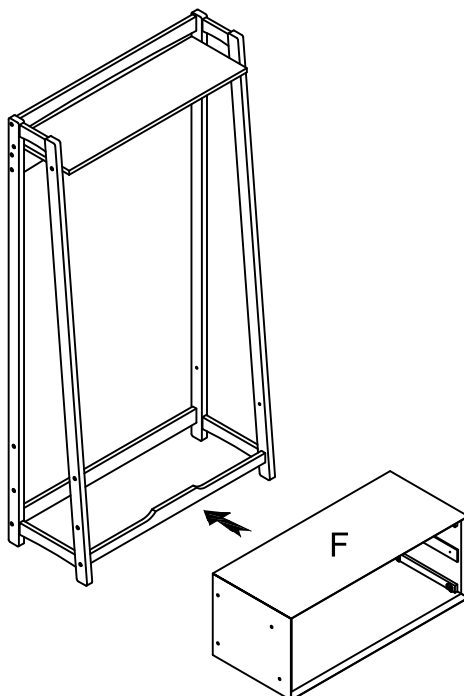


Step 7. Attach back top rail (part C), shelf (part E), back middle rail (part D), back bottom rail (part O) and front bottom rail (part N) to right side frame (part B) using large wood dowels (part #8), allen bolts (part #3) and allen wrench (part #4).
 Note: Do not completely tighten all allen bolts (part #3), until later on.

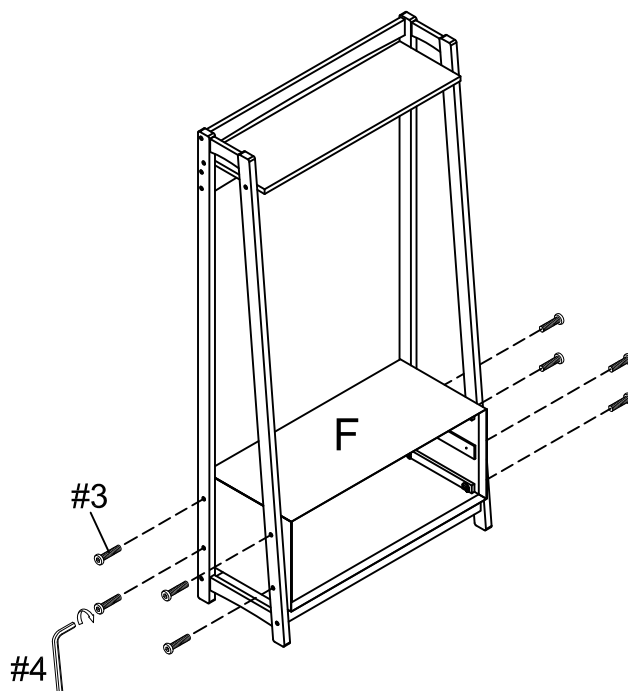


Step 8. Insert the cabinet box into hall stand.

Note: Make sure all allen bolts are not completely tightened, or the cabinet box will not fit inside.



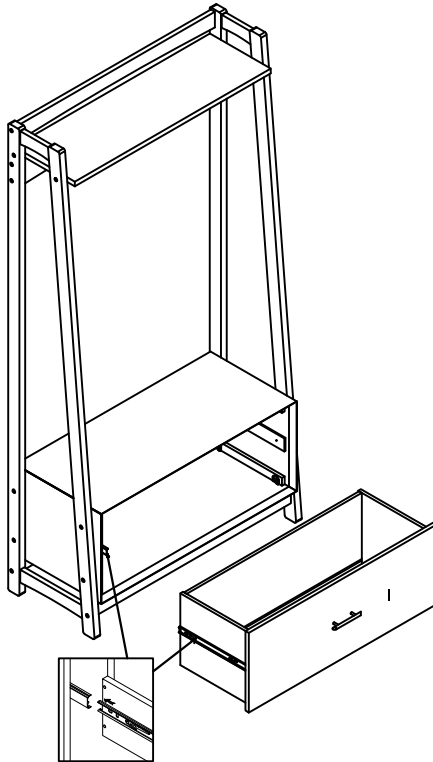
Step 9. Attach cabinet box to hall stand using allen bolts (part #3) and allen wrench (part #4). Tighten all allen bolts at this time.



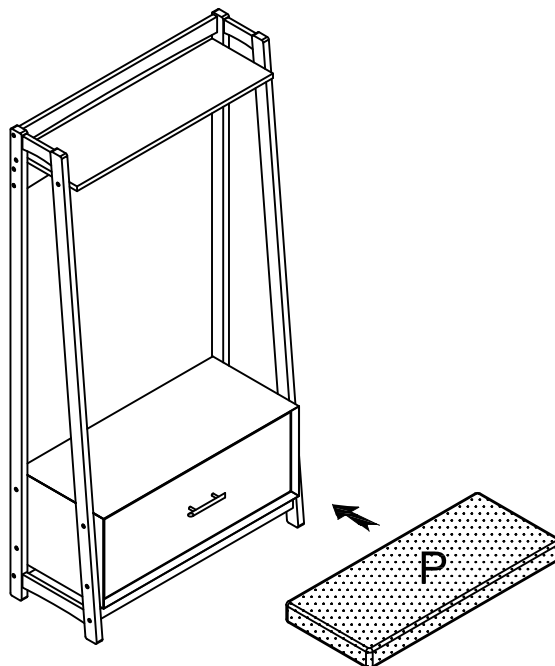
#3  x 8

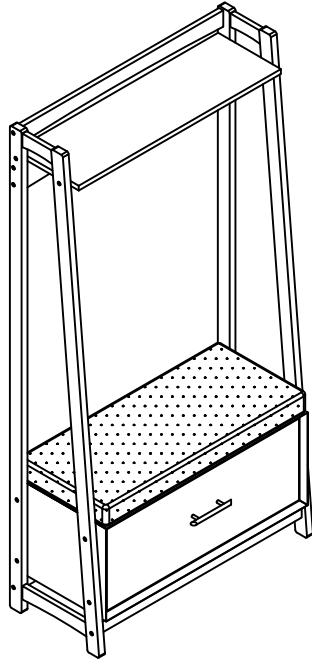
#4  x 1


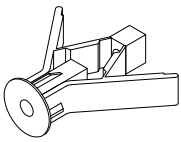

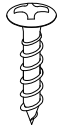
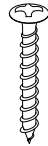
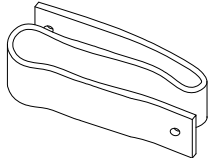
Step 10. Insert drawer into cabinet box.



Step 11. Put the cushion (part P) into place.





	<p style="text-align: center;">A</p> 	<p style="text-align: center;">B</p> 	<p style="text-align: center;">C</p> 	<p style="text-align: center;">D</p> 	<p style="text-align: center;">E</p> 
<p>Safety Strap Kit 1 PC</p>	<p>Wall Anchor A x 1 PC</p>	<p>Washer B x 2 PCS</p>	<p>D8*3/4" Short Screw C x 1 PC</p>	<p>D8*1-1/2" Long Screw D x 1 PC</p>	<p>Safety Wall Strap E x 1 PC</p>

SAFETY STRAP WALL ASSEMBLY INSTRUCTION

1) Insert short screw (part C) through washer (part B) and safety wall strap (part E), and attach to shelf (part E) using Phillips head screwdriver.

2) Drill a 11/32"(6mm) hole where you want to secure the unit. The drilled hole will be at the same height as the hole in shelf (part E) where the safety strap is attached. Tap wall anchor (part A) into the hole.

3) Insert long screw (part D) through washer (part B) and safety wall strap (part E) into wall anchor (part A) using a Phillips head screwdriver.

