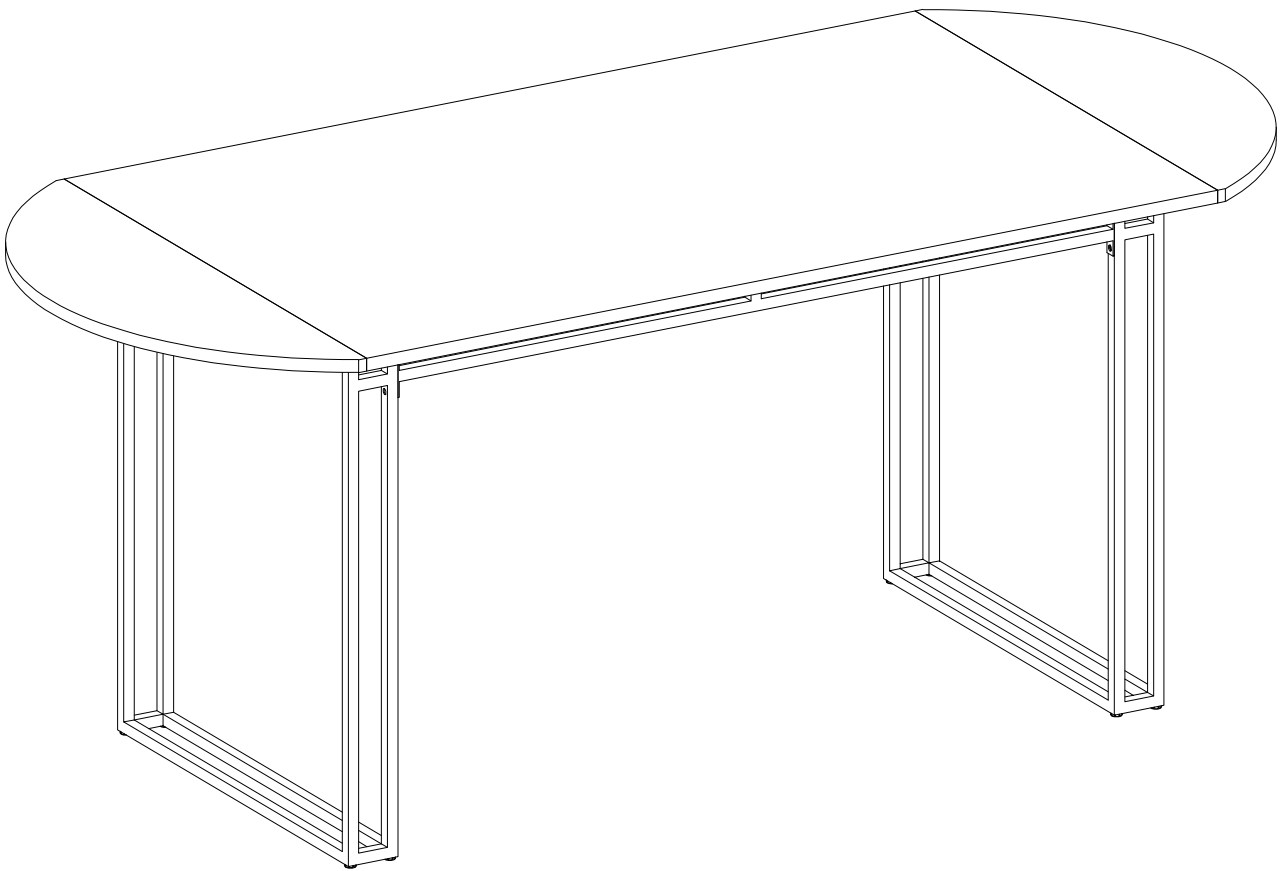
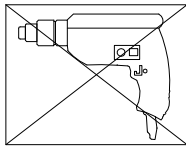


Assembly Instructions



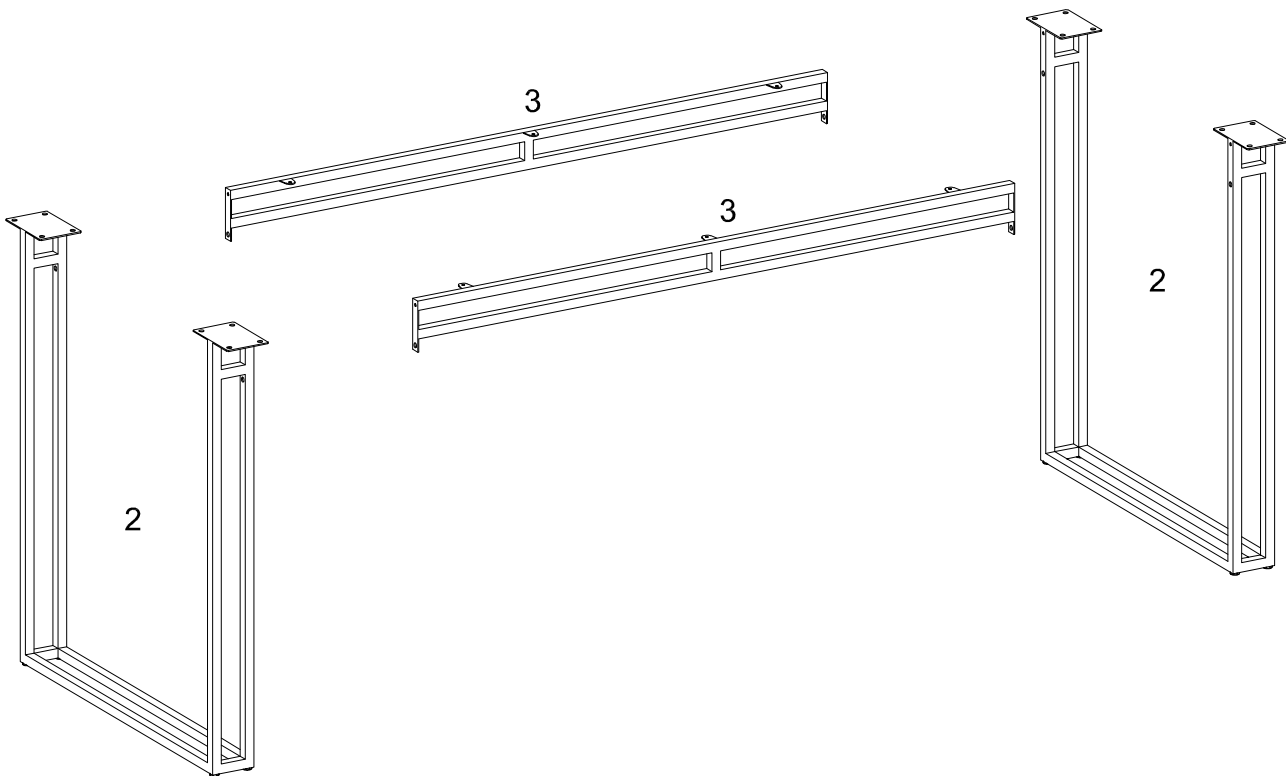
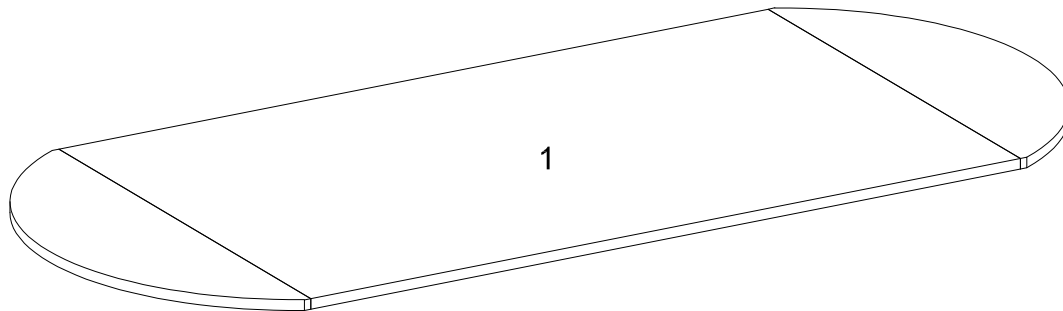
General Assembly Guidelines

- I. Ensure that all parts and hardware are available before beginning assembly.
- II. Follow each step carefully to ensure the proper assembly of this product.
- III. Two people are recommended for ease in the assembly of this product.
- IV. The main type of hardware used to assemble this product are: bolts and screws.
- V. Power tools should not be used to assemble this product.


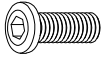
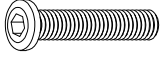






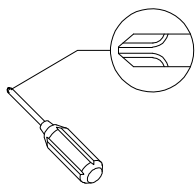
- VI. Drill may be needed for securing product to wall.

Parts List



Hardware List

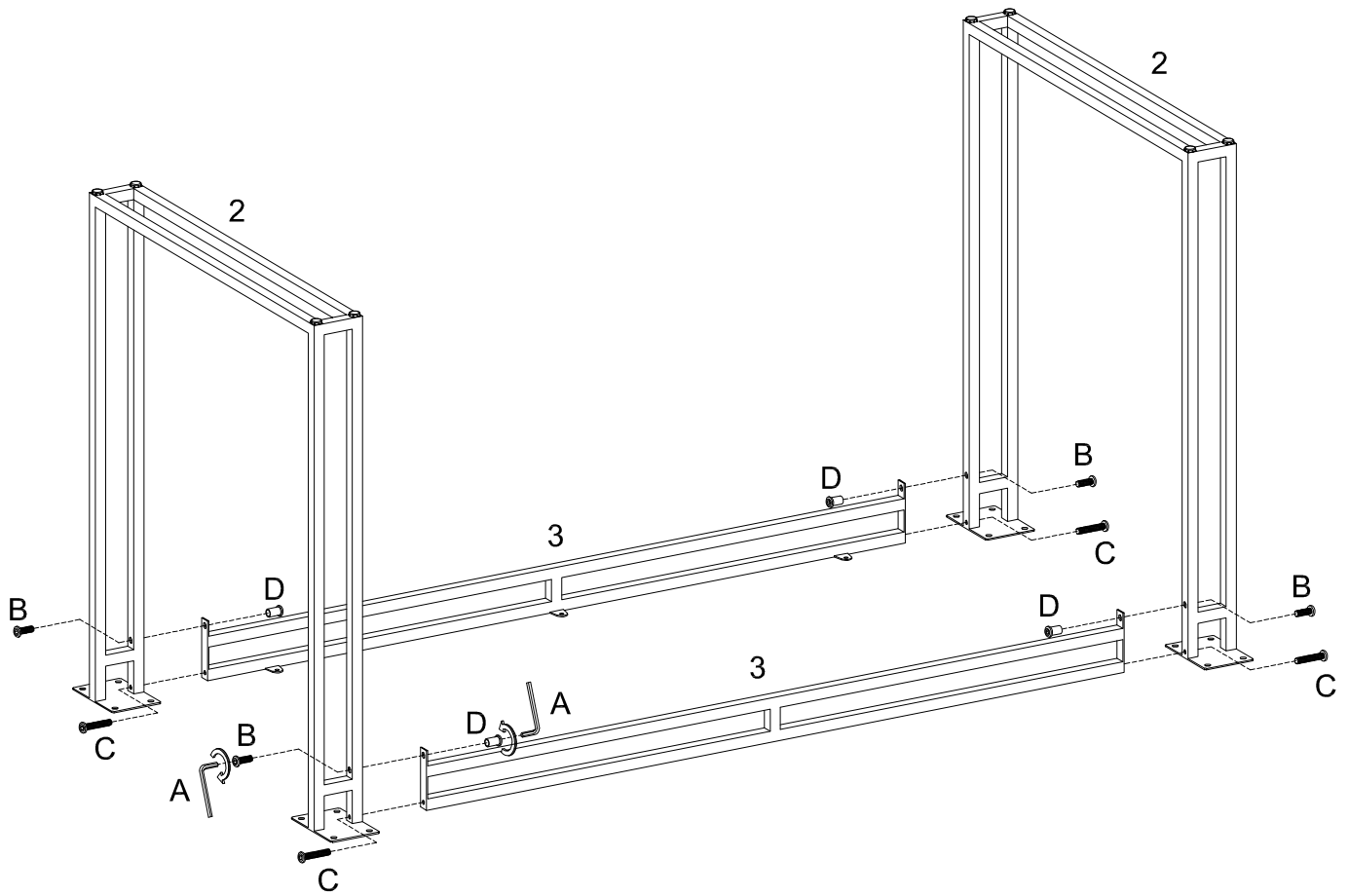
A		M4	Hex key	2 pcs
B		M6x16mm	Bolt	20 pcs
C		M6x30mm	Bolt	4 pcs
D		M6x14mm	Bolt	4 pcs
E		Ø4x16mm	Screw	6 pcs
F			Lock washer	16 pcs
G			Flat washer	16 pcs



Philips head screwdriver required for assembly
(not included)

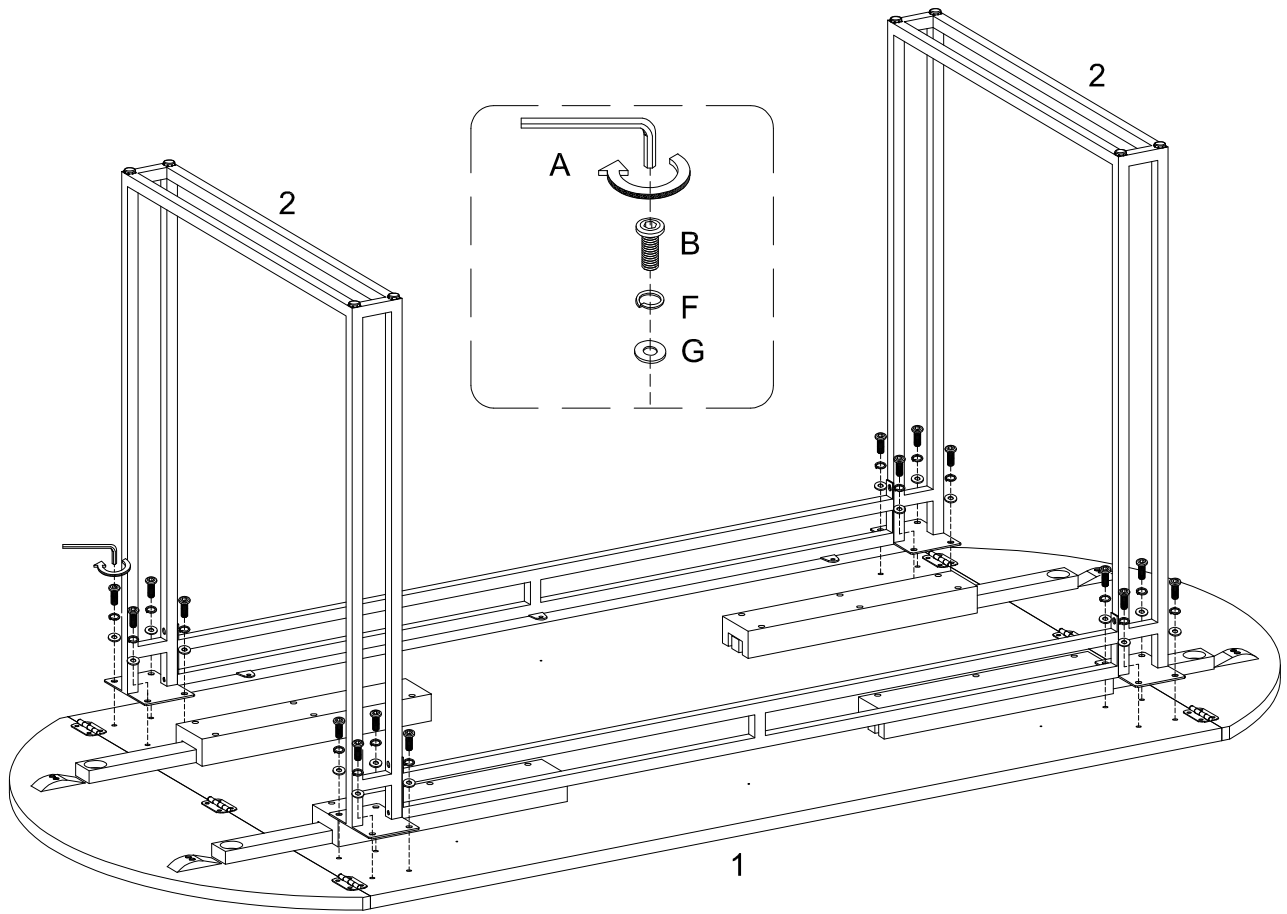
*The hardware quantities listed above are required for proper assembly.
Some extra hardware may also have been included.*

Step 1



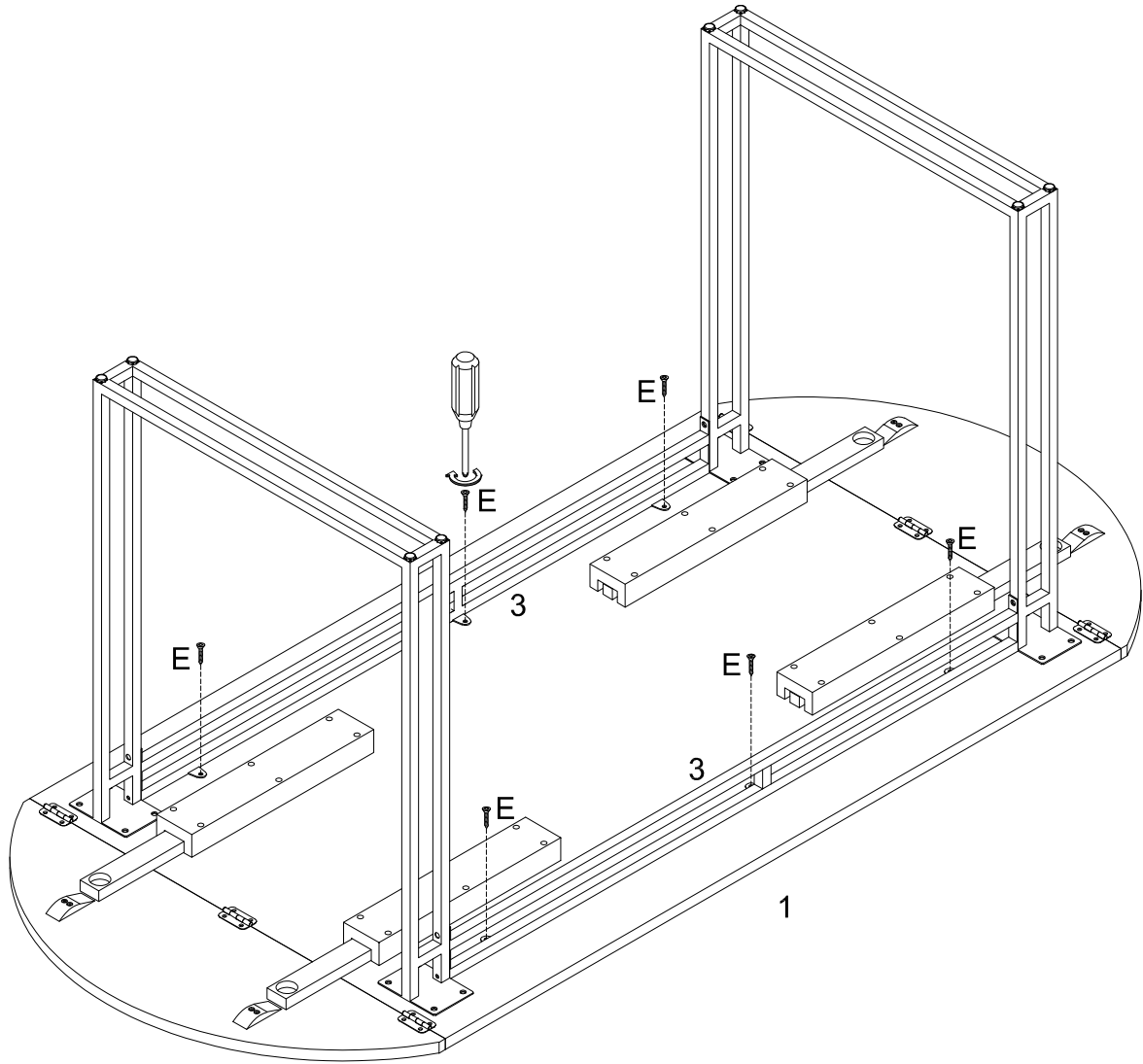
Using Bolts (B,C) attach part (2) to part (3) , then using Bolt (D) attach part (3) to part (2) with Hex key (A) as per diagram.

Step 2



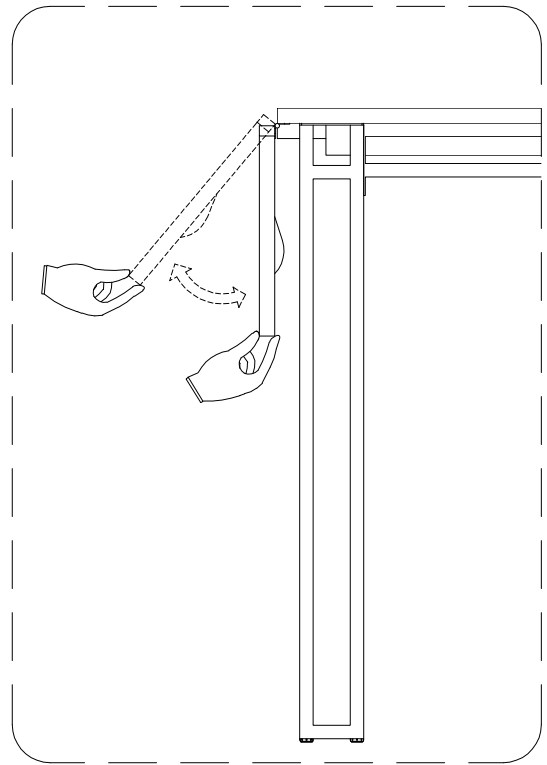
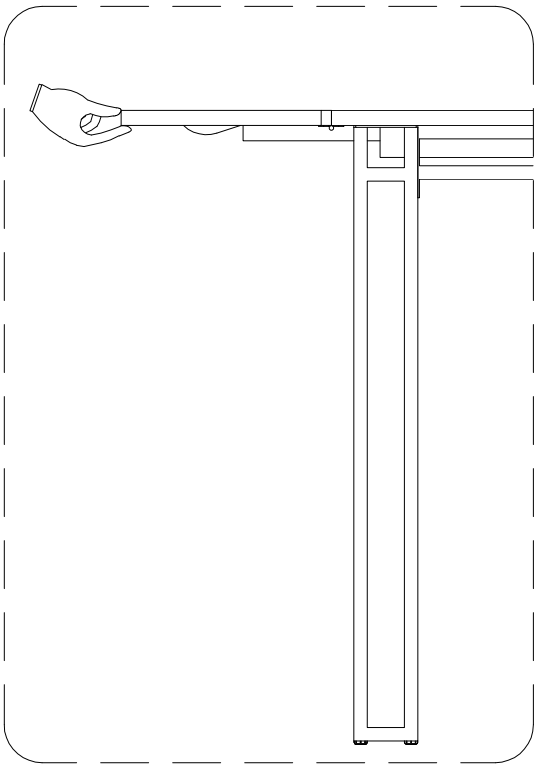
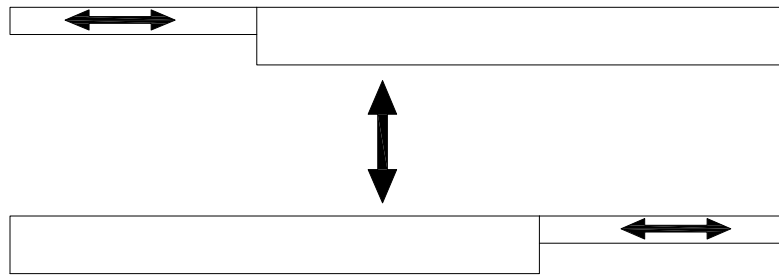
Using Bolt (B) attach lock washer (F) and flat washer (G) into part (2) to part (1) with Hex key (A) as per diagram.

Step 3



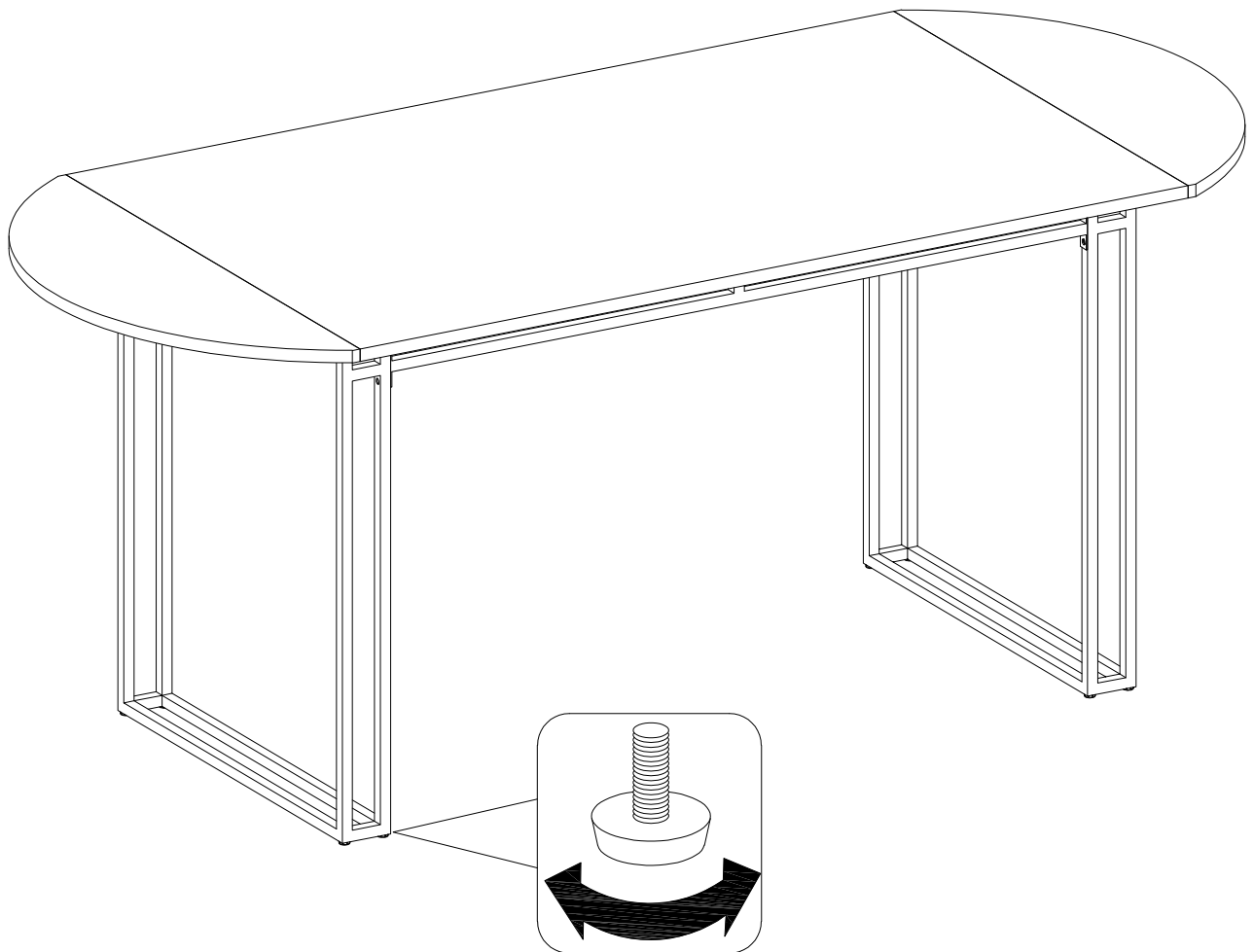
Using screw (E) secure part (3) to part (1) with Philips head screwdriver as per diagram.

Step 4



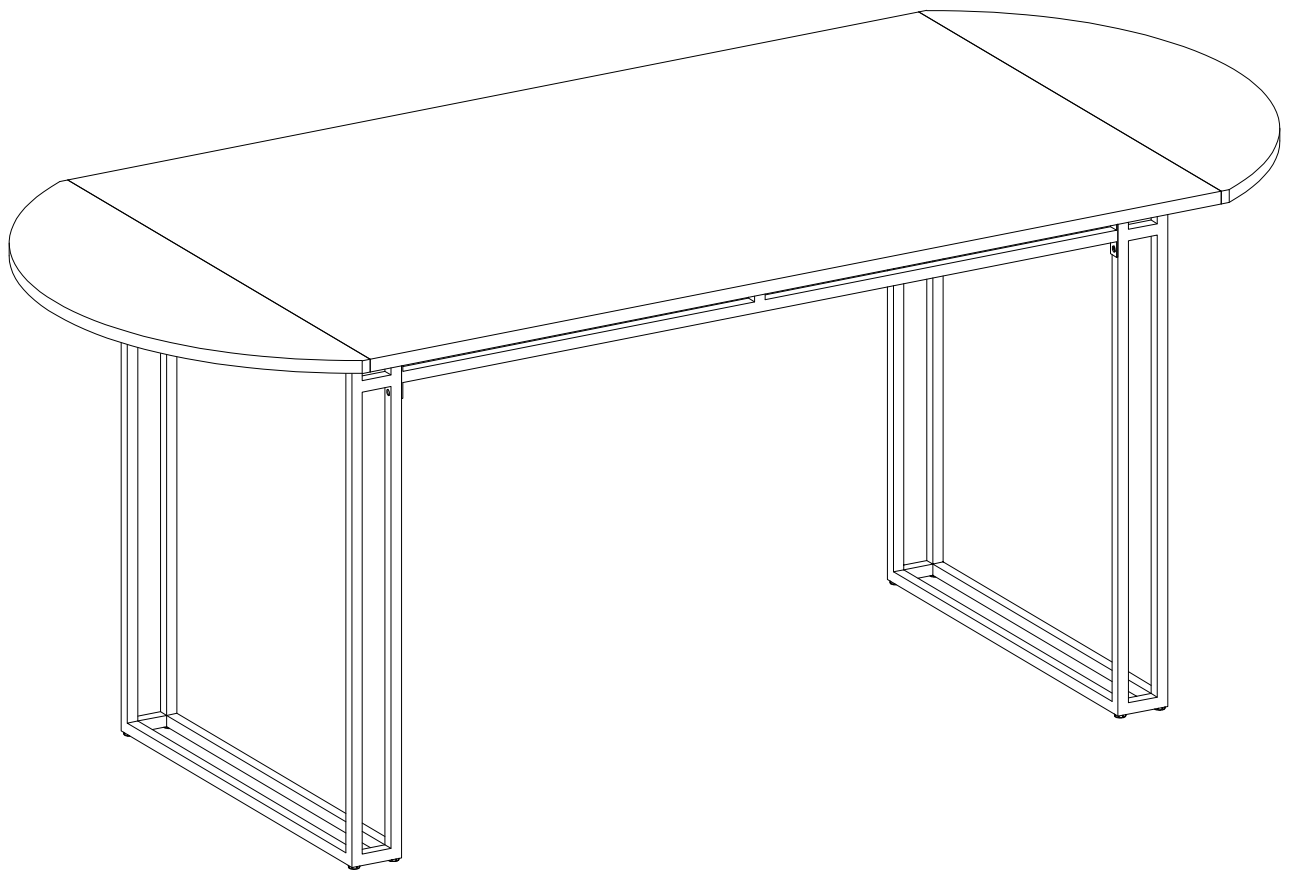
Lift up the leaf ,pull out the leaf support on the plastic pad to keep the leaf in the same level with the main panel ,if you want to fold the leaf .Lift up the leaf and push the leaf support into the wooden lock completely and lay down the leaf lightly .

Step 5



Position the assembled unit at the desired location ,if necessary adjust the floor leveler at the bottom of the leg to level the unit .

Step 6



Final Assembly