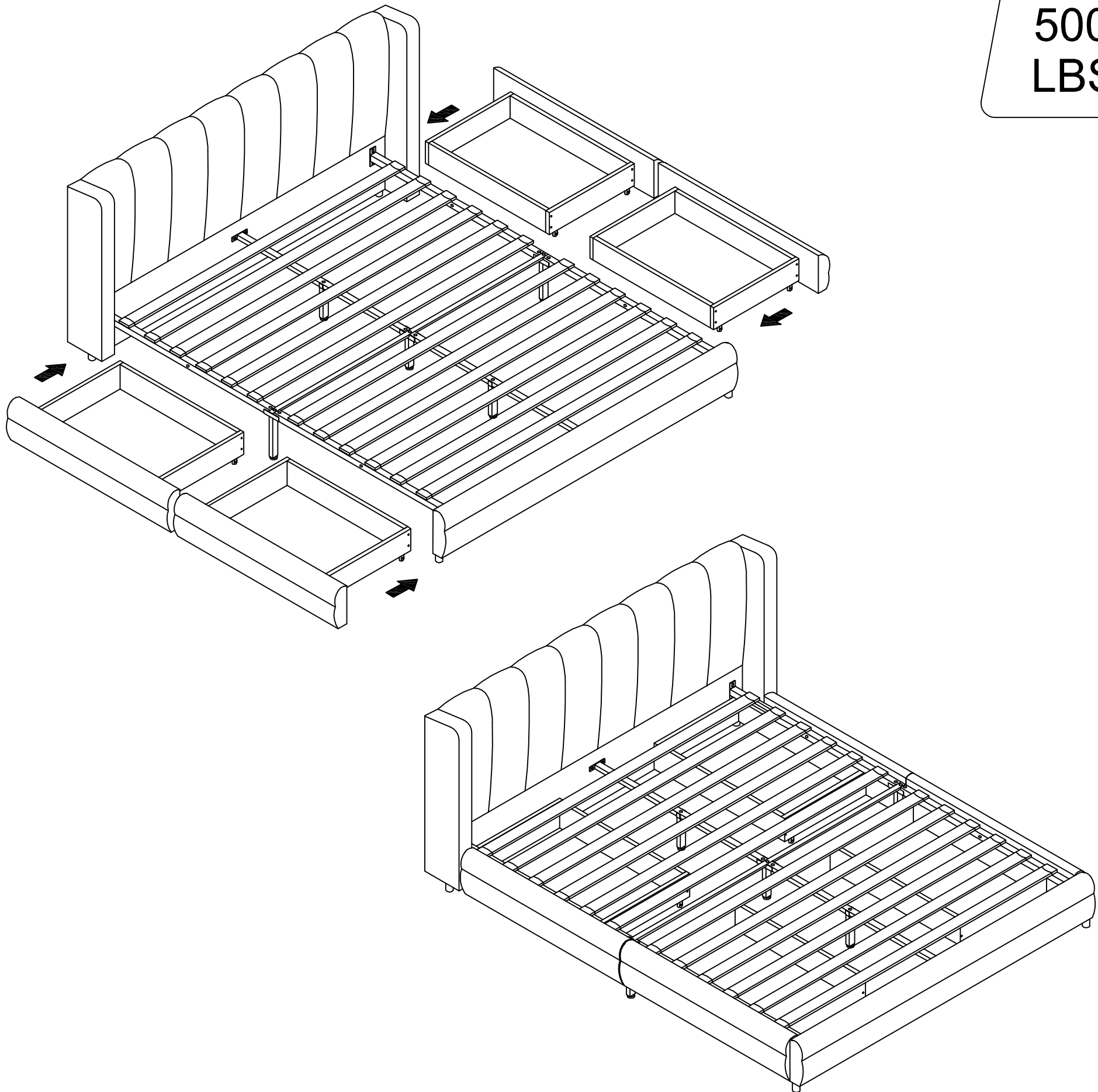
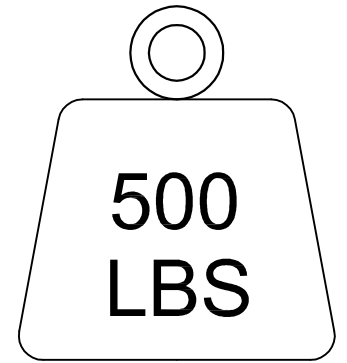


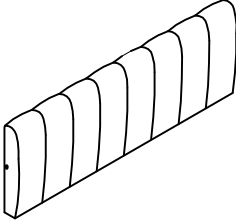
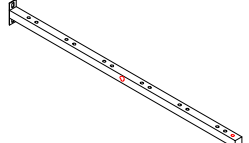
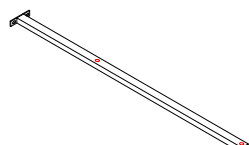
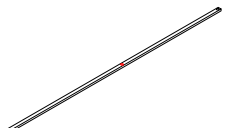
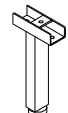
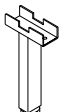
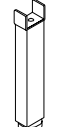
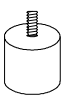
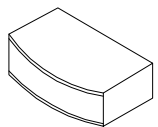
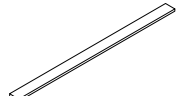
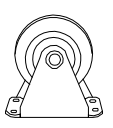
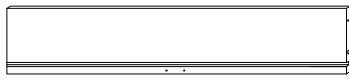

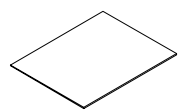
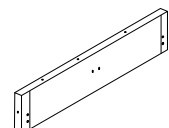
ASSEMBLY INSTRUCTIONS

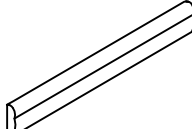
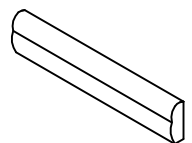



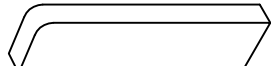
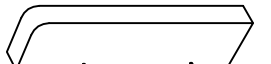
2622 Q1


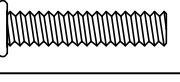


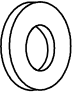
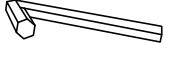
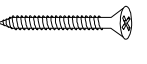

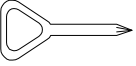
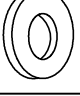



Install all screws according to the instructions,
and then tighten them completely.

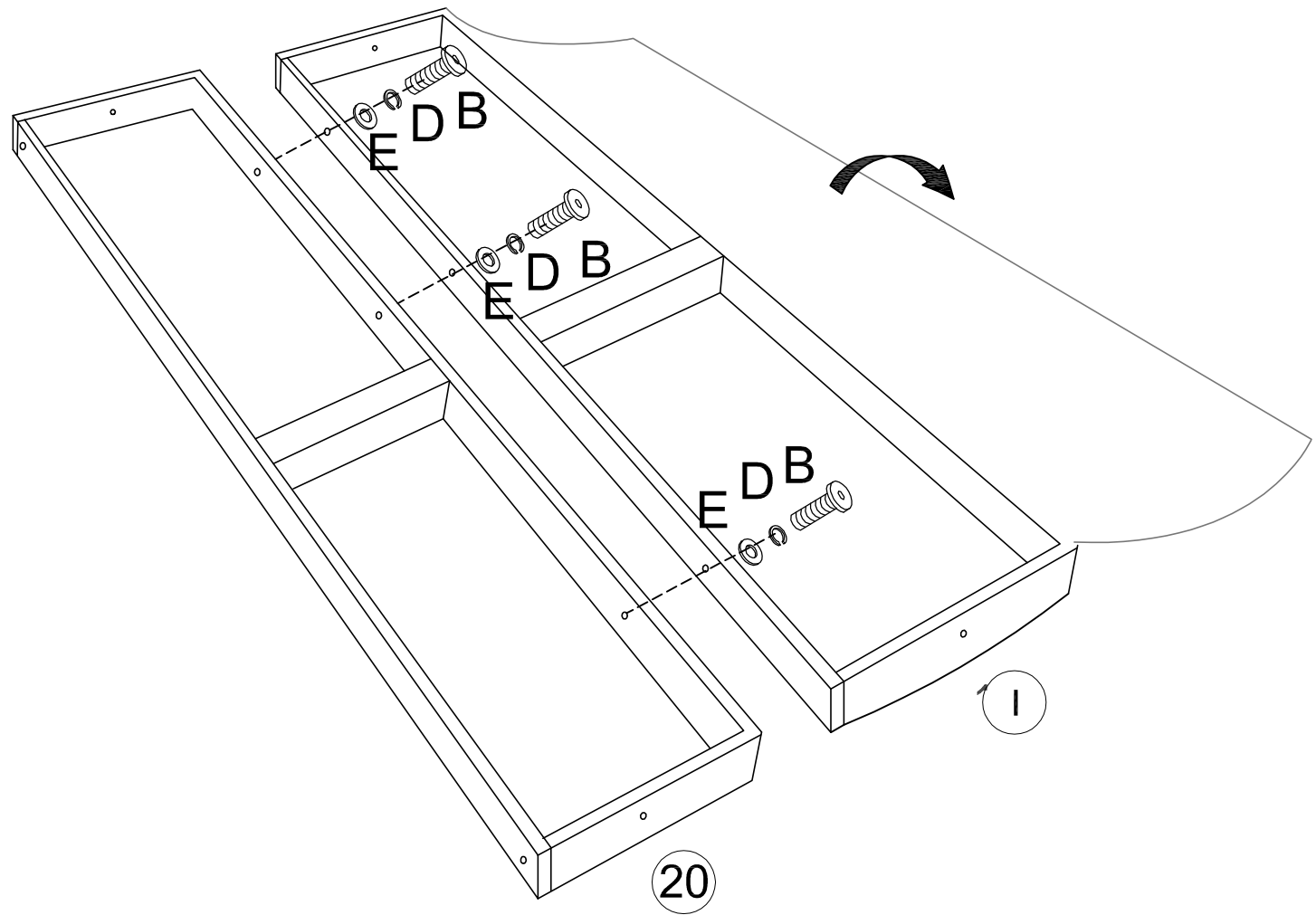
PACKING DETAILS:TOTAL 2 BOXES

2622Q1-A	
	1-(1pc)
	3-(4pcs)
	4-(2pcs)
	5-(1pc)
	6-(2pcs)
	7-(1pc)
	8-(2pcs)
	9-(4pcs)
	10-(24pcs)
	11-(12pcs)
	12-(16pcs)
	17-(4pcs)
	18-(4pcs)
	19-(4pcs)
	20-(1pc)

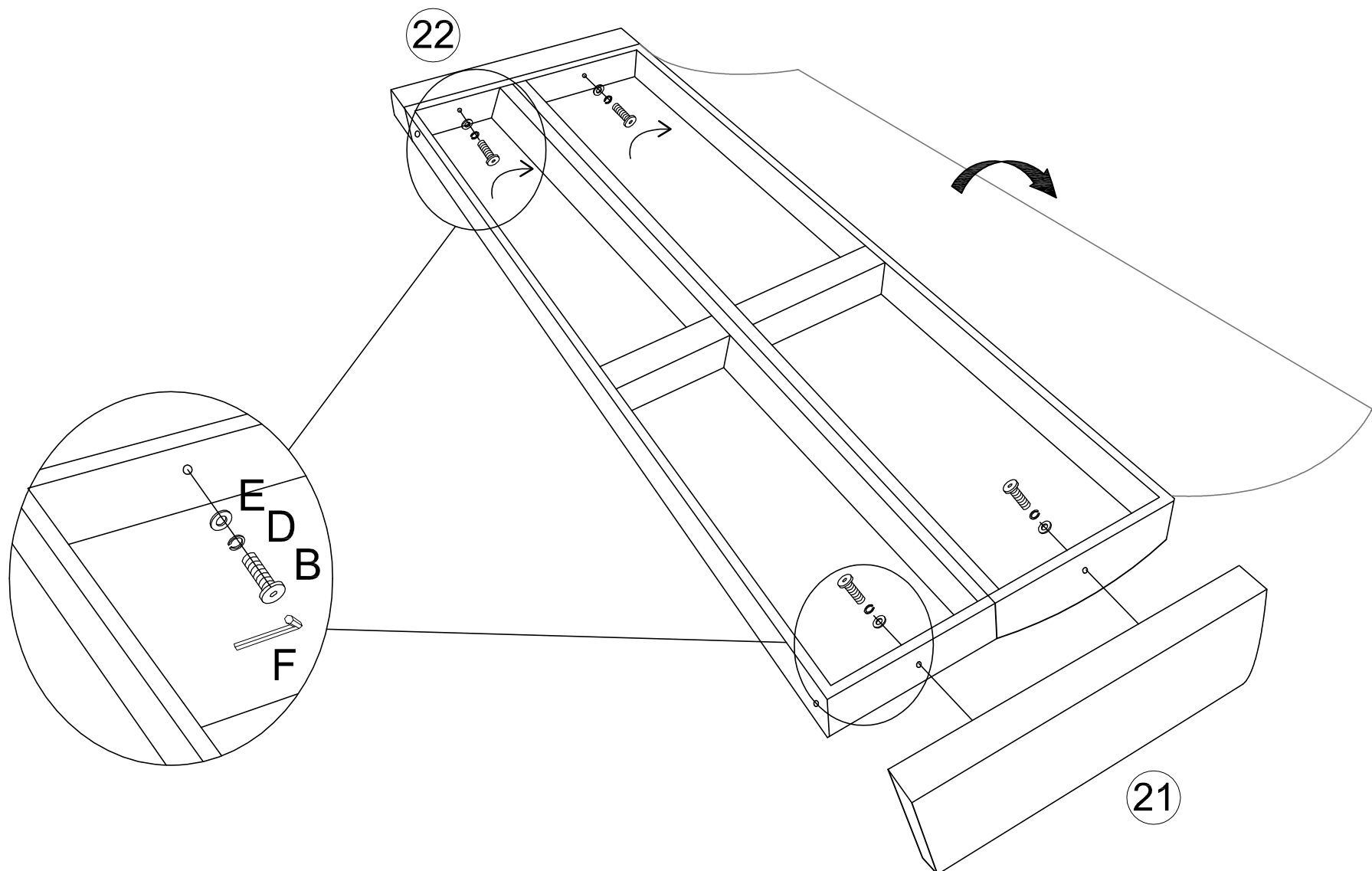
2622Q1-B	
	2-(1pc)
	13-(4pcs)
	14-(8pcs)
	15-(4pcs)
	16-(8pcs)
	21-(1pc)
	22-(1pc)

2622Q1-A	
(Hardware Packet)	
 M8*30mm	A-(12pcs)
 M8*45mm	B-(18pcs)
 M6*30mm	C-(20pcs)
 M8	D-(30pcs)
 M8*19mm	E-(30pcs)
 M8	F-(1pc)
 6*40mm	G-(80pcs)
 8*15mm	H-(64pcs)
	I-(1pc)
 M6*14mm	J-(16pcs)
 M6	K-(1pc)

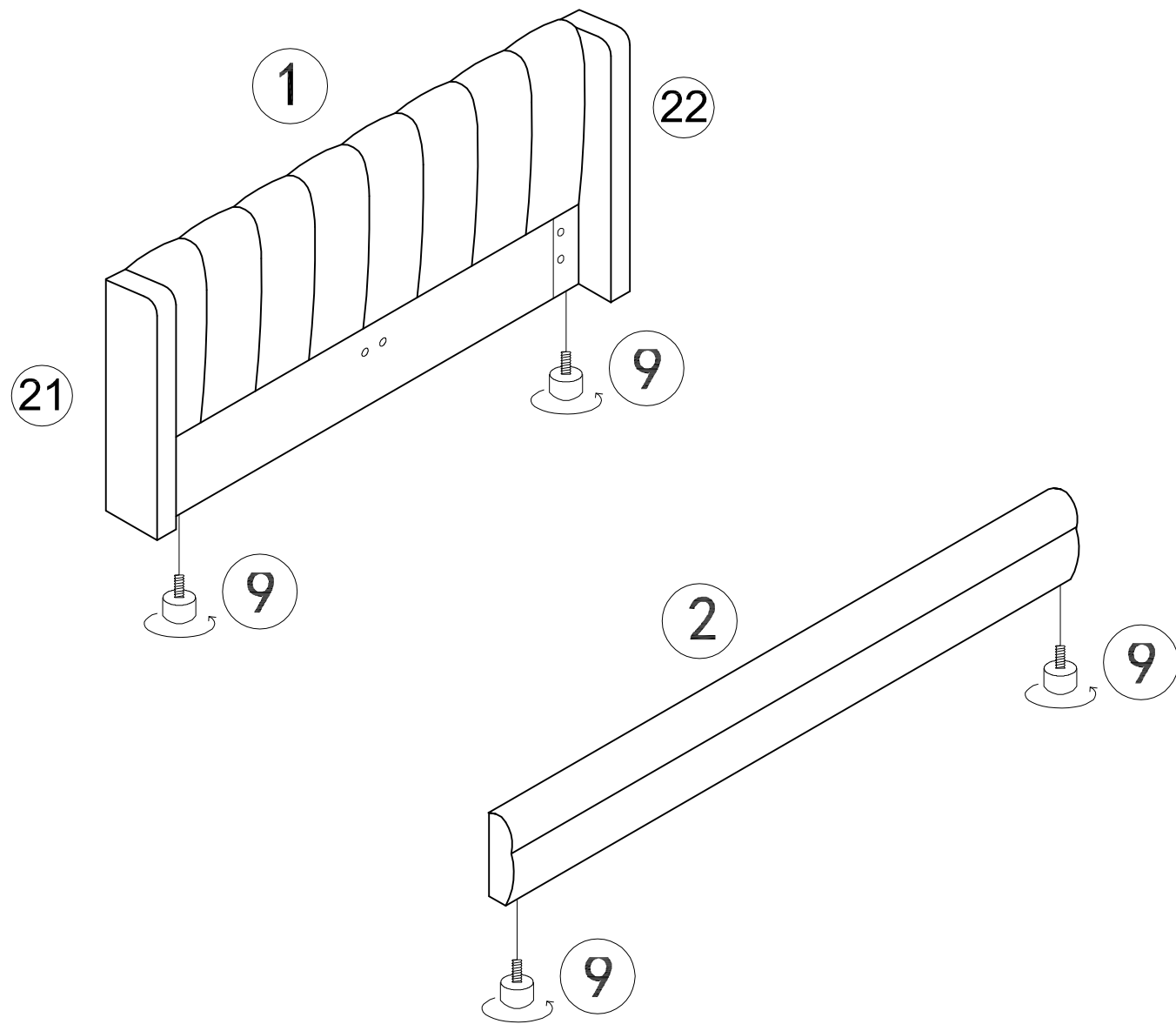
STEP 1



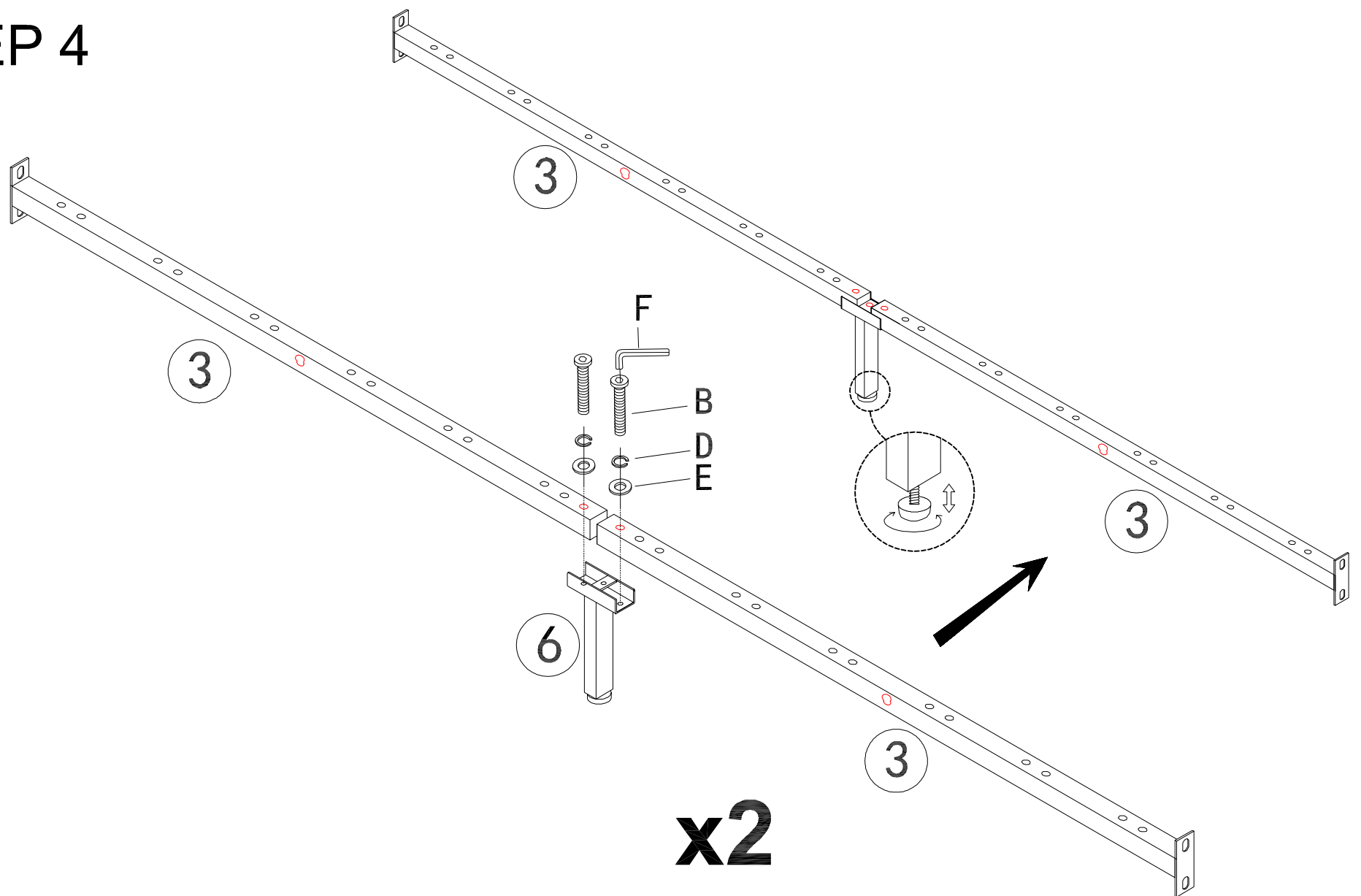
STEP 2



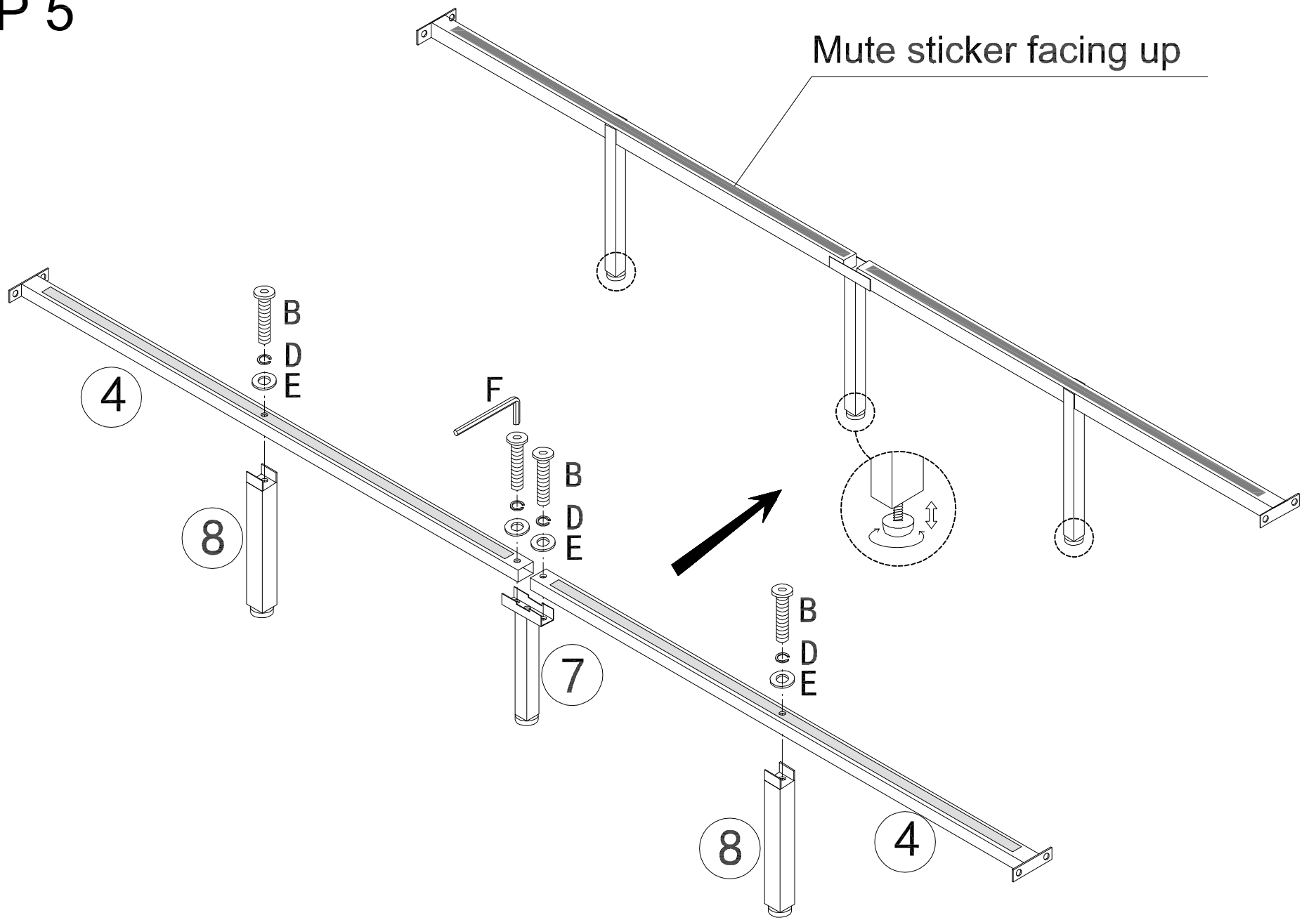
STEP 3



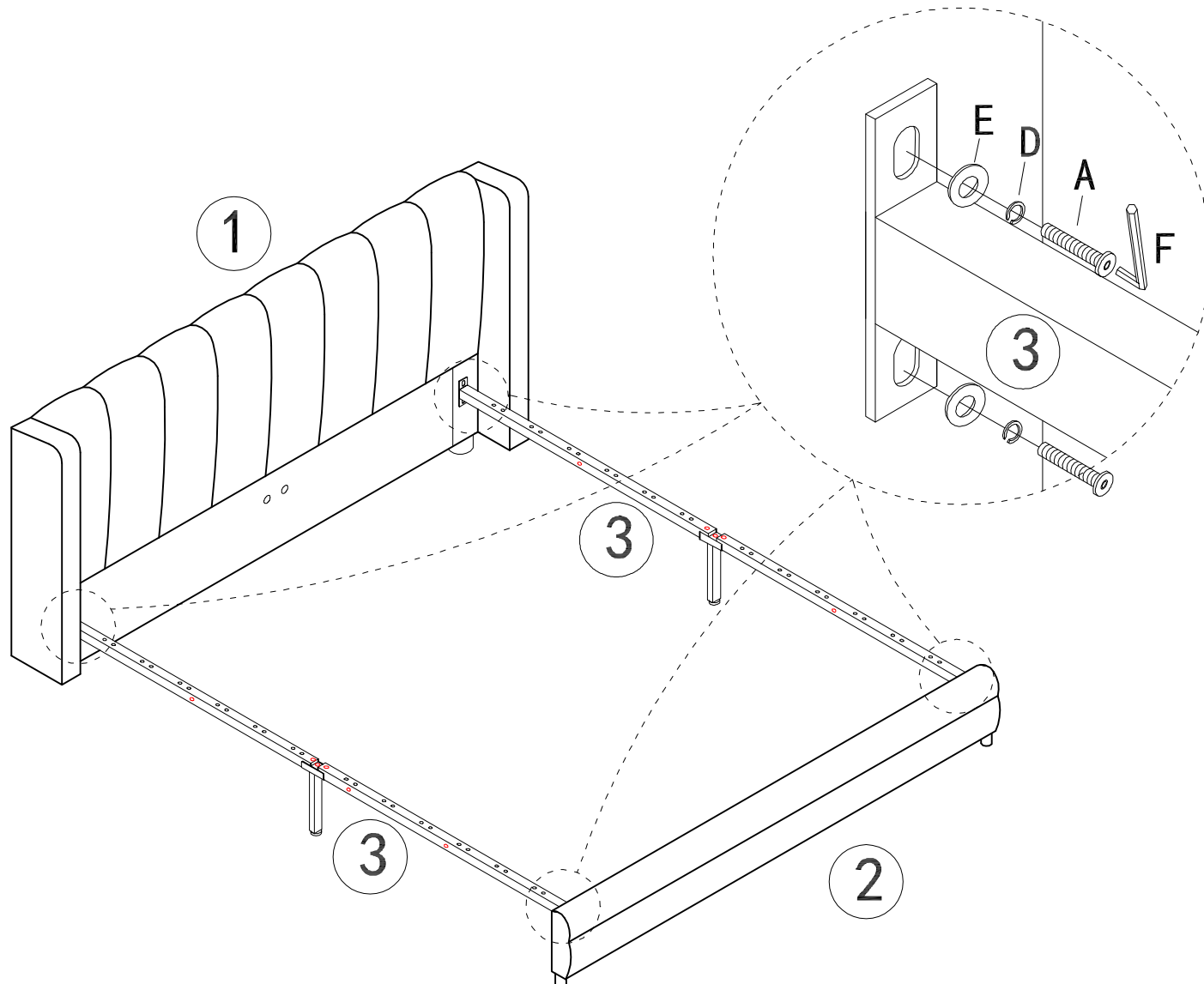
STEP 4



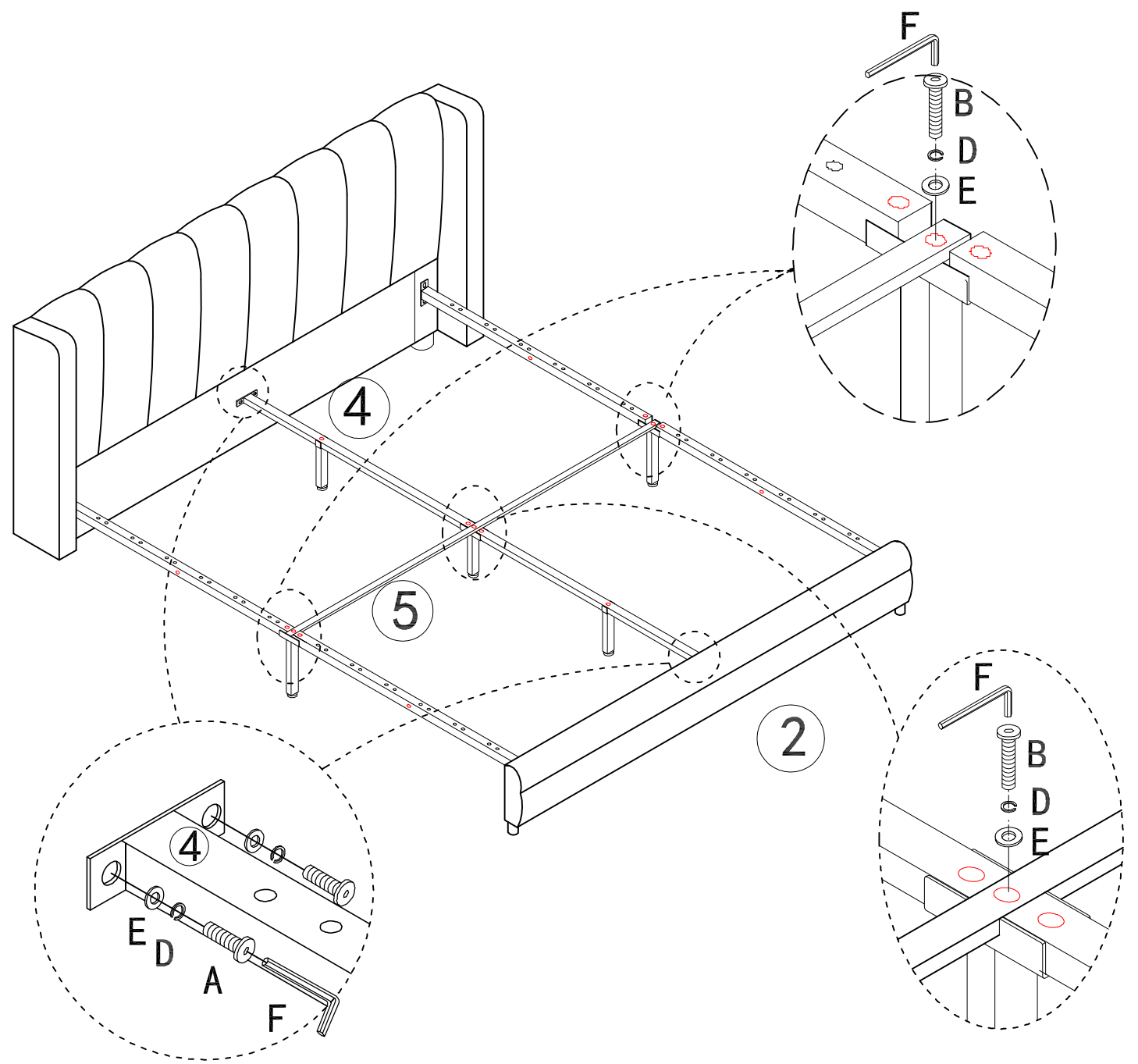
STEP 5



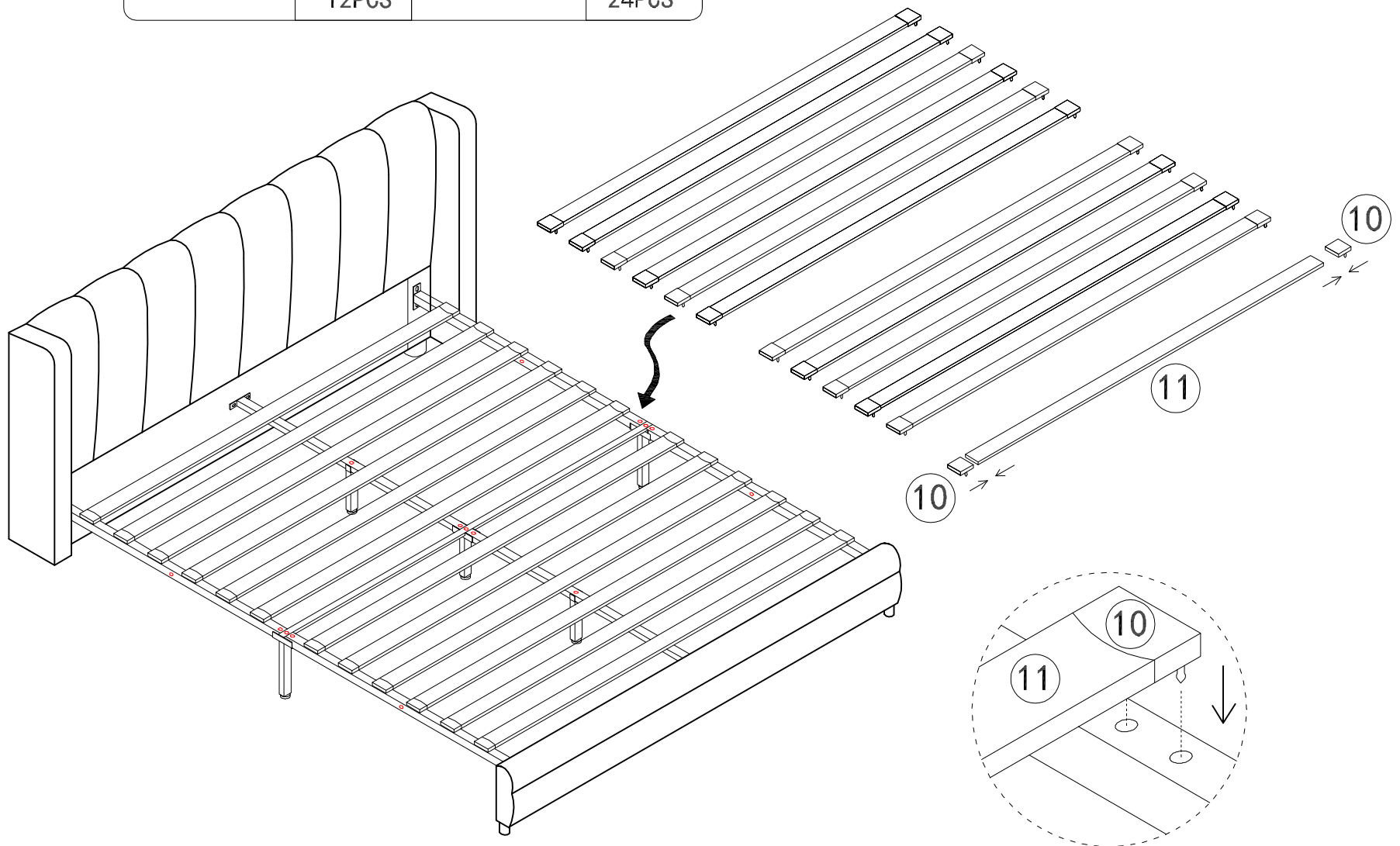
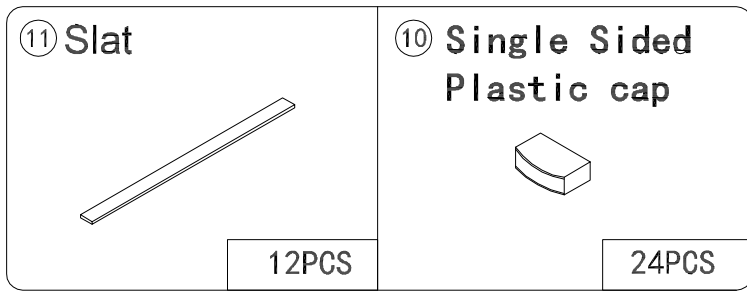
STEP 6



STEP 7

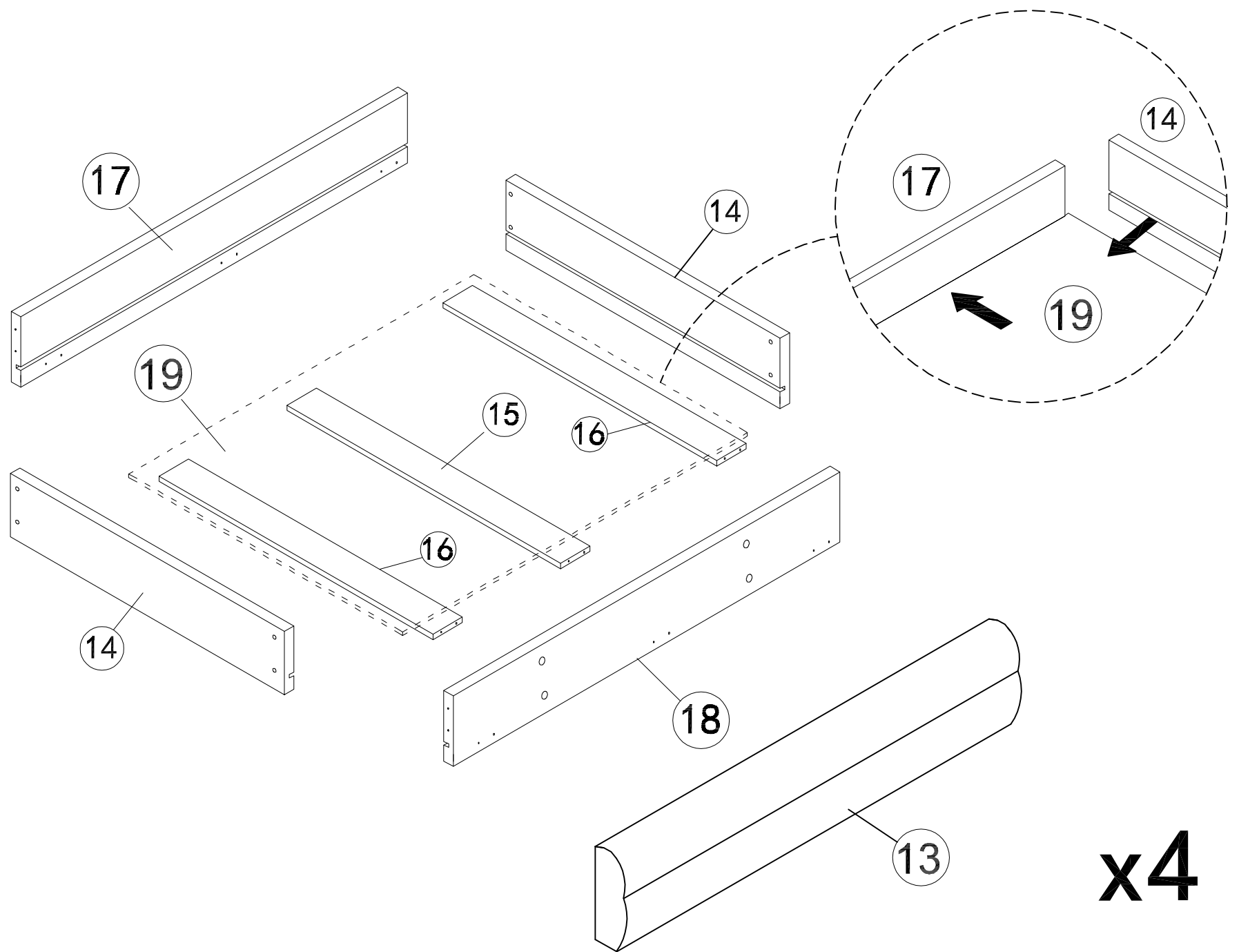


STEP 8

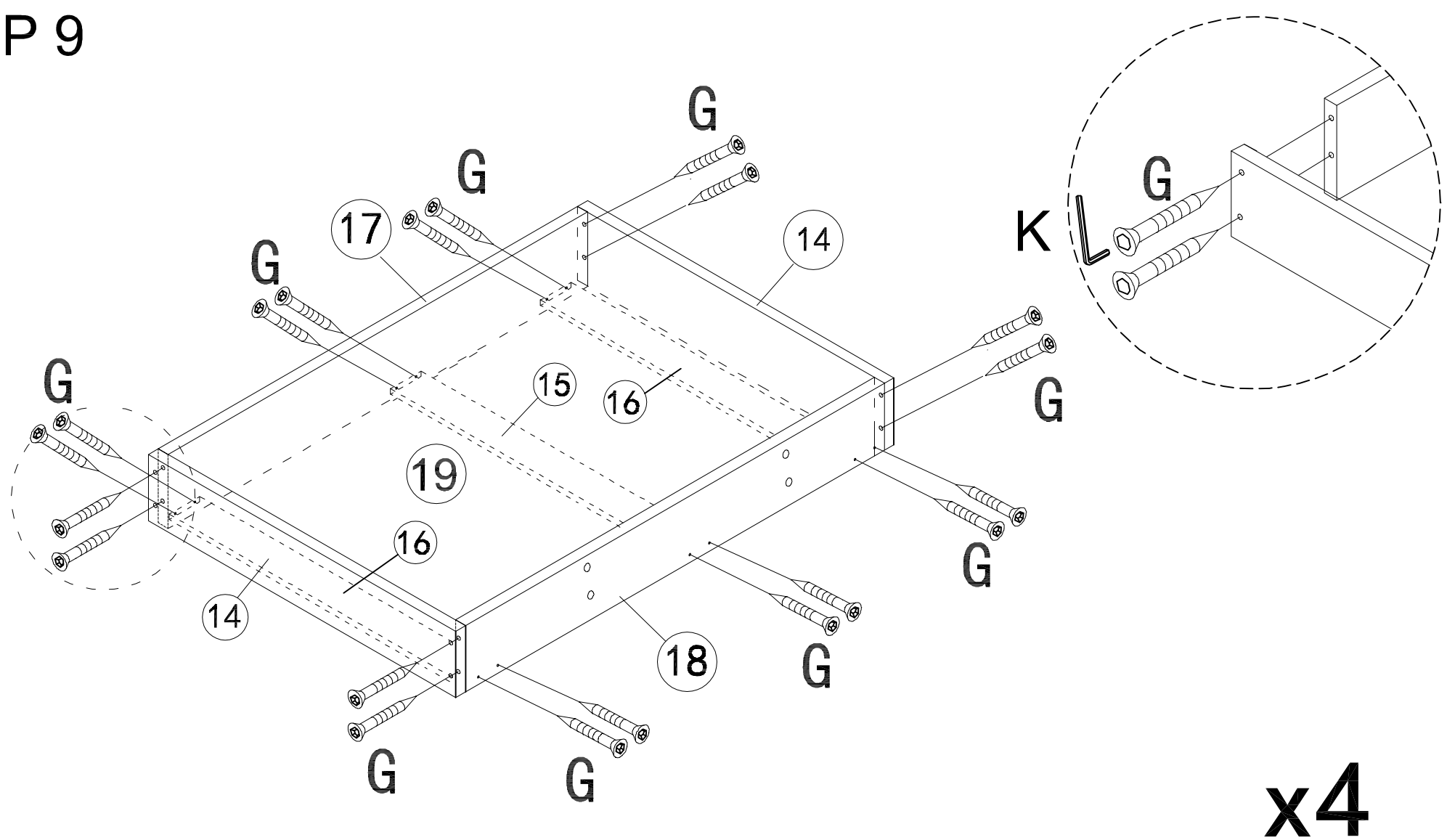


STEP 8

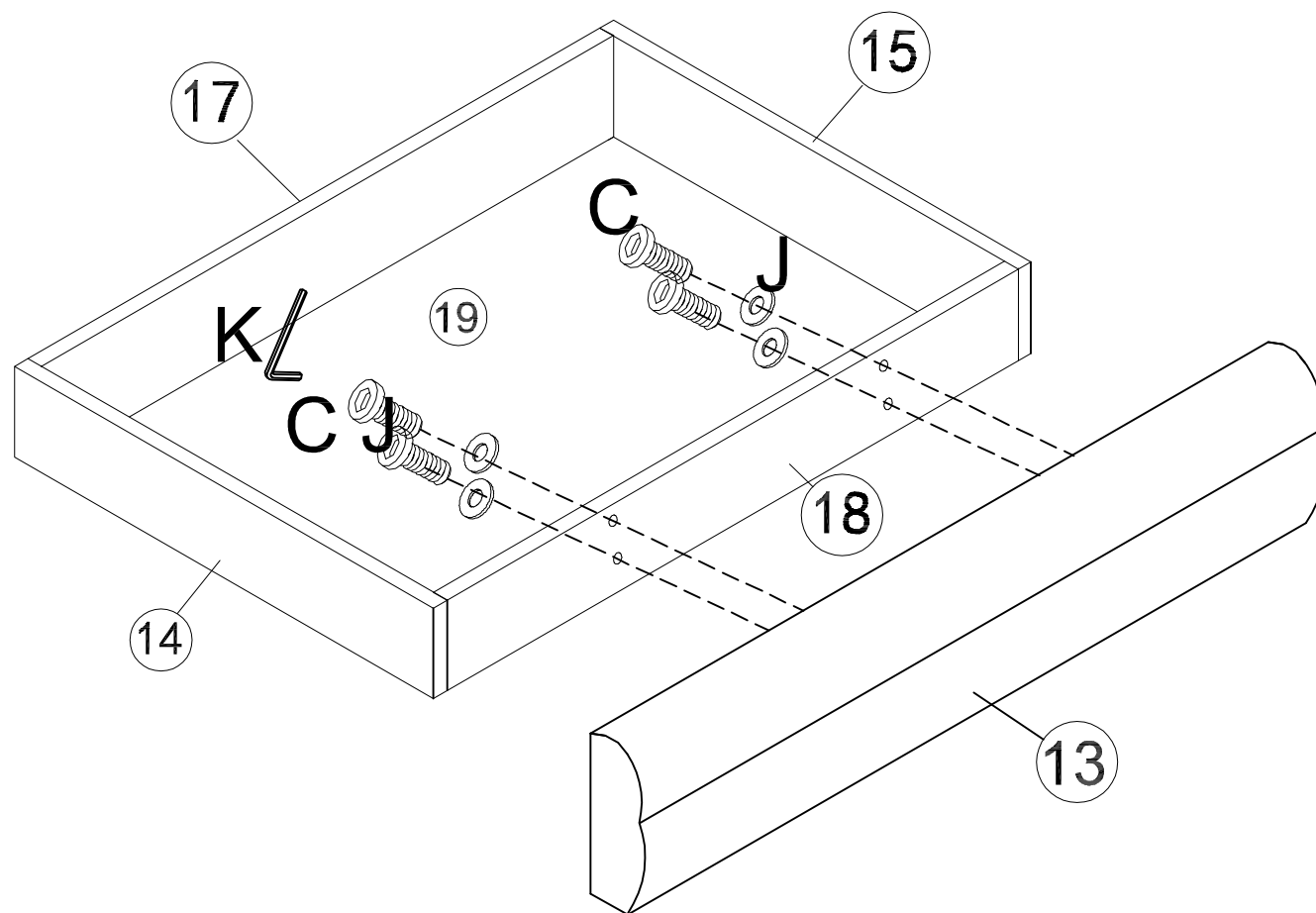
ASSEMBLE DRAWER



STEP 9

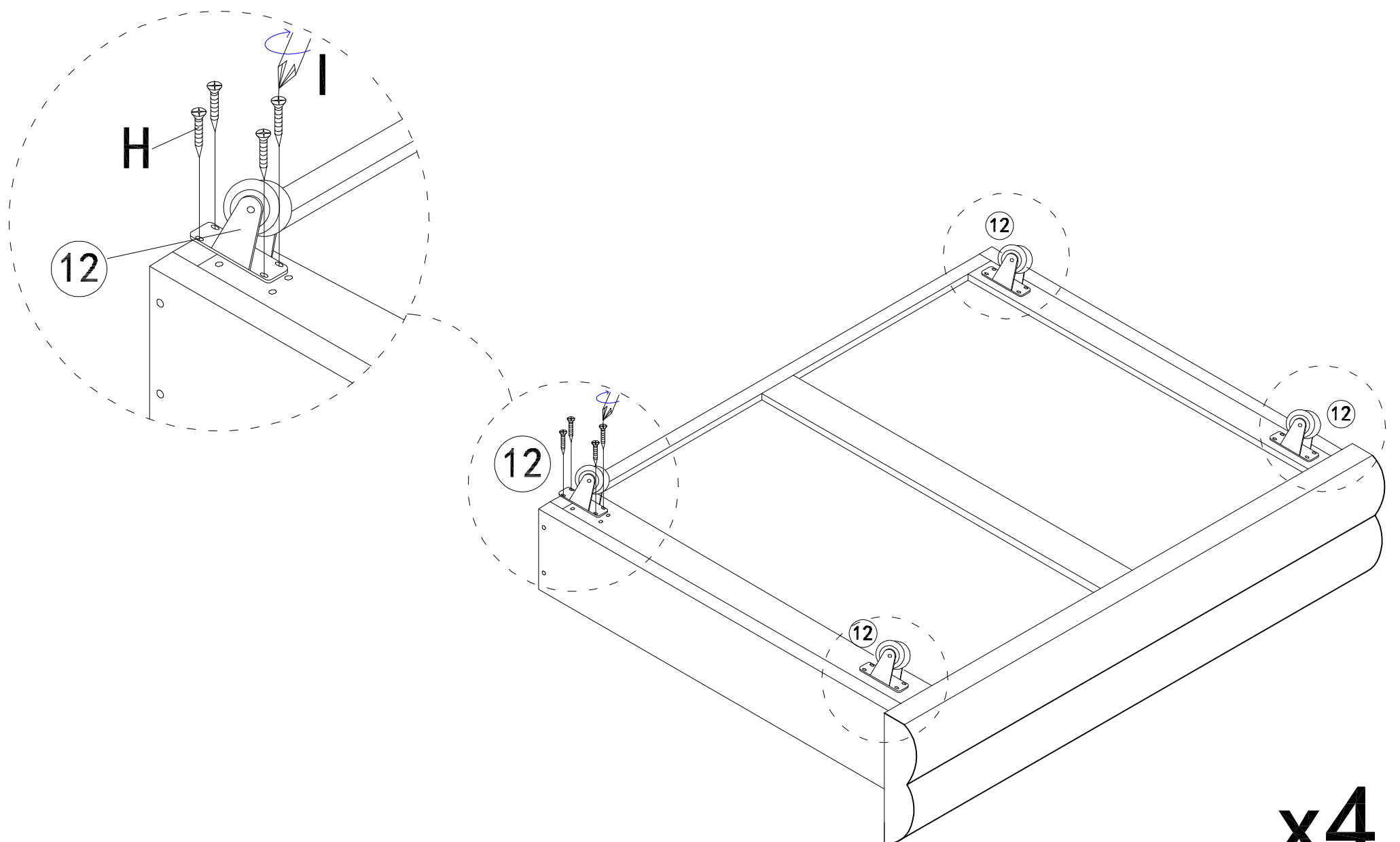


STEP 10



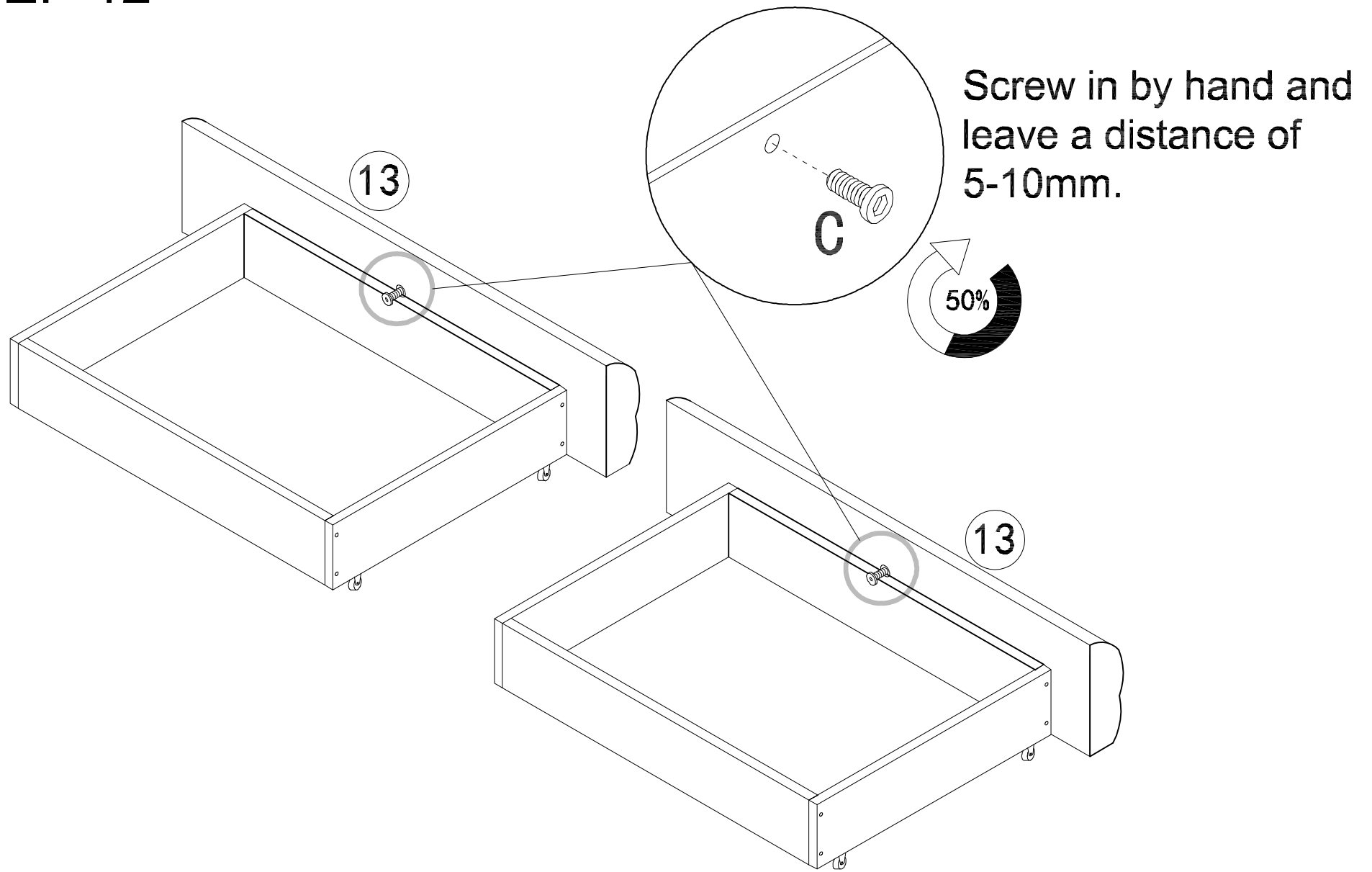
x4

STEP 11

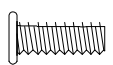


x4

STEP 12



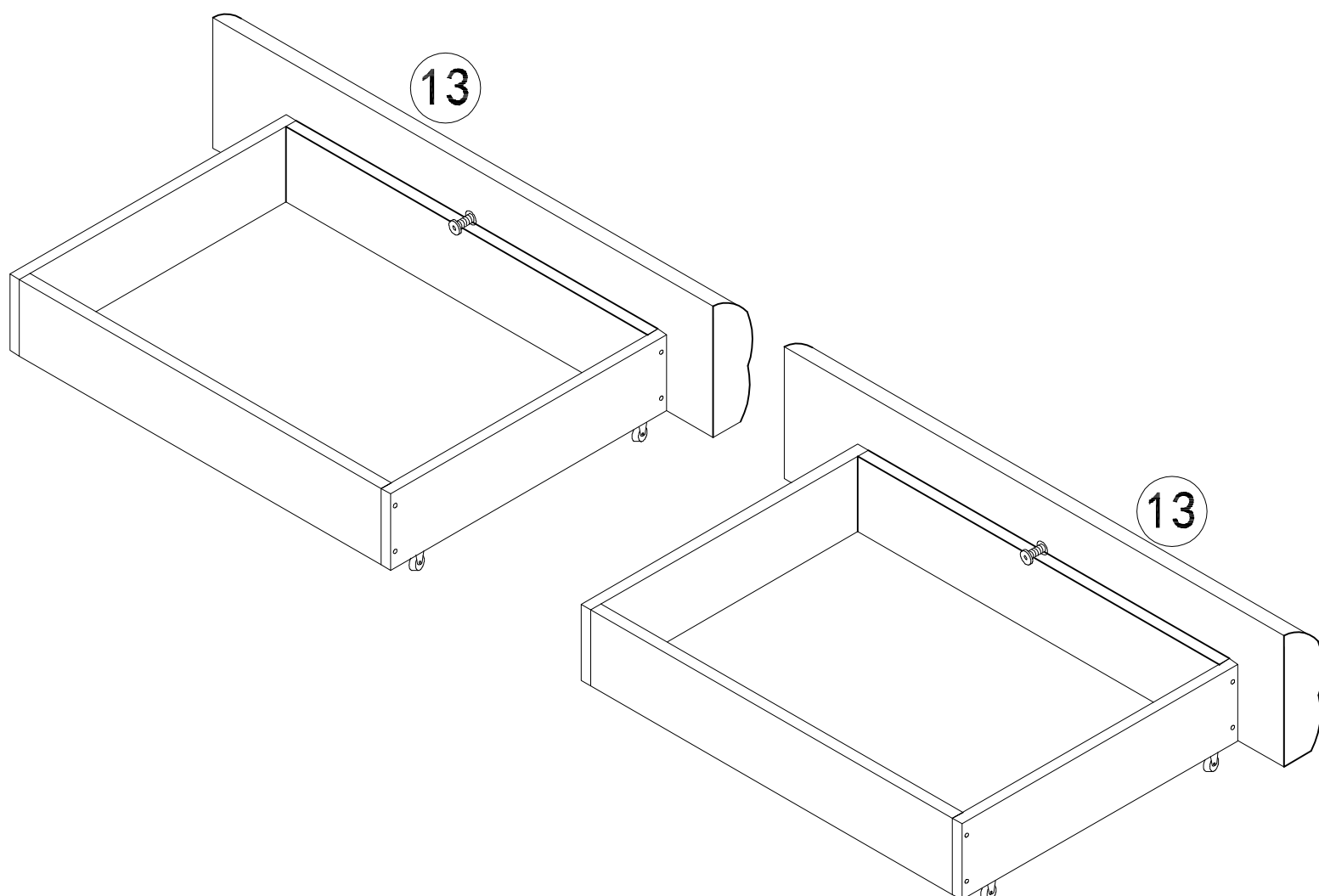
x2



C x4PCS

STEP 13

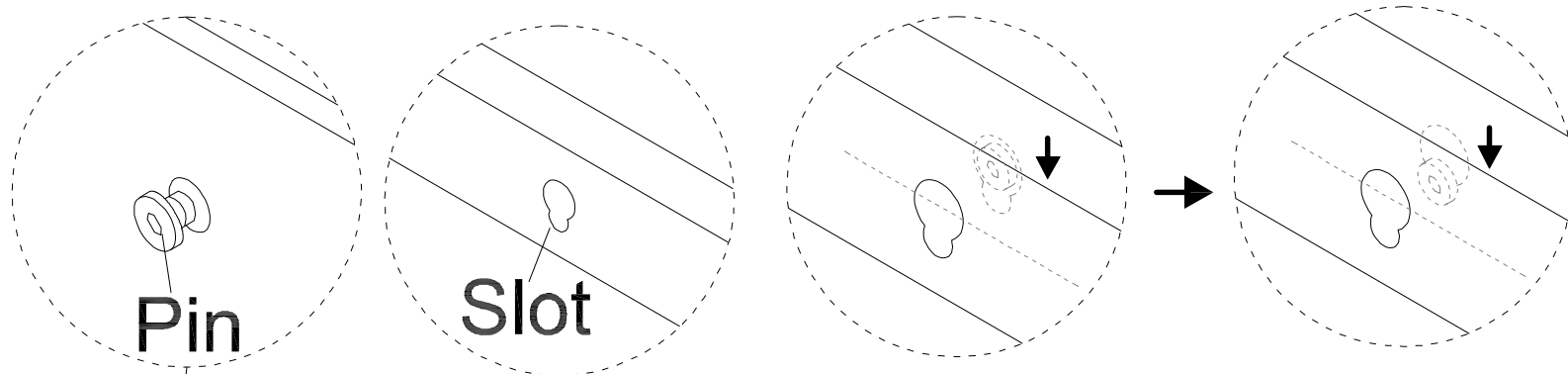
DRAWER ASSEMBLE COMPLETE



x2

STEP 14

Drawer panel screw hang into side cross beam hole.



There is a screw head on the drawer board. Hang them in the hole as shown in the figure.

