



Owner Manual



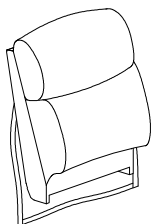
NOTE:

This brochure contains IMPORTANT safety info. Please read and keep for future reference.

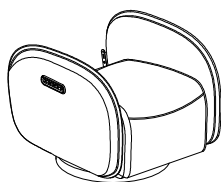
Maintenance and Warning

- We suggest you spend a short time reading through this leaflet and then follow the simple step-by-step instructions.
- Carefully check that you have all the parts before beginning assembly.
- Keep fittings out of children's reach and keep children well away from the construction area.
- We suggest you retain these instructions for future reference.
- Keep furniture away from heat sources.
- Do not clean furniture with harsh cleaners or polishes.
- Do not use detergents, solvents, abrasives, spray packs or leather cleaners.
- Use non-color mild soap with warm water to clean spills (Mix 1:10 soap to water).
- Do not place furniture under direct sunlight, the material will possibly fade over time.
- Do not use an on-site dry cleaning machine.
Children should not climb or jump on the furniture.
- Do not write on furniture that is not protected by a padded barrier.
- Not for commercial use, only for residential use.

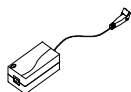
Parts List



A Backrest x 1



B Seat Cushion x 1



C Adapter x 1

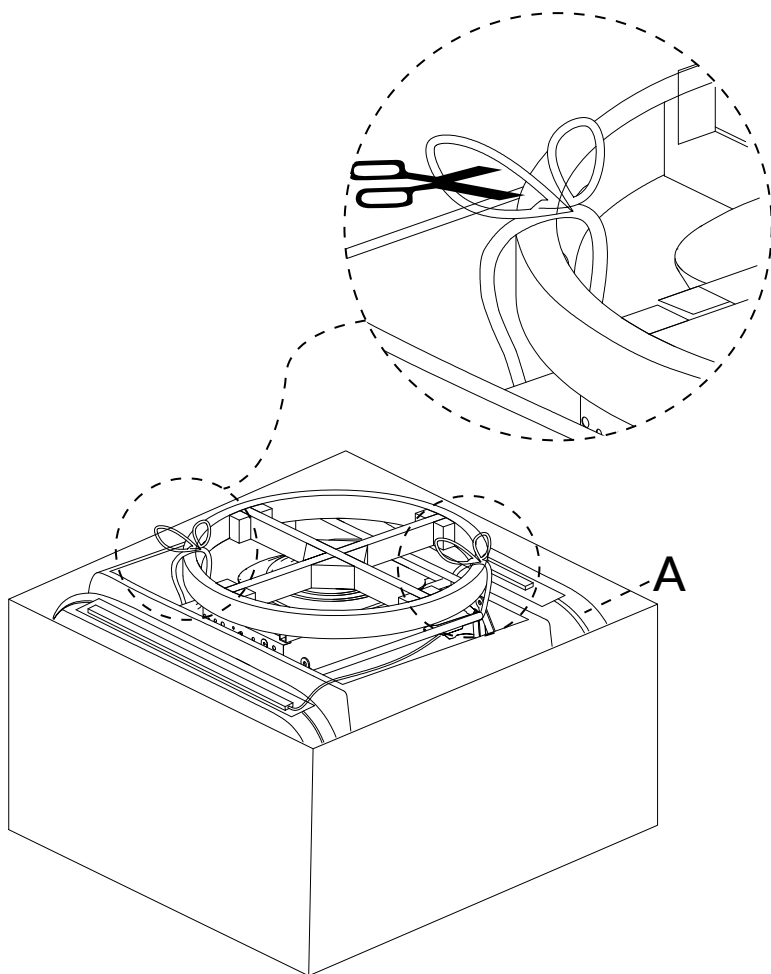


D Plug x 1

ASSEMBLY INSTRUCTION

Step 1

Open the package and cut the holding string.



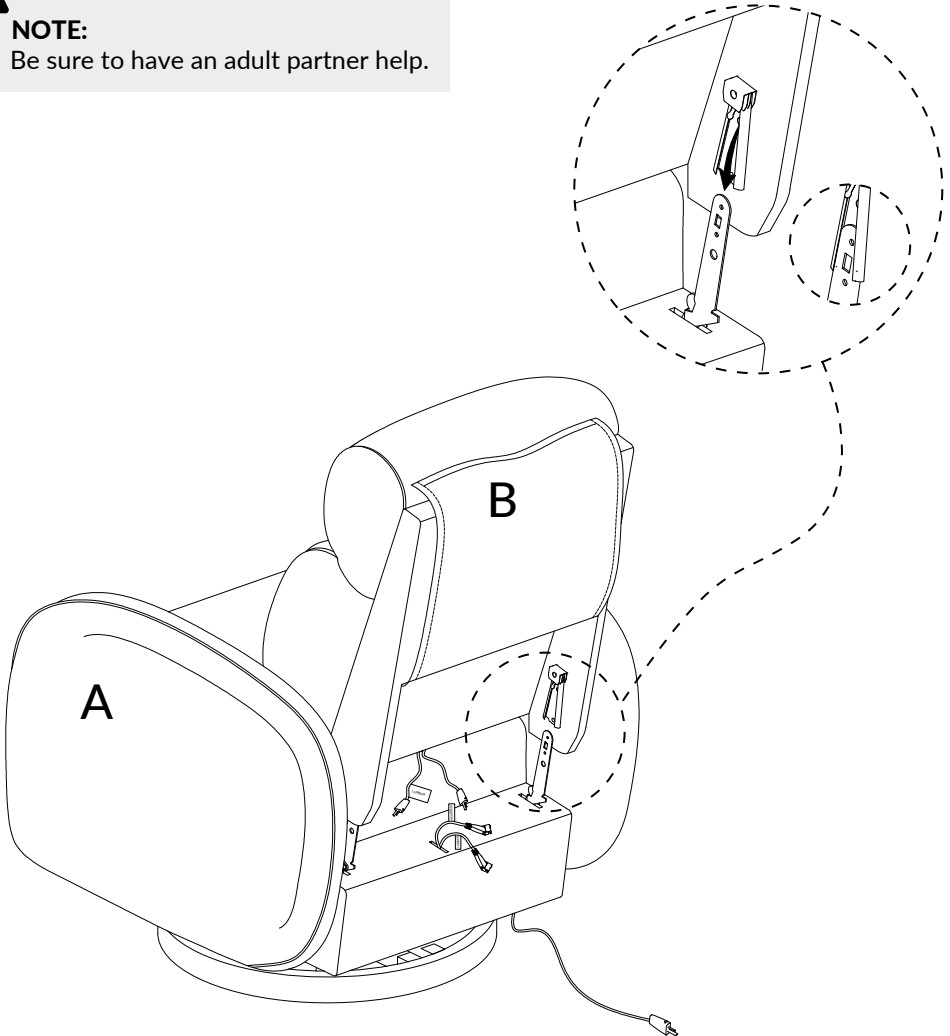
Step 2

Hold both armrests while aligning metal brackets on backrests or armrests.



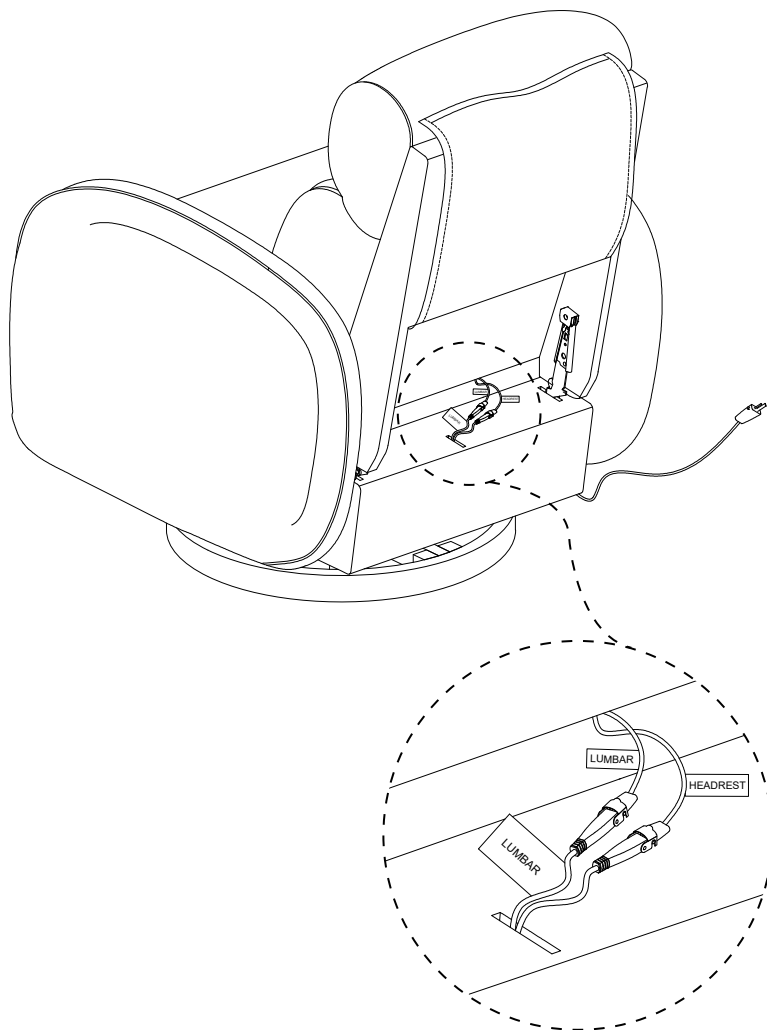
NOTE:

Be sure to have an adult partner help.



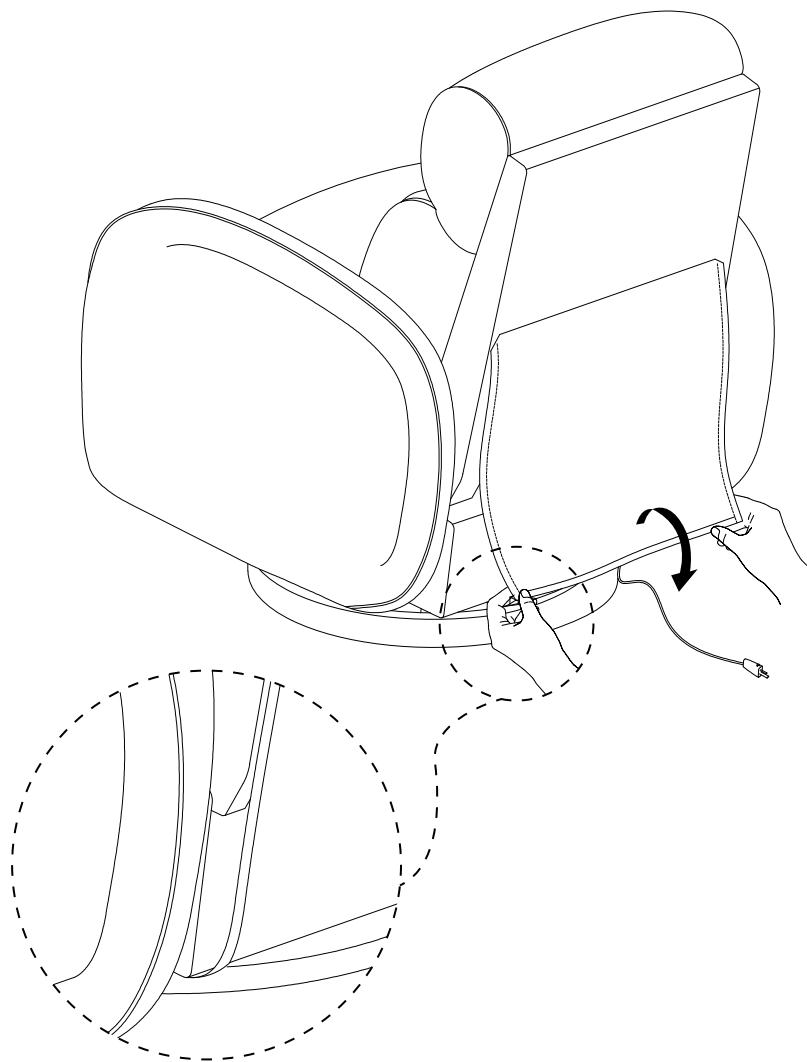
Step 3

Connect the wires behind the sofa according to the sign.



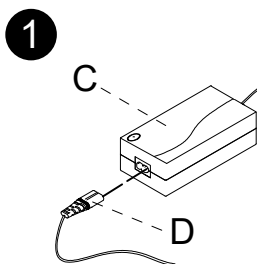
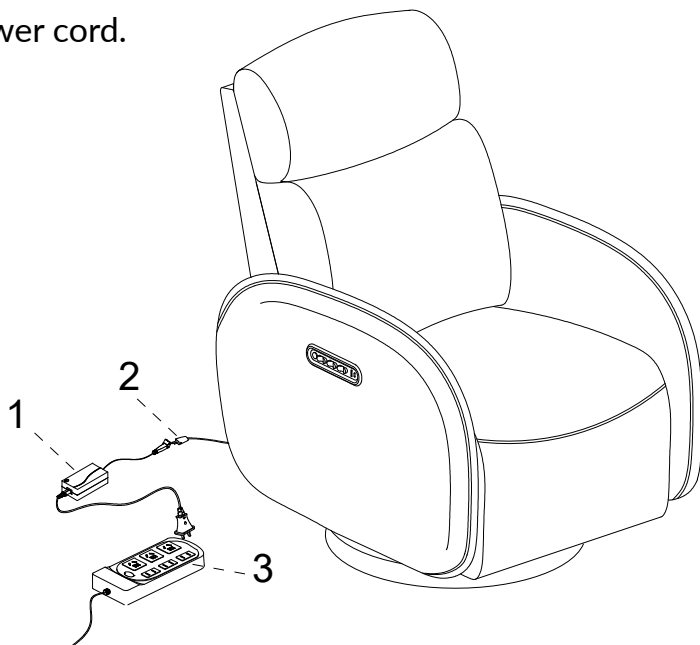
Step 4

Cover the back cloth.

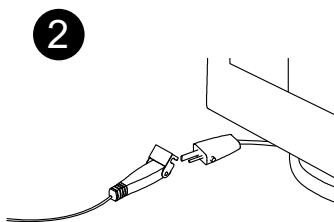


Step 5

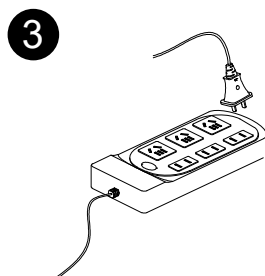
Connect the power cord.



Connect C and D.



Connect the adapter cable to the bottom cable of the sofa.

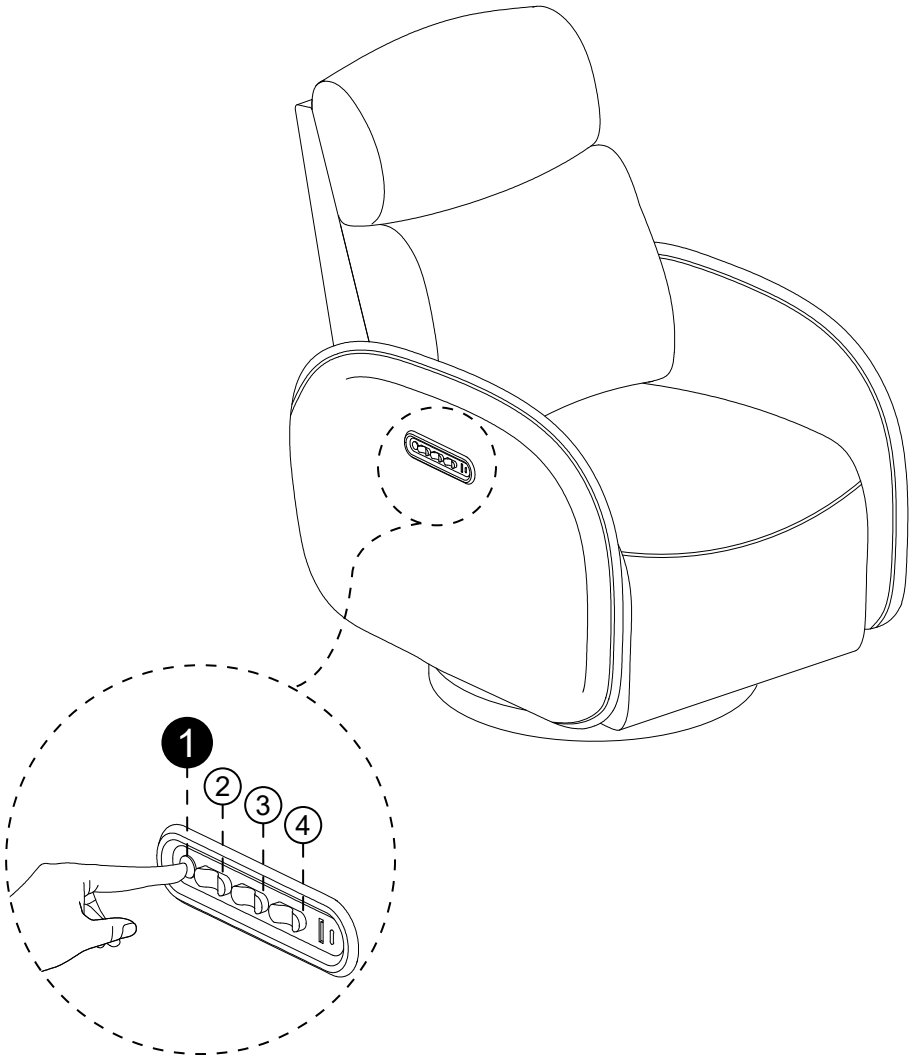


Power on the plug.

FUNCTION INTRODUCTION

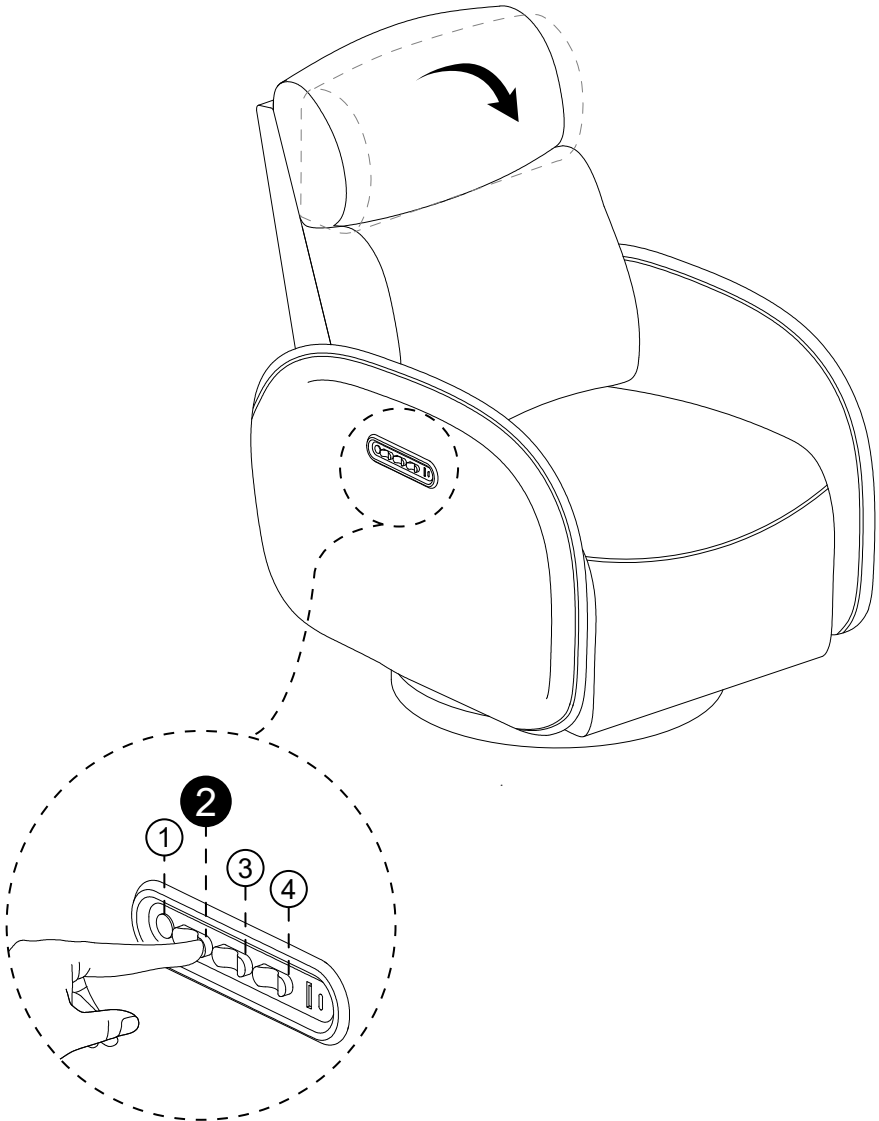
One-touch Reset

The first round button can be reset to the original state with one click.



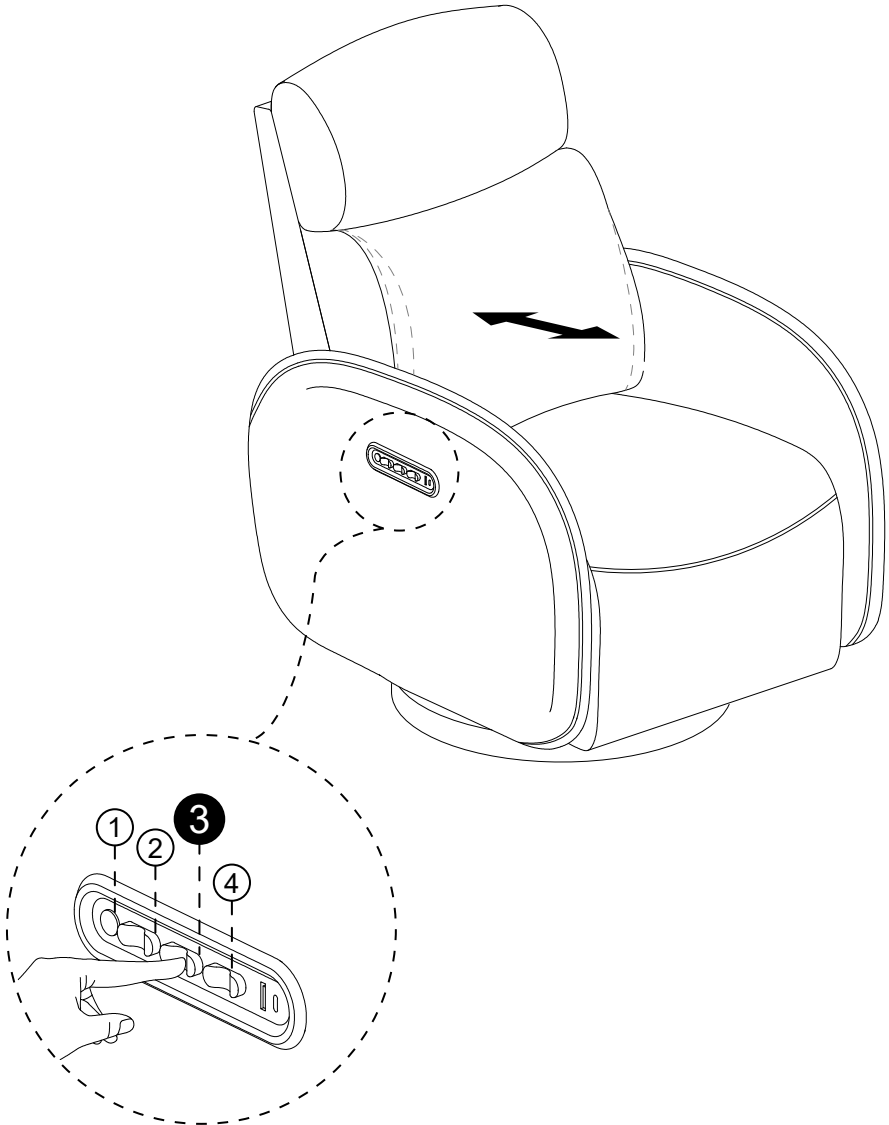
Controllable Headrests

Press the second button to control the headrest.



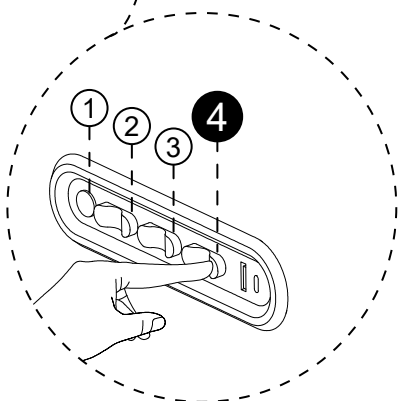
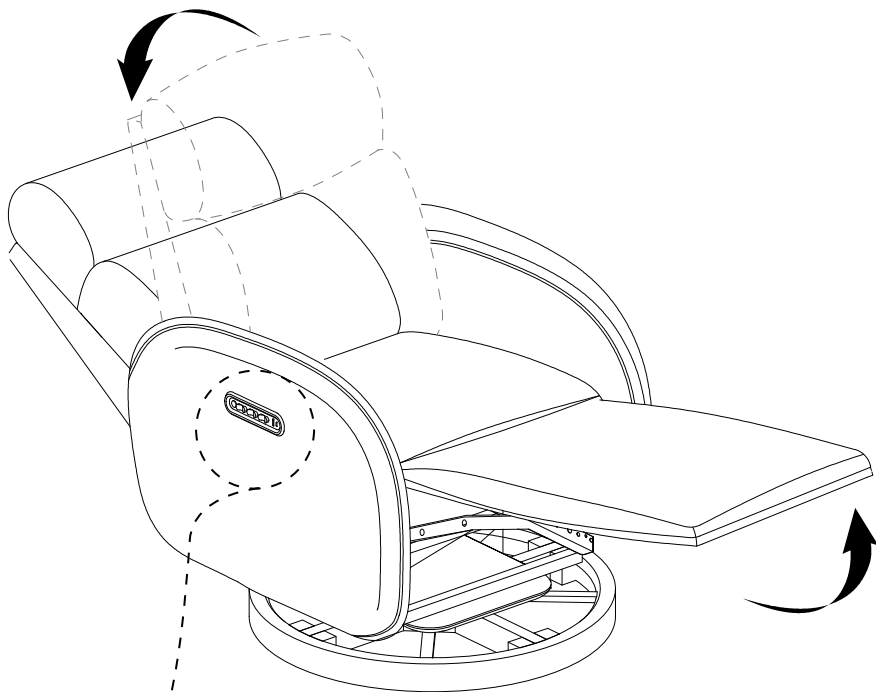
Controllable Lumbar

Press the third button to control rear waist bag fluctuations.



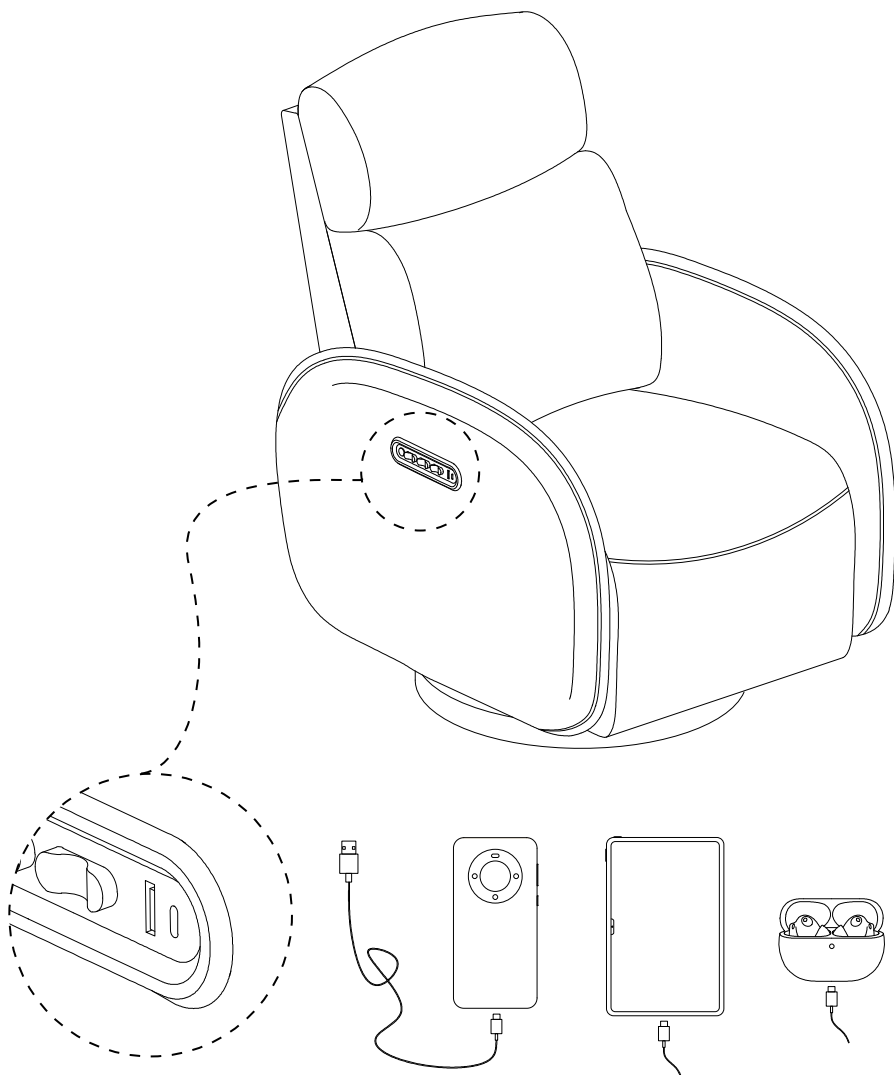
Controllable Recline

Press the fourth button to control the backrest and leg support.



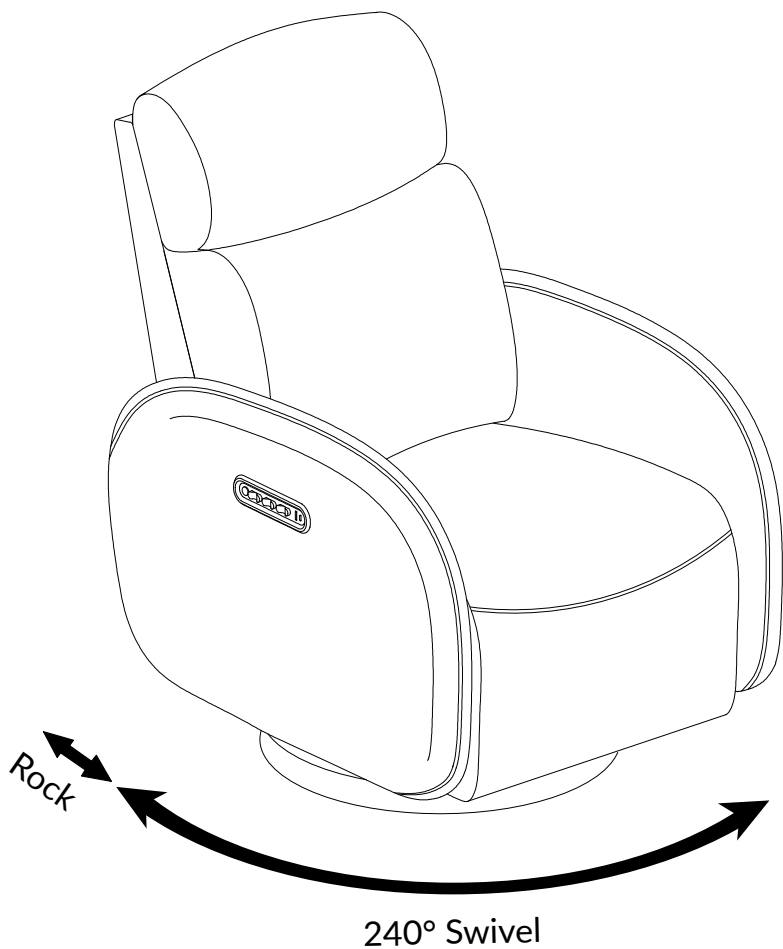
USB & Type-C Ports

Ensure smartphones, tablets, or other gadgets stay powered up.



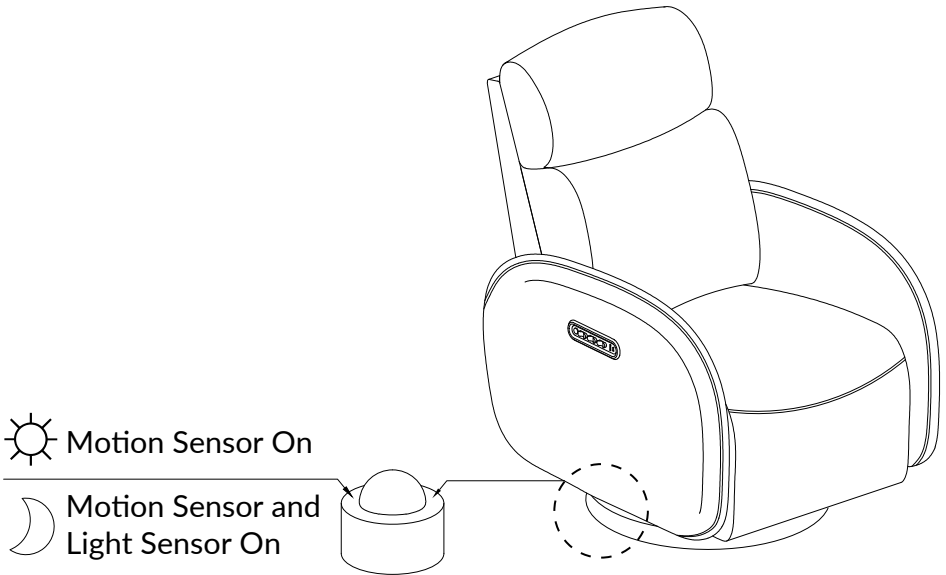
240-degree Swivel Base

It offers a cozy spot for feeding, soothing, and relaxation.



Motion-activated Night Light

The bottom LED strip is equipped with an automatic sensor lighting up by footsteps.



FEATURE:

The delay time is adjustable by switch
The light sensor is optional by a switch
Small size with 140-degree large detecting angle.

SPECIFICATION:

Voltage: 5v/12v/24v
Max load: 5v20w 12v60w /24v60w
Detecting Range: 0.2-3m
Delay time: 30s 90s 300s
Function: When there is motion a light on, when no motion detected light off within a delay time, it plays an important role.

WARRANTY

- We strive to offer quality products, and we also try our best to satisfy every customer who orders from us with products or services as needed.
- We provide 30 days warranty starting from the time you receive the item. Each customer must provide a record of their orders such as the order number, or item receipt for any items that are out of the warranty period you may also still receive.
- Replacement parts by purchasing them from our company if they are available.

*Appreciate your purchasing from us.
Pop up your life by our furniture piece!*