

ASSEMBLY INSTRUCTION

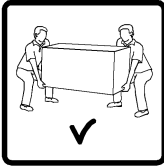
ASSEMBLY TIPS:

- 1.Remove hardware from box and sort by size.
- 2.Please check to see that all hardware and parts are present prior to start of assembly.
- 3.Please follow attached instructions in the same sequence as numbered to assure fast & easy assembly.



Warning !

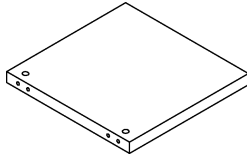
- 1.Don't attempt to repair or modify parts that are broken or defective.Please contact the store immediately.
- 2.This product is for home use only and not intended for commercial establishment.



ASSEMBLY TIME PER UNIT: 40 MINUTES

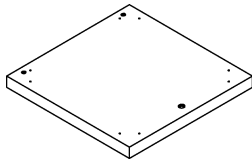
PARTS IDENTIFICATION:

(A) SIDE PANEL



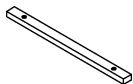
4 PCS

(B) BOTTOM PANEL



1 PC

(C) LONG CROSS BRACE



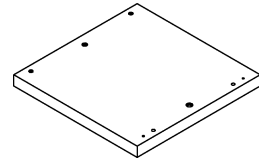
2 PCS

(D) SHORT CROSS BRACE



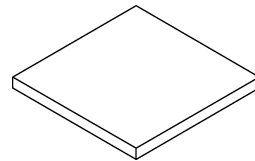
2 PCS

(E) CROSS PANEL



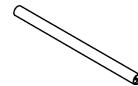
3 PCS

(F) TOP PANEL



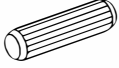

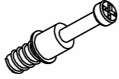


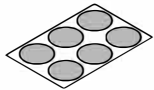



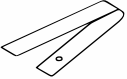



1 PC

(G) IRON PIPE

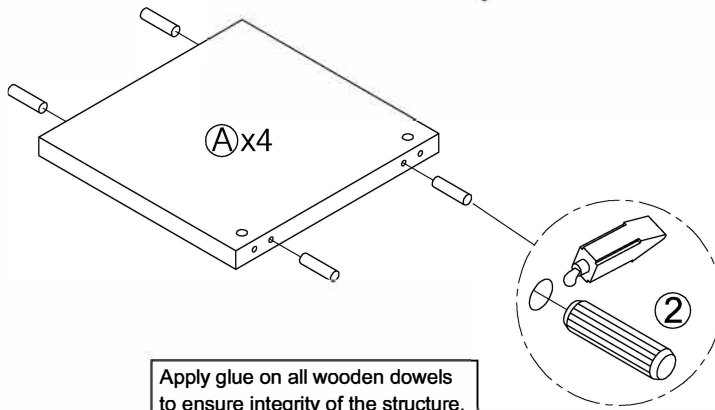
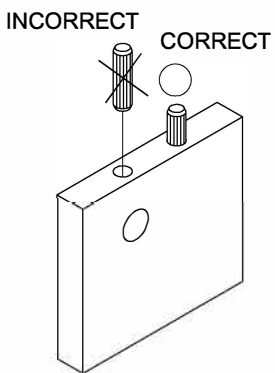
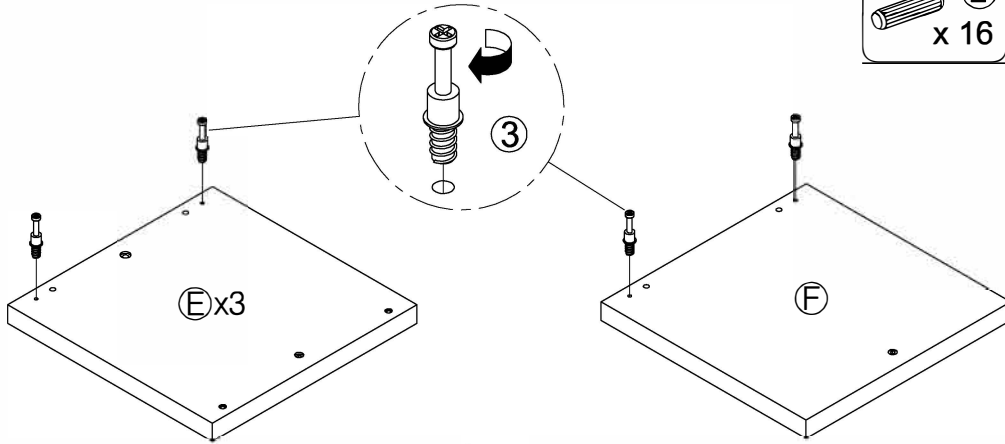


4 PCS

Z HARDWARE PACKAGE							
NO	DESCRIPTION	FIGURE	Q'TY	NO	DESCRIPTION	FIGURE	Q'TY
1	GLUE 15g		1 PC	6	SCREW ϕ 4.3x35mm		8 PCS
2	WOODEN DOWEL ϕ 8x30mm		16 PCS	7	BOLT M6x62mm		4 PCS
3	CAM BOLT ϕ 7x35.5mm		8 PCS	8	ALLEN WRENCH		1 PC
4	CAM LOCK ϕ 15x12mm		8 PCS	9	STICKER ϕ 20mm		2 PCS
5	BOLT ϕ 9.5x55mm		8 PCS				

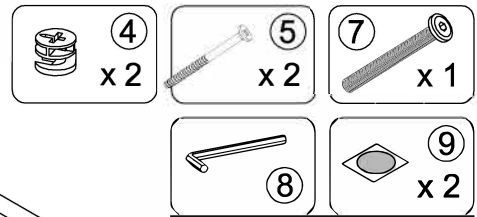
Z HARDWARE PACKAGE							
NO	DESCRIPTION	FIGURE	Q'TY	NO	DESCRIPTION	FIGURE	Q'TY
10	ANTI-TIP STRAP 170x15mm		2 PCS	12	WALL SCREW ϕ 4x25mm		2 PCS
11	WALL PLUG 6x30mm		2 PCS	13	SCREW ϕ 4x16mm		2 PCS

STEP 1 :

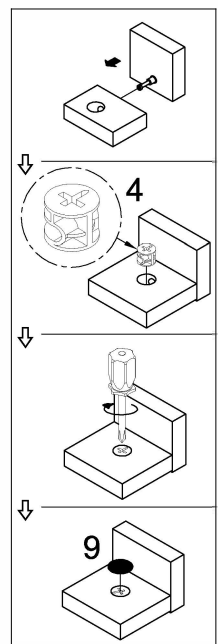
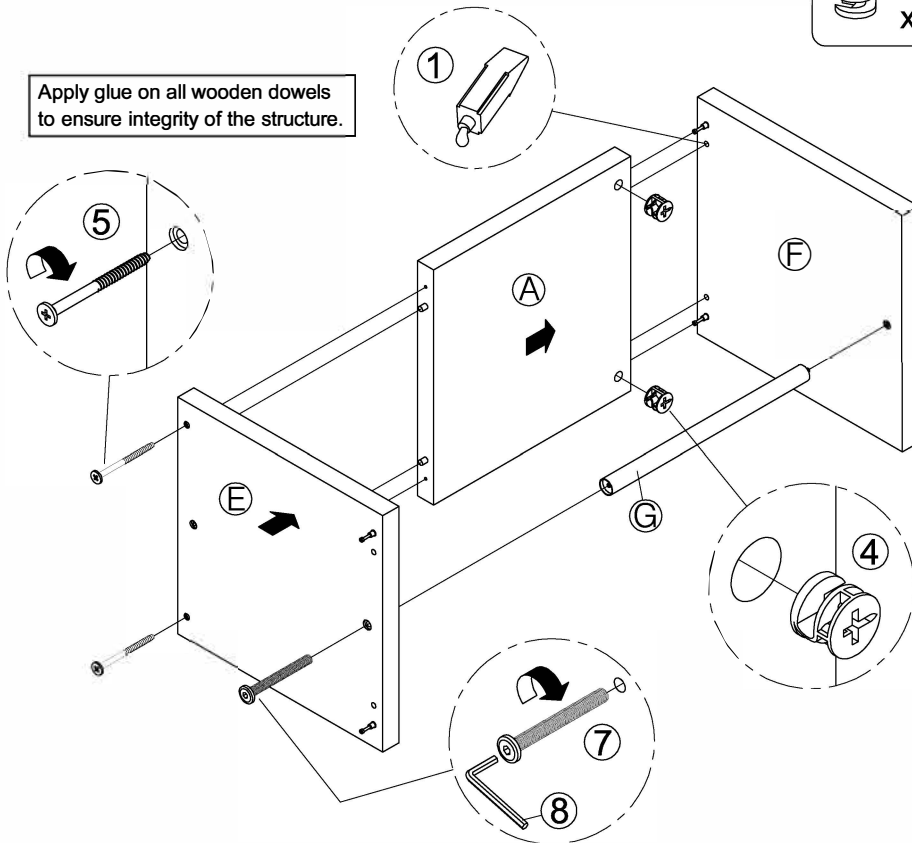


Apply glue on all wooden dowels to ensure integrity of the structure.

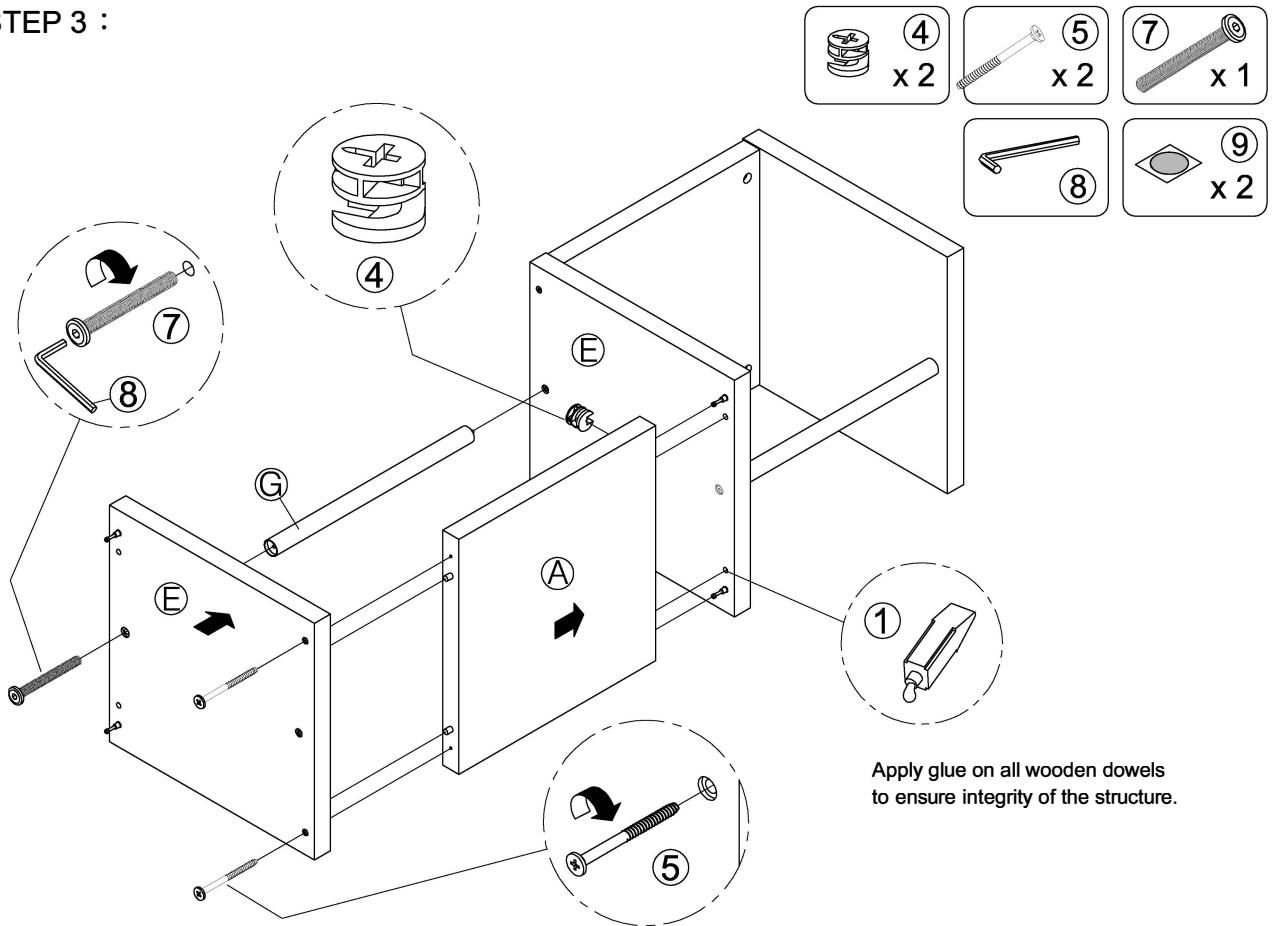
STEP 2 :



Apply glue on all wooden dowels to ensure integrity of the structure.

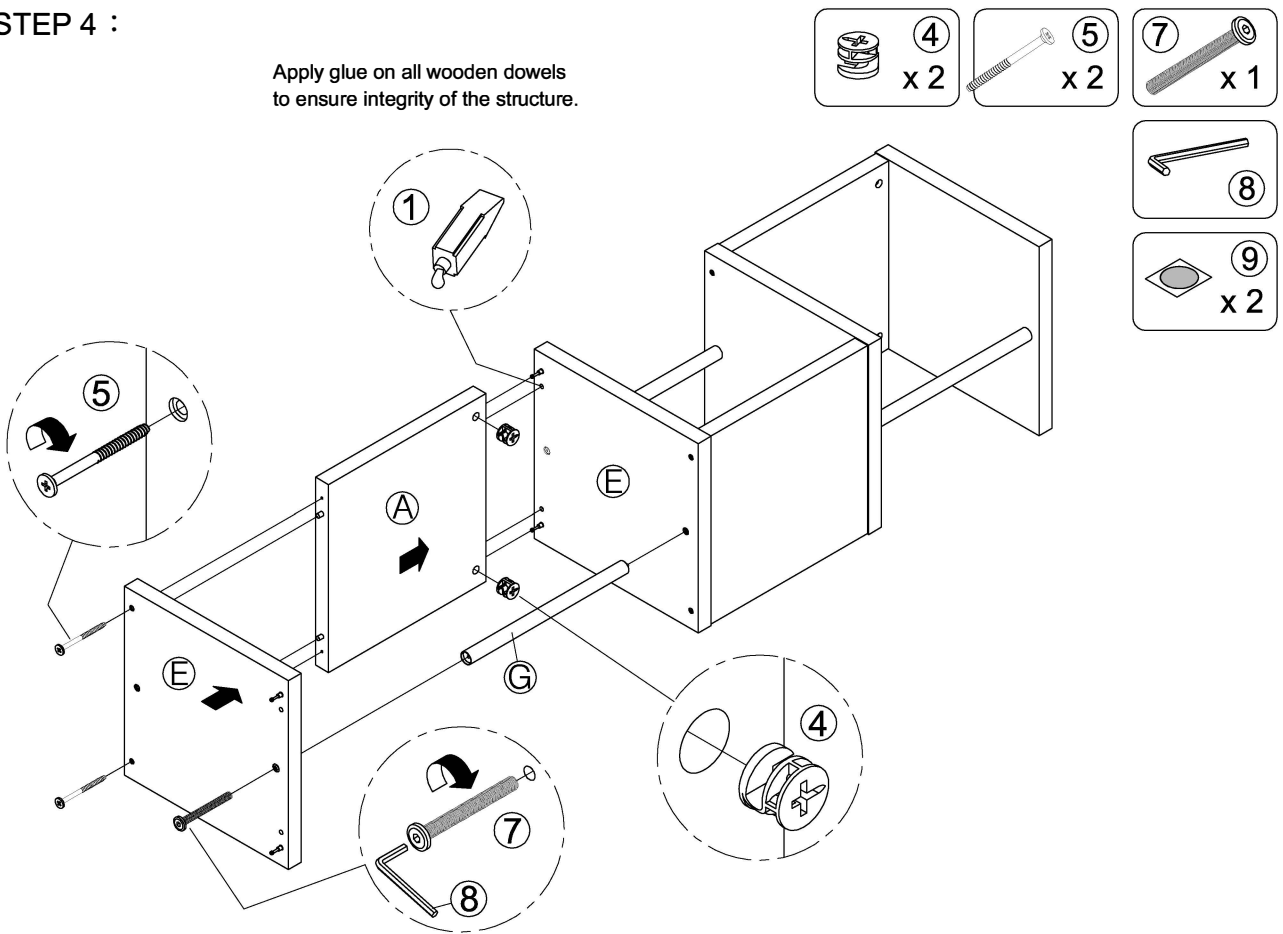


STEP 3 :

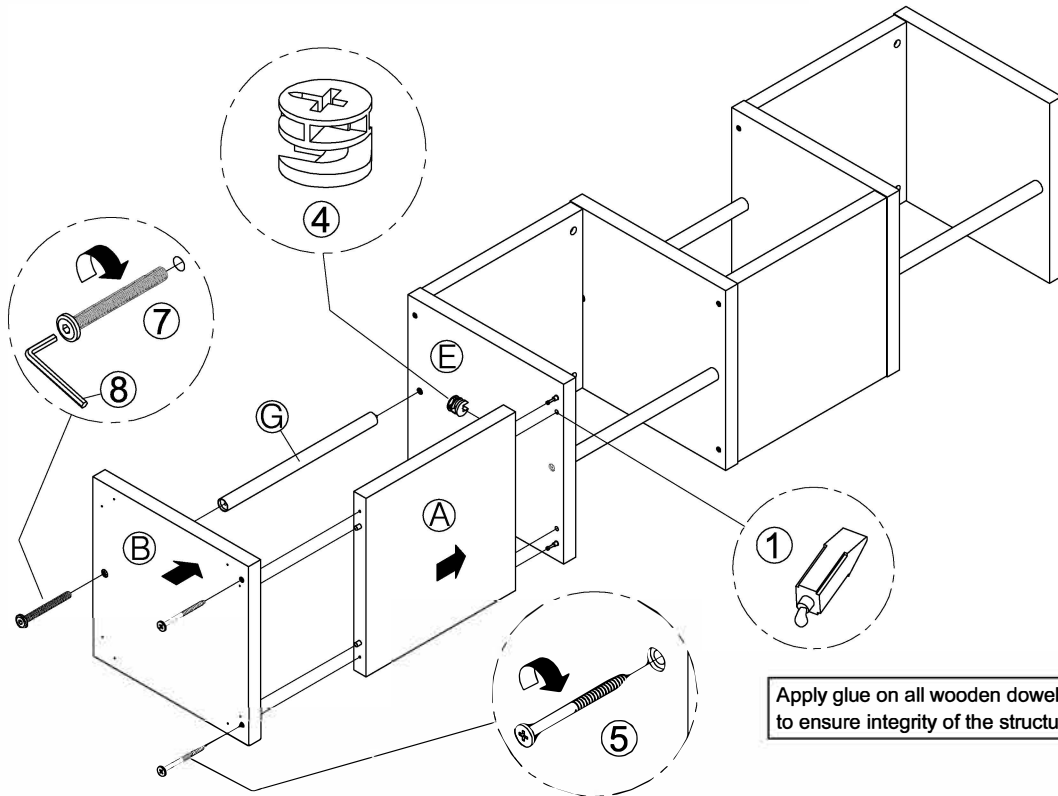
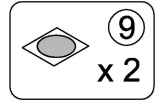
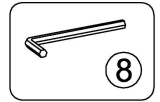
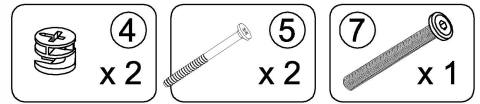


STEP 4 :

Apply glue on all wooden dowels to ensure integrity of the structure.

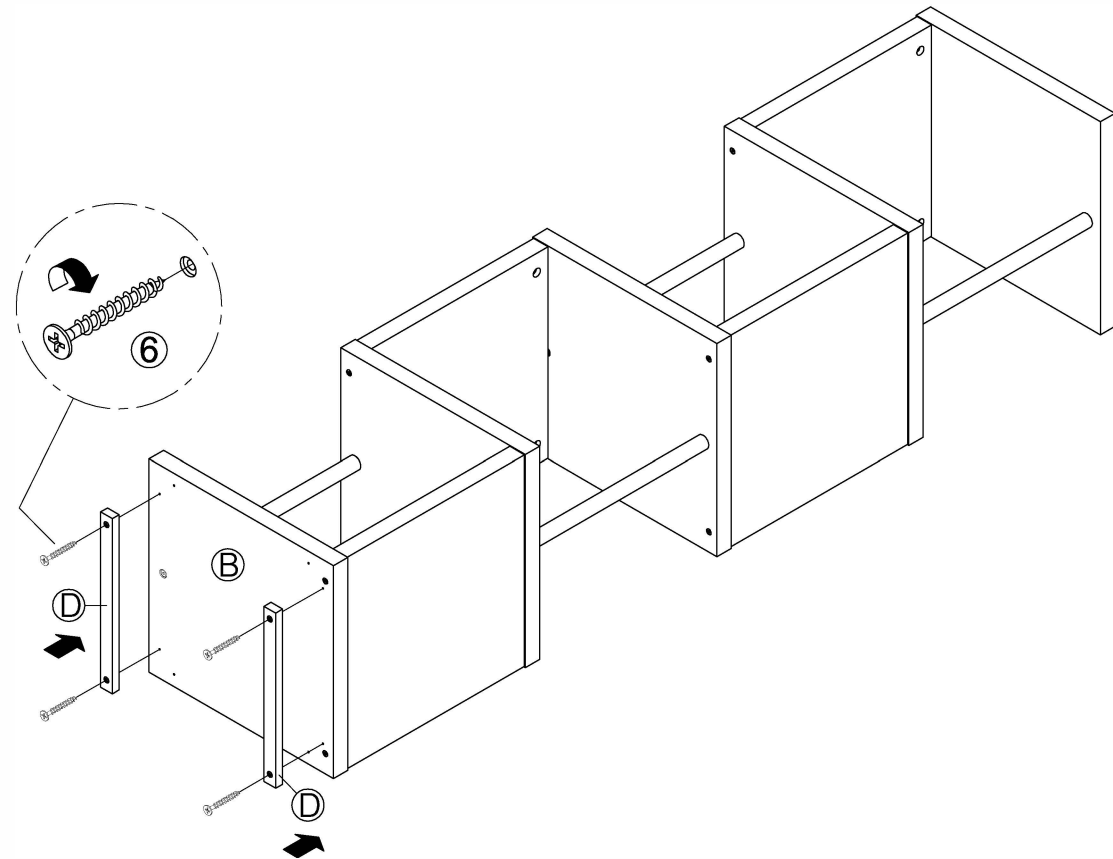
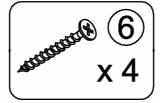


STEP 5 :

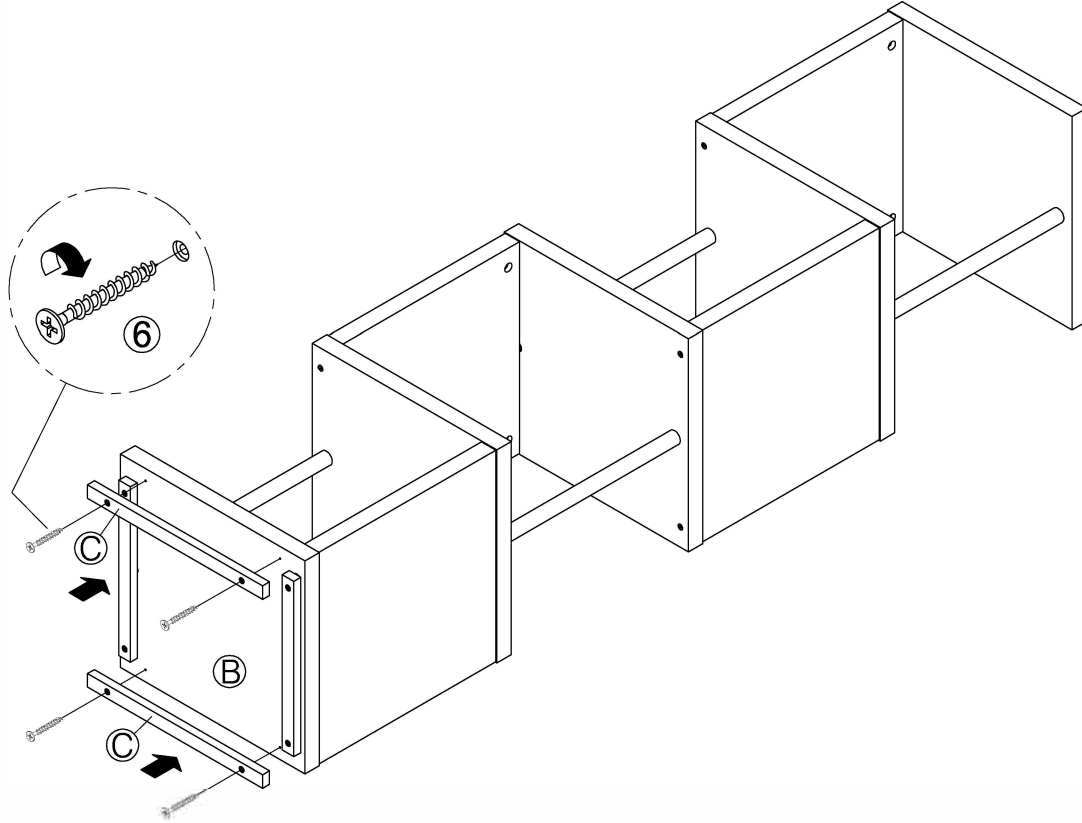
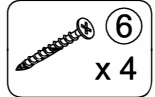


Apply glue on all wooden dowels to ensure integrity of the structure.

STEP 6 :

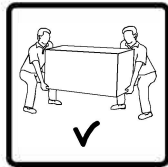
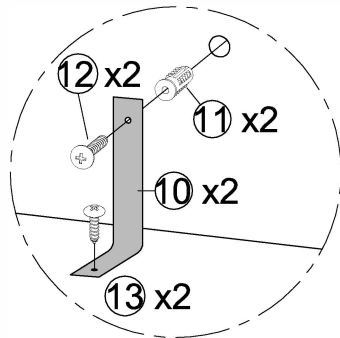


STEP 7 :



STEP 8 : ATTENTION: ANTI TIPPING SAFEGUARD

Please install the anti-tipping hardware as shown in the drawing.
This can help to prevent any tipping issues.



FURNITURE TIPPING RESTRAINT

WARNING

Injury may result from tipping furniture
This restraint is not a substitute for proper adult supervision.
This restraint may provide protection against tipping furniture.
Do not allow children to climb on furniture.
Failure to detach this restraint before moving furniture may result in injury and damage

