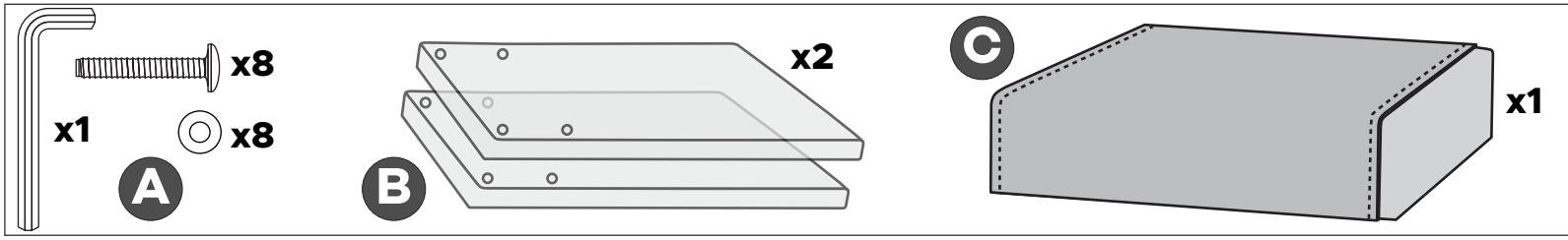
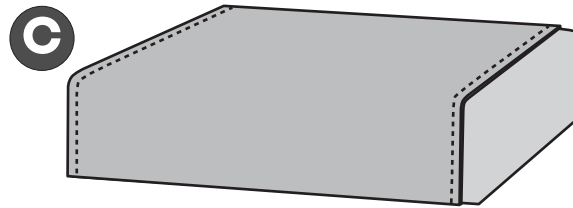


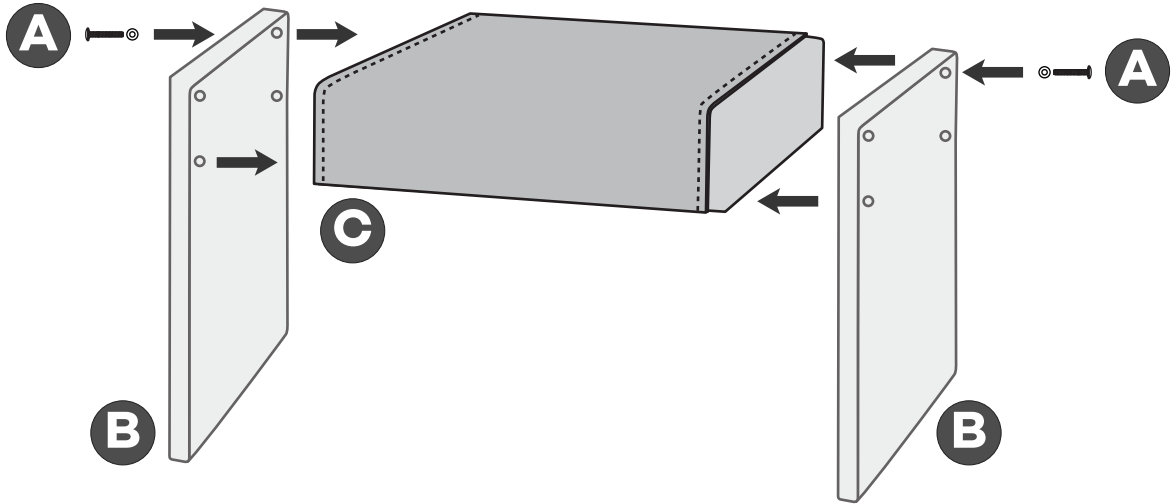
# ASSEMBLY INSTRUCTIONS



1.



2.



3.

