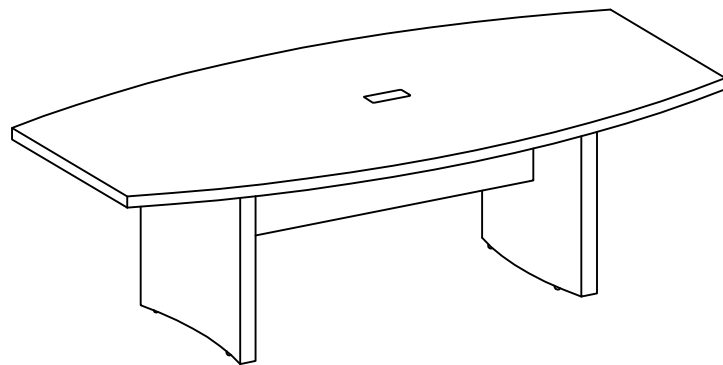
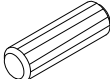
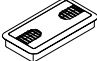

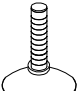





Conference Table 72" x 36"




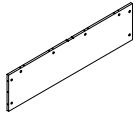
ASSEMBLY INSTRUCTIONS

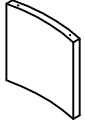
PARTS LIST

Name	Part	Qty.	Spare Qty	Name	Part	Qty.	Spare Qty
A	 Wood Dowel	8	2	E	 Grommet	1	
B	 Cam Post	18	2	F	 Leveler	4	
C	 Cam Fastener	18	2		 Hardware		
D	 Cam Sticker	18	2				

Items with HB are in hardware box.
 **Denotes Color Code

PARTS LIST

Name	Part	Qty.
J	 Top	1
K	 Modesty Panel	2

Name	Part	Qty.
L	 Table Leg	2

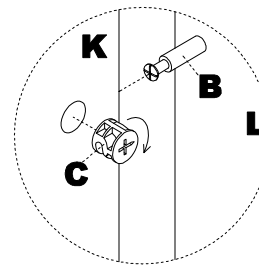
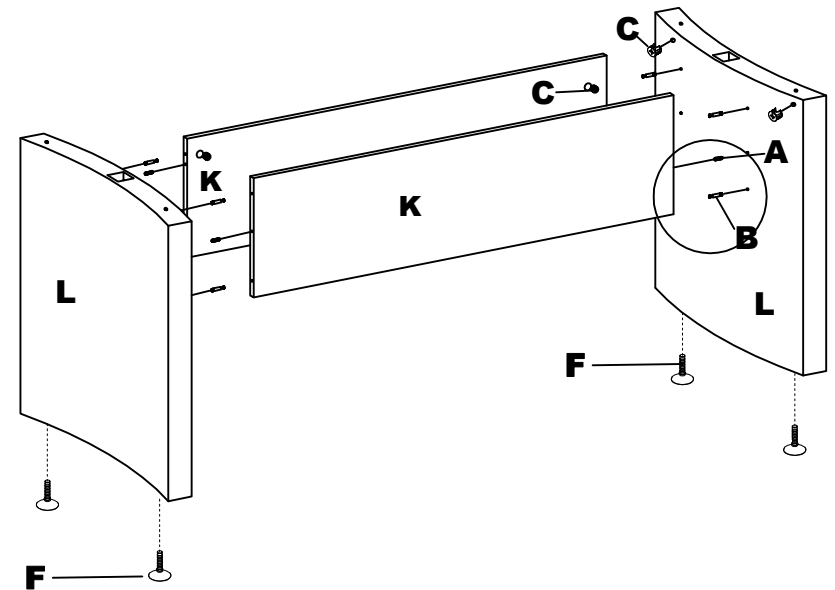
IMPORTANT!

Review ALL instructions before beginning assembly . These instructions are provided to avoid problems that may occur from improper assembly or installation. Mayline and/or its distributor are not responsible for failure resulting from improper assembly or installation of this product. Moreover, all warranties are void for failure to follow these assembly instructions.

**Denotes Color Code

2

- 1** **DO NOT** assemble table with top to floor. Table must be assembled in an upright position only.
- 2** Insert Wood Dowels (A) and Cams (C) into Modesty Panels (K). Install Cam Posts (B) into threaded inserts in Table Legs (L). Insert Cams (C) and install Levelers (F) into Table Legs (L). Secure Modesty Panels (K) to Table Legs (L) by turning Cams (C).

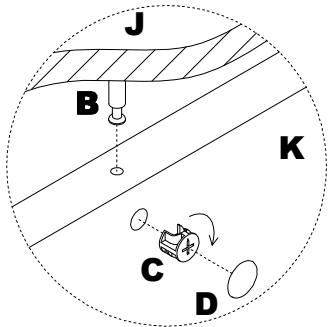
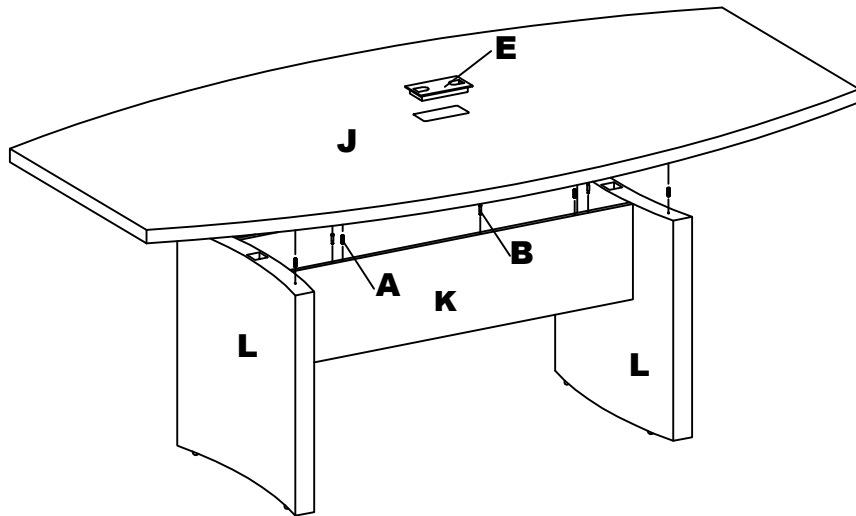


NOTE: The arrow on the face of the Cam (C) should point towards the Cam Post (B) for proper alignment.

3

3

Insert Wood Dowels (A) into the top of the Table Legs (L) and Modesty Panels (K). Insert Cams into the Modesty Panels (K). Install Cam Posts (B) into threaded inserts in the underside of the Top (J). Secure Top (J) to Modesty Panels (K) by turning Cams (C). Apply Cam Stickers (D) to exposed Cams (C). Install Cap and Grommet (E).



NOTE: The arrow on the face of the Cam (C) should point towards the Cam Post (B) for proper alignment.