

Before you get started...

We're confident you will be happy with your new Aspire bed frame.

However it is worth making sure before you unpackage and start to put it together.

Please check the following:

CORRECT COLOUR

Please make sure you are happy with the colour. There is no need to fully unpack, please just check the first component.

PACKAGING

If you're satisfied, then its time to open. Start by laying out all components on the cardboard. This will prevent the fabric getting stained or scuffed.

COMPONENTS

Finally, double check your components page and ensure you have all parts listed.

INFORMATION

- Due to the size of this product we recommend that it is assembled in the room intended for use.
- When you are ready to start, make sure that you have the right tools, plenty of space and a clean, dry area for assembly.
- Unwrap all packaging materials and place the components on top of the carton box or on a clean floor to prevent it from scratching.
- Check the pack and make sure you have all the parts listed.
- Ensure that this product is fully assembled and secured as illustrated before use.
- Check all screws or bolts are tightened and inspect regularly.
- This product should only be used on firm, level ground.
- Please dismantle for transportation
- Only use the storage compartment when the frame is fully raised in the up position.
- Make sure the legs remain in contact with the ground.
- Keep small parts out of reach of children.
- Use caution when operating, this bed uses a pressured mechanism.
- Keep hands and fingers clear of the mechanism when opening and closing the bed for use.

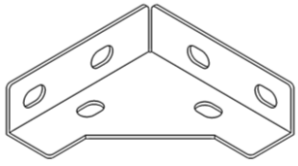
WARNINGS

- **DO NOT** use power tools to construct this product.
- **DO NOT** tighten screws until fully assembled.
- **DO NOT** over tighten screws or bolts.
- **DO NOT** use this product if parts are missing, damaged or worn.
- **DO NOT** stand on the product.
- **DO NOT** remain on the bed whilst the lifting mechanism is in use.
- **DO NOT** expose this product to dripping or splashing, rain or areas with heavy moisture.
- **DO NOT** place any objects filled with liquids, such as vases, on the product.
- **DO NOT** insert foreign objects into the product or attempt to repair this unit by yourself.
- **DO NOT** place the product in direct sunlight, open flames such as candles or heat, such as radiators. Keep away from temperatures over 35oC.

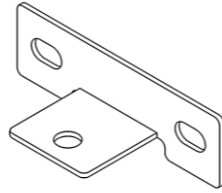
CARE INSTRUCTIONS

- Hair products such as hairsprays, oils and gels may affect the finish. Avoid prolonged contact with such products.
- Regular cleaning is essential to avoid build up of these products on the surface.
- Avoid exposure to direct or prolonged periods of sunlight and position away from direct heat sources such as radiators.
- Care should be taken to avoid spilling anything on the upholstery. If a spillage occurs act promptly and soak up any liquids by blotting with a clean absorbent cloth. Never rub to remove stains. Never use a wet cloth.
- If a spillage does occur, blot any liquids immediately with a clean, dry absorbent cloth and allow to dry naturally.
- For more stubborn stains a professional upholstery cleaner should be consulted.
- Clean periodically in situ using a professional cleaning company.
- Do not drag the frame across the floor.
- All assembly fixings should always be tightened properly and periodically check all fixings and tighten if necessary.

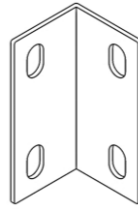
A. Grey Corner Brackets



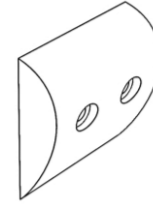
B. Slit Frame Centre Bracket



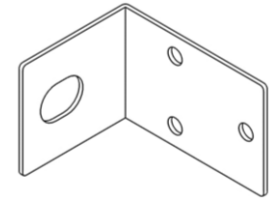
C. Small Corner Bracket



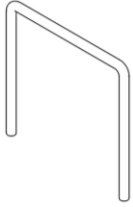
D. Rail Protectors



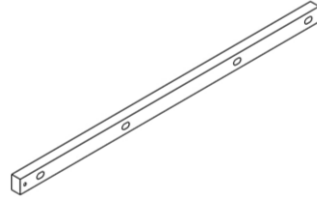
E. Cross Beam Bracket



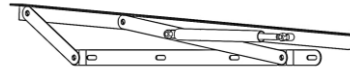
F. Mattress Hold



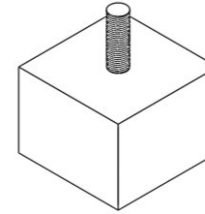
G. Ottoman Arm Mount



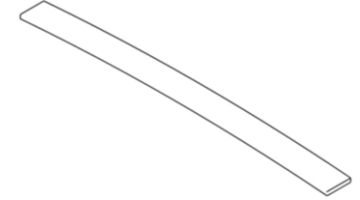
H. Ottoman Arm & Piston



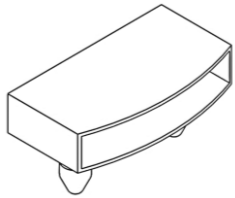
I. Foot



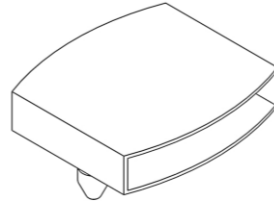
J. Slit



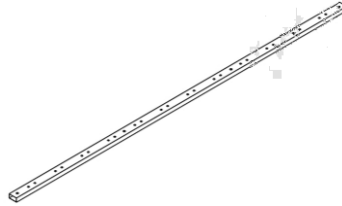
K. Outer Slit Mount



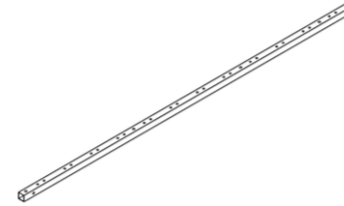
L. Central Slit Mount



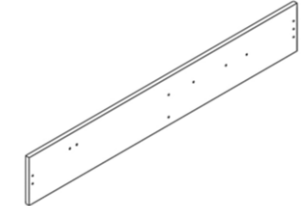
M. Centre Rail



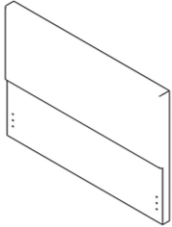
N. Side Rail



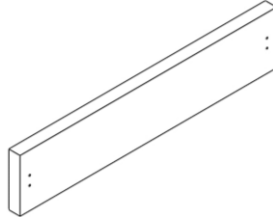
O. Side Board



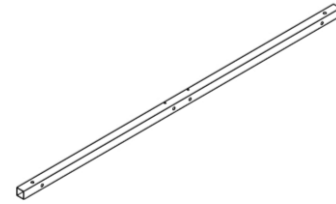
P. Headboard



Q. Footboard



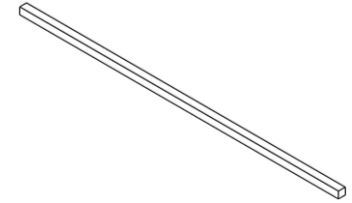
R. Head/Foot Rail



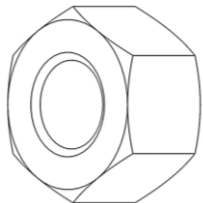
S. Centre Support



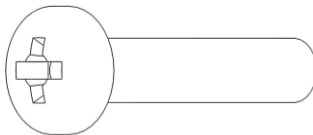
T. Wooden Cross Beam



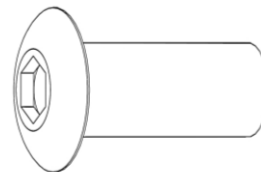
U. Nut



V. M8 x 40mm Phillips Bolt



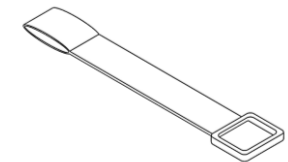
W. M8 x 20mm Allen Bolt



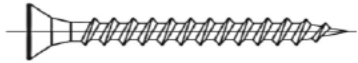
X. M8 x 50mm Allen Bolt



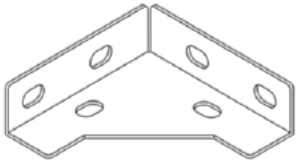
Y. Mechanism Fabric Handle



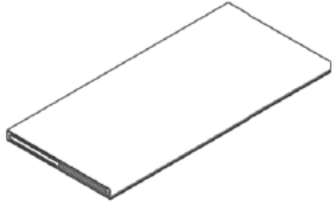
Z. 3x20mm Self Tapping Screws



AA. Silver Corner Brackets



AB. Fabric Under Sheet



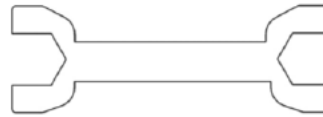
Additional components may be included however this is to ensure there are spares if required.

Tools

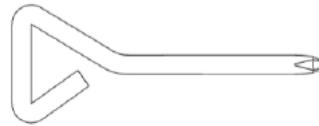
Allen Key



Spanner



Screwdriver



Component	3'	4'	4'6	5'	6'
A	4	4	4	4	4
B	0	2	2	2	2
C	4	4	4	4	4
D	6	6	6	6	6
E	2	2	2	2	2
F	1	1	1	1	1
G	2	2	2	2	2
H	2	2	2	2	2
I	4	4	4	4	4
J	12	24	24	26	26
K	24	24	24	26	26
L	0	12	12	13	13
M	0	1	1	1	1
N	2	2	2	2	2
O	2	2	2	2	2
P	1	1	1	1	1
Q	1	1	1	1	1
R	2	2	2	2	2
S	0	2	2	2	2
T	1	1	1	1	1
U	22	28	28	28	28
V	26	32	32	32	32
W	34	34	34	34	34
X	4	4	4	4	4
Y	1	1	1	1	1
Z	18	18	18	18	18
AA	5	5	5	5	5
AB	1	1	1	1	1

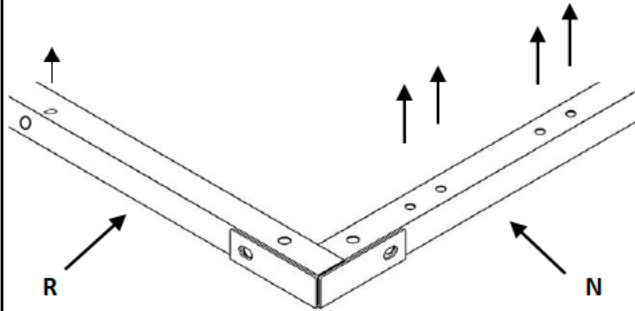
IMPORTANT PISTON INFORMATION

The pistons used in the construction of this product are extremely strong and cannot be operated by hand when not fitted to the ottoman hinges. All pistons are tested in the factory for correct pressure and operation before use.

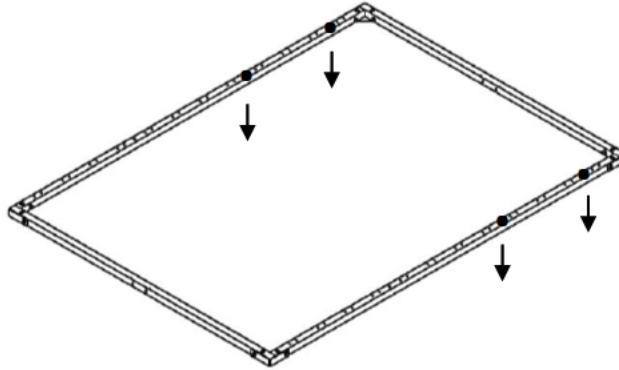
Initially it might appear that the pistons are very stiff when opening and closing the ottoman frame, THIS IS NORMAL.

After operating the ottoman a few times, the movement of the pistons and the opening and closing of the ottoman will become easier.

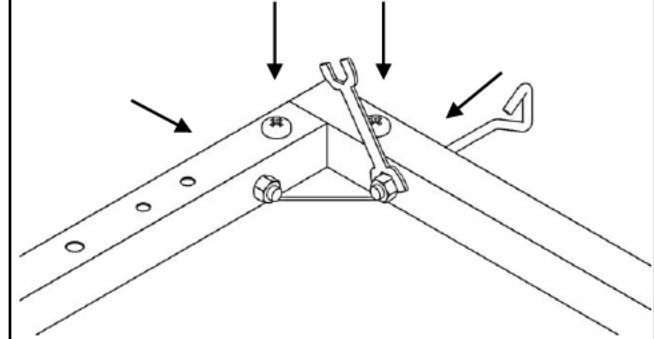
1) Position 4 Grey Corner Brackets (A), Side Rails (N), and Head/ Foot Rails (R). Ensure holes in the Head/Foot Rails for mattress holder face upwards. Ensure slat holes on Side Rails face upwards.



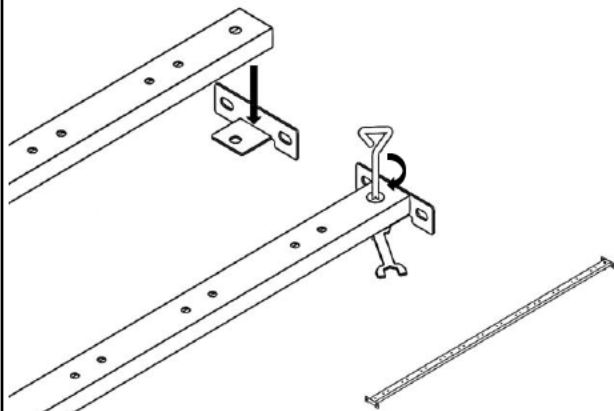
2) Ensure the 2 larger through holes in the Side Rails (N) are at the same end of the completed sub-frame.



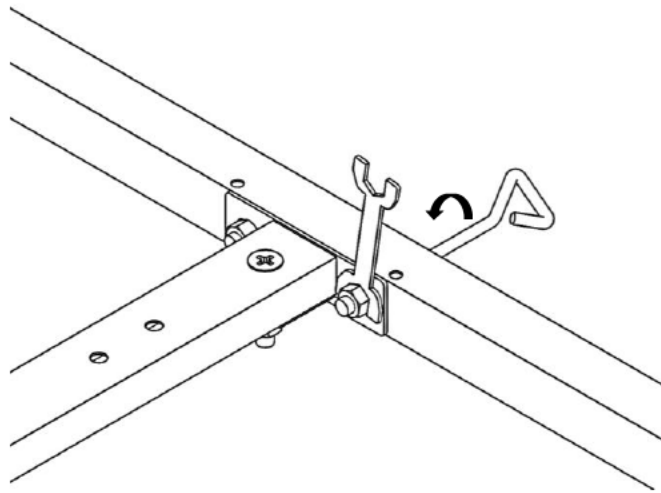
(3) Tighten the Nuts (U) and M8x40mm Phillips Bolts (V) using the Screw Driver and Spanner Provided. Ensure the nuts are on the inner side of the slat frame. **If Frame is 3ft skip to Step 7).**



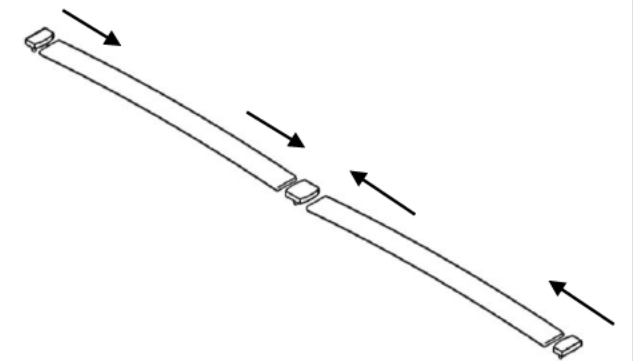
4) Attach Centre Brackets (B) to both ends of the Centre Rail (M) using Nuts (U) and M8x40mm Phillips Bolts (V) with the Screwdriver and Spanner provided.



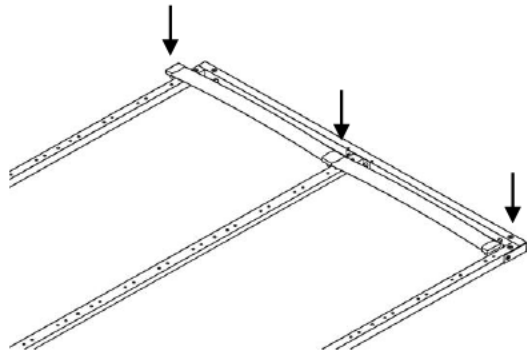
5) Attach the Centre Brackets (B) to the Centre of the Head/Foot Rails (R) with Nuts (U) and M8x40mm Phillips Bolts (V) with the Screwdriver and Spanner provided.



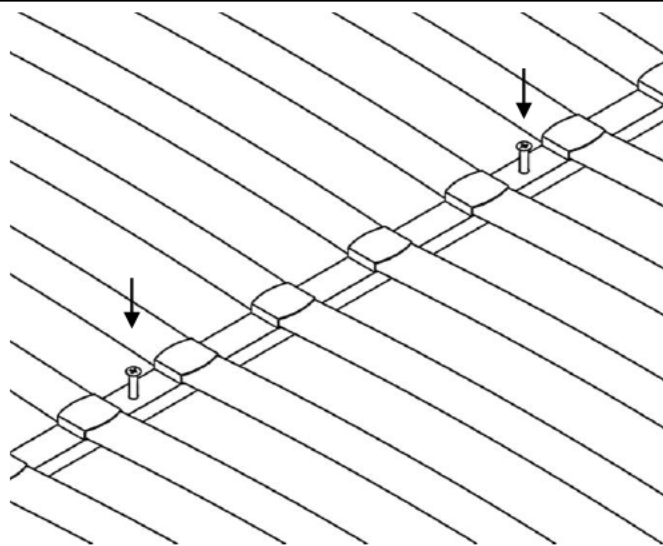
6) Connect 2 x Slats (J) with 2 x Outer Slat Mount (K) and 1 x Central Slat Mount (L). Repeat this step with all the slats.



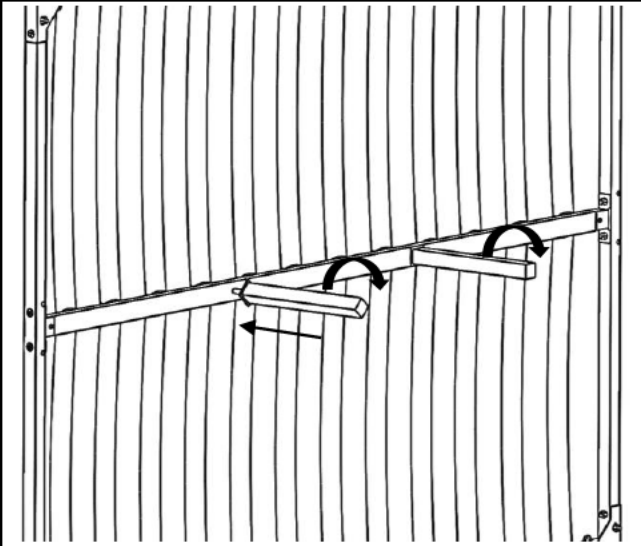
7) Press the connected slats and mounts into the Slat Frame. **If 3ft skip to 10.**



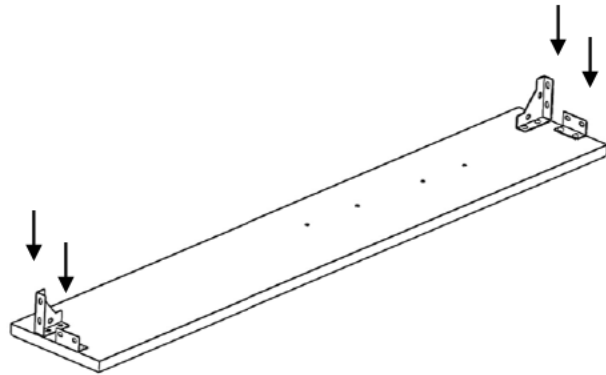
8) Insert M8x40mm Bolts (V) into 2 larger through-holes on the Centre Rail (M)



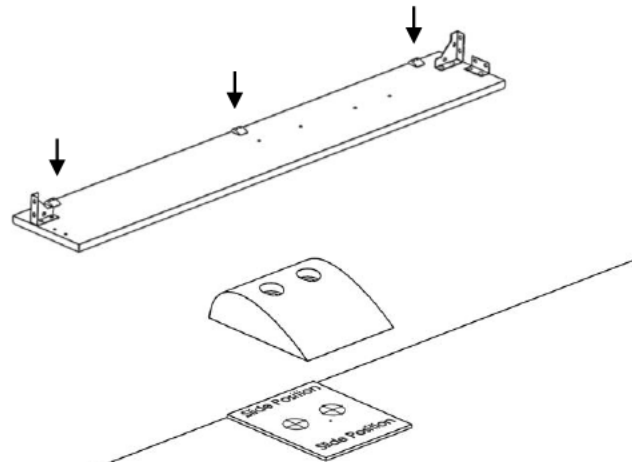
9) Turn the Slat Frame on its side and screw the Centre Supports (S) into the Centre Rail (M). These only need to be hand tight for now.



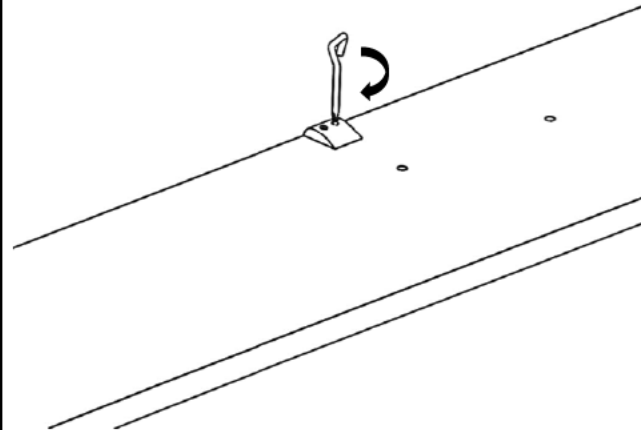
10) Lay down both Side Boards (O) and attach Small Corner Brackets (C) and Silver Corner Brackets (AA) using Allen Bolts (W). Only finger tighten for now.



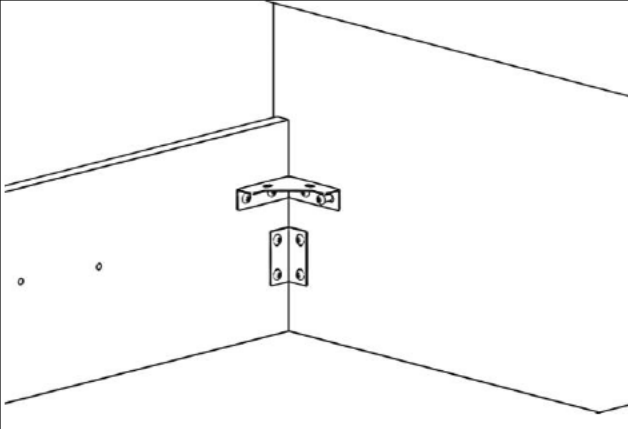
11) Fit Rail Protectors (D) to the left and right Side Boards, positioned as shown below. Line up to labels attached .



12) Attach the Rail Protectors (D) using the 3x20mm Self Tapping Screws (Z) and Screwdriver.

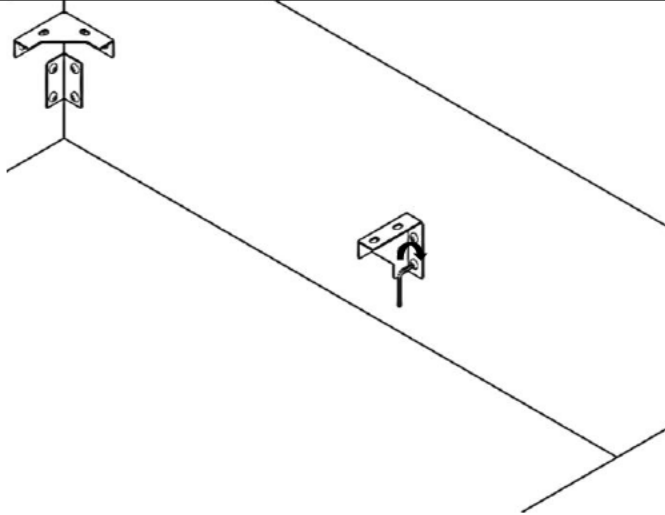


13) Attach the Small Corner Brackets (C), Silver Corner Brackets (AA) and Side Boards (O) to the Headboard (P) Using the M8 x 20mm Allen Bolts (W). Only finger tighten.

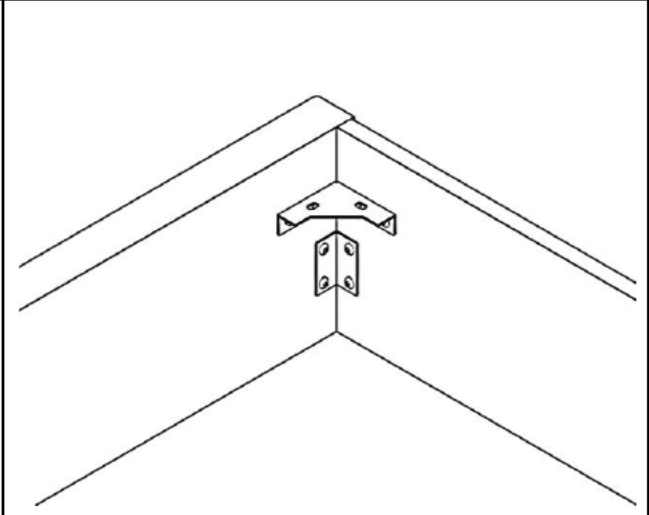


Note: Ensure 4 remaining holes in each Side Board are closest to the Headboard

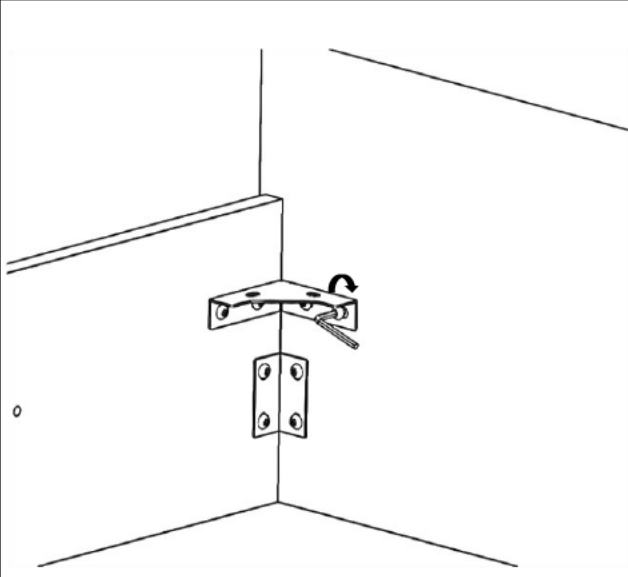
14. Attach a Silver Corner Bracket (AA) on a 90° angle as a centre support on the Headboard (P) using the M8 x 20mm Allen Bolts (W). Tighten with Allen Key.



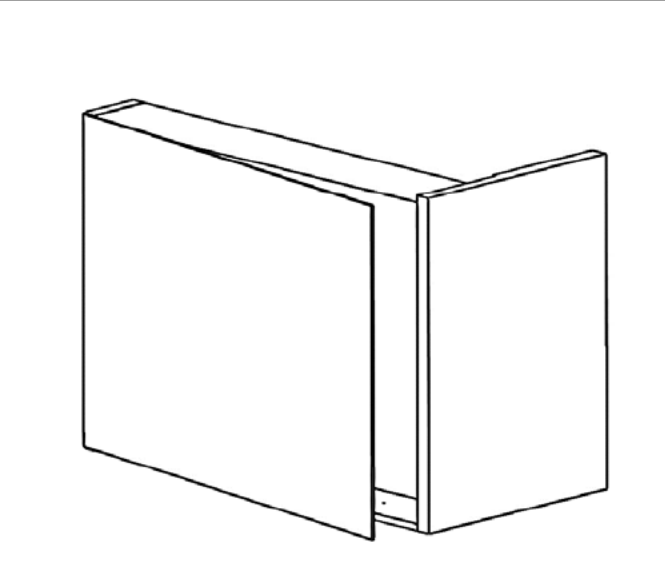
15) Attach the Side Boards (O), Silver Corner Brackets (AA) and Small Corner Brackets (C) to the Footboard (Q) using M8 x 20mm Allen Bolts (W). Only finger tighten.



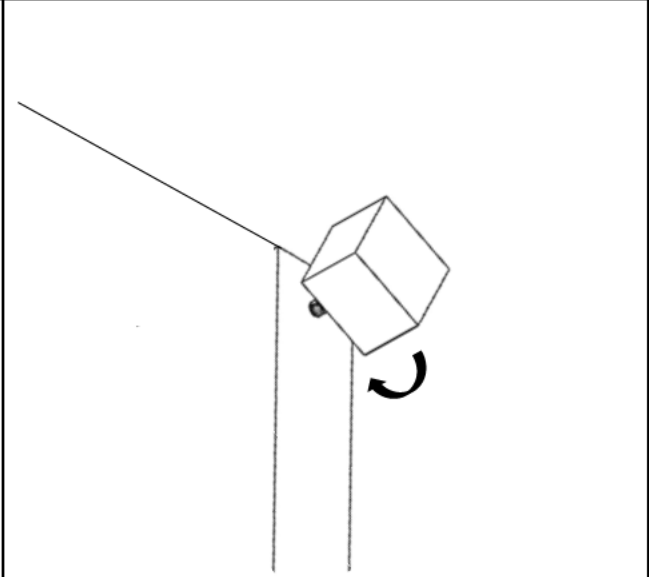
16) Once all 4 corners are correctly positioned, tighten all Allen Key Bolts (W) using provided Allen Key.



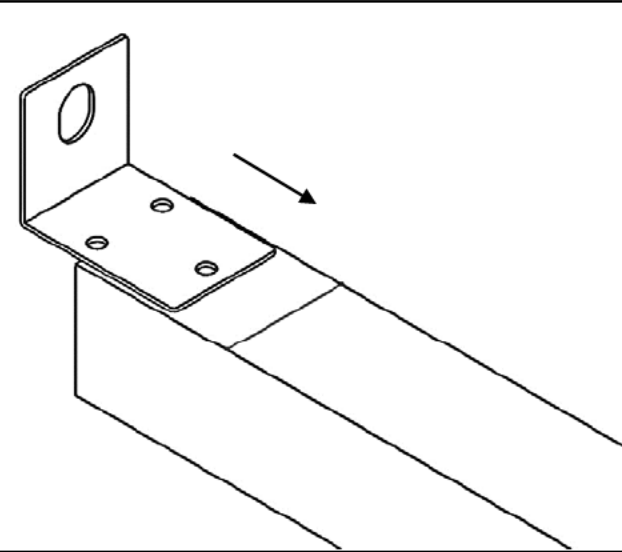
17) Turn whole upholstered frame on its side and attach the Fabric Under Sheet (AB) using the Velcro attached.



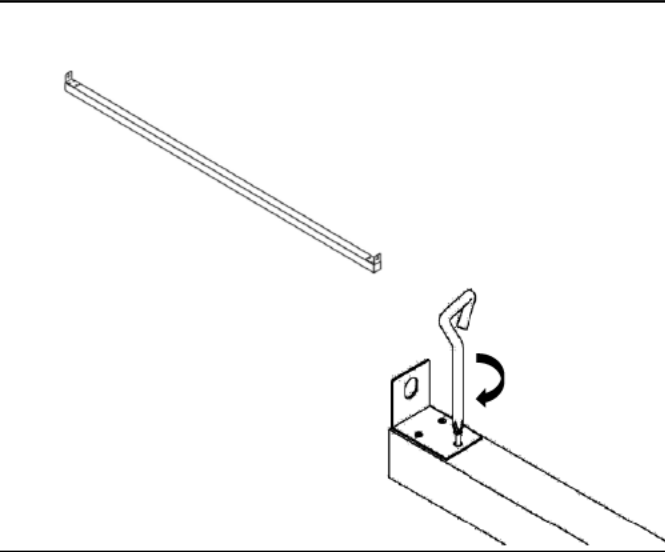
18) Screw the 4 Feet (I) into place on the Headboard (P) and Footboard (Q)



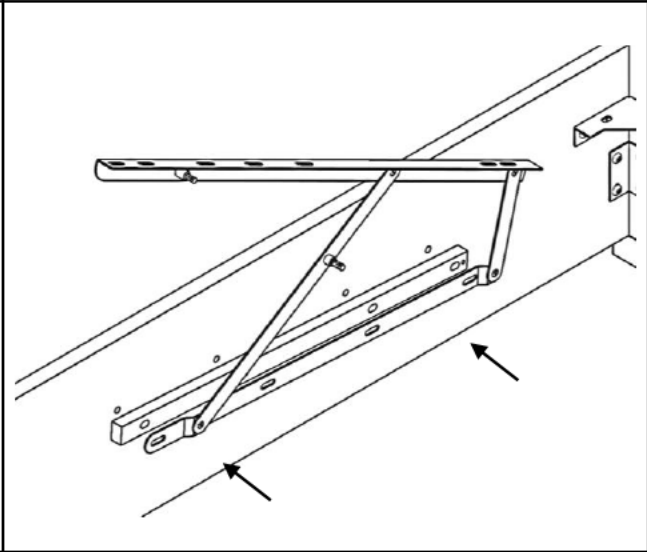
19) Line up the Cross Beam Brackets (E) with the marked lines on the Wooden Cross Beam (T).



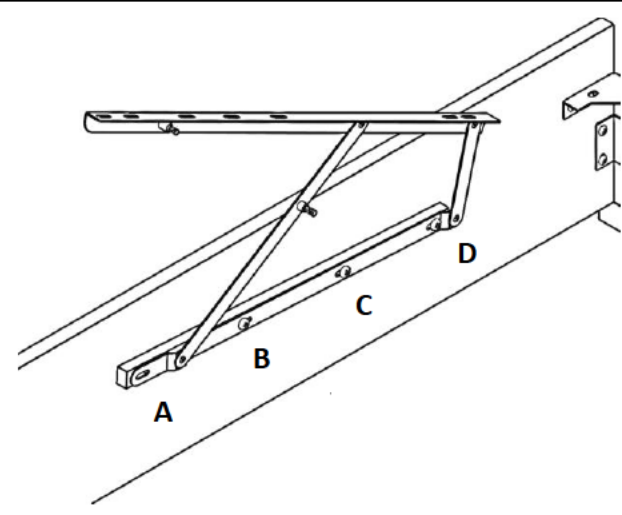
20) Attach the Cross Beam Brackets (E) to the Wooden Cross Beam (T) with six 3x20mm Self Tapping Screws (Z) using the Screwdriver provided.



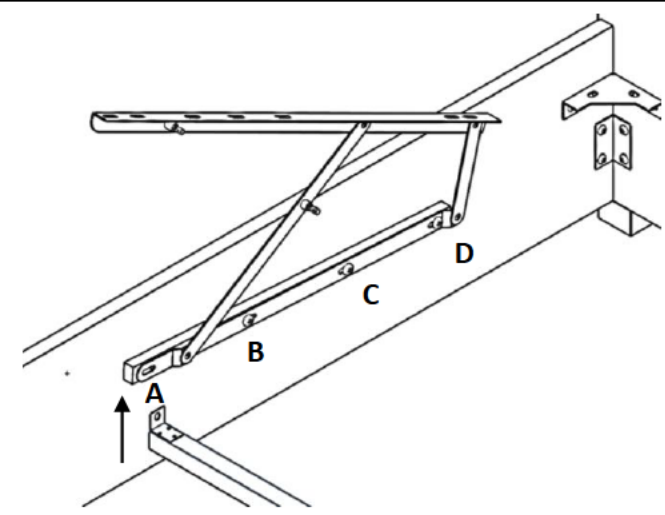
21) Next Attach the Ottoman Arms (H) and Ottoman Arm Mount (G) to the Side Boards (O).



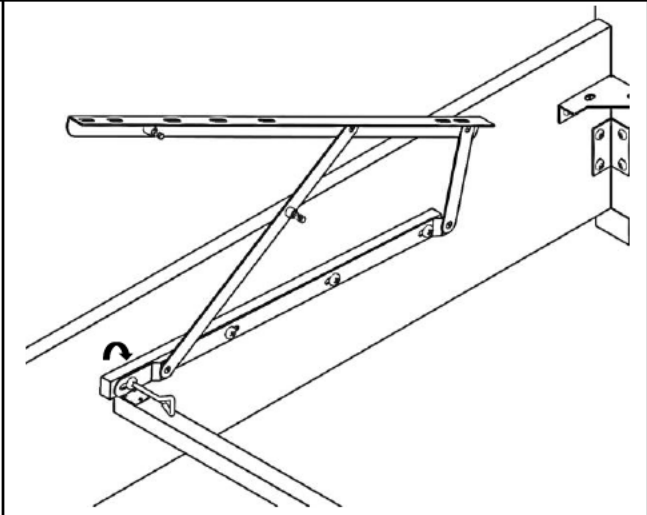
22) Finger tighten M8 x 40mm Phillips Bolts (V) into points B, C & D



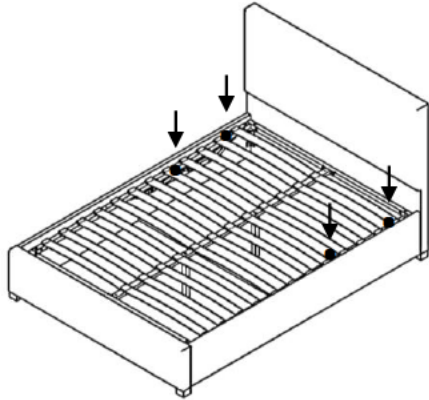
23) Position the Wooden Cross Beam (T) at point A with the Cross Beam Bracket (E) between the Ottoman Arm Mount (G) and the Side Board (O).



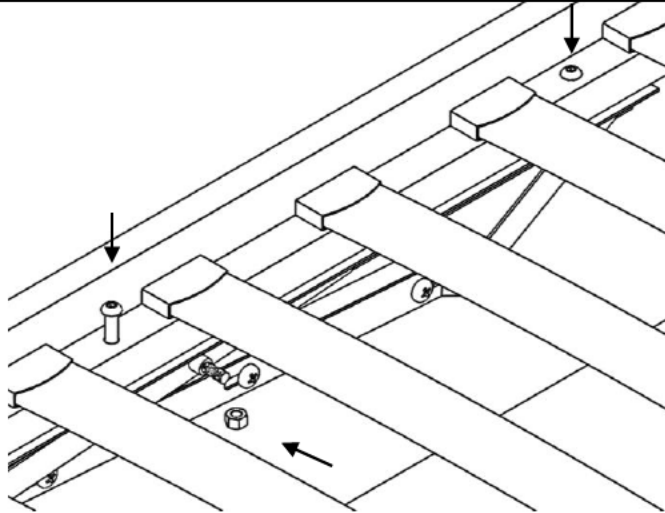
24) Screw the Cross Beam into place using M8 x 40mm Phillips Bolt (V) and tighten using Screwdriver. Tighten remaining 3 Phillips Bolts using Screwdriver. Repeat on opposite side



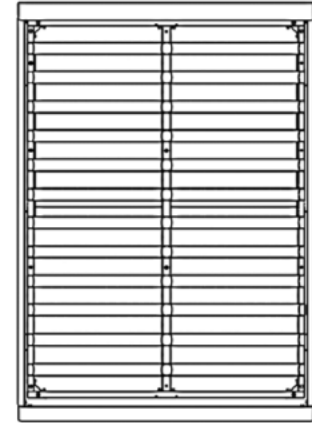
25) Position the Slat Frame on top of the Ottoman Arms. The large through holes in the Slat Frame need to be at the headboard end of the upholstered frame. 2 people are required for the remaining steps.



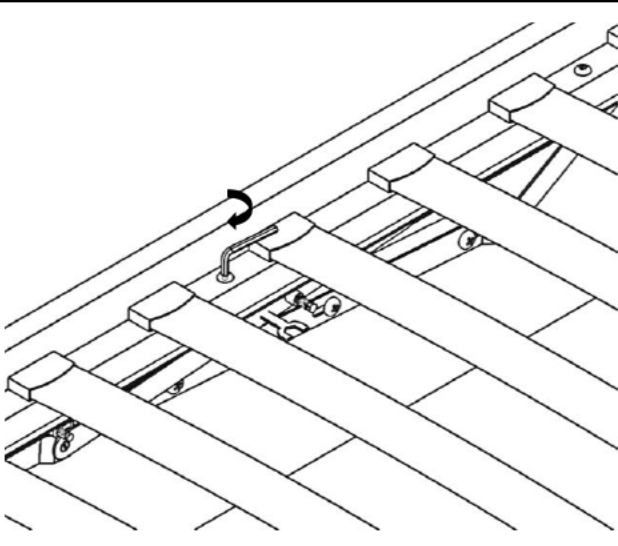
26) Screw the Slat Frame to the Ottoman Arms (H) using M8 x 50mm Allen Bolts (X) and Nuts (U). Only finger tighten these for now. Two Nuts and Allen Bolts for each side.



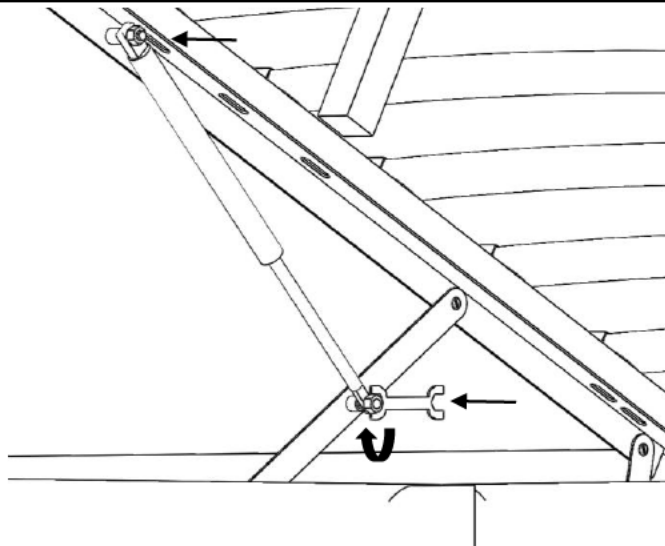
27) Correctly position the Slat Frame so it can move up and down without obstruction.



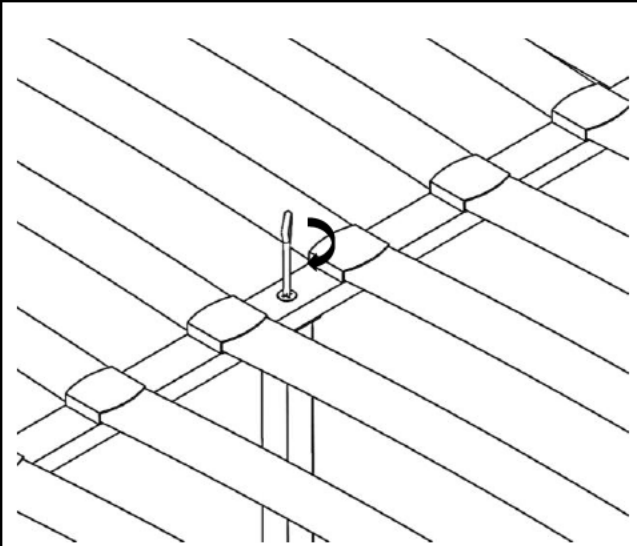
28) Tighten the M8 x 50mm Allen Bolts (X) and Nuts (U) using the Allen Key and Spanner provided.



29) Connect both Pistons using the attached locking nuts. Tighten using Spanner provided. *

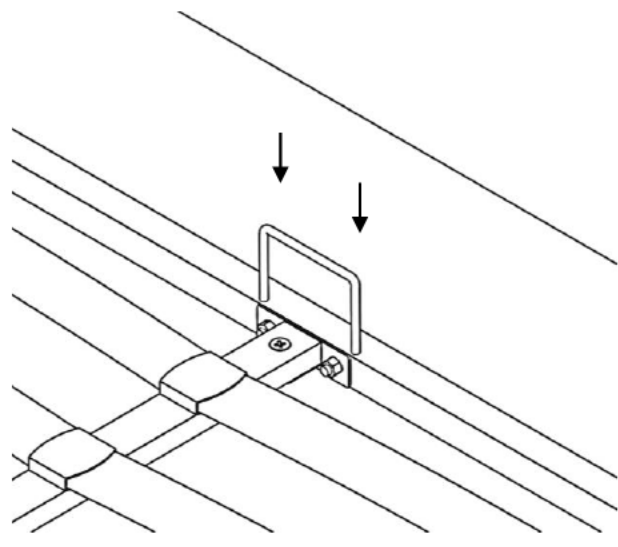


30) Tighten up the Centre Supports (S) using the Screw Driver provided.



Pistons will be stiff to begin with. They will ease with time. Only operate with Mattress in place.

31) Position the Mattress Hold (F) at the headboard end of the Slat Frame.



32) Attach the Mechanism Fabric Handle (Y) to the footboard end of the slat Frame. Loop through itself around the Foot Rail.

