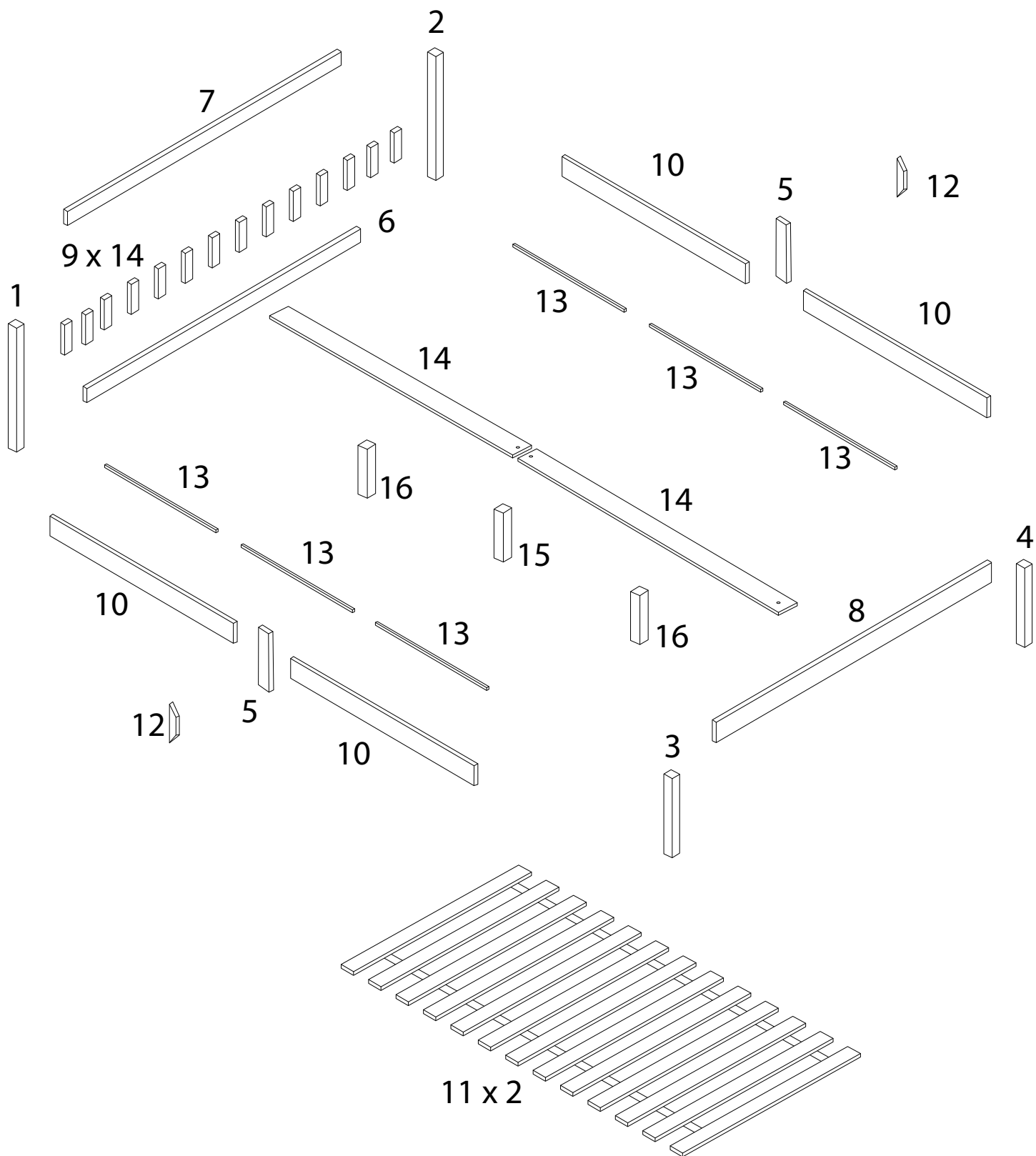


		60'
		2



1



x 1

2



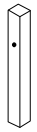
x 1

3



x 1

4



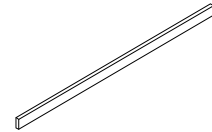
x 1

5



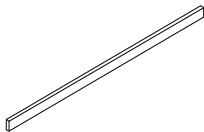
x 2

6



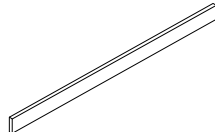
x 1

7



x 1

8



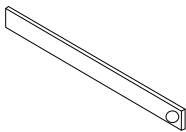
x 1

9



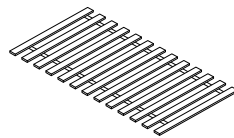
x 14

10



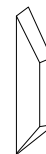
x 1

11



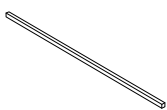
x 2

12



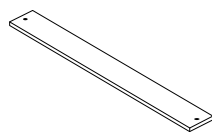
x 2

13



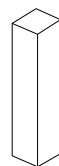
x 6

14



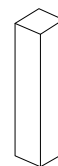
x 2

15



x 1

16



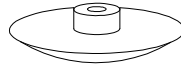
x 2

M



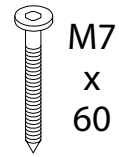
x 94

N



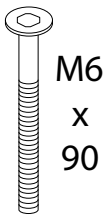
x 14

P



x 6

Q



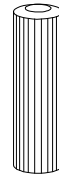
x 12

R



x 12

S



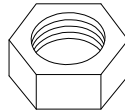
x 82

T



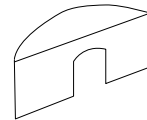
x 2

U



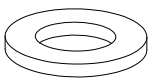
x 4

V



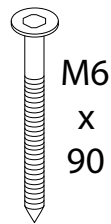
x 4

W



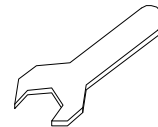
x 4

X



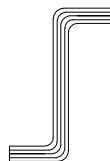
x 2

Y



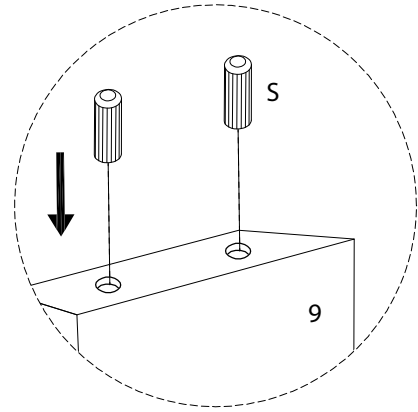
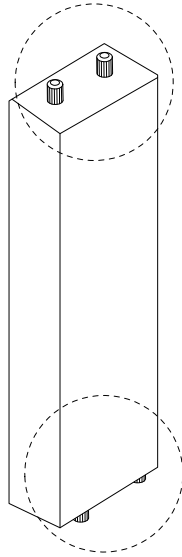
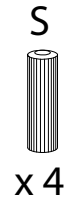
x 1

Z

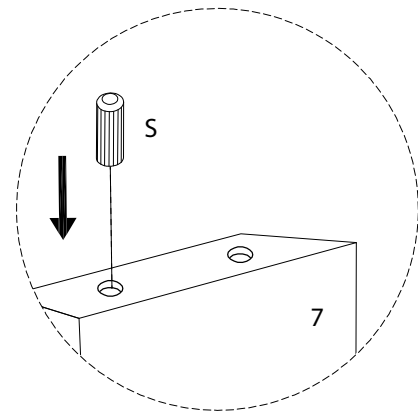
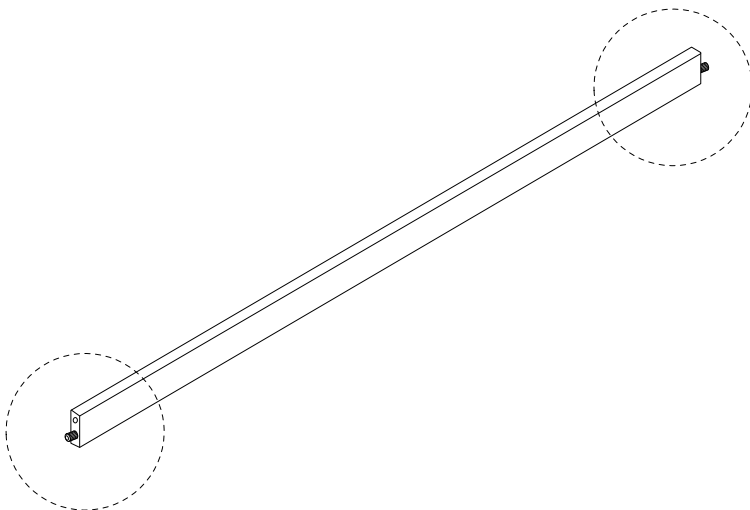
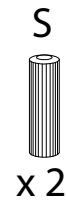
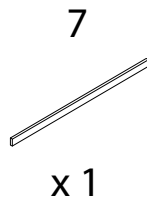


x 1

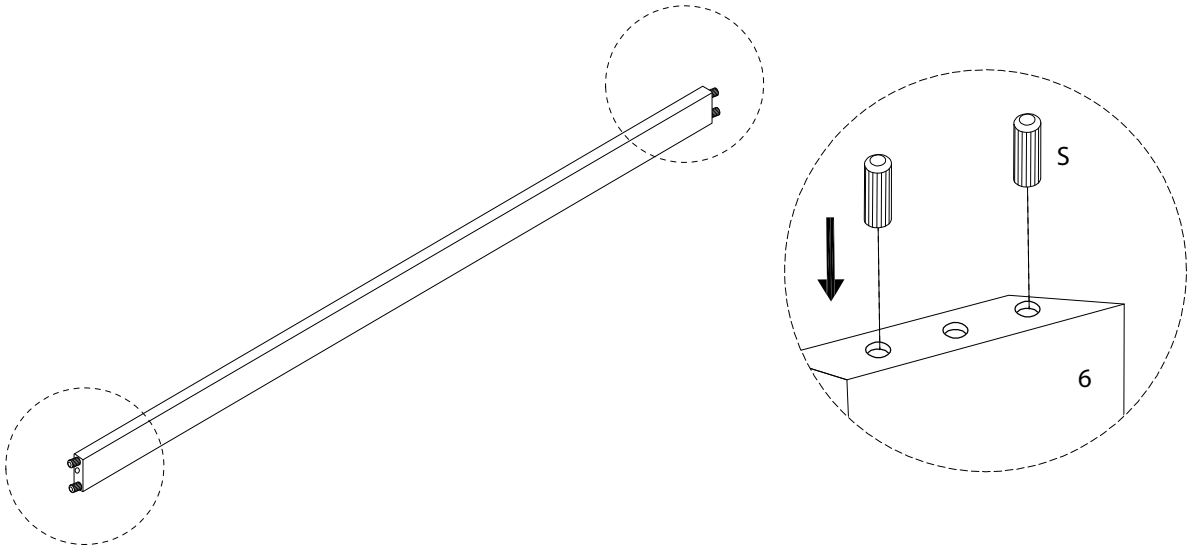
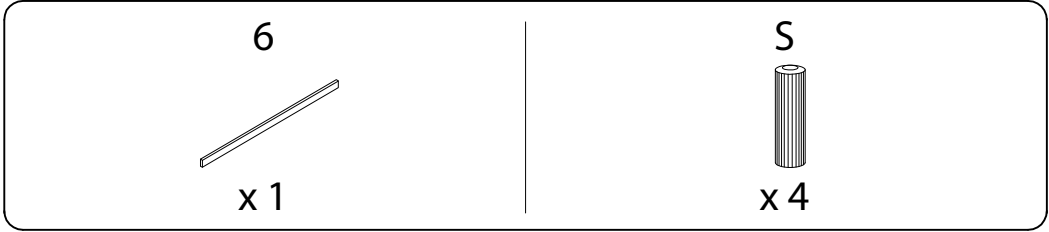
1 x 14



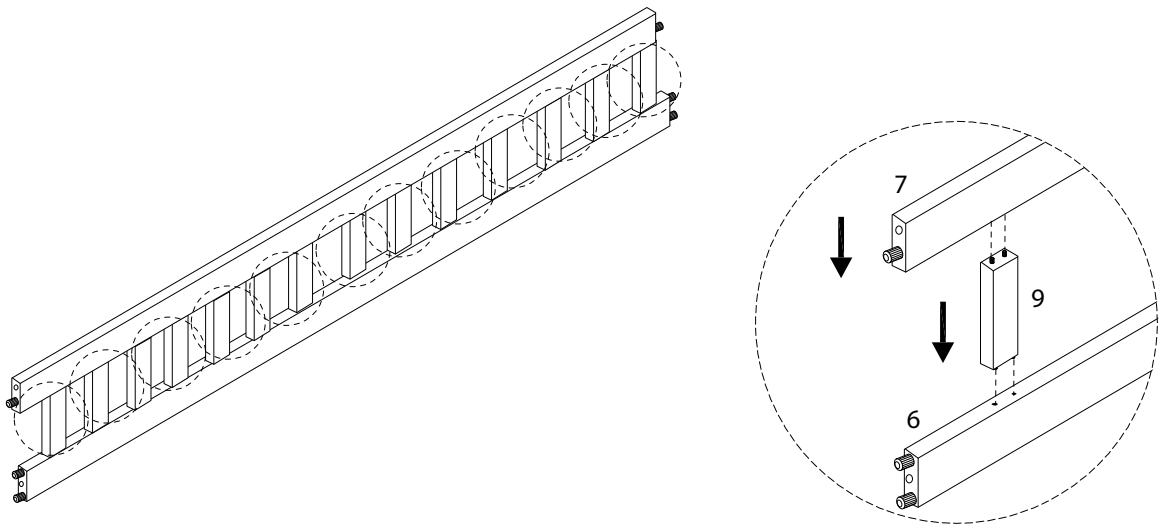
2



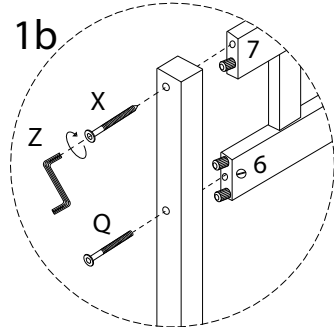
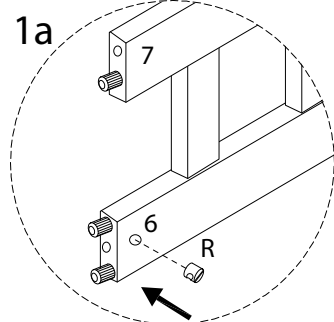
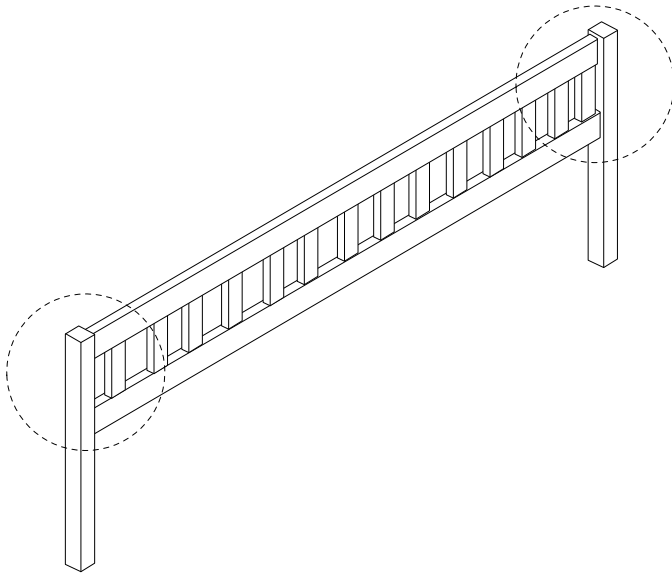
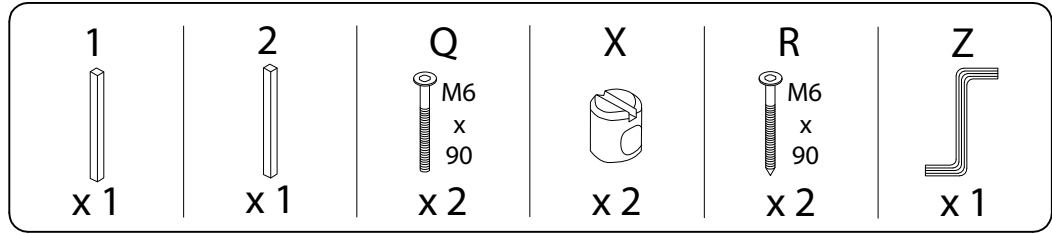
3



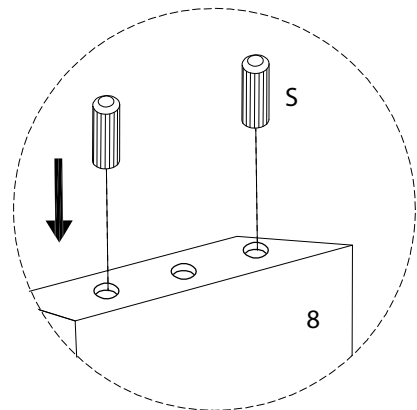
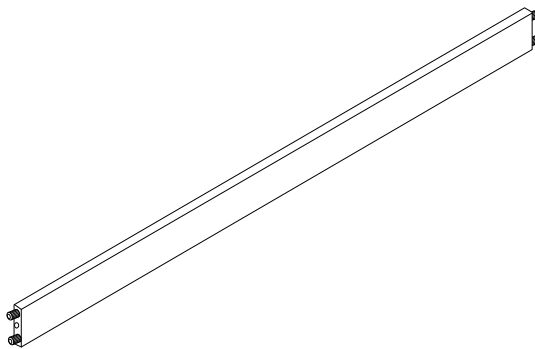
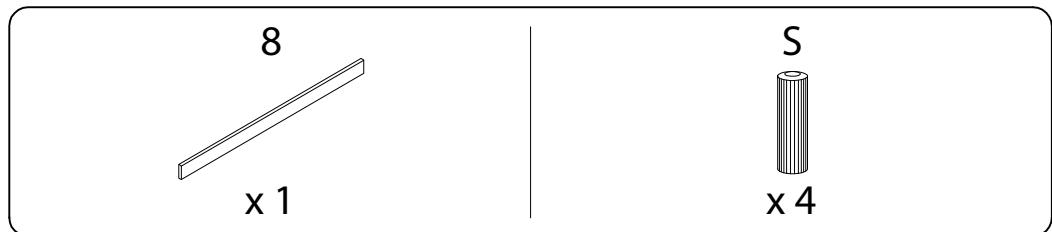
4



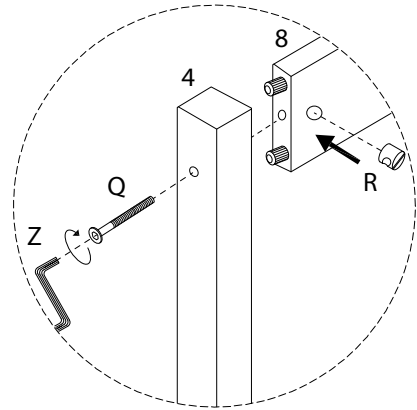
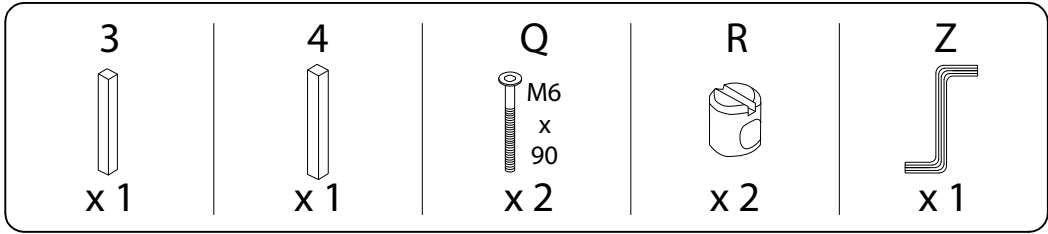
5



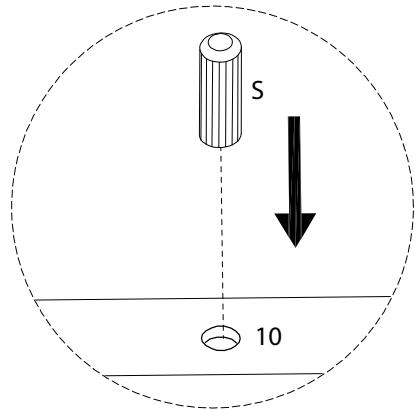
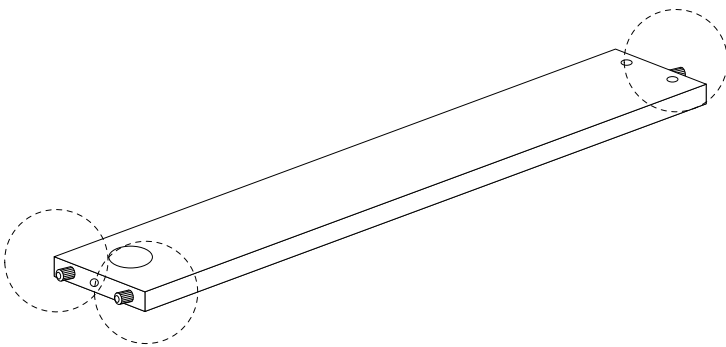
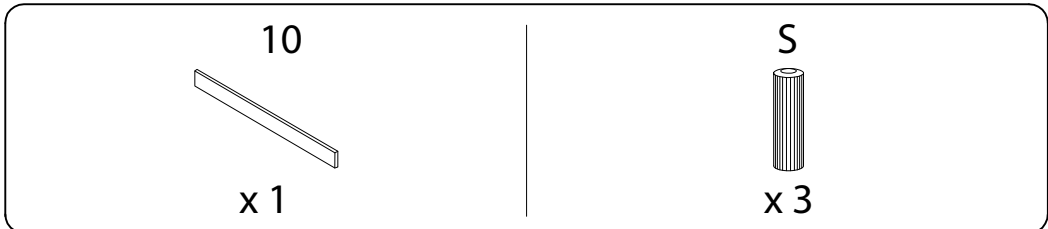
6



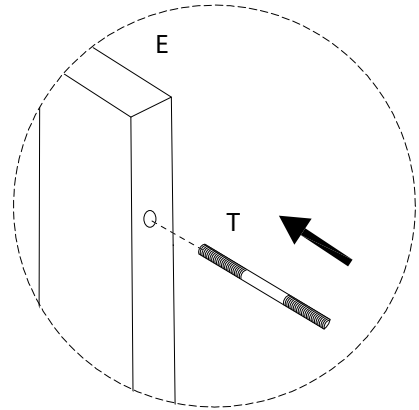
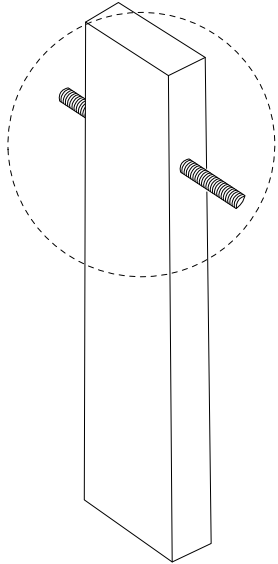
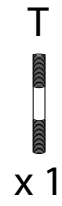
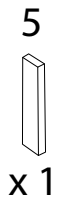
7



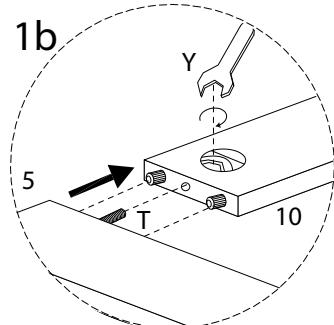
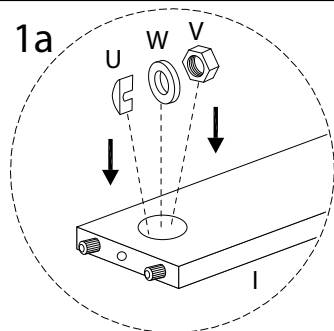
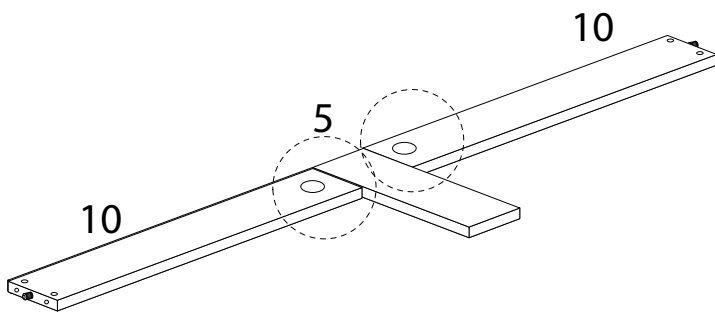
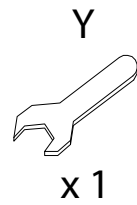
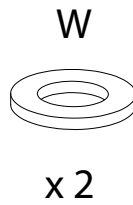
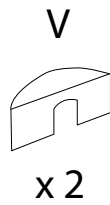
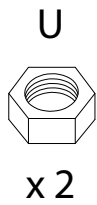
8 x 4



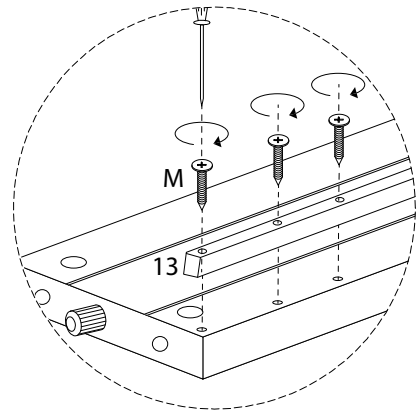
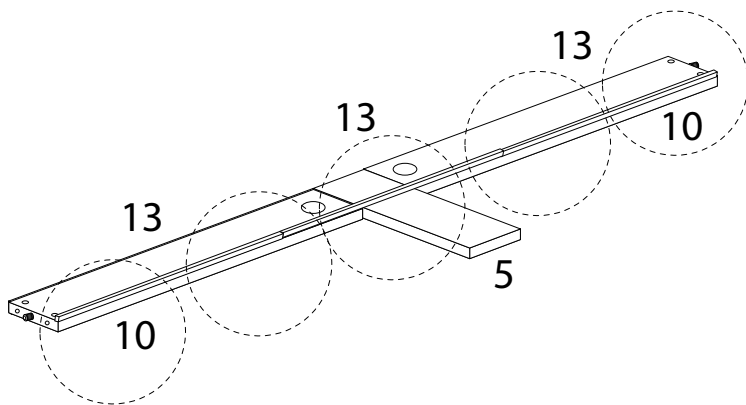
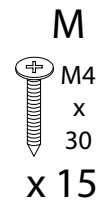
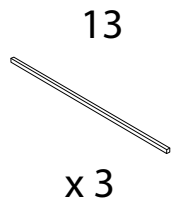
9 x 2



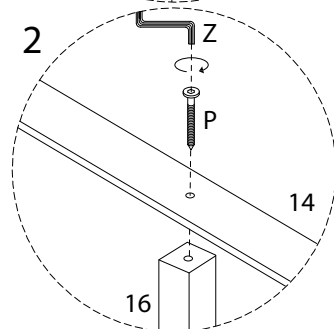
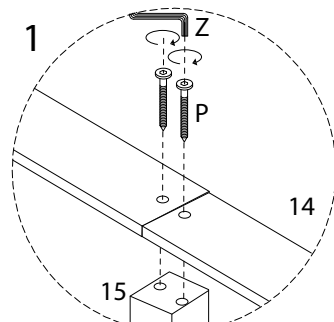
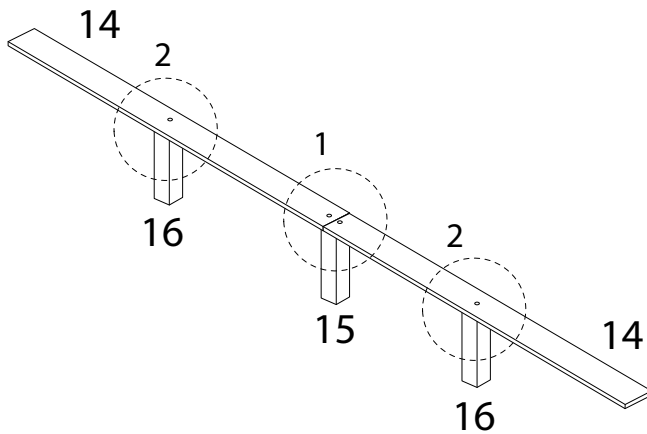
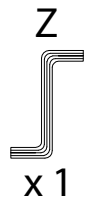
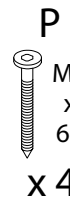
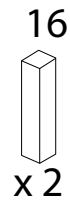
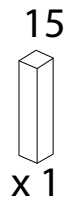
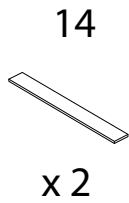
10 x 2



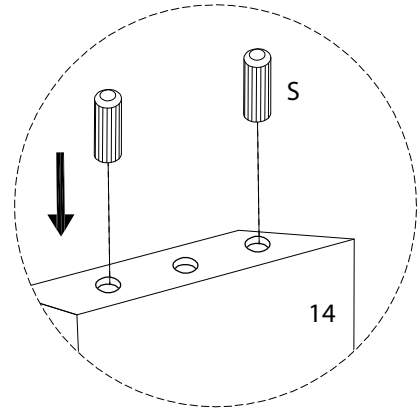
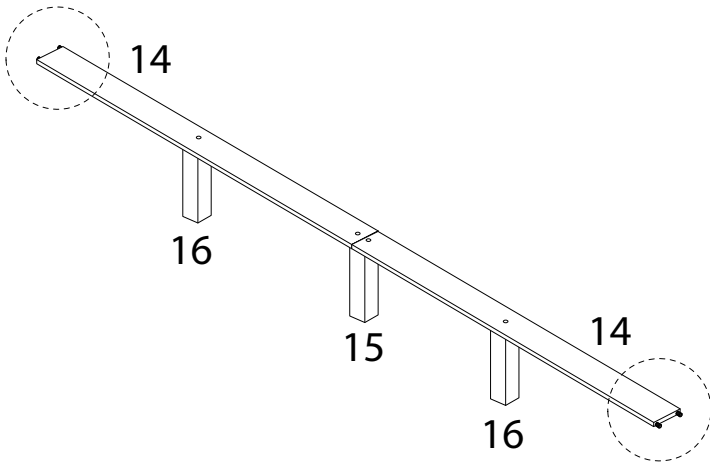
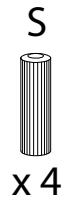
11 x 2



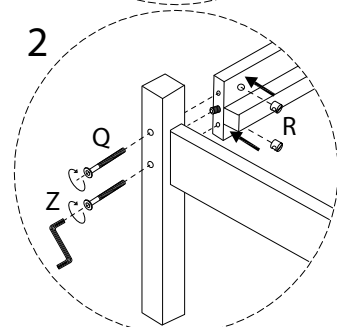
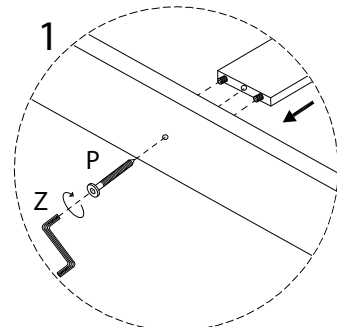
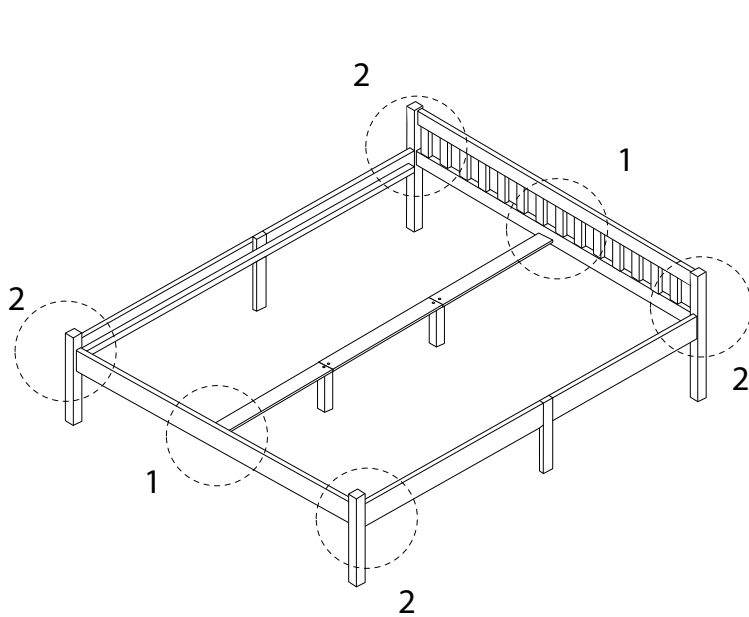
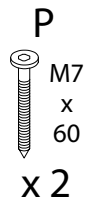
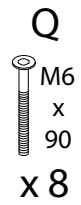
12



13



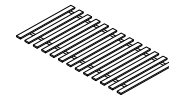
14



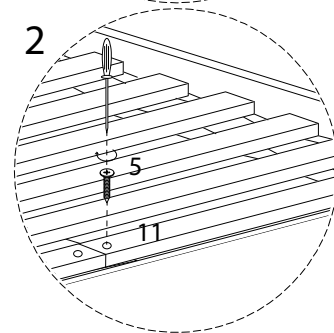
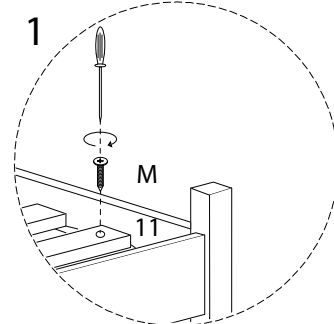
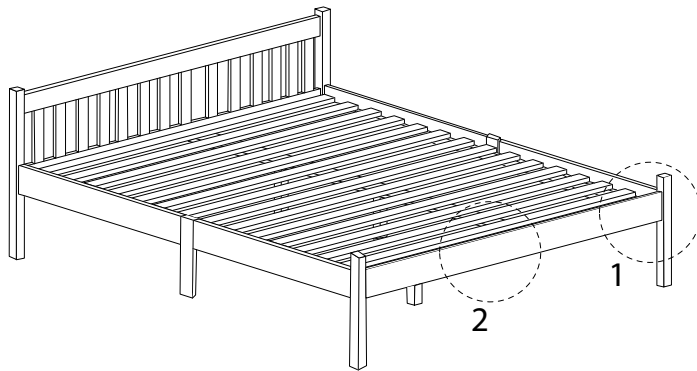
15

M
M4
x
30
x 60

11



x 2



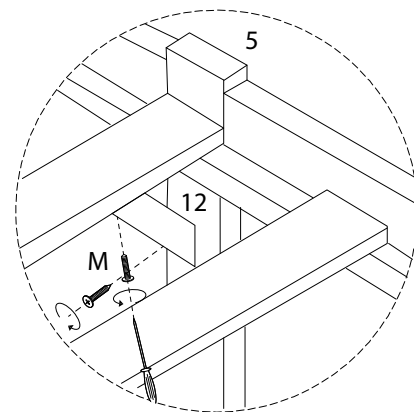
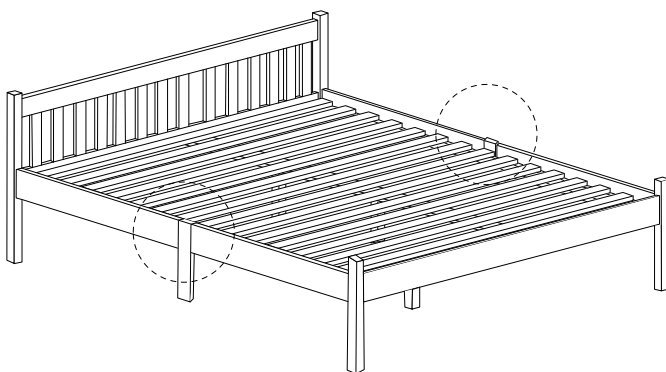
16

M
M4
x
30
x 4

12

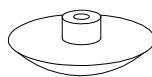


x 2



17

N



x 14

