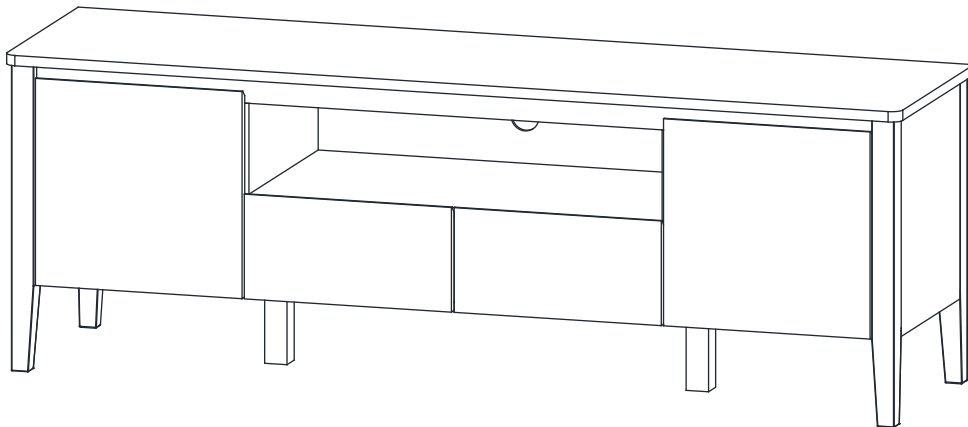


# ASSEMBLY INSTRUCTIONS



*Fine Furniture for every stage of life*

**TV Stand**

# ASSEMBLY INSTRUCTIONS

## ASSEMBLY TIPS:

1. Remove hardware from box and sort by size.
2. Please check to see that all hardware and parts are present prior to start of assembly.
3. Please follow attached instructions in the same sequence as numbered to assure fast & easy assembly.



### WARNING!

1. Don't attempt to repair or modify parts that are broken or defective. Please contact the store immediately.
2. This product is for home use only and not intended for commercial establishments.


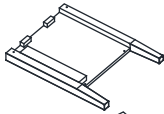
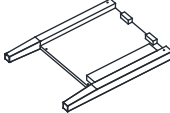
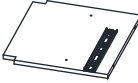
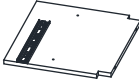
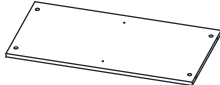



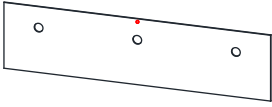
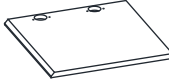
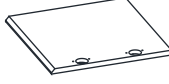



**ASSEMBLY TIME**

**20 MINUTES**

**MAX TV SIZE : 70"**

## PARTS IDENTIFICATION

<b>A</b>	<b>TOP</b>		<b>1PC</b>
<b>B</b>	<b>LEFT LEG PANEL</b>		<b>1PC</b>
<b>C</b>	<b>RIGHT LEG PANEL</b>		<b>1PC</b>
<b>D</b>	<b>LEFT CENTER PANEL</b>		<b>1PC</b>
<b>E</b>	<b>RIGHT CENTER PANEL</b>		<b>1PC</b>
<b>F</b>	<b>CENTER SHELF PANEL</b>		<b>1PC</b>
<b>G</b>	<b>LOWER CENTER PANEL</b>		<b>1PC</b>
<b>H</b>	<b>TOP SUPPORT RAIL</b>		<b>2PCS</b>
<b>I</b>	<b>BOTTOM PANEL</b>		<b>1PC</b>
<b>J</b>	<b>BACK PANEL</b>		<b>1PC</b>
<b>K</b>	<b>LEFT DOOR</b>		<b>1PC</b>
<b>L</b>	<b>RIGHT DOOR</b>		<b>1PC</b>
<b>M</b>	<b>CENTER LEG SUPPORT WITH LEVELER</b>		<b>2PCS</b>

# ASSEMBLY INSTRUCTIONS

## ASSEMBLY TIPS:




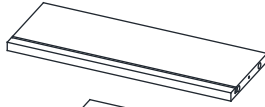
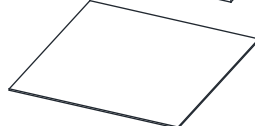
1. Remove hardware from box and sort by size.
2. Please check to see that all hardware and parts are present prior to start of assembly.
3. Please follow attached instructions in the same sequence as numbered to assure fast & easy assembly.










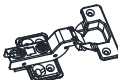
### WARNING!

1. Don't attempt to repair or modify parts that are broken or defective. Please contact the store immediately.
2. This product is for home use only and not intended for commercial establishments.

## PARTS IDENTIFICATION

N	DRAWER FRONT PANEL		2PCS
O	DRAWER LEFT PANEL		2PCS
P	DRAWER RIGHT PANEL		2PCS
Q	DRAWER BACK PANEL		2PCS
R	DRAWER BOTTOM PANEL		2PCS

## HARDWARE IDENTIFICATION

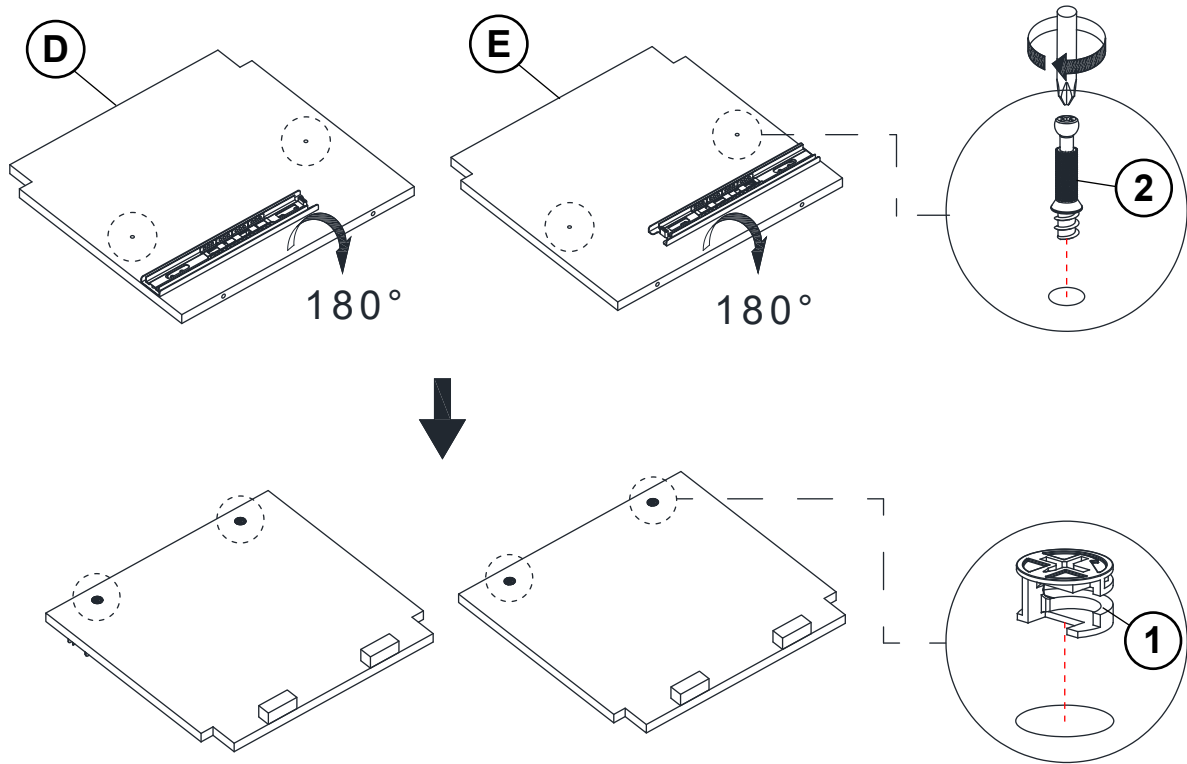
1	CAM NUT (SR)		20PCS
2	CAM BOLT (SR)		20PCS
3	SMALL WOOD DOWEL (M6 X 30MM)		16PCS
4	BIG WOOD DOWEL (M8 X 30MM)		8PCS
5	LONG FLAT HEAD SCREW (M4 X 30MM - RBW)		28PCS
6	SHORT FLAT HEAD SCREW (M6 X 16MM - RBW)		24PCS
7	PAN HEAD SCREW (M4 X 16MM - RBW)		26PCS
8	HINGE (7/8" - RBW)		4PCS

### NOTE :

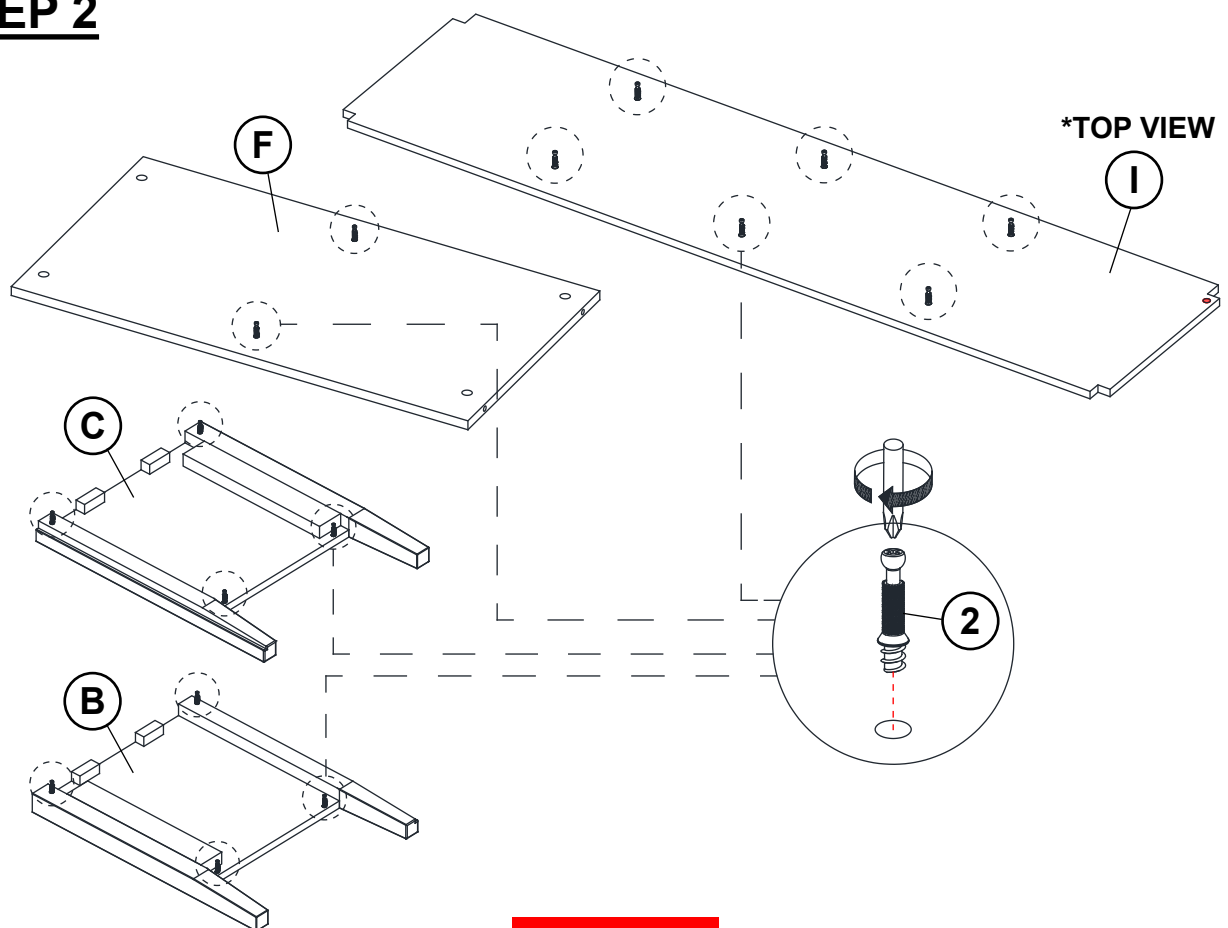
Phillips head screw driver is required in the assembly process; however, manufacturer does not provide this item.

# ASSEMBLY INSTRUCTIONS

## STEP 1

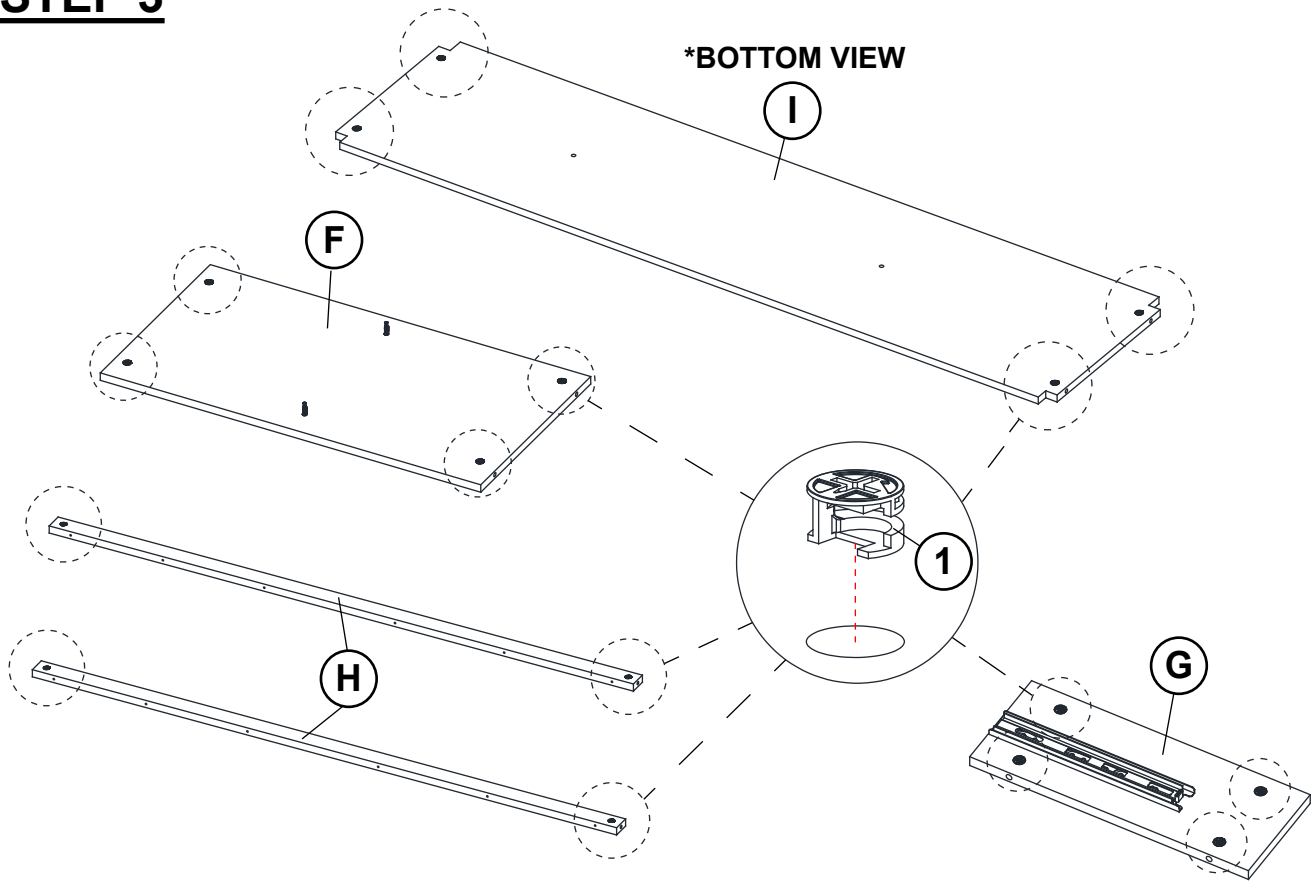


## STEP 2

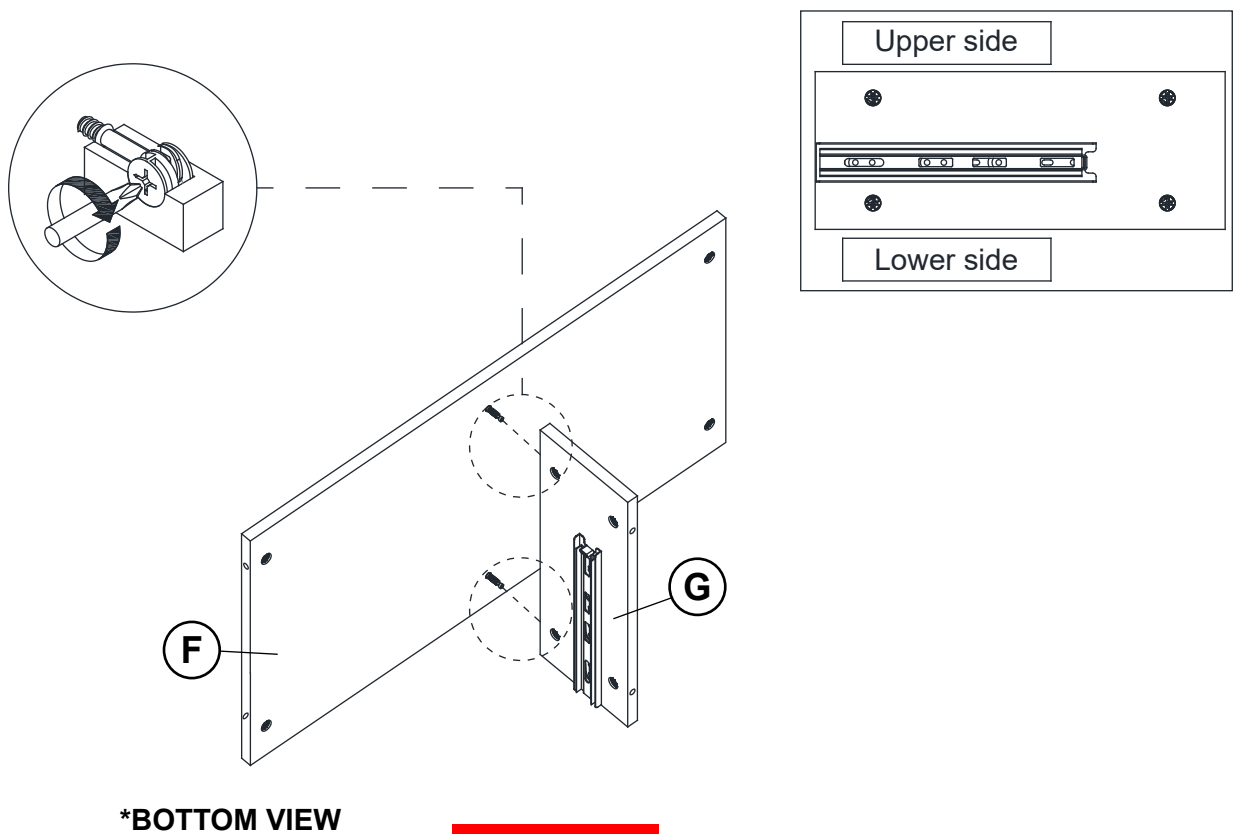


# ASSEMBLY INSTRUCTIONS

## STEP 3

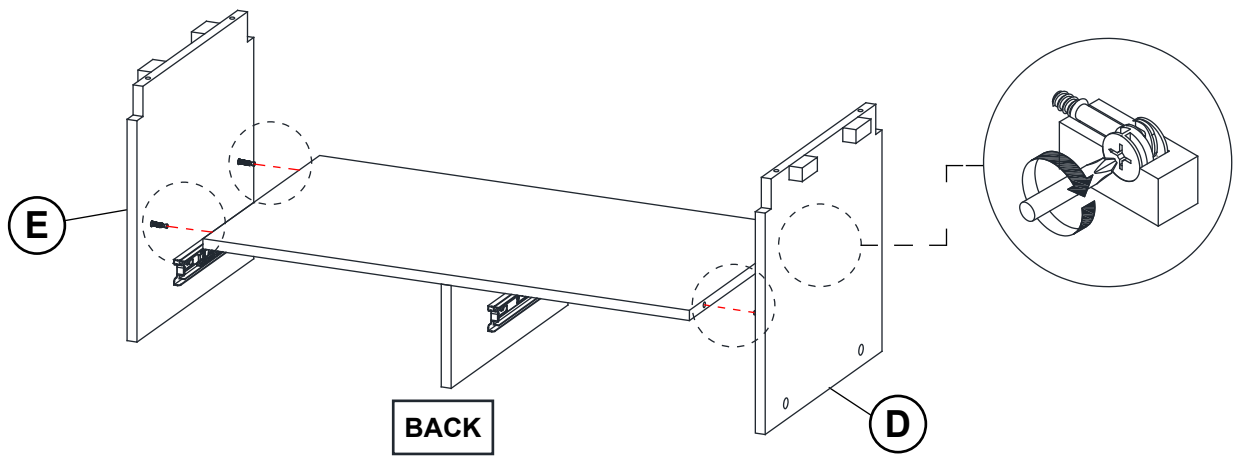


## STEP 4



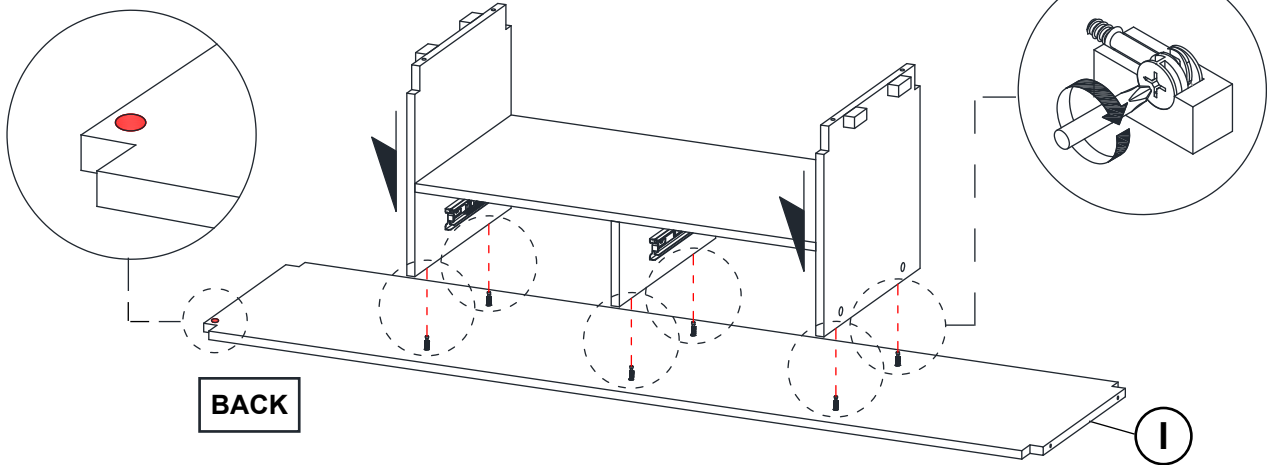
# ASSEMBLY INSTRUCTIONS

## STEP 5

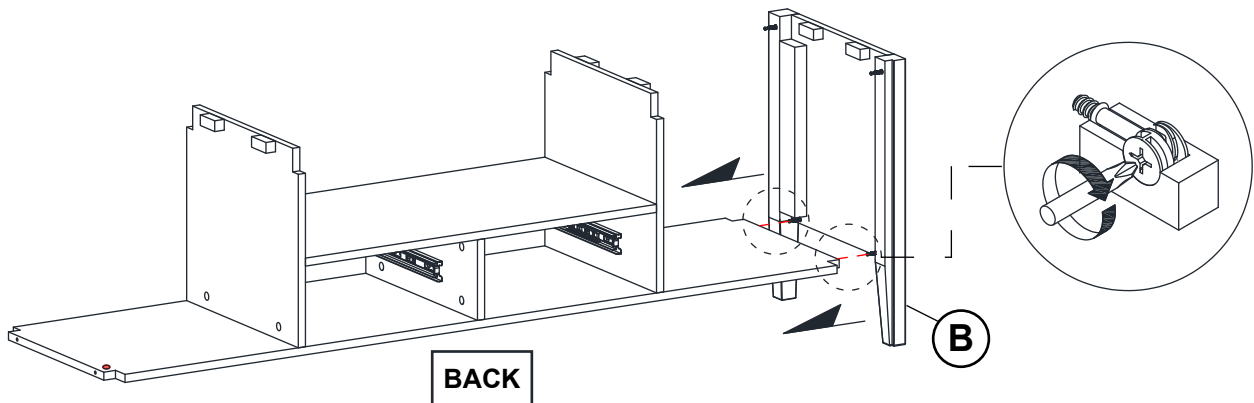


## STEP 6

Sticker at back side

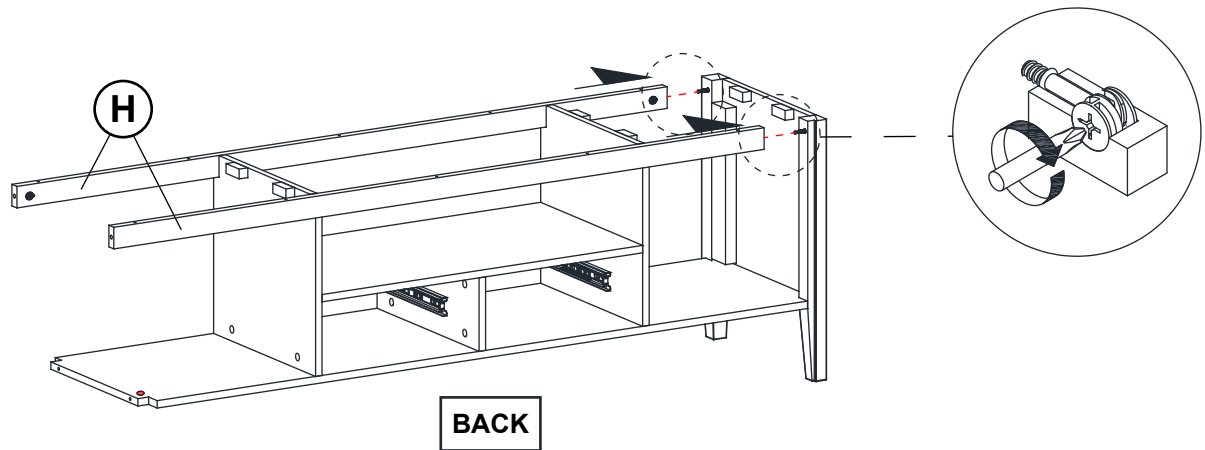


## STEP 7

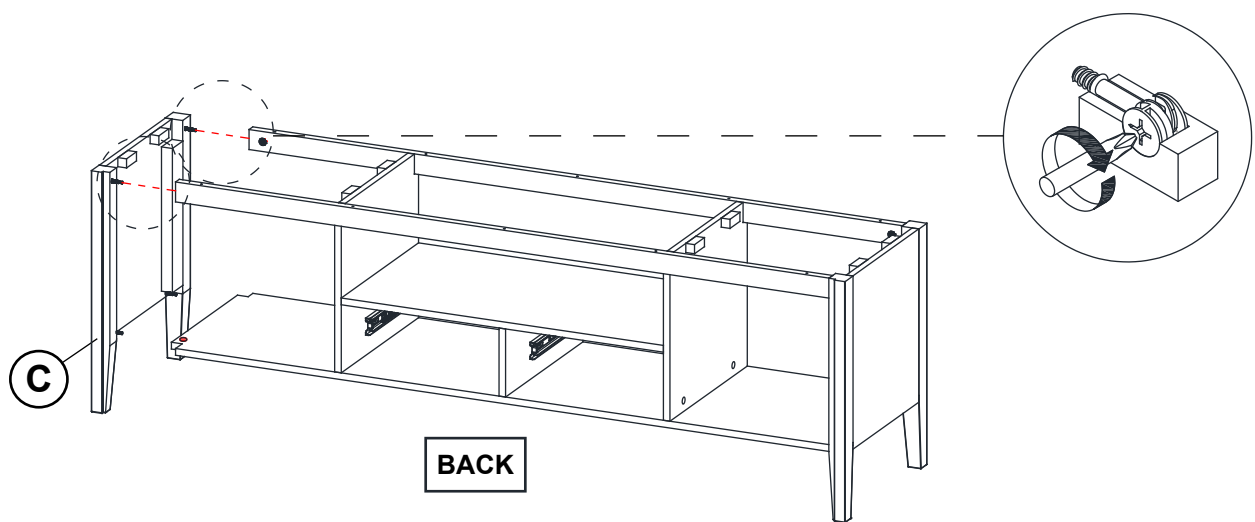


# ASSEMBLY INSTRUCTIONS

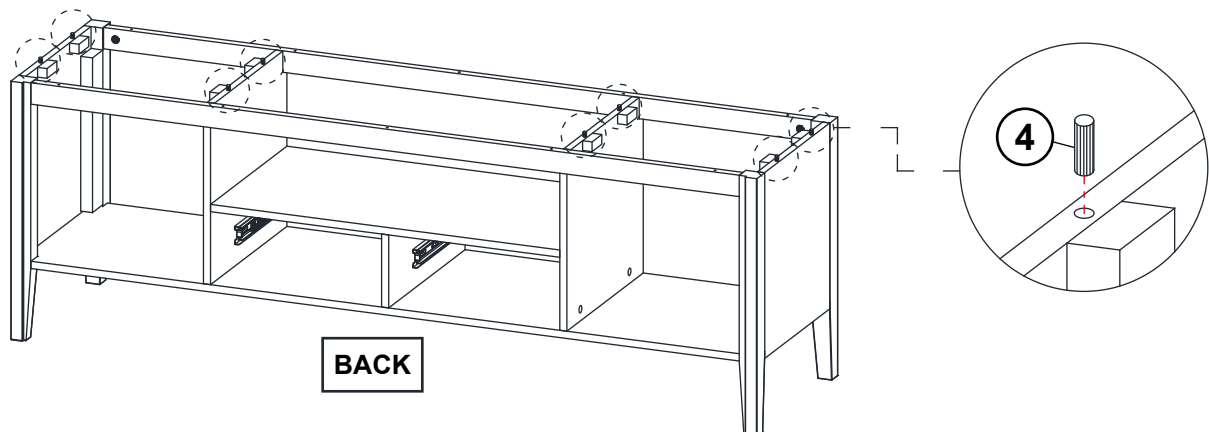
## STEP 8



## STEP 9

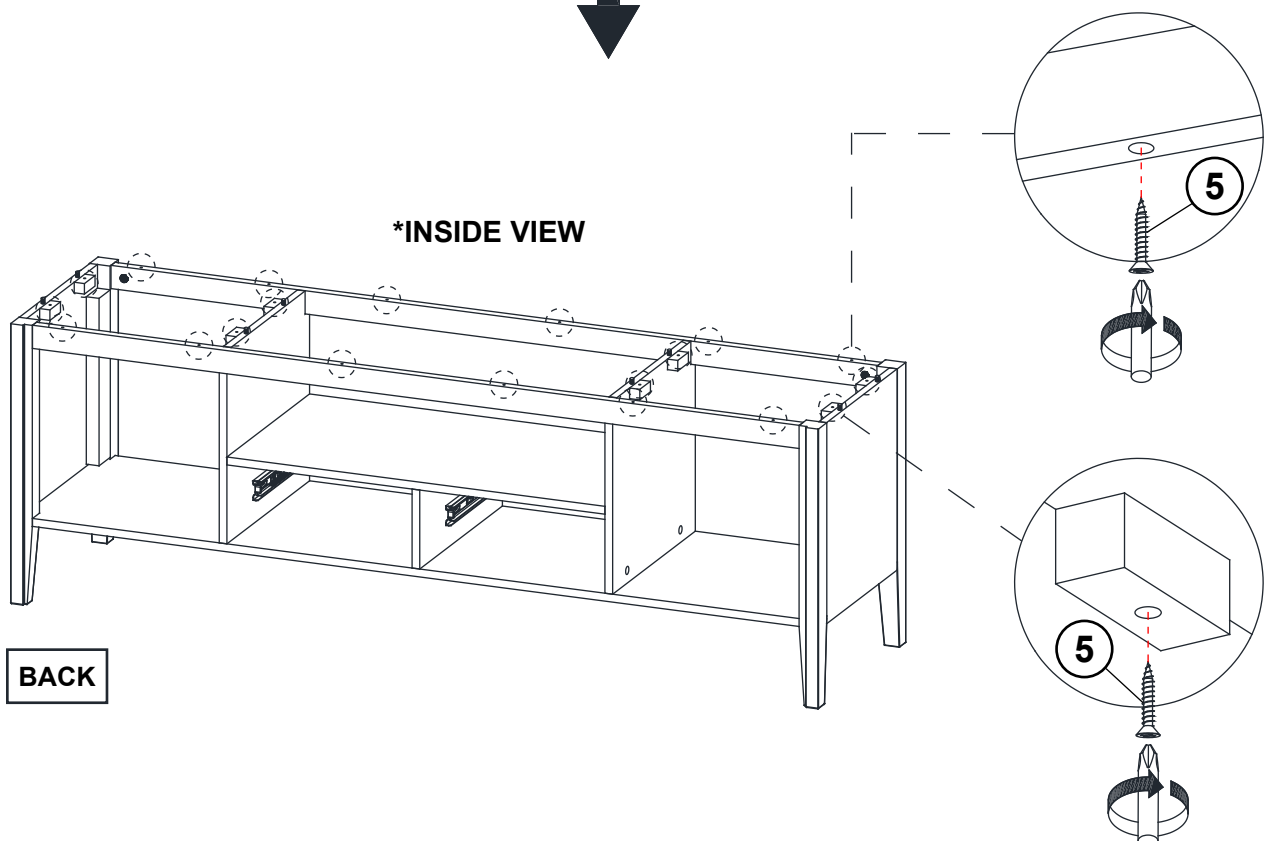
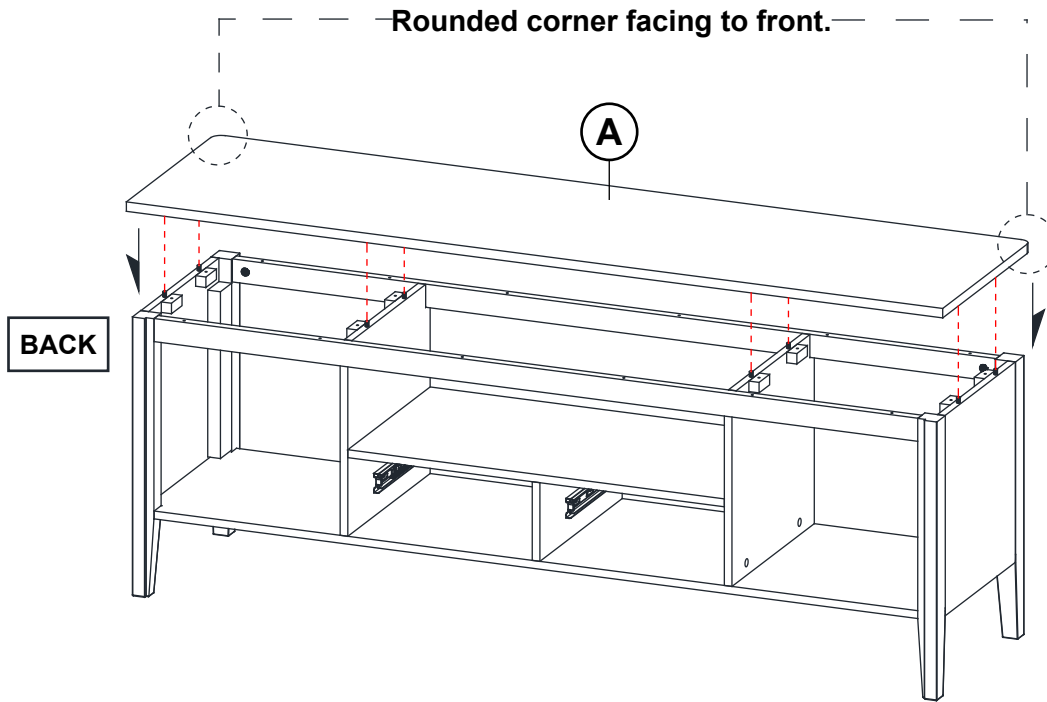


## STEP 10



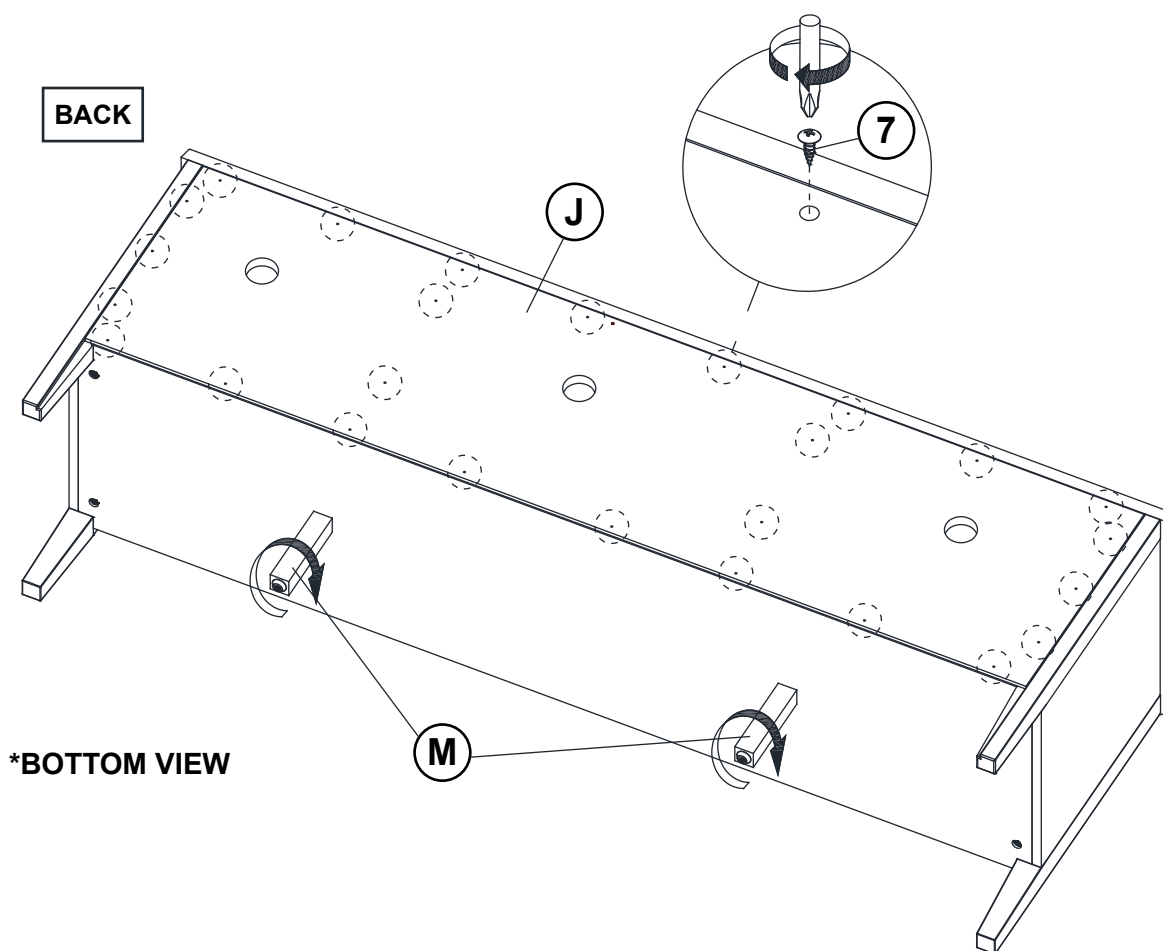
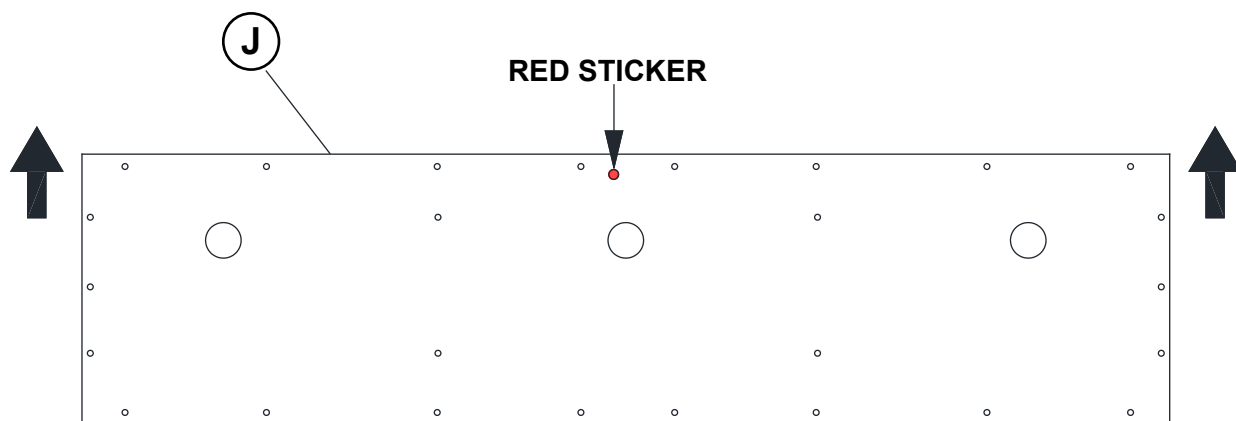
# ASSEMBLY INSTRUCTIONS

## STEP 11



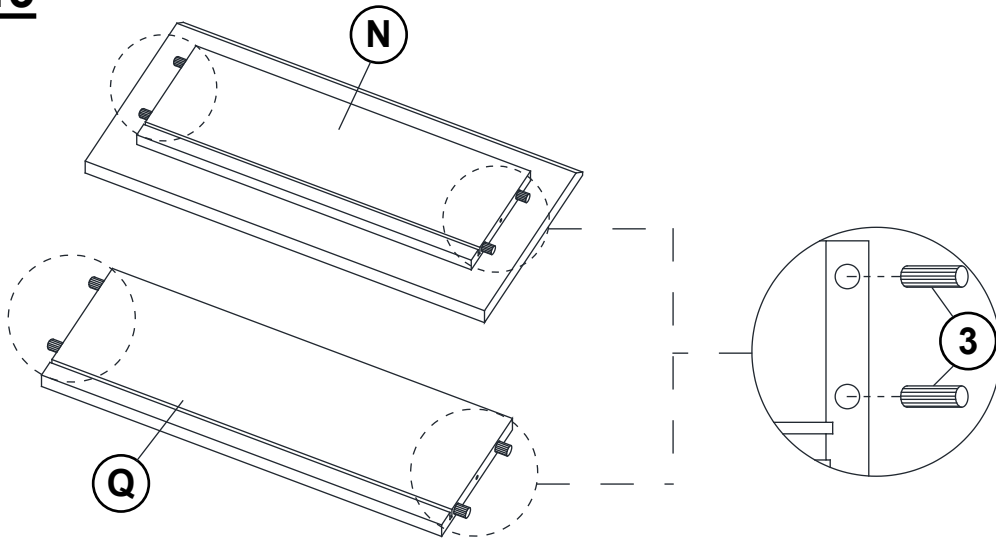
# ASSEMBLY INSTRUCTIONS

## STEP 12

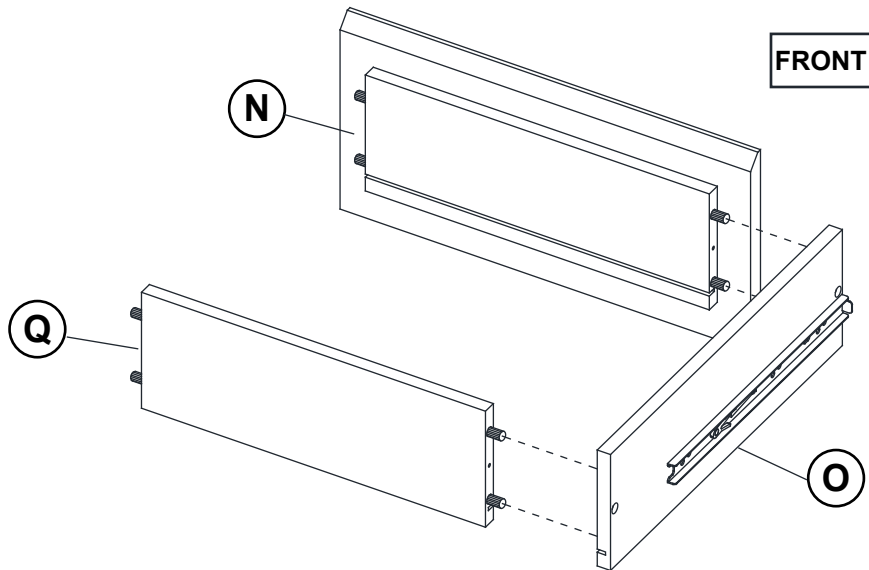


# ASSEMBLY INSTRUCTIONS

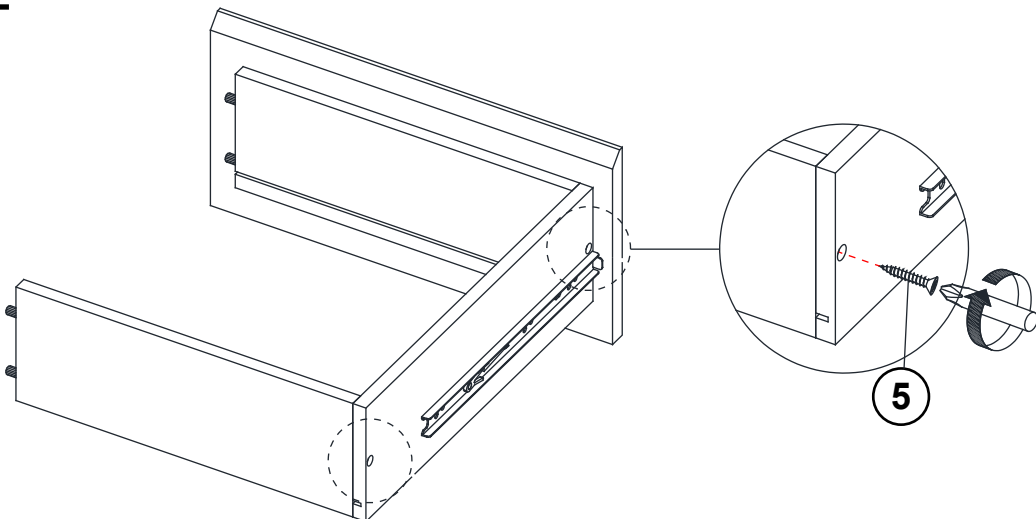
## STEP 13



## STEP 14

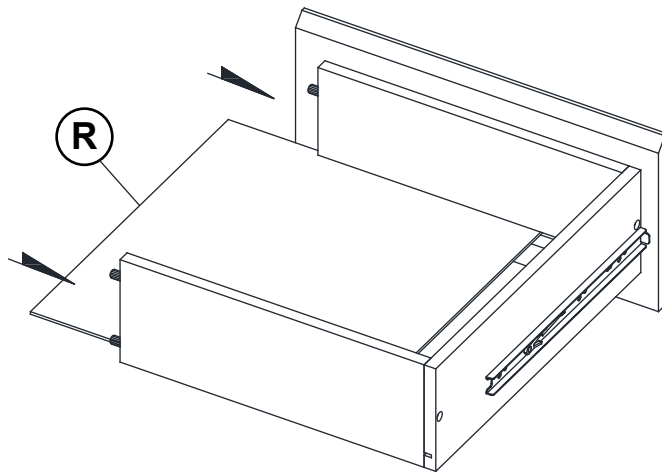


## STEP 15

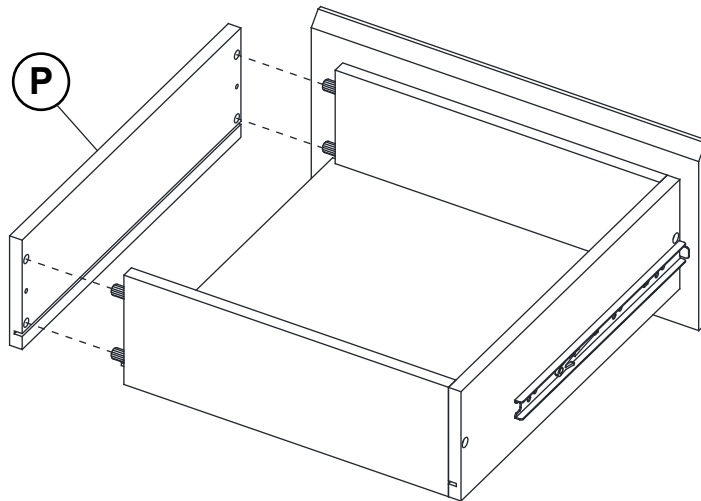


# ASSEMBLY INSTRUCTIONS

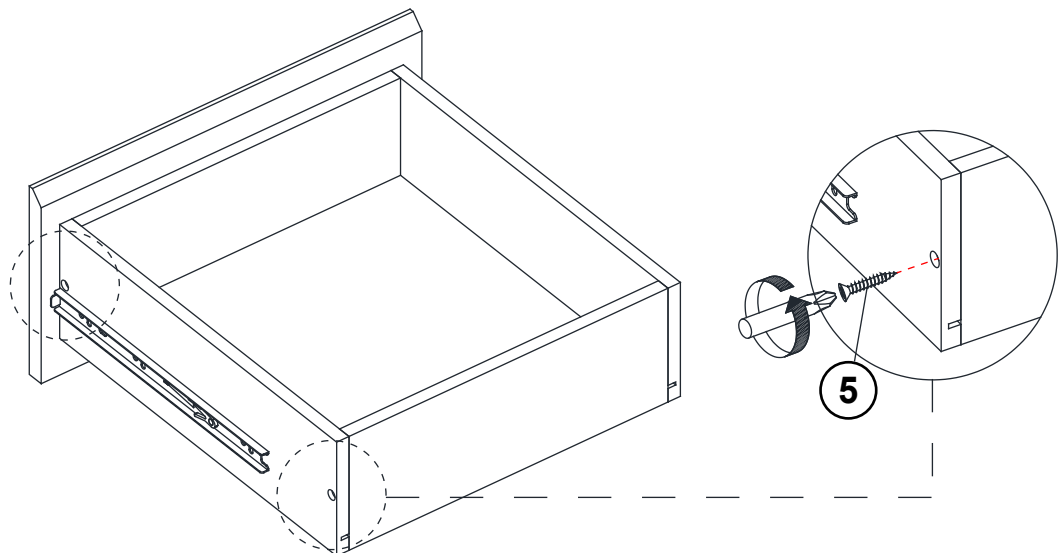
## STEP 16



## STEP 17

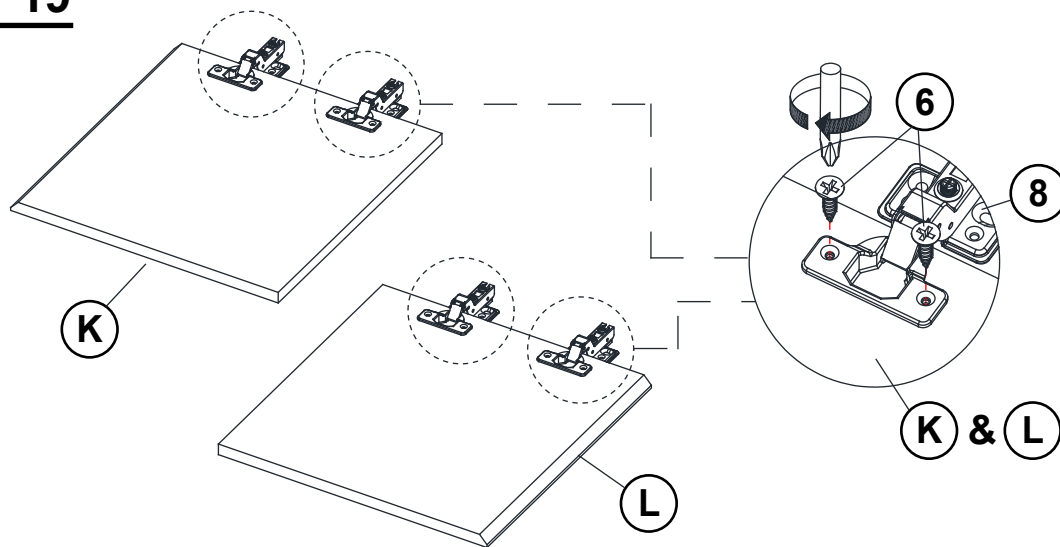


## STEP 18

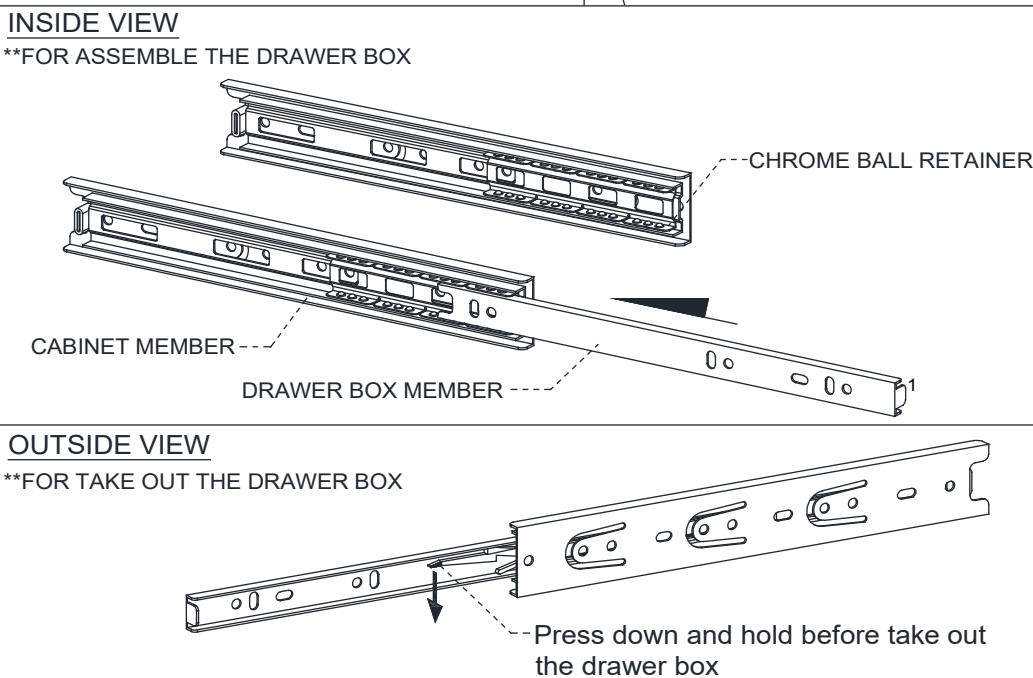
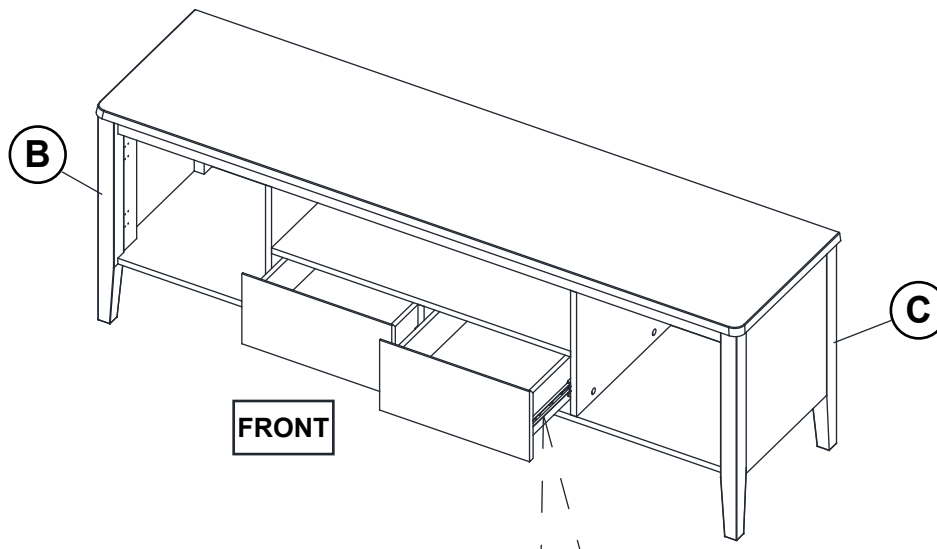


# ASSEMBLY INSTRUCTIONS

## STEP 19

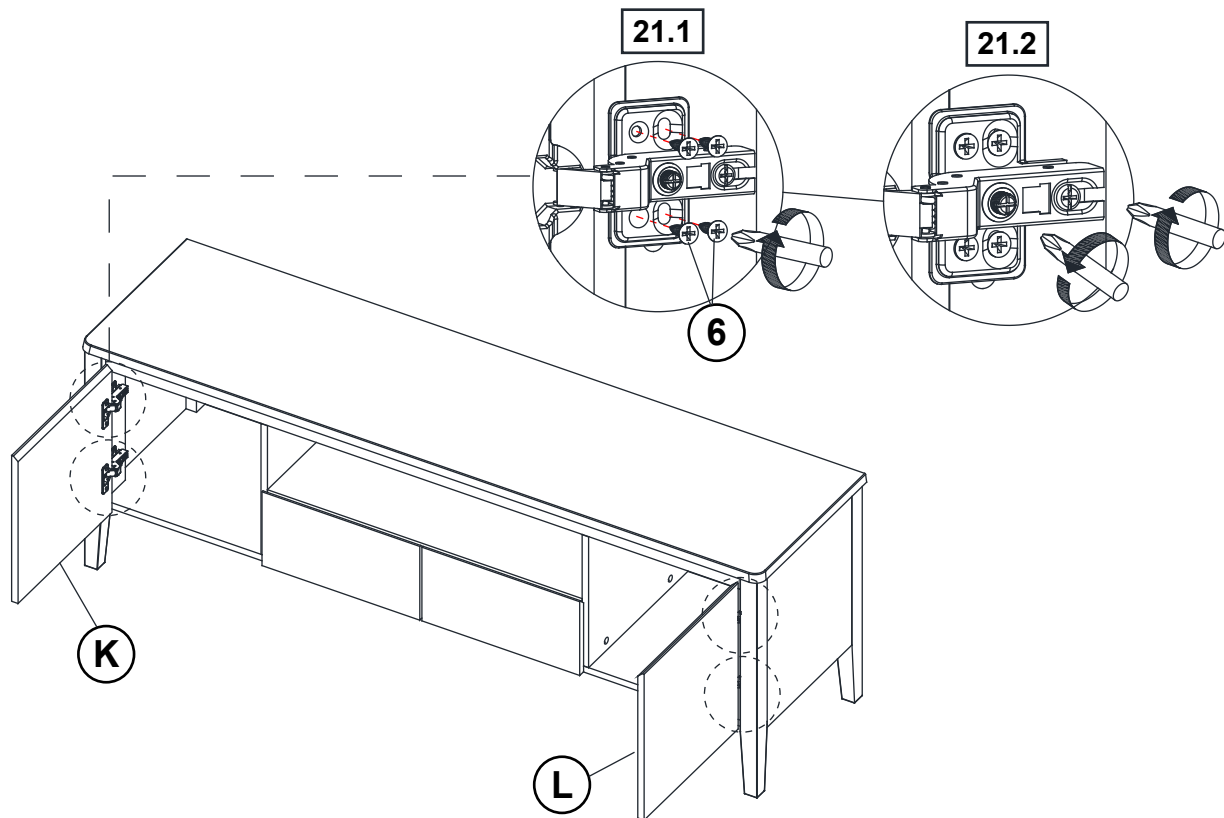


## STEP 20



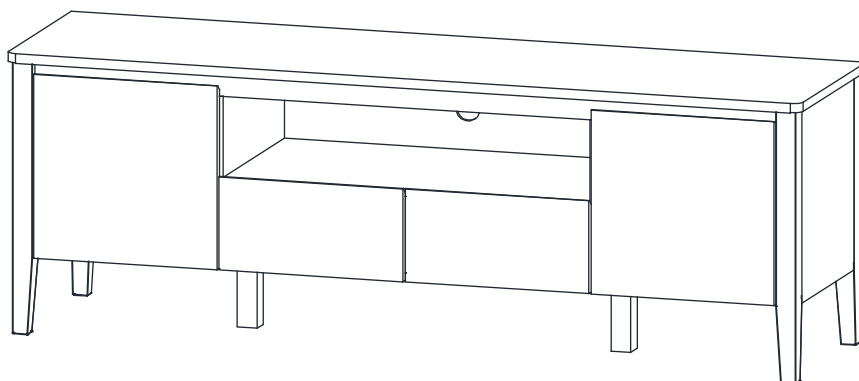
# ASSEMBLY INSTRUCTIONS

## STEP 21

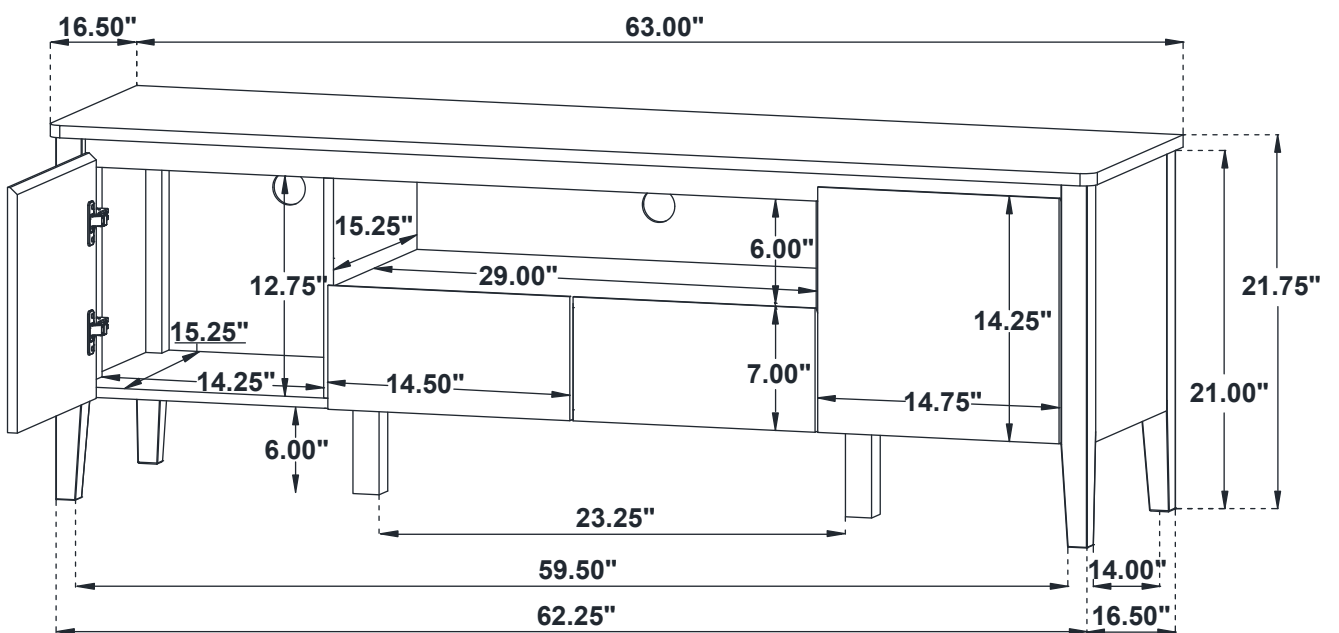


## STEP 22

### COMPLETE



**Inner size of Drawer : 12.25"W X 13.00"D X 3.75"H X 0.50"T**



**Note: Dimension tolerance  $\pm 5\%$**