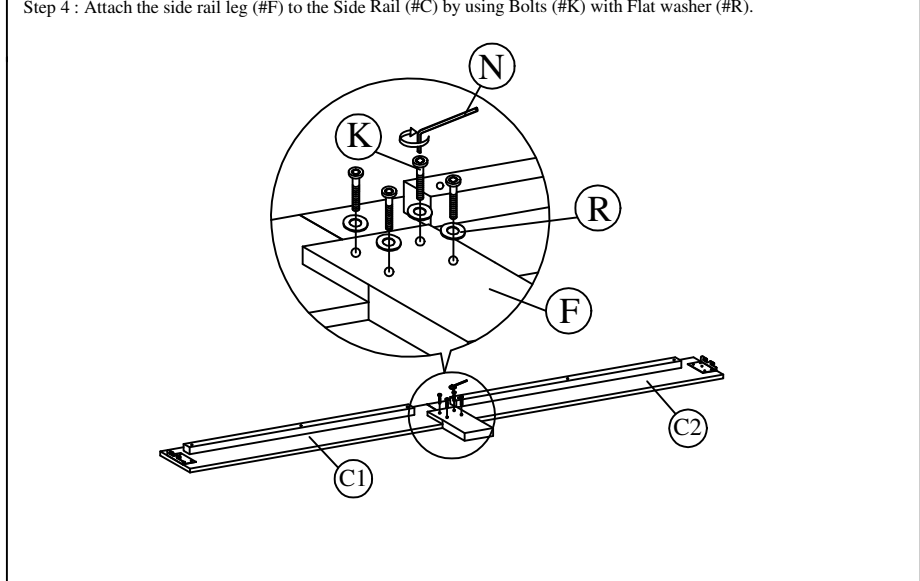
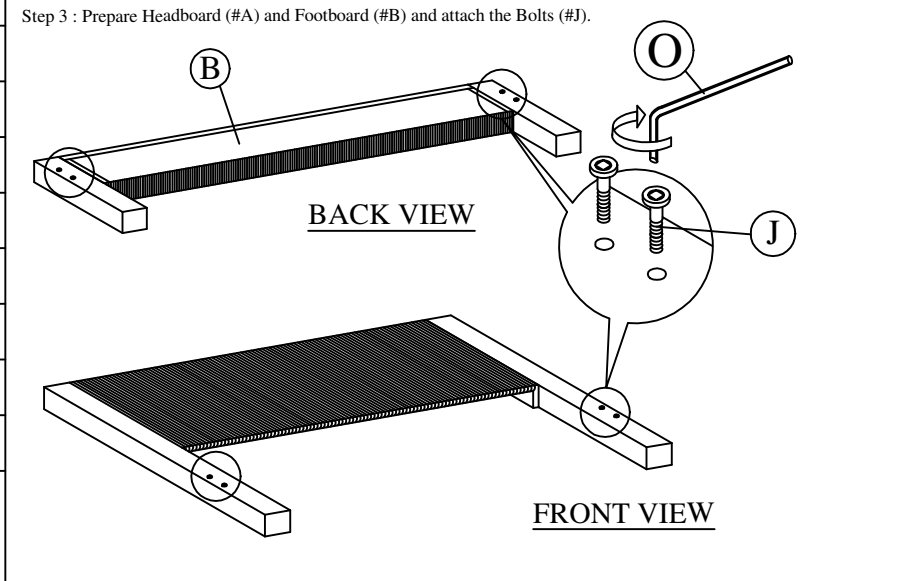
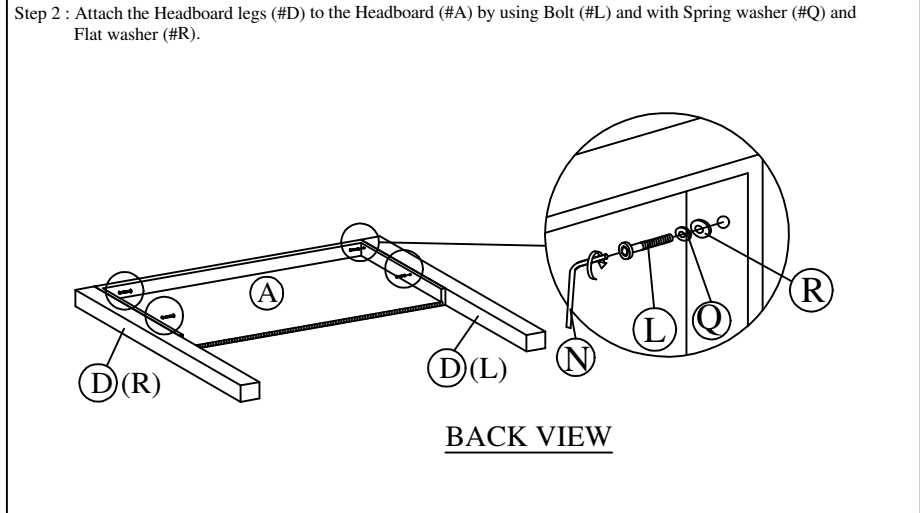
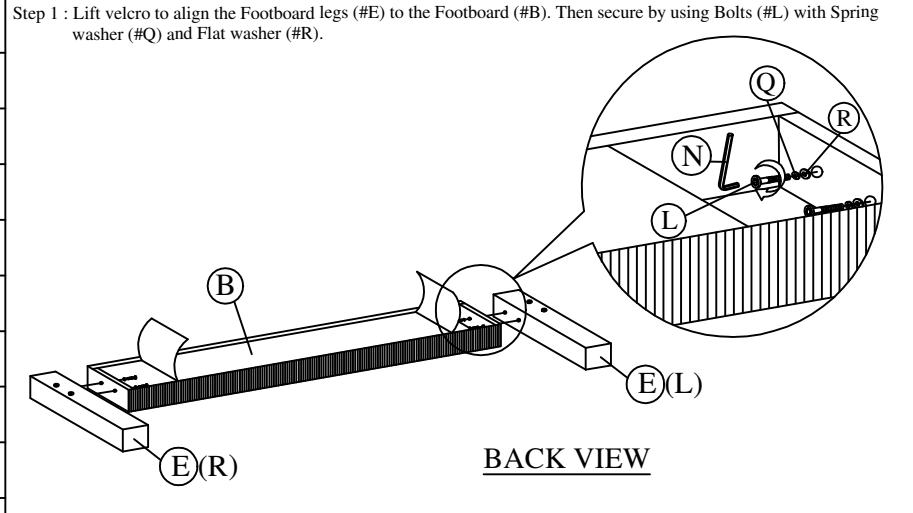
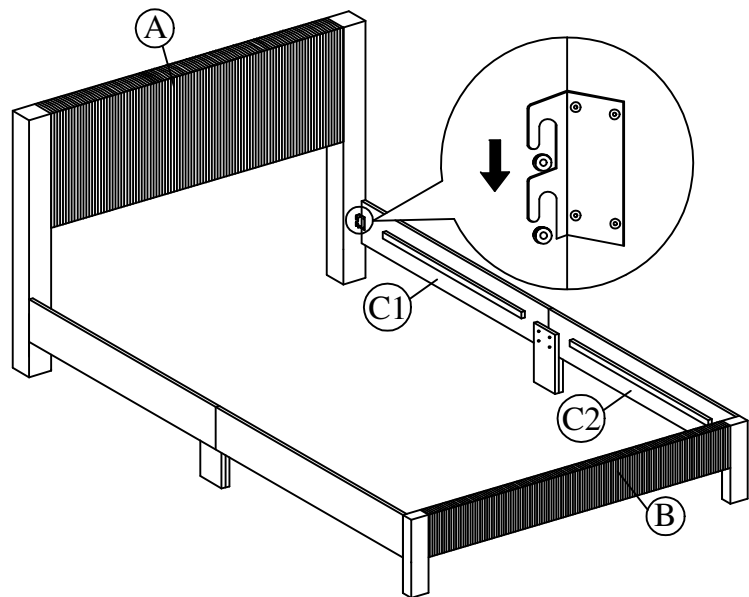


Assembly Instruction

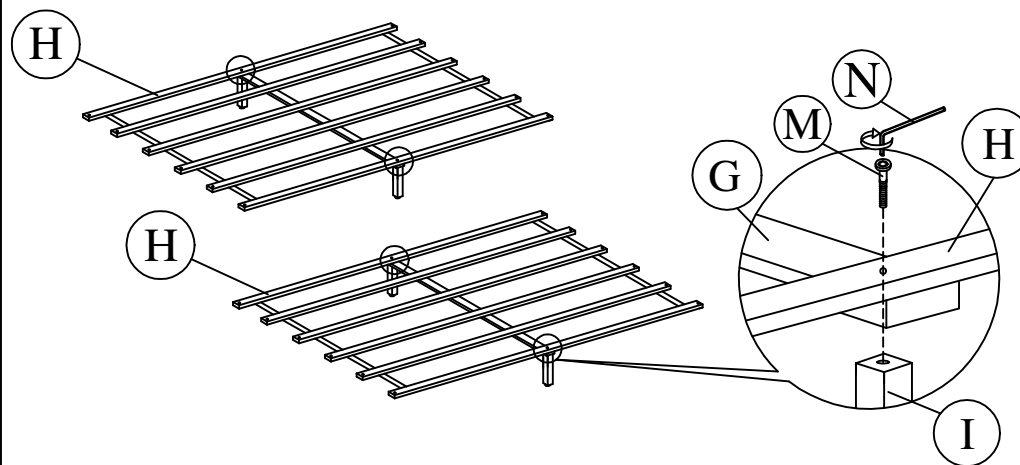
| | | | |
|---|--|-----------------------------------|-------|
| A | | Headboard | 1pc |
| B | | Footboard | 1pc |
| C | | Side Rail | 4pcs |
| D | | Headboard Legs | 2pcs |
| E | | Footboard Legs | 2pcs |
| F | | Side Rail Legs 285 x 80 x 30mm | 2pcs |
| G | | Center Rail 800mm | 2pcs |
| H | | 12 Slat 1327mm | 2pcs |
| I | | Support Legs 30 x 30 x 300mm | 4pcs |
| J | | JCB B8 M8 x 20 | 8pcs |
| K | | JCBC M6 x 30 | 8pcs |
| L | | JCBC M6 x 50 | 8pcs |
| M | | JCBC M6 x 60 | 4pcs |
| N | | Allen Key 65mm | 1pc |
| O | | Allen Key 70mm | 1pc |
| P | | CSK Screw 32mm | 24pcs |
| Q | | Spring Washers | 8pcs |
| R | | Flat Washers | 16pcs |



Step 5 : Attach Side rail (#C) to the Headboard (#A) and Footboard (#B) by pushing the bracket down to fit. Tighten the 4 corners with Allen Key (#O).



Step 6 : Align the Center rail (#G) to the center of Slats (#H). Secure the support legs (#I) to the Center Rail (#G) and Slats (#H) by using Bolt (#M).



Step 7 : Install the bed slats by aligning to the Side. The distance of the slats should be sufficient to obtain desirable stability. Tighten the slats by using Screw (#P).

