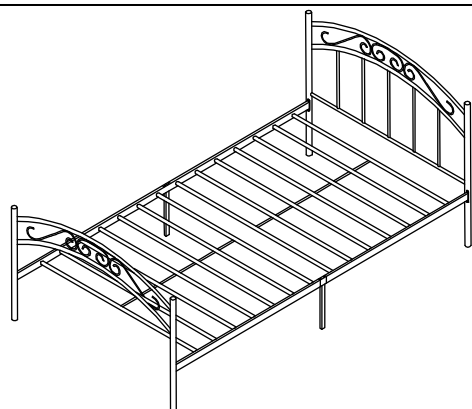






BLACK METAL TWIN BED

Before you start, here is some helpful advice:

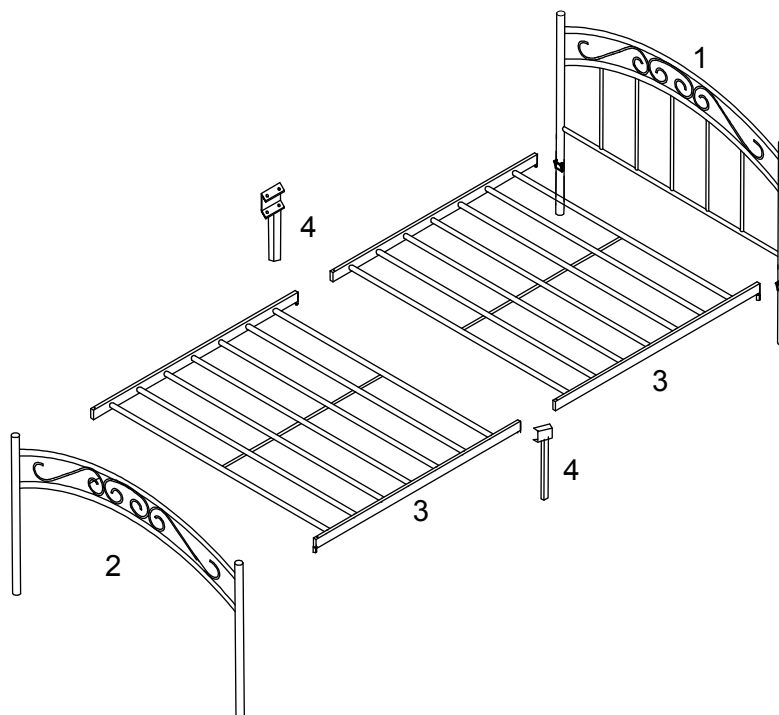
1. We suggest you spend a short time reading through this leaflet and then follow the simple step by step instructions.
2. Owing to the size and weight of the bed, we recommend that it is assembled by two adults, on a carpeted or padded area, in the room that it is intended for. Approx assembly time: 30 minutes.
3. Please do not use any tools other than those provided or recommended in these instructions.
4. Please do not throw away any of the packaging or the instruction until you have checked all the components and hardware and the furniture is fully assembled. Please ensure that the packaging is disposed of in a safe environmentally friendly way.
5. Assemble all components loosely until advised to tighten. Depending on use, it may be necessary to tighten the components from time to time, so please save the tools that has been provided.
6. Please keep all fitting out of reach of children.



Hardware:

| | | | |
|---|--|--------------|----|
| A |  | Bolt M6x60mm | x4 |
| B |  | Nut | x4 |
| C |  | Open Wrench | x1 |
| D |  | Allen Wrench | x1 |

Component:



| | | | | | |
|---|----------------------|----|---|-------------|----|
| 1 | Headboard | x1 | 2 | Footboard | x1 |
| 3 | Side Rail with Slats | x2 | 4 | Support Leg | x2 |

BLACK METAL TWIN BED

STEP 1:

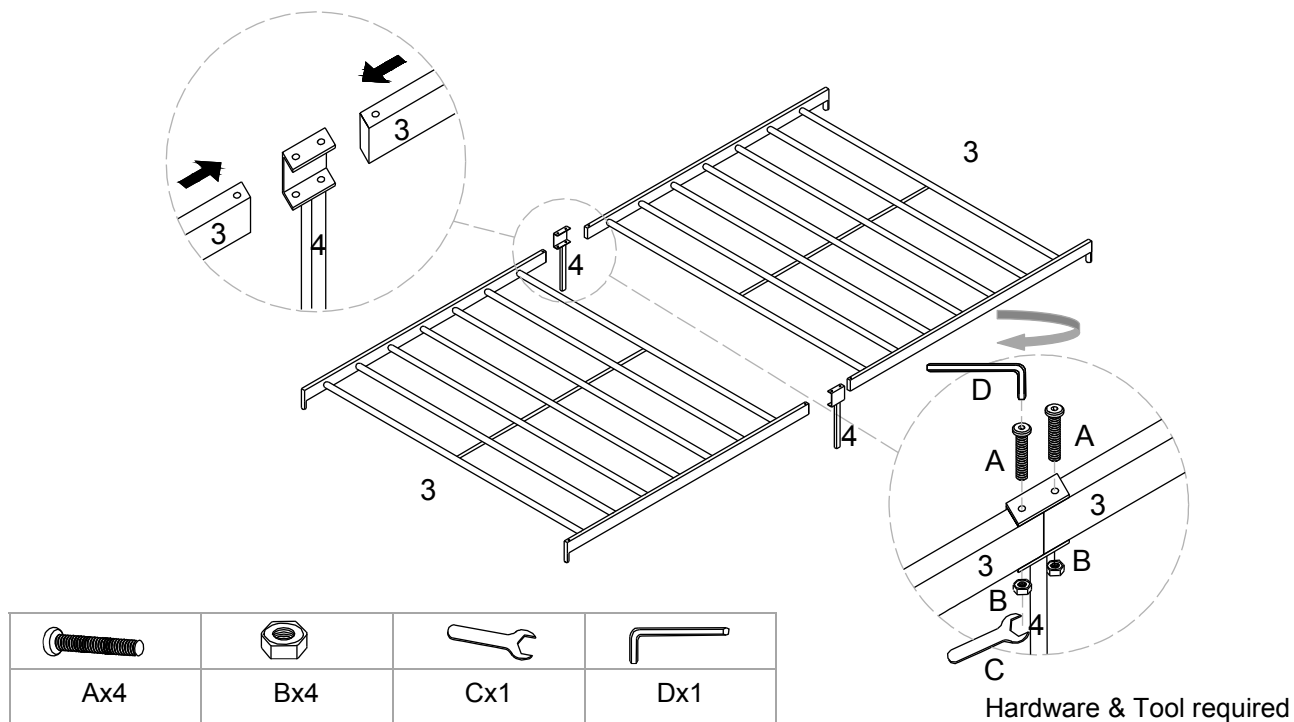
Place the 2pcs **Side Rail with Slat (3)** into 1pc **Support Leg (4)** as shown.

Insert **2pcs Bolt (A)** into the pre-drilled Holes on the **Support Leg (4)** through the pre-drilled holes on the Side Rail.

Secure them by using **2pcs Nut (B)** from the bottom of the **Support Leg (4)**.

Tighten the **Bolt (A)** and **Nuts (B)** with **Open Wrench (C)** and **Allen Wrench (D)** as shown.

Repeat the same steps for the remaining **Support Leg (4)**.

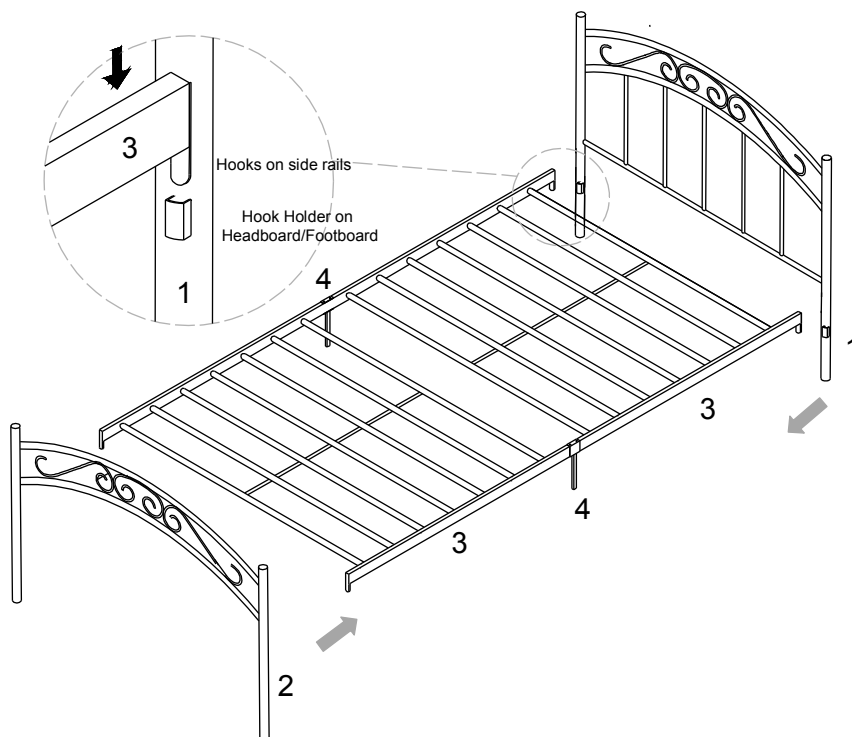


STEP 2:

Place the **Headboard (1)** close to the assembled **Side Rail with Slat (3)** and **Support Legs (4)**.

Insert the hooks on the **Side Rail with Slats (3)** into the hook holder on the **Headboard (1)** as shown.

Repeat the same steps for the **Footboard (2)**.



Assembly is completed. The bed is ready to enjoy now!