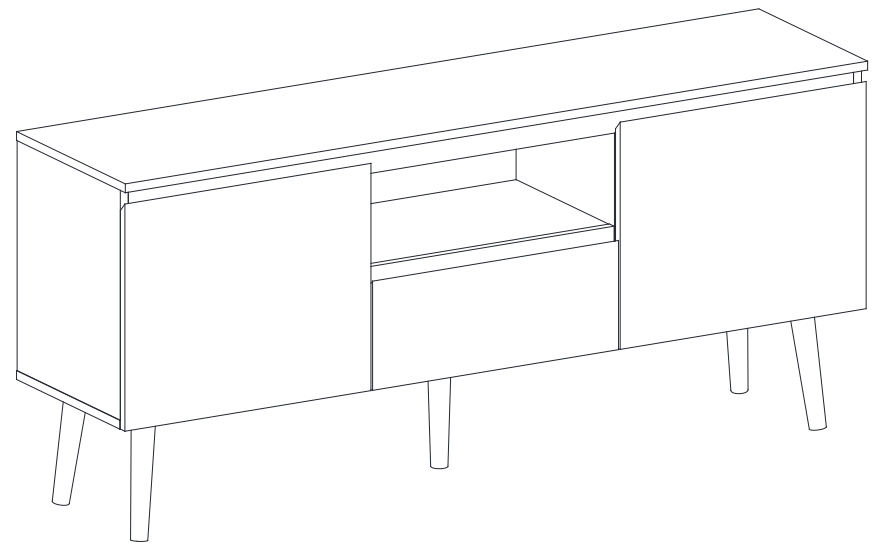


SGSHK-V1

FTLFTS-6012

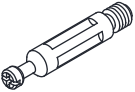

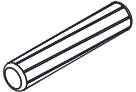


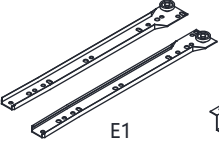
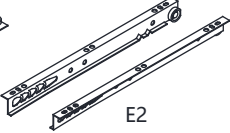
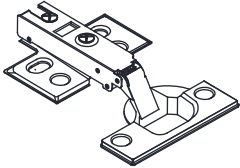
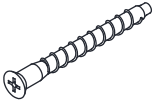


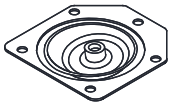

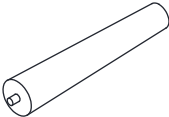
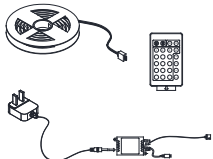
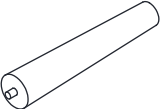
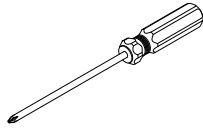


TV STAND

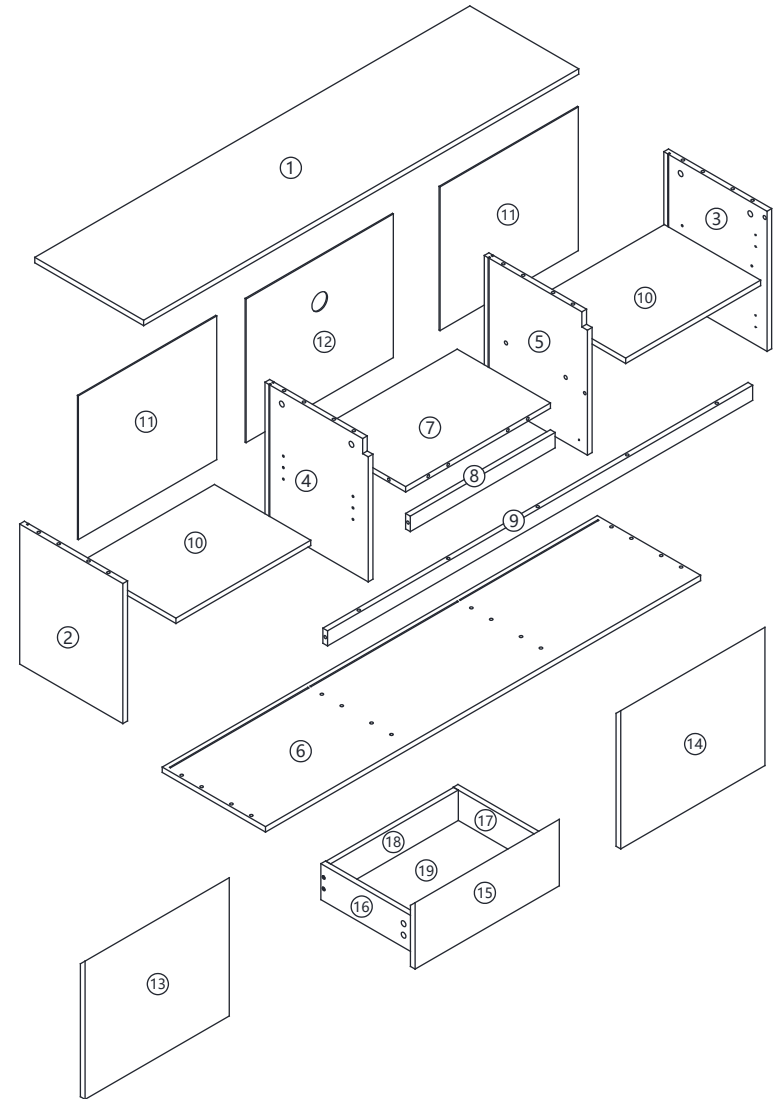
Notice:

1. Follow the installation instructions. Please confirm all accessories are preset before installation.
2. Do not fully tighten the screws during initial assembly. Fully tighten screws only once all pieces which are correctly assembled.
3. If you encounter any problems during installation, refer to two solutions: Follow the installation video tutorial on the Amazon product page or contact our customer service.

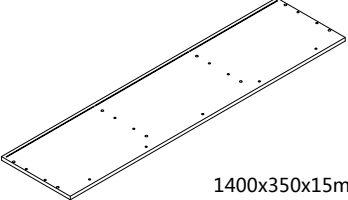
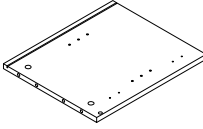
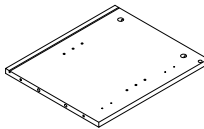
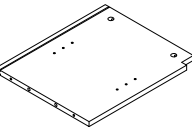
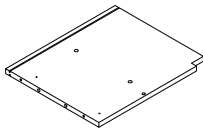
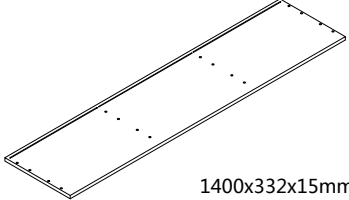
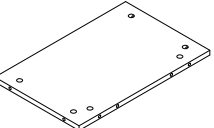
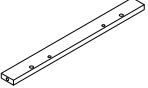
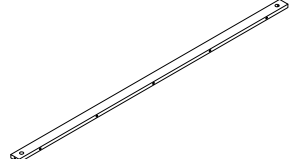
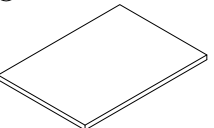
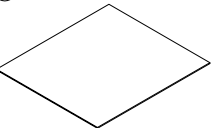
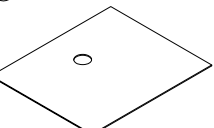
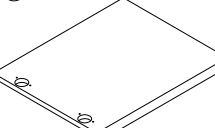
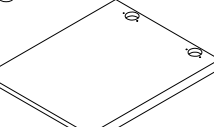
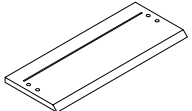
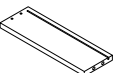
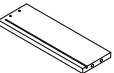
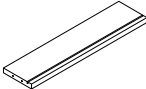
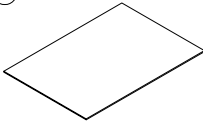
Hardware

 A1	 A2	 8 x 40 MM	 3.5 x 14 MM	 3.5 x 35 MM
A x (20+2) sets	B x (25+3) pcs	C x (68+7) pcs	D x 4 pcs	
 E1	 E2	 F	 7 x 50 MM	
E x 1 set		F x 4 pcs	G x 8 pcs	
 H	 J	 K	 L	
H x 8 pcs	J x (12+2) pcs	K x 4 pcs	L x 1 pc	
 M	 N	 P	 Provided by the customer, not included in the hardware accessory list	
M x 4 pcs	N x 1 set	P X 1 pc		

Parts List



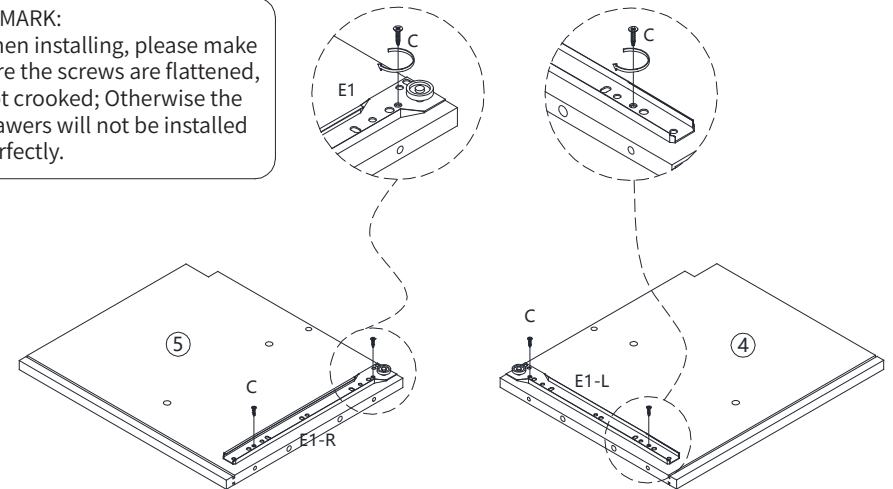
Parts List

<p>①</p>  <p>1400x350x15mm=1pc</p>	<p>②</p>  <p>390x332x15mm=1pc</p>	<p>③</p>  <p>390x332x15mm=1pc</p>	
<p>④</p>  <p>390x332x15mm=1pc</p>	<p>⑤</p>  <p>390x332x15mm=1pc</p>	<p>⑥</p>  <p>1400x332x15mm=1pc</p>	
<p>⑦</p>  <p>466x300x15mm=1pc</p>	<p>⑧</p>  <p>466x43x15mm=1pc</p>	<p>⑨</p>  <p>1368x42x15mm=1pc</p>	
<p>⑩</p>  <p>434x310x15mm=2pcs</p>	<p>⑪</p>  <p>445x100x3mm=2pcs</p>	<p>⑫</p>  <p>474x400x3mm=1pc</p>	<p>⑬</p>  <p>464x385x15mm=1pc</p>
<p>⑭</p>  <p>464x385x15mm=1pc</p>	<p>⑮</p>  <p>464x185x15mm=1pc</p>	<p>⑯</p>  <p>300x100x15mm=1pc</p>	<p>⑰</p>  <p>300x100x15mm=1pc</p>
<p>⑱</p>  <p>411x100x15mm=1pc</p>	<p>⑲</p>  <p>421x294x3mm=1pc</p>		

Step 1

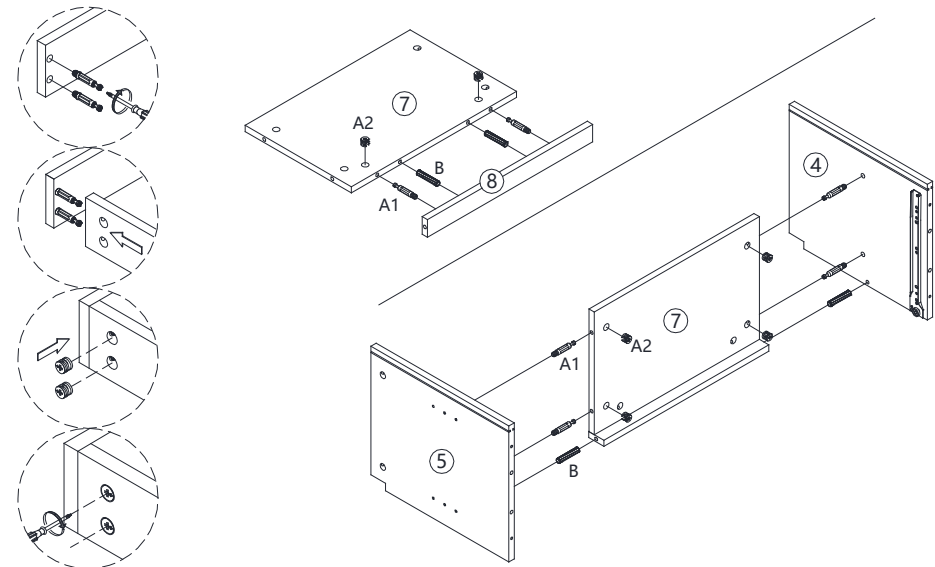
C x 4 E1 x 2

REMARK:
When installing, please make sure the screws are flattened, Not crooked; Otherwise the drawers will not be installed perfectly.



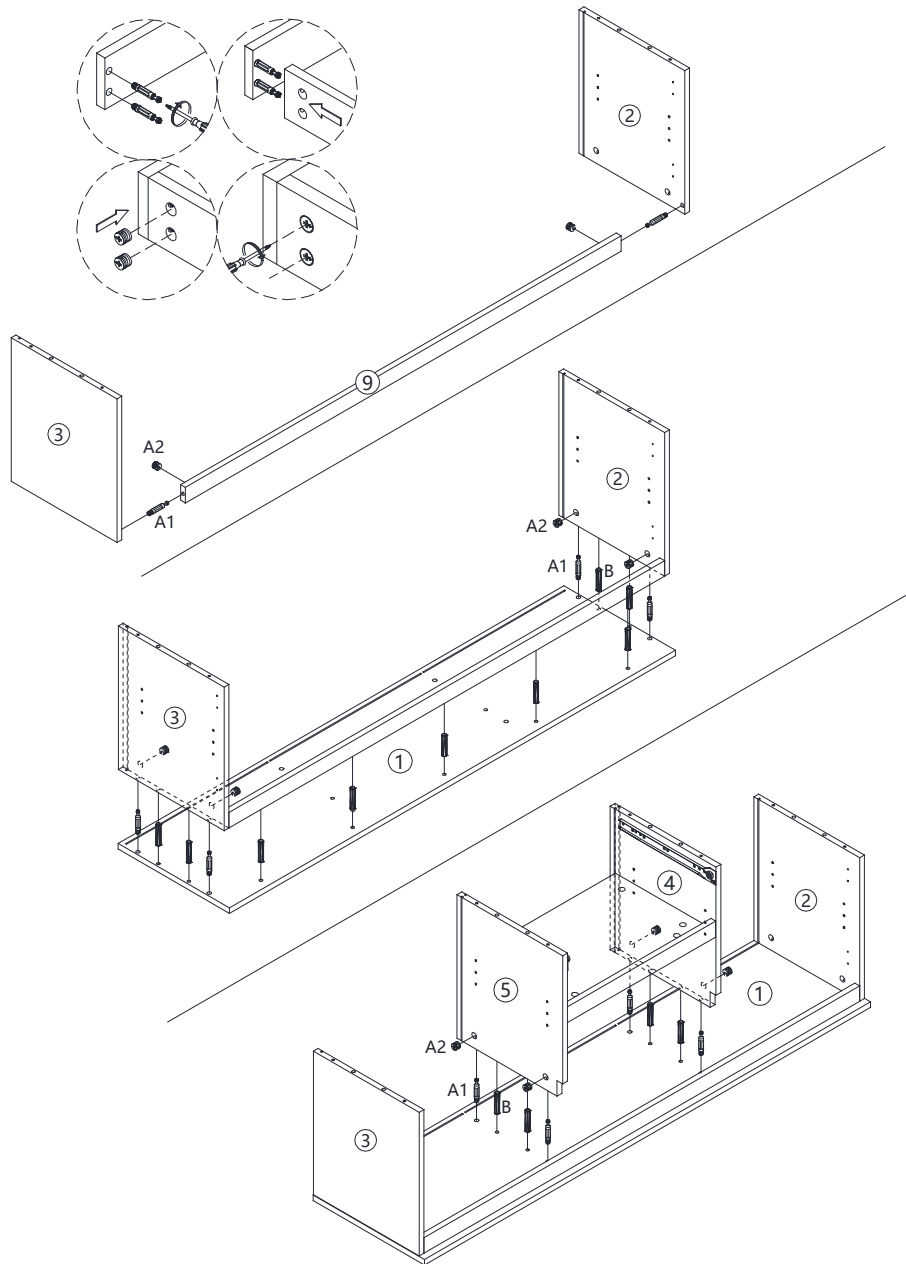
Step 2

A x 6 B x 4



Step 3

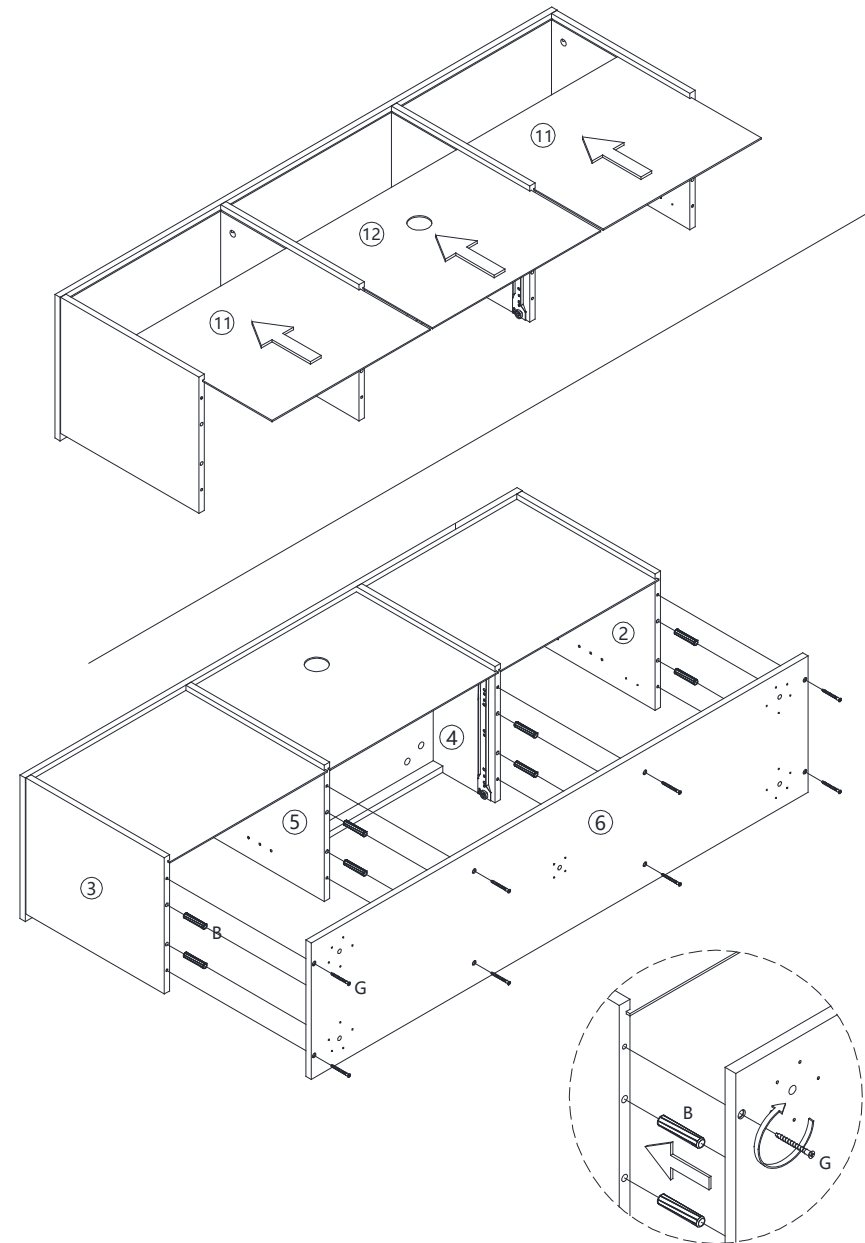
A x 10 B x 13



5

Step 4

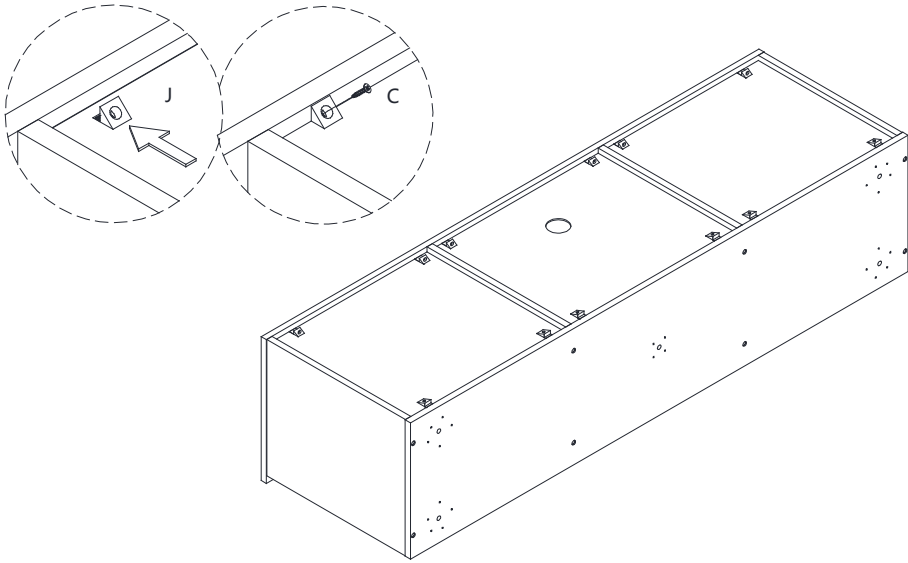
B x 8 G x 8



6

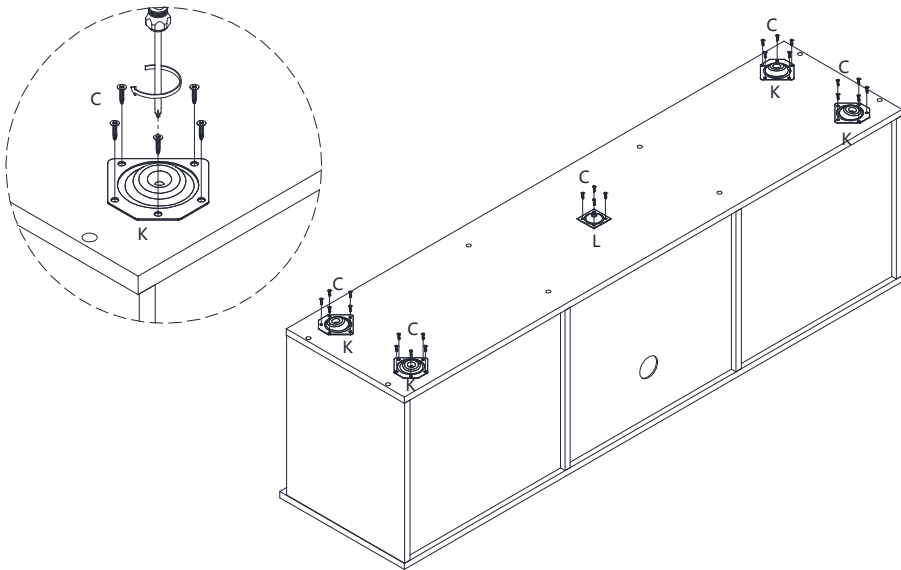
Step 5

C x 12 J x 12



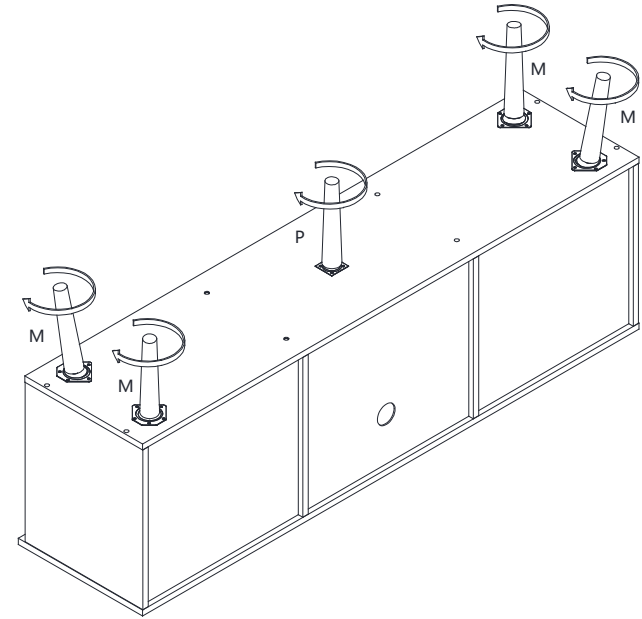
Step 6

C x 24 K x 4 L x 1



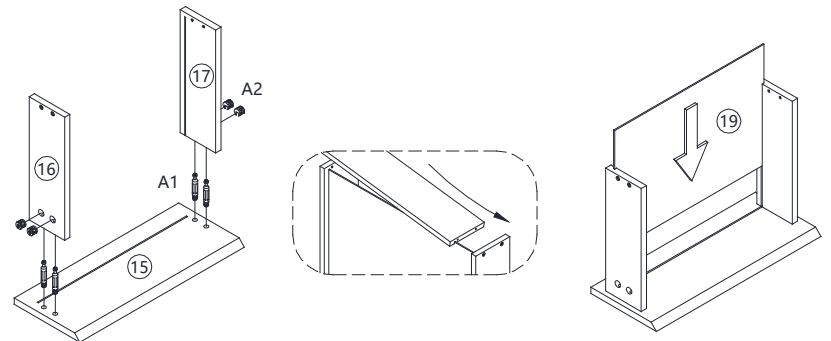
Step 7

M x 4 P x 1



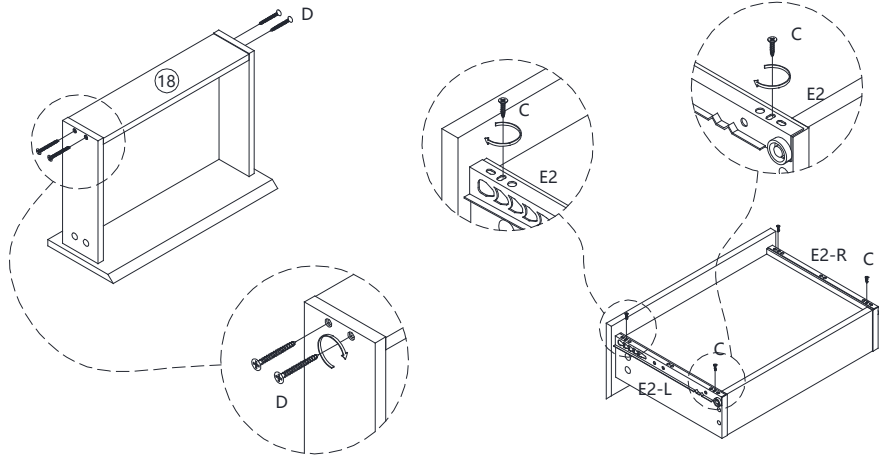
Step 8

A x 4

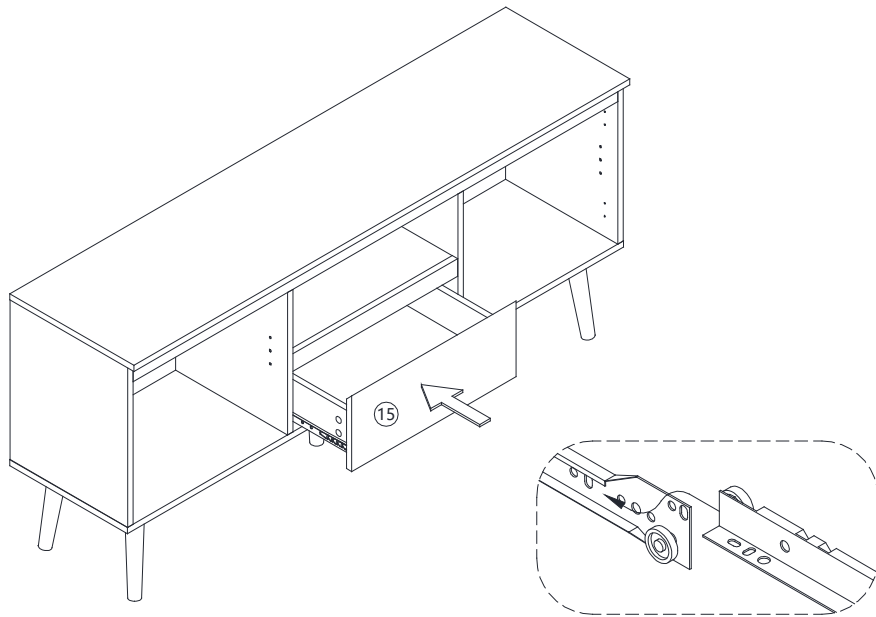


Step 9

C x 4 D x 4 E2 x 2

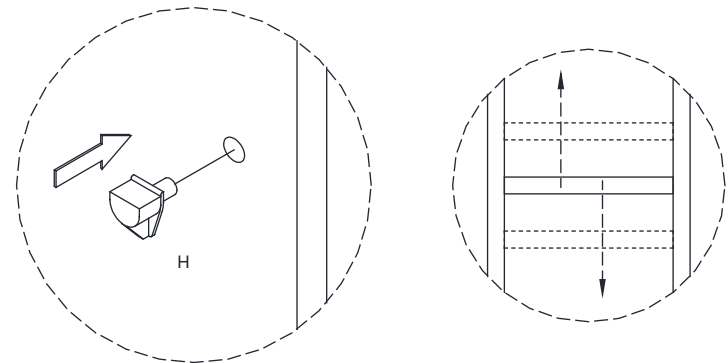
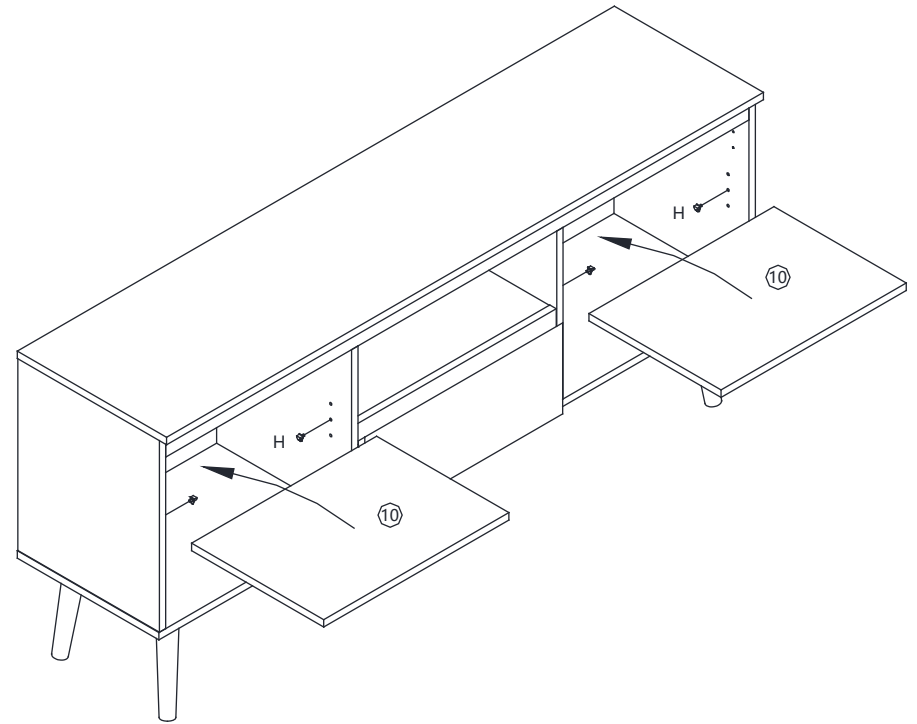


Step 10



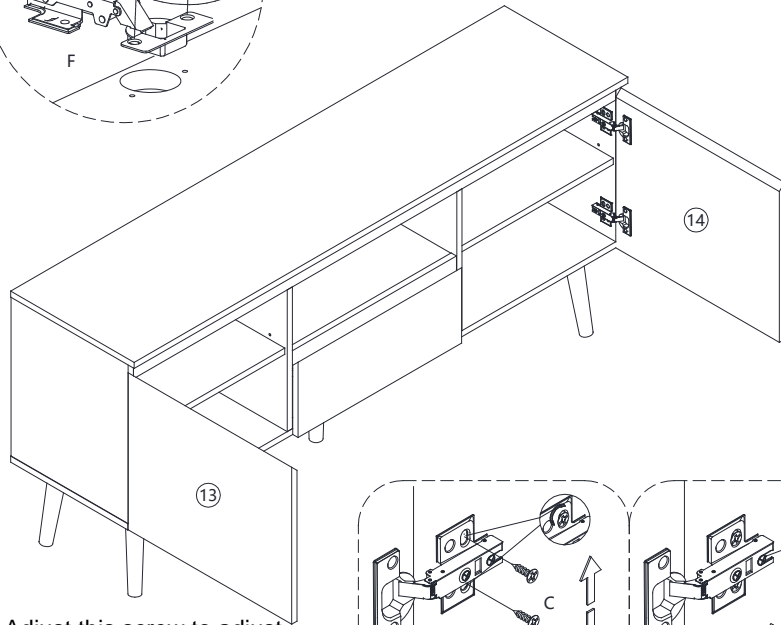
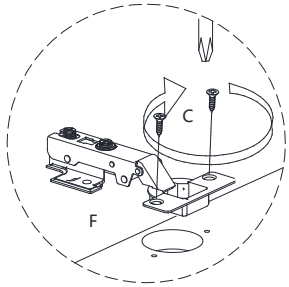
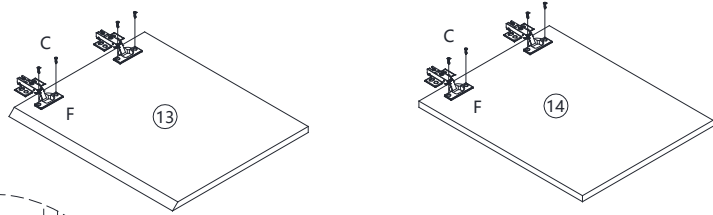
Step 11

H x 8



Step 12

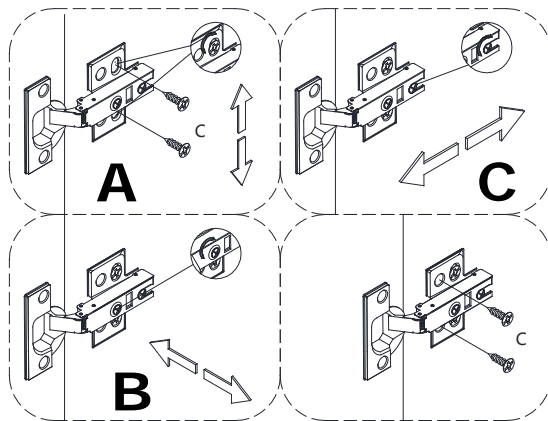
C x 24 F x 4



A Adjust this screw to adjust the distance between the upper and down parts of the door panel,

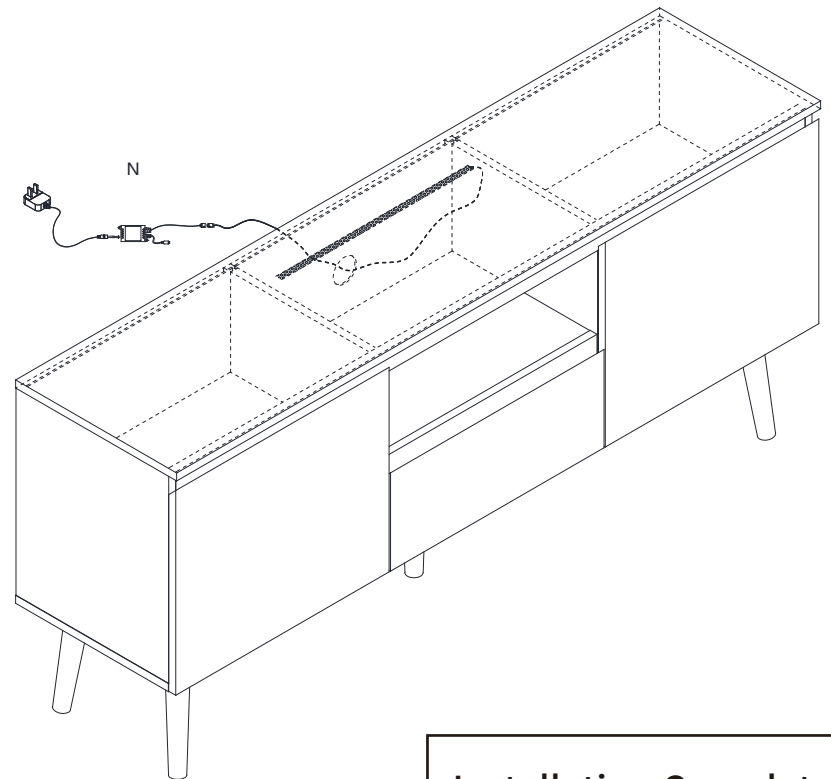
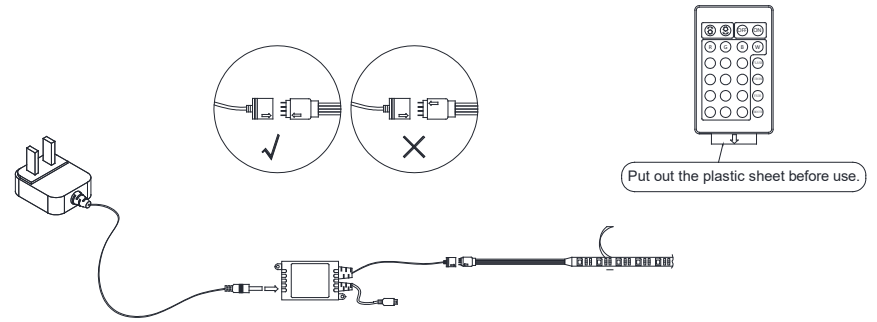
B Adjust this screw to adjust the left and right distance of the door panel.

C Adjust this screw to adjust the longitudinal separation of the door panel.



Step 13

N x 1



Installation Completed