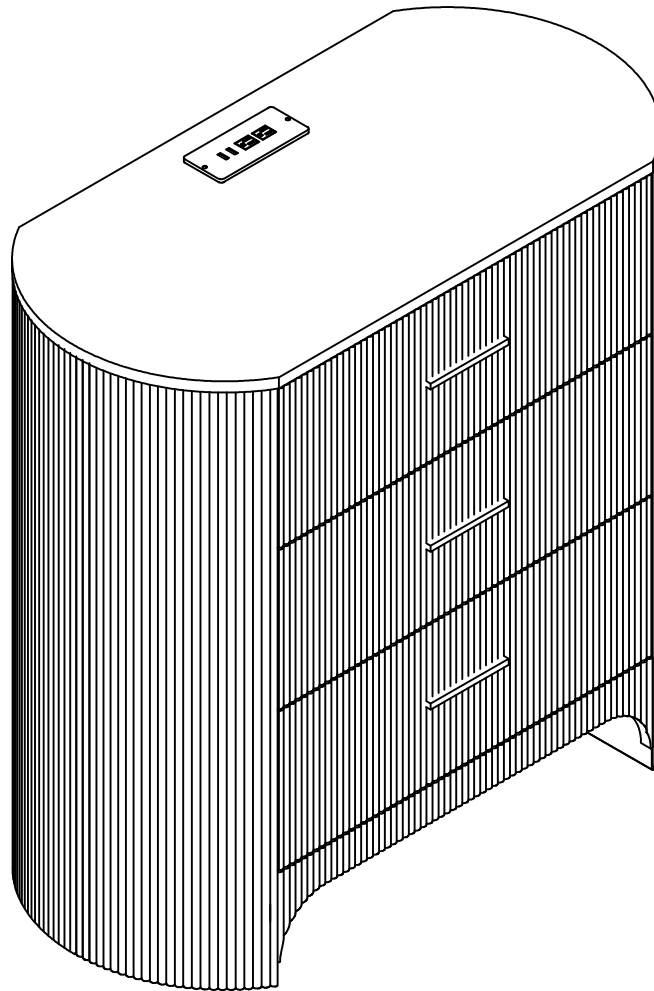
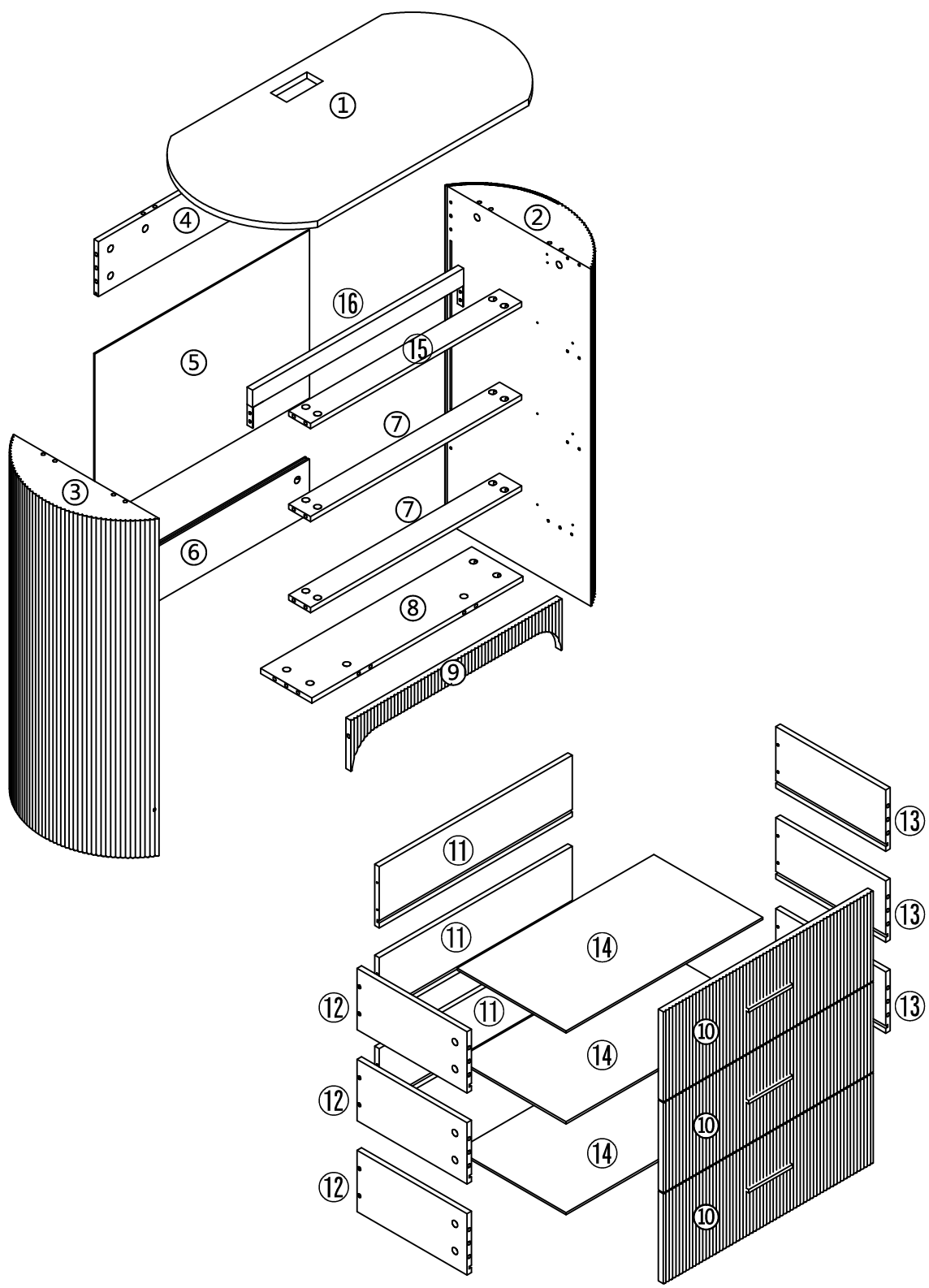




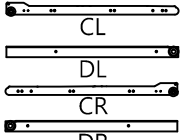






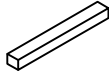







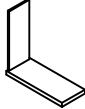
ASSEMBLY INSTRUCTIONS



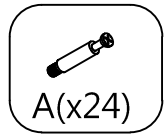
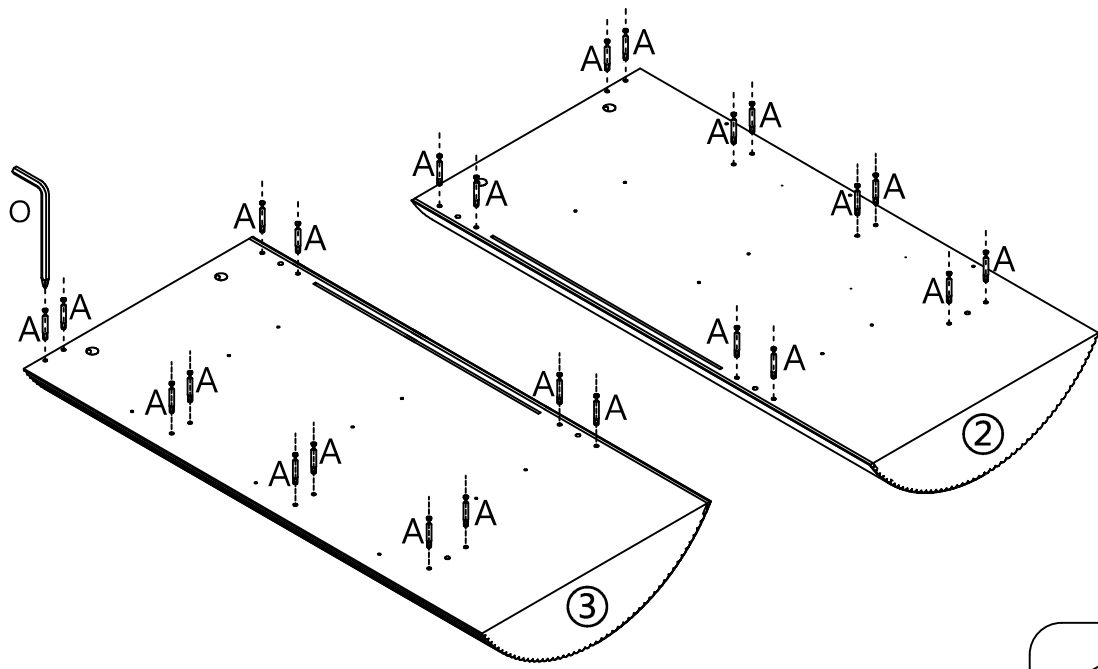
Parts List



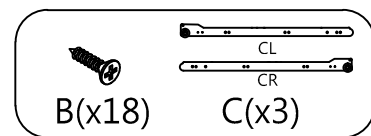
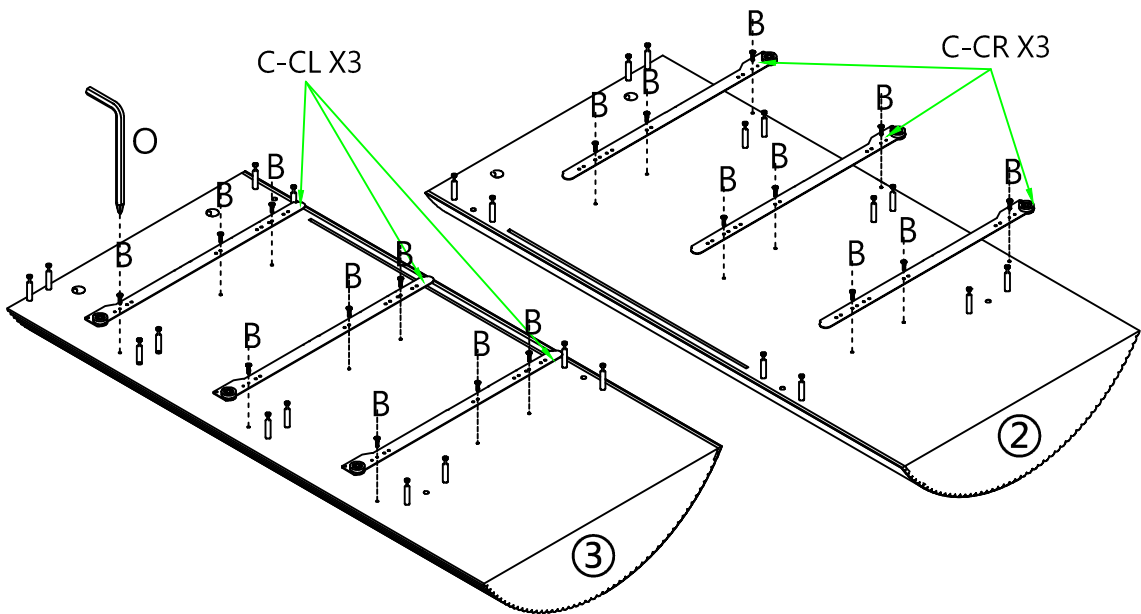
Hardware List

 A(x44+1)	 M4*12 B(x44+6)	 CL DL CR DR L=300 C(x3)	 D(x2)	 M6*30 E(x20+1)
 D=15 F(x44+1)	 M4*20 G(x4)	 M3.5*25 H(x12)	 M4*22 I(x6)	 J(x3)
 K(x4)	 M3.5*15 L(x4)	 M (X1)	 N (X2)	 O(x1)
 M3.5*40 P(x2)	 Q(x2)	 R(x2)		

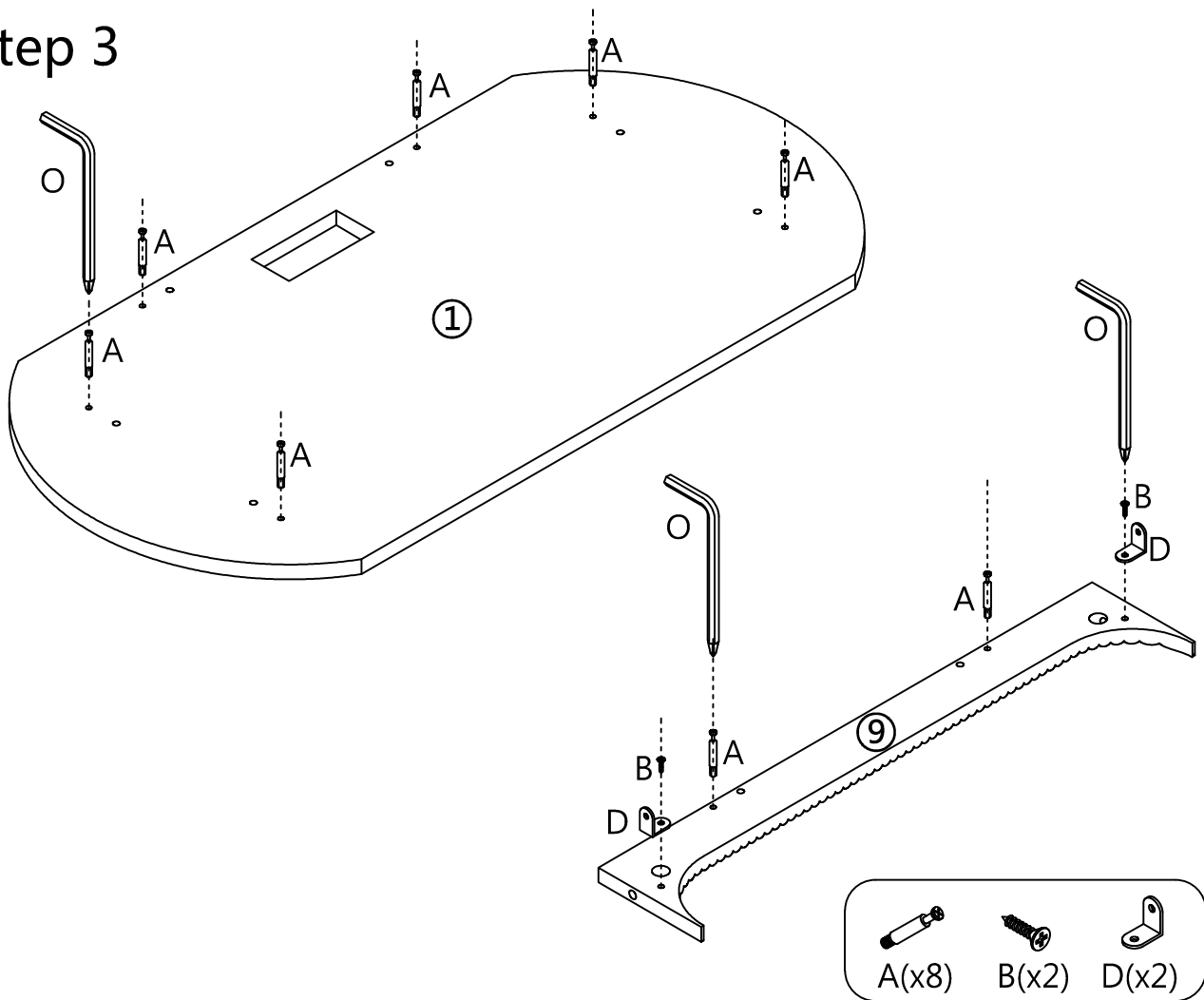
Step 1



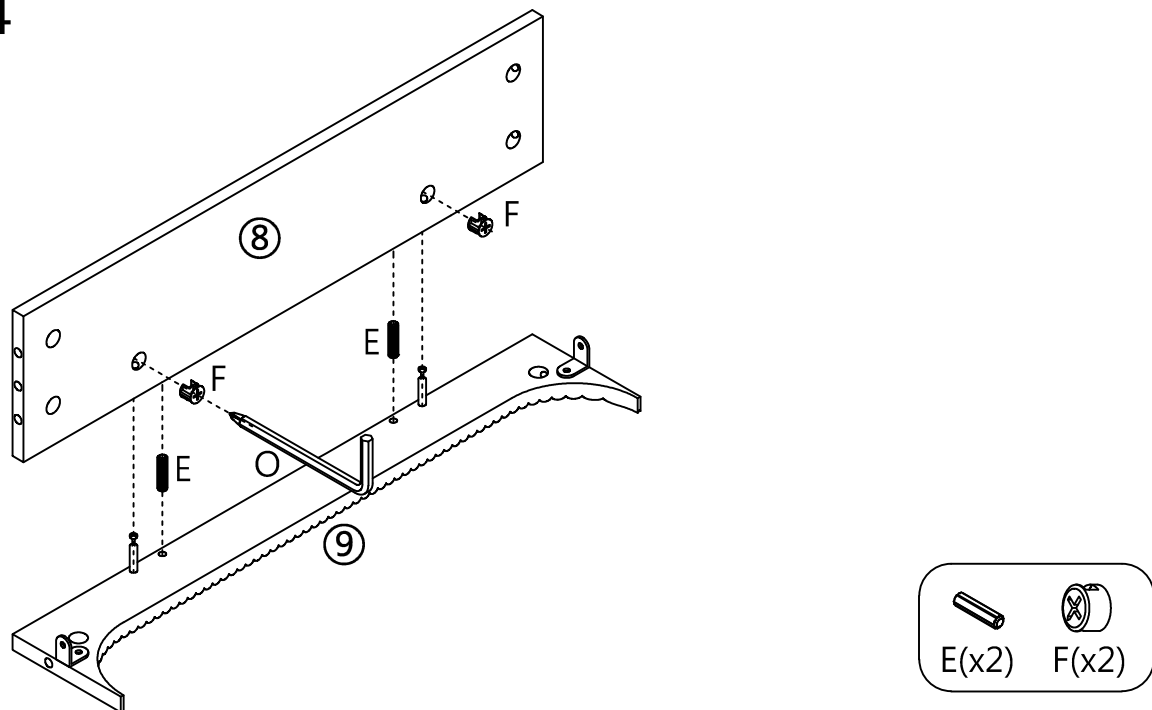
Step 2



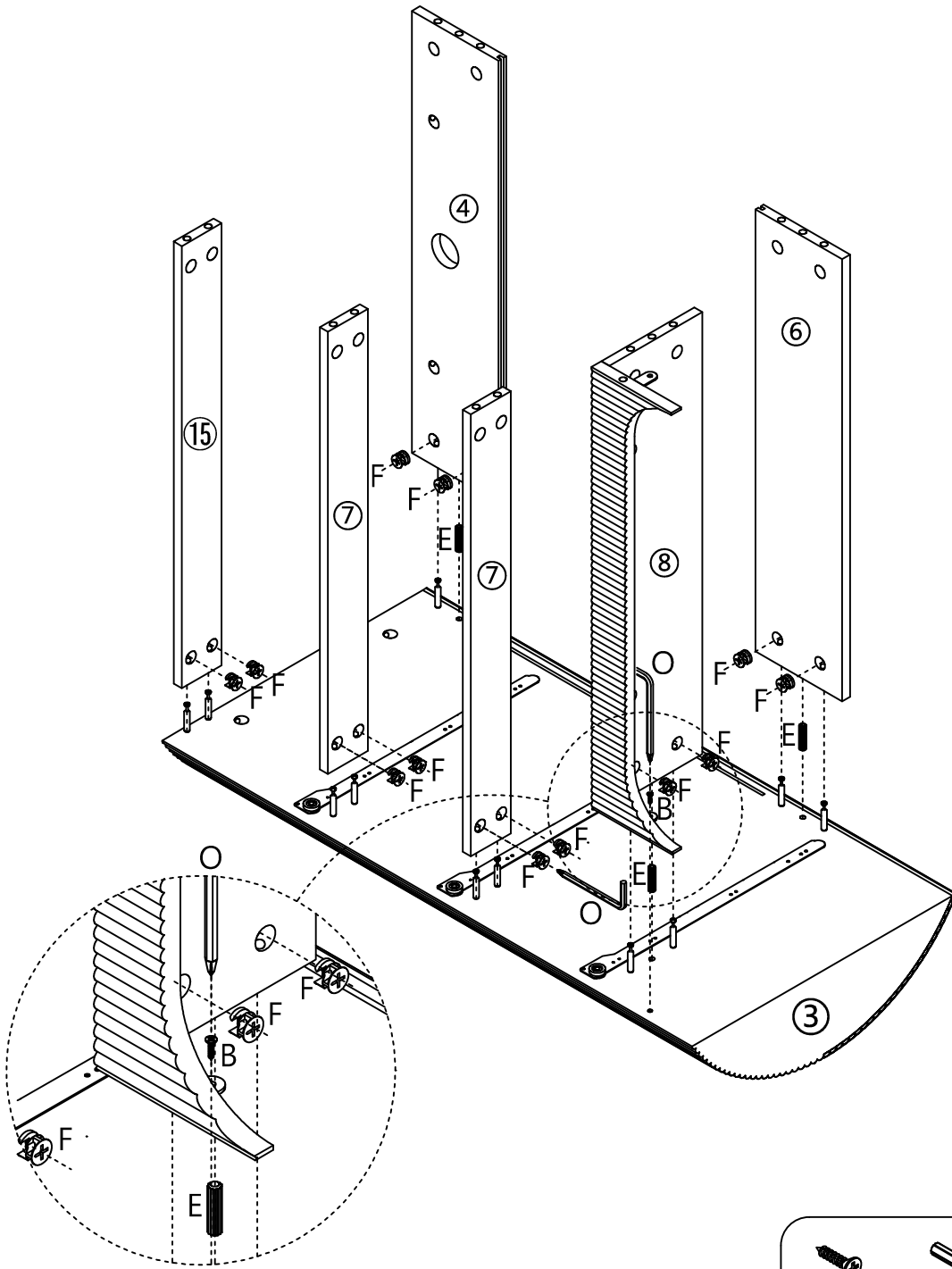
Step 3






Step 4

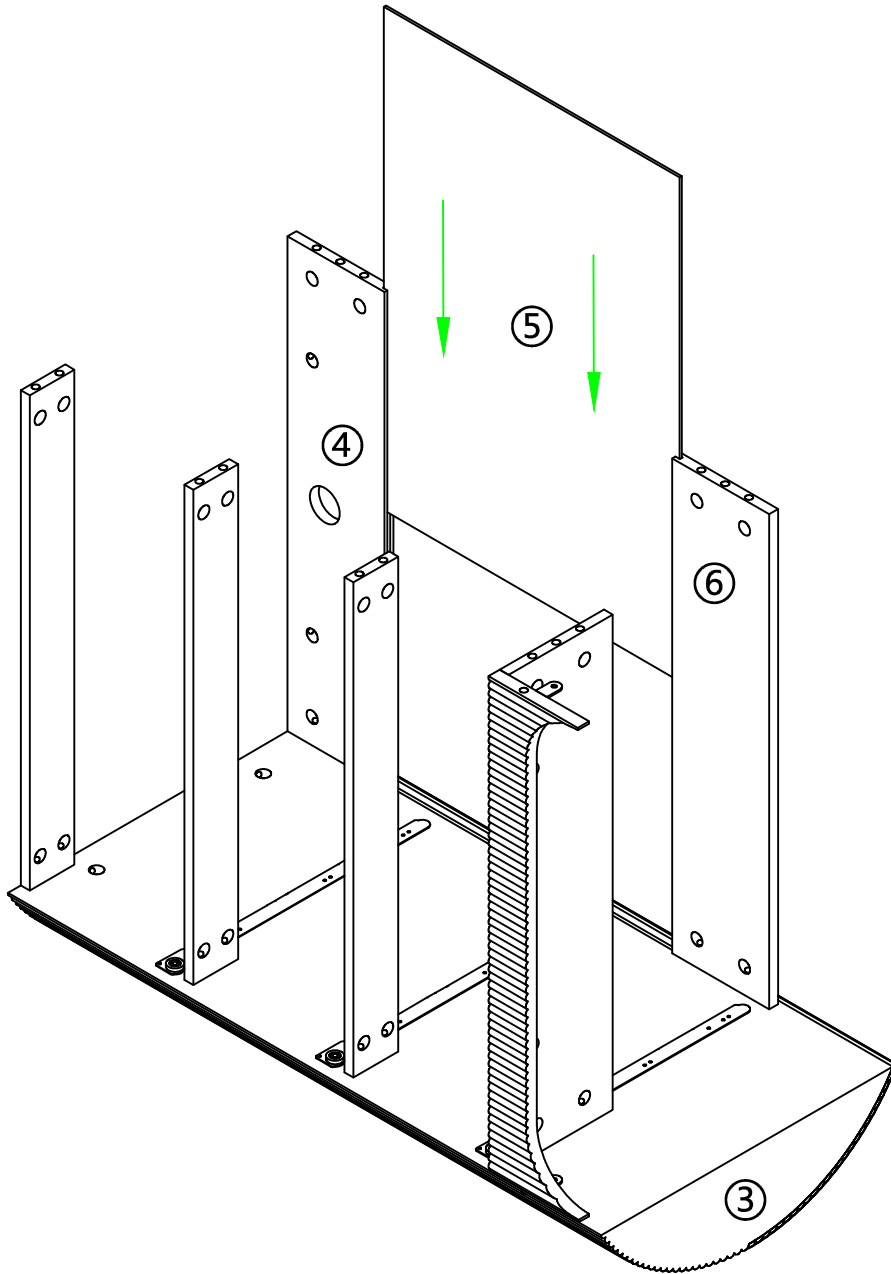


Step 5

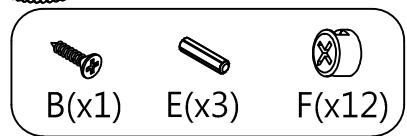
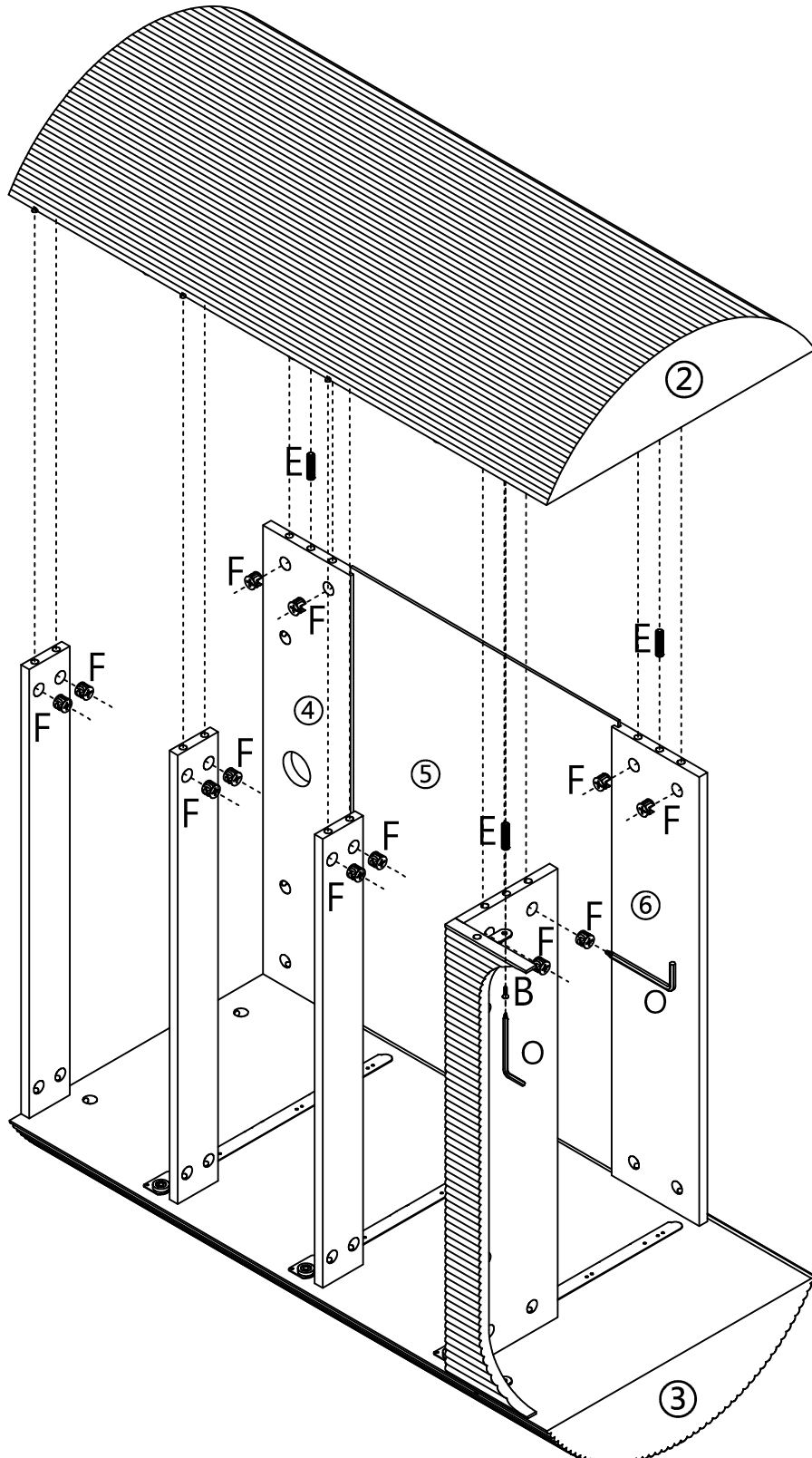


-  B(x1)
-  E(x3)
-  F(x12)

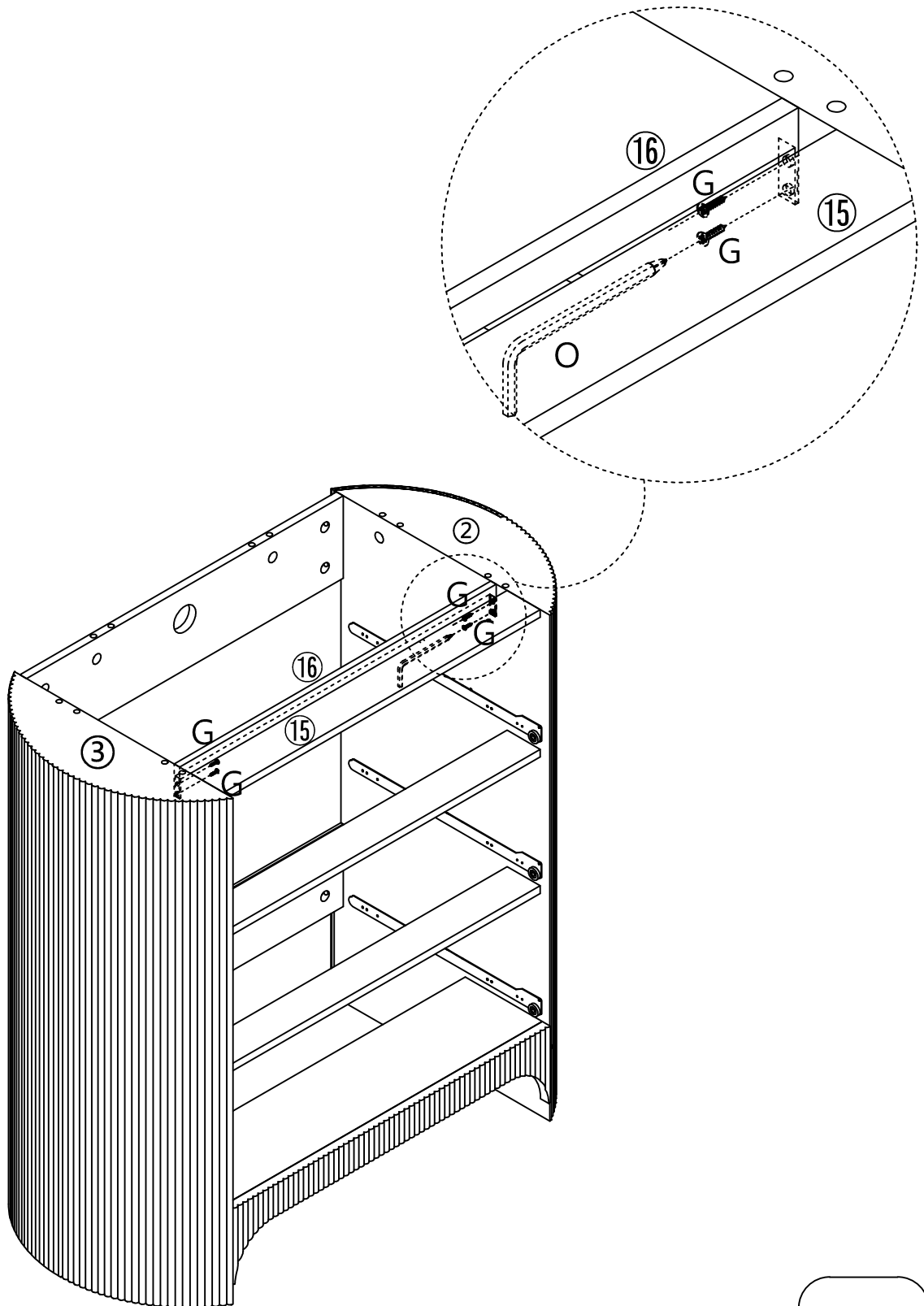
Step 6



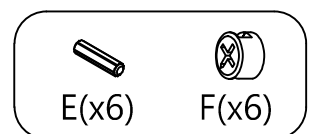
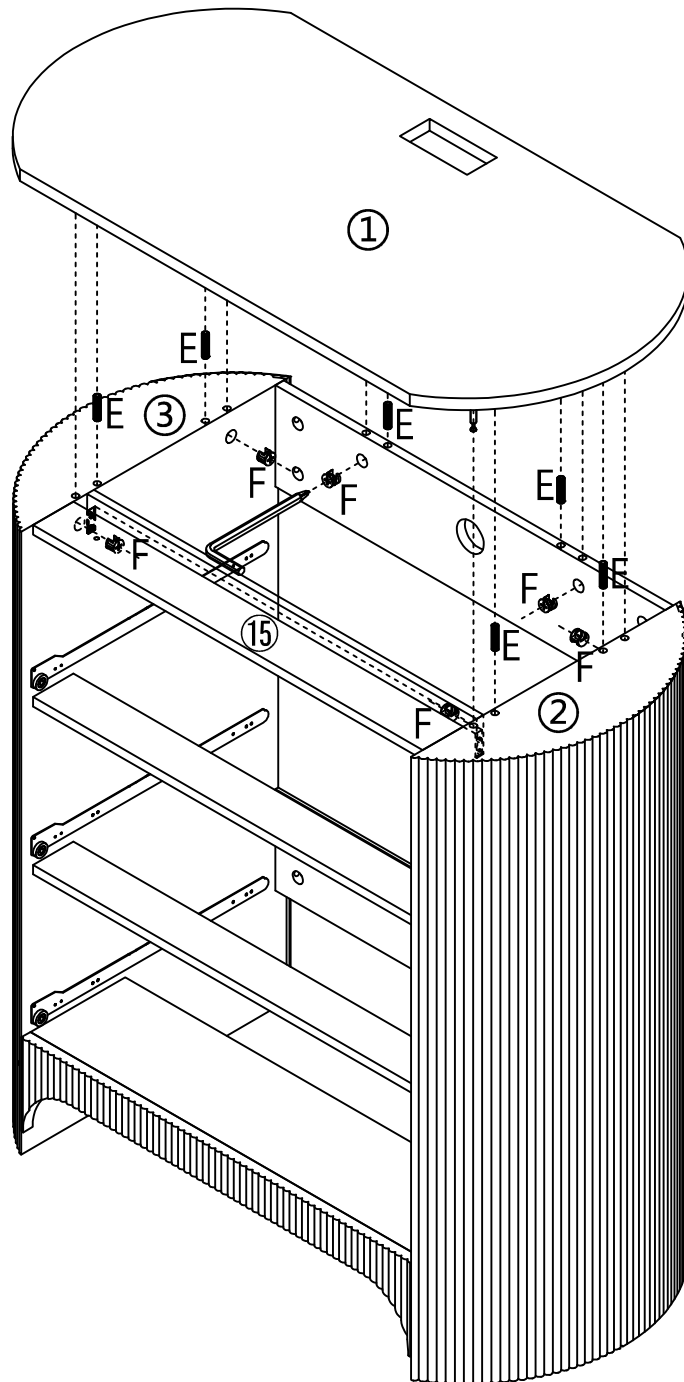
Step 7



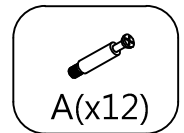
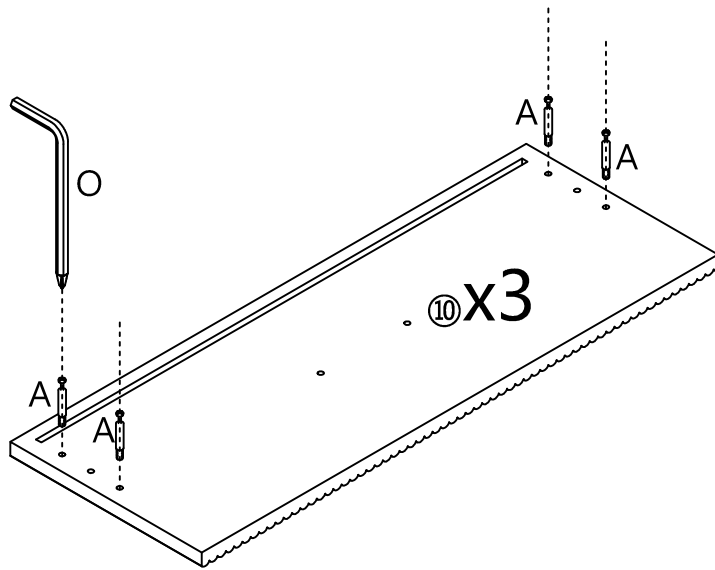
Step 8



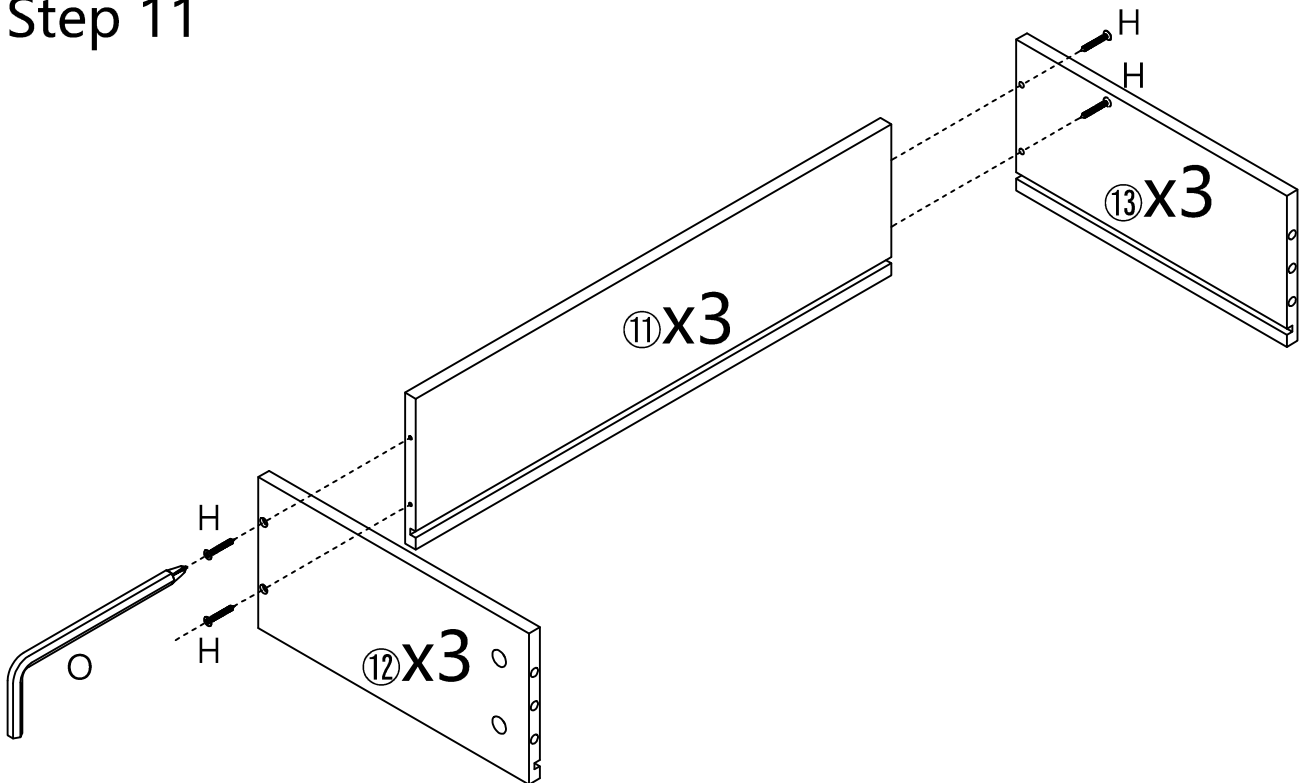
Step 9



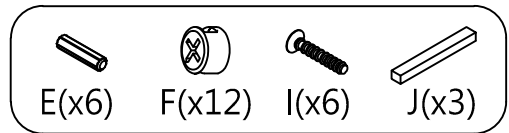
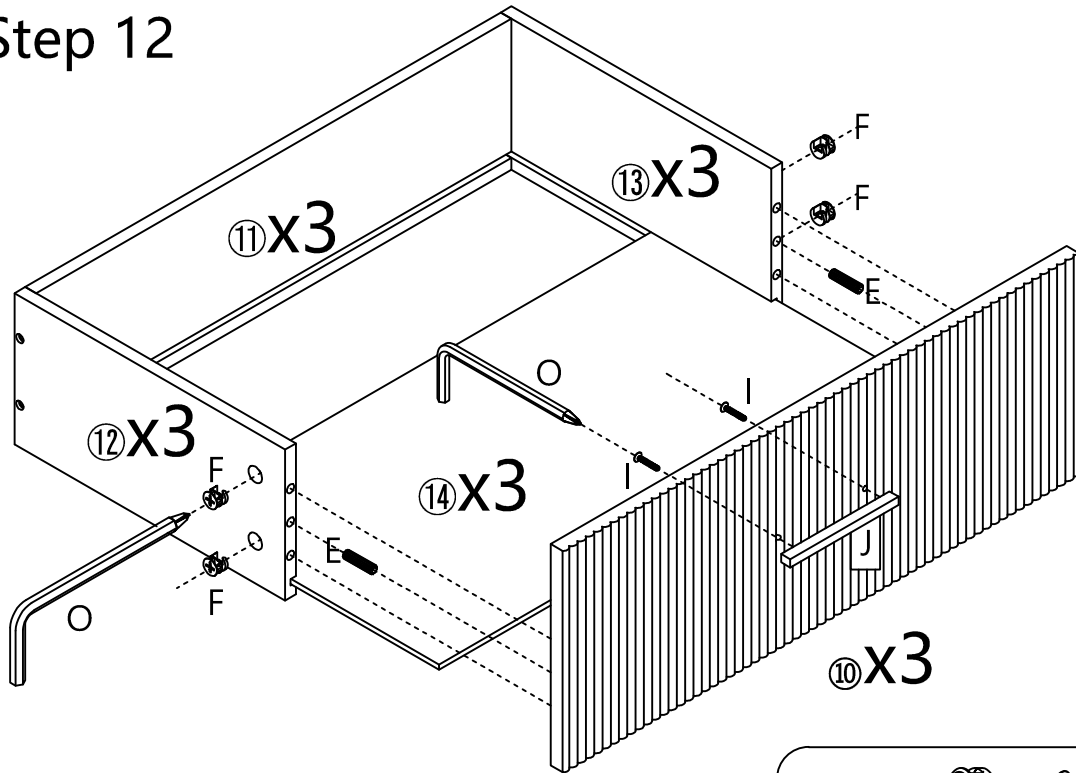
Step 10



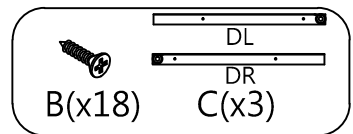
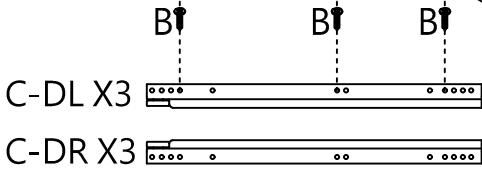
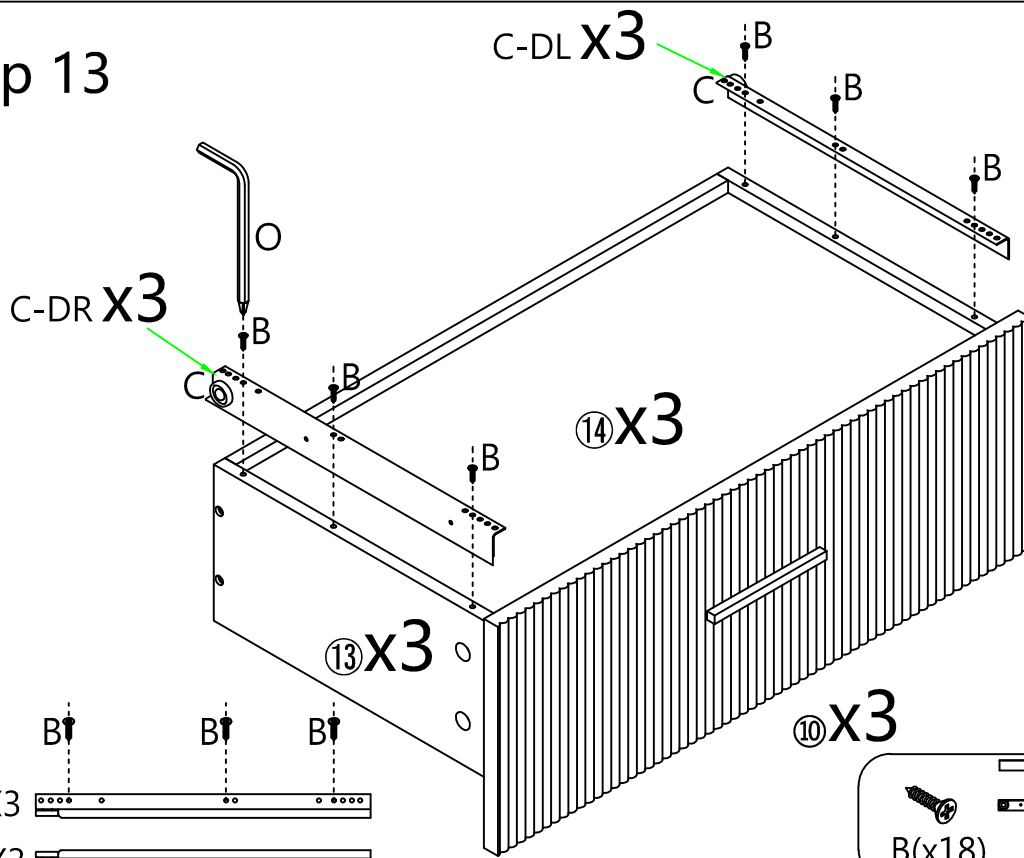
Step 11



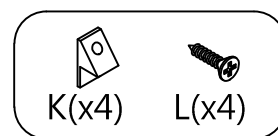
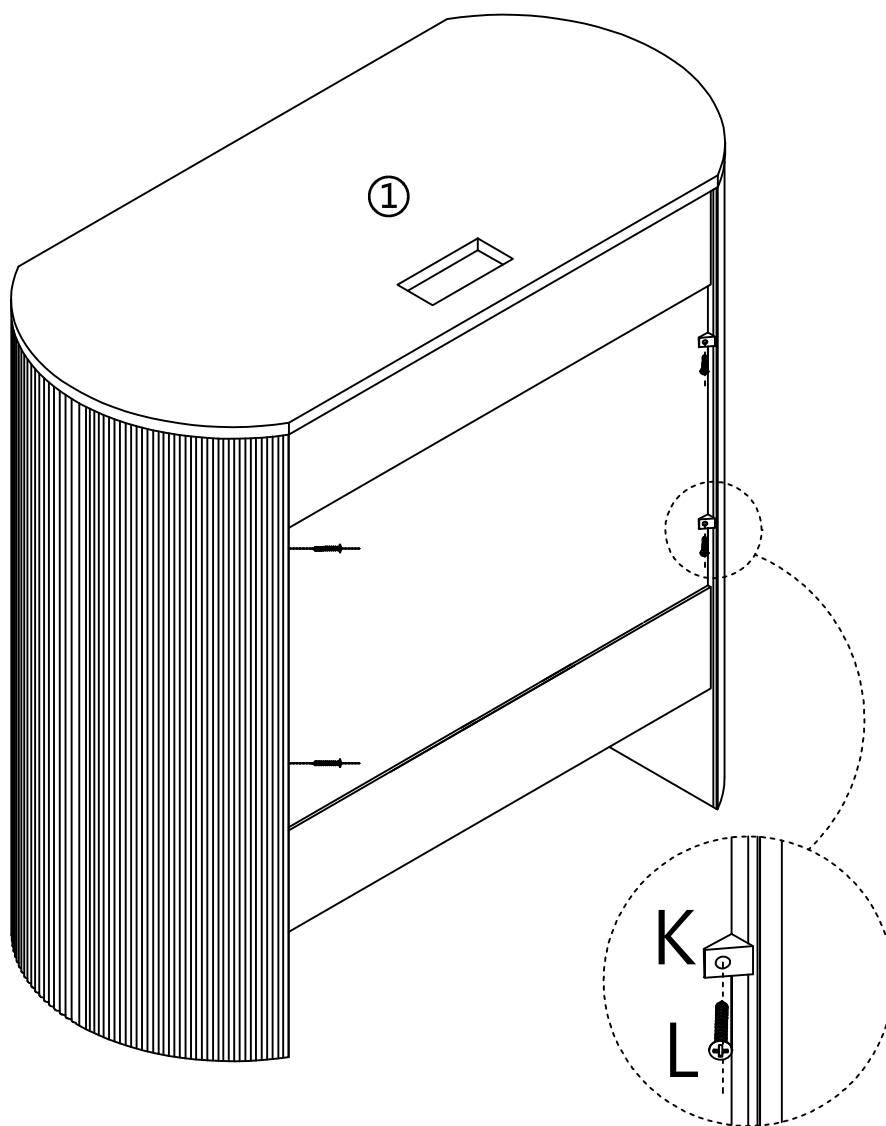
Step 12



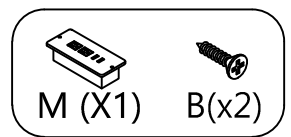
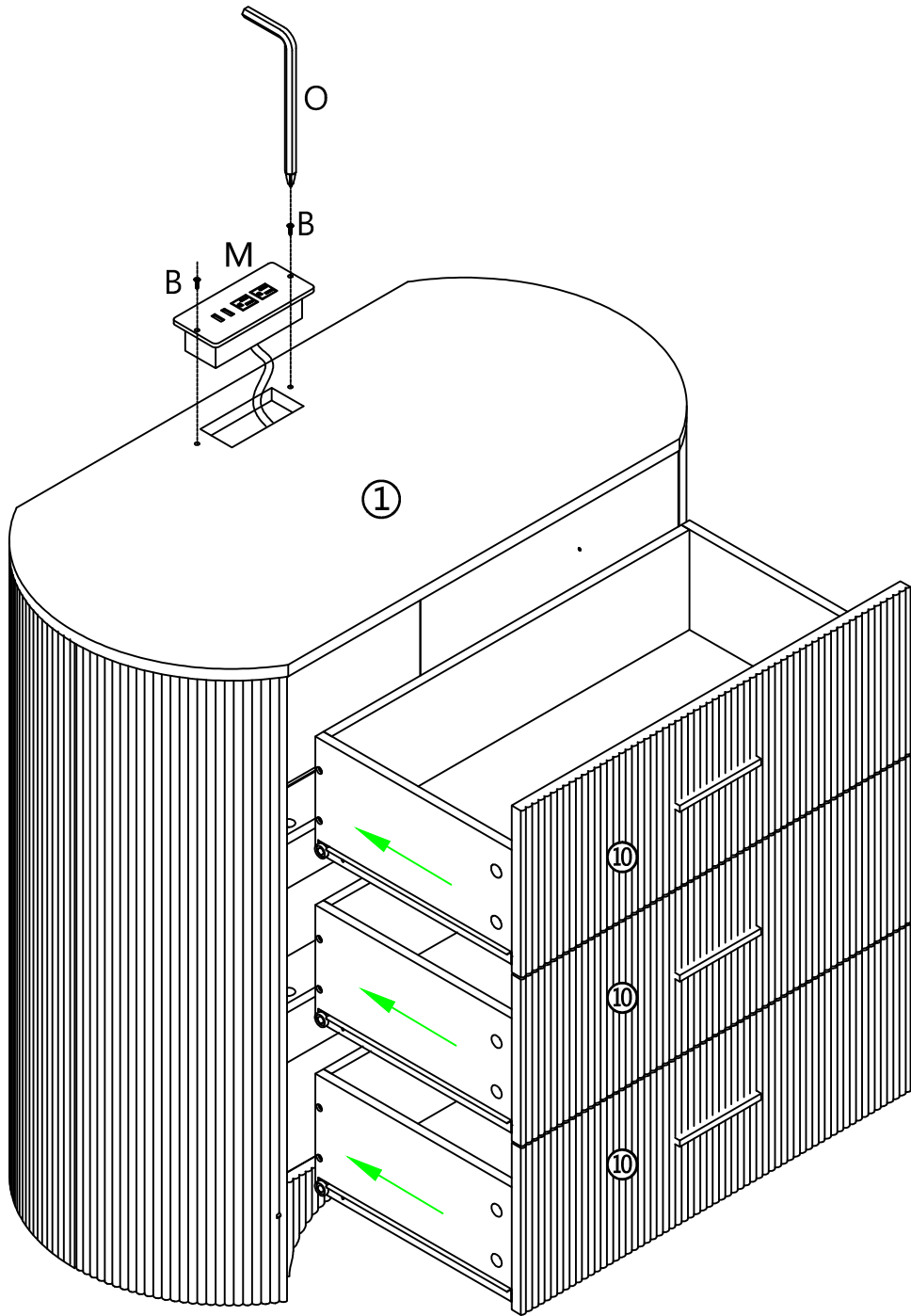
Step 13



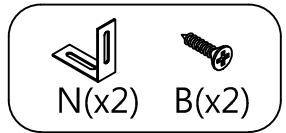
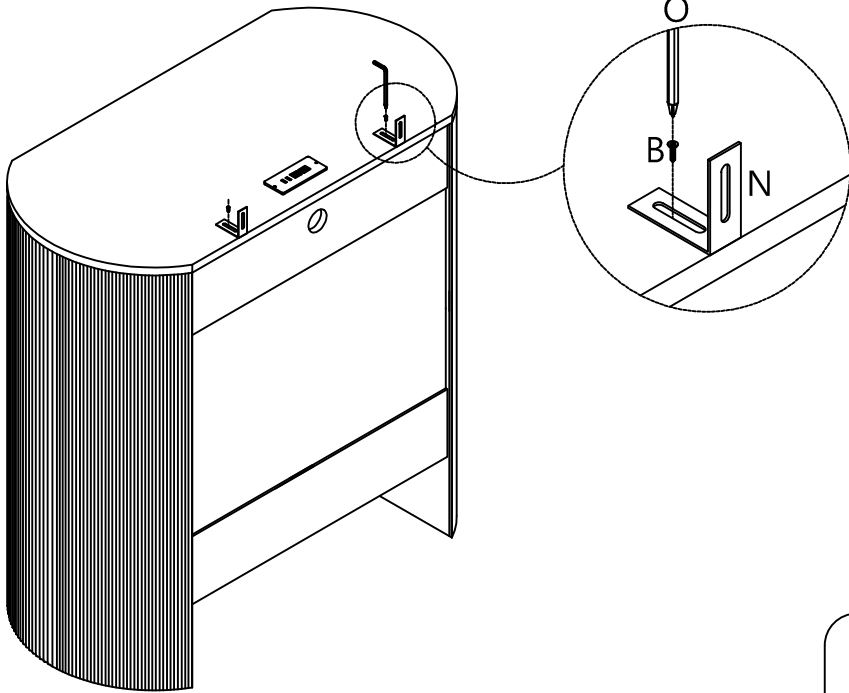
Step 14



Step 15



Step 16



Step 17

