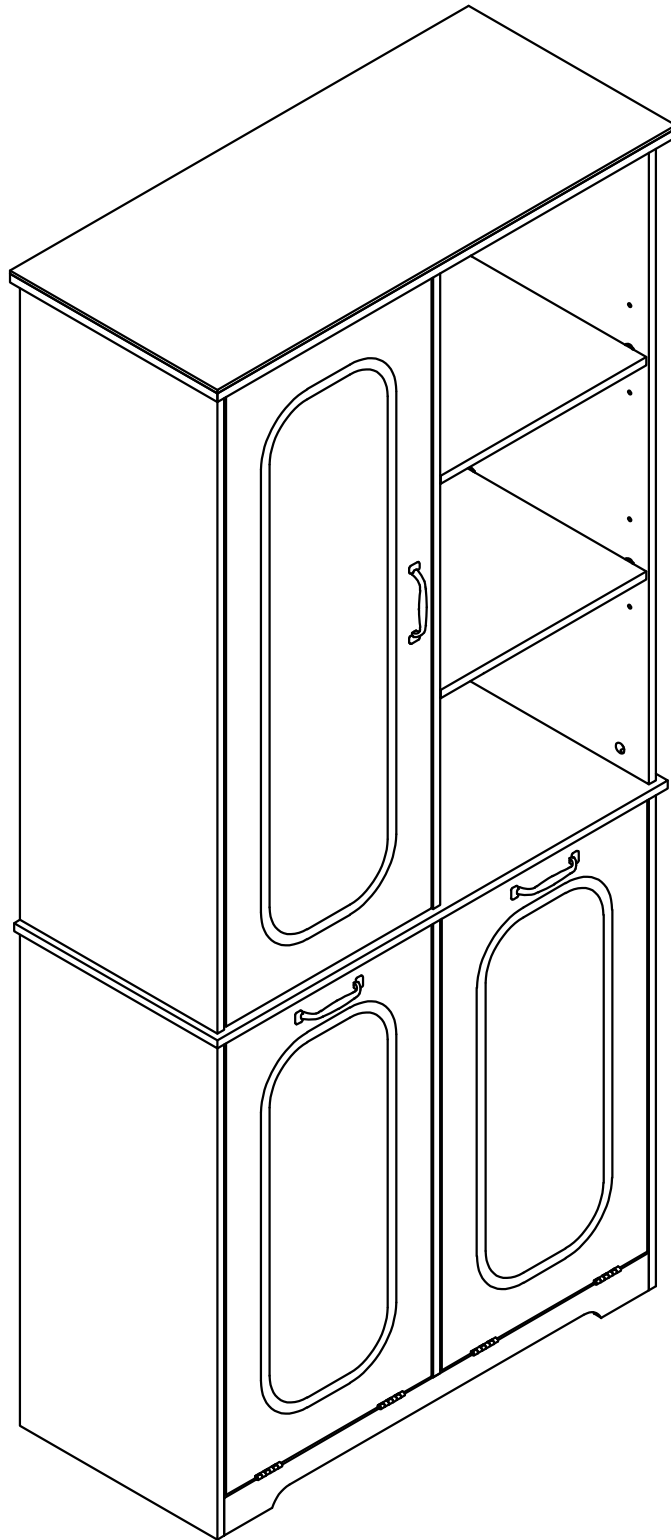
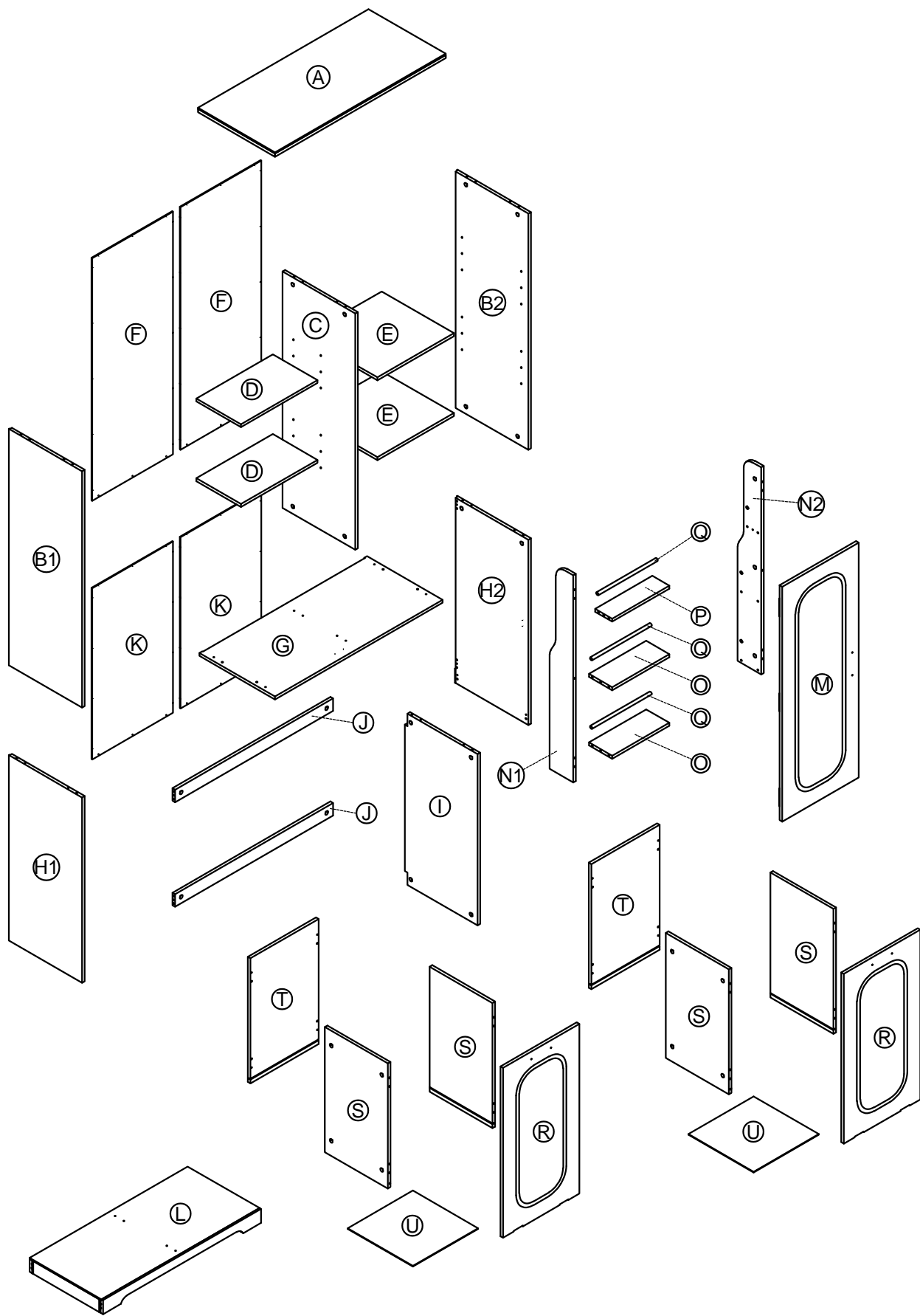


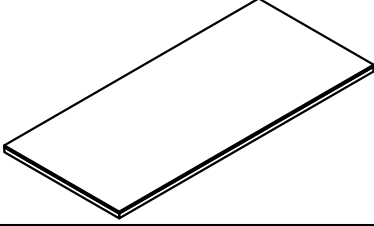
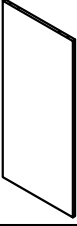
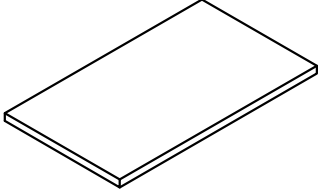

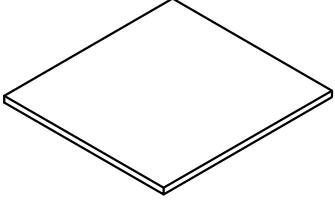
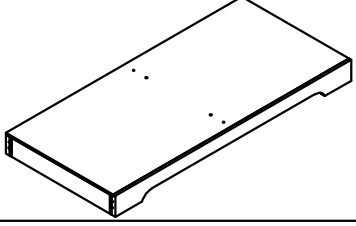
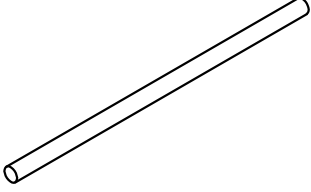
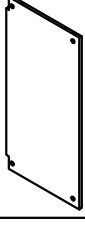
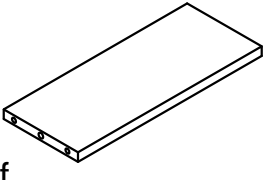
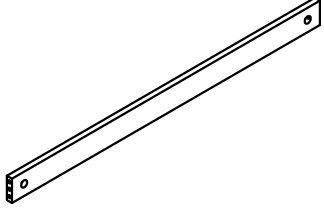
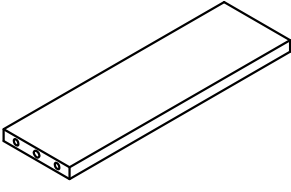
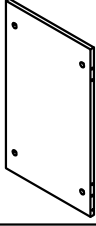
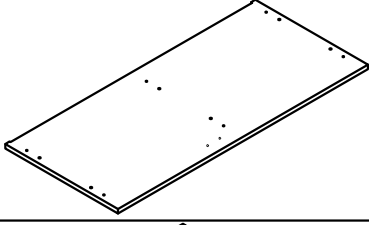
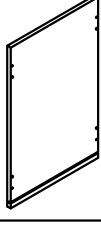
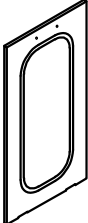
ASSEMBLY INSTRUCTION

Storage Cabinet





PART LIST (Box 1/Hardware)

<p>Ⓐ x 1</p>  <p>Top Panel</p>	<p>Ⓜ1 x 1</p>  <p>Bottom Left Side Panel</p>
<p>Ⓓ x 2</p>  <p>Left adjustable shelf</p>	<p>Ⓜ2 x 1</p>  <p>Bottom Right Side Panel</p>
<p>Ⓔ x 2</p>  <p>Right adjustable shelf</p>	<p>Ⓛ x 1</p>  <p>Bottom Frame</p>
<p>Ⓚ x 3</p>  <p>Bar of Door Shelf</p>	<p>Ⓛ x 1</p>  <p>Bottom vertical divider</p>
<p>Ⓞ x 2</p>  <p>Bottom Shelf of Door Shelf</p>	<p>Ⓜ x 2</p>  <p>Bottom Back Bar</p>
<p>Ⓟ x 1</p>  <p>Upper Shelf of Door Shelf</p>	<p>Ⓢ x 4</p>  <p>Side Panel</p>
<p>Ⓖ x 1</p>  <p>Middle Panel</p>	<p>Ⓣ x 2</p>  <p>Back Panel</p>
<p>Ⓡ x 2</p>  <p>Tilt-out door panel</p>	

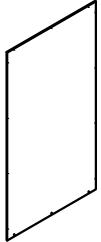
PART LIST (Box 2)

ⓑ1 x 1



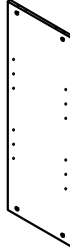
Upper Left Side Panel

Ⓚ x 2



Upper Back Panel

ⓑ2 x 1



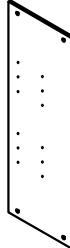
Upper Right Side Panel

Ⓝ1 x 1



Left Side Panel of Door Shelf

ⓒ x 1



Upper vertical divider

Ⓝ2 x 1



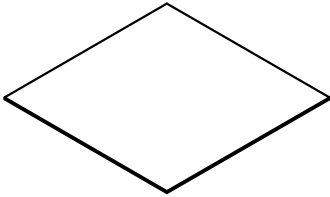
Right Side Panel of Door Shelf

Ⓜ x 1



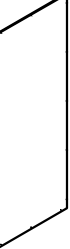
Upper Left Door

Ⓤ x 2



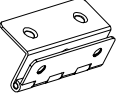

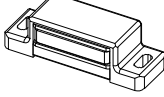
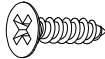
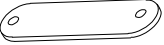
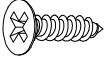
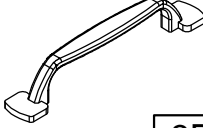
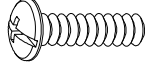


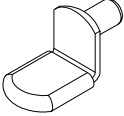
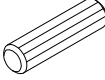
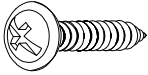

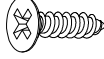
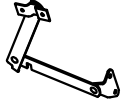
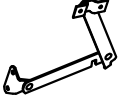
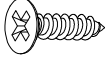
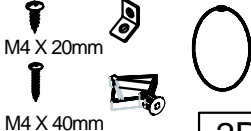
Bottom Panel

ⓕ x 2

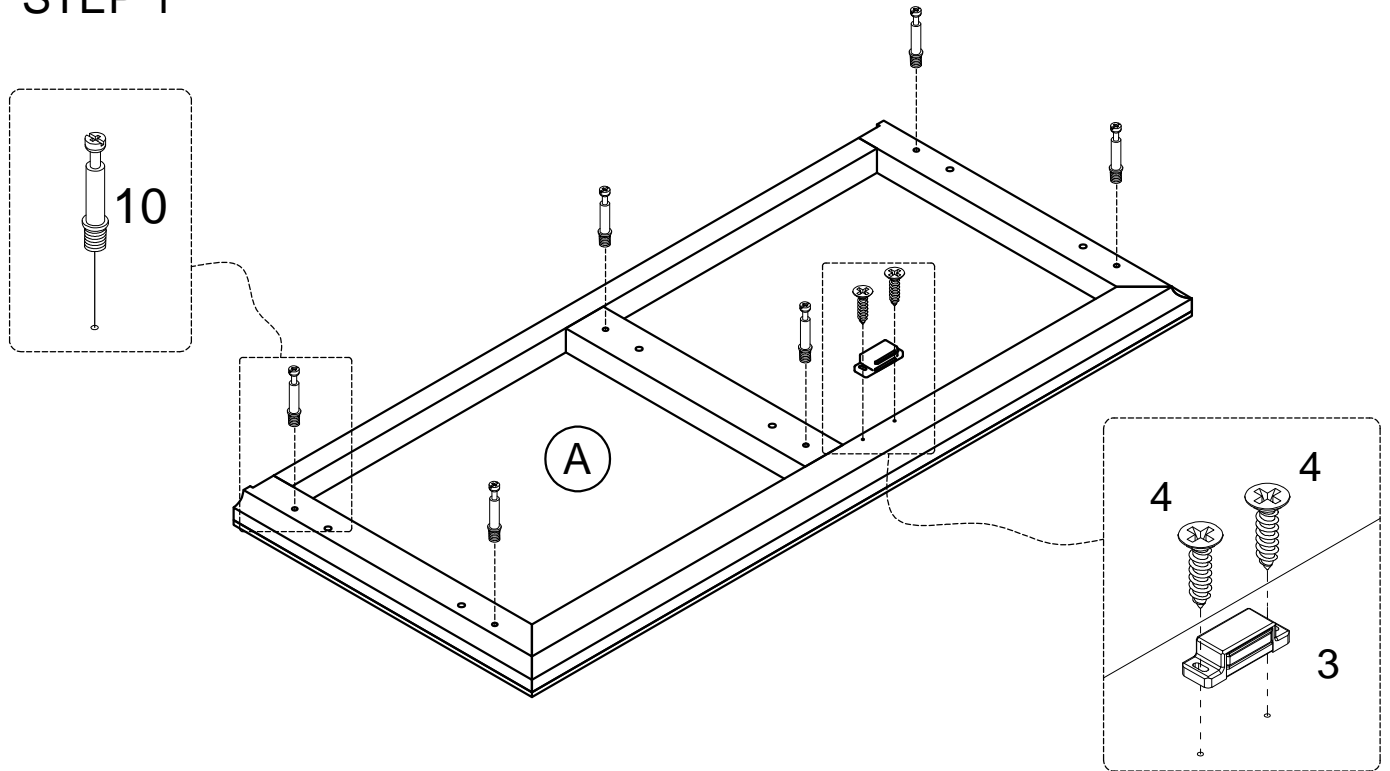


Upper Back Panel

PACKAGE CONTENTS

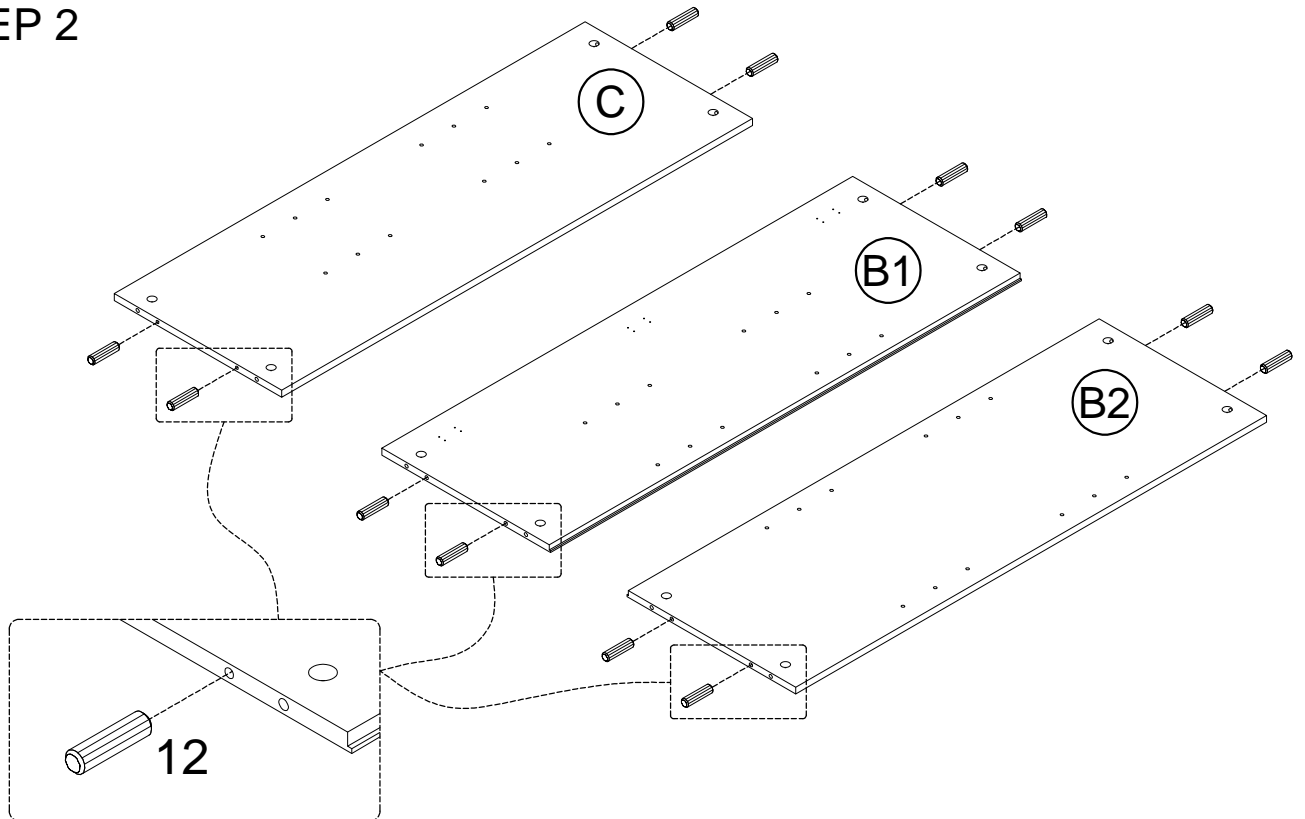
1	2	3	4
 <div style="display: flex; justify-content: flex-end; gap: 10px;"> 4PCS </div>	 <div style="display: flex; justify-content: flex-end; gap: 10px;"> Ø3x12mm 17PCS </div>	 <div style="display: flex; justify-content: flex-end; gap: 10px;"> 4PCS </div>	 <div style="display: flex; justify-content: flex-end; gap: 10px;"> Ø3x15mm 9PCS </div>
5	6	7	8
 <div style="display: flex; justify-content: flex-end; gap: 10px;"> 4PCS </div>	 <div style="display: flex; justify-content: flex-end; gap: 10px;"> Ø3x10mm 9PCS </div>	 <div style="display: flex; justify-content: flex-end; gap: 10px;"> 3PCS </div>	 <div style="display: flex; justify-content: flex-end; gap: 10px;"> M4x12 mm 7PCS </div>
9	10	11	12
 <div style="display: flex; justify-content: flex-end; gap: 10px;"> Ø15x9mm 57PCS </div>	 <div style="display: flex; justify-content: flex-end; gap: 10px;"> Ø6 x35 mm 57PCS </div>	 <div style="display: flex; justify-content: flex-end; gap: 10px;"> 17PCS </div>	 <div style="display: flex; justify-content: flex-end; gap: 10px;"> Ø6 x30 mm 65PCS </div>
13	14	15	16
 <div style="display: flex; justify-content: flex-end; gap: 10px;"> Ø3x12mm 52PCS </div>	 <div style="display: flex; justify-content: flex-end; gap: 10px;"> Hinge 3PCS </div>	 <div style="display: flex; justify-content: flex-end; gap: 10px;"> Ø4x15mm 19PCS </div>	 <div style="display: flex; justify-content: flex-end; gap: 10px;"> Left 2PCS </div>
17	18	19	
 <div style="display: flex; justify-content: flex-end; gap: 10px;"> Right 2PCS </div>	 <div style="display: flex; justify-content: flex-end; gap: 10px;"> Ø3.5x12mm 17PCS </div>	 <div style="display: flex; justify-content: flex-end; gap: 10px;"> M4 X 20mm M4 X 40mm 2PCS </div>	

STEP 1



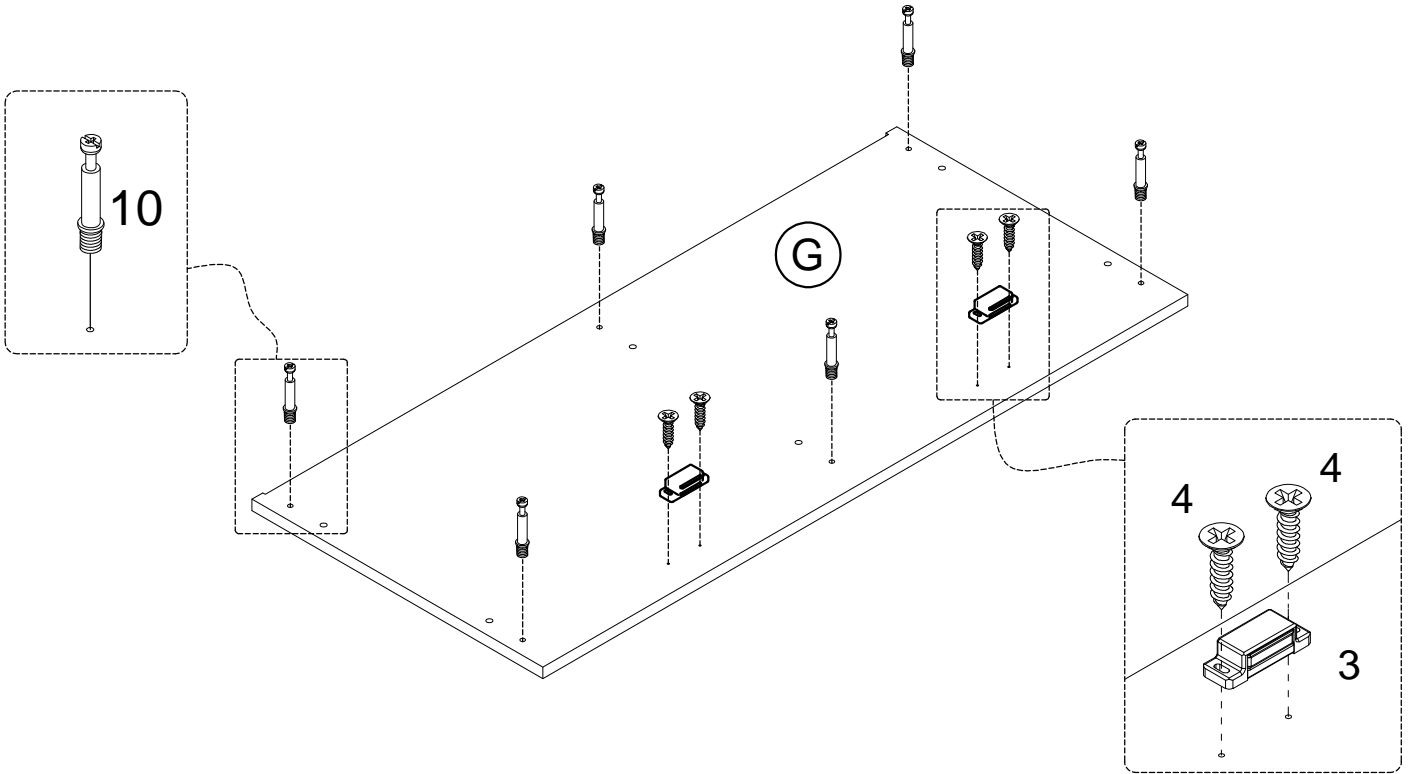
3		1PC
4		2PCS
10		6PCS

STEP 2



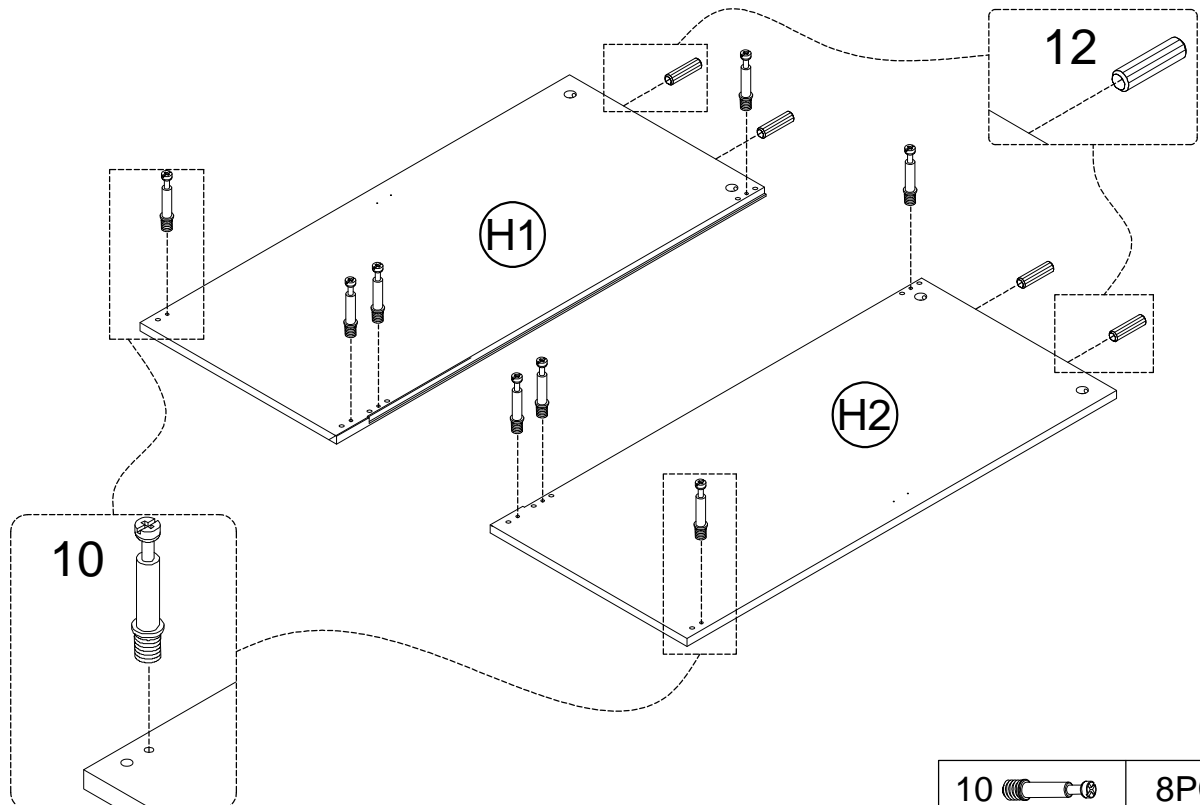
12		12PCS
----	--	-------

STEP 3



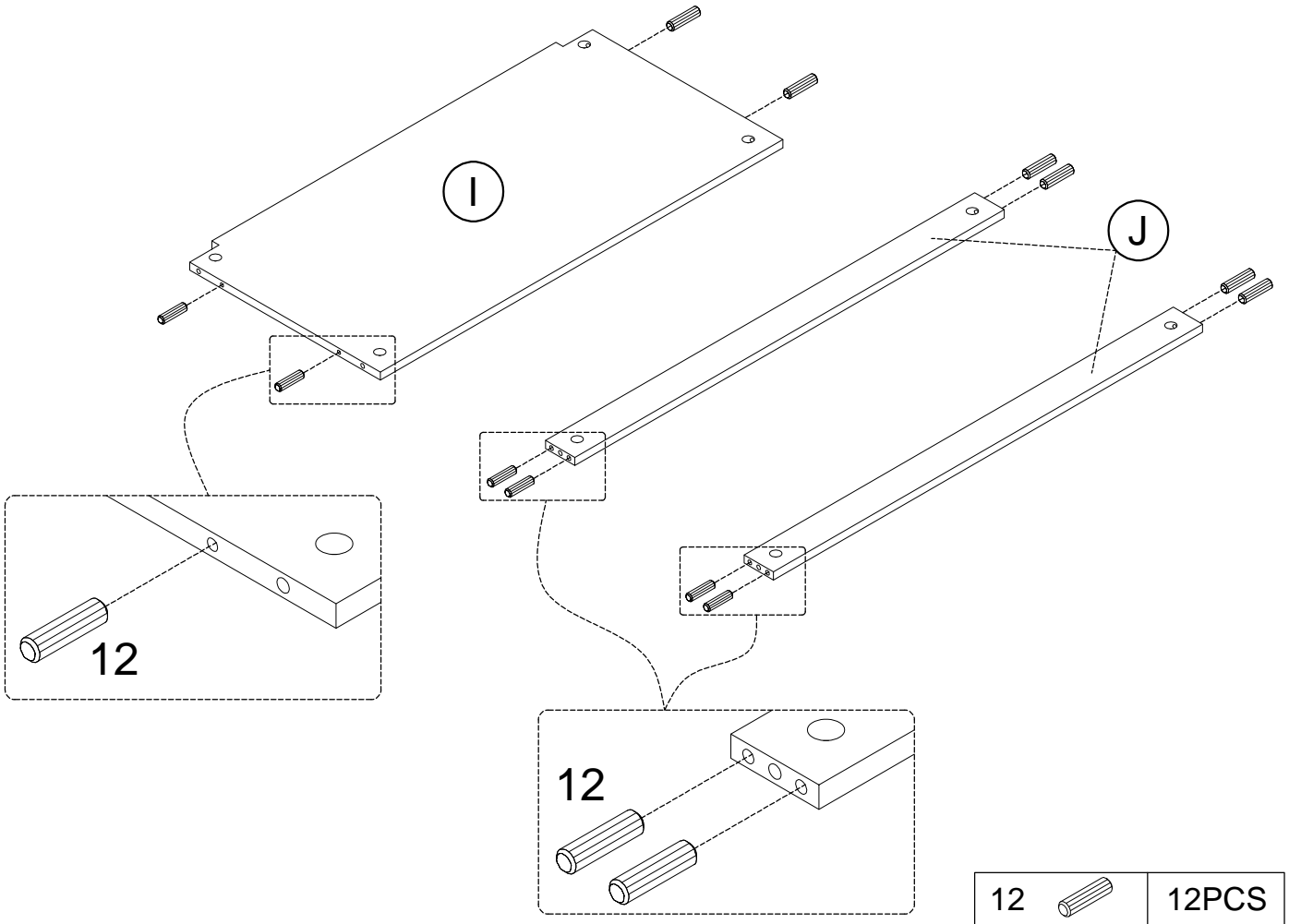
3		2PCS
4		4PCS
10		6PCS

STEP 4

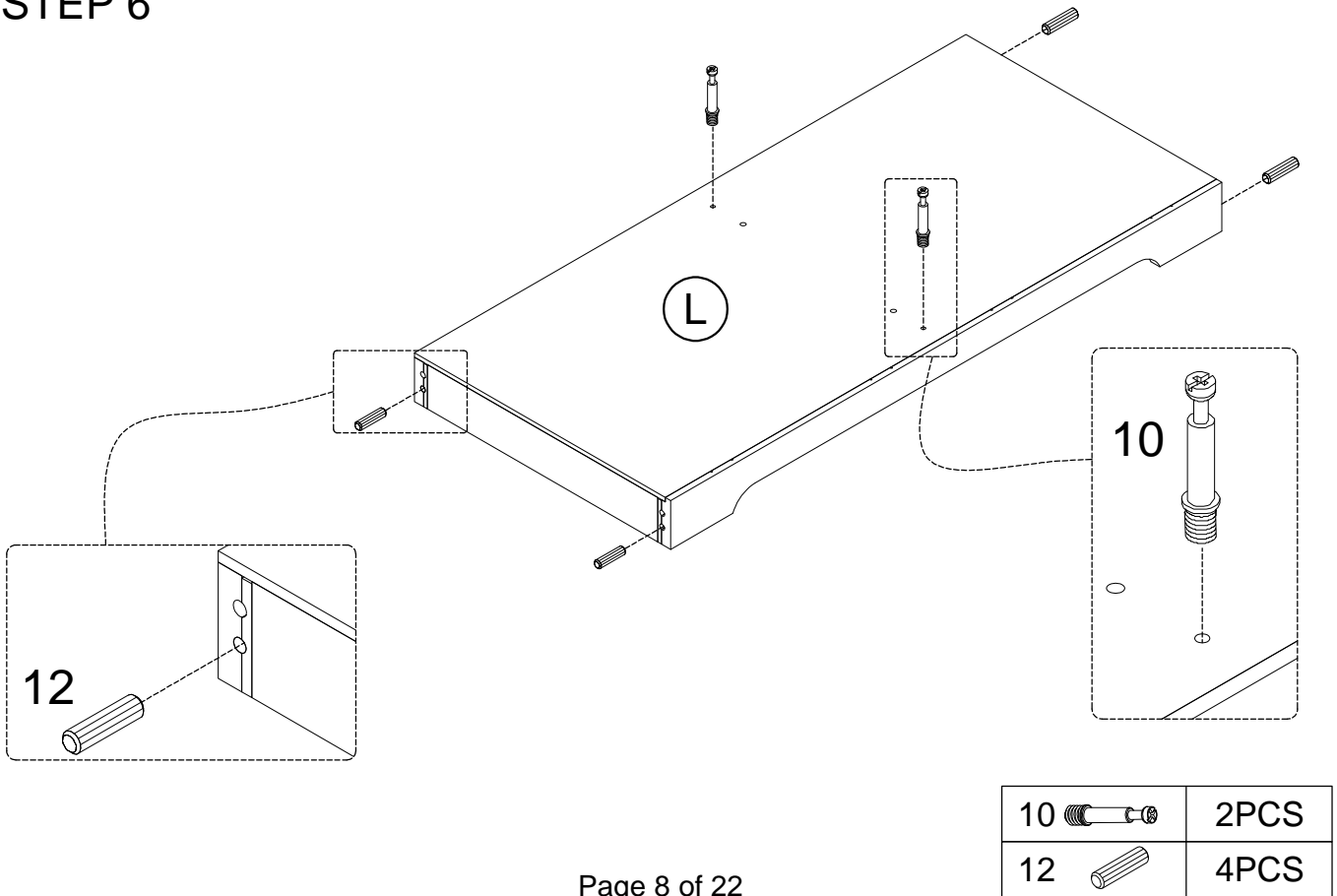


10		8PCS
12		4PCS

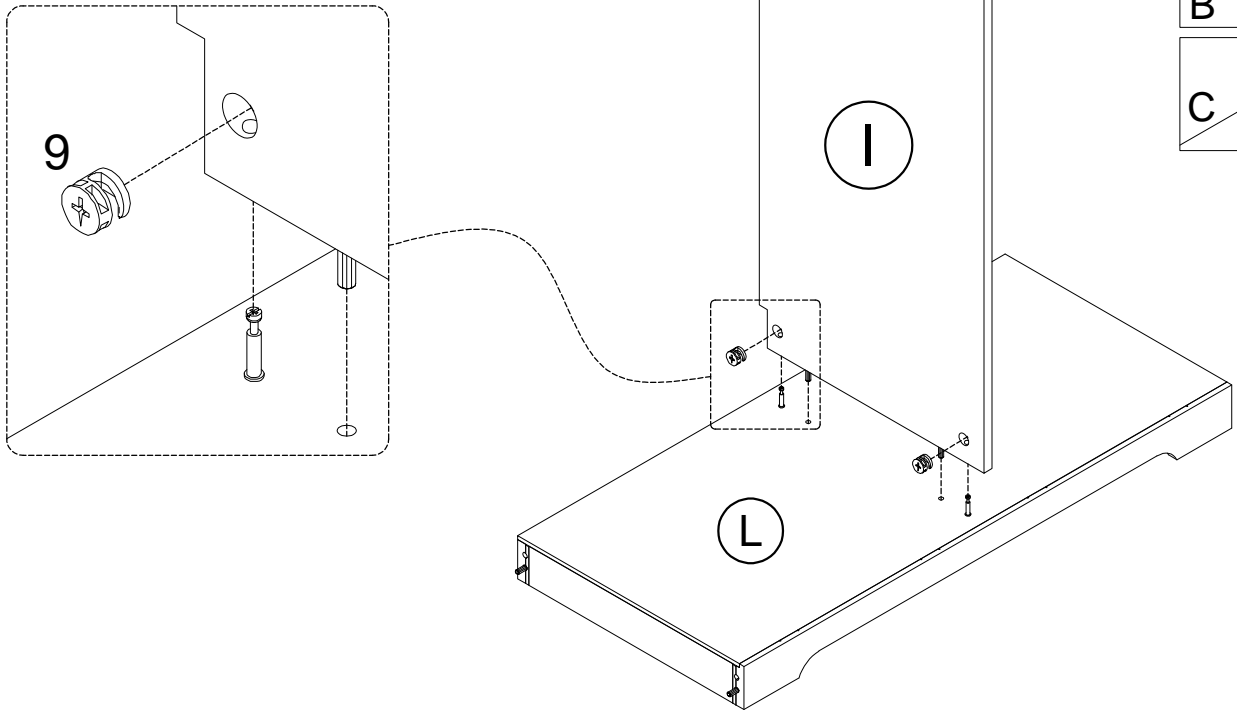
STEP 5




STEP 6

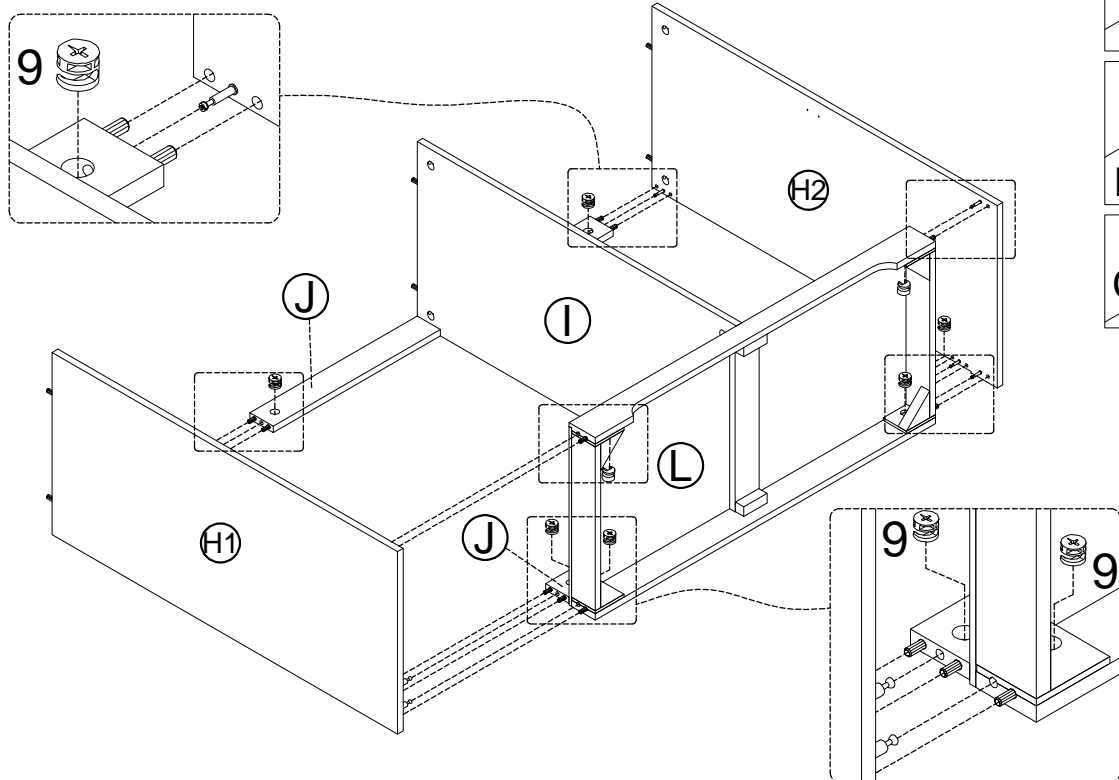



STEP 7



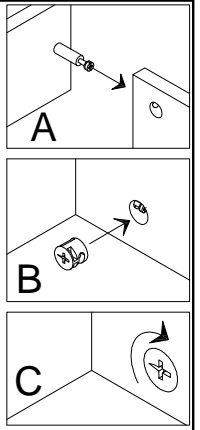
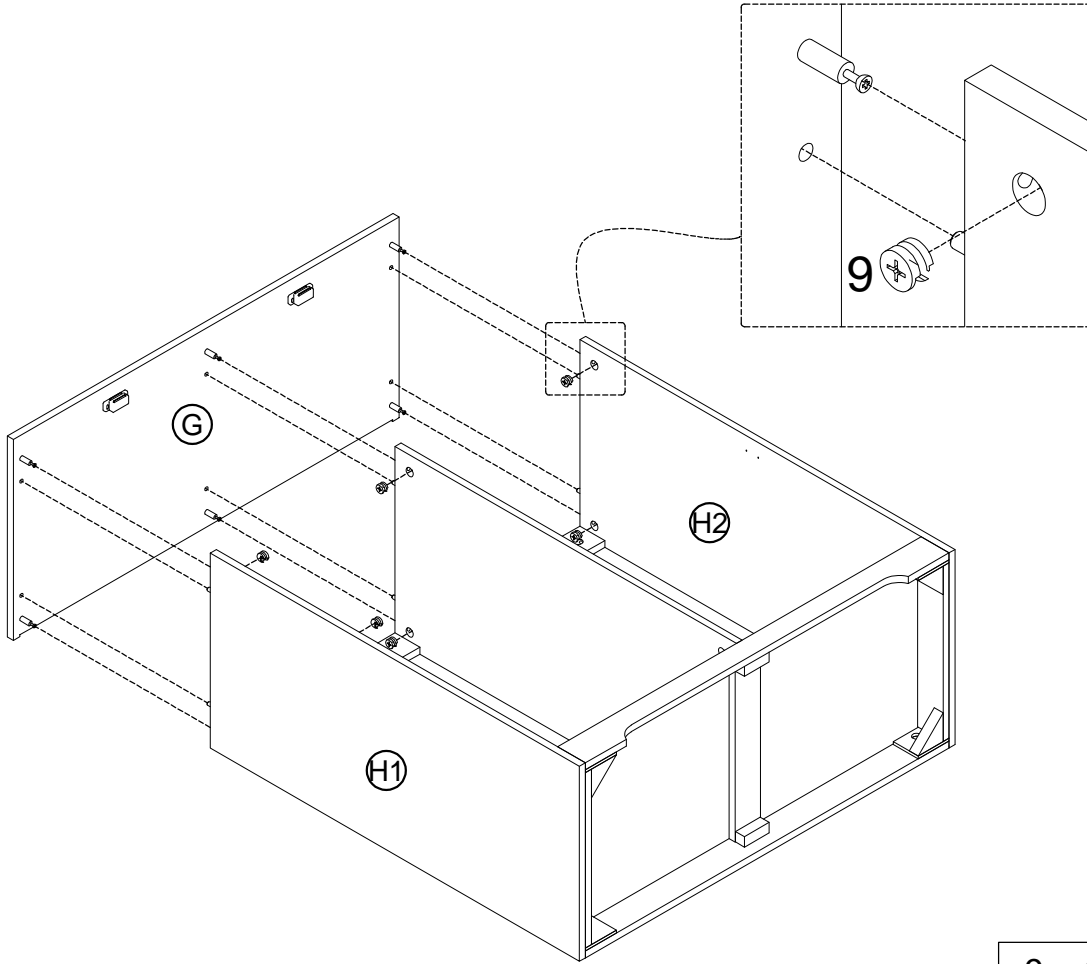
9		2PCS
---	---	------


STEP 8



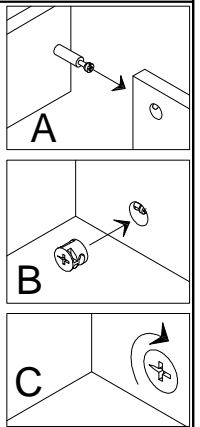
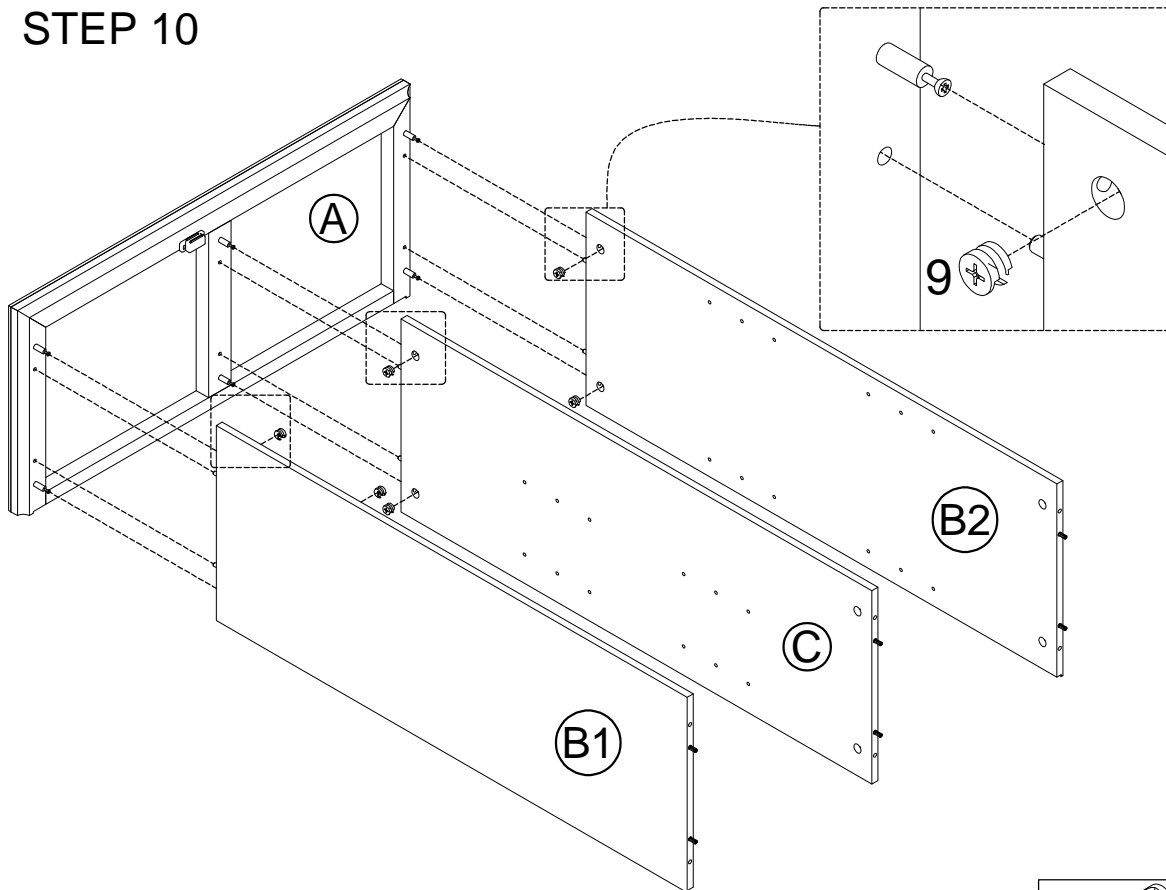
9		8PCS
---	---	------


STEP 9



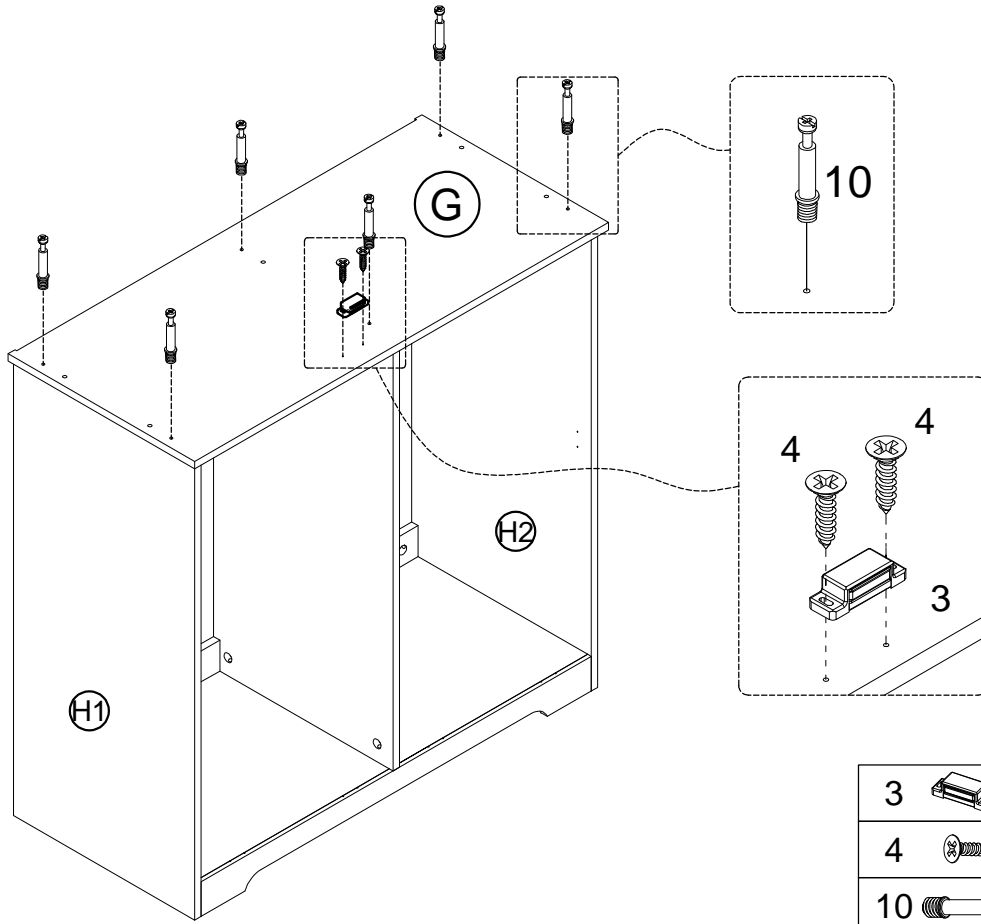
9		6PCS
---	---	------

STEP 10



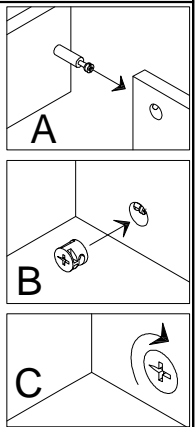
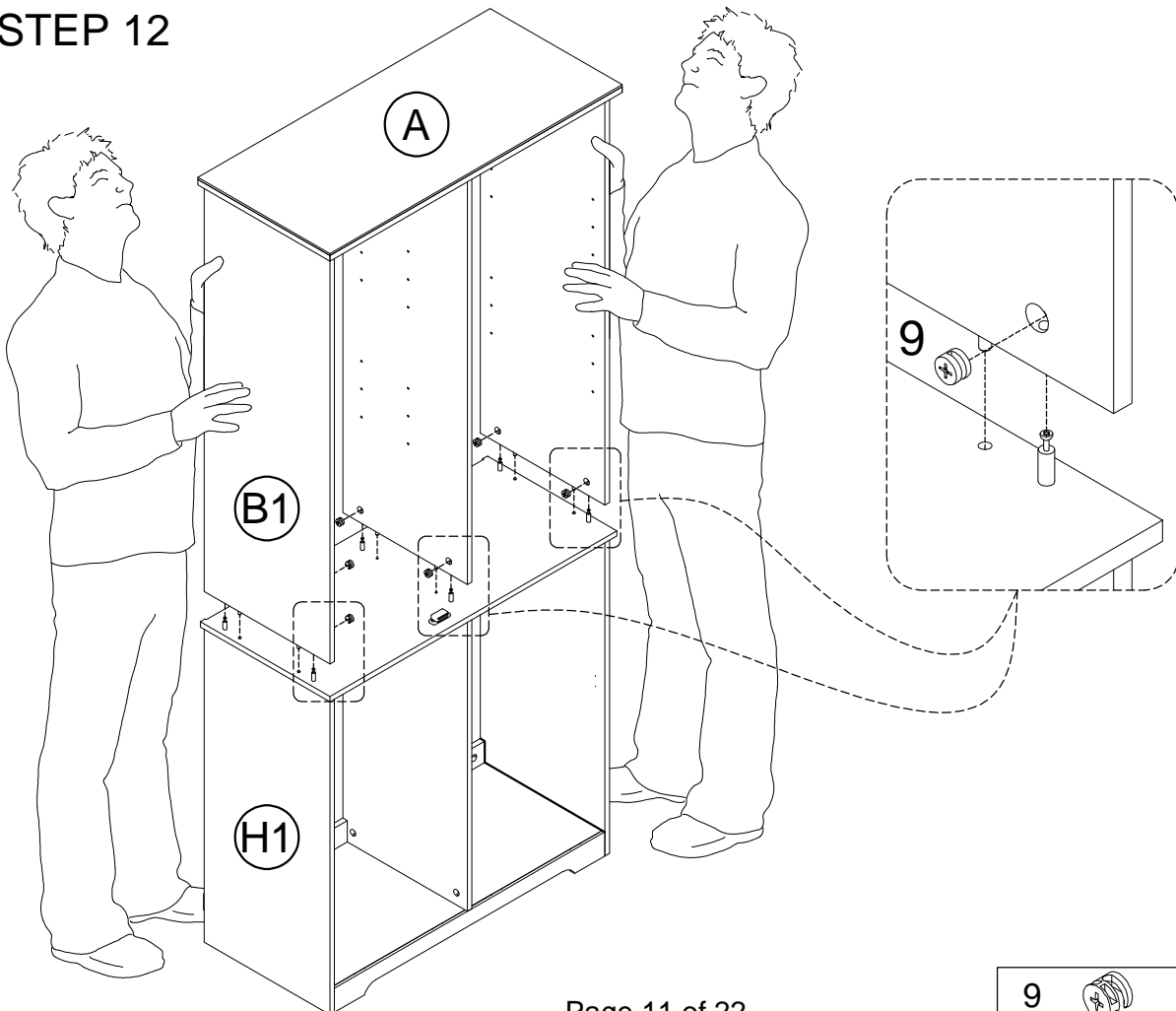
9		6PCS
---	---	------

STEP 11



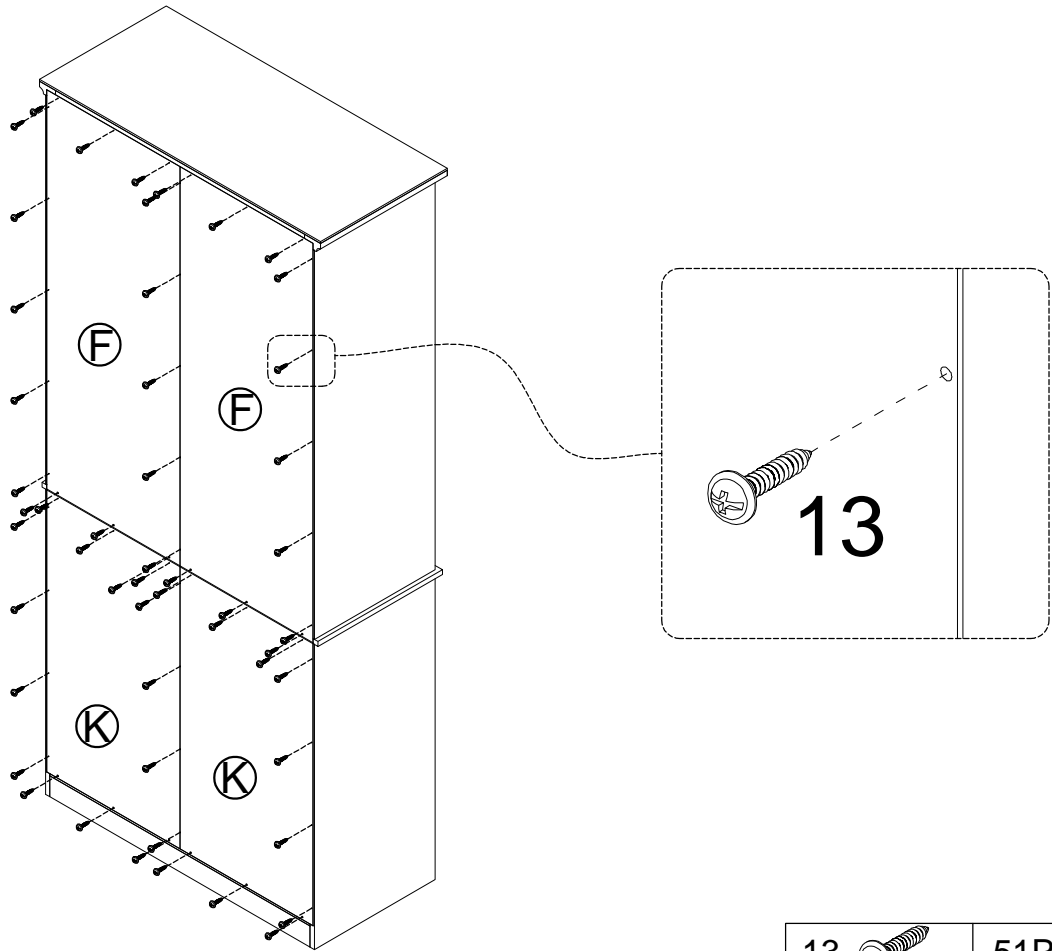
3		1PC
4		2PCS
10		6PCS

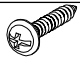
STEP 12



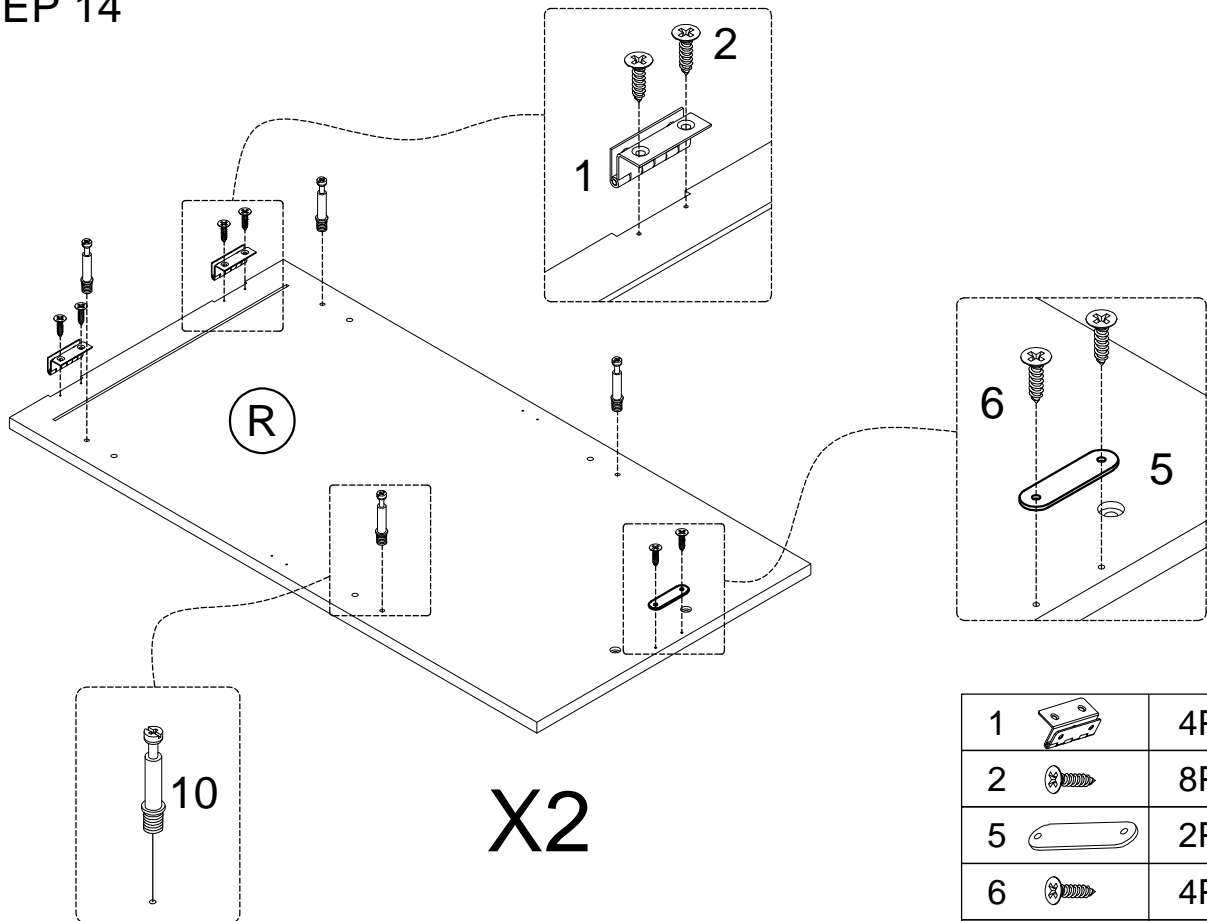
9		6PCS
---	--	------

STEP 13



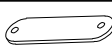

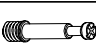


13		51PCS
----	---	-------

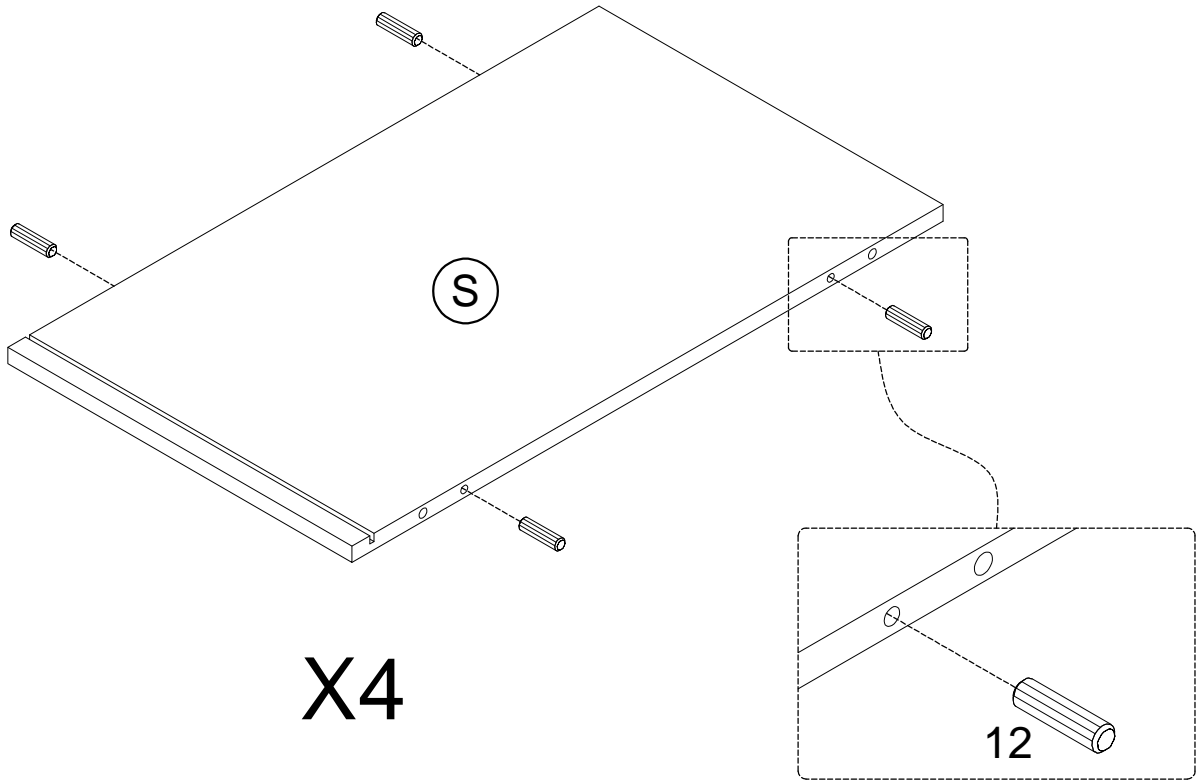
STEP 14

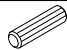


X2

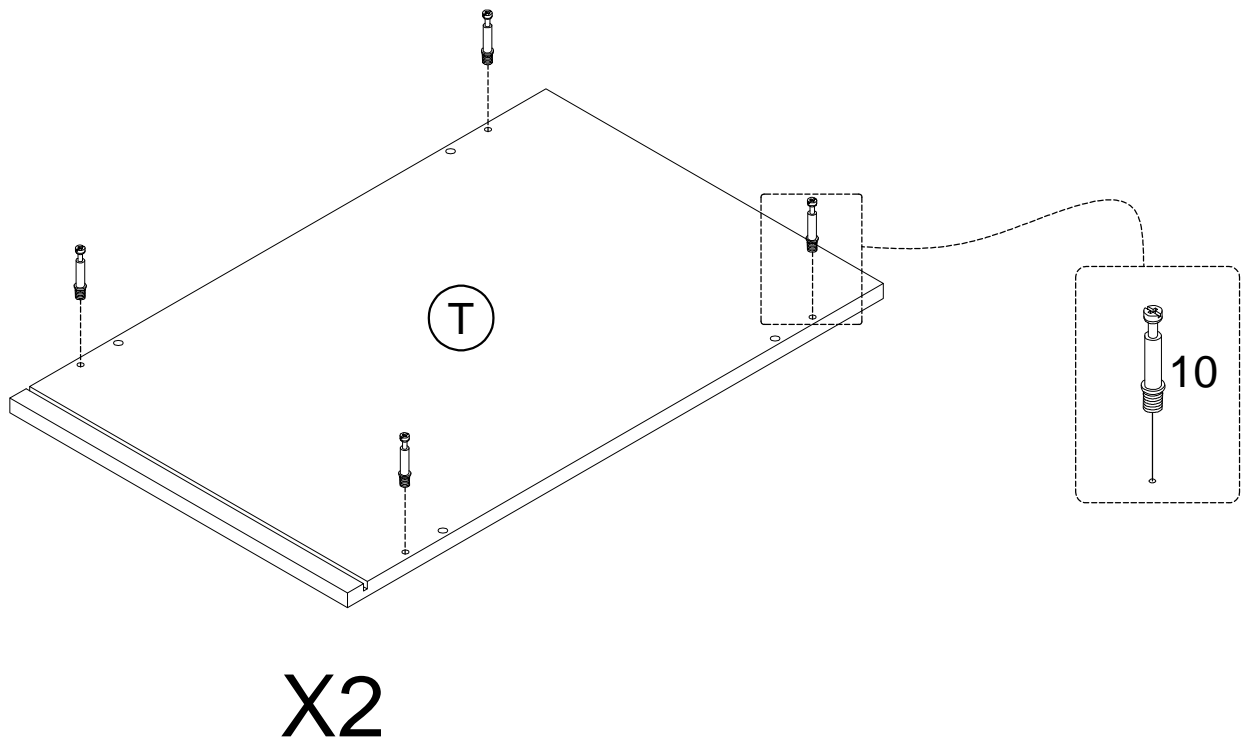
1		4PCS
2		8PCS
5		2PCS
6		4PCS
10		8PCS

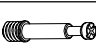
STEP 15



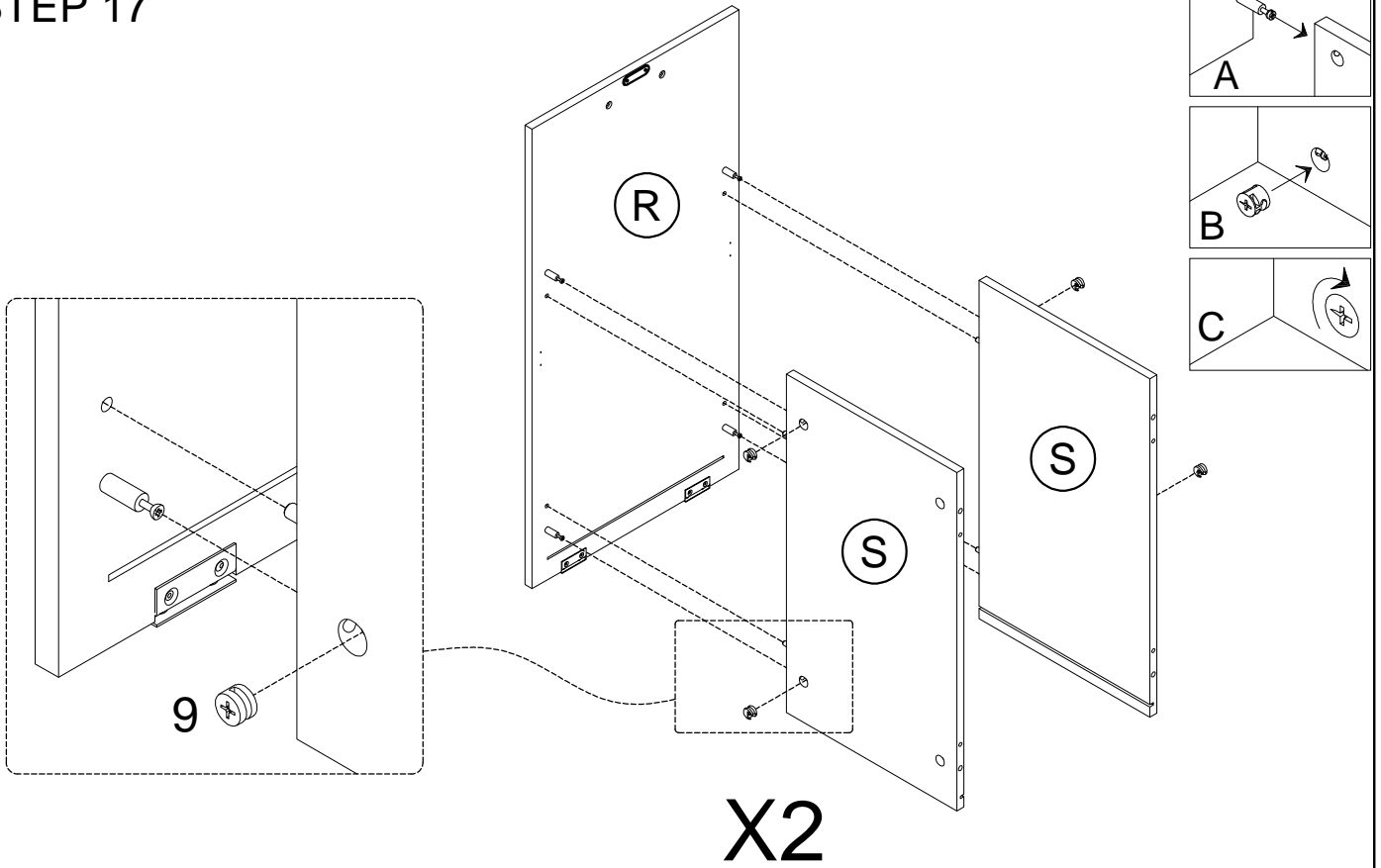
12		16PCS
----	---	-------


STEP 16



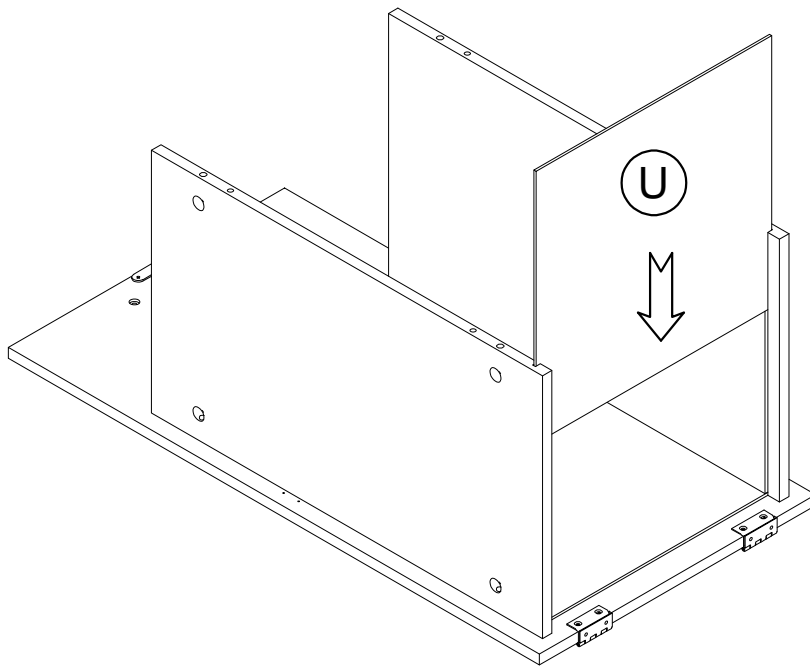
10		8PCS
----	---	------

STEP 17

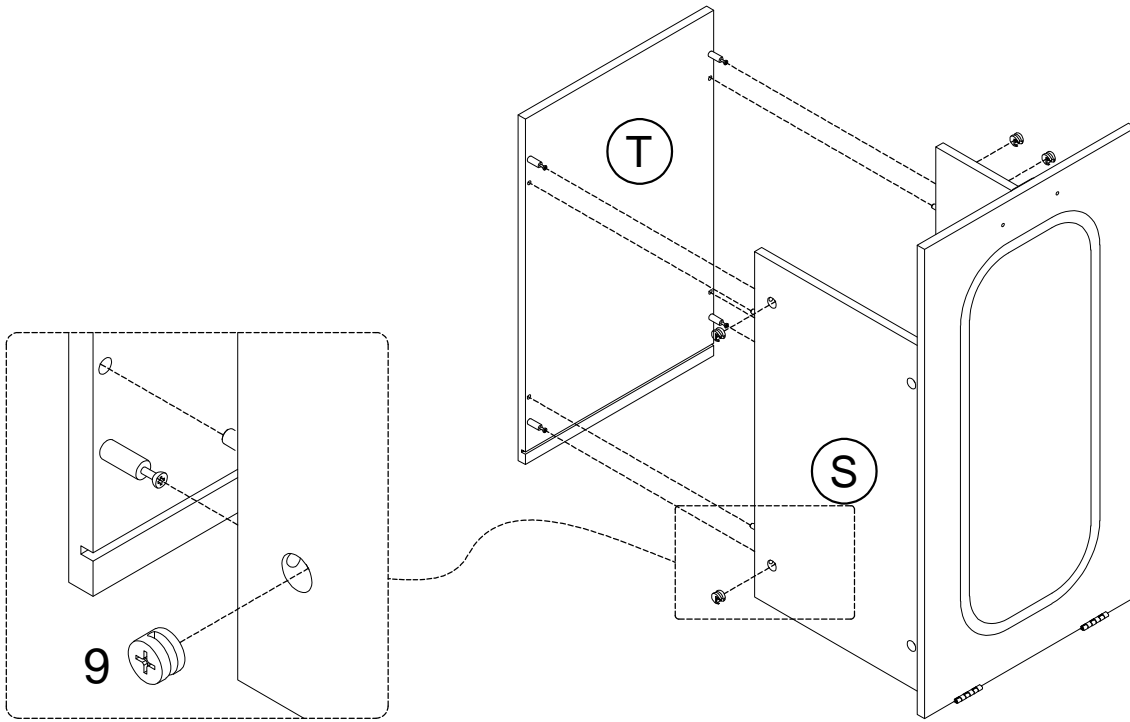


9		8PCS
---	---	------


STEP 18



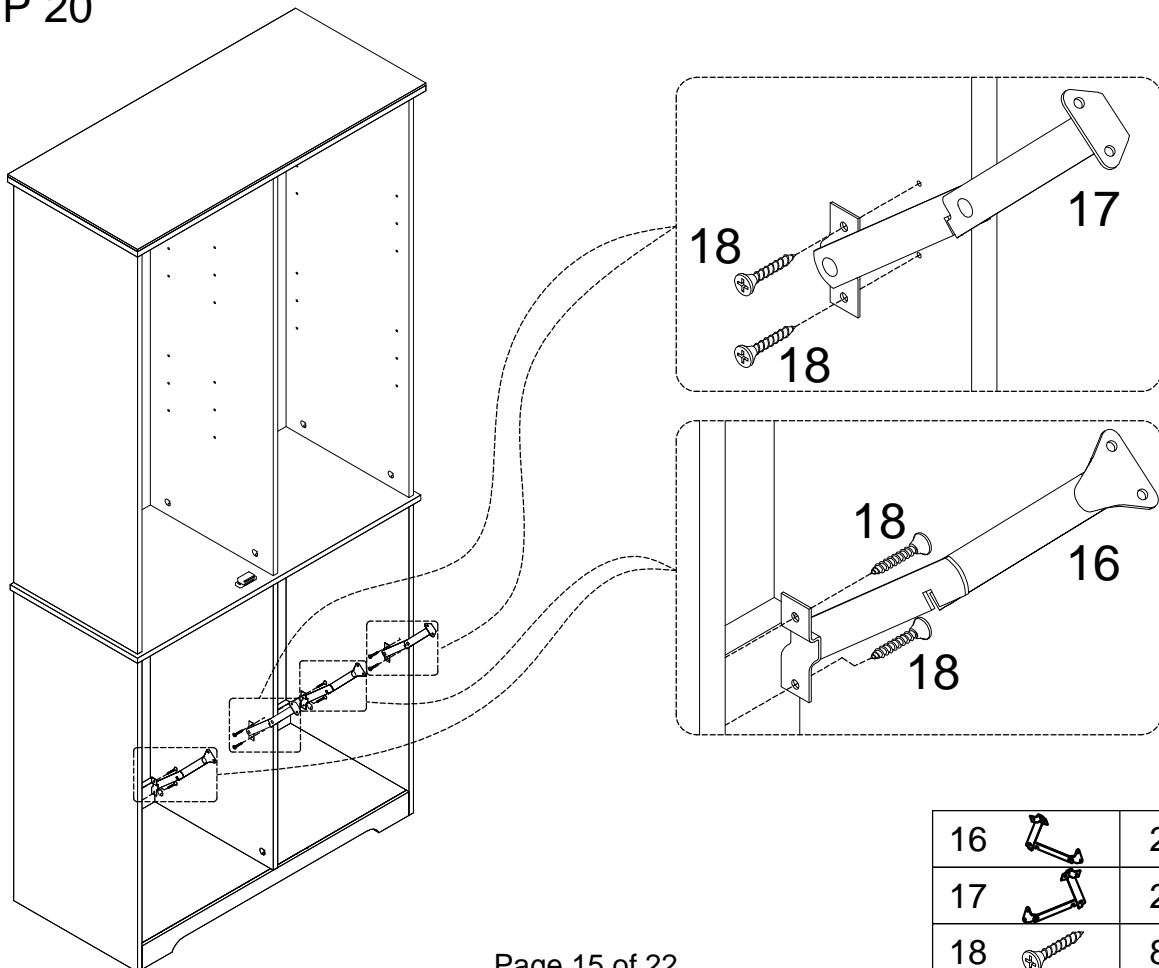
STEP 19



X2

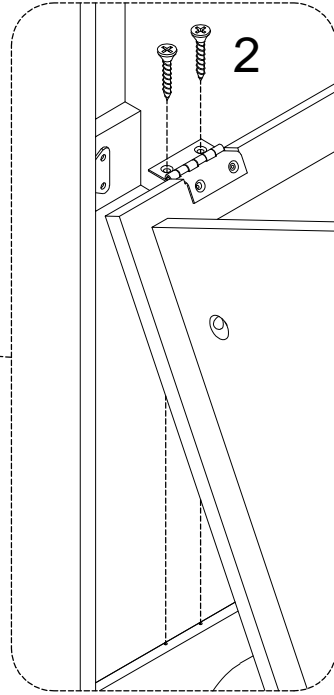
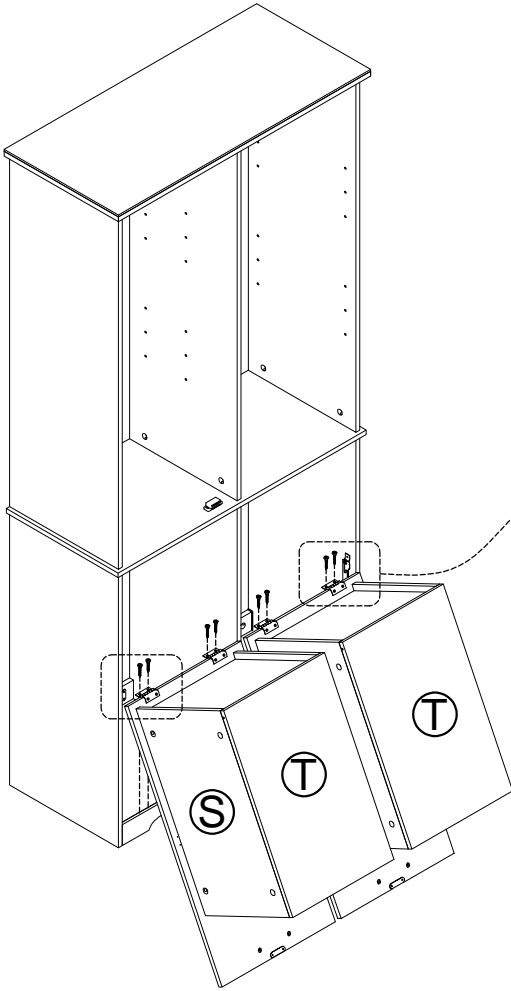
9		8PCS
---	---	------


STEP 20



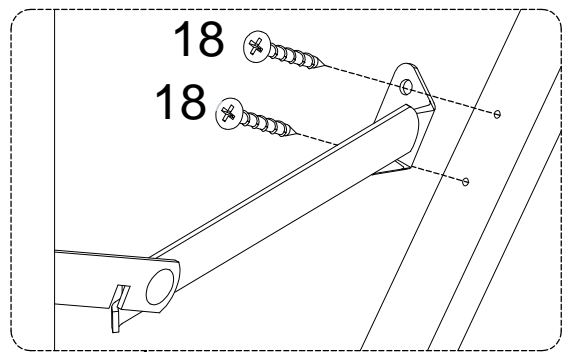
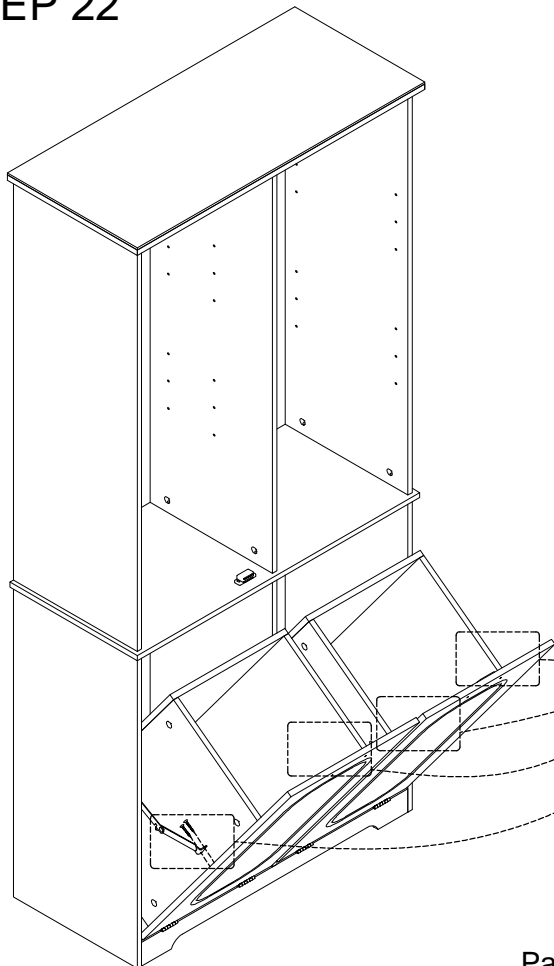
16		2PCS
17		2PCS
18		8PCS


STEP 21



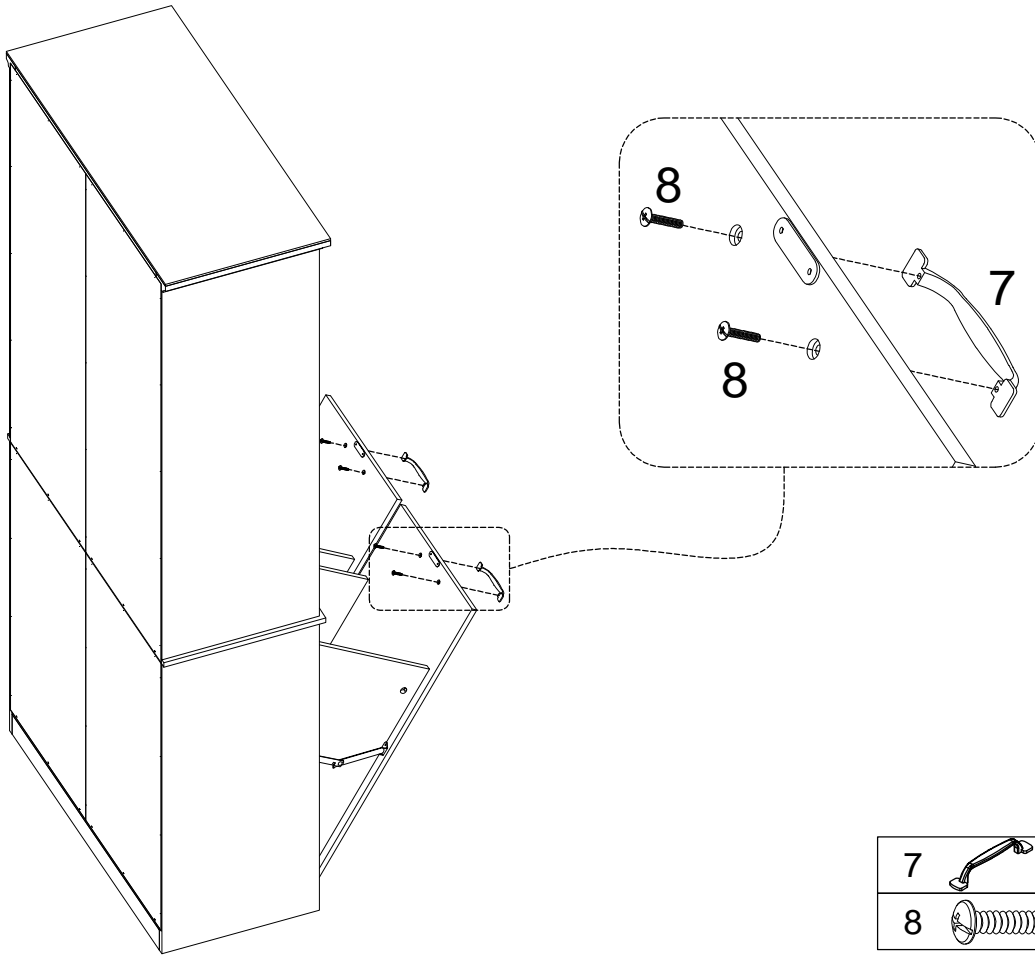
2		8PCS
---	---	------



STEP 22



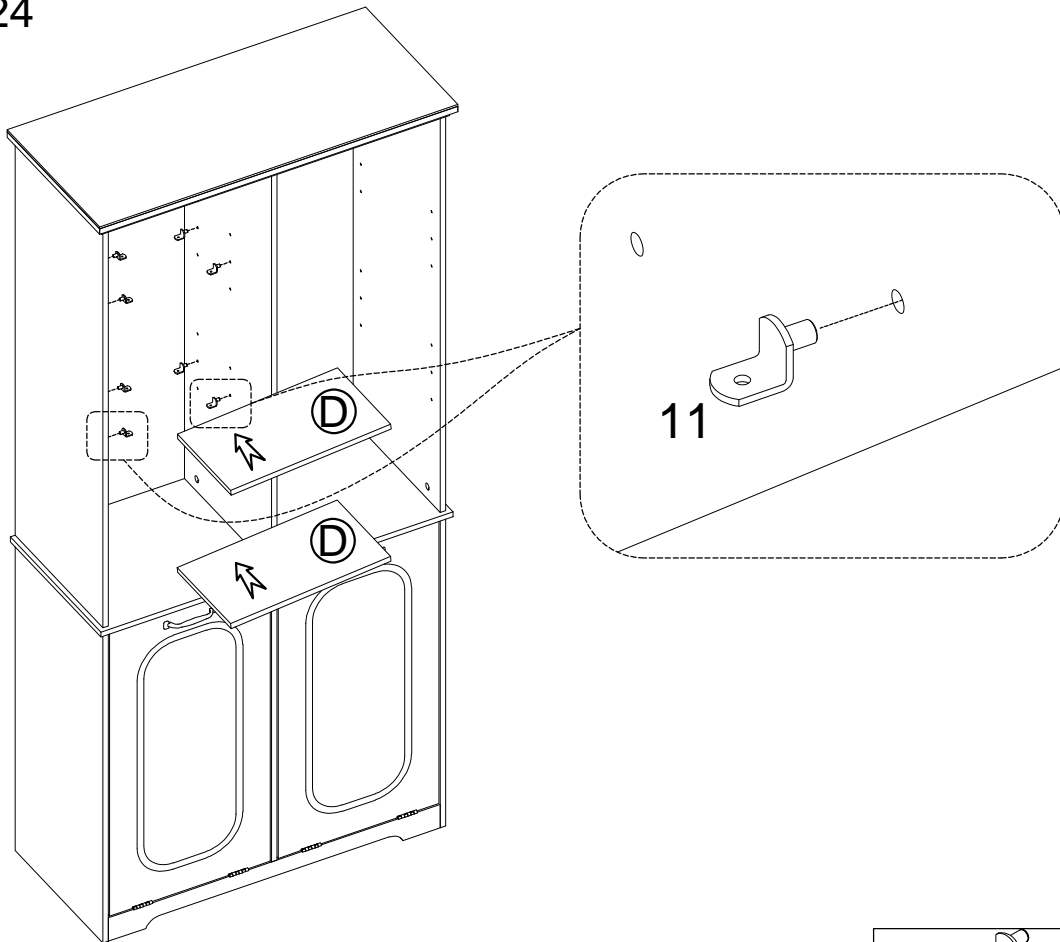
18		8PCS
----	---	------

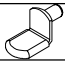
STEP 23



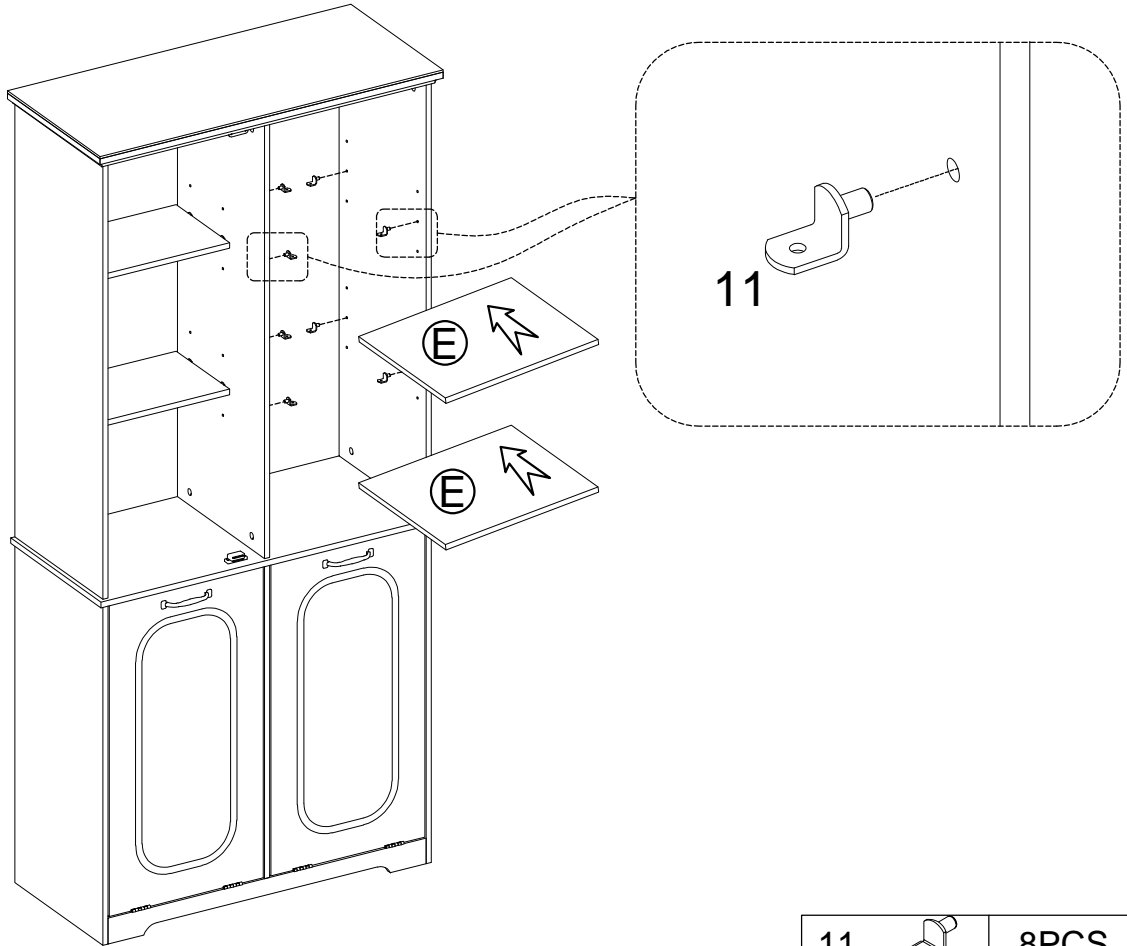
7		2PCS
8		4PCS

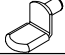
STEP 24



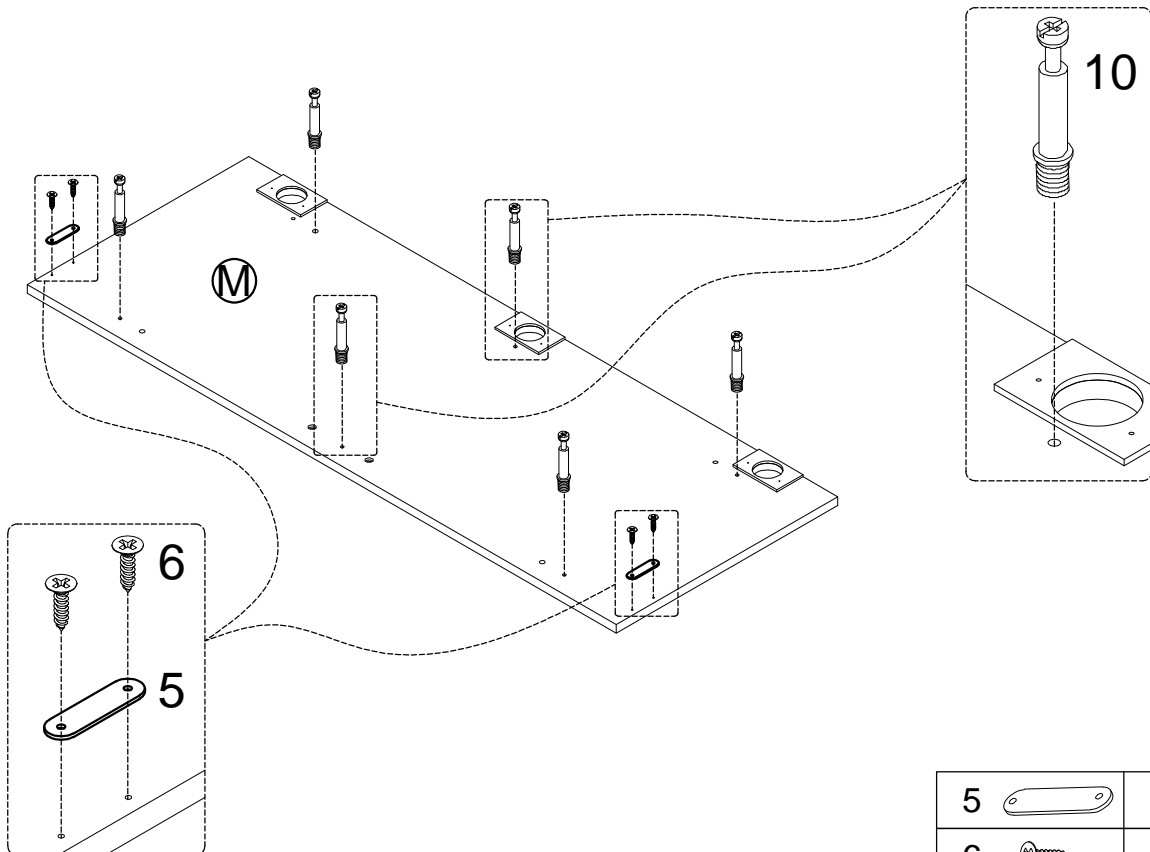
11		8PCS
----	---	------




STEP 25



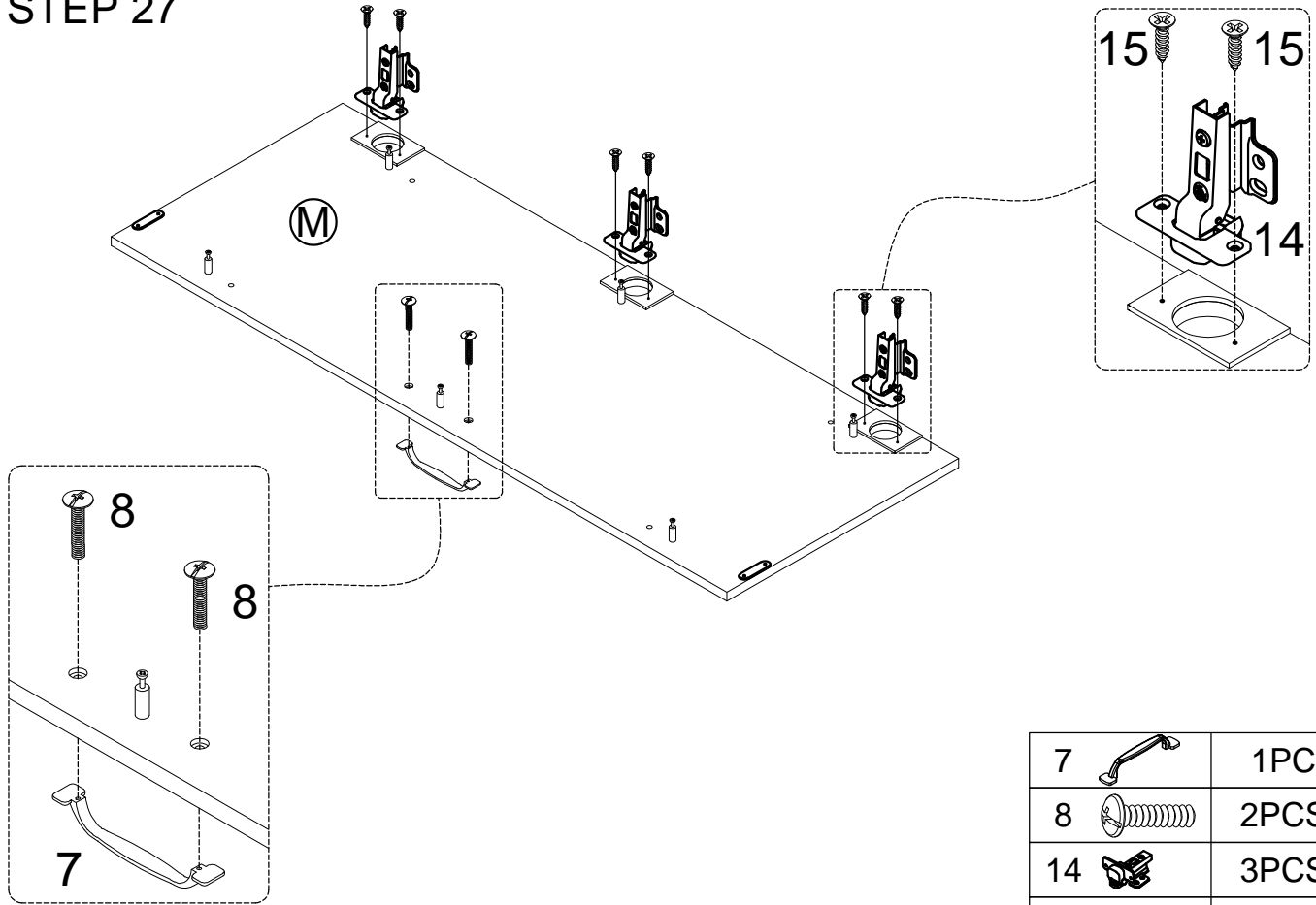
11		8PCS
----	---	------

STEP 26



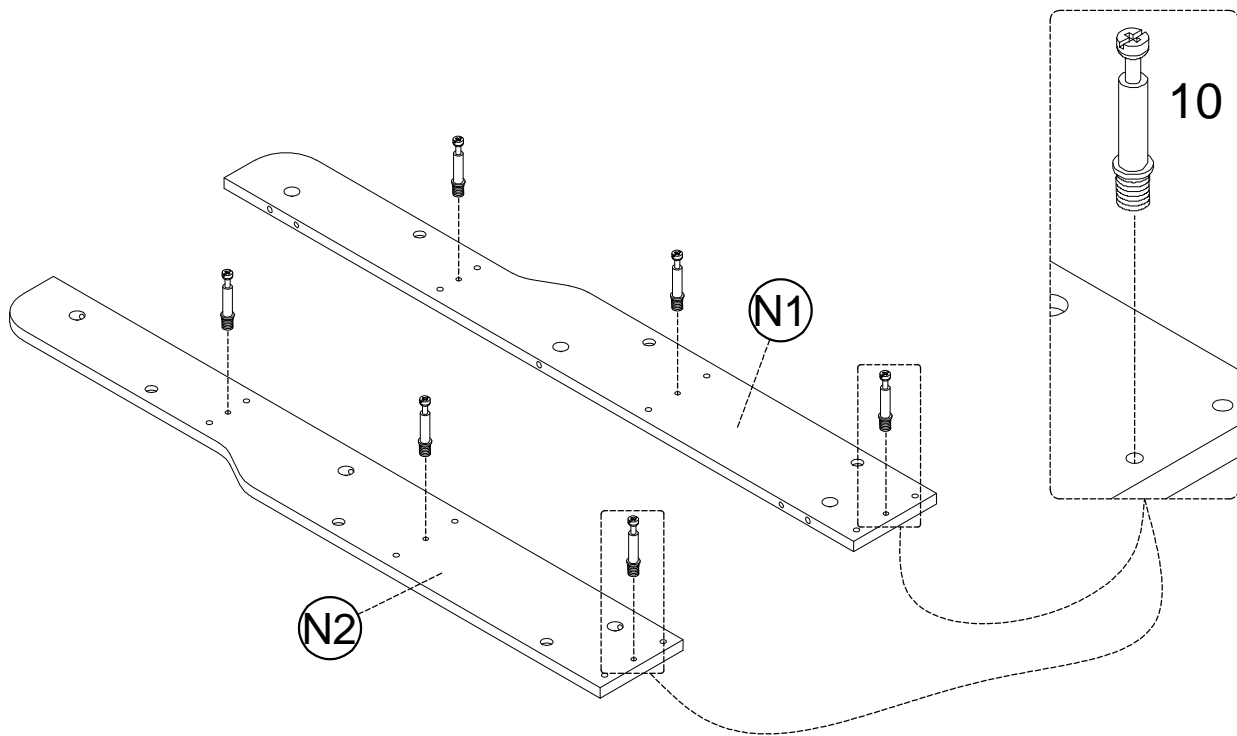
5		2PCS
6		4PCS
10		6PCS

STEP 27



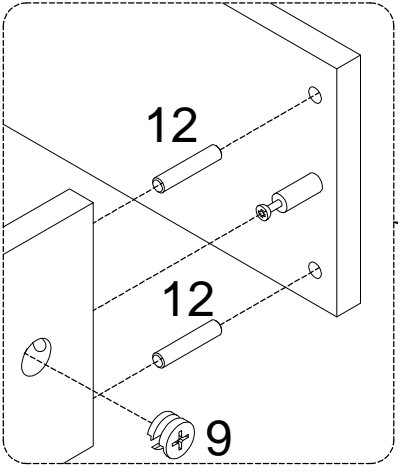
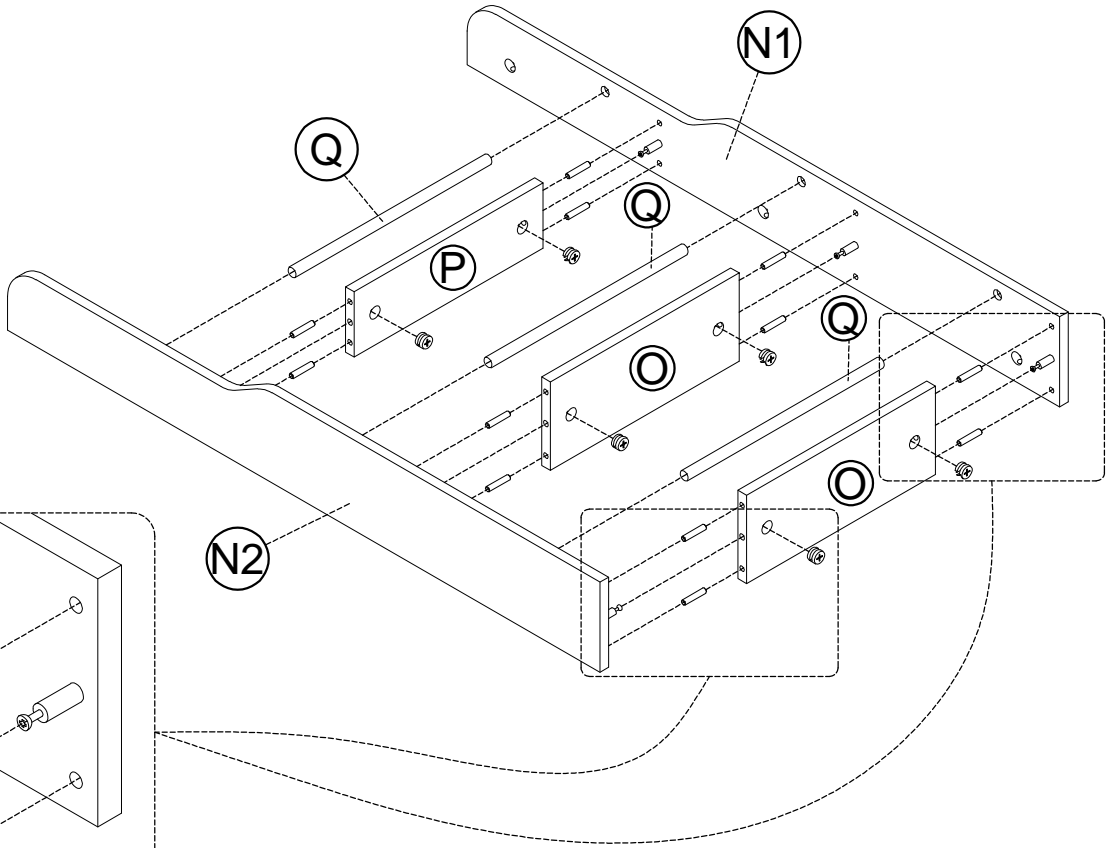
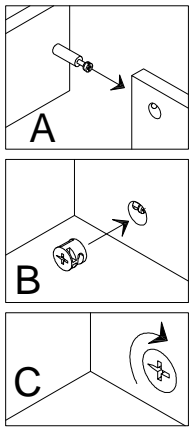
7		1PC
8		2PCS
14		3PCS
15		6PCS

STEP 28



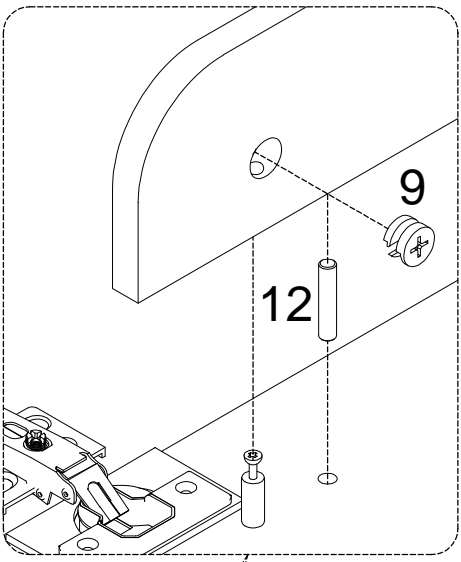
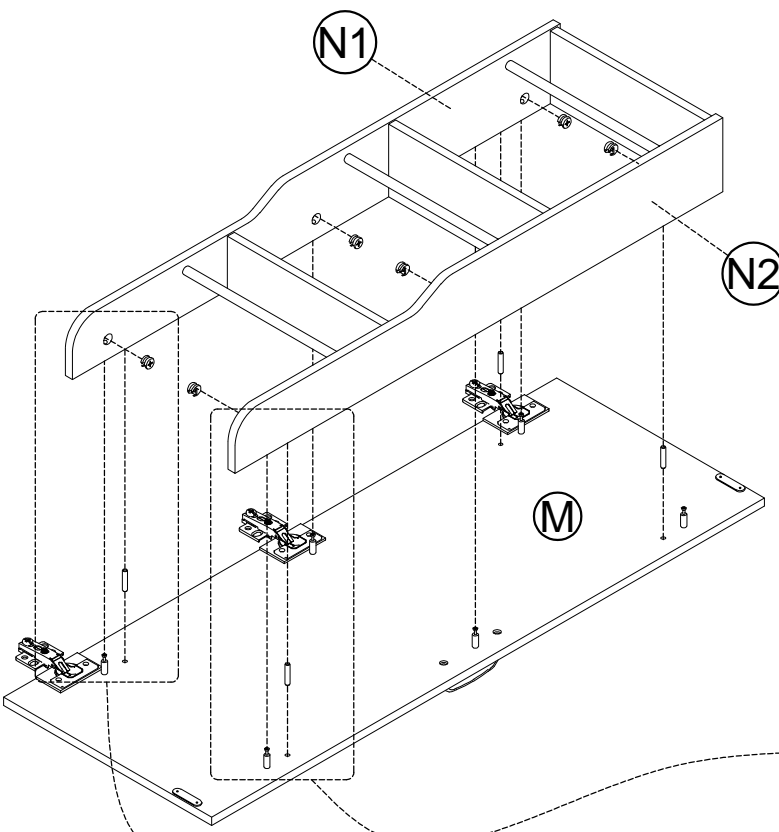
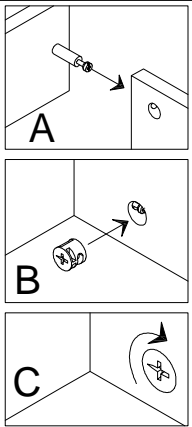
10		6PCS
----	--	------

STEP 29



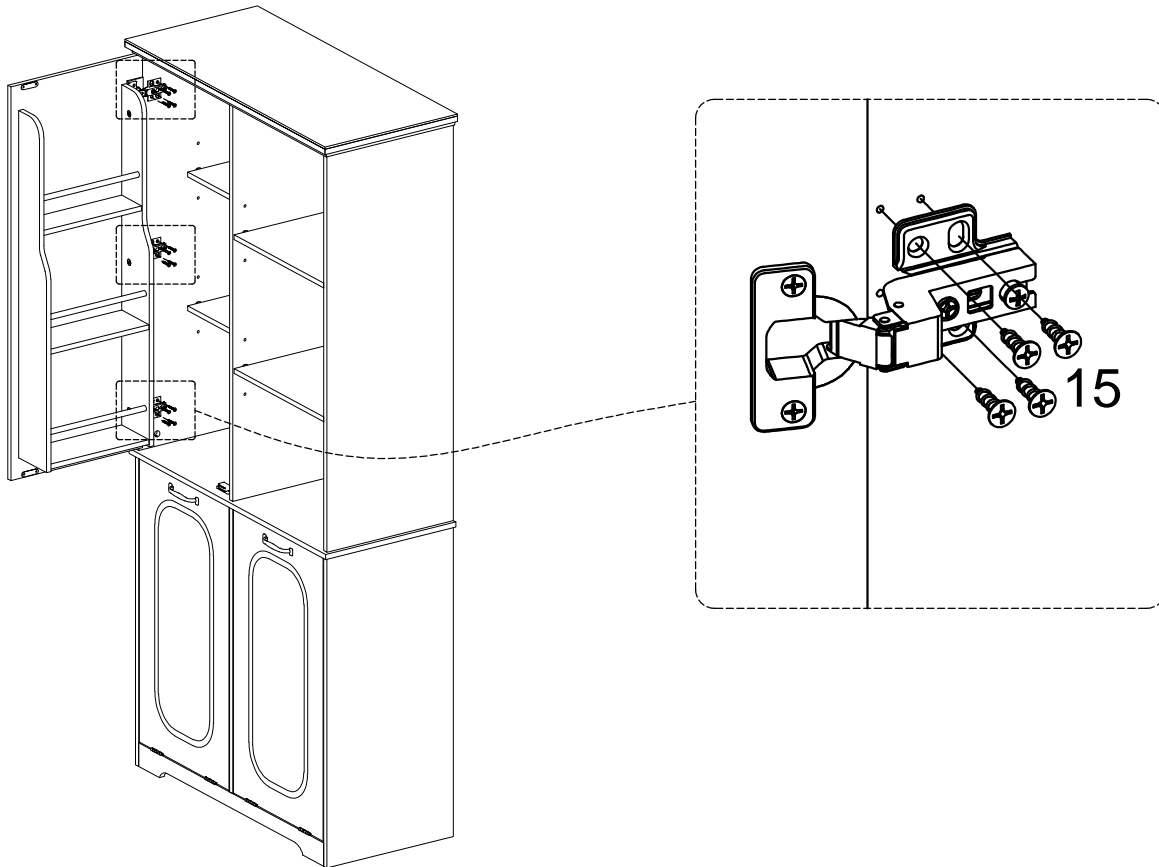
9		6PCS
12		12PCS

STEP 30



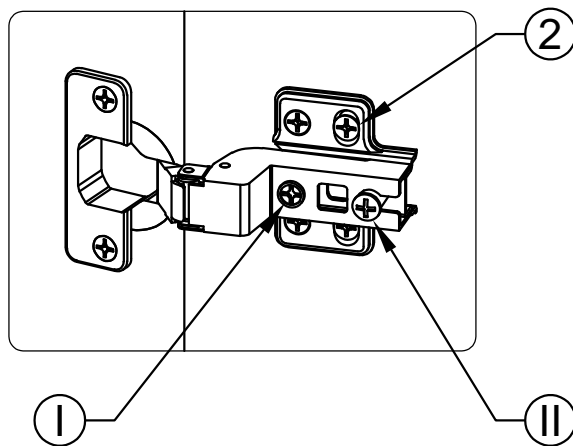
9		6PCS
12		4PCS

STEP 31



15		12PCS
----	---	-------

STEP 32



Tighten the Screw marked ② to fasten hinge. The door may need to be adjusted so that all the spaces between the door and the unit sides are equal.

To adjust, follow instructions:

1. Side adjustment 4 mm

To move the door towards the side panel, loosen screw ① and tighten screw ② .

To move the door away from the side panel, loosen screw ② and tighten screw ① .

2. Depth adjustment 4 mm

Loosen screw ② (just one turn), adjust door to desired position, re-tighten screw .






3. Height adjustment

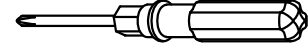
Loosen screw ②, adjust door to desired position, re-tighten screw .



WARNING

Serious or fatal crushing injuries can occur from furniture tip-over.
 If the furniture tip over restraint kit is not in the box, please contact our customer service department in order to obtain another kit before using the furniture.

A1		4	D1		2
B1	 M4 X 20mm	2			
C1	 M4 X 40mm	2	E1		2



NOTE: The screwdriver is not included in the hardware pack.

It can be attached with a wall plug or not, depending on the wall's hardness.

