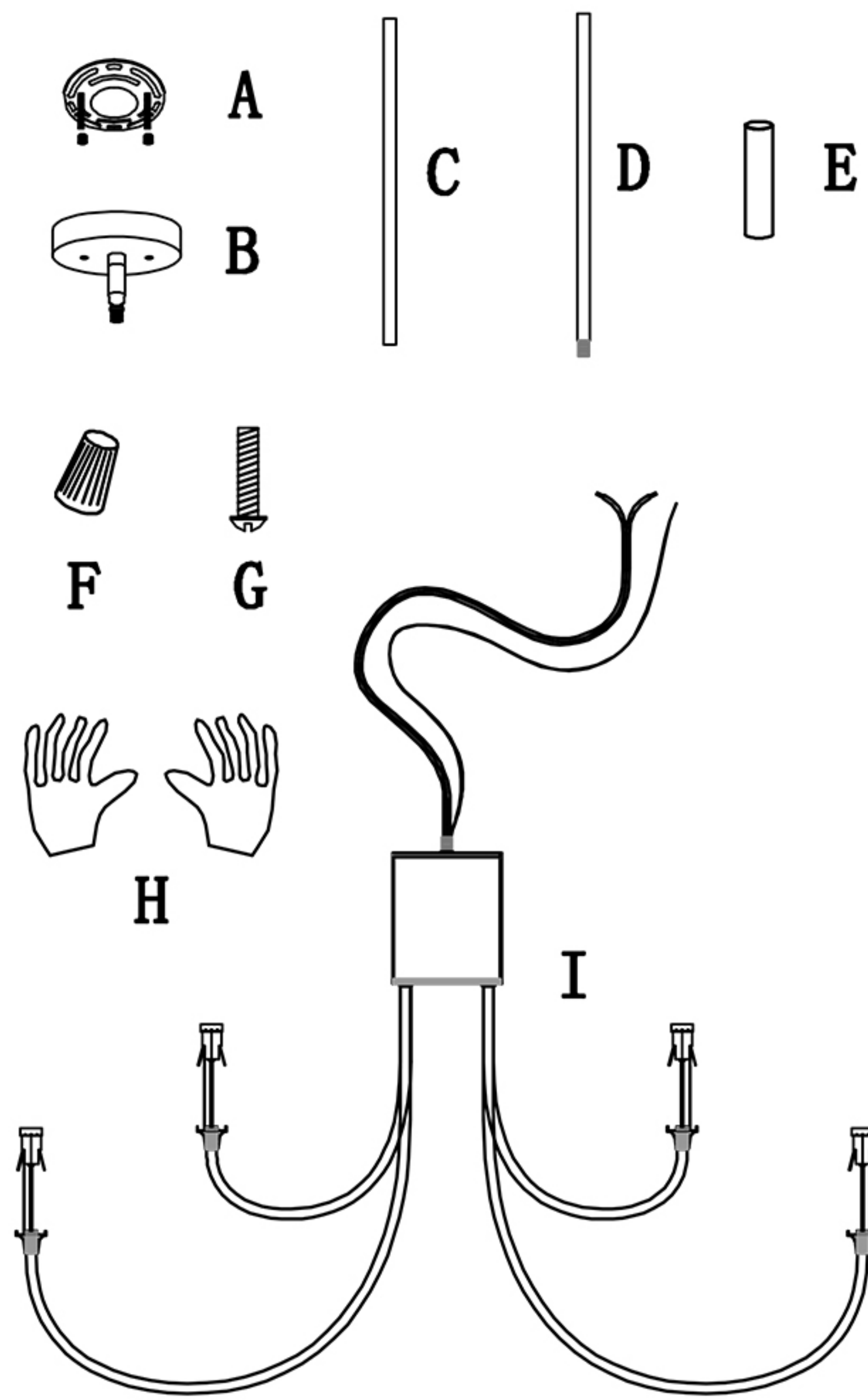


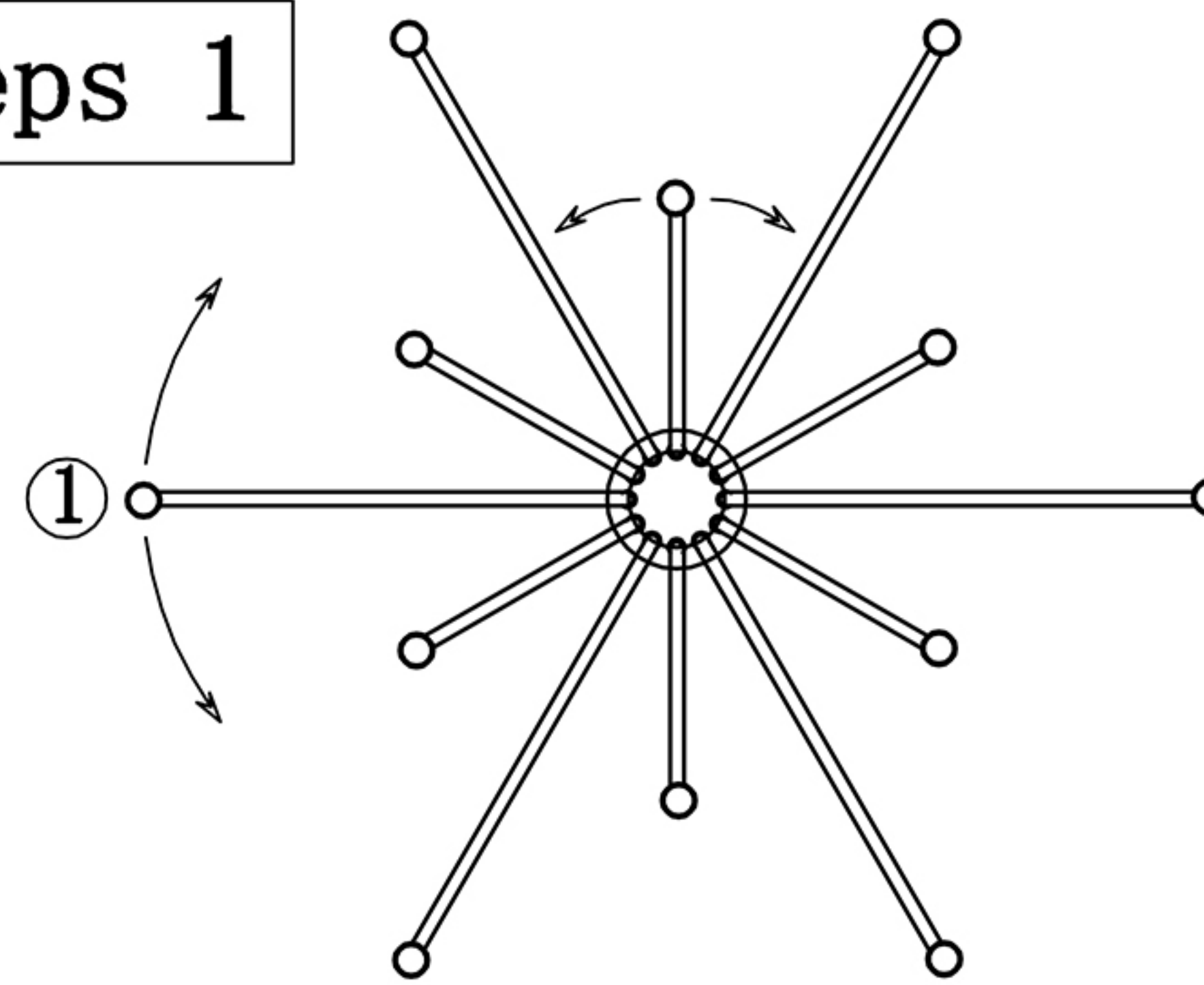
## Parts



- A: Mounting Plate+Nut\*1    B: Canopy\*1  
 C: Rod\*1    D: Rod\*5  
 E: Cannula\*12    F: Wiring Cap\*3  
 G: Screws\*2    H: Gloves\*1  
 I: Light Frame\*1

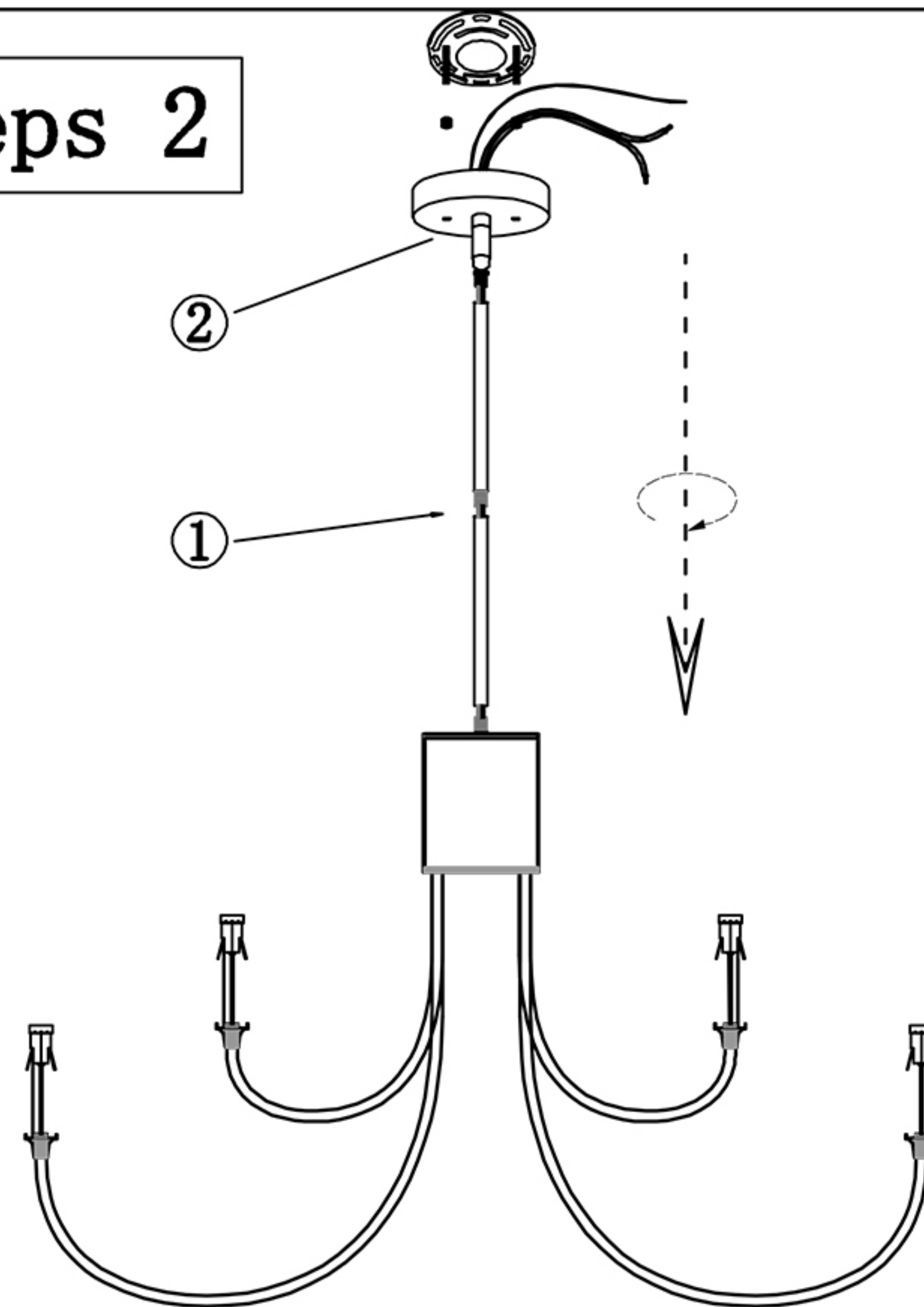
**Notice:** This light fixture should be installed in accordance with all applicable, local installation codes, and by a person familiar with the construction and operation of it, as well as the hazards involved. Inspect items and contents carefully. If any damage or defect is found, do not install it.

## Steps 1



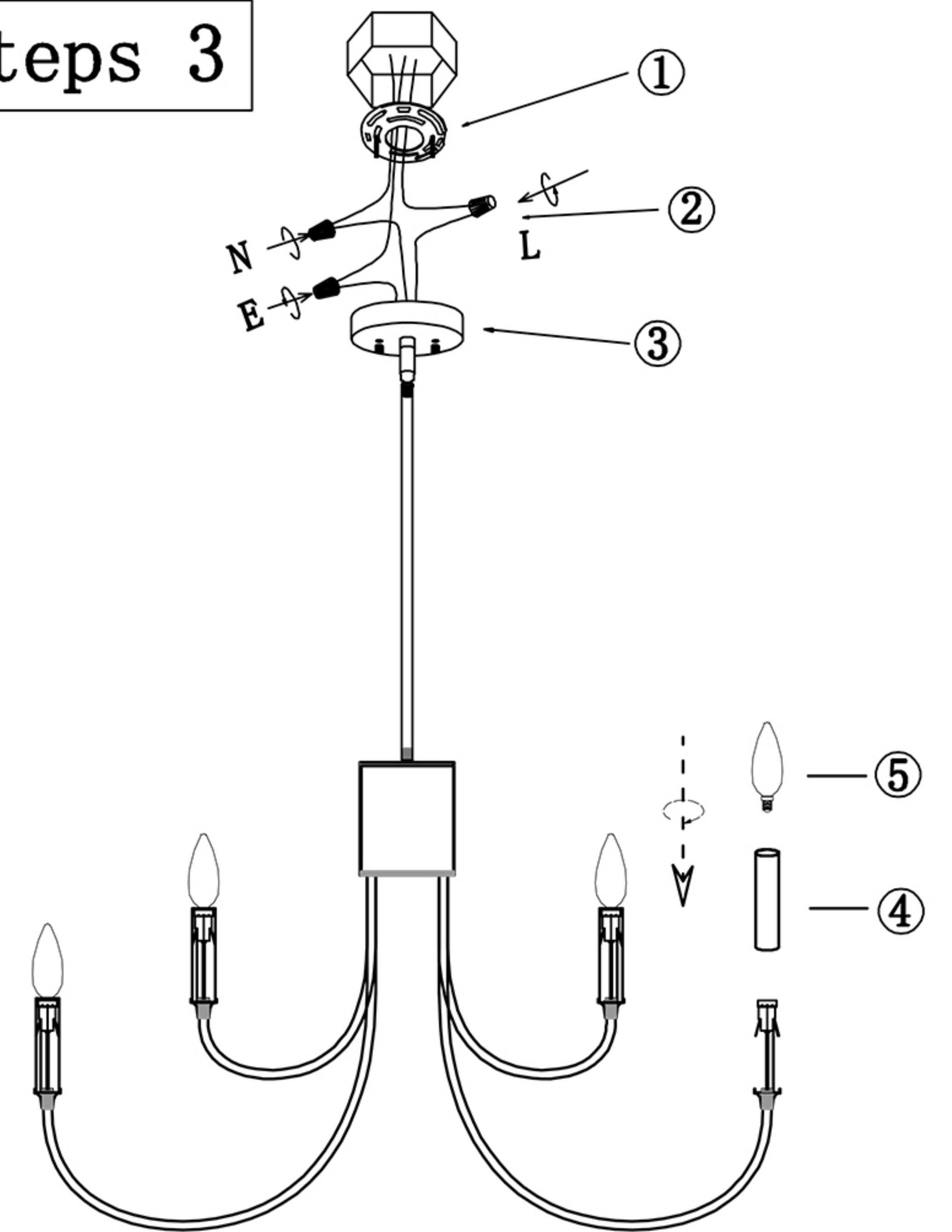
**1:** Adjust the position of the 12 light arms of the light frame (I) as shown in the figure.

## Steps 2



**1:** Pass the main line of the light frame (I) through the rods(CD) and screw the rods to the lamp body as shown in the figure.  
**2:** As shown in the figure, first remove the mounting plate (A) of the canopy (B) for use, and then install the canopy on the rod.

## Steps 3



**1:** Attach the mounting plate to the ceiling junction box with screws (G).  
**2:** Connect the power cord from the ceiling to the light body wire and install the wiring cap (F). (Connect according to the color of the wire black represents L, white represents N, copper wire represents E)  
**3:** Install the canopy (B) on the mounting plate (A) and tighten the nuts.  
**4:** Press the cannula(E) on the light holder.  
**5:** Install the light bulbs (excluding the light bulb).