

Adirondack Chair

Parts List:

- (1) Hardware pack
- (2) Leg
- (1) Front Brace
- (1) Back Brace
- (1) Seat Assembly
- (2) Arm Rest
- (1) Back Assembly

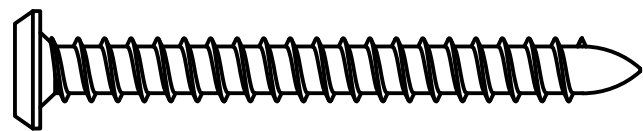
TOOLS REQUIRED

- Allen Wrench
(Included)
- Phillips Screw-Driver
(Not Included)

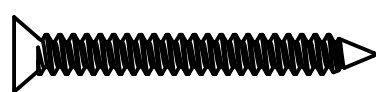
NOTE:

Do not use an impact driver to install hardware. Use battery operated drill or provided Allen wrench

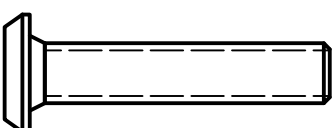
- (4) A - .273 x 2-1/2" Hex Screw



- (4) B - 1-1/2" Phillips Screw

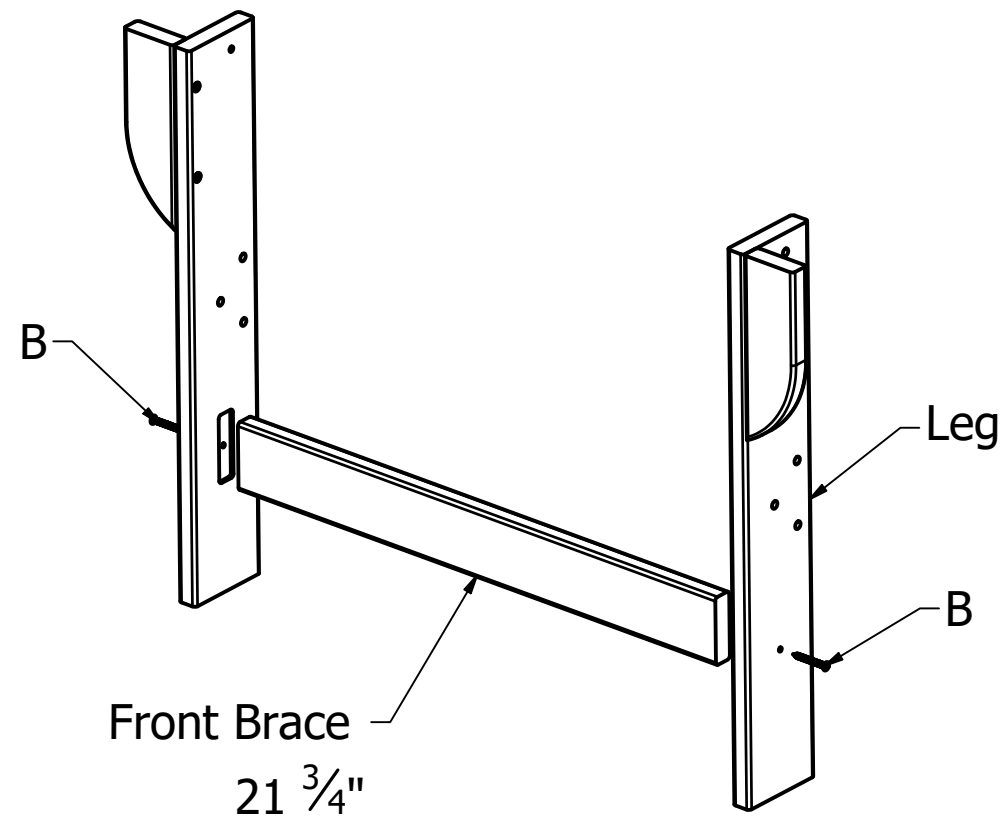


- (8) C - 1/4-20 x 1-1/4" Machine Screw



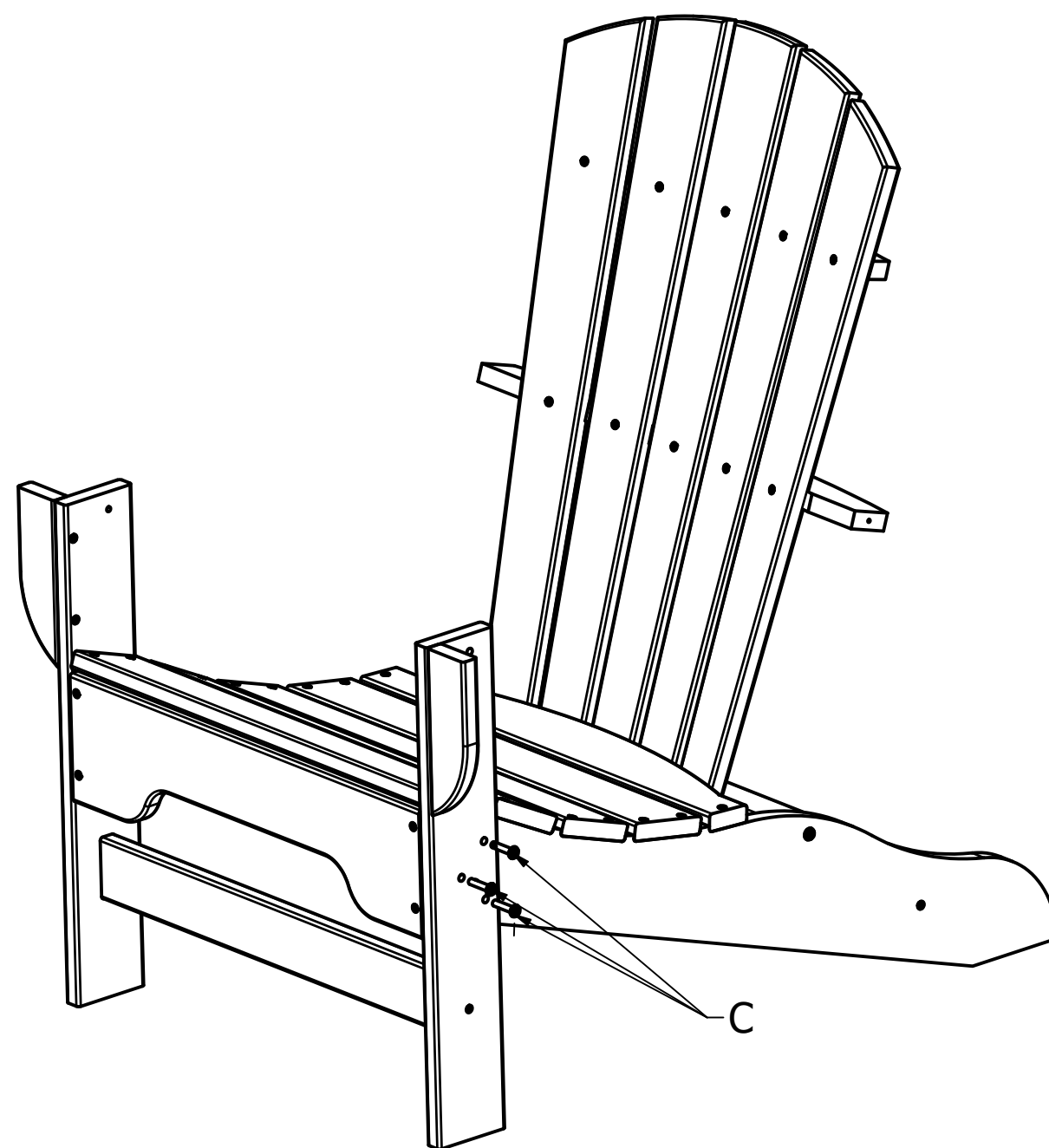
STEP 1:

Install front brace into leg slot and install using two (B) screws.



STEP 3:

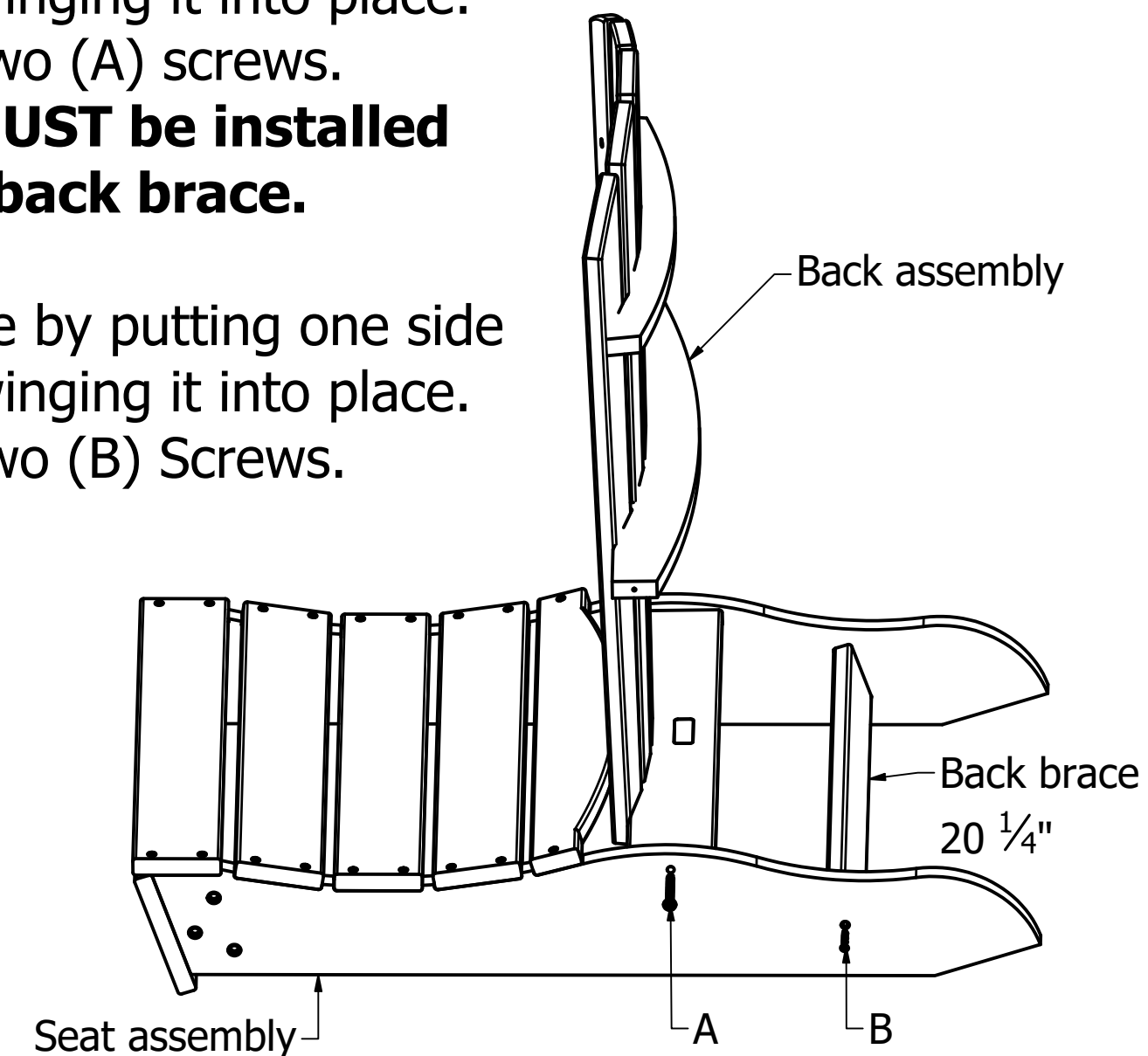
Install the leg assembly on to the seat frame using six (C) screws.



STEP 2:

Lay seat frame on the ground. Install the back frame by putting one side into the slot and swinging it into place. Install using two (A) screws. **Back assembly MUST be installed before the back brace.**

Install the back brace by putting one side into the slot and swinging it into place. Install using two (B) Screws.



STEP 4:

Install the arm rests on to the chair using two (A) screws and two (C) screws

