

INSTRUCTION MANUAL

ELECTRIC BBQ GRILL

MODEL: GR-103A

SKU: G68000009/G68000010



IMPORTANT SAFEGUARDS

Thank you for choosing our product! To ensure proper and safe function of the product, please read the manual carefully before use. Please always follow the instructions for safe usage.

When using electrical appliances, basic safety precautions should always be followed, including the following:

1. Read the instructions carefully before using the appliance, and save all the instructions.
2. Keep appliance and electrical cord out of the reach of children.
3. Always switch appliance off before unplugging from electrical power outlet.
4. Do not wind the cord around the appliance and do not bend it. Unroll the power cord completely.
5. Always use your appliance from a power outlet of the voltage (A.C. only) marked on the appliance.
6. Always disconnect the appliance from the supply if it is left unattended and before assembling, disassembling or cleaning.
7. **This product is intended for household use only, and is suitable for outdoor use.**
8. Allow appliance to cool before removing and cleaning.
9. Keep the electrical cord away from other sources of heat.
10. Do not immerse appliance or cord in water or other liquids.
11. Do not touch hot surfaces – use handles or knobs.
12. Never carry the appliance while still hot – use extreme caution when moving appliance containing hot oil or other hot liquids.
13. Never place cloth or other flammable objects near appliance while still hot.
14. Never use fuel, such as charcoal or lava rocks with this appliance.
15. Use only the heat resistant spatulas to remove food.
16. Use only with a properly-grounded GFCI (Ground-fault circuit-interrupter) household circuit.
17. Only use original accessory parts for this appliance. Never use accessories, which are not recommended by the producer, they could constitute a danger to the user and risk to damage the appliance.
18. Do not use appliance for anything other than its intended use. No responsibility can be taken for any possible damaged caused by incorrect use or improper handling.
19. Do not operate any appliance with a damaged cord or plug, after the appliance malfunctions or has been damaged in any manner. Return appliance to the nearest authorized service facility for examination, repair or adjustment.

20. Do not let cord hang over edge of the table or counter or touch hot surfaces.
21. Do not place on or near hot gas or electric burner or in a heated oven.
22. CAUTION! To ensure continued protection against risk of electric shock, connect to properly grounded power outlets only.
23. Keep the barbecue and electric controller dry at all times.
24. Never alter or remove the grounding plugs on the power cord or replacement information.
25. Keep electric plugs off of the ground and dry all the times.
26. In case of fire, turn the controller 'OFF', unplug the barbecue from the power source and allow the fire to burn out its own. Never use water try to extinguish a fire.
27. Before cleaning and storing, always unplug the appliance from the power supply and let it cool down.
28. Remove the heating element before cleaning.
29. Do not operate this barbecue while under the influence of drugs, alcohol or while fatigued.
30. Do not use barbecue lighter fluid, lava rocks, gasoline, kerosene, or alcohol with this barbecue.
31. Do not use in the presence of explosive or flammable gases, vapor or other substances.
32. Keep all combustible material at least 21"(53cm) away from the grill at all times. Do not use this barbecue or any other gas product under any overhang or near combustible structures.
33. Do not use this barbecue unless it is completely assembled and all parts are securely fastened and tightened.
34. Use only identical replacement parts.
35. Always open the barbecue lid carefully-Heat and steam trapped inside the lid can burn.
36. Set up this barbecue on a hard, smooth level surface. Never use on wood decks.
37. Incorrect operation and improper use can damage the appliance and cause injury to the user.
38. Never leave the appliance unsupervised when in use.
39. Never use this appliance near bathtub, shower, wash-hand basins or other containers with water.
40. Never use this appliance with the wet hands. If, unfortunately the appliance is wet, withdraw the cord of the socket-outlet immediately.
41. The appliance is not intended to be operated by means of an external timer or separate remote-control system instructions for use.
42. This appliance is not intended for use by persons (including children) with reduced physical, sensory or mental capabilities, or lack of experience and knowledge, unless they have been given supervision or instruction concerning use of the appliance by a person responsible for their safety.

43. In order to ensure your children's safety, please keep all packaging (plastic bags, boxes, polystyrene ect.) out of their reach.
44. CAUTION! Do not allow small children to play with the foil: THERE IS A DANGER OF SUFFOCATION!
45. In order to protect children or frail individuals from the hazards of electrical equipment. Children should be supervised to ensure that they do not play with the appliance. This device is not a toy. Do not allow small children or disabled person to play with it.
46. Never place it into the dishwasher.
47. CAUTION! Certain parts of the appliance can get hot when the appliance is operating. Do not touch them, as you may burn yourself..
48. To reduce the risk of electric shock, ensuring the appliance is properly installed.
49. The temperature control, thermostat prong side is protected with a detachable silicone jacket for outdoor moisture resistance. DO NOT remove this jacket during normal operation, and if found to be broken, replace before use.

SAVE THESE INSTRUCTIONS

SPECIAL CORD SET INSTRUCTIONS

NOTE: Using an extension cord is NOT recommended. If an extension cord is absolutely necessary;

1. Use a UL-approved 3-prong grounded extension cord that is rated for at least 15 A.
2. NEVER connect two or more extension cords in series.
3. Use the shortest extension cord possible.
4. Use a min. 16 AWG gauge extension cord of less than 50' in length.
5. Keep the power cord connection dry and off of the ground.
6. Avoid running the power or extension cord across walkways, drive ways, or anywhere that could pose a tripping hazard.

DESCRIPTION OF SYMBOLS

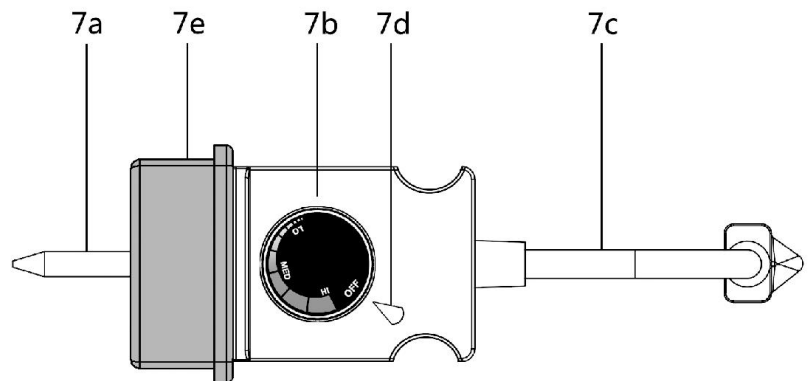
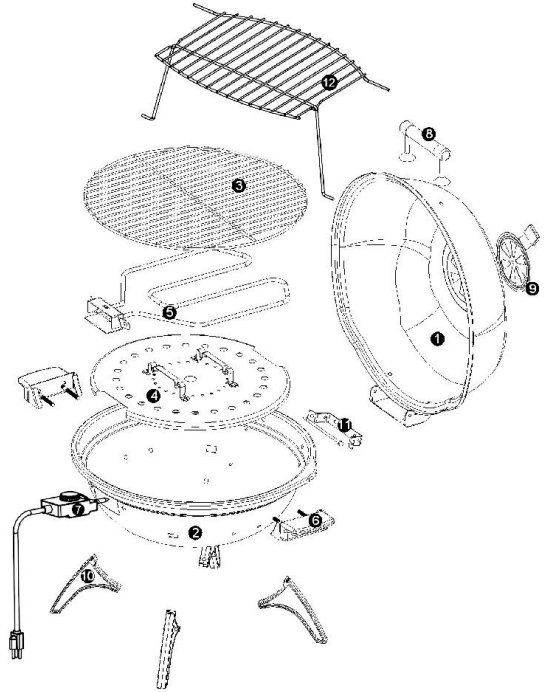
Before use, refer to the relevant paragraph in this user manual.



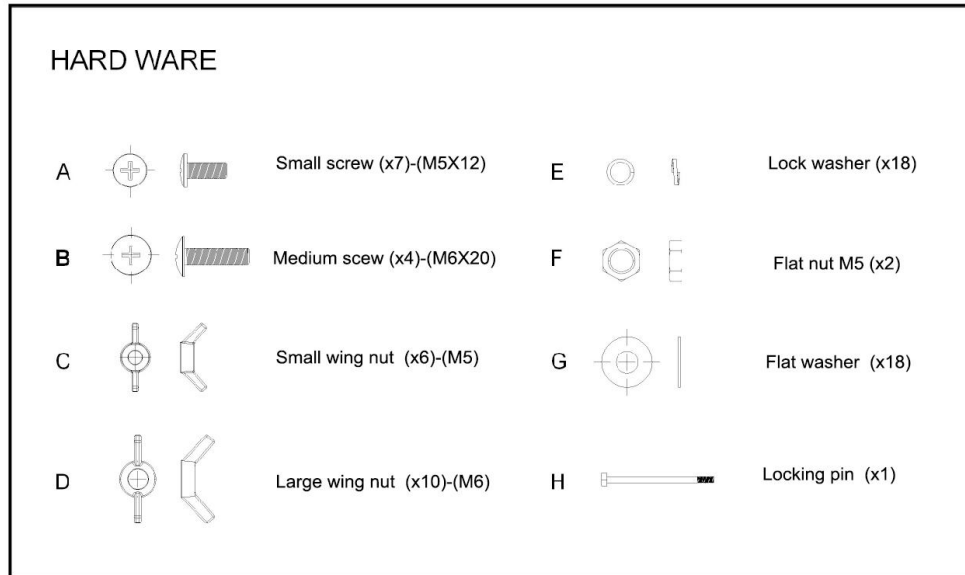
CAUTION: The device may be hot, do not touch it without taking precautions.

GETTING TO KNOW YOUR BBQ GRILL

1. Lid
2. Bowl
3. Cooking Grill
4. Heating Reflector Plate
5. Heating Element
6. Handle x2
7. Temperature Control
 - a. Thermostat Prong
 - b. Dial
 - c. Wall Plug
 - d. Off and Temperature Level Light Indicator
 - e. Silicone jacket for moisture resistance
8. Lid handle
9. Air Vents
10. Legs x4
11. Hinge
12. Warm Grill



ASSEMBLY INSTRUCTIONS



Note: Hand tools such as a cross-head screw driver, pliers, and/or a small spanner may be required for assembly. Wear protective gloves during assembly.

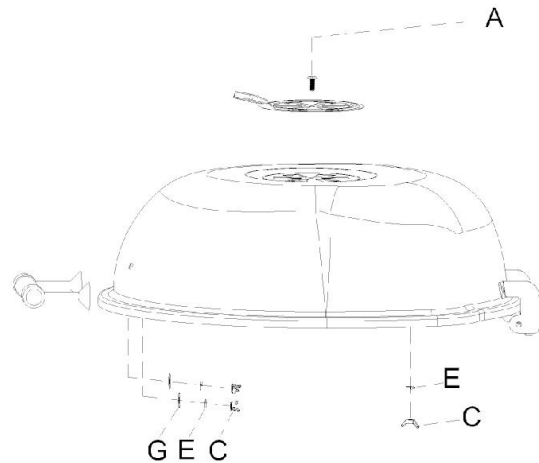
WARNING

1. Do not store or use gasoline or any other flammable vapors or liquids in the vicinity of this appliance.
2. When cooking with oil/grease, do not store extra cooking oils in the vicinity of this appliance.
3. A short power-supply cord (or detachable power-supply cord) should be used to reduce the risk resulting from becoming entangled in or tripping over a longer cord.
4. Longer detachable power-supply cords or extension cords are available and may be used if care is exercised in their use.
5. If a longer detachable power-supply cord or extension cord is used: The marked electrical rating of the cord set or extension cord should be at least as great as the electrical rating of the appliance; and The cord should be arranged so that it will not drape over the countertop or tabletop where it can be pulled on by children or tripped over unintentionally. The extension cord should be a grounding-type 3-wire cord.
6. Do not place heater element on the flammable material (such as wood table...), while heater element is still hot, or it is connected to the temperature control plug and energized.

Step 1

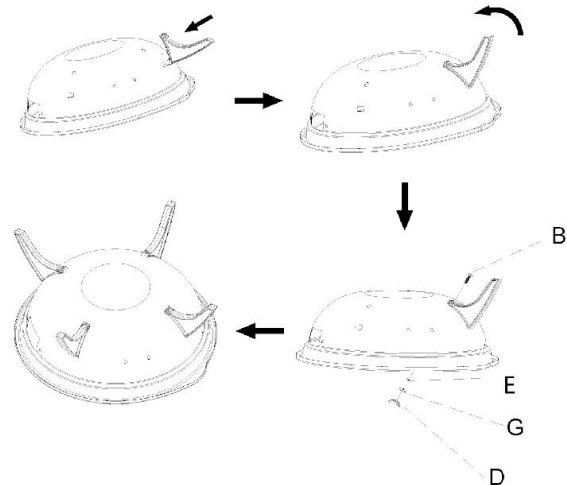
1. Attach air vent to lid using small screw (A), lock washer (E), flat washer (G) and small wing nut (C).

2. Attach the handle to the lid using a lock washer (E), small lock washer (G), and small wing nut at each handle opening.



Step 2

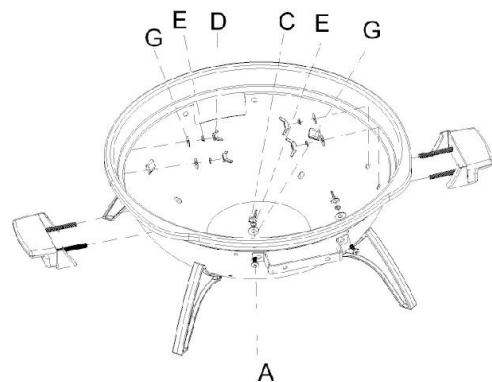
1. Attach four legs using the following accessories: medium screw (B), lock washer (E), flat washer (G), large wing nut (D).



Step 3

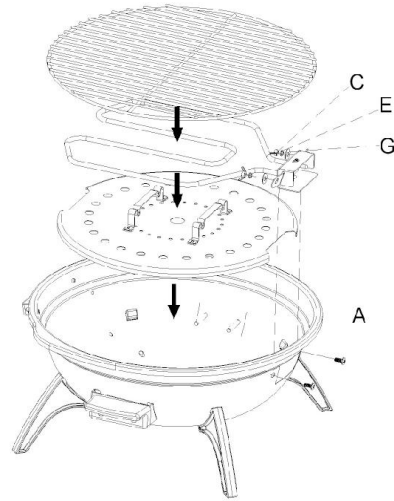
1. Attach two handles to the bowl using the following accessories: flat washer (G), lock washer (E) and the large wing nut (D).

2. To attach the hinge use the small screw (A), small wing nut (C), lock washer (E) and the flat washer (G).



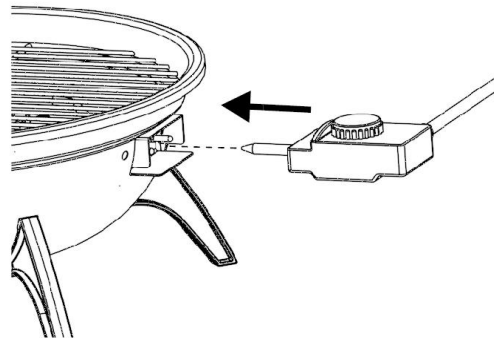
Step 4

1. Insert heat reflector plate into the bottom of the bowl. Align the cutouts on the side of the heat reflector plate with the handle indentations in the bowl.
2. Attach the heating element to the bottom bowl using small screws (A), lock washer (E), flat washer (G) and small wing nuts (C).
3. Insert cooking grill and warm grill into the bottom bowl.



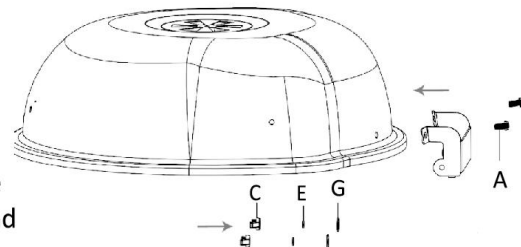
Step 5

1. Insert the temperature controller fully into the heating element.



Step 6

Locate the lid and the upper hinge bracket. Set aside small screws (A), flat washers (G), lock washers (E) and small wing nuts (C). Place the upper hinge bracket on the lid as shown below, and align the holes. Through each hole, insert a small screw from the outside of the upper hinge bracket through the lid. From inside the lid, place a flat washer, then lock washer on each screw and affix using the small wing nuts.

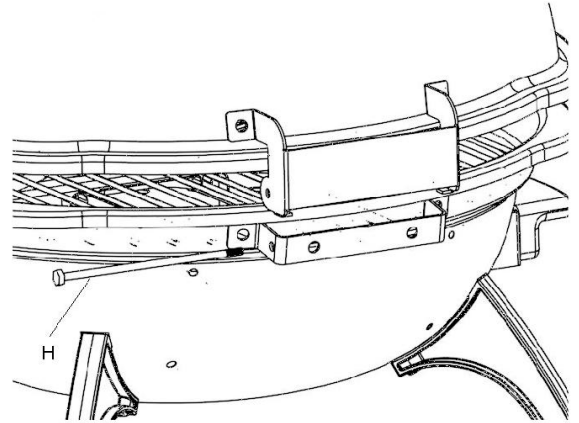


Step 7

1. Place the lower hinge bracket on the bowl, and align the holes. Through each hole, insert a small screw (A) from the outside of bowl. From inside the bowl, place a flat washer (G), then lock washer (E) on each screw and affix using the flat nuts (F).

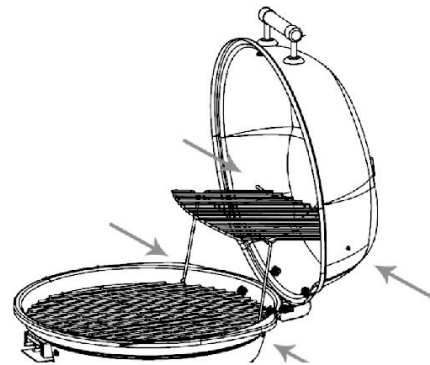
2. Insert the top hinge (lid) into the bottom hinge (bowl).

3. Secure the hinges by inserting the locking pin (H) through the aligned holes.



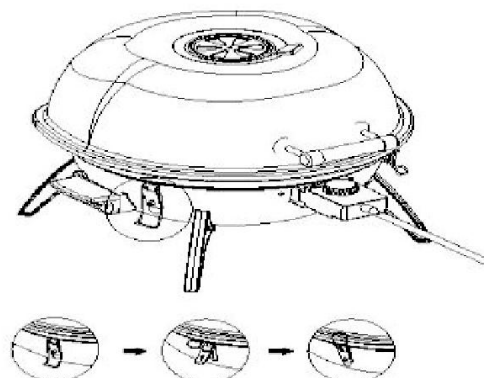
Step 8

Locate the warming rack and unfold the legs. Insert the warming rack by placing the four prongs into the side holes of the lid and bowl, as shown here



Step 9

1. To lock the lid, lift up on the lock handle, place the lock bracket onto the ridge of the lid, and push the lock handle down to lock in place. To unlock, lift up on the lock handle, remove the bracket from the ridge on the lid, and push the lock handle down.



Using the Temperature Control

Powering Up the Barbecue

1. Make sure the OFF symbol on the Temperature Control Dial (part #7b) is fully turned to the light Indicator location. (Fig. 1). The light should not be illuminated.

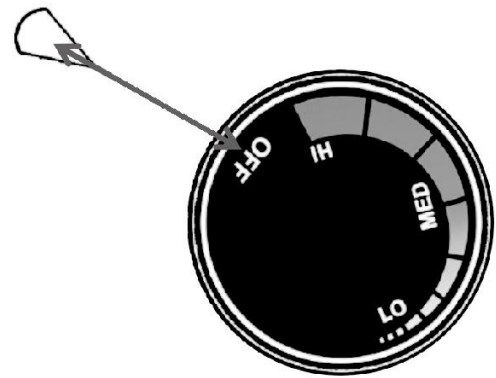


Fig. 1

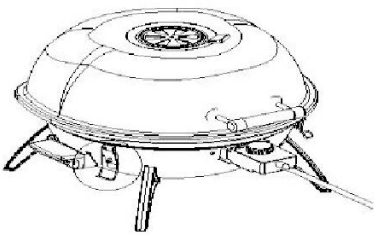


Fig. 2

2. Insert the Temperature Control Thermostat Prong (part #7a) with the Temperature Control Dial facing up, into the Opening for the Temperature Control (part #2a) at the front of the unit just below the rim of the Bowl. (Fig. 2). Push in all the way to be sure it is making full contact.

Hint: The tip of the Temperature Control Thermostat Prong should be above the nearby punch hole on the Heat Reflector Plate when it is fully inserted. (Fig. 3).

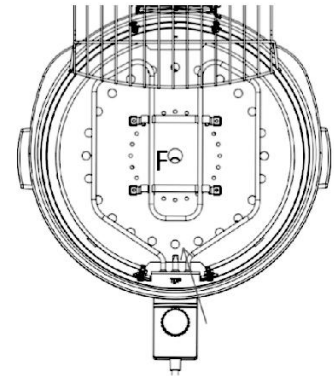


Fig. 3

3. Plug the Temperature Control Wall Plug (part #7c) into a dry ground-fault circuit-interrupter (GFCI) power outlet.

WARNING: Using an extension cord is NOT recommended. If an extension cord is absolutely necessary, carefully follow the instructions in the Important Safeguards.

4. Adjust the setting on the Temperature Control Dial to desired temperature level. (Fig. 1). Settings on the Temperature Control are indicated by temperature marks on the circular dial, including the 'OFF' position marking. The light indicator will illuminate while the unit is heating, and will switch on and off during the cooking cycle. The unit is usually packed with the Temperature Dial set to the "OFF" position.

Turning Off the Barbecue

1. Turn the Temperature Control Dial to the 'OFF' position.
2. Unplug the power cord from the wall outlet.
3. Once the Barbecue has cooled down, unplug the Temperature Control from the Barbecue.

General Operating Instructions

Before using the Electric Barbecue Grill for the first time...

Remove all packaging materials from the exterior and interior of the Barbecue Grill.

Follow all assembly instructions.

Before cooking any food on this appliance, operate the grill for about 15 minutes with the lid closed and the power turned to "HIGH". This will 'heat clean' the internal parts and dissipate odors from the manufacturing process.

Using Your Electric Barbecue Grill

1. While the Grill is in off, spray with a non-stick cooking spray.
2. Set Temperature Control to the desired level and allow temperature to be reached.
3. Place food on Cooking Grill.
4. With Lid open or closed, cook until desired internal temperature is reached. Use heat-proof, non-scratch utensils to remove food from Cooking Grill.

CAUTION: Lid is NOT intended to be locked while cooking.

WARNING: Do NOT touch hot surfaces. Use handles or knobs ...wear oven mitts when handling hot components or touching hot surfaces.

Cleaning and Care

CAUTION:

1. After using, turn the Temperature Control Dial to the 'OFF' position and unplug the power cord from the power source. Allow the Barbecue to cool completely, then unplug the Temperature Control from the Barbecue Grill and remove the Heating Element before cleaning.
2. All cleaning and maintenance should only be performed when the Barbecue Grill is cold to the touch and only when the power supply is disconnected.
3. Do not use water or any other liquid spray to clean the Barbecue Grill while it is still plugged in.
4. Do not clean any parts in a self-cleaning oven or dishwasher. The extreme heat will damage the finish.
5. **NEVER** immerse the Heater Element or Temperature Control Plug, Prong or Cord set in water.

Note: Do NOT use abrasive cleaning agents on this appliance. They will damage the finish. Never use oven cleaner on this product.

Cleaning and Care...

Cleaning Outsides of Appliance and Cooking Grill

1. Remove the power cord from the wall socket and be certain the appliance is thoroughly cooled before cleaning the appliance.
2. Remove the Temperature Control from the appliance before cleaning, and set aside.
3. Remove the Cooking Grill.
4. Remove the Heating Element before cleaning by unscrewing the wing nuts and lifting the element out, and putting it and the wing nuts aside.
5. Wipe surface grime off the appliance, including the Lid top, Bowl, Cooking Grill and Heat Reflector Plate with a clean damp cloth, using mild dishwashing detergent or baking soda.
6. For stubborn surface dirt, use a citrus-based degreaser and a nylon scrubbing brush.
7. Rinse clean with a damp cloth.
8. Allow surface to dry fully before use.

Cleaning the Heating Element

1. Once the Heating Element is completely cool and has been removed as outlined above, gently clean the Heating Element with a damp cloth.
CAUTION: Do not scratch the element's surface or immerse in water.
Avoid impact to connection pins while cleaning as this may damage the contacts inside.
2. When fully dry, reinstall the Heating Element.
3. Inspect the Temperature Control and Power Cord for any possible damage, and then re-install.

Cleaning the Temperature Control

1. If cleaning is required, once the Temperature Control is completely cool and has been removed from the appliance, gently wipe with a damp cloth.
2. Dry thoroughly.
CAUTION: Do not immerse in water.

Cleaning the Drip Tray

1. Once the Barbecue Grill is completely cool, remove the Drip Tray and empty the contents.
2. Wash with warm soapy water.
3. Rinse, and dry thoroughly.

Any other servicing should be performed by an authorized service representative.

Storage

1. Unplug the appliance and let it cool down thoroughly.
2. Make sure all components are clean and dry.
3. Place the appliance in a clean, dry place.

Environment

Dispose of all unwanted appliances according to local environmental regulations. Preserve the planet.

Troubleshooting

PROBLEM	POSSIBLE CAUSE	SOLUTION
The Barbecue Grill does not work.	The appliance is not plugged in.	Plug power cord into wall socket.
	The appliance is not turned on. The Temperature Control Prong is not inserted properly into the Heating Element's Front Bracket.	Re-insert the Temperature Control Prong into the Heating Element's Front Bracket. Turn the Temperature Dial to the desired temperature.
	Temperature Control Prong failure.	Replace the Temperature Control.
Food is not cooked/overcooked.	The temperature setting needs adjusting.	Adjust the Temperature Control Dial.
Smoke or an unpleasant smell is coming from the unit.	The Cooking Grill, Heat Reflector Plate or Drip Tray may need cleaning.	Clean Cooking Grill, Heat Reflector Plate or Drip Tray.

Is it possible to shut off the Unit at any time?

At any time, the unit can be turned off by turning the Temperature Control Dial to the 'OFF' position and unplugging the power cord from the wall outlet.