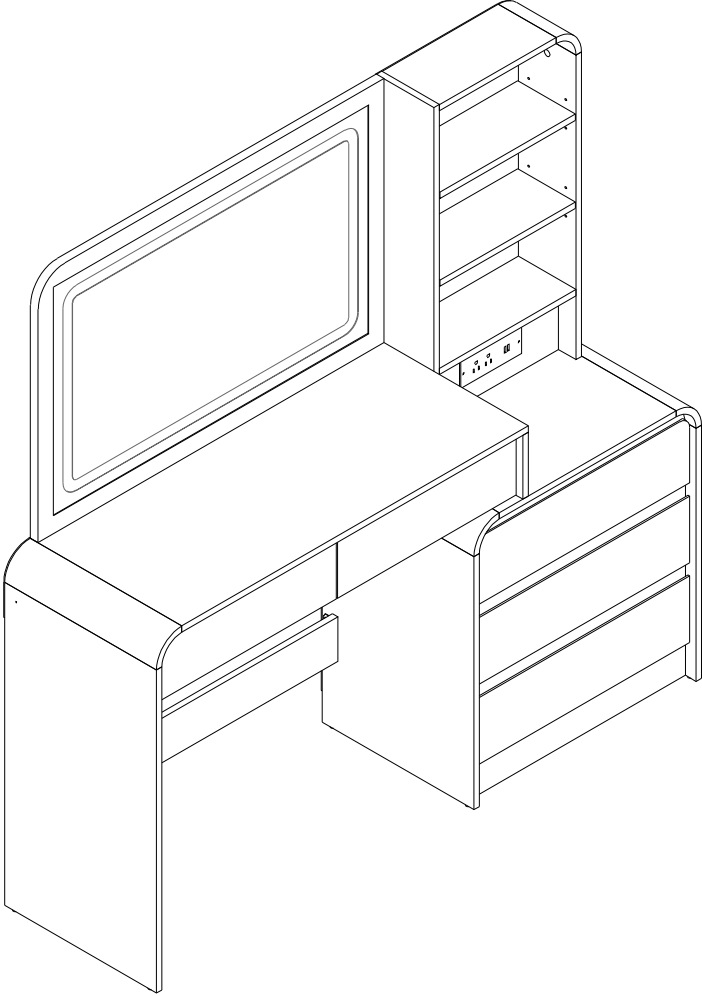
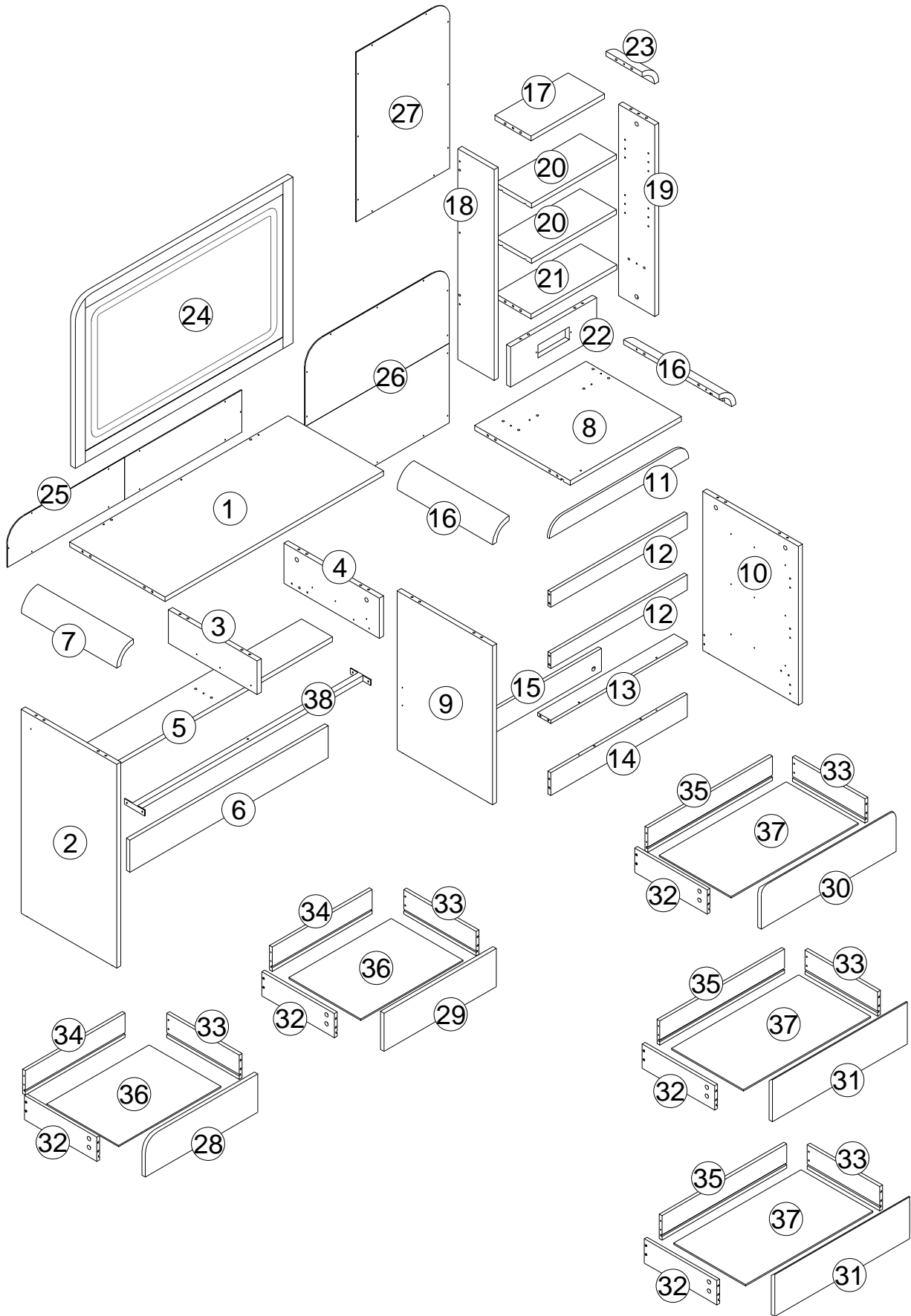


ASSEMBLY INSTRUCTIONS



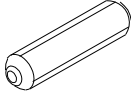
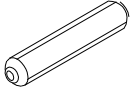
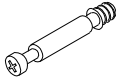
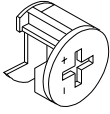
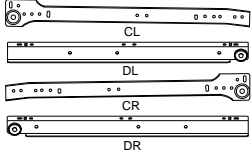
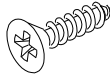
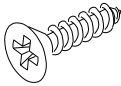
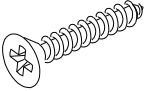
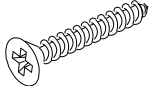


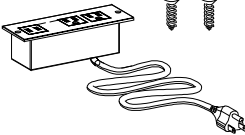
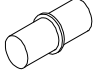
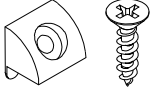
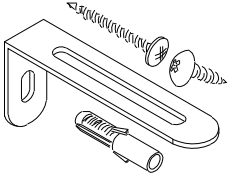
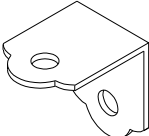
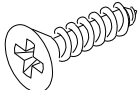
PACKAGE INCLUDE



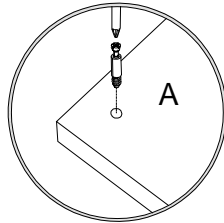
PACKAGE INCLUDE

CODE	DESCRIPTION	QTY	CODE	DESCRIPTION	QTY
1	Top Panel	1	20	Adjustable Shelf	2
2	Left Side Panel	1	21	Bottom Plate	1
3	Mid-Side Panels(Pair)	1	22	Baffle	1
4	Right Side Panel	1	23	Bent Wood Board	1
5	Bottom Horizontal Board	1	24	Mirror	1
6	Drop-Down Panel	1	25	Back Panel	1
7	Bent Wood Board	1	26	Back Panel	1
8	Top Panel	1	27	Back Panel	1
9	Left Side Panel	1	28	Drawer Top Panel	1
10	Right Side Panel	1	29	Drawer Top Panel	1
11	Baffle	1	30	Drawer Top Panel	1
12	Horizontal Stripe	2	31	Drawer Top Panel	2
13	Bottom Crossbar	1	32	Drawer Left Side Panel	5
14	Lower Vertical Panel	1	33	Drawer Right Side Panel	5
15	Lower Vertical Panel	1	34	Drawer Back Panel	2
16	Bent Wood Board	2	35	Drawer Back Panel	3
17	Top Panel	1	36	Drawer Bottom Panel	2
18	Left Side Panel	1	37	Drawer Bottom Panel	3
19	Right Side Panel	1	38	Die-Hard (Molded Insert /Frame)	1

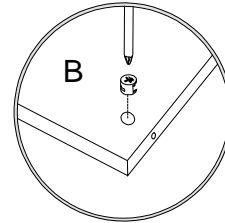
PACKAGE CONTENT

<p>Ø8X30MM</p>  <p>(A) 42X+2</p>	<p>Ø6X30MM</p>  <p>(B) 12X+1</p>	<p>Ø6X40MM</p>  <p>(C) 67X+2</p>
<p>Ø15X10MM</p>  <p>(D) 67X+2</p>	 <p>(E) 5X</p>	<p>Ø3X12MM</p>  <p>(F) 50X+2</p>
<p>Ø4X14MM</p>  <p>(G) 4X</p>	<p>Ø4X35MM</p>  <p>(H) 22X+2</p>	<p>Ø3.5X40MM</p>  <p>(J) 3X</p>
<p>Ø3X12MM</p>  <p>(K) 34X+2</p>	 <p>(L) 4X</p>	 <p>(M) 1X</p>
<p>Ø5X16MM</p>  <p>(N) 8X+1</p>	 <p>(P) 2X</p>	 <p>(Q) 2X</p>
 <p>(R) 4X</p>	<p>Ø4X16MM</p>  <p>(S) 8X+1</p>	

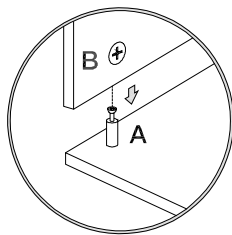
How to use the cam lock system



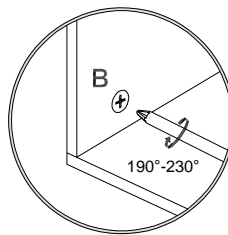
1. Screw cam bolt into panel



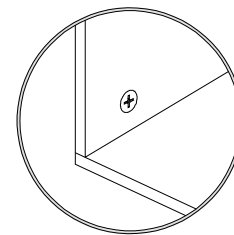
2. Push cam into panel - arrow feature on cam top points to panel edge



3. Align cam bolt(s) with cam(s) and insert all the way into cross-bored hole(s)

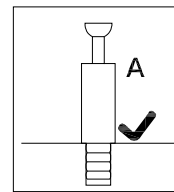
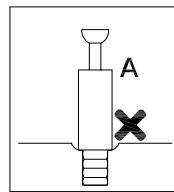
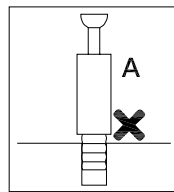
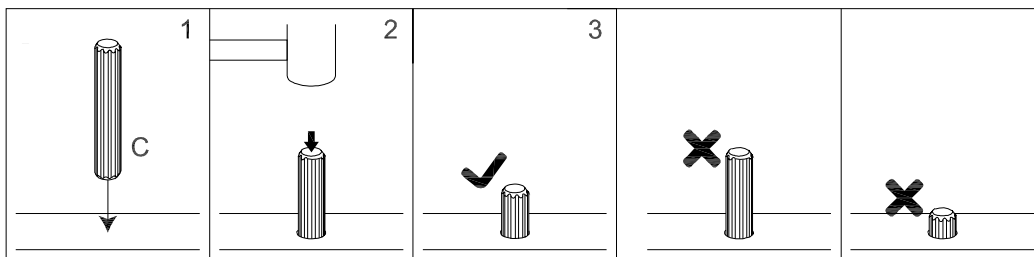


4. Rotate cam(s) clockwise 190°-230° to lock panels together



5. Panels should be tight against each other and connection should be rigid

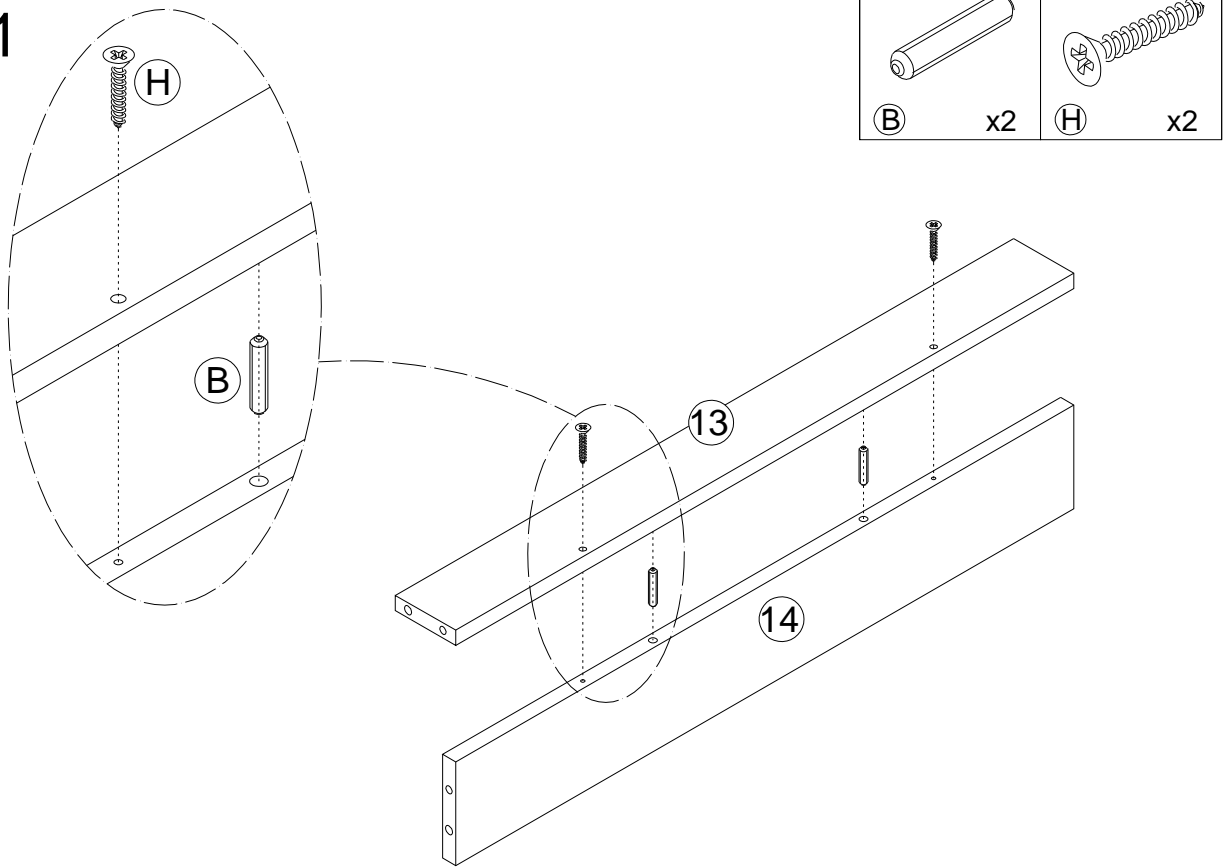
Insert the wood dowel [C] at least half way by tapping lightly with a rubber mallet, IF NECESSARY.



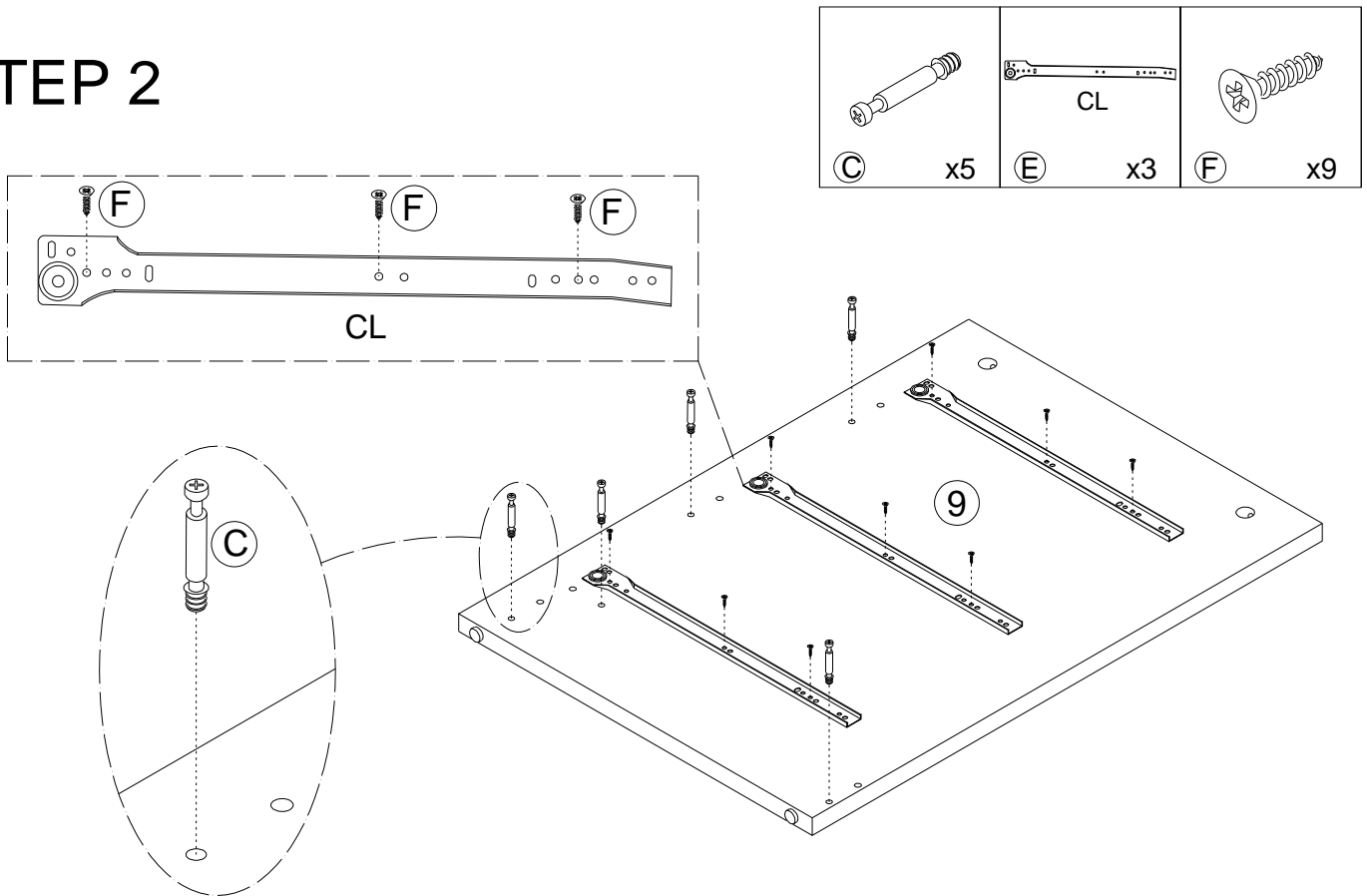
! WARNING

- Unit must be placed on a level surface or leveled with included hardware (when applicable).
- Do not sit or stand on or allow children to climb, sit or stand on the assembled product.
- For safety reasons, it is imperative that this unit be mounted to the wall.
- Do not use without installing the tip restraint.
- Unit can tip over causing severe injury or death.
- Do not exceed the recommended weight limits.
- Evenly distribute the weight on each level and always keep the heavier loads on the bottom.
- Before cutting, drilling or hammering into any wall or floor surface, verify the location of electrical, plumbing and gas lines. Cutting may cause serious injury.

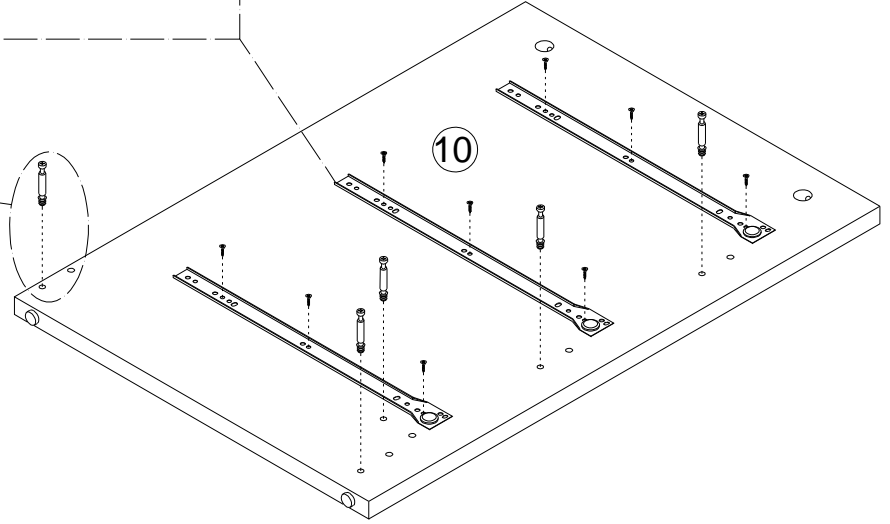
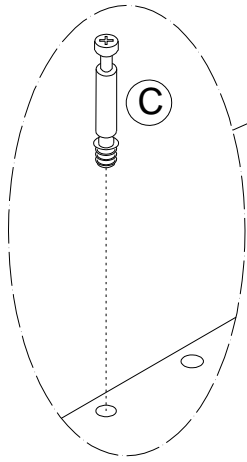
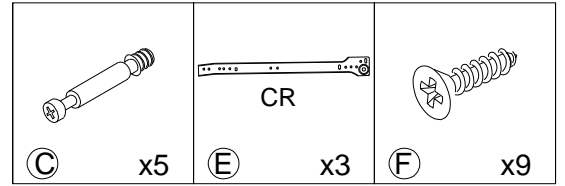
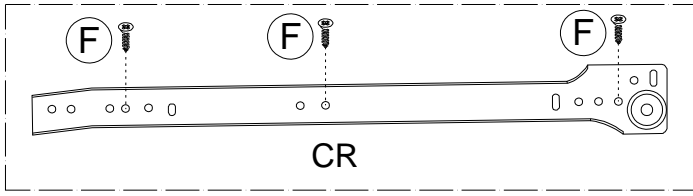
STEP 1



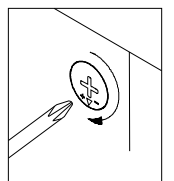
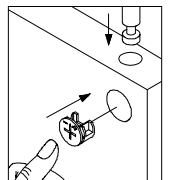
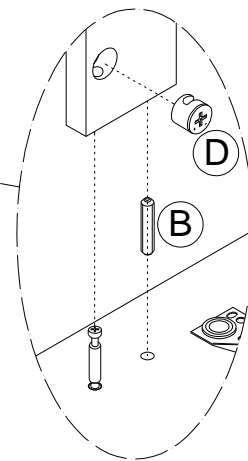
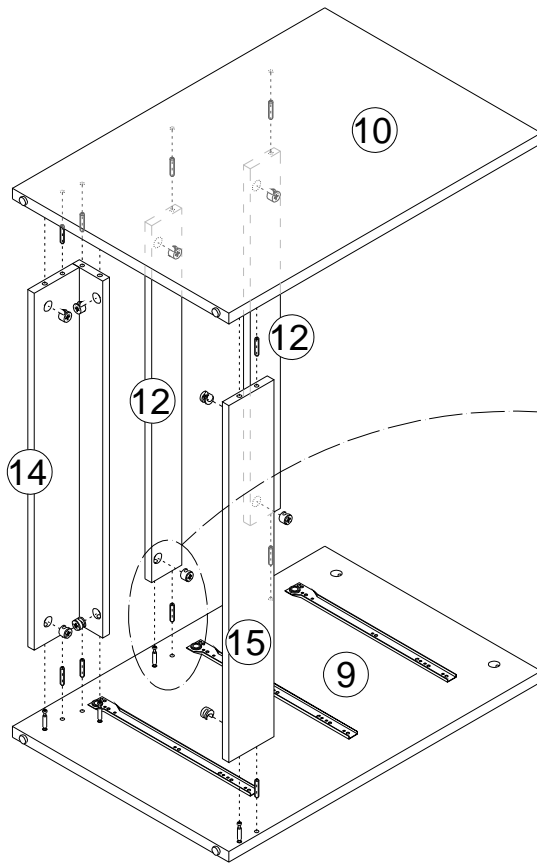
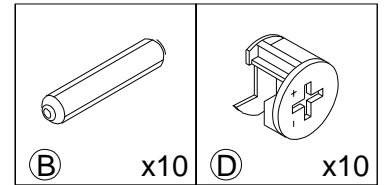
STEP 2



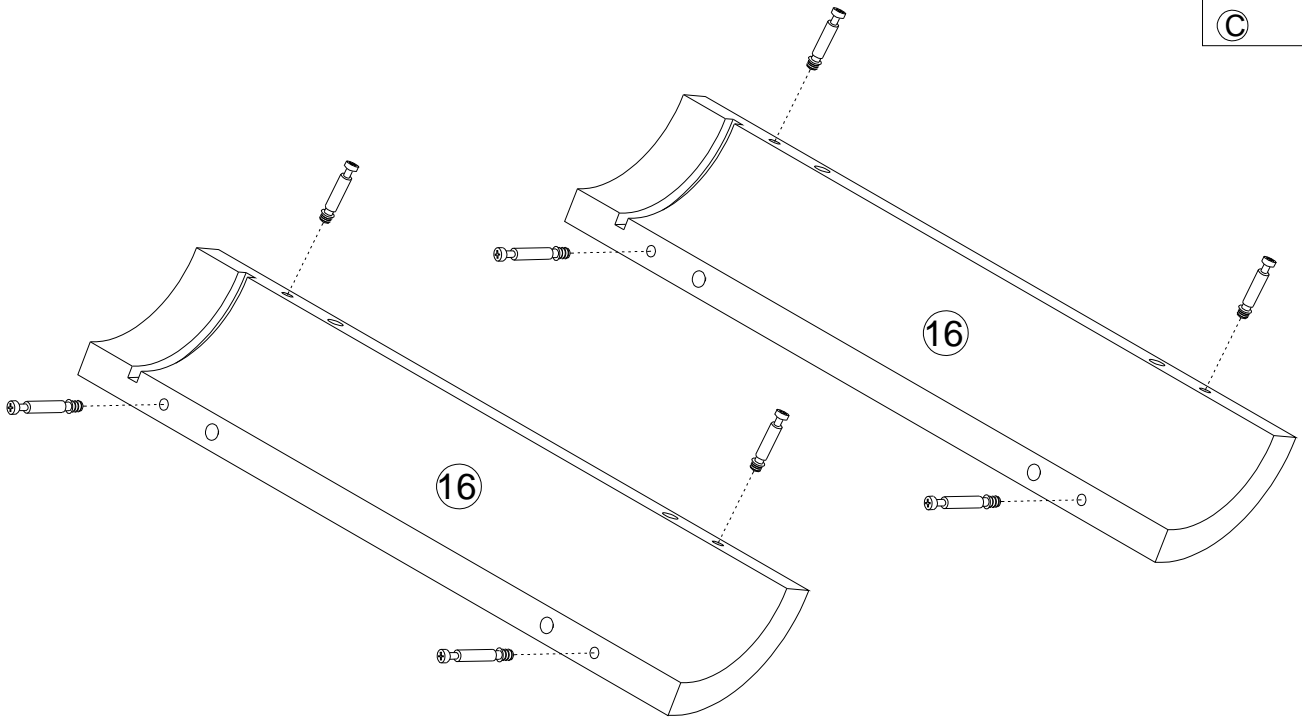
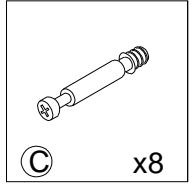
STEP 3



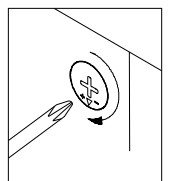
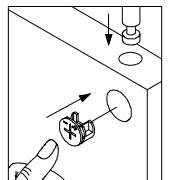
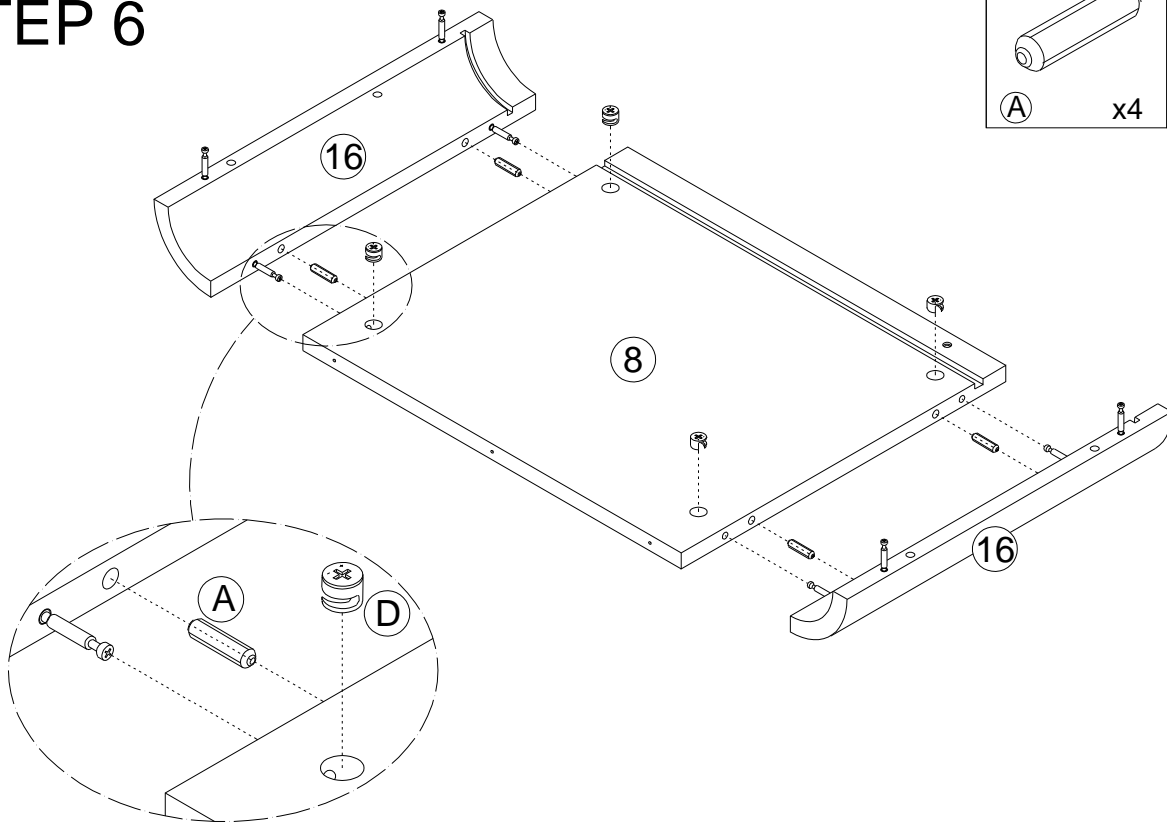
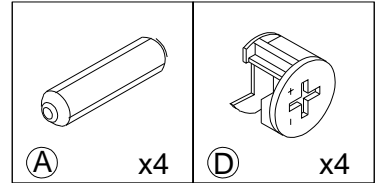
STEP 4



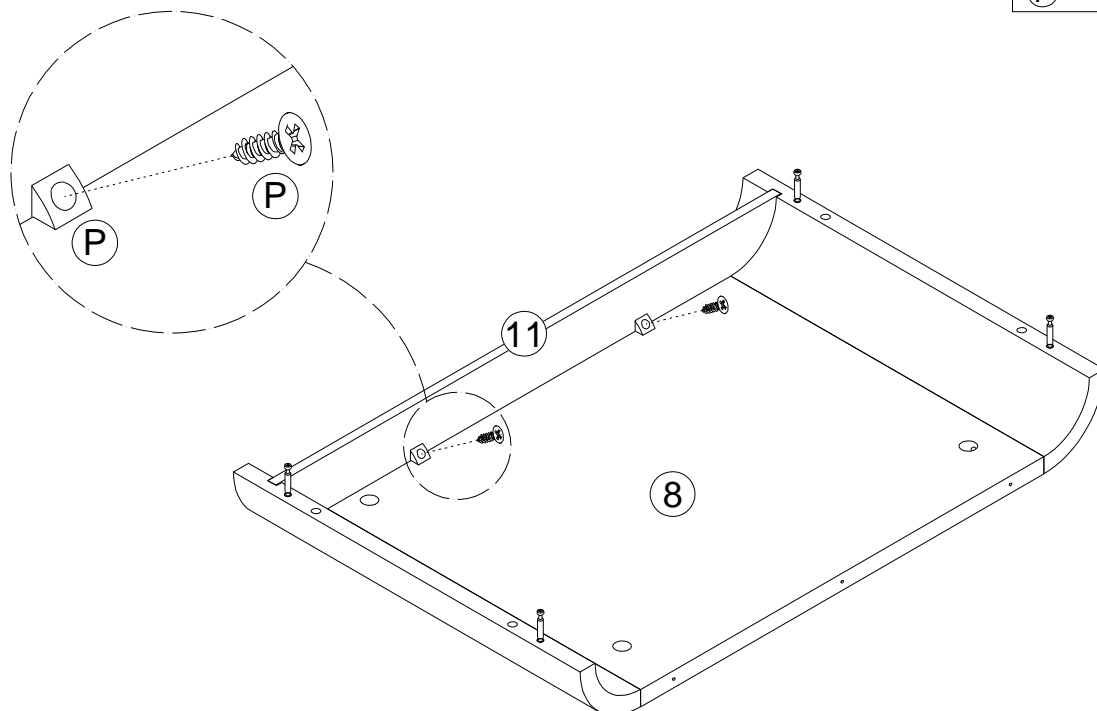
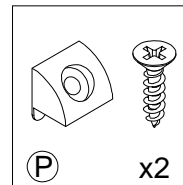
STEP 5



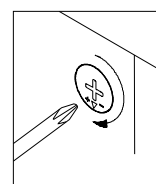
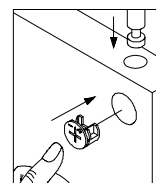
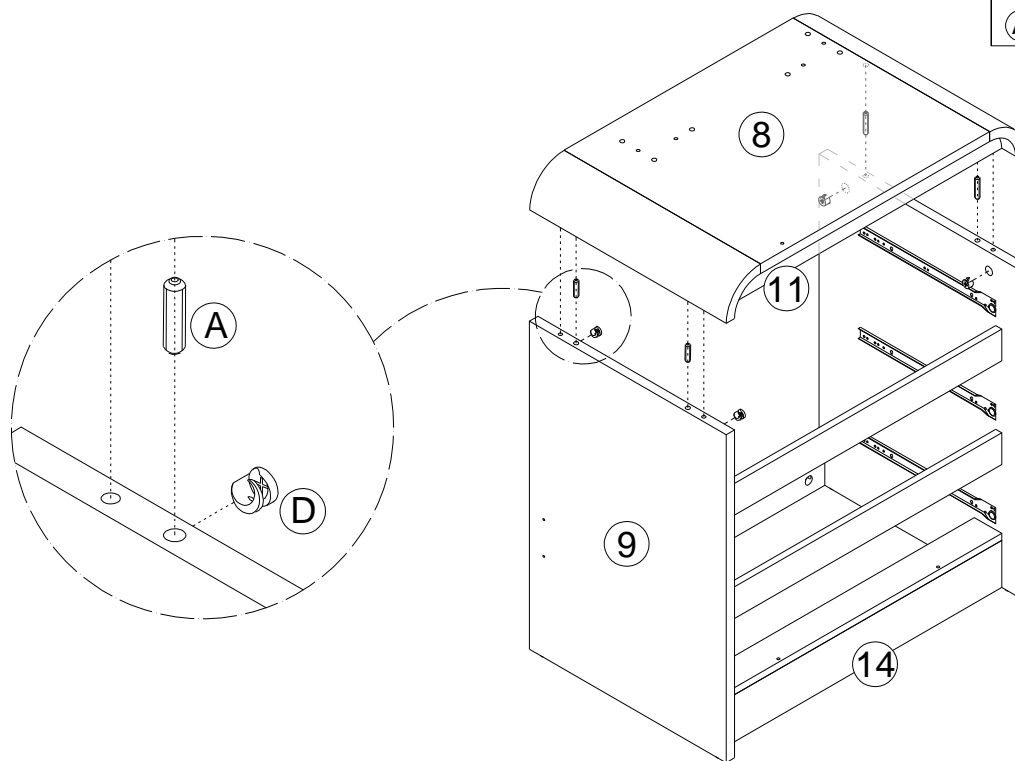
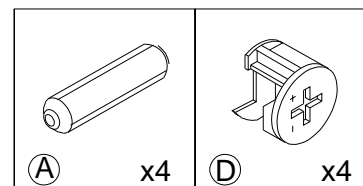
STEP 6



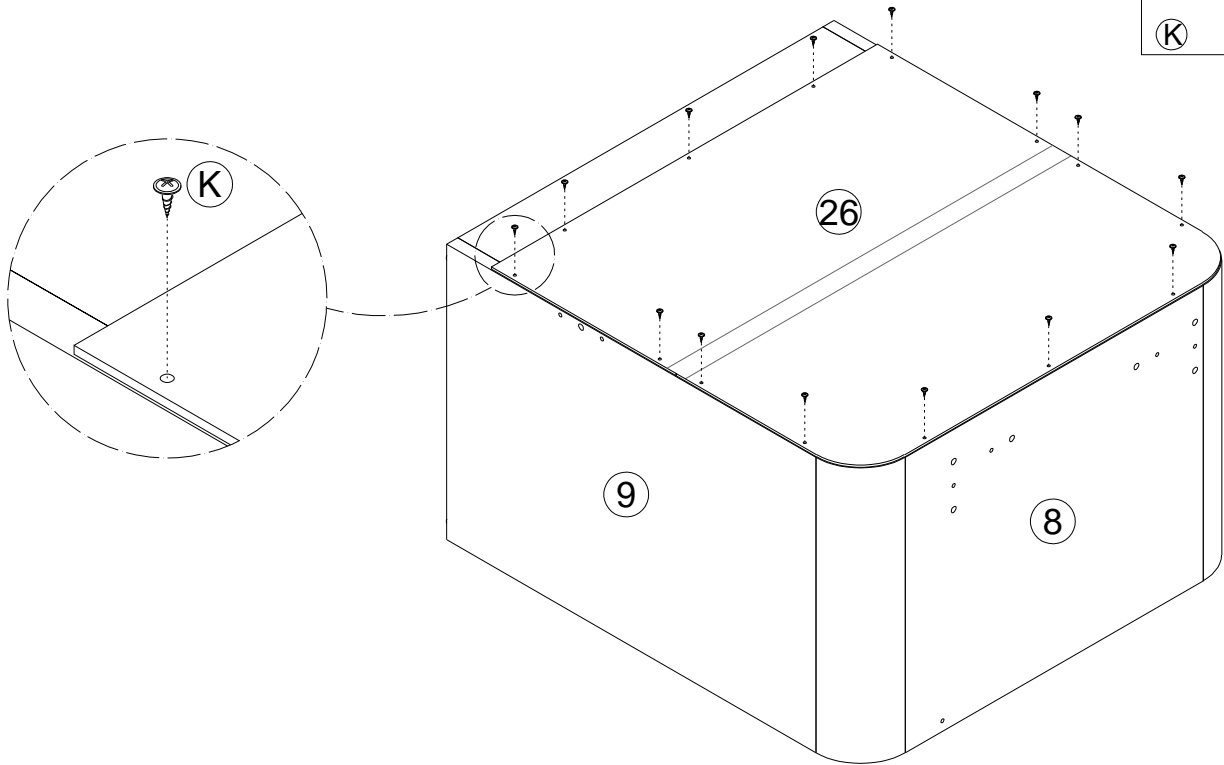
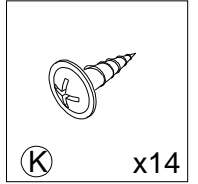
STEP 7



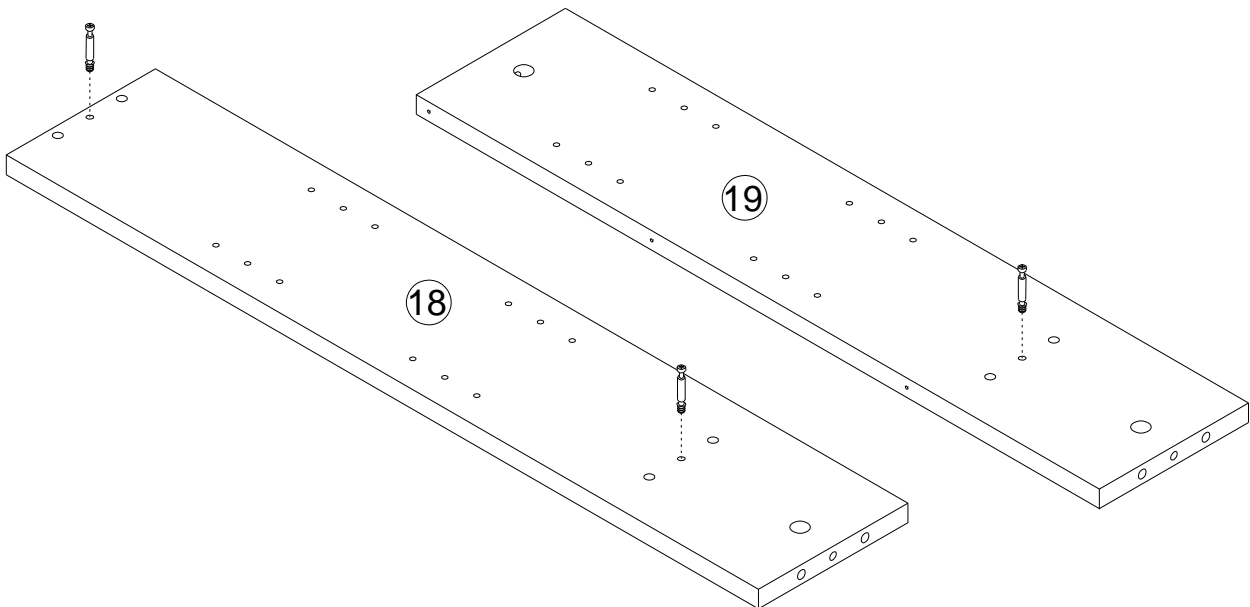
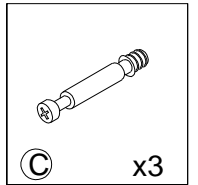
STEP 8



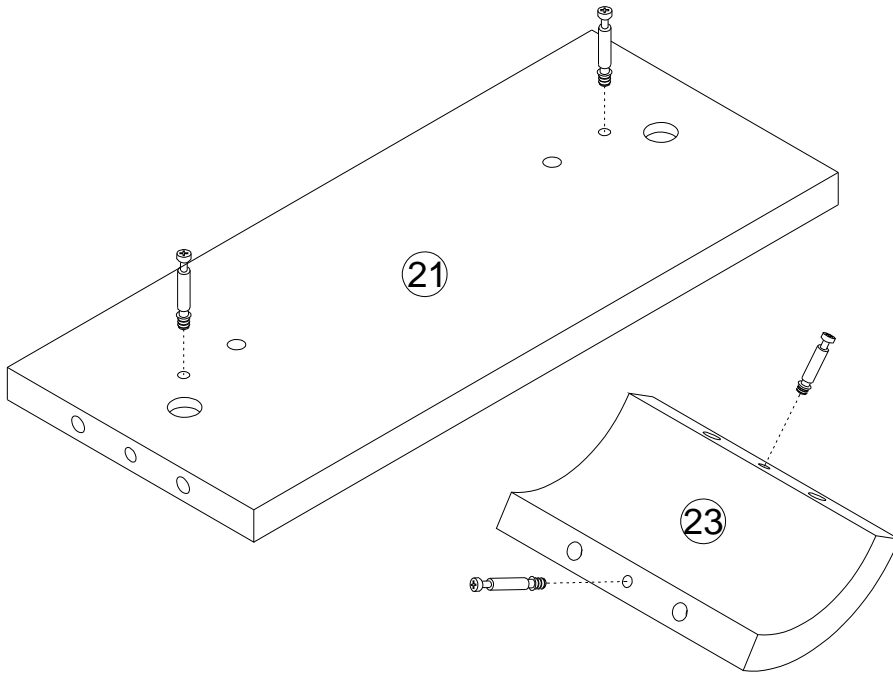
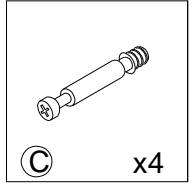
STEP 9



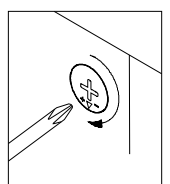
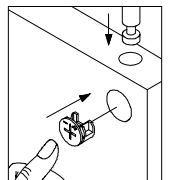
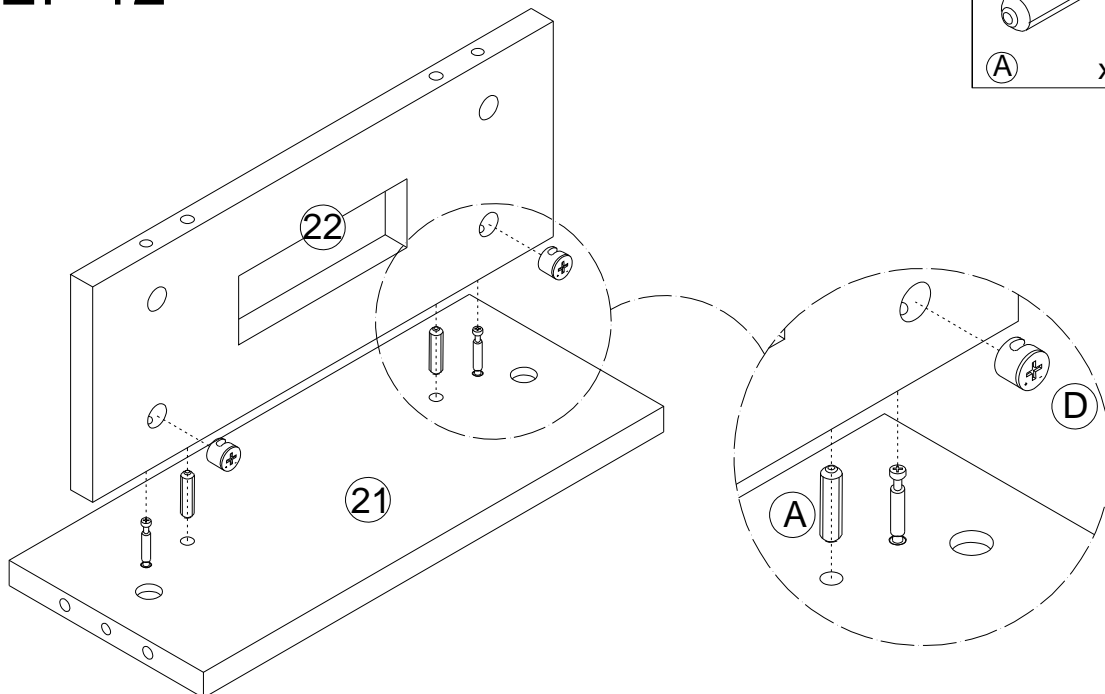
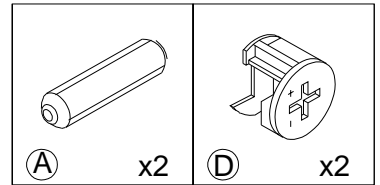
STEP 10



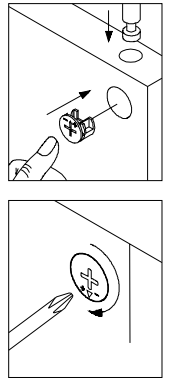
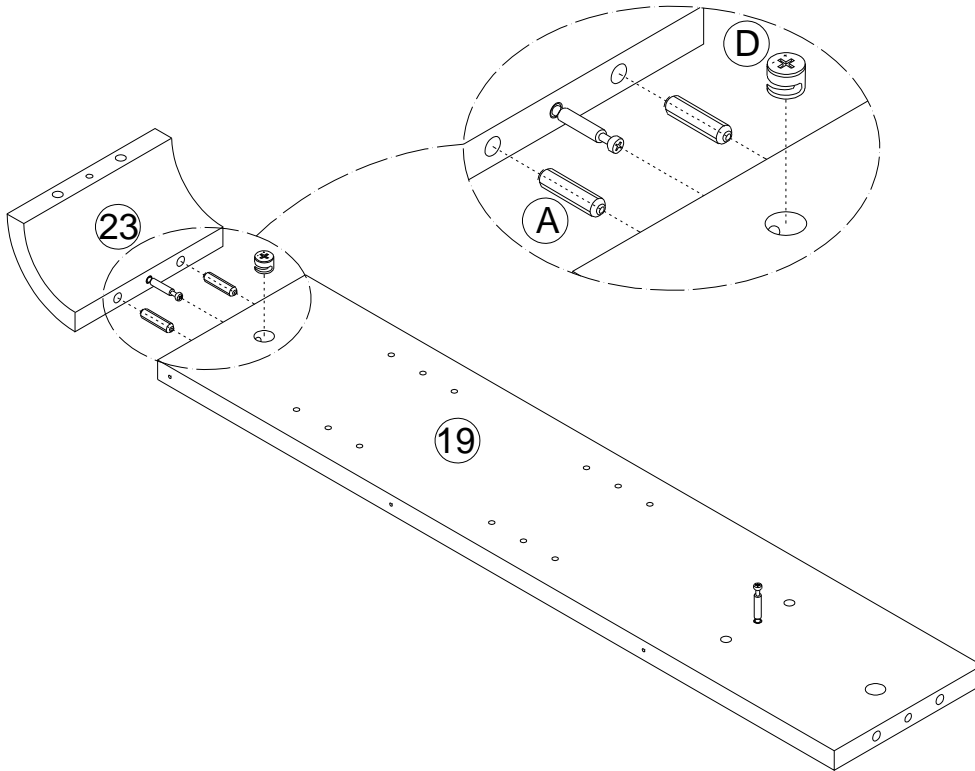
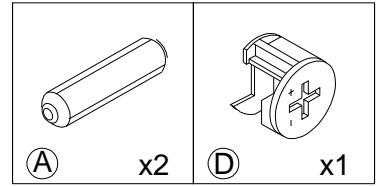
STEP 11



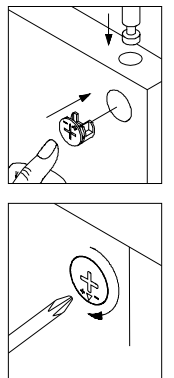
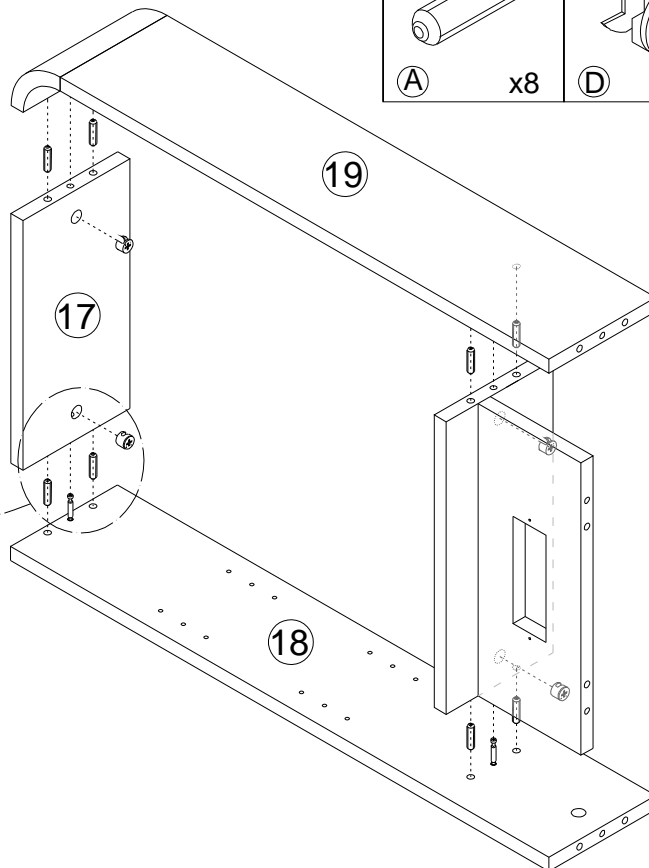
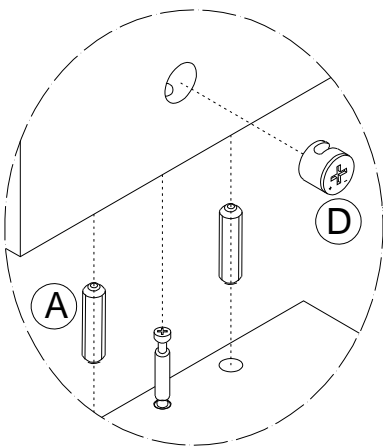
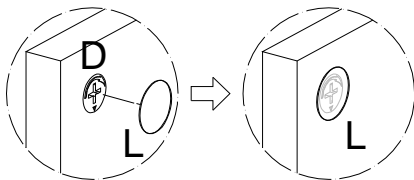
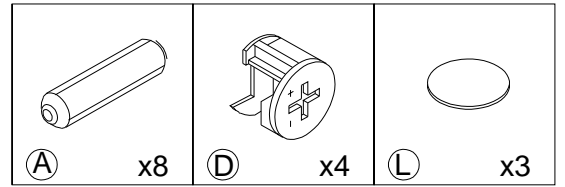
STEP 12



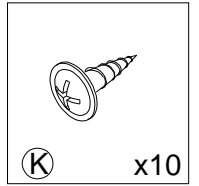
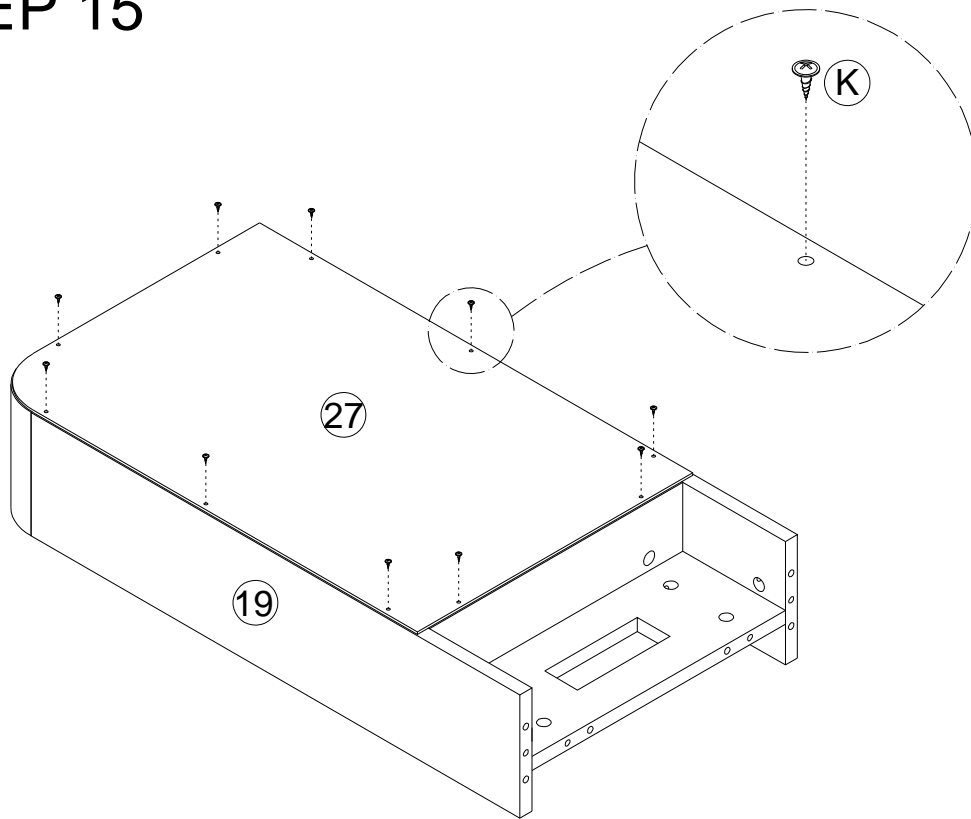
STEP 13



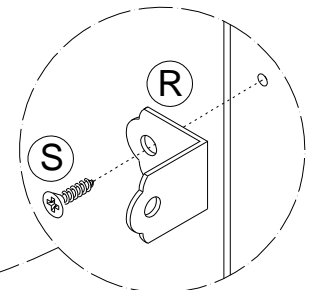
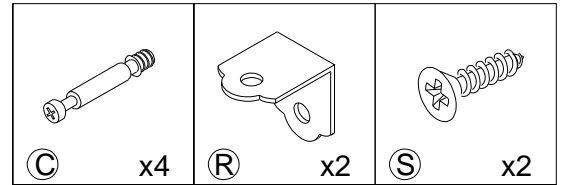
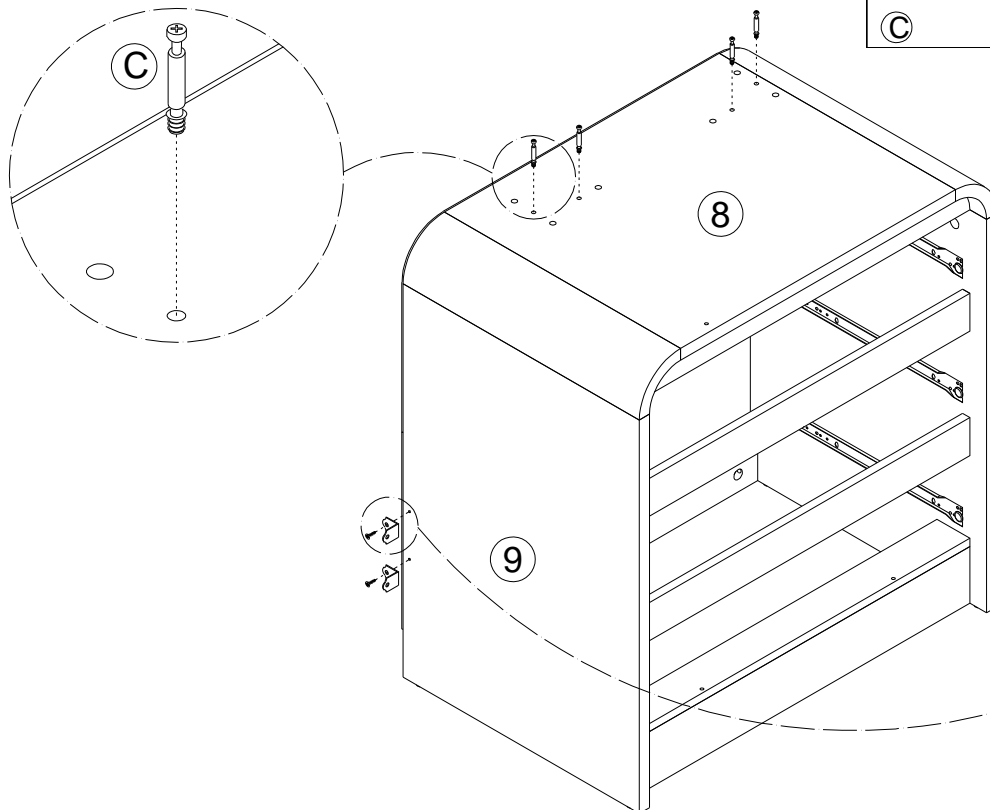
STEP 14



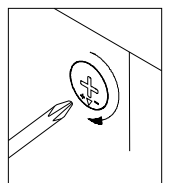
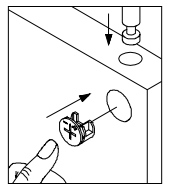
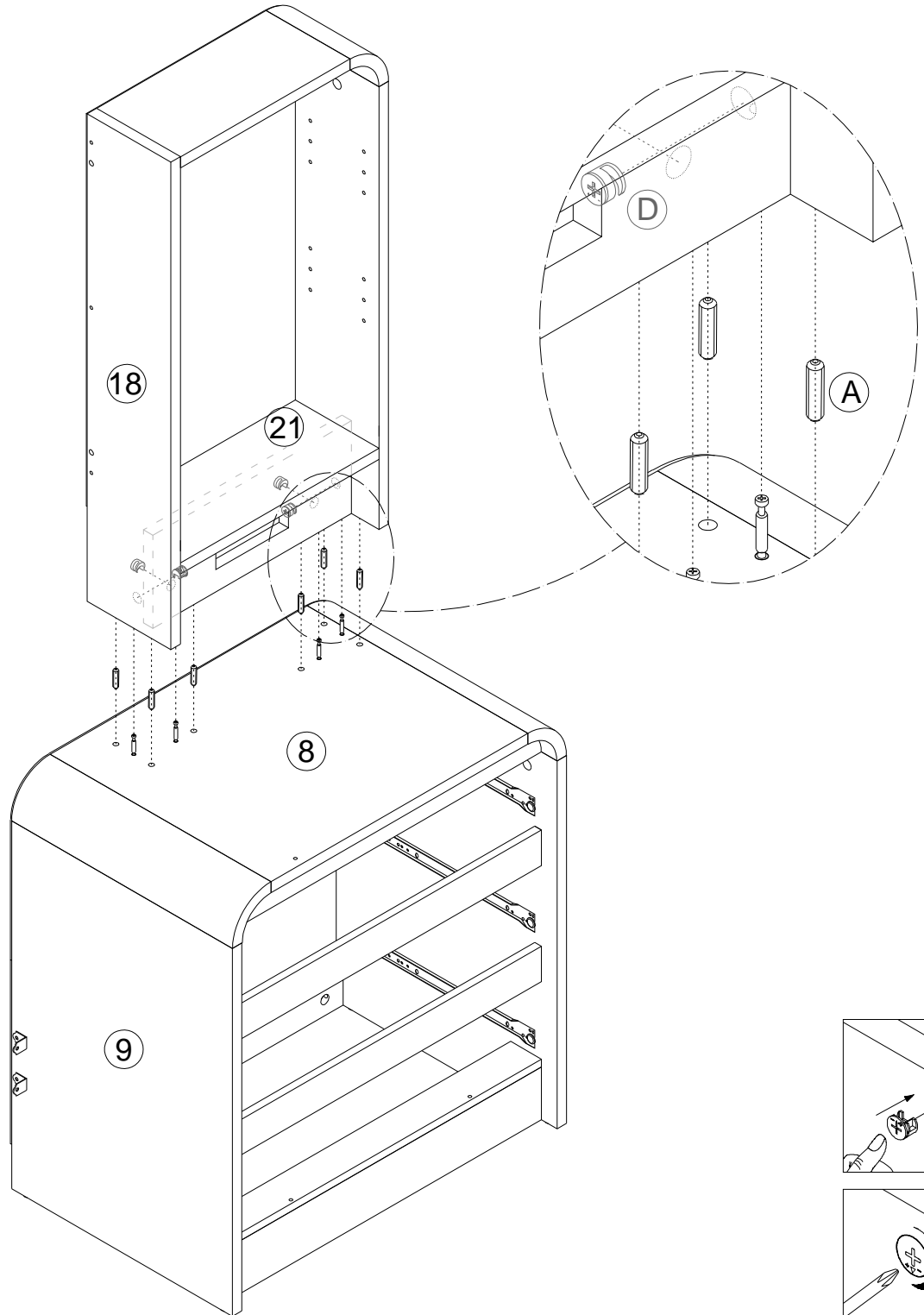
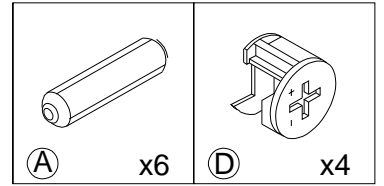
STEP 15



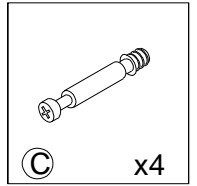
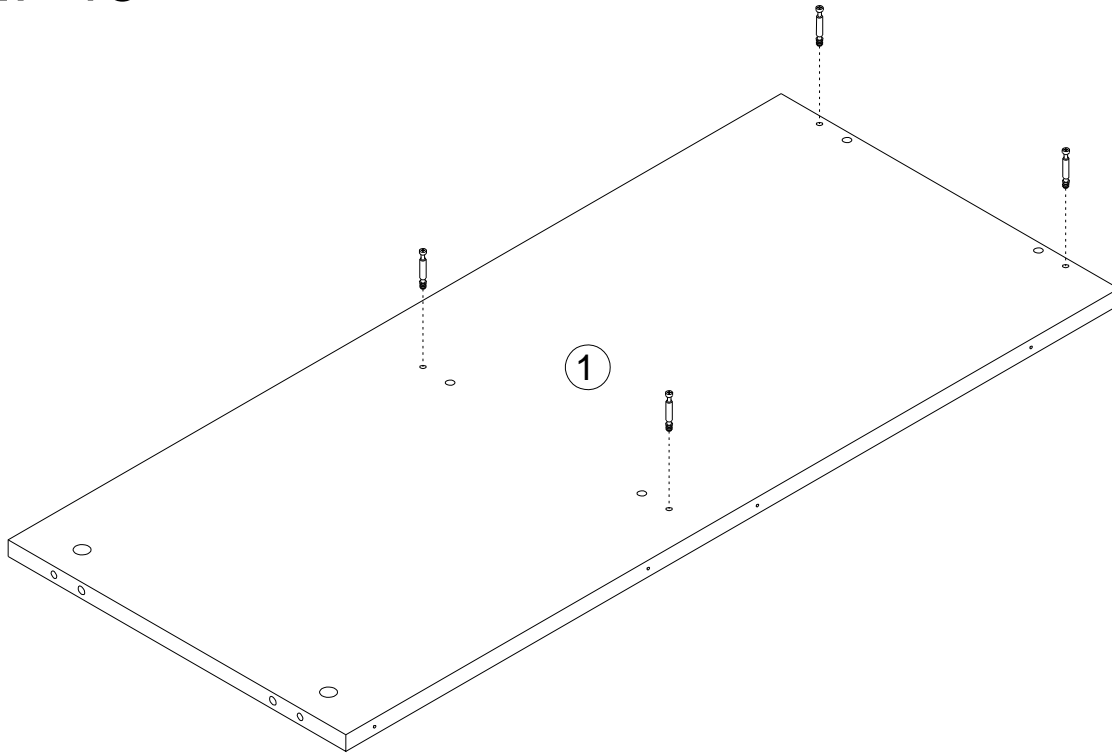
STEP 16



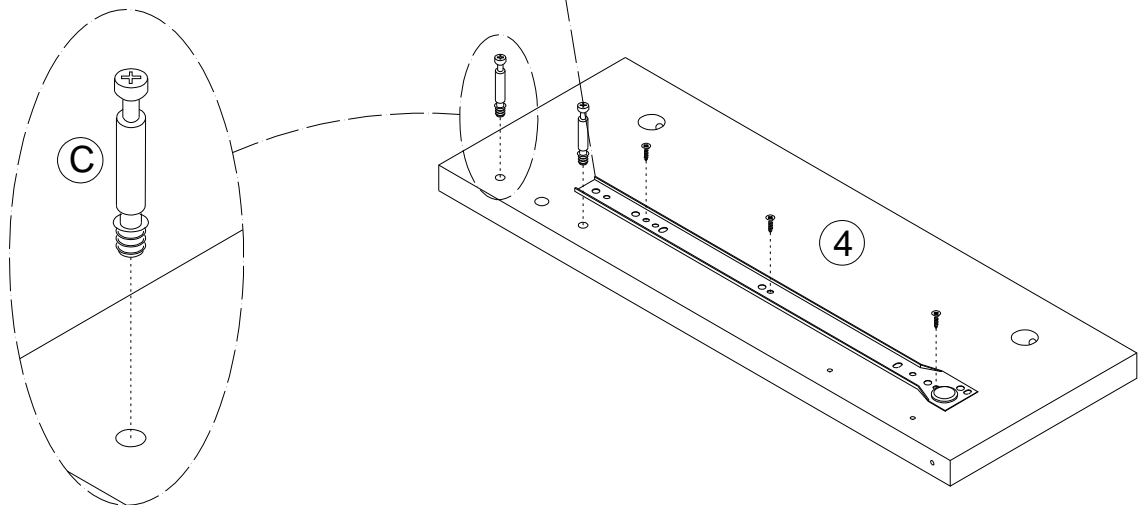
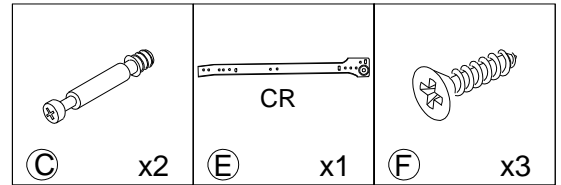
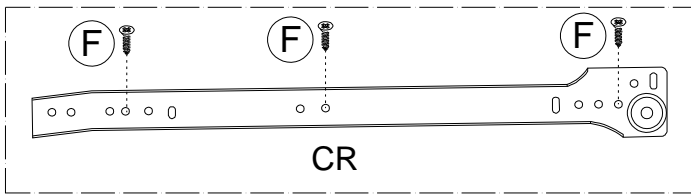
STEP 17



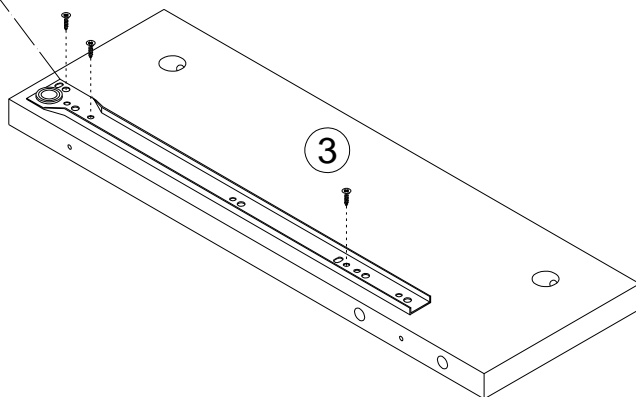
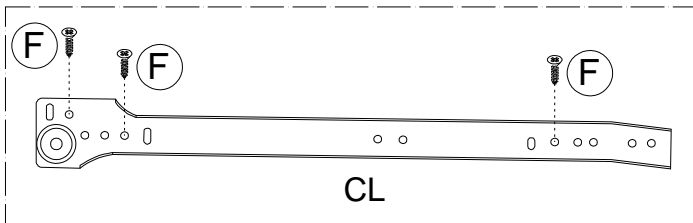
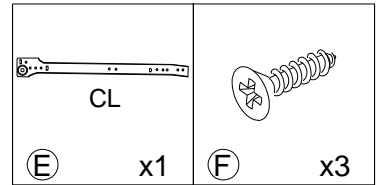
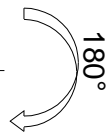
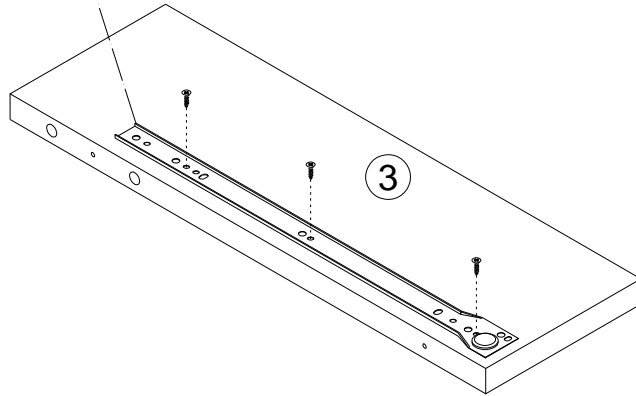
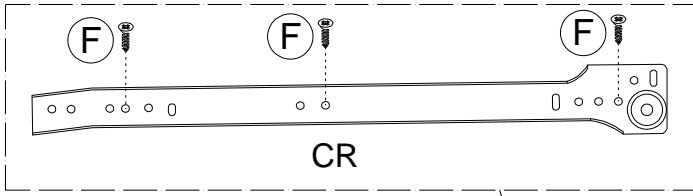
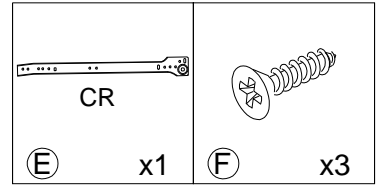
STEP 18



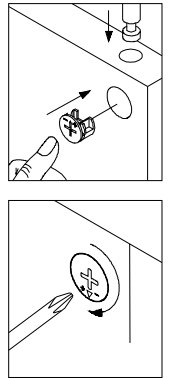
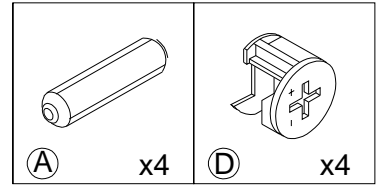
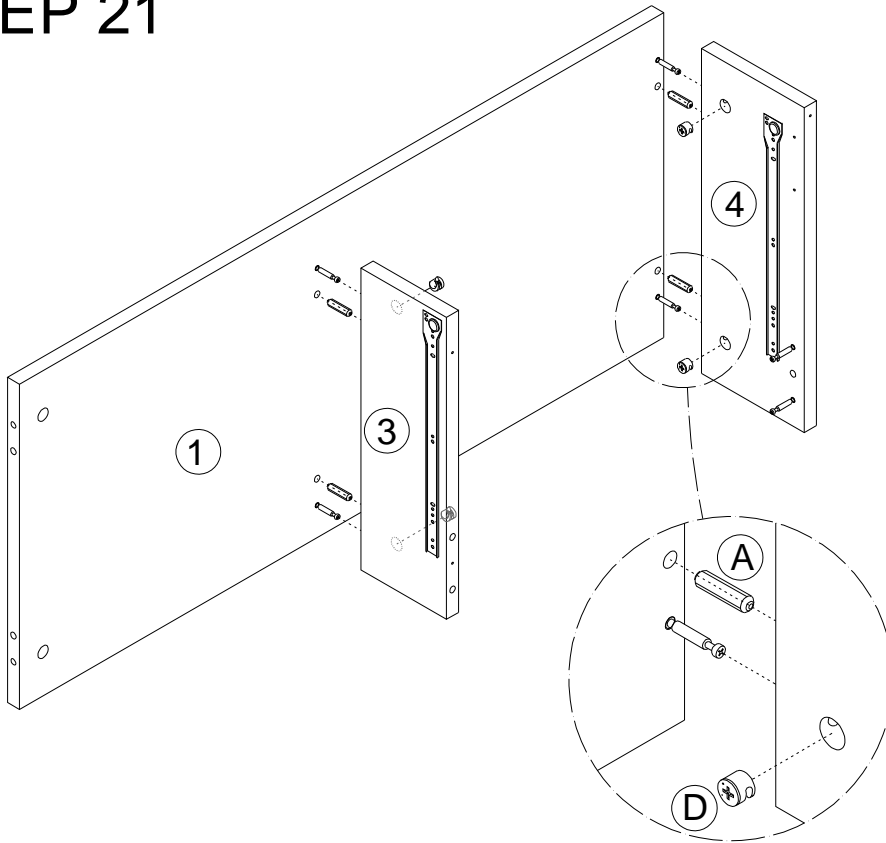
STEP 19



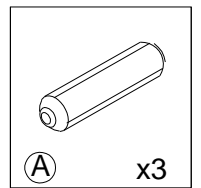
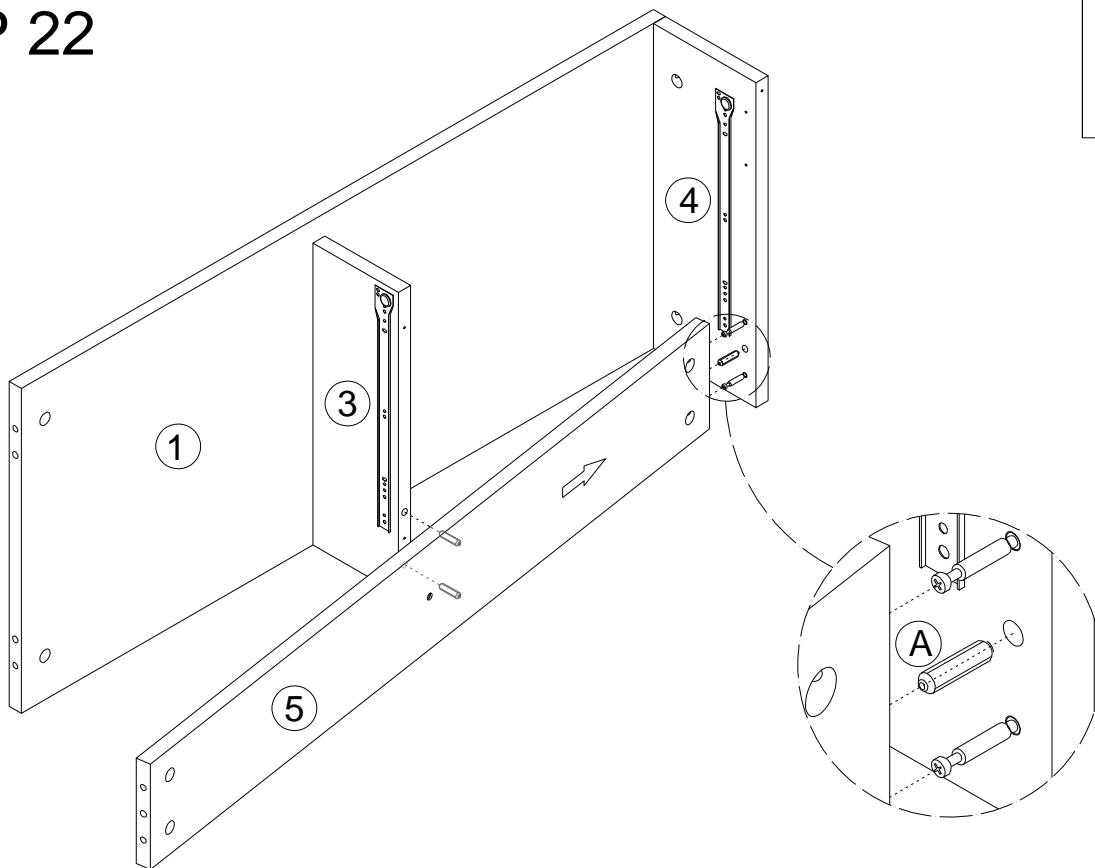
STEP 20



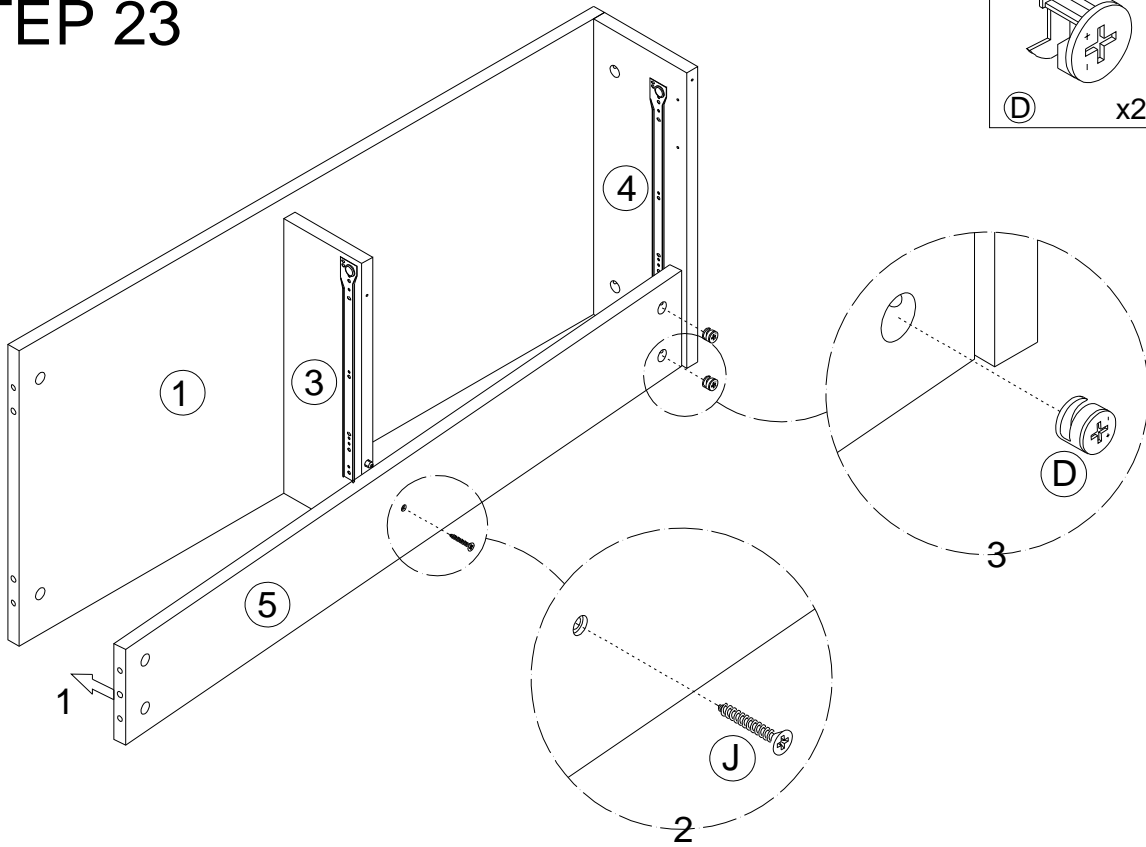
STEP 21



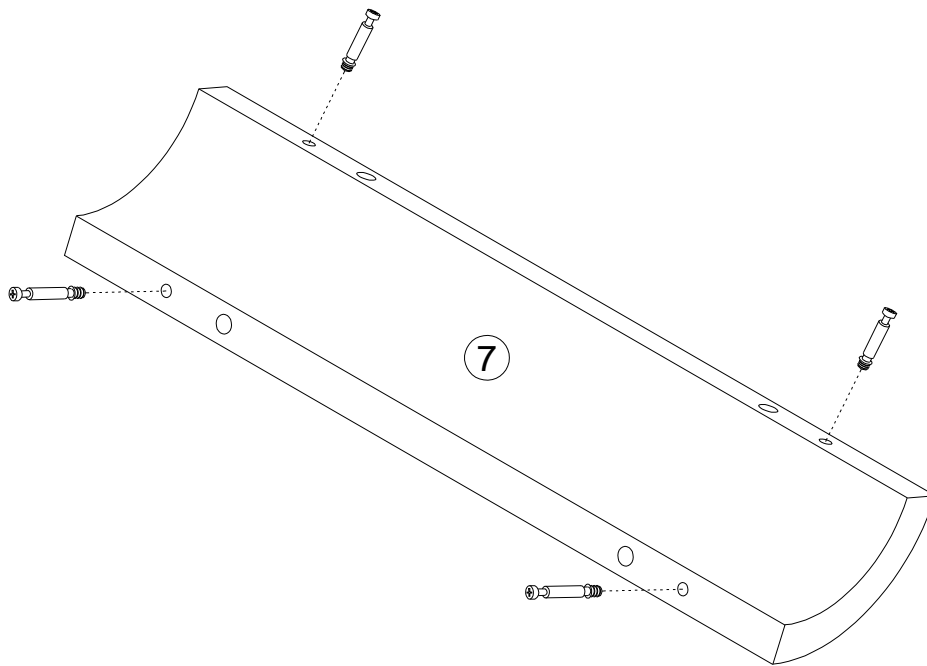
STEP 22



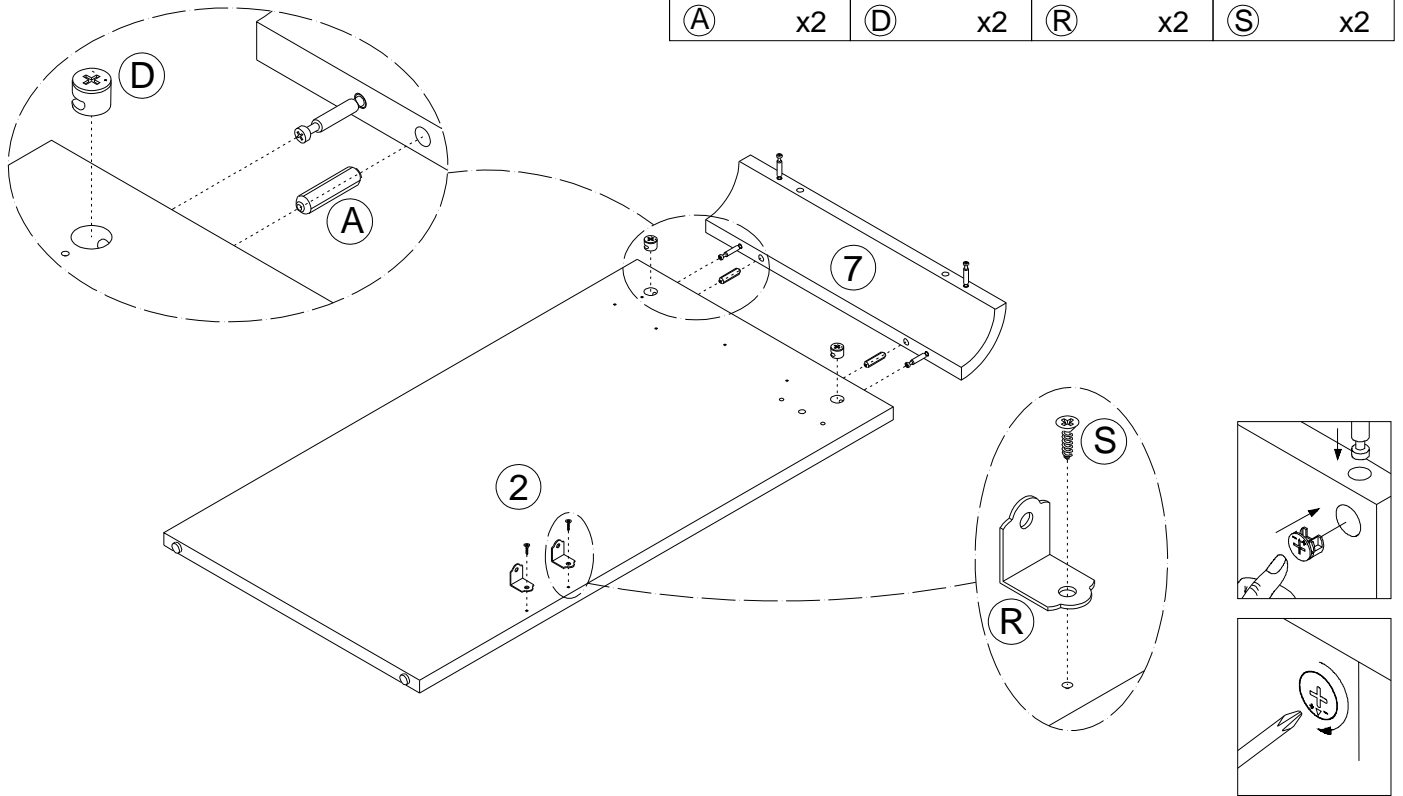
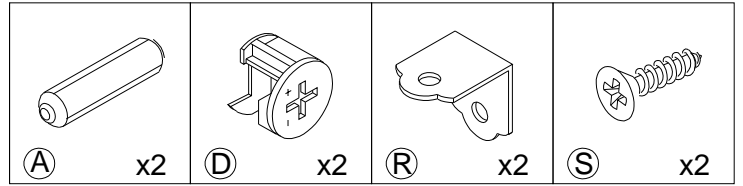
STEP 23



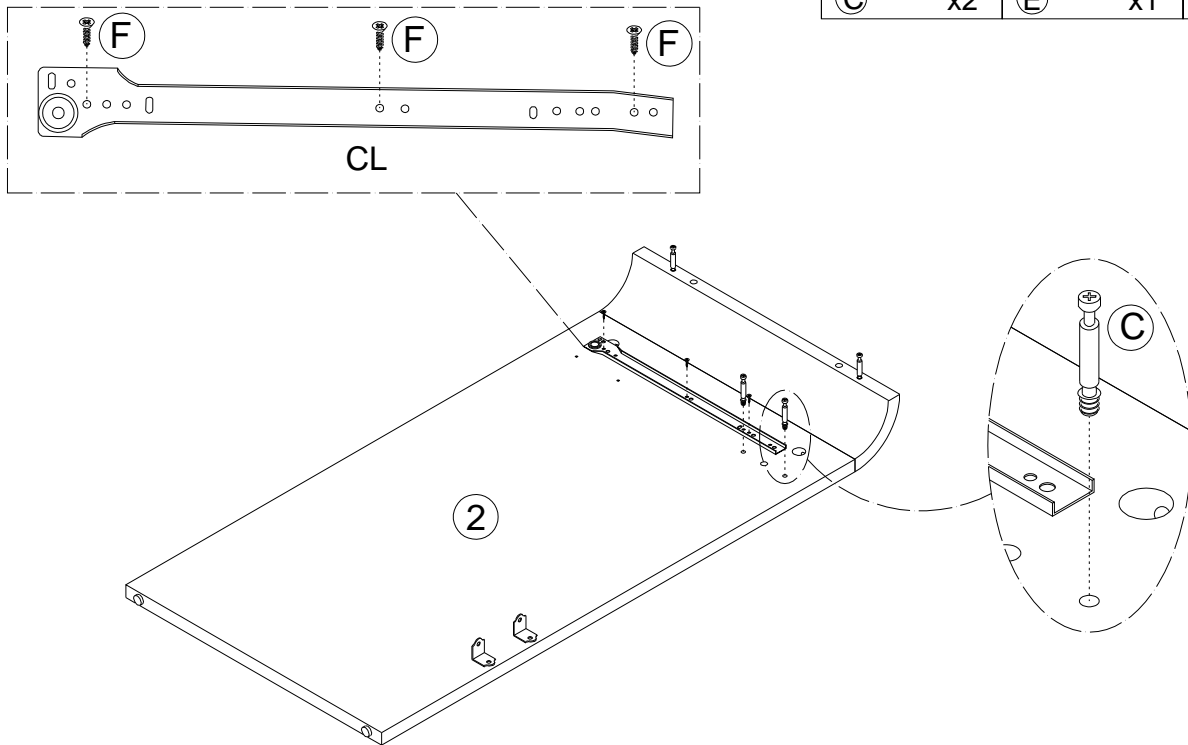
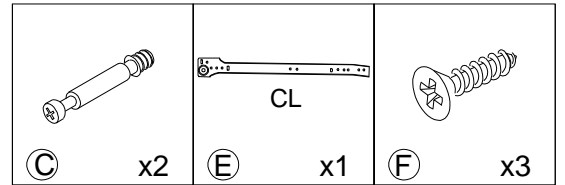
STEP 24



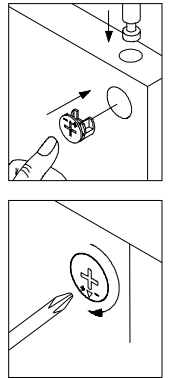
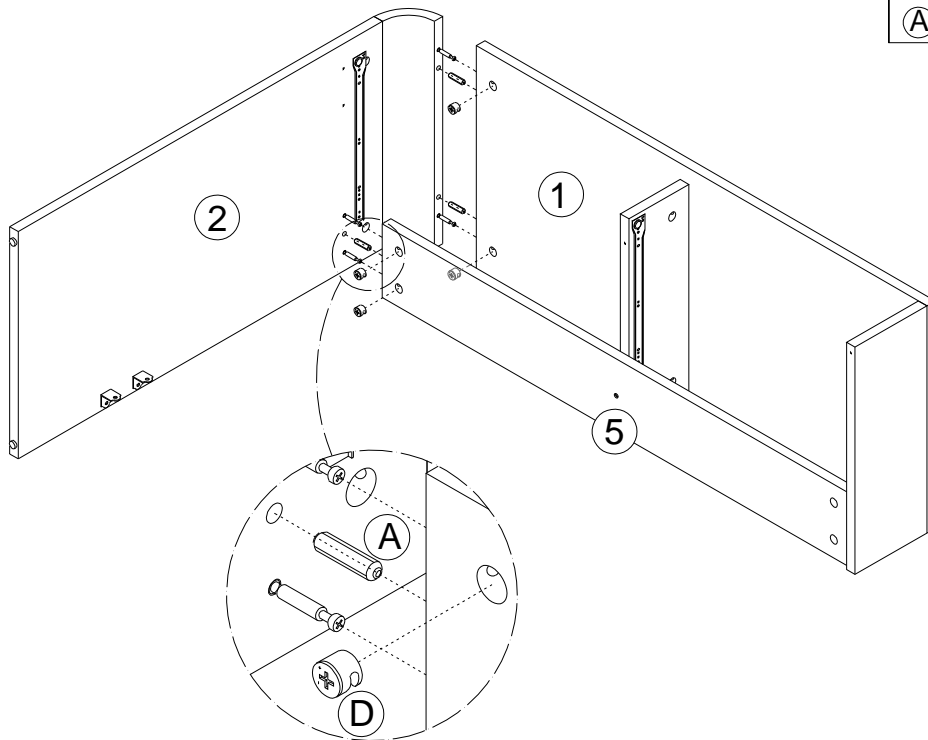
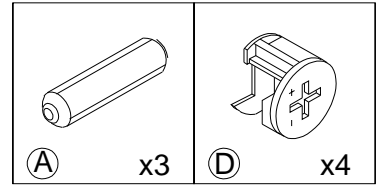
STEP 25



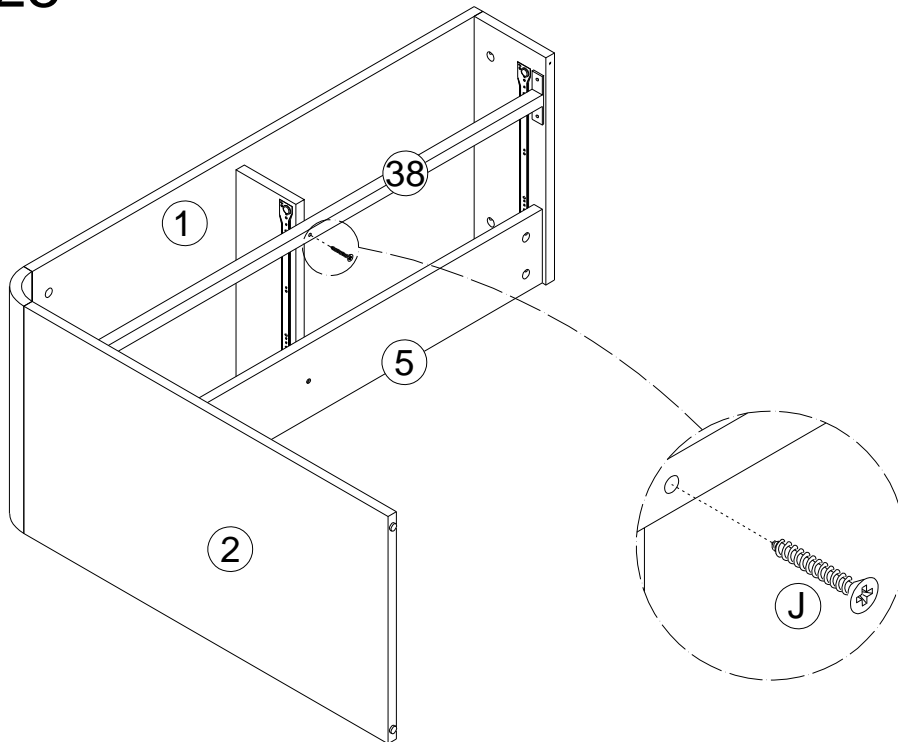
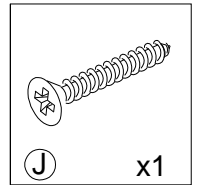
STEP 26



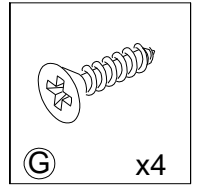
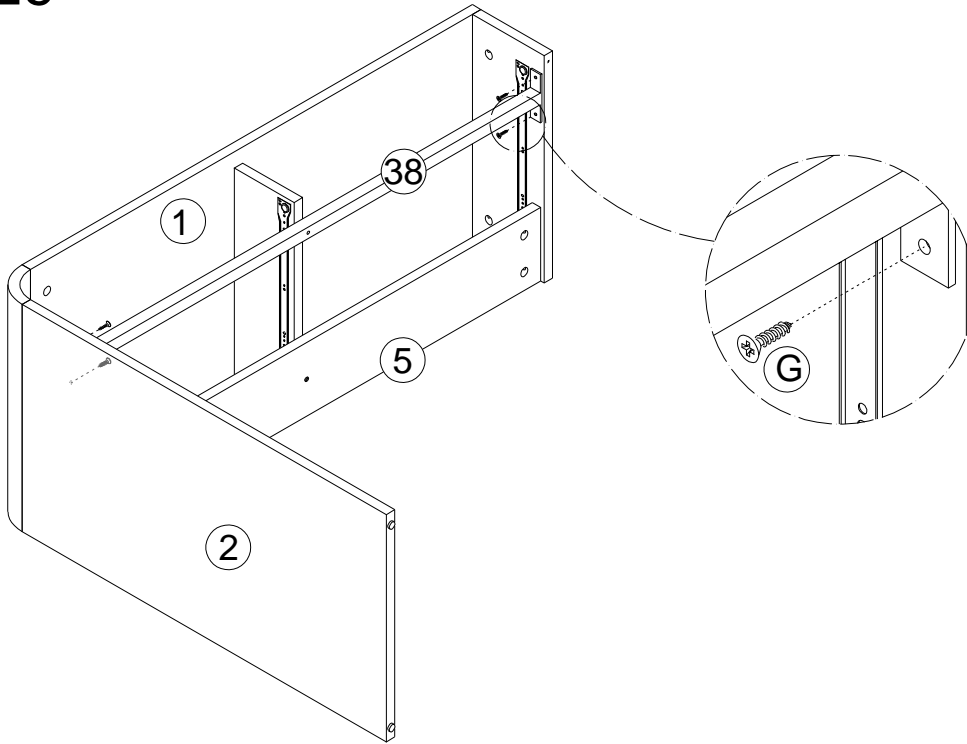
STEP 27



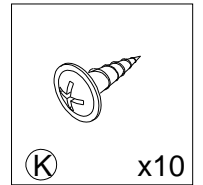
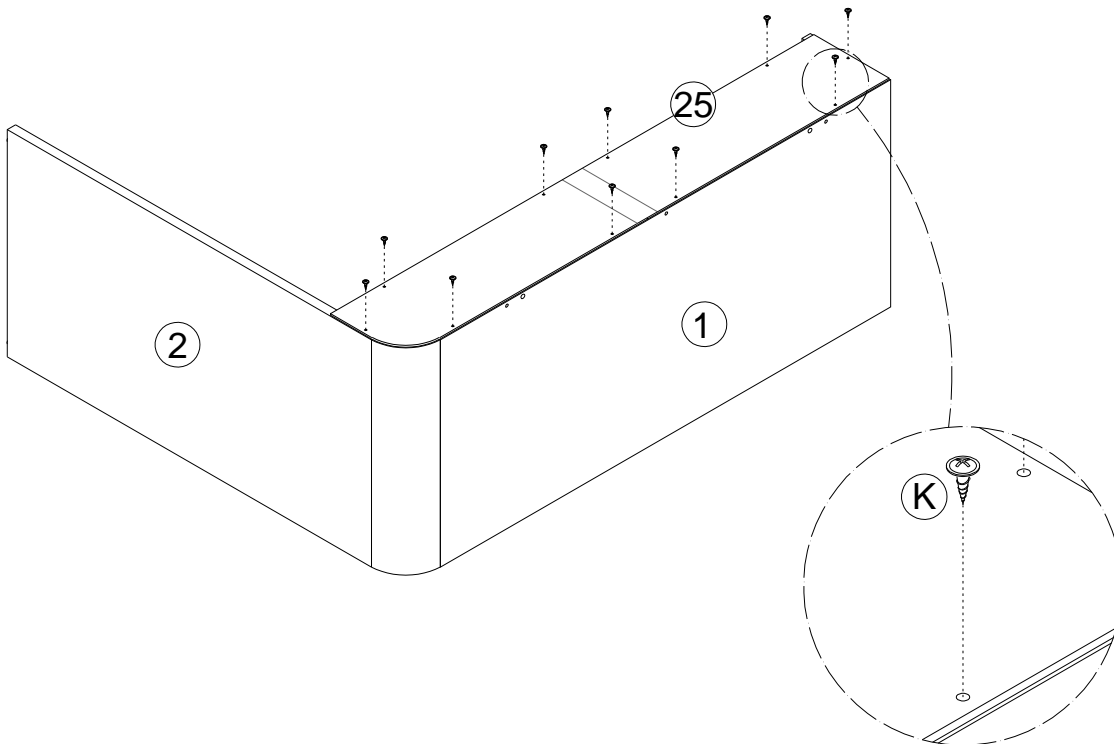
STEP 28



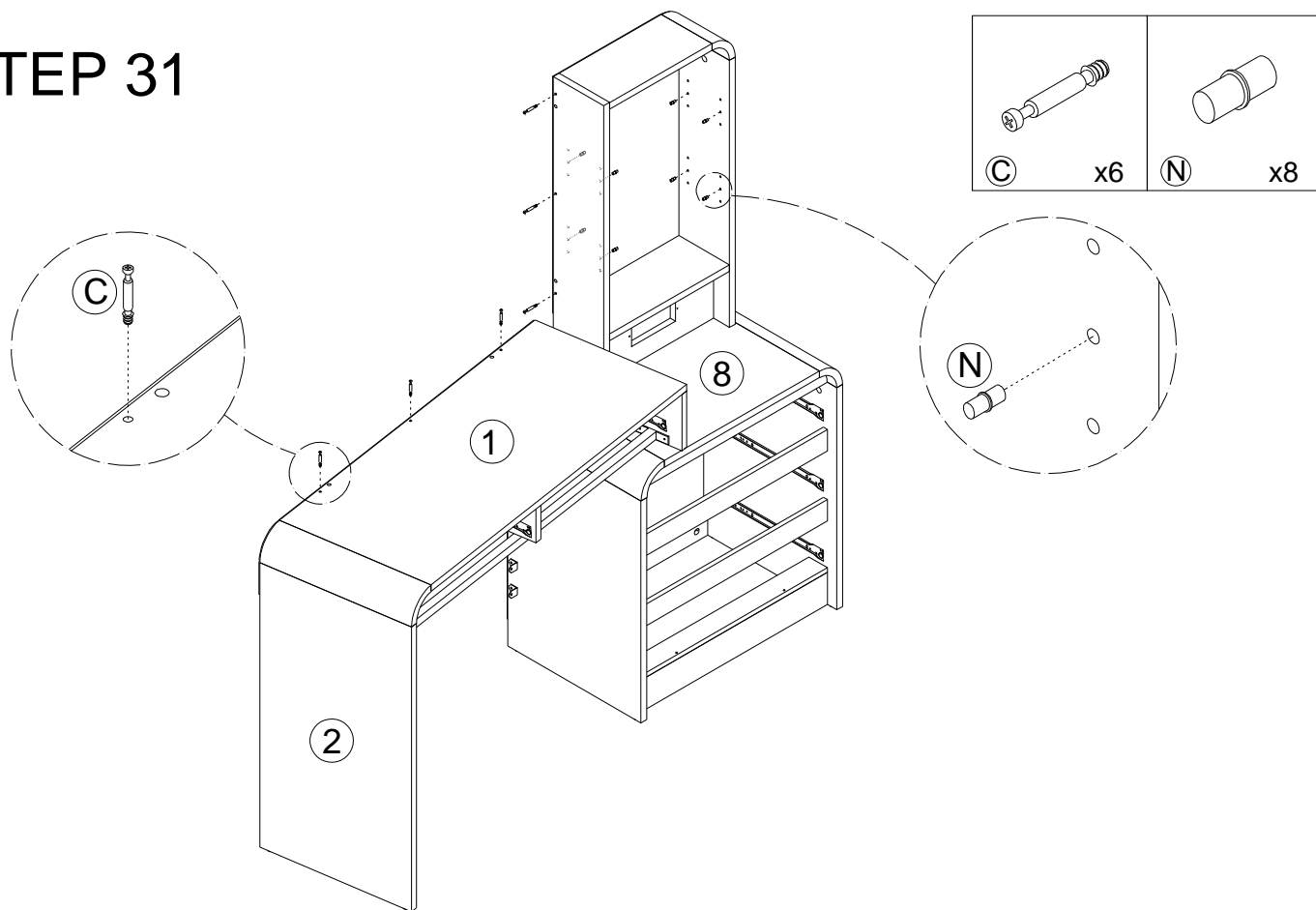
STEP 29



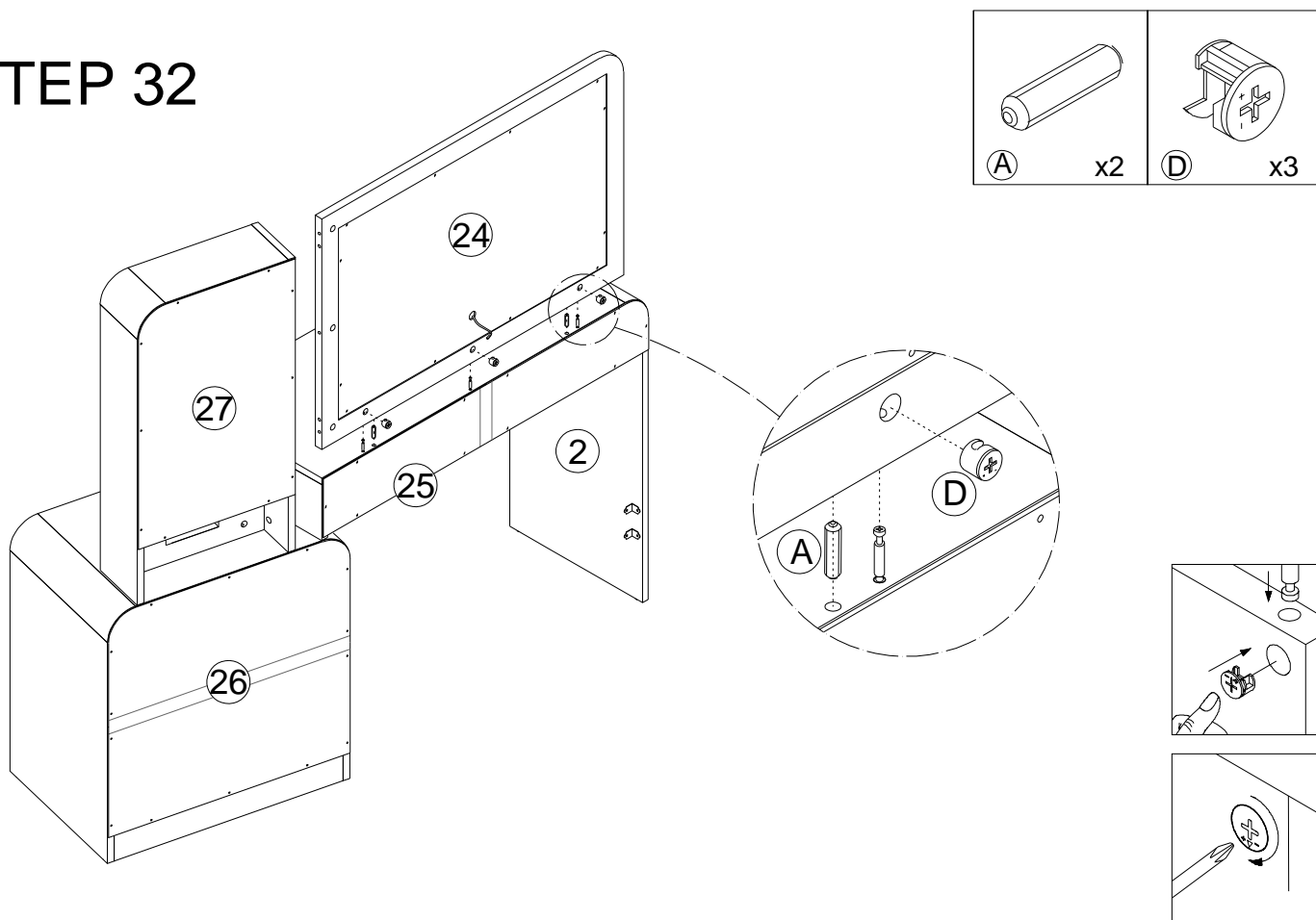
STEP 30



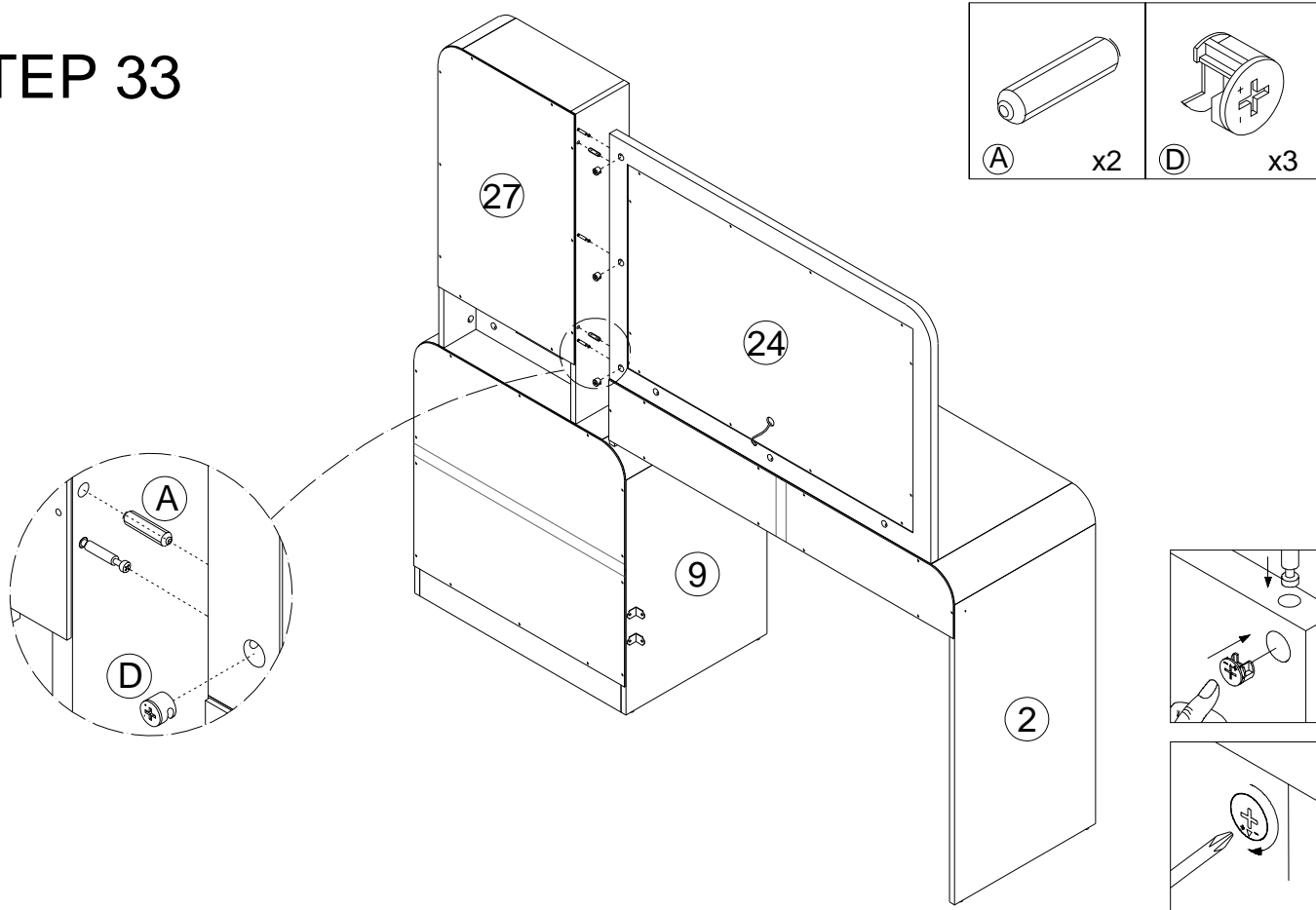
STEP 31



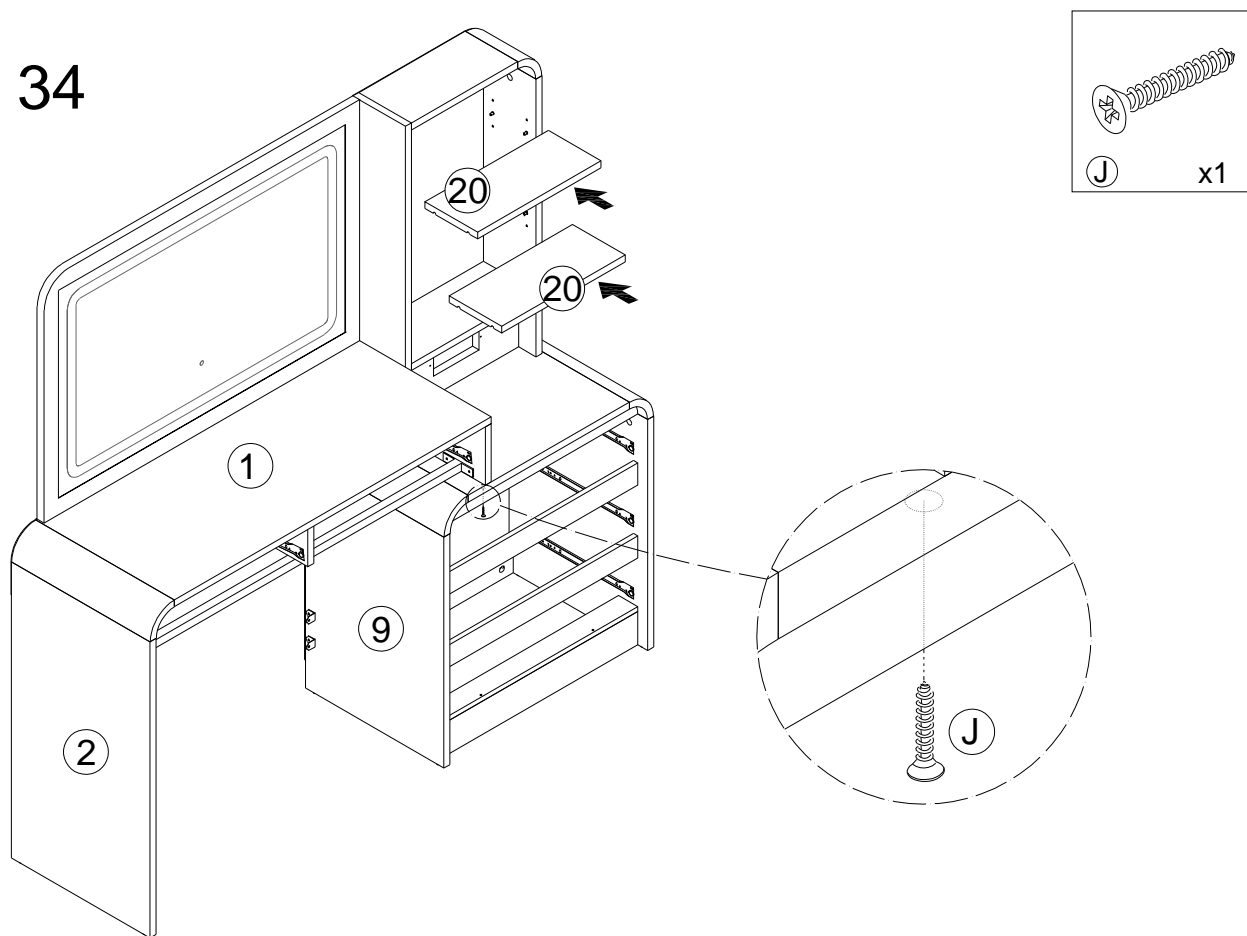
STEP 32



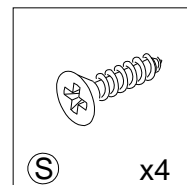
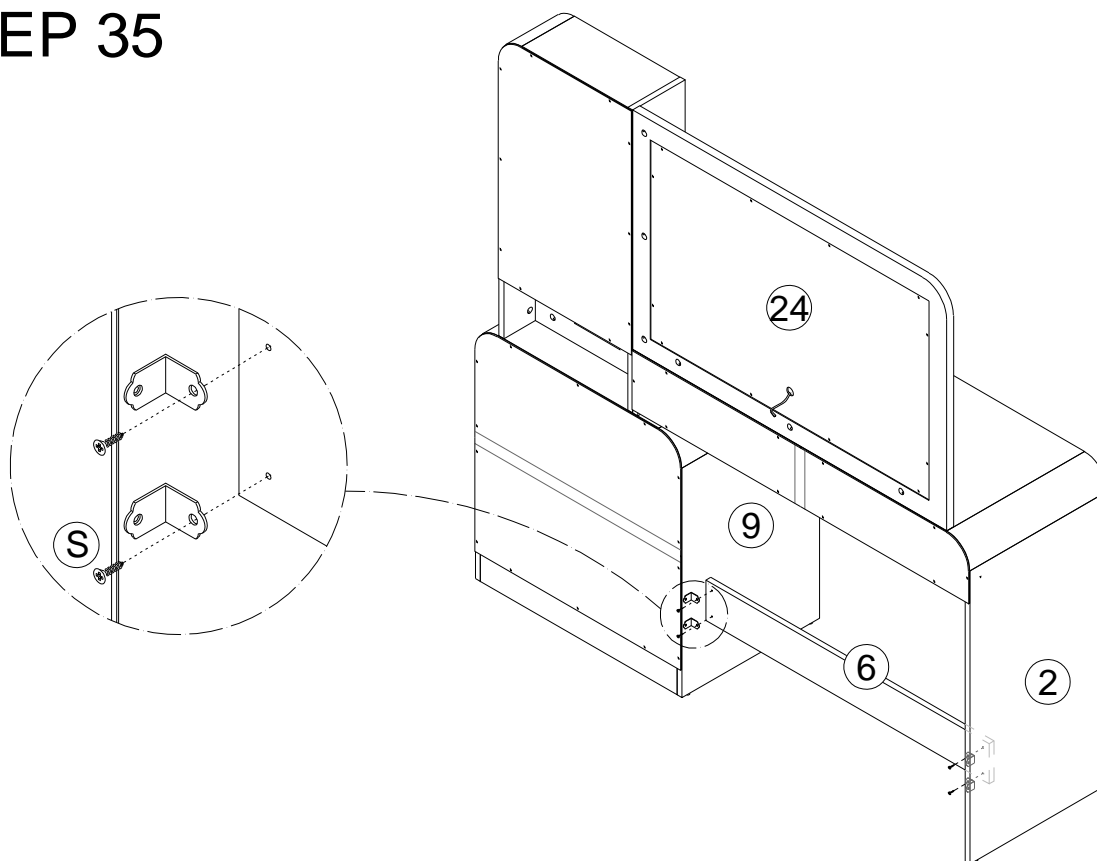
STEP 33



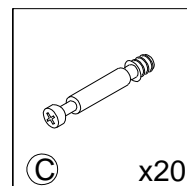
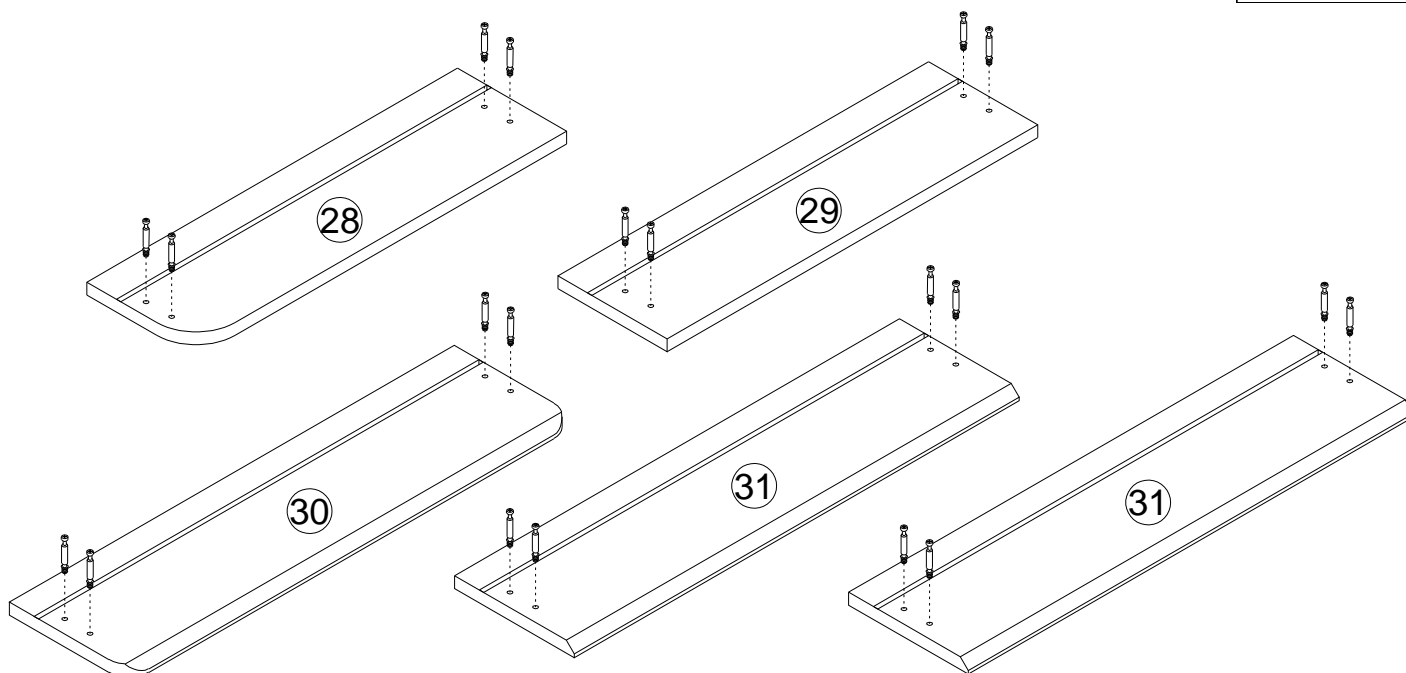
STEP 34



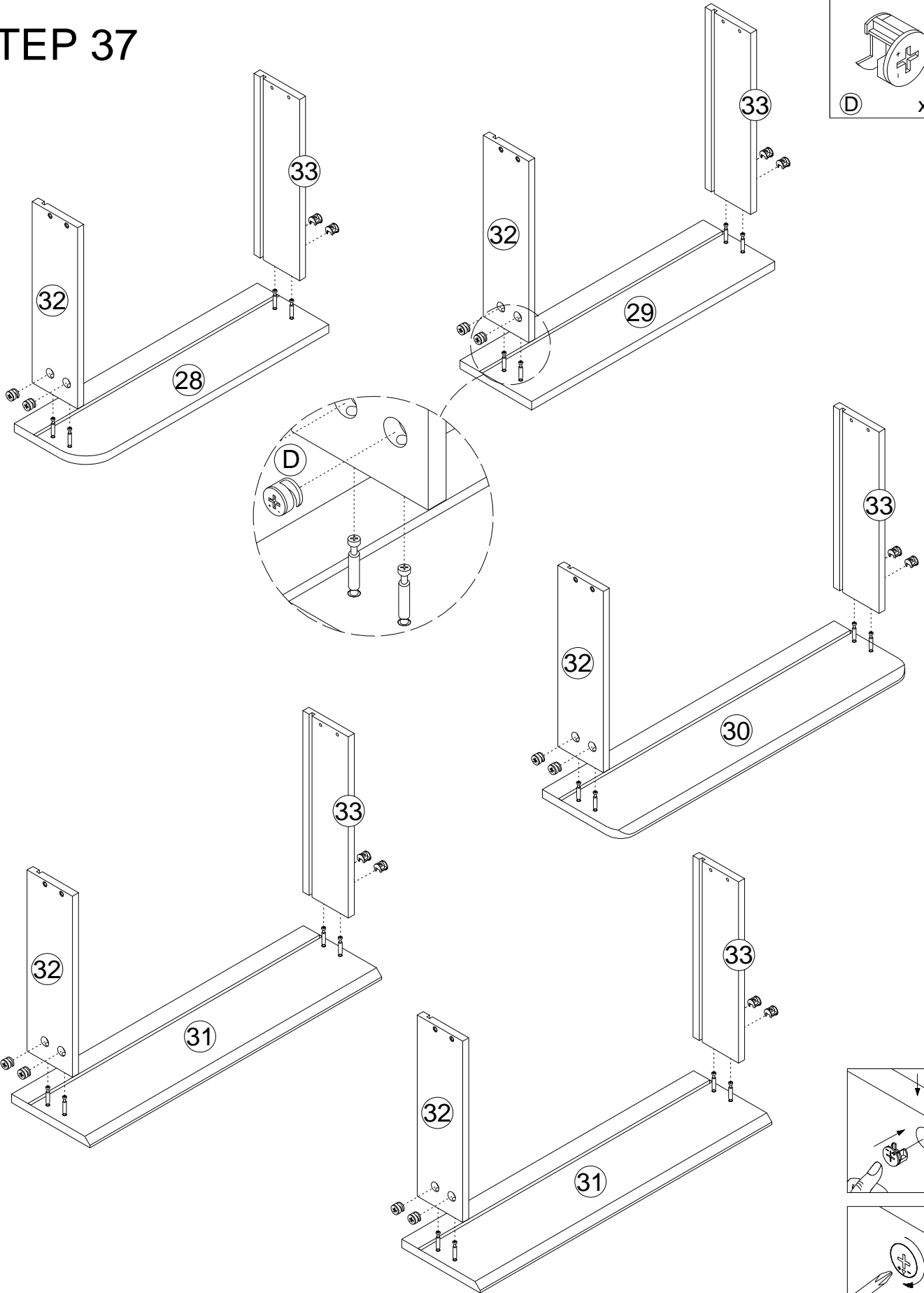
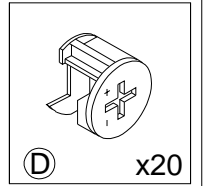
STEP 35



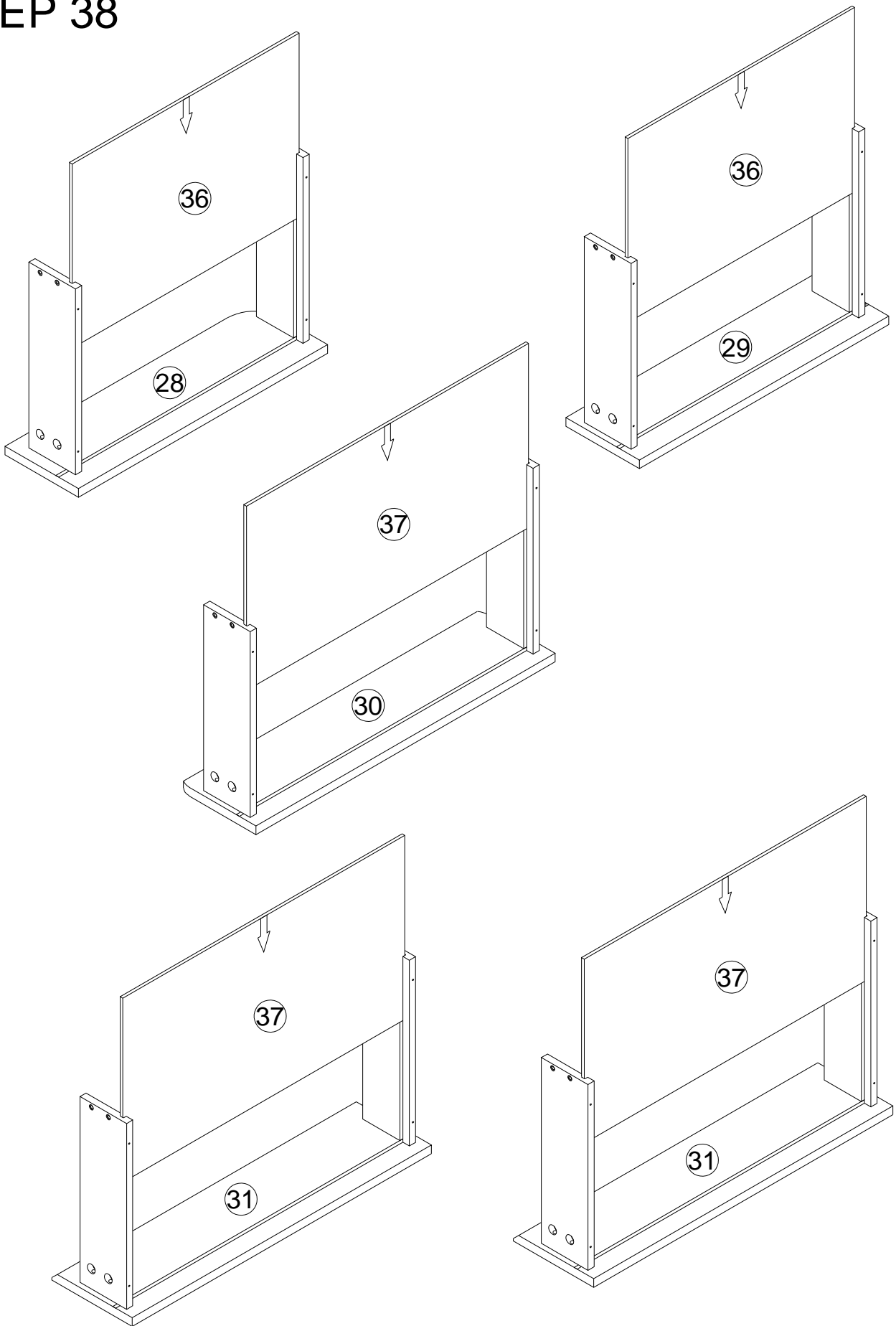
STEP 36



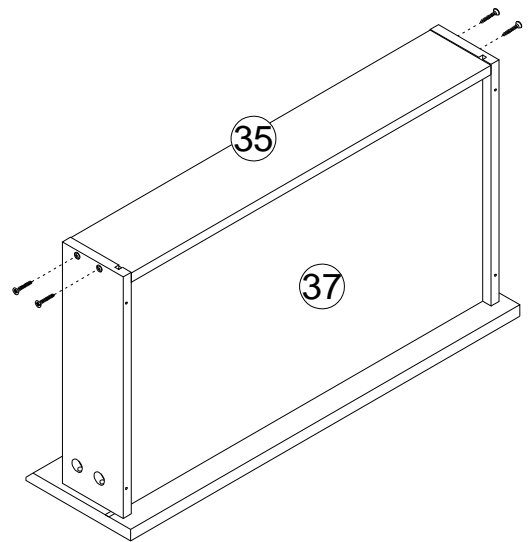
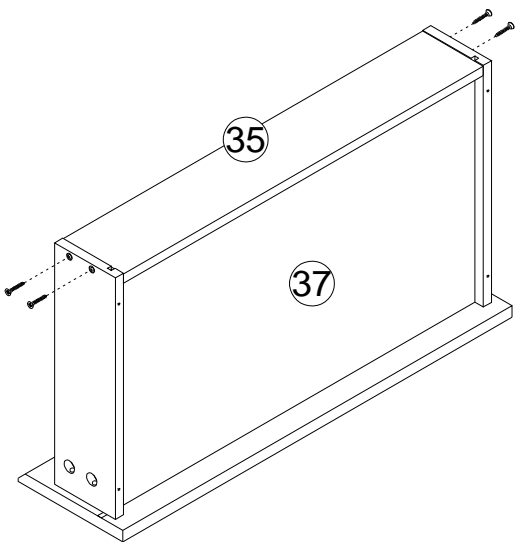
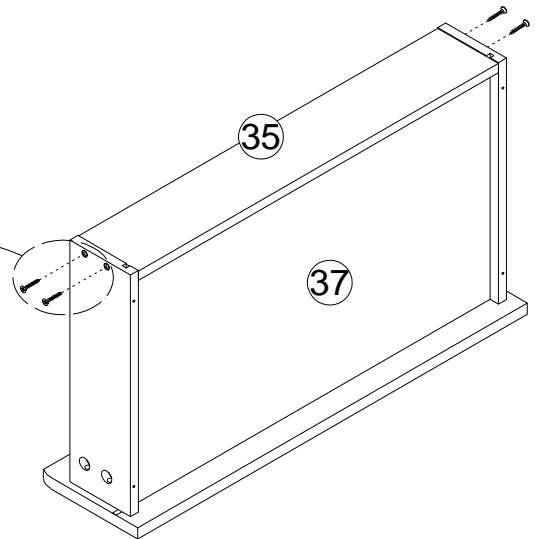
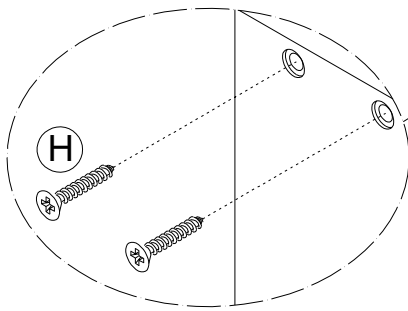
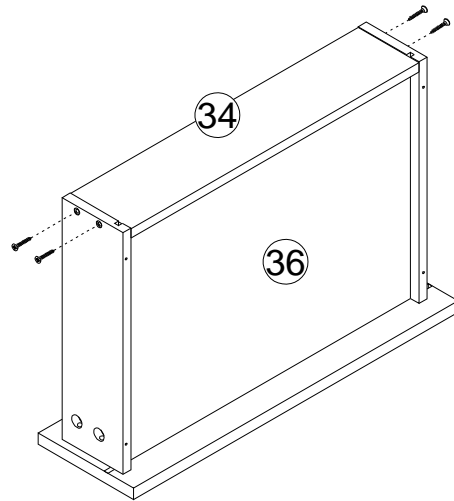
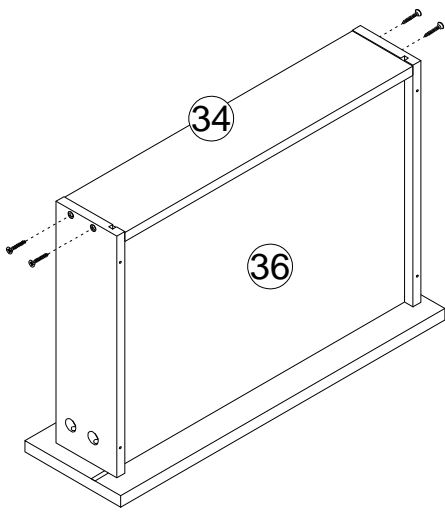
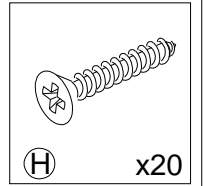
STEP 37




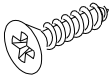

STEP 38

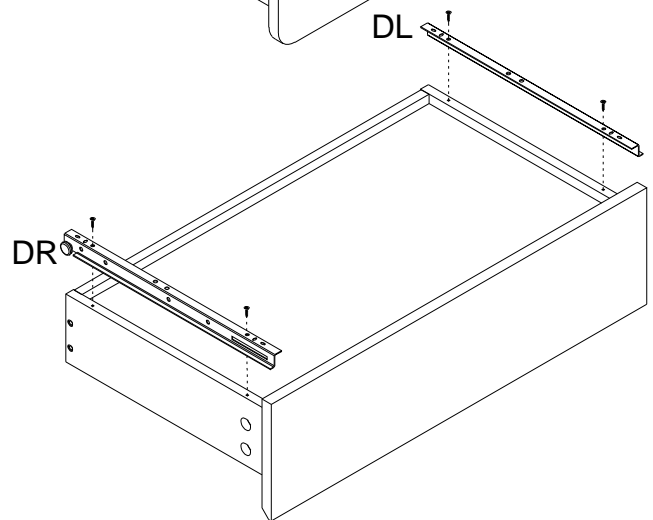
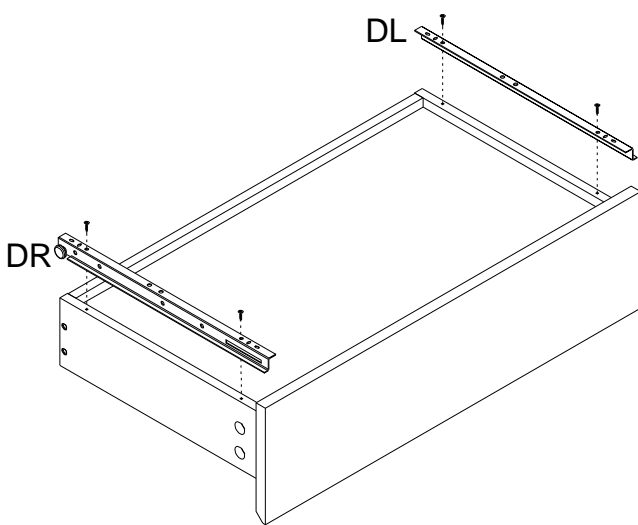
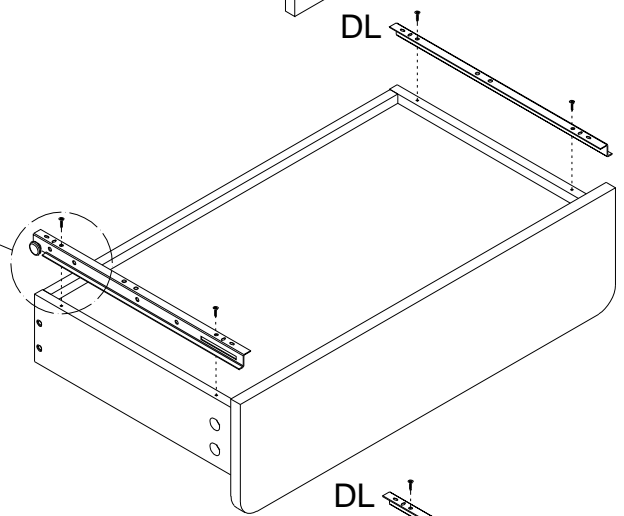
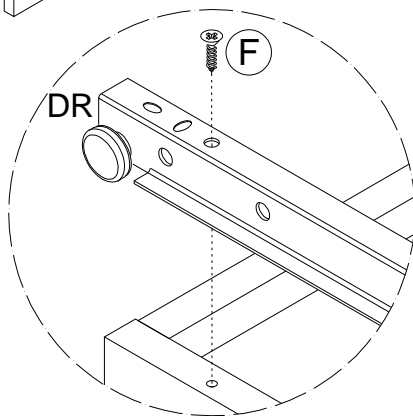
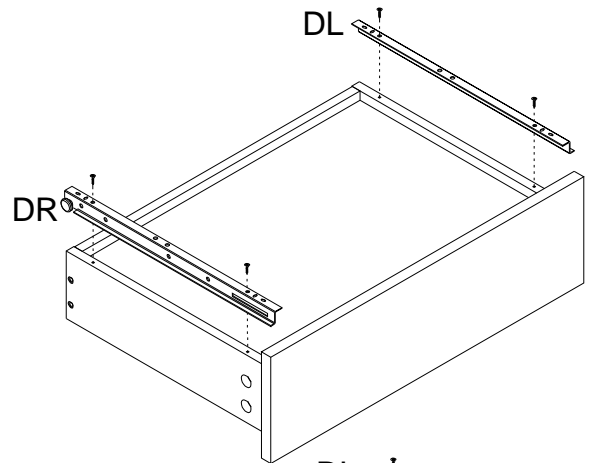
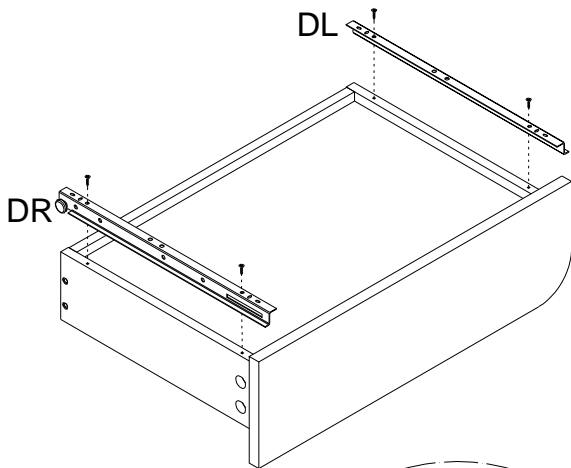
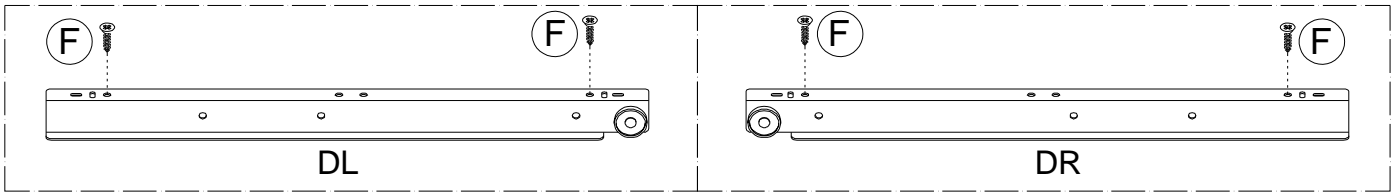


STEP 39

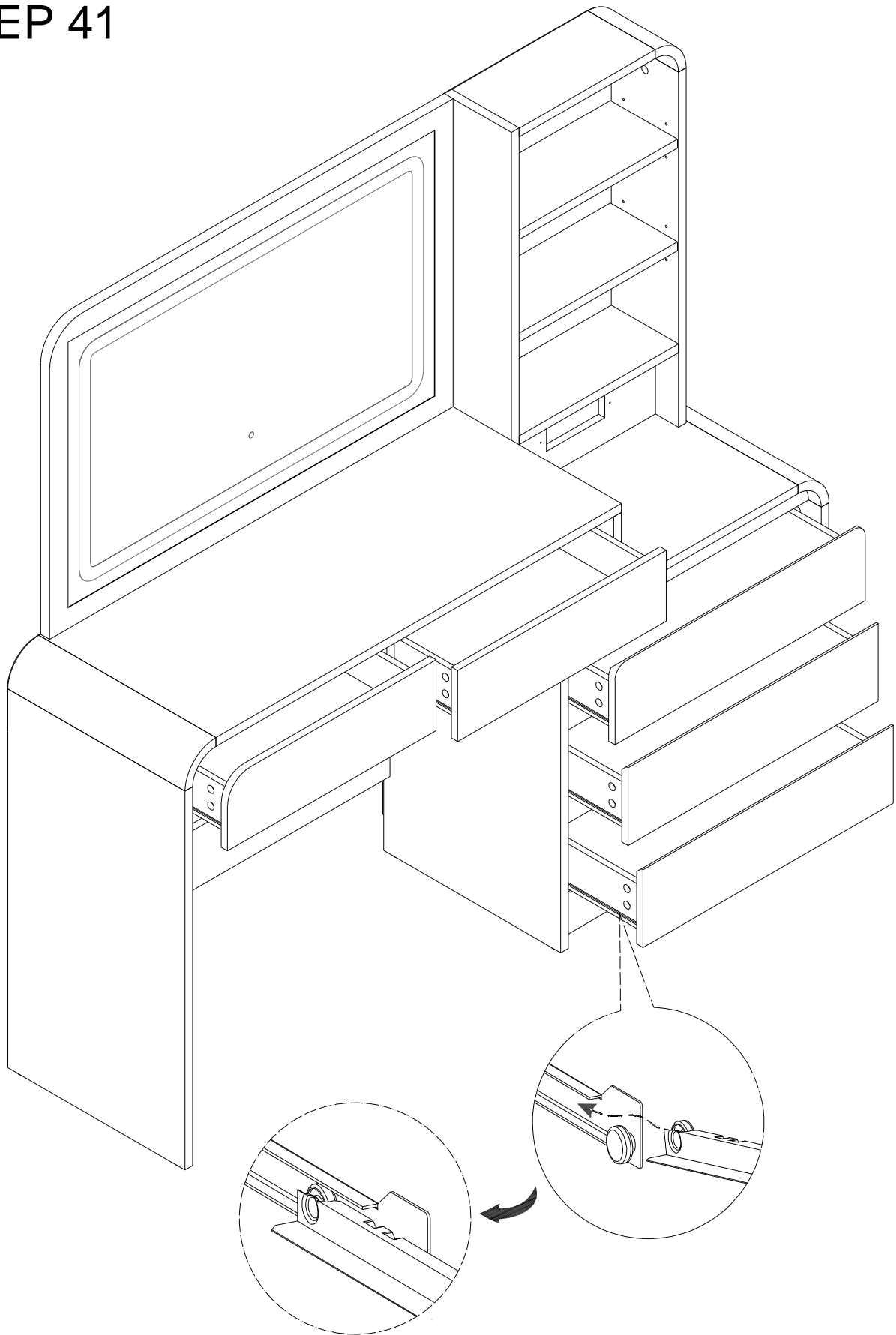


STEP 40

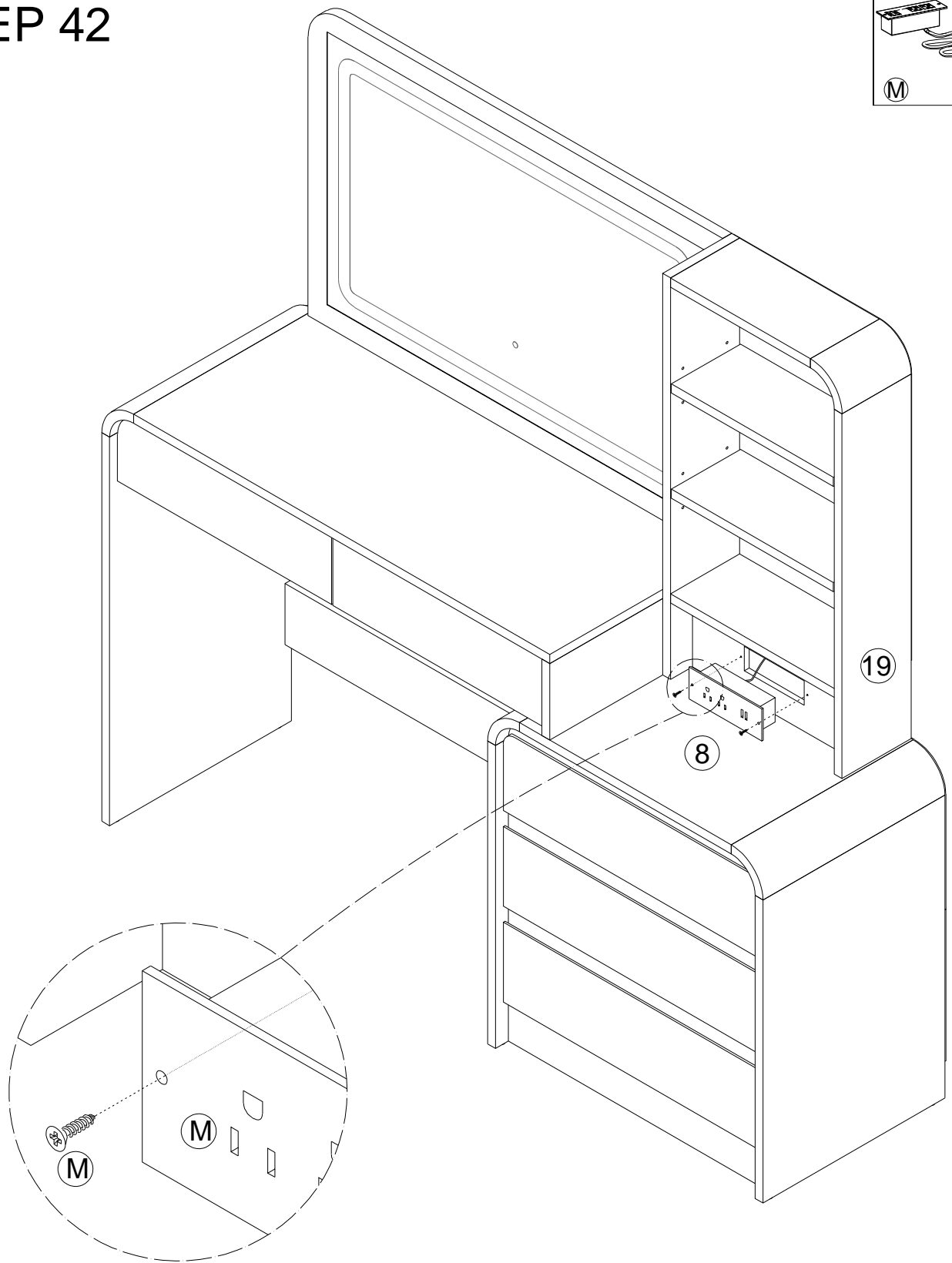
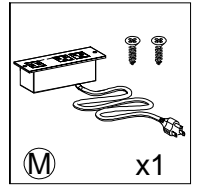
	DL		
	DR		
(E)	x5	(F)	x20



STEP 41



STEP 42



STEP 43

