

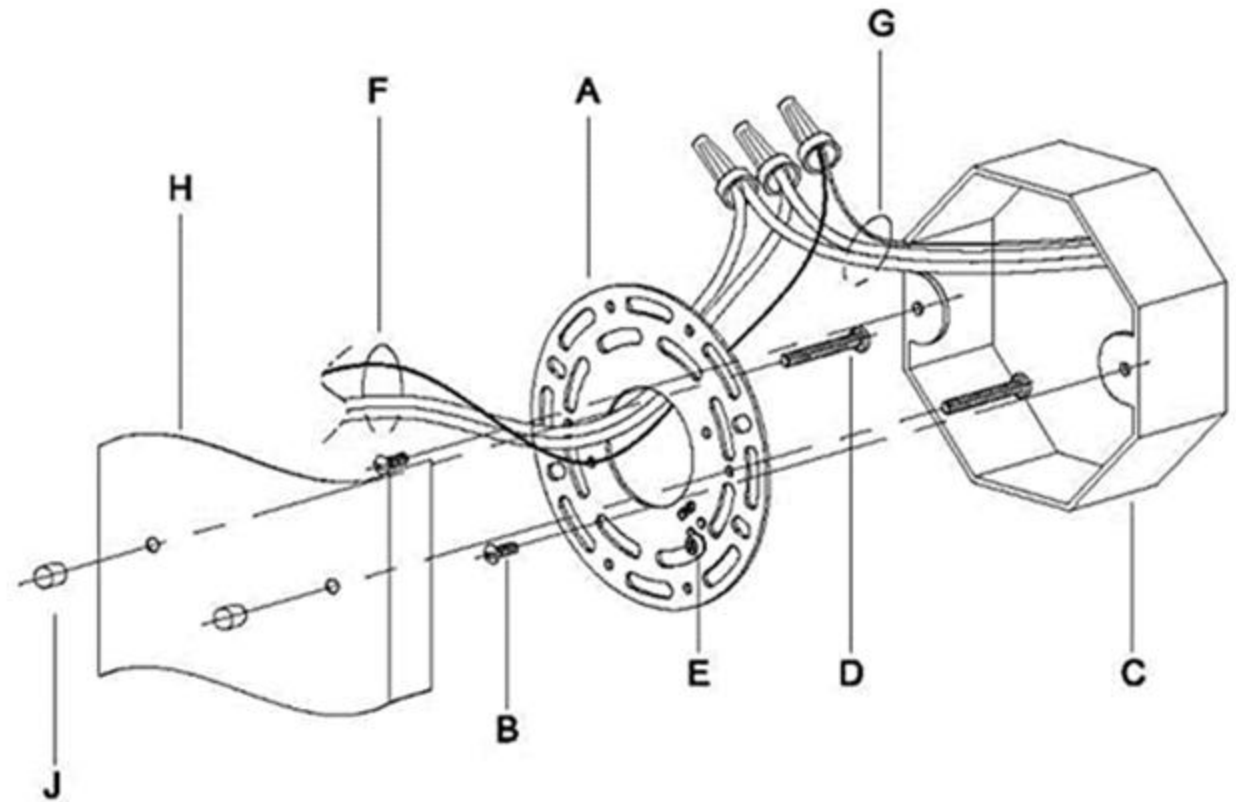
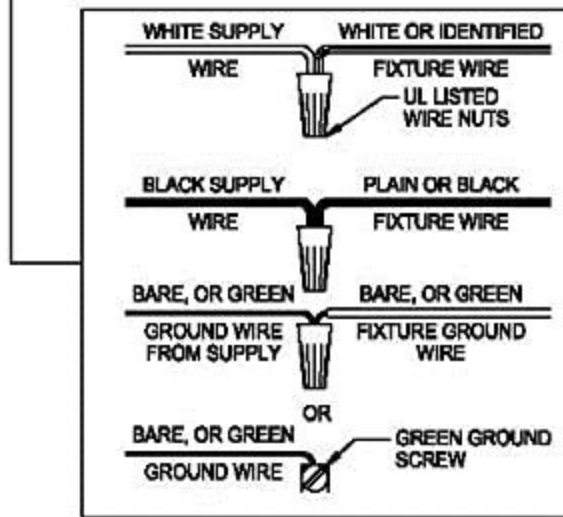
Assembly & Installation Instructions

CAUTION: Read instructions carefully and turn electricity off at main circuit breaker panel before beginning installation.

8 -Light Pendant

CANOPY MOUNTING & WIRE CONNECTION ASSEMBLY STEPS:

1. D,E → A
2. K → D
3. B,A → C
4. F → G
5. H,J → D



FIXTURE ASSEMBLY STEPS:

Install the E26 bulb after attaching the chassis to the wall



E26 Bulb



1. 2 Lamp bodies with 10CM lamp posts, 2 lamp bodies with 12CM lamp posts
2. And stagger it onto the bottom box

After power failure, connect the main line, the black line is positive, the white line is negative