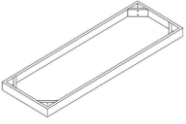



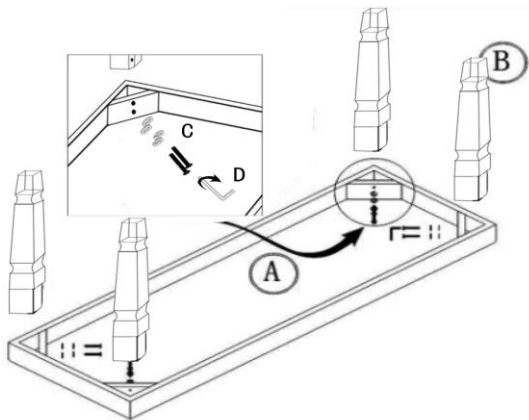


Assembly Instructions

Laying out all the parts and hardware and identifying each part as shown may help you as you assemble the bench.

ITEM	PART	DESC.	QTY
A		Bench Top	1 PC
B		Acrylic Leg	4 PCS

ITEM	PART	DESC.	QTY
C		Screw and Round washer	8 sets
D		Allen Wrench	1 PC



FULL VIEW

Step 1: Turn bench top (A) upside down on a clean, dry and soft surface.

Step 2: Insert the acrylic leg (B) on the bench top.

Step 3: Tighten bench top and the legs by screw and round washer (C) with allen wrench (D)

Step 4: Turn the bench over and place on the floor to test bench for stability before use.