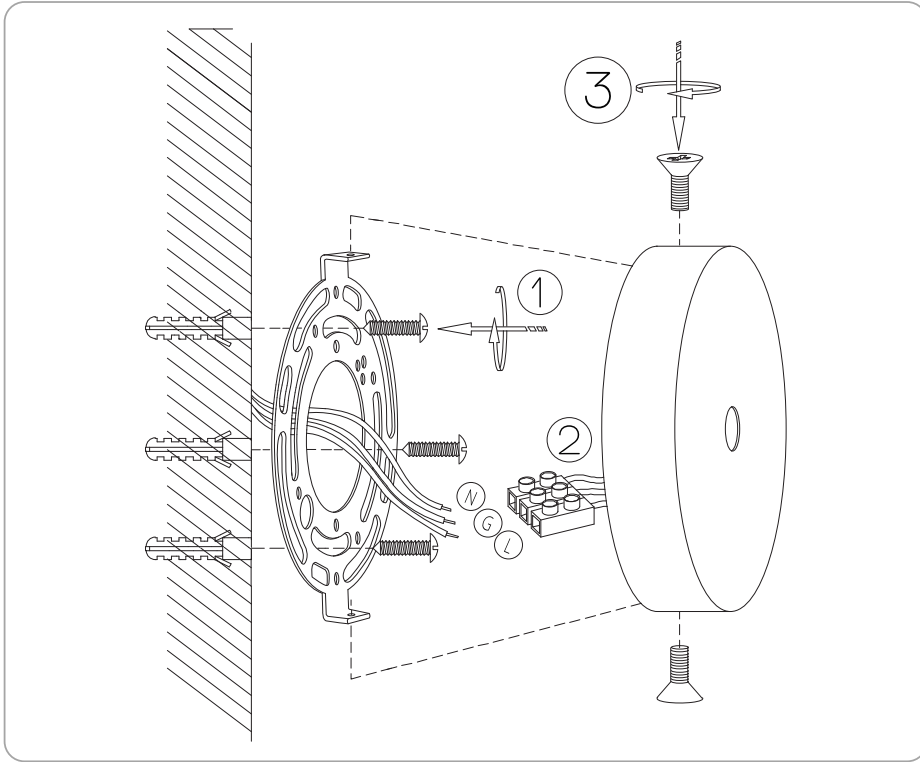


## ■ Ceiling Base Assembly



- ① Fix the hanging bracket on the ceiling or wall by screws clockwise. (See the picture).
- ② After turning off the power, connect the electric wires to the right terminals.
- ③ Fix the base to the corresponding screw holes in the hanging bracket with screws (Figure).



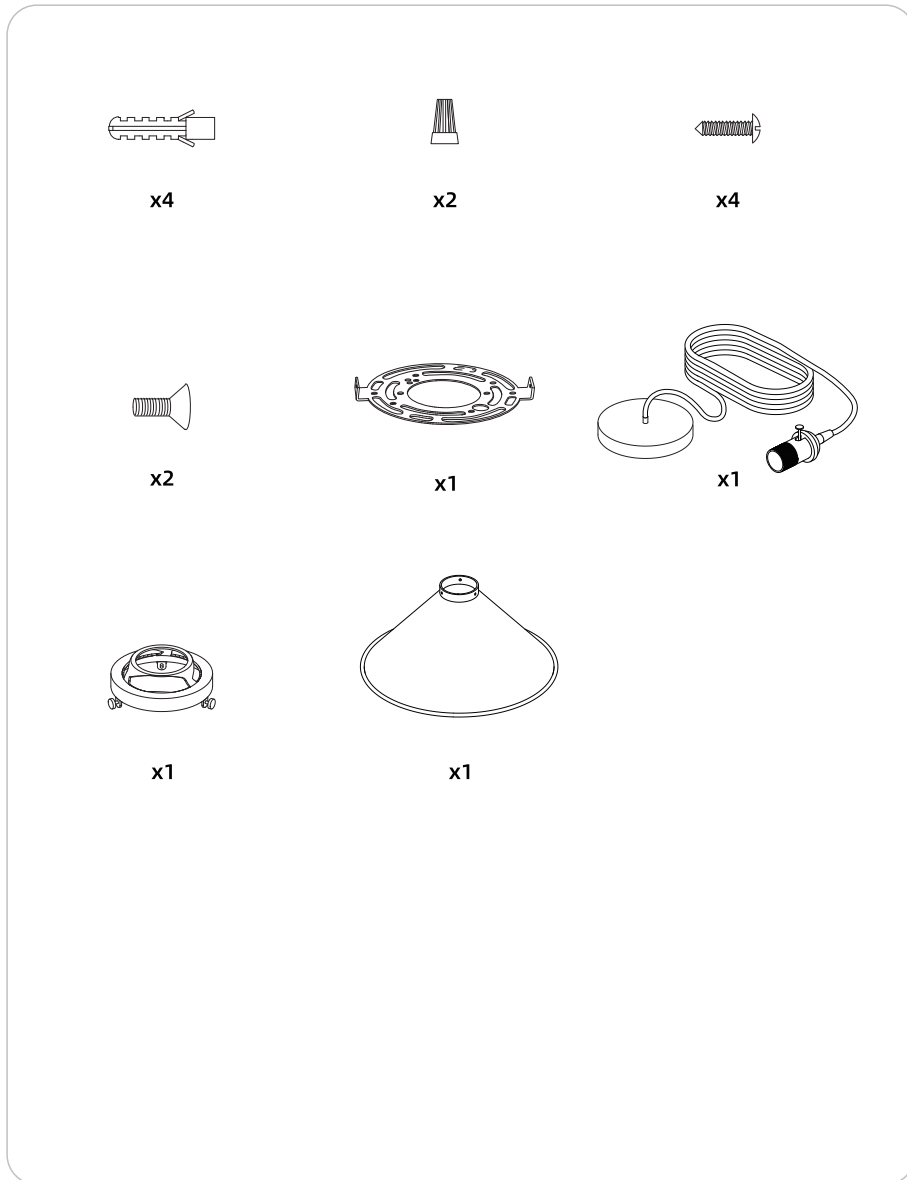
# PENDANT LIGHT

## INSTRUATION MANUAL

note: If you found the damaged accessories please contact us for free replacemten

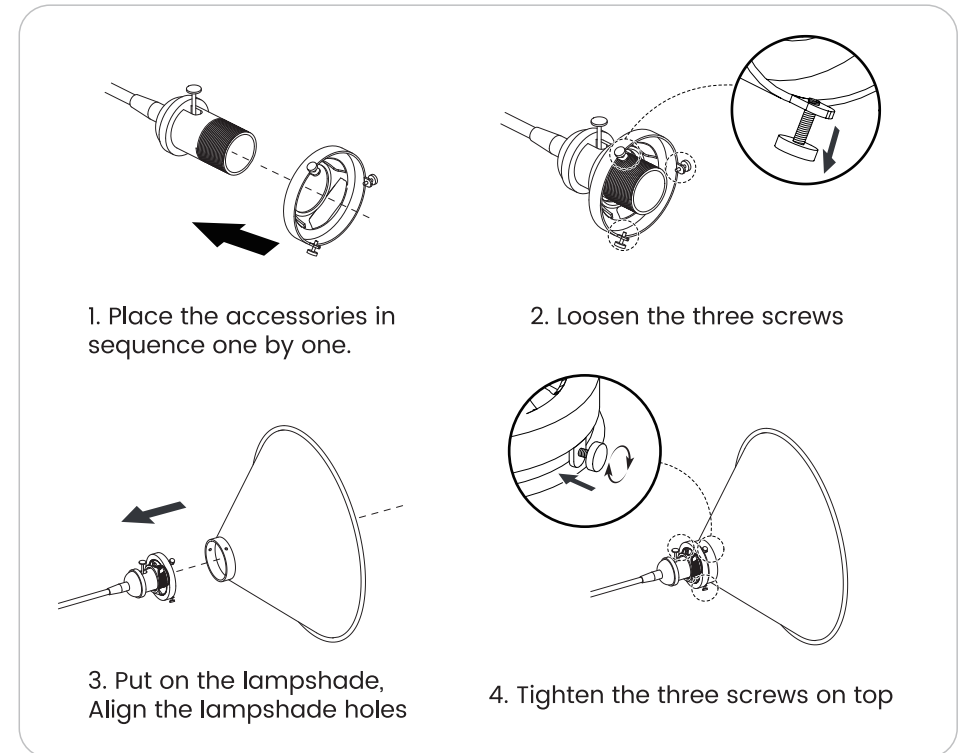
# Product Parts

## ■ Classic Model



# Lamp shade and switch

## ■ Lamp cover assembly



## ■ Installation Complete

