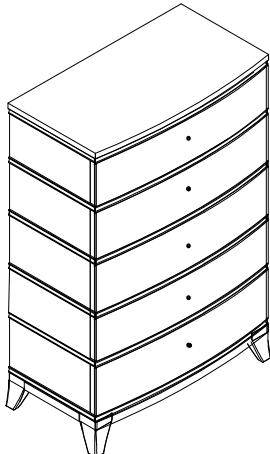




STANLEY

FURNITURE

ASSEMBLY INSTRUCTIONS

Item# 901-T1-004A,B - CHEST OF DRAWERS

No.	PARTS NAME	Q.ty (pcs)
(A)		1

No.	LIST OF HARDWARE	Q.ty (pcs)
①	 Handle	5
②	 Bolts M4x45	5

STEP 1

