

ASSEMBLY INSTRUCTIONS



Fine Furniture for every stage of life

ACCENT CHAIR

REVISION 0 : 09/08/2025

PAGE 1 OF 4

ASSEMBLY INSTRUCTIONS

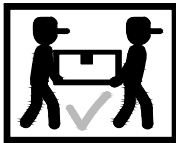
ASSEMBLY TIPS:

- 1. Remove hardware from box and sort by size.
- 2. Please check to see that all hardware and parts are present prior to start of assembly.
- 3. Please follow attached instructions in the same sequence as numbered to assure fast & easy assembly.



WARNING !

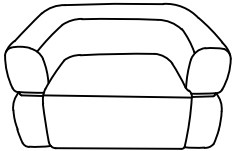
- 1. Don't attempt to repair or modify parts that are broken or defective. Please contact the store immediately.
- 2. This product is for home use only and not intended for commercial establishments.



ASSEMBLY TIME **5 MINUTES**

PARTS IDENTIFICATION

A. CHAIR



1PC

B. LEG



4PCS

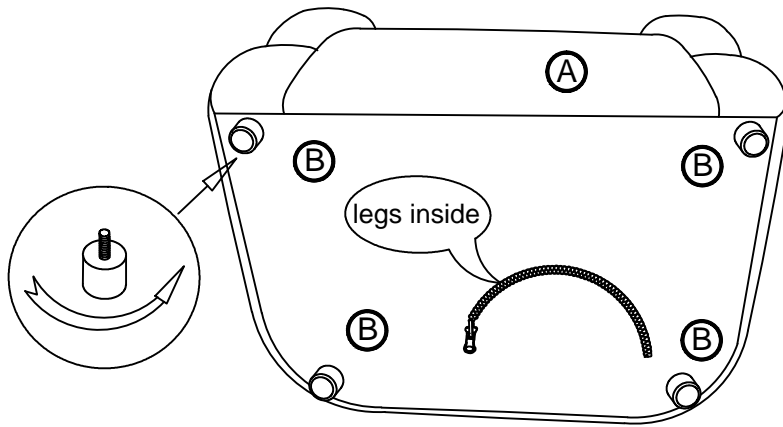
C. PATTERNED
PILLOW



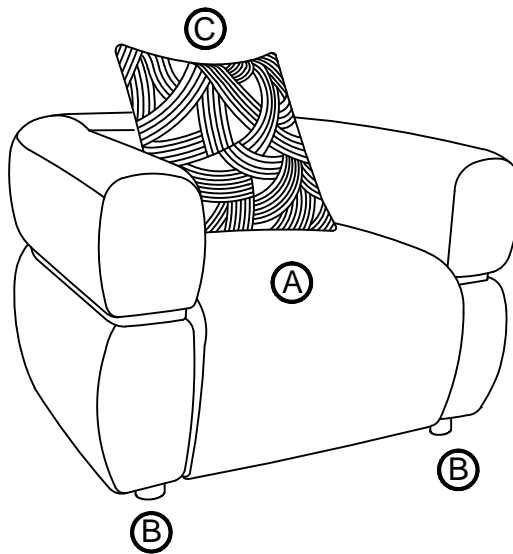
1PC

ASSEMBLY INSTRUCTIONS

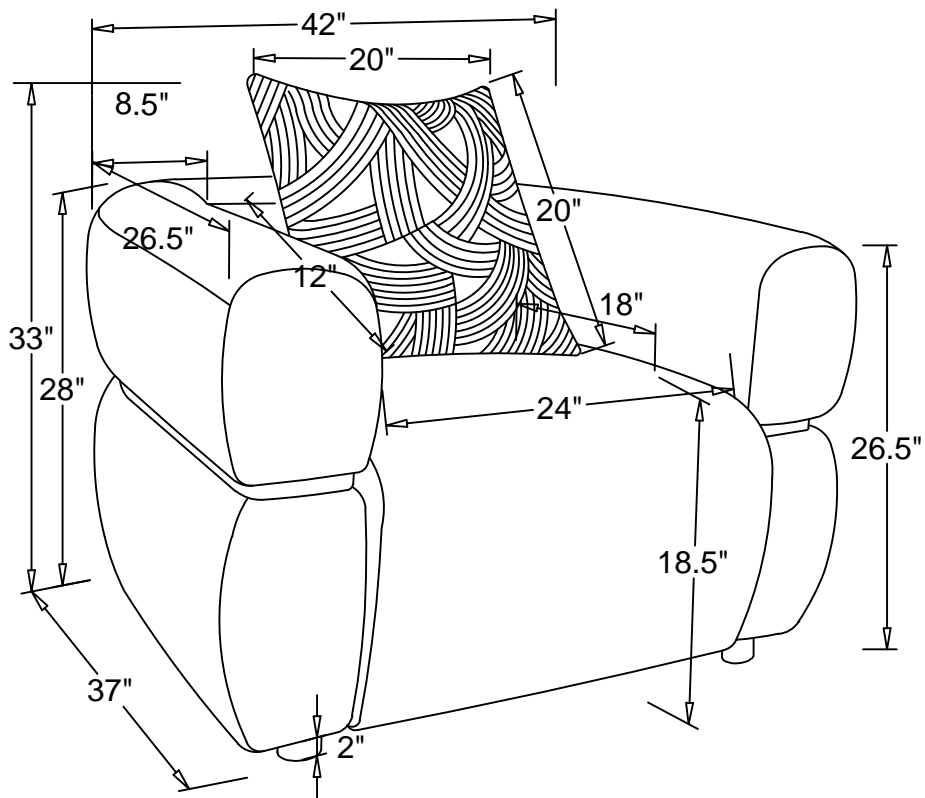
STEP 1



STEP 2



ASSEMBLY INSTRUCTIONS



Note: Dimension tolerance $\pm 5\%$

