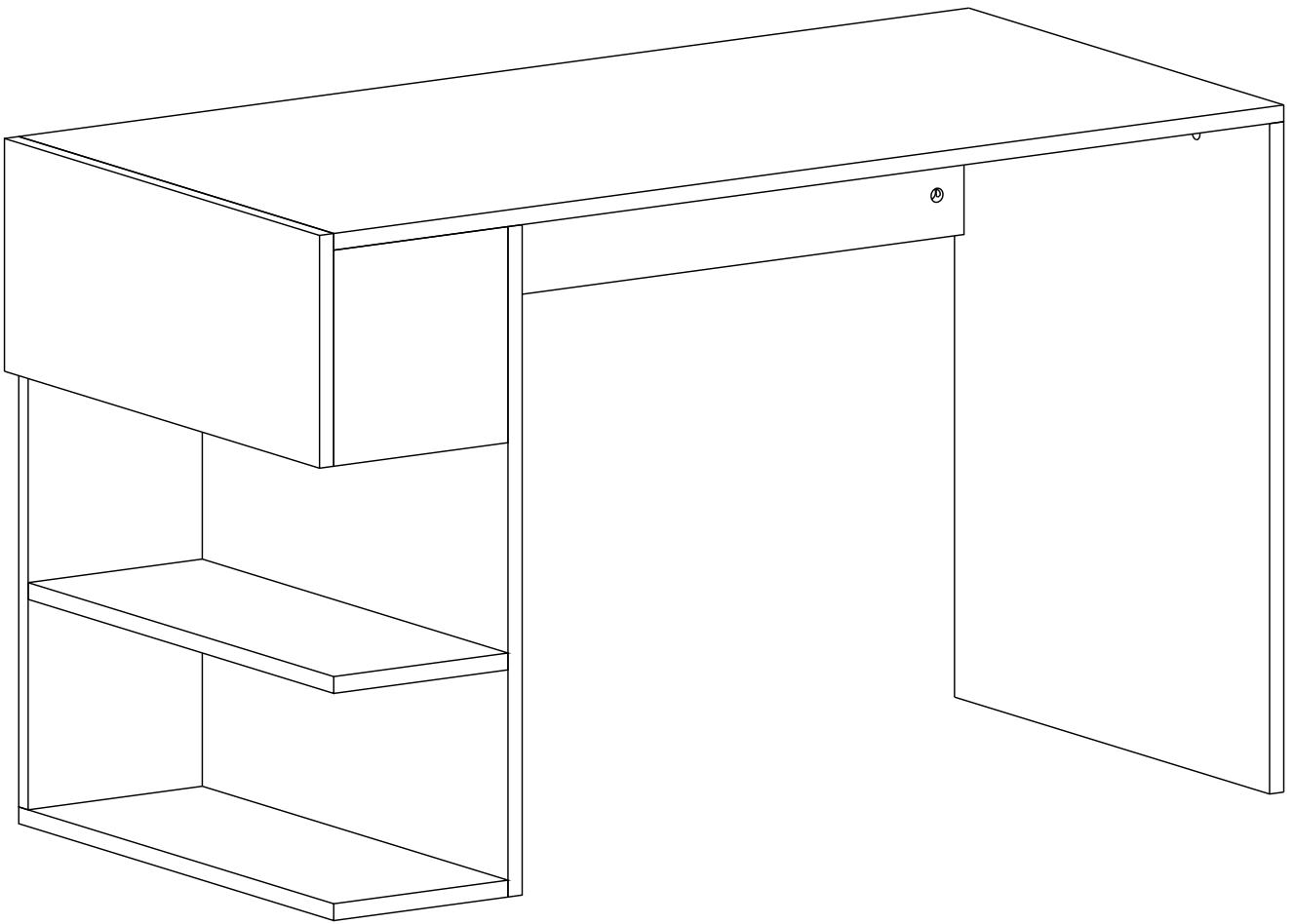
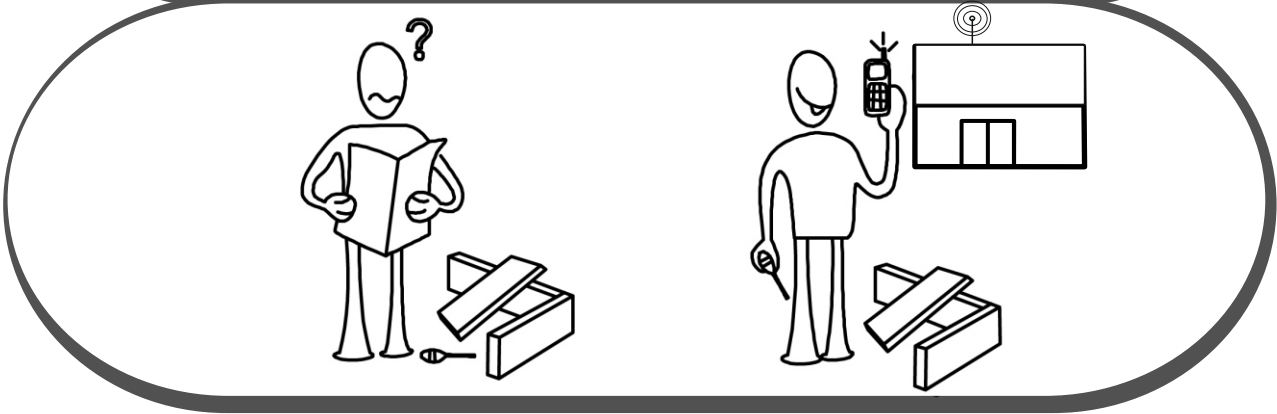
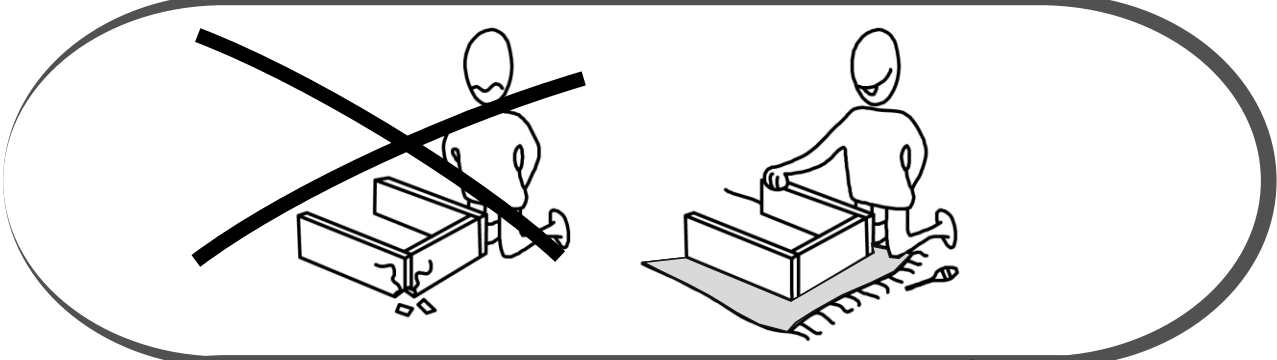
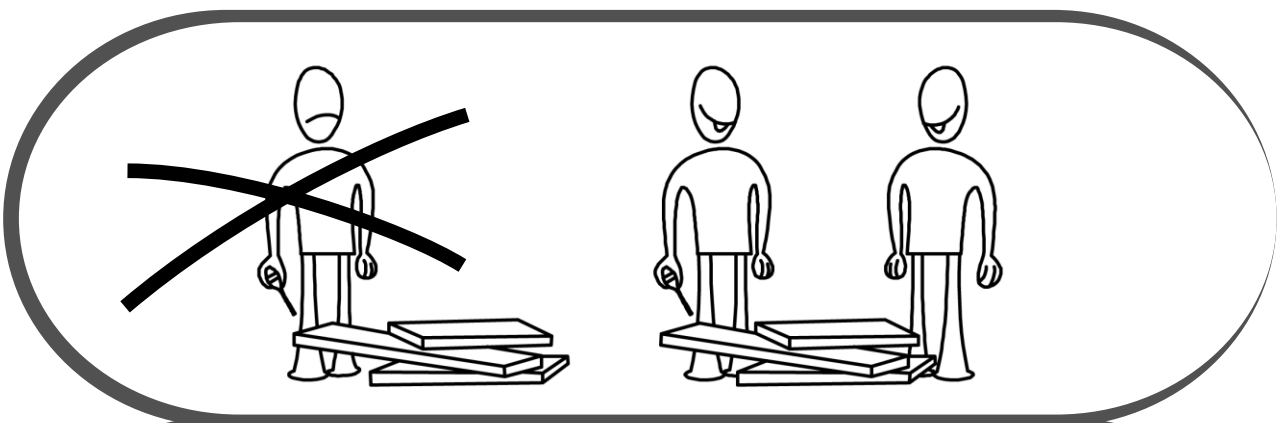


---

# ASSEMBLY MANUAL

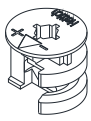




# ATTENTION!!

Minifix is the main connection material used in our products. Before starting assembly, please check the drawings below...

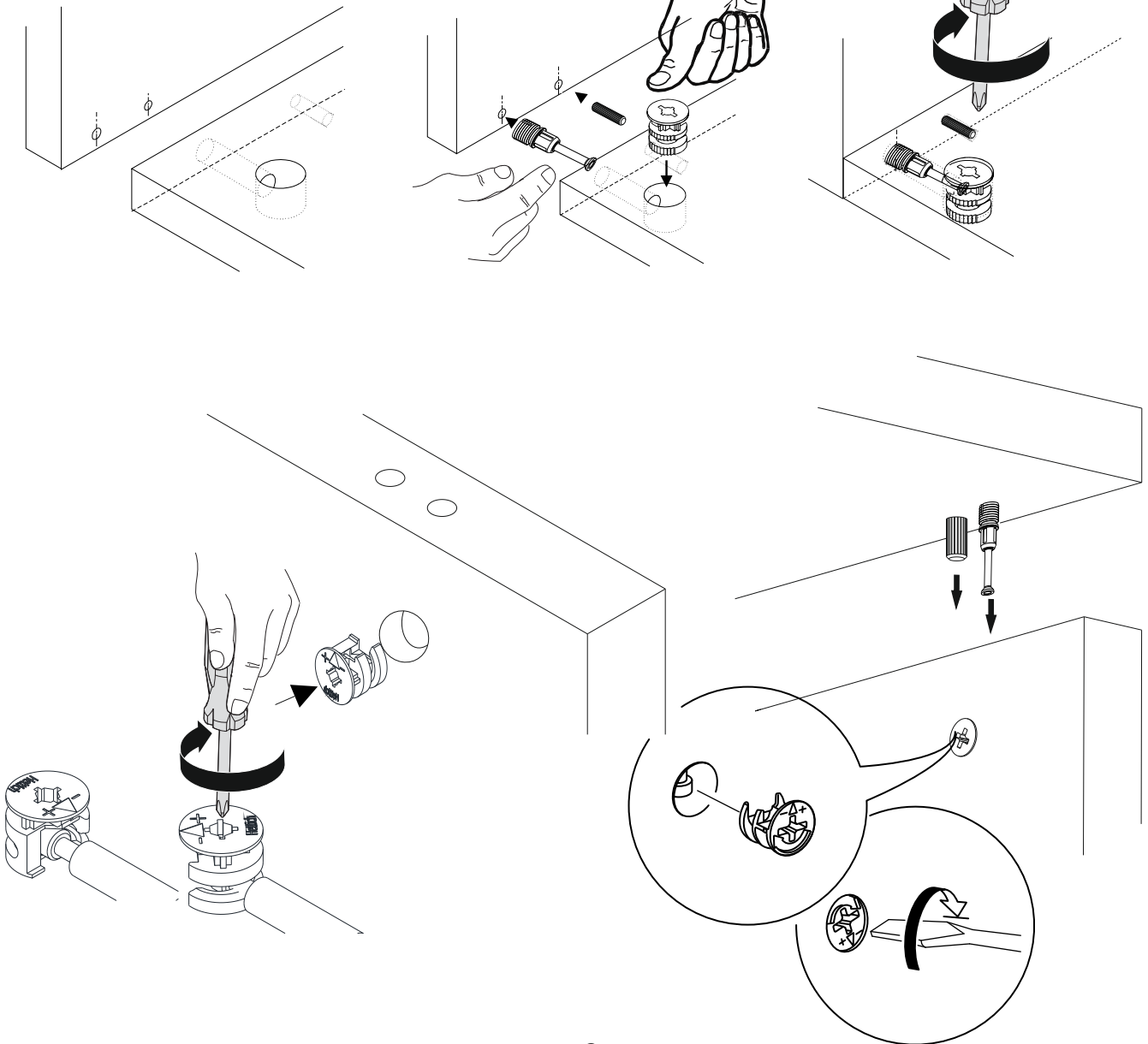
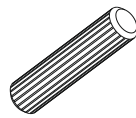
Minifix Body

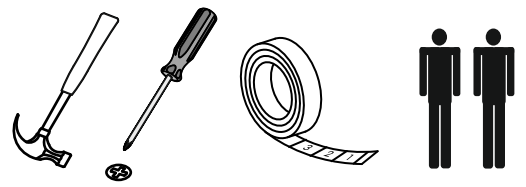


Minifix





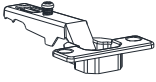
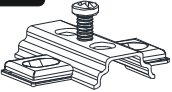

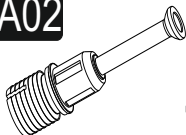
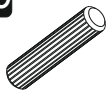
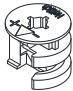

Dowel



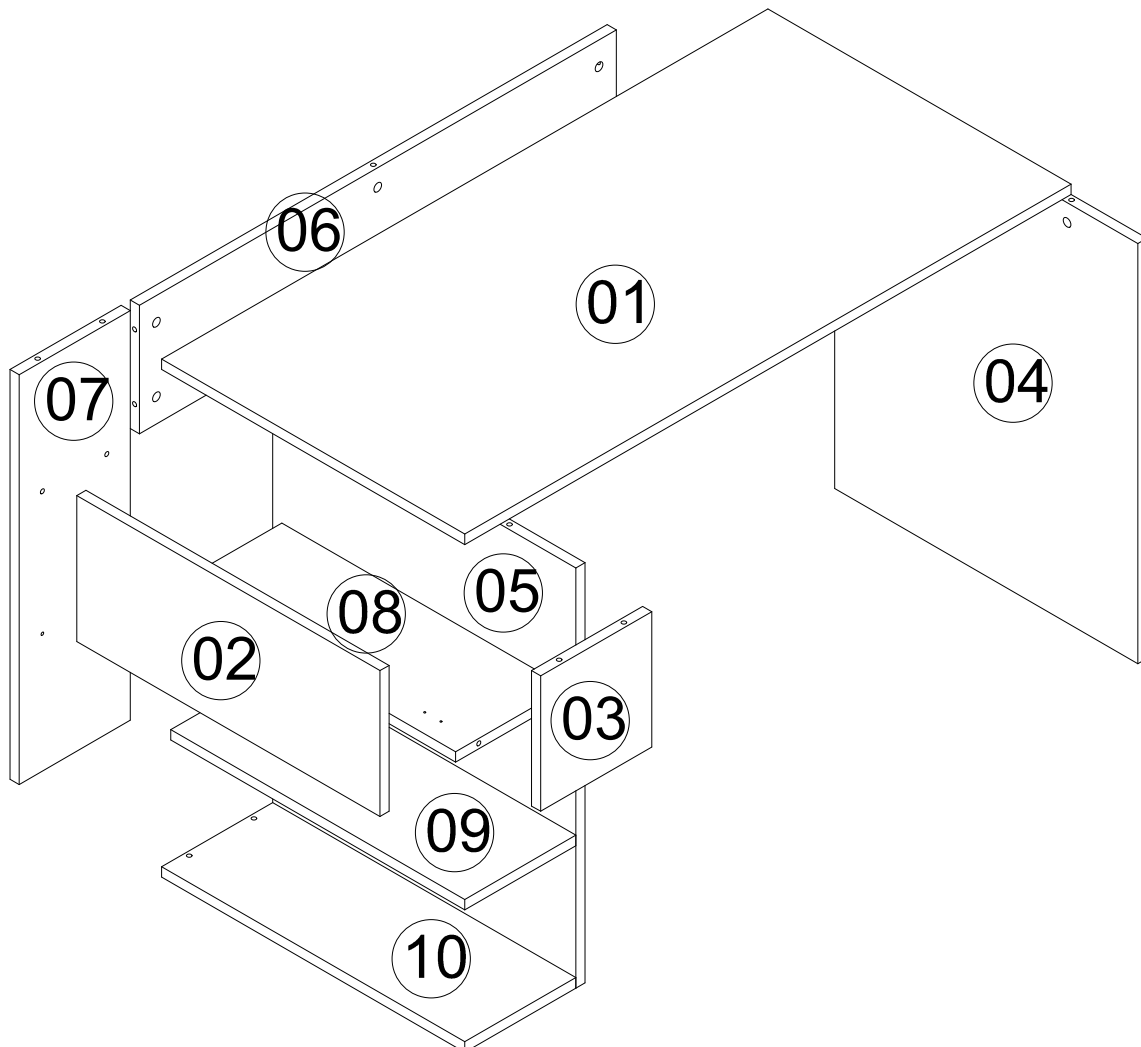


The necessary tools (not included)

## ACCESSORY LIST

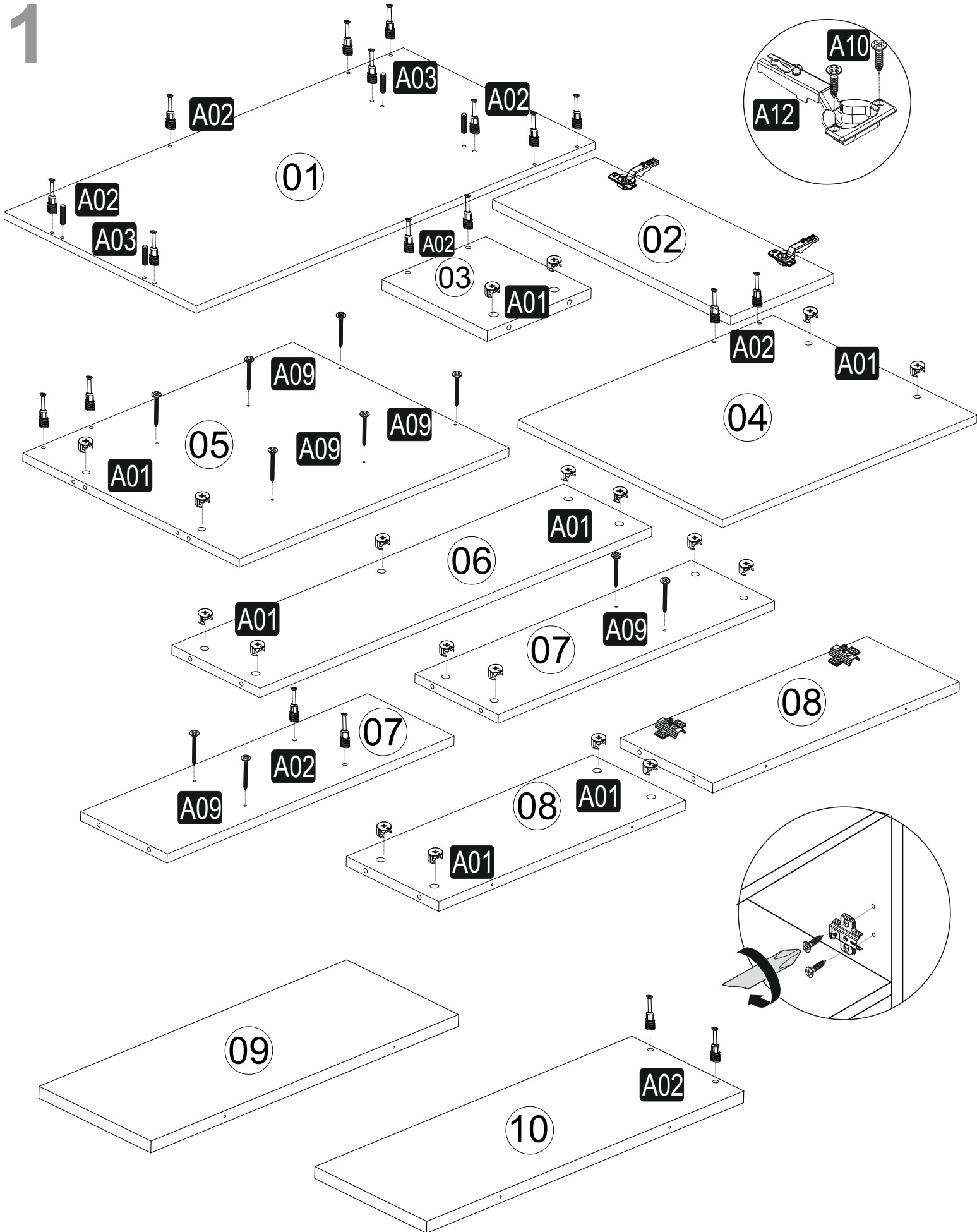
<b>A09</b> 4x50 YHB  <b>8x</b>	<b>A10</b> 3,5x18 YHB  <b>8x</b>	<b>A12</b>  <b>2x</b>	<b>A13</b>  <b>2x</b>	<b>A16</b>  <b>A 8x</b>
<b>A02</b>  <b>19x</b>	<b>A03</b>  <b>4x</b>	<b>A01</b>  <b>19x</b>	<b>A04</b>  <b>A 15x</b> <b>D 4x</b>	

## GENERAL VIEW

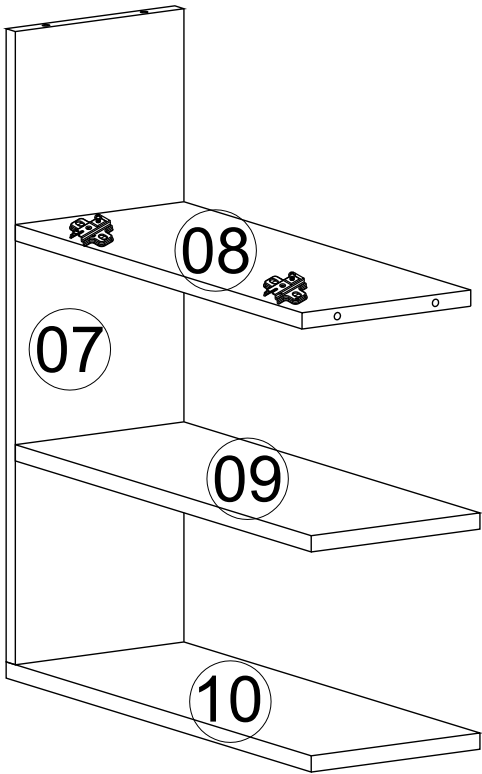


# ASSEMBLY MANUAL

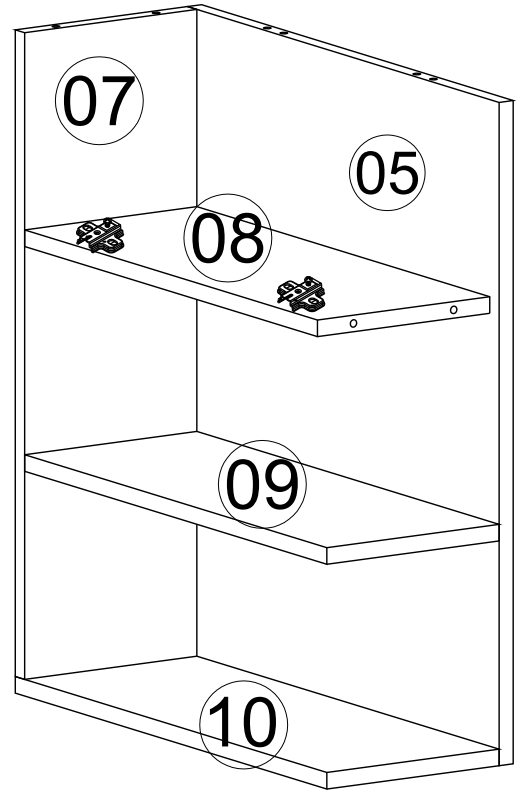
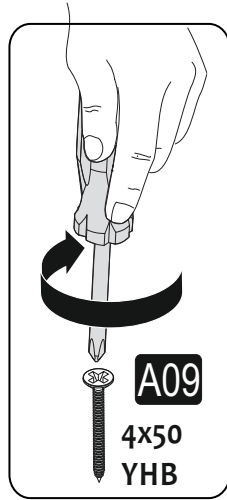
1



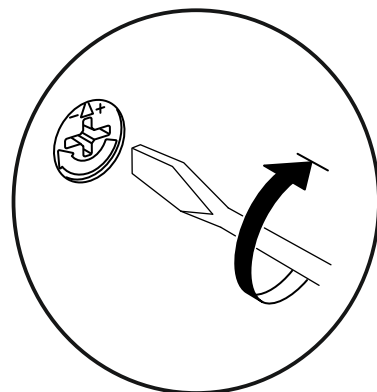
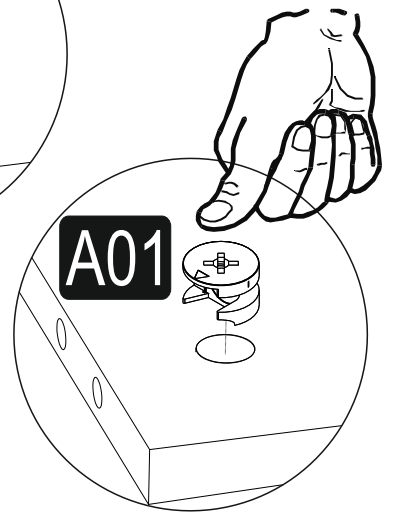
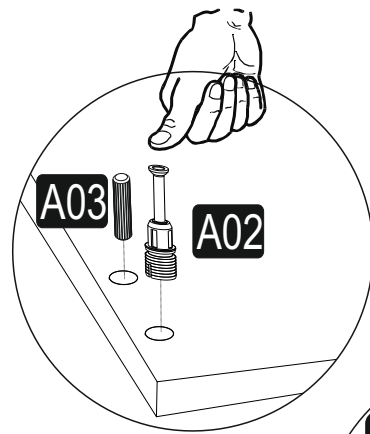
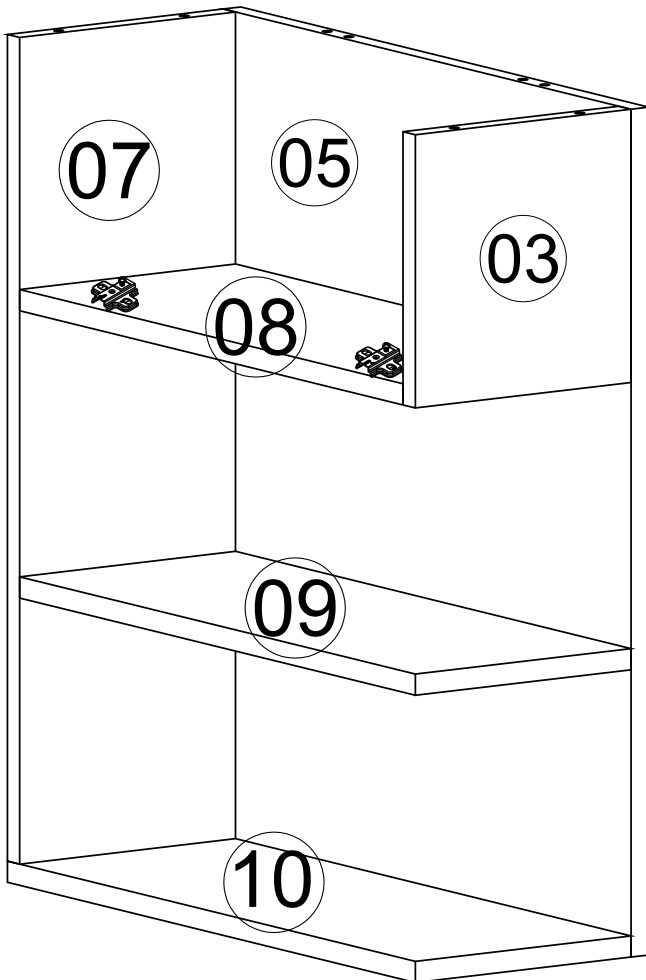
2



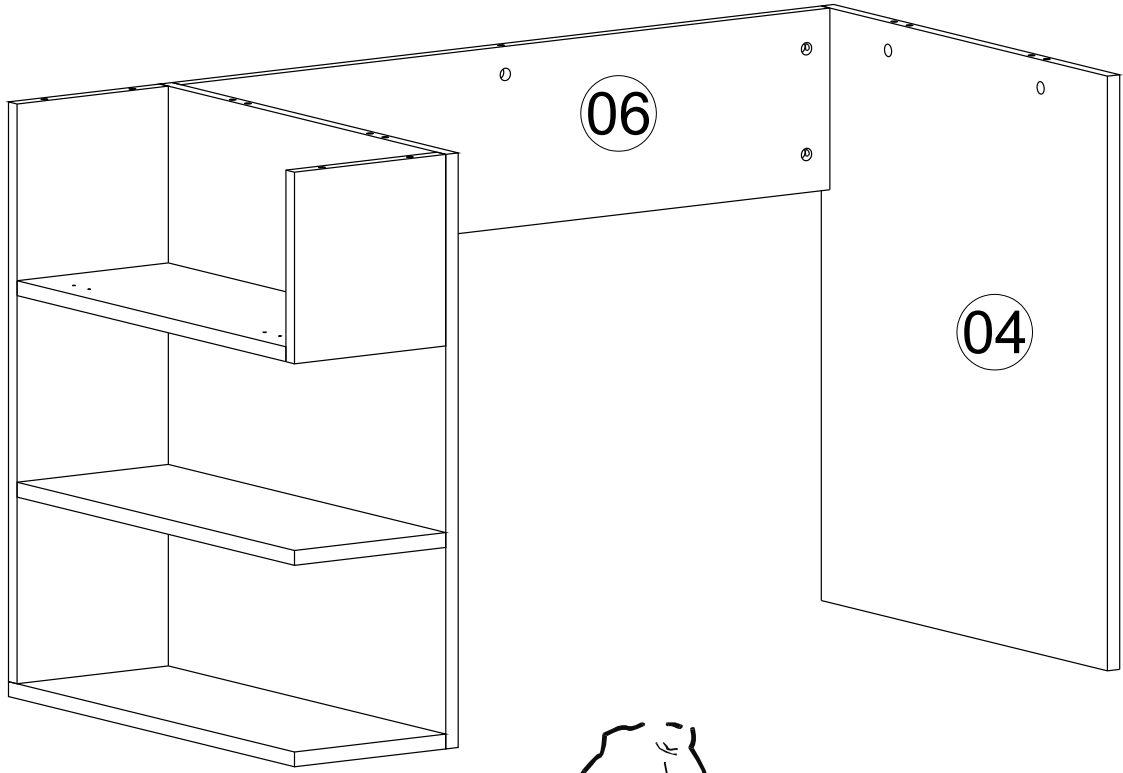
3



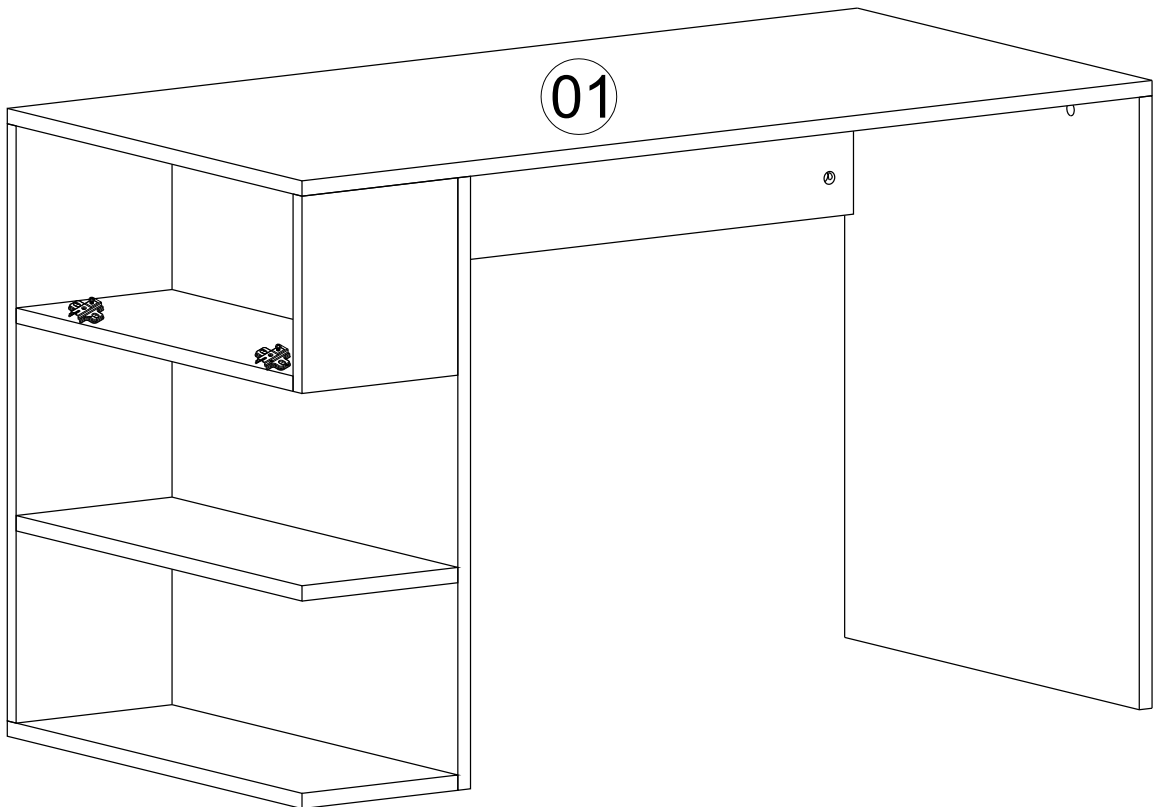
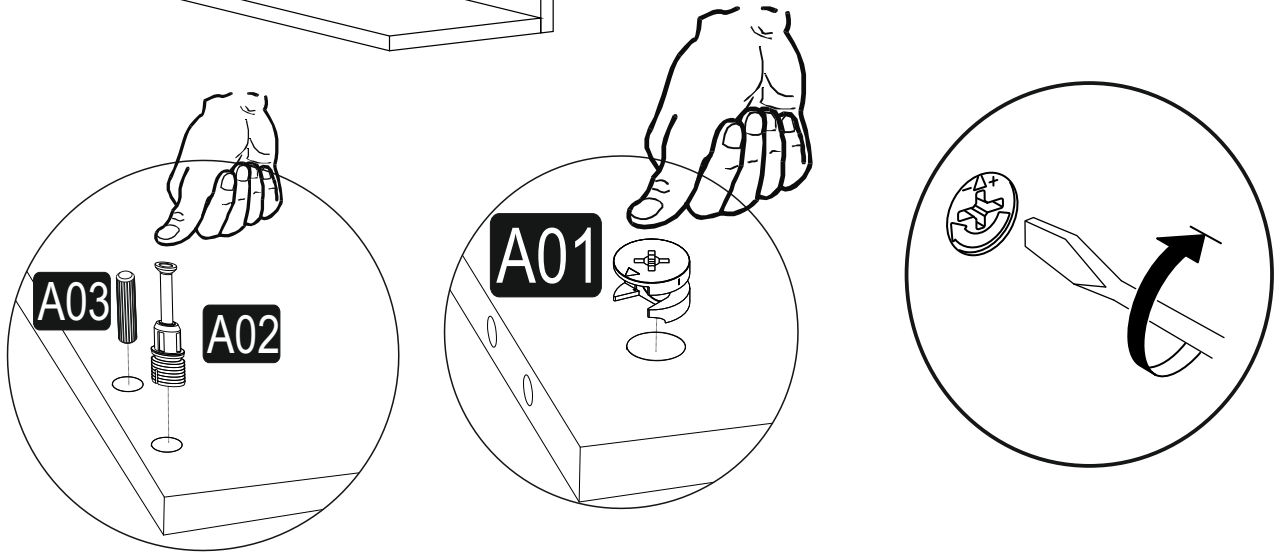
4



5

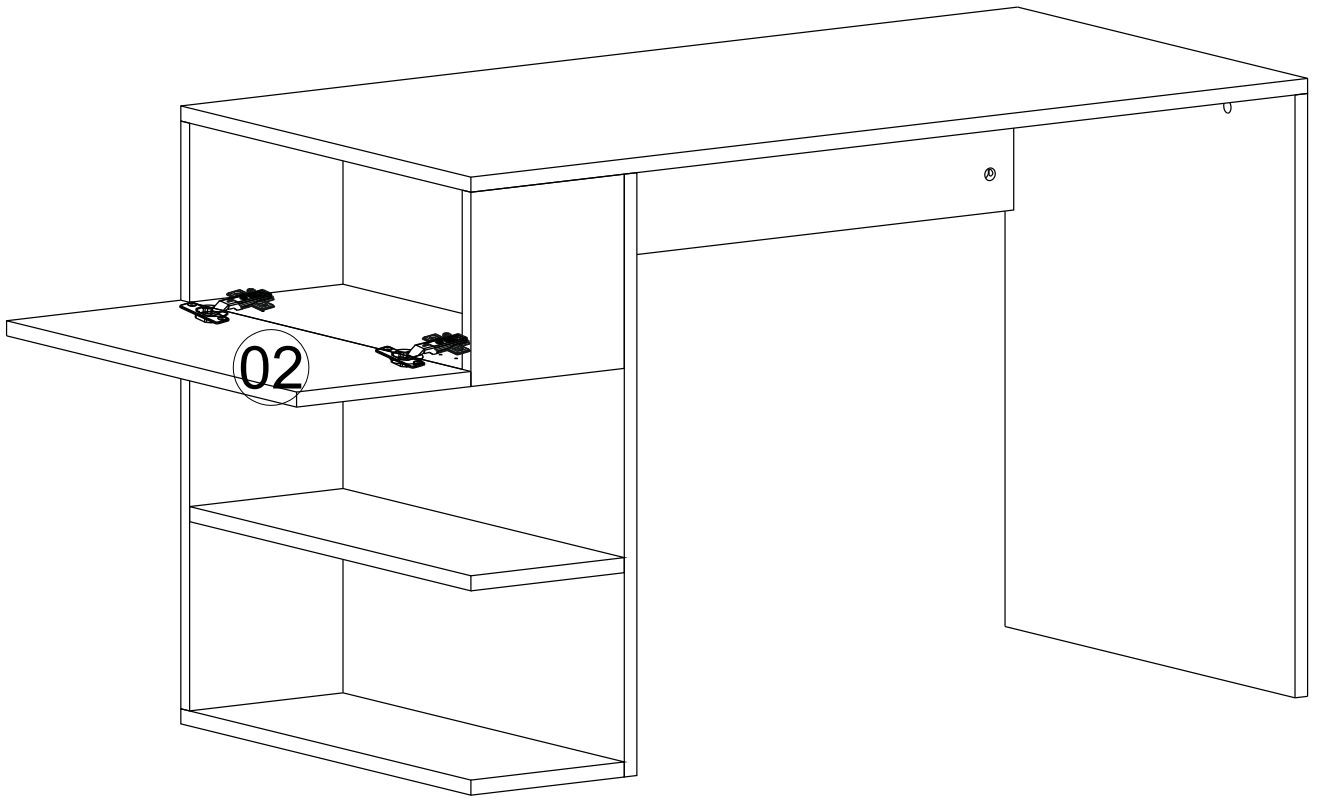
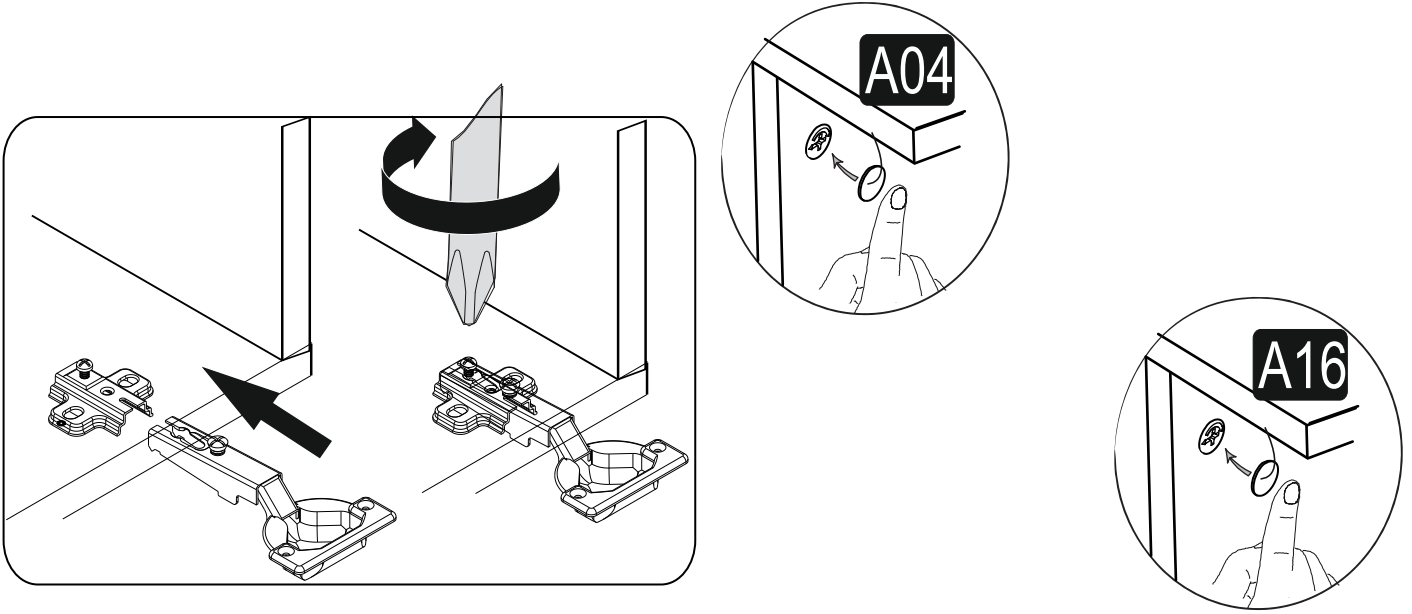


6



7

7





# **WARNING**

## **CHOKING HAZARD**

- This unit contains small parts which could be a choking hazard for small children. Children should be under adult supervision at all times.
- Do not overload the unit. Each shelf has a recommended capacity of 13 pounds, and the total weight on the unit should not exceed 39 pounds for wall shelves.
- Do not climb, step, or stand on the unit.
- Do not mount or attach items to the front, rear, or sides of the unit. This can cause the unit to become unbalanced and fall.
- Do not stack units.
- All units must be secured individually to wall studs using hardware provided. If wall studs are not accessible, consult your local hardware store for appropriate mounting hardware.
- We recommend you hand-tighten screws. Use care not to overtighten if using power tools. Follow proper safety procedures if using power tools and/or ladders.
- We recommend you protect your work surface during assembly to prevent scratching or damage to tabletops, wood floors, etc.
- Failure to follow the instructions listed here could result in bodily injury or damage to personal belongings. Use caution and follow safety procedures.