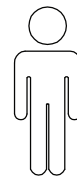
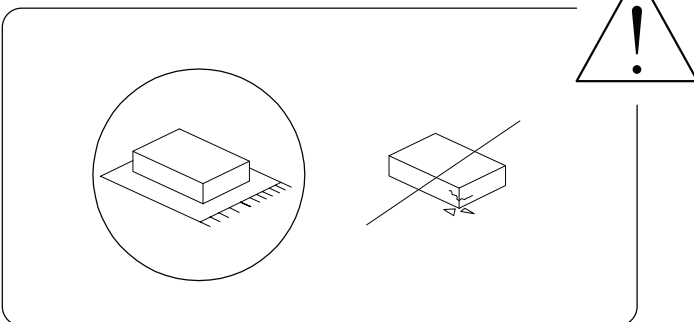
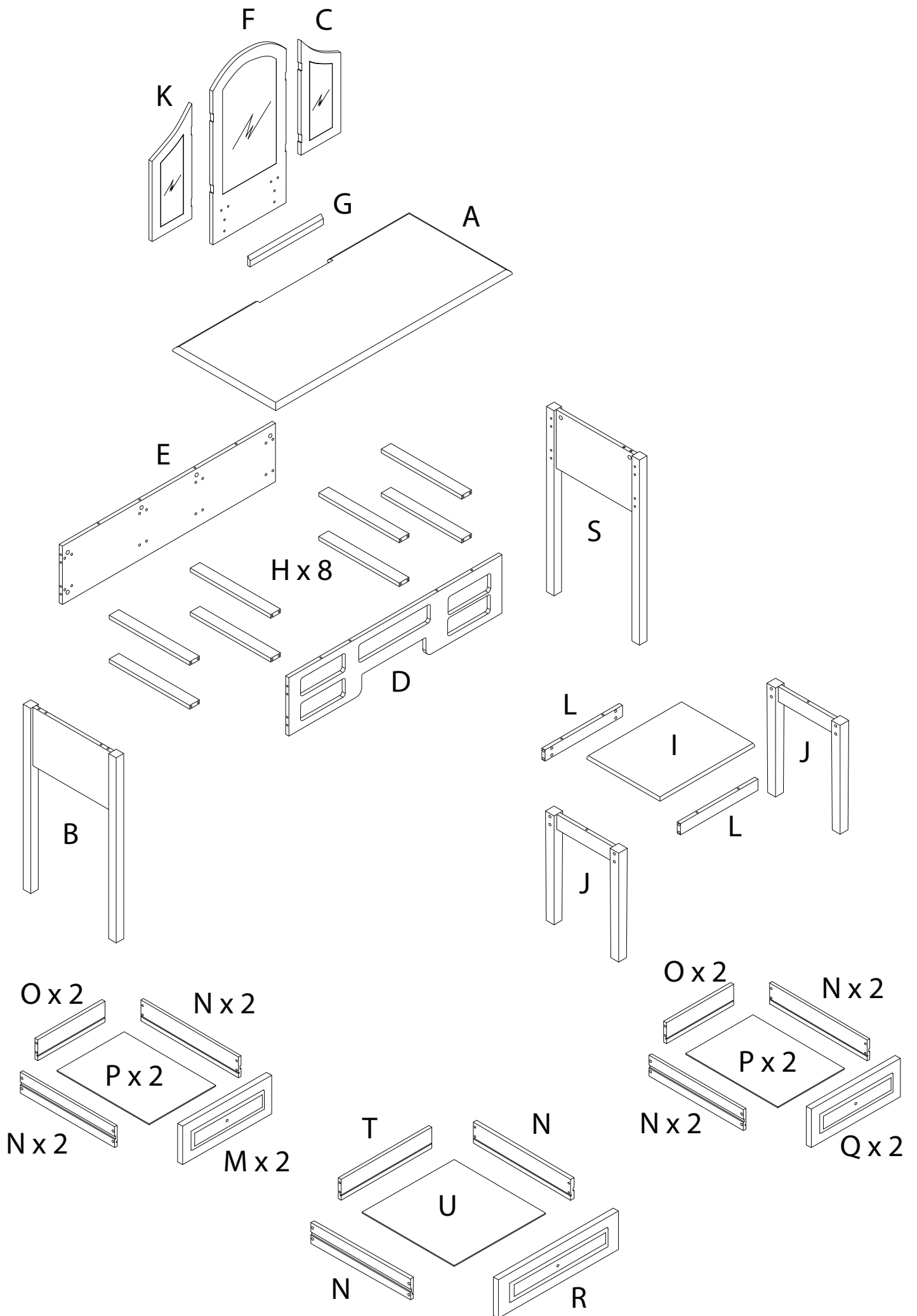
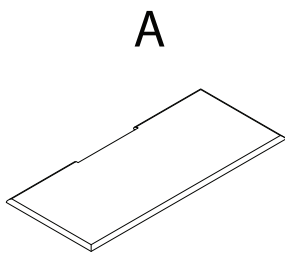


60'

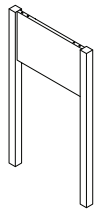


2





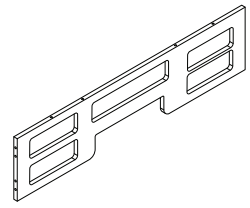
x 1



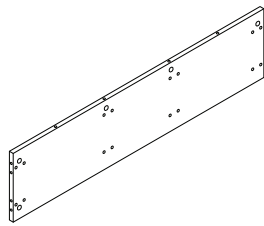
x 1



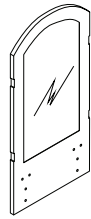
x 1



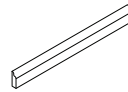
x 1



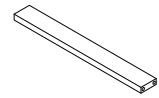
x 1



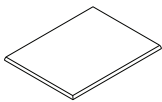
x 1



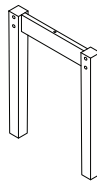
x 1



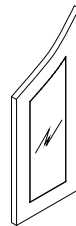
x 8



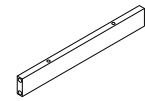
x 1



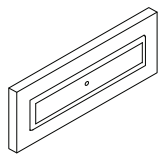
x 2



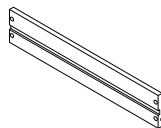
x 1



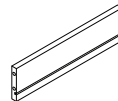
x 2



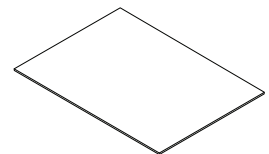
x 2



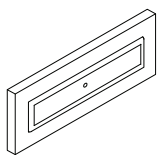
x 10



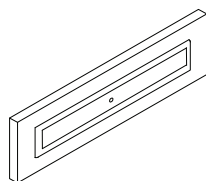
x 4



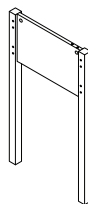
x 4



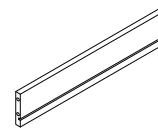
x 2



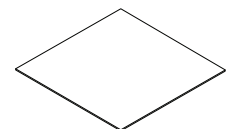
x 1




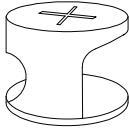

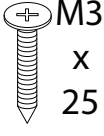
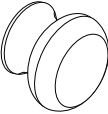
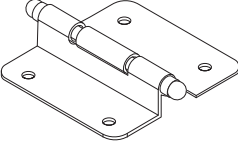

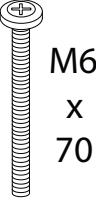

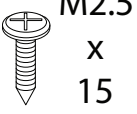



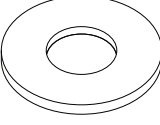

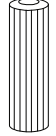
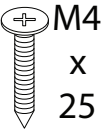
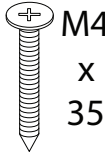
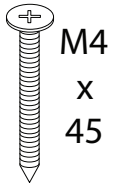
x 1



x 1



x 1

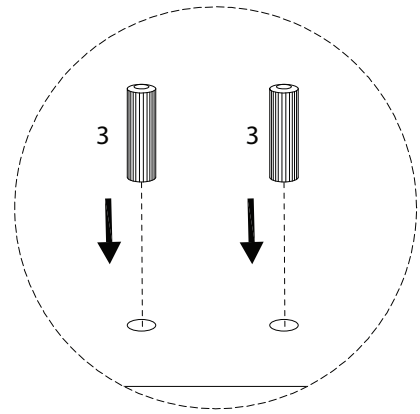
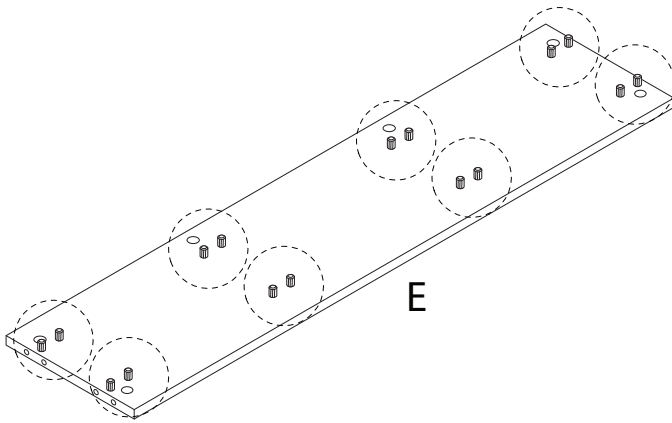
<p>1</p>  <p>x 16</p>	<p>2</p>  <p>x 16</p>	<p>3</p>  <p>x 48</p>	<p>4</p>  <p>x 40</p>
<p>5</p>  <p>x 5</p>	<p>6</p>  <p>x 4</p>	<p>7</p>  <p>x 5</p>	<p>8</p>  <p>x 8</p>
<p>9</p>  <p>x 8</p>	<p>10</p>  <p>x 2</p>	<p>11</p>  <p>x 4</p>	<p>12</p>  <p>x 2</p>
<p>13</p>  <p>x 2</p>	<p>14</p>  <p>x 4</p>	<p>15</p>  <p>x 16</p>	<p>16</p>  <p>x 2</p>
<p>17</p>  <p>x 2</p>	<p>18</p>  <p>x 2</p>	<p>19</p>  <p>x 6</p>	

1

3  
x 16

E

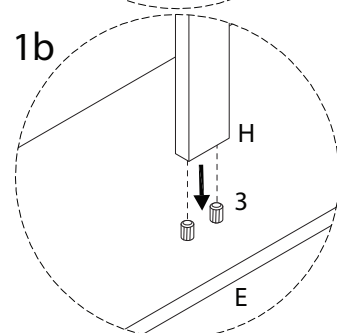
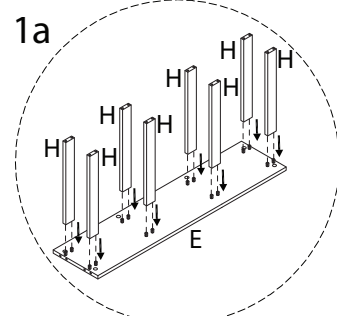
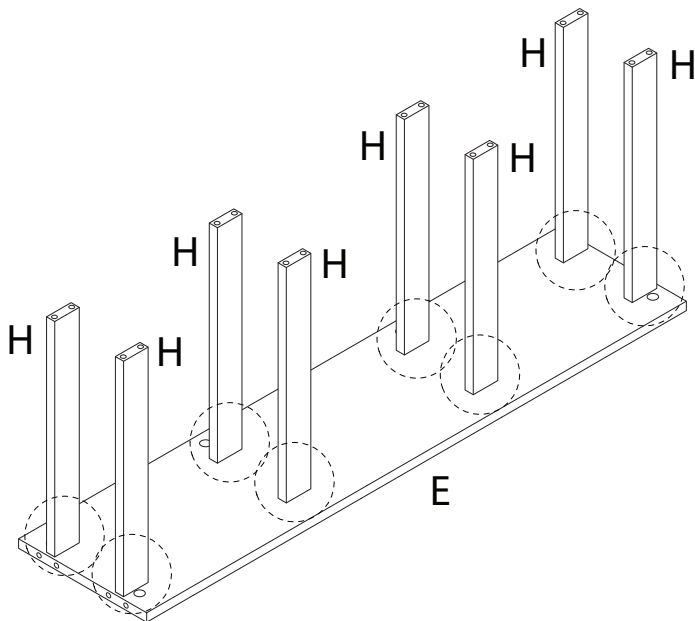
x 1



2

H

x 8

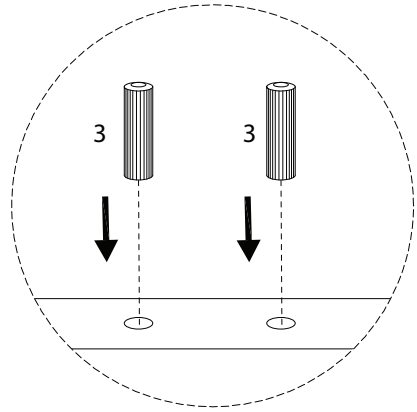
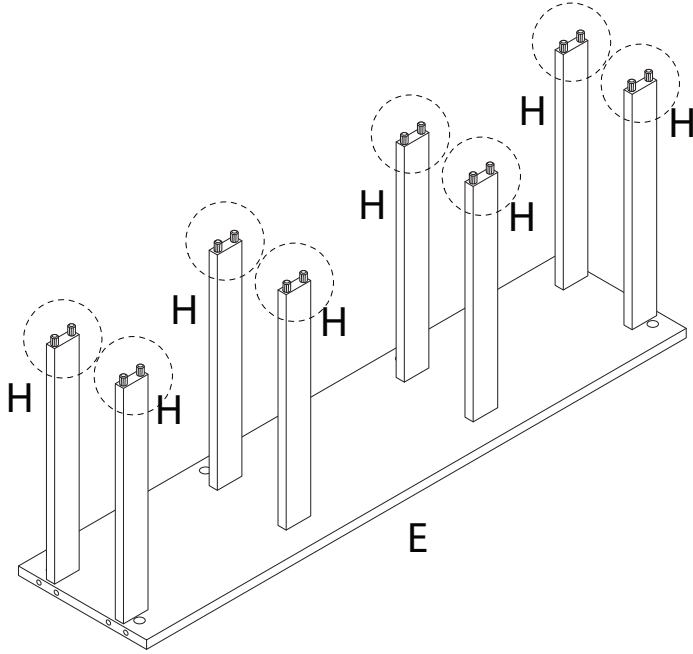


3

3

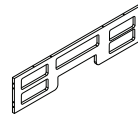


x 16

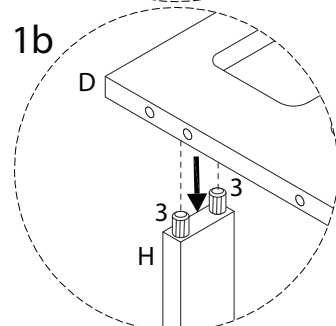
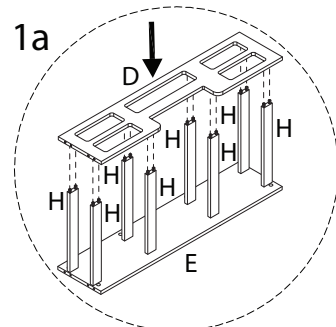
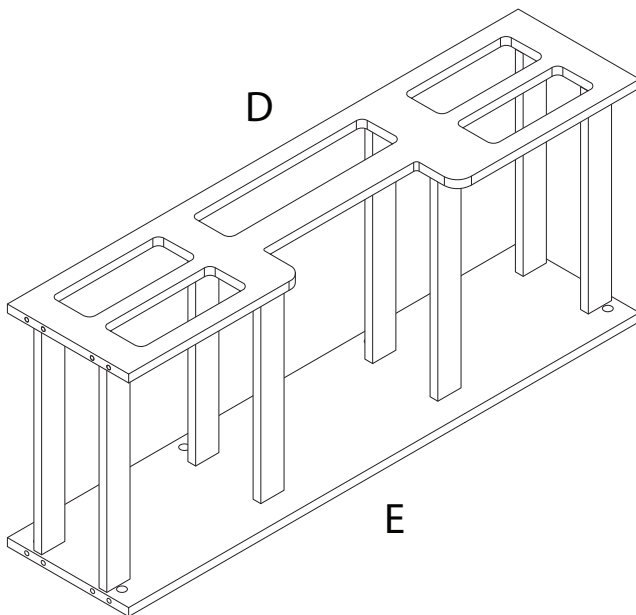


4

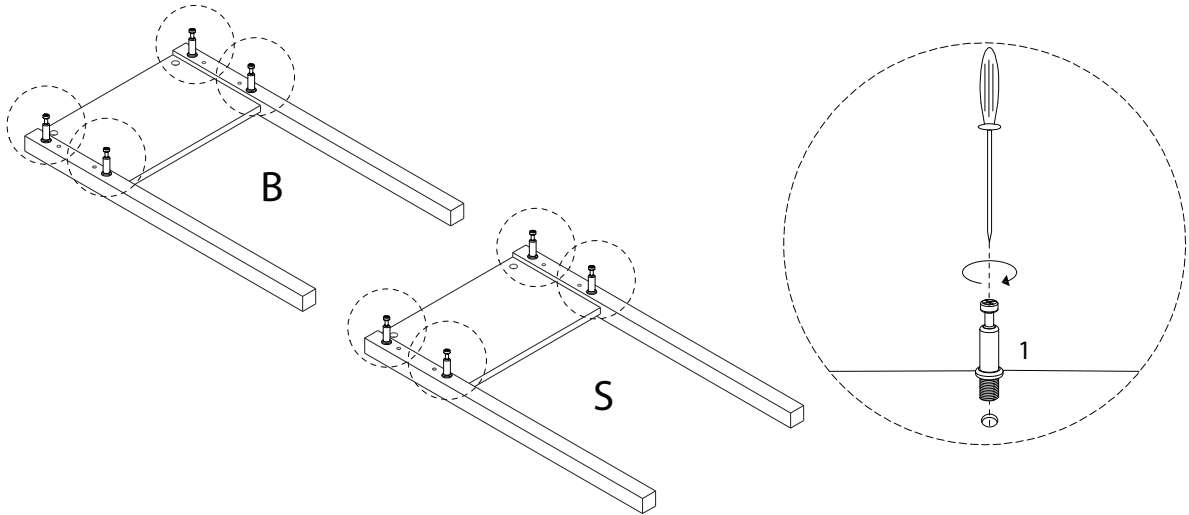
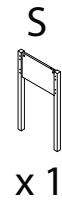
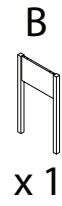
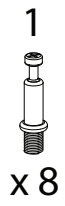
D



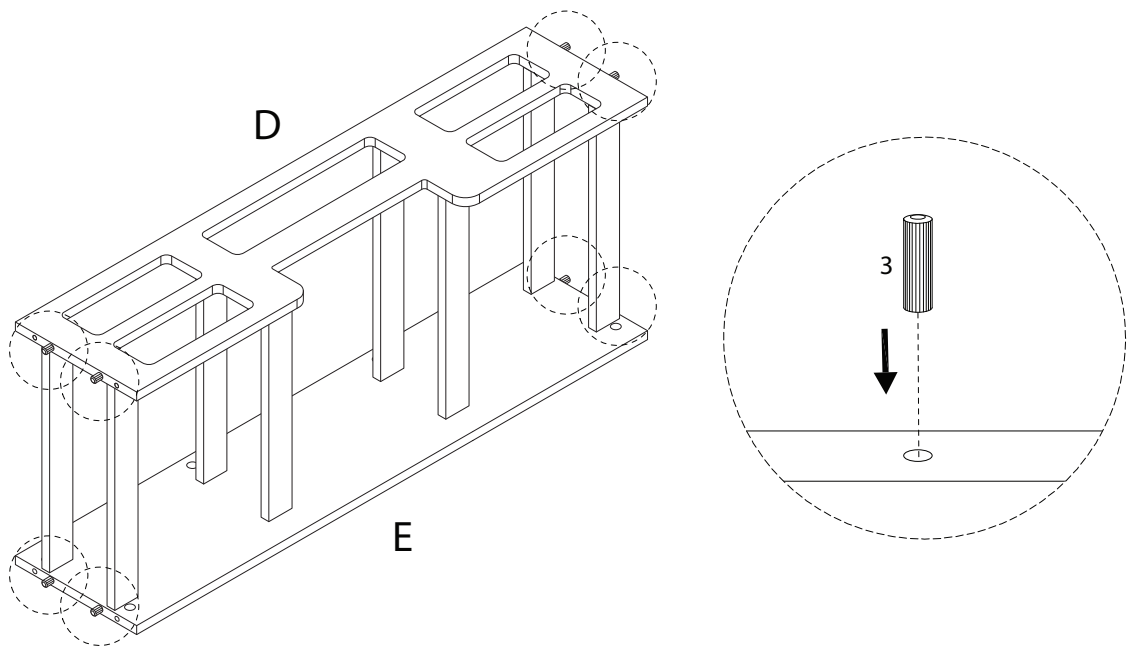
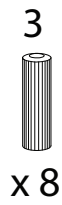
x 1



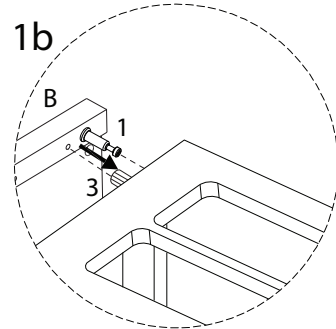
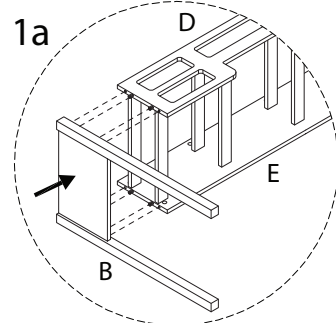
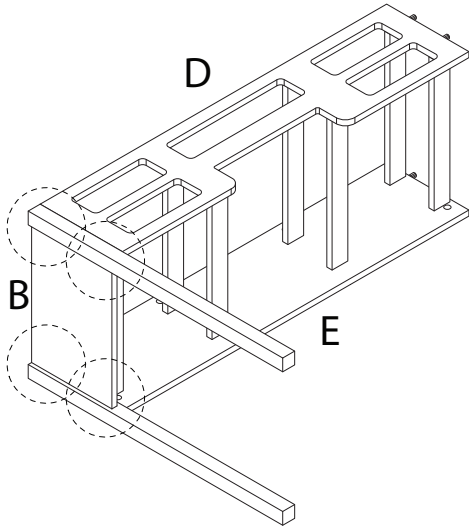
5



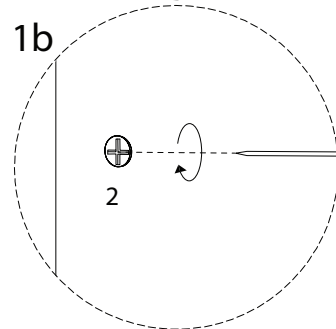
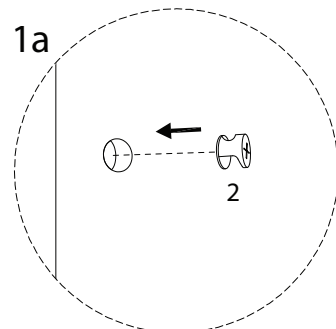
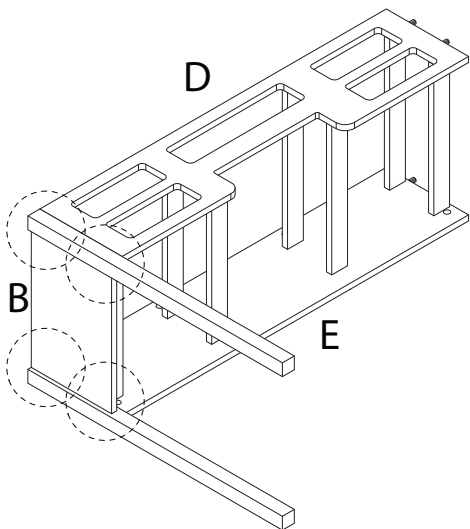
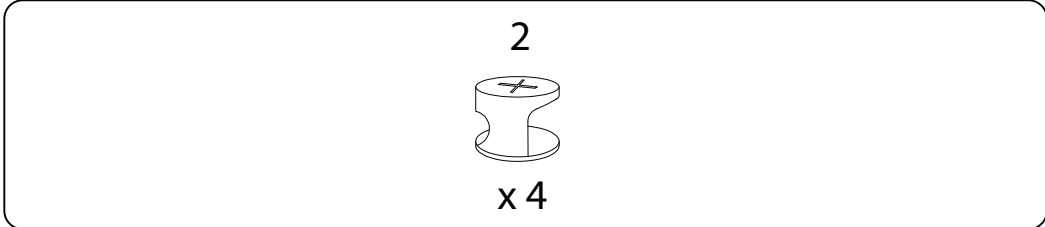
6



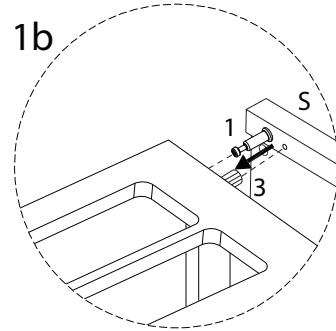
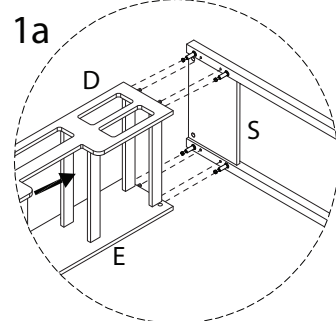
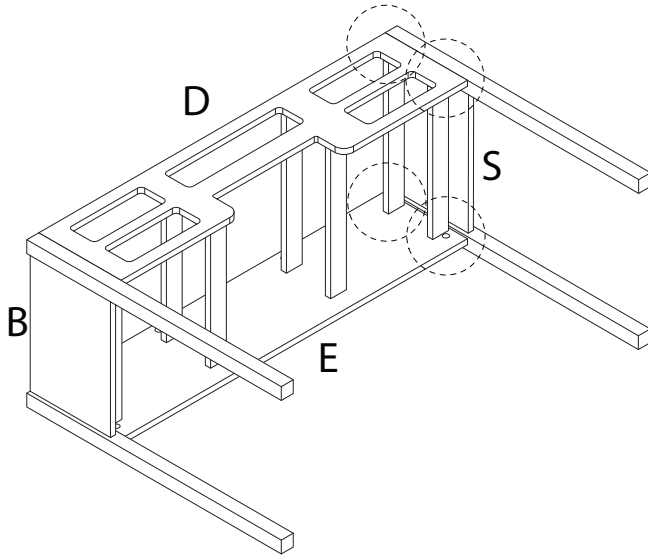
7



8



9

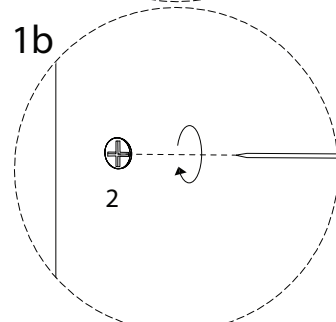
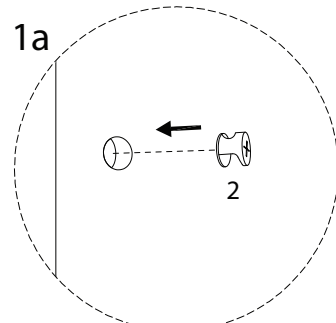
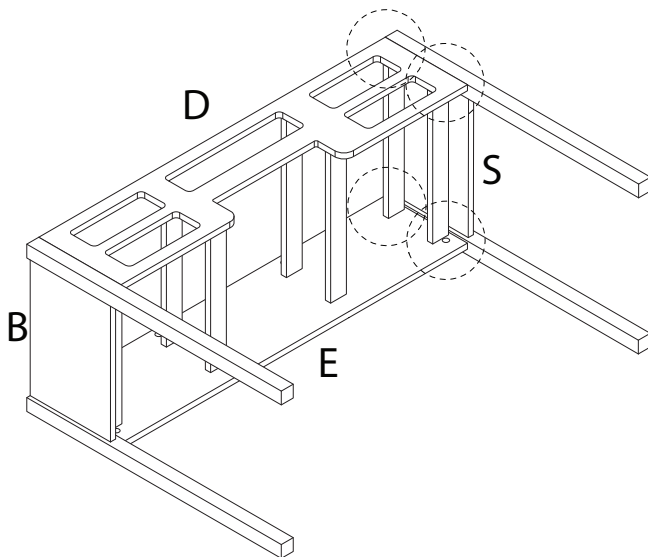


10

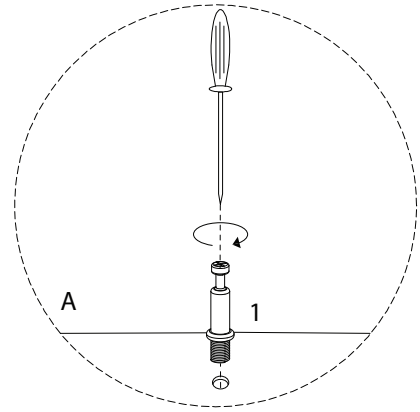
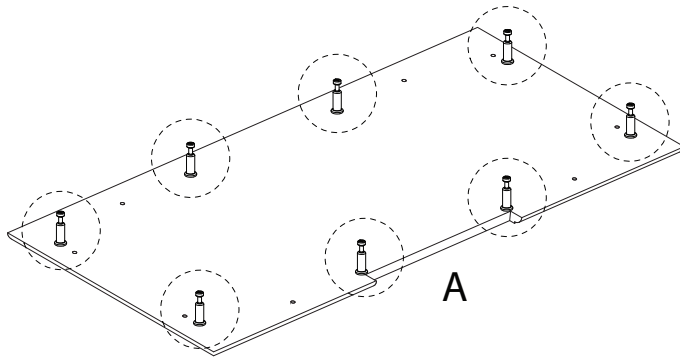
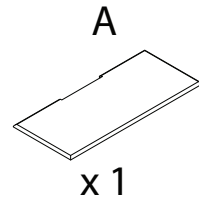
2



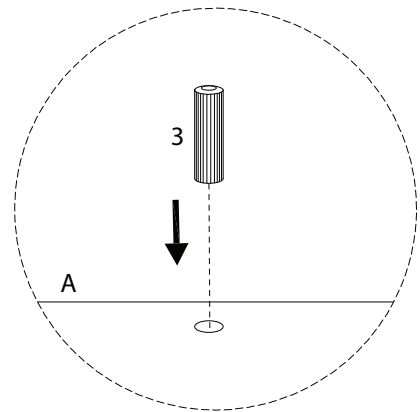
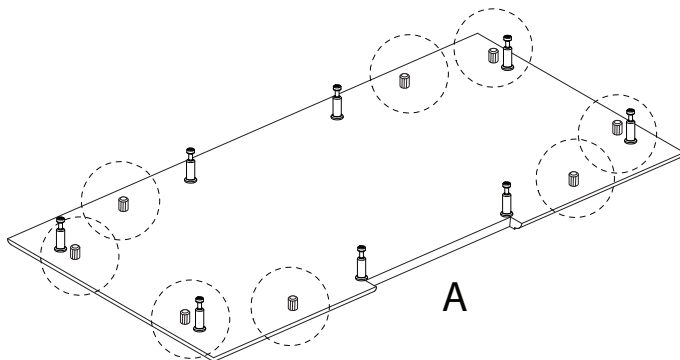
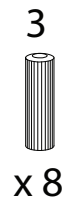
x4



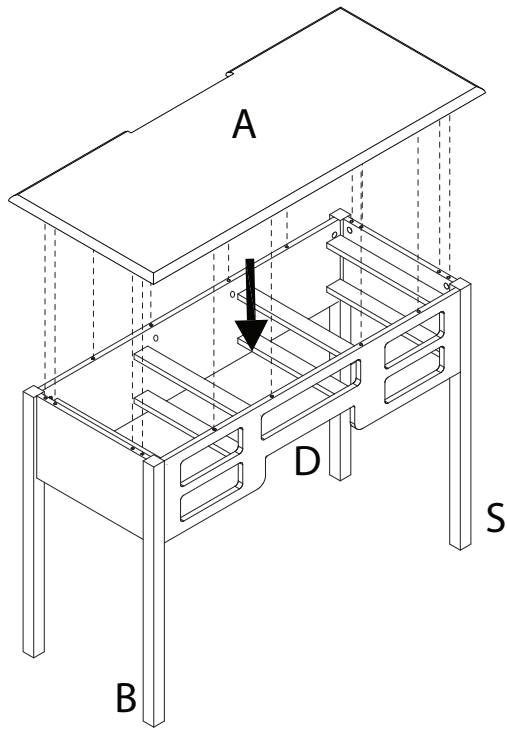
11



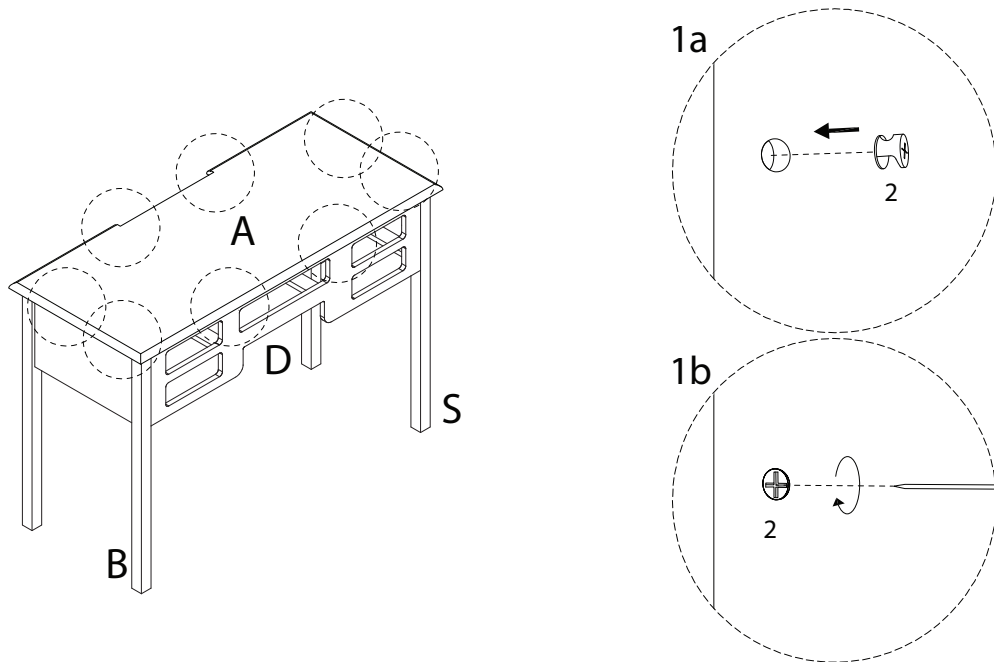
12



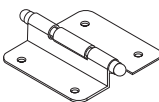




13

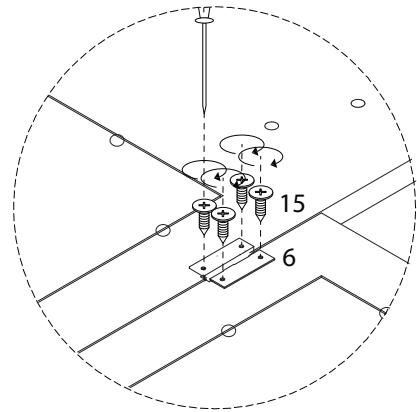
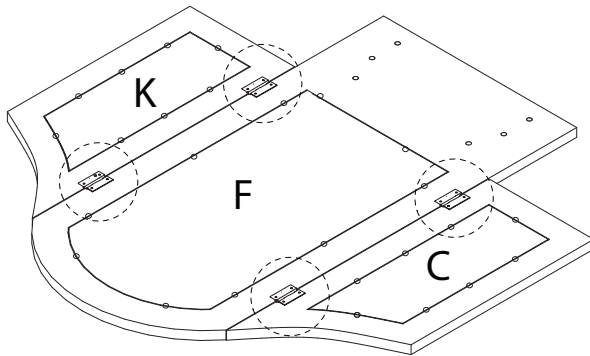


14

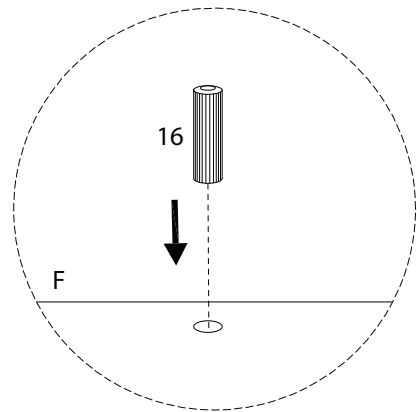
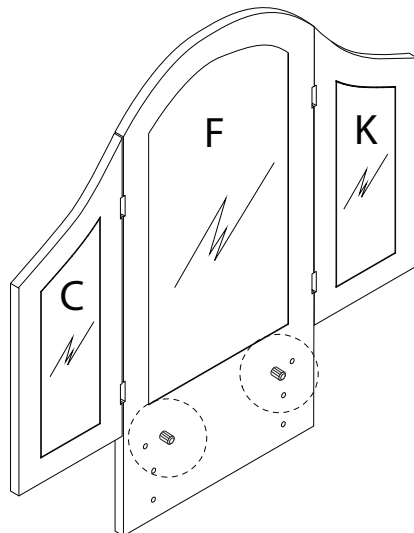
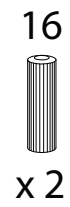


15

<p>6</p>  <p>x 4</p>	<p>15</p> <p>M3</p>  <p>x 12</p> <p>x 16</p>	<p>C</p>  <p>x 1</p>	<p>F</p>  <p>x 1</p>	<p>K</p>  <p>x 1</p>
---	---	---	---	---



16



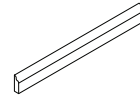
17

17

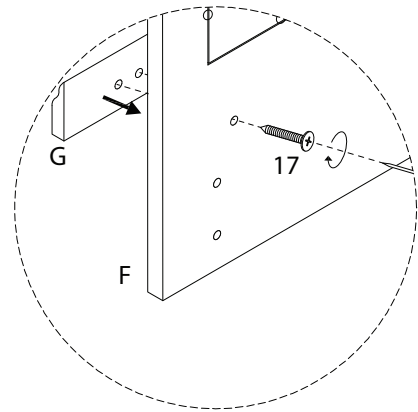
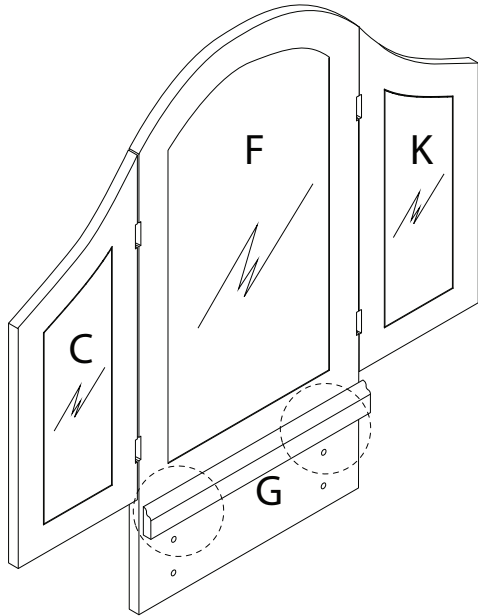


x 2

G



x 1

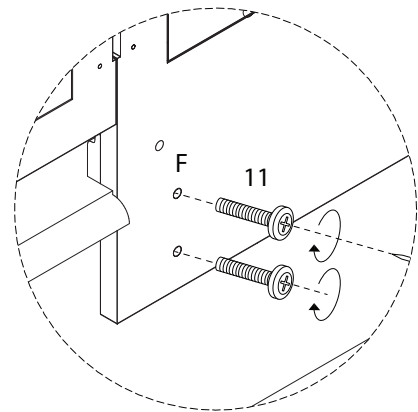
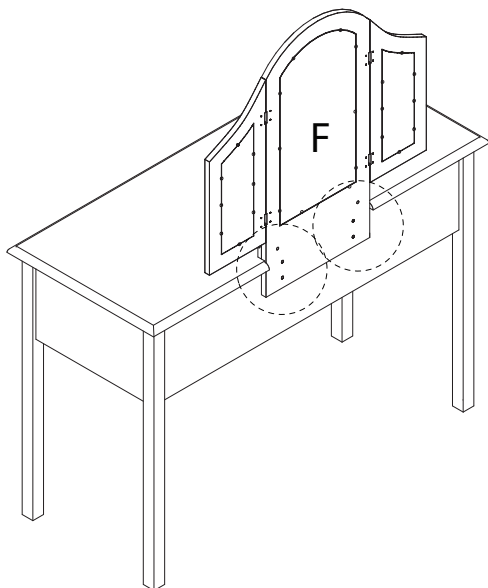


18

11



x 4



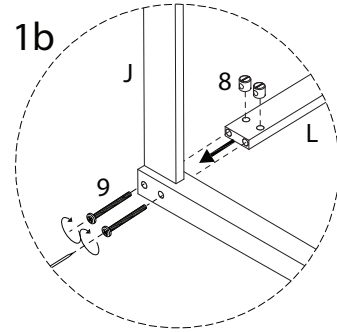
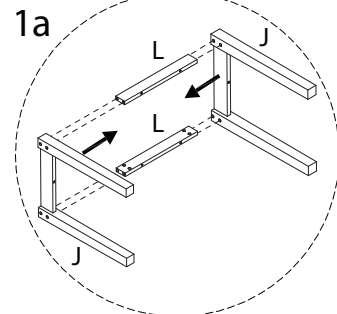
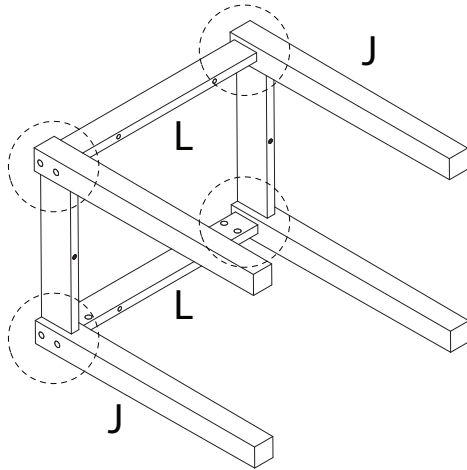
19

8  
M6  
x  
70  
x 8

9  
x 8

J  
x 2

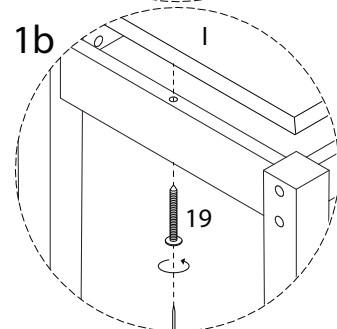
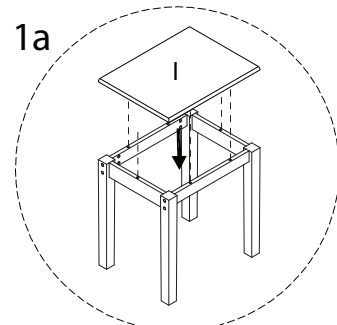
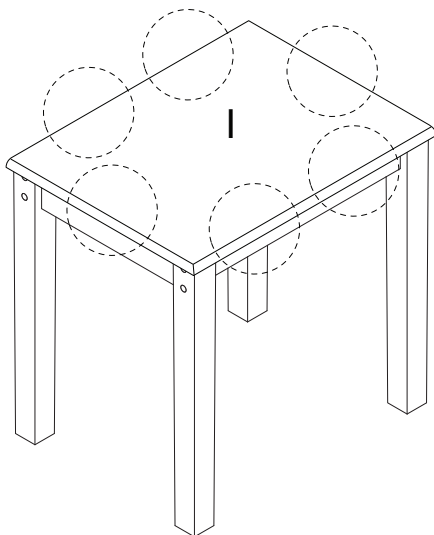
L  
x 2



20

19  
M4  
x  
45  
x 6

I  
x 1

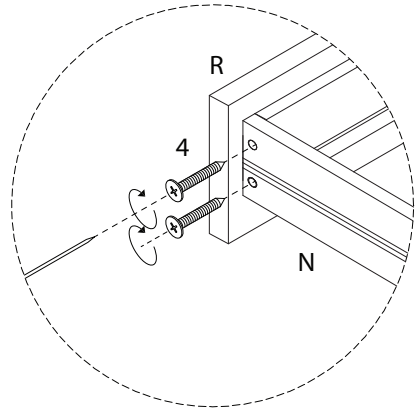
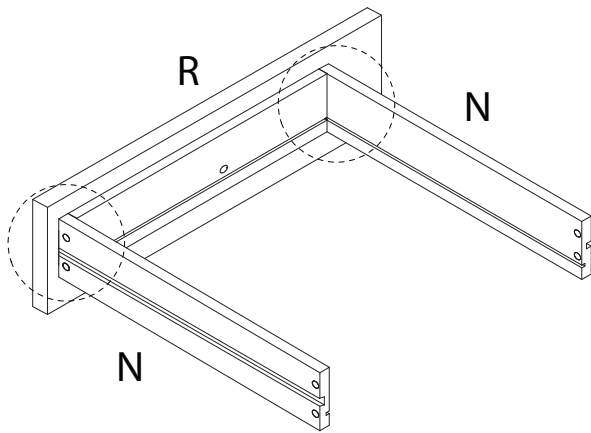


21

4  
M3  
x  
25  
x 4

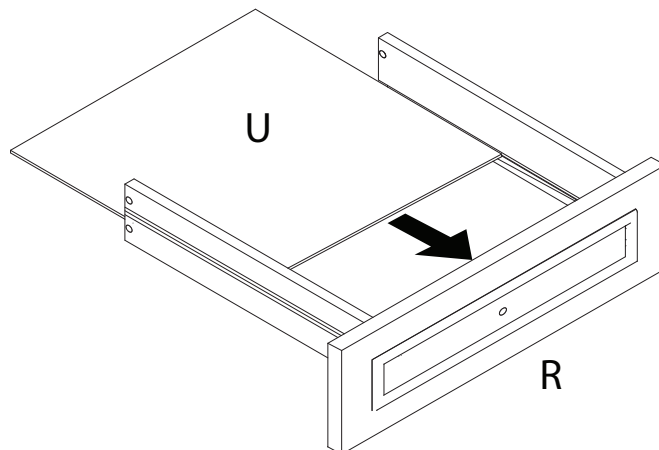
N  
x 2

R  
x 1



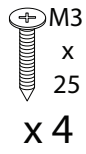
22

U  
x 1

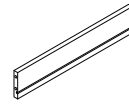


23

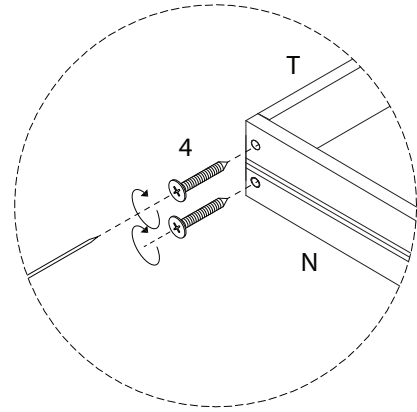
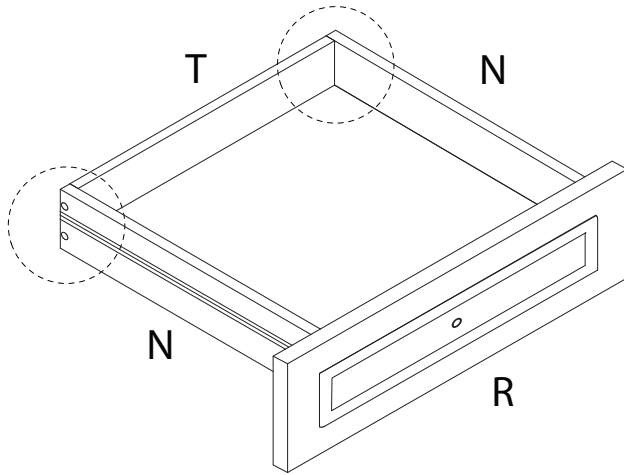
4



T



x 1



24

5

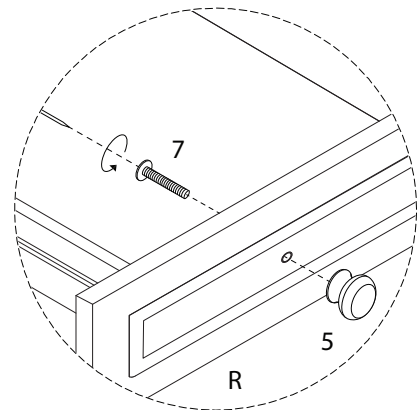
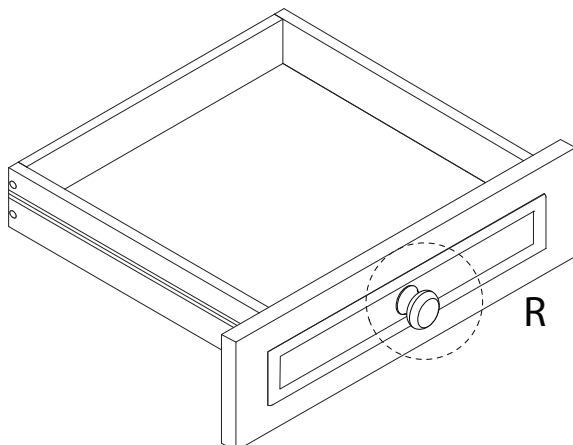


x 1

7



x 1



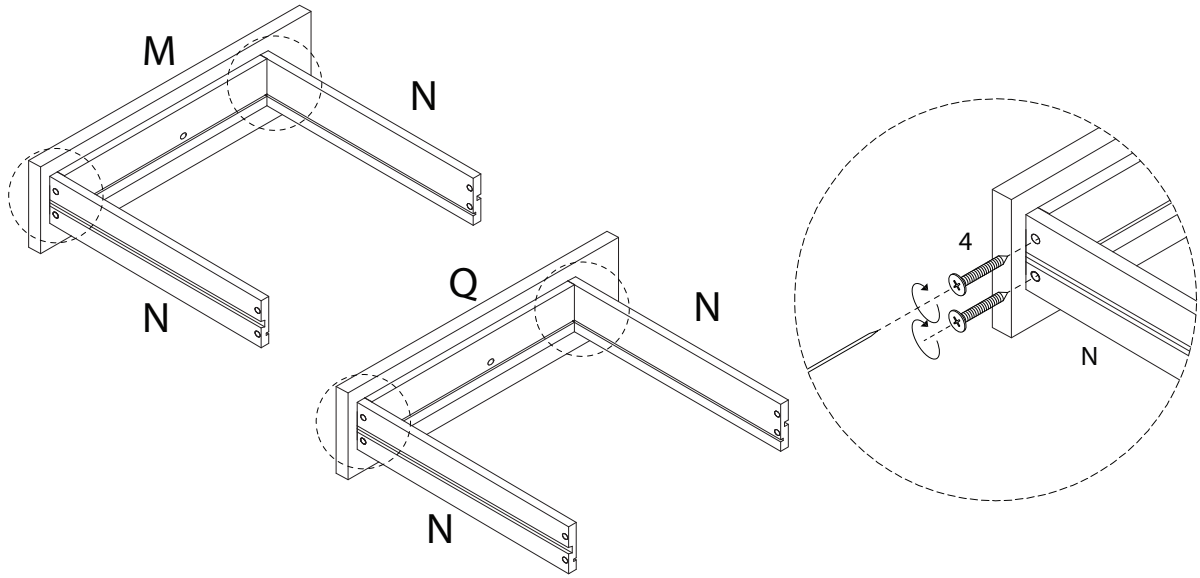
25 x 2

4  
M3  
x  
25  
x 8

M  
x 1

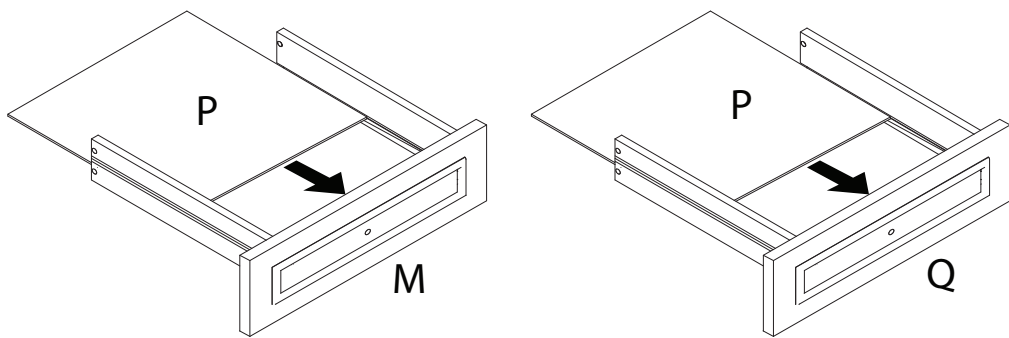
N  
x 4

Q  
x 1



26 x 2

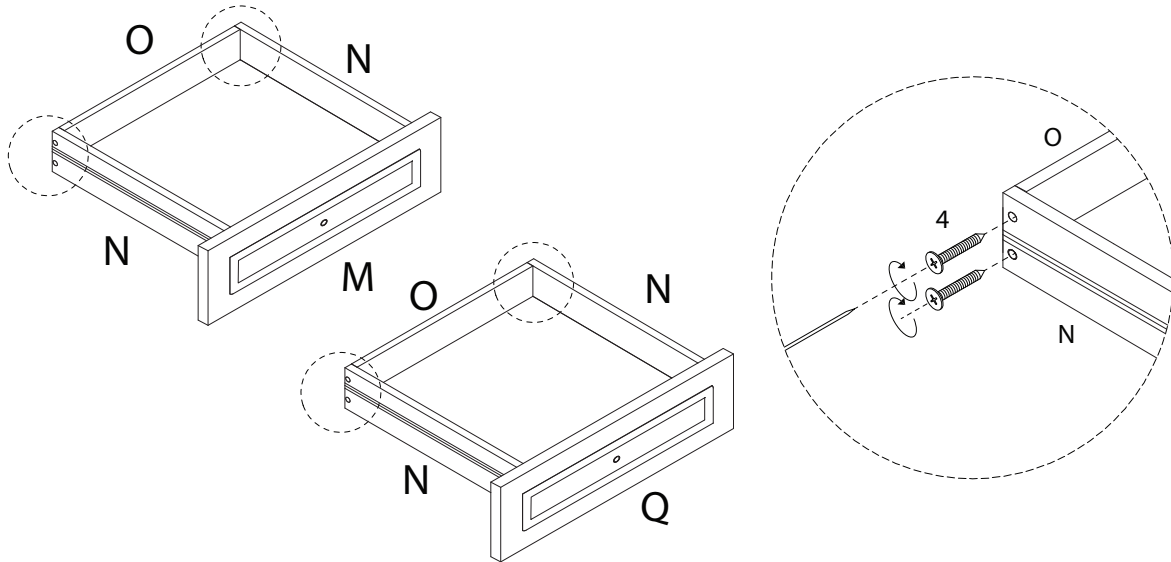
P  
x 2



27 x 2

4  
M3  
x  
25  
x 8

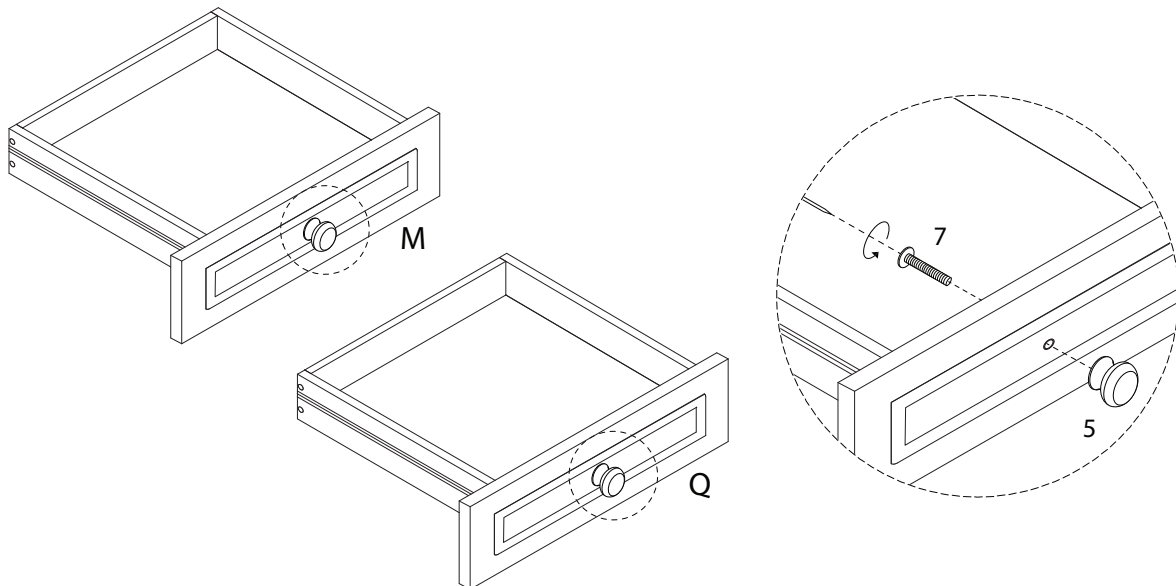
O  
x 2



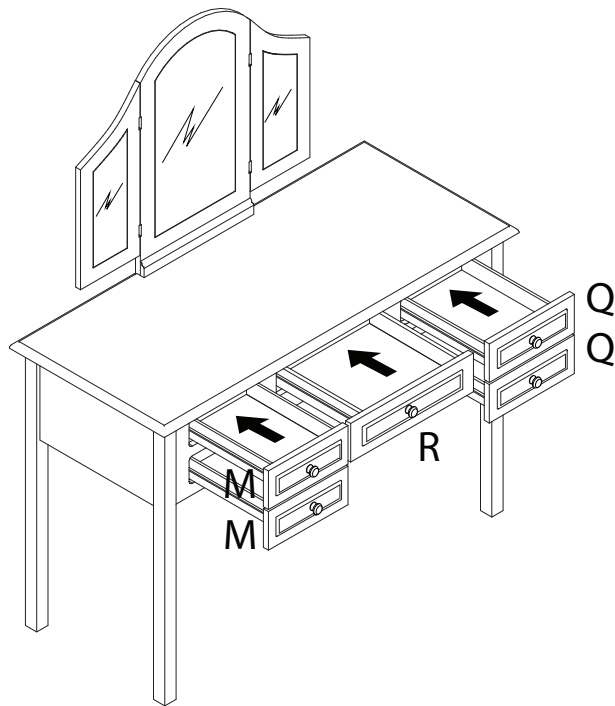
28 x 2

5  
x 2

7  
M4  
x  
25  
x 2

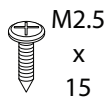


29



30

10



x 2

13

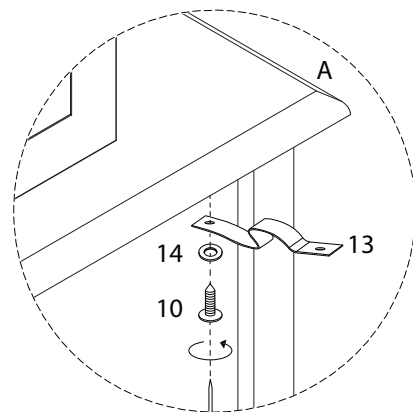
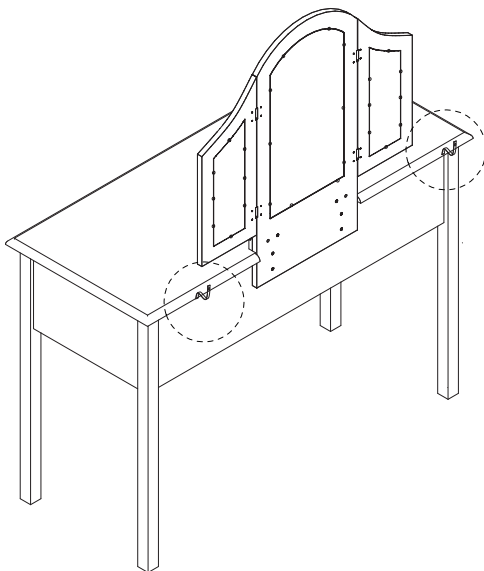


x 2

14



x 2



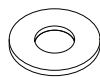
31

12



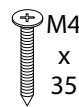
x 2

14



x 2

18



x 2

