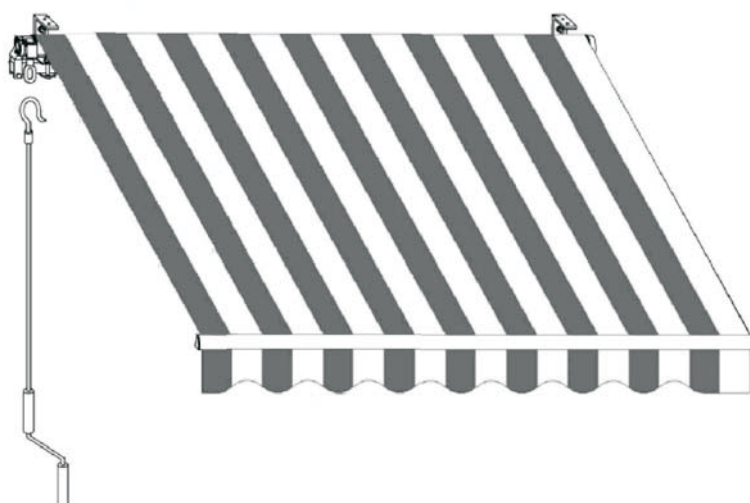




## Instruction manual for Window Awning



### Contents

Packing list .....	2
Description .....	3
Safety instructions .....	3
Technical data .....	4
Preparation .....	5
Mounting .....	5
Operation .....	8
Adjusting pitch angle.....	8
Extend and retract awning.....	9
Notes of the awning fabric .....	10
Maintenance .....	11
Cleaning .....	11
Storage .....	11



**Attention!**


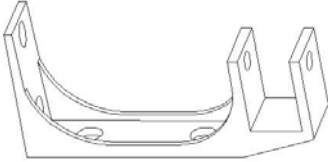
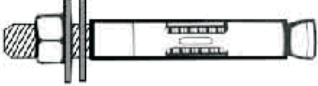


Read the operator's instruction before the mounting and use of the product. Keep the instruction in a safe place for future reference.

Dear Customer,

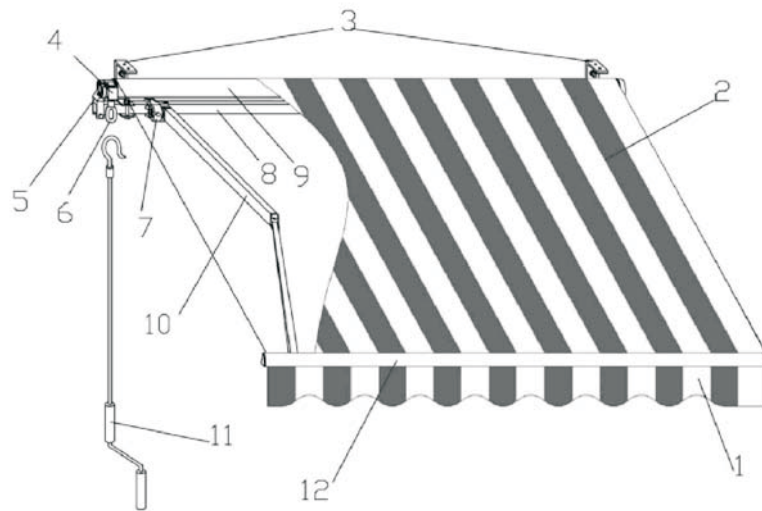
Congratulations for buying an awning. For your own and the safety of other people please pay attention to the following leads and follow safety instructions.

Before you start mounting and using the awning, please get familiar with this product. Make sure all parts listed up in below packing lists are delivered and intact. If you find that there are parts missing or damaged please do not install the awning but contact your dealer.

**Packing list**

Part	Quantity
 Awning	1
 Bracket with hexagon head bolt and locknut	2
 Anchor with locknut, washer and locking ring	4
 Crank handle	1
 Instruction manual	1

**Description**



1	Forefront of fabric	5	Roller support	9	Roller
2	Fabric shade	6	Gear loop	10	folding arm
3	Bracket	7	Arm shoulder	11	Crank handle
4	Gearbox	8	Square tube	12	Front bar

## Important safety instructions!

**WARNING – IT IS IMPORTANT FOR SAFETY OF PERSONS TO FOLLOW THESE INSTRUCTIONS. SAVE THESE INSTRUCTIONS**

### Symbol explanation



This warning triangle calls attention to hazards that that can lead to death or to severe injuries or which are important for the functioning of the awning.



This sign identifies important notes.

### Safety instructions



**To install this awning technical knowledge is necessary.** Do not mount this awning yourself if

- ◆ you are unsure if the awning can be mounted on the place you chose for installation.
- ◆ you do not understand the instruction manual or parts of it.
- ◆ you do not have necessary tools available.
- ◆ you do not have necessary technical knowledge.



**A minimum of two healthy adults are required to move and install the awning** as the product is big and heavy. Do not try to install the awning alone. If the awning falls, it could cause serious injuries and damages! Contact an authorized assembler for help.



**Do not install the awning when you find damage parts are that parts are missing.**



**Do not allow children to play in the working area during assembly and adjustments.**



**This product is only suitable for installation in the cement wall or ceiling.**



**Nobody is allowed to change the products' design and structure without the permission of manufacture or authorized deputy.**



Please make sure that your hands are clean at the time of the assembly; otherwise you may soil the awning fabric and frame.



**The operation in frosty conditions may damage the awning.**



**The operation in snowy conditions may damage the awning.**



**In case of rain Retract the awning if pitch angle is less than 14°.**



**Nobody is allowed to climb onto the awning; hanging anything on the awning is forbidden.**



Sheeting was used to protect the paint. This must be removed afterwards.



When extended, various forces, including wind and rain, will affect an awning. These sometimes substantial forces must be absorbed by the awning and transferred to the assembled structure via its mounting brackets. Under extreme loads, excessive attractive force can be exerted on the anchor bolts. Therefore, **before starting assembly, check the load-bearing capacity of the mounting base and if necessary take corresponding measures to ensure stable installation of the brackets.** If the mounting base is unstable, you may wish to consult a specialist in your vicinity.



**The awnings are intended as a protection against the sun only. It is not to be used during periods of strong wind, rain, hail, or snow. In case of such conditions, retract the awning immediately.**

## Technical Data:

Model	M1100 and M1200					
	-4x2.5	-4x2	-3.5x2	-3x2.5	-3x2	-2.5x2
Adjusting angle	0-45°	0-45°	0-45°	0-45°	0-45°	0-45°
Gear ratio	1:7	1:7	1:7	1:7	1:7	1:7
Wind resistance	Beaufort scale 4 (20km/h)					
Recommended tilting angle	Min. 14° to the horizon in case of rain					

## Preparation

Carefully remove the awning from the box and remove the styrofoam protectors from the awning.

Remove the plastic bags and plastic guards from the awning and carefully place the awning aside to avoid having it damaged by scratches or otherwise damaged or soiled during assembly. Check the number of parts in the packaging whether the packing list requirements, the quality of parts availability issues, if questions, please contact the supplier.



**Be aware the sudden extension may occur during unpacking.**

**Tools needed for assembly:**

- |                              |                       |
|------------------------------|-----------------------|
| ✓ Drill                      | ✓ Stepladder          |
| ✓ Masonry drill bit, 14 mm   | ✓ Tape measure        |
| ✓ Level                      | ✓ Chalk or marker pen |
| ✓ Wrench 14mm, 17mm and 19mm | ✓ Wooden hammer       |

**Mounting**



**Mounting on concrete wall or ceiling**

The awnings must be installed at least at the height of 2.5 m on a reinforced concrete wall or ceiling. Please ask professionals for help if you are not sure.



**Make sure the wall/ceiling is plane, so that bracket seats solidly.**



**WARNING! Two healthy adults are needed to move and install the awning.**



**For safe and smooth installation think about how you will be securing the awning to the wall ahead of time.**

**Step 1: Chose the installation area**

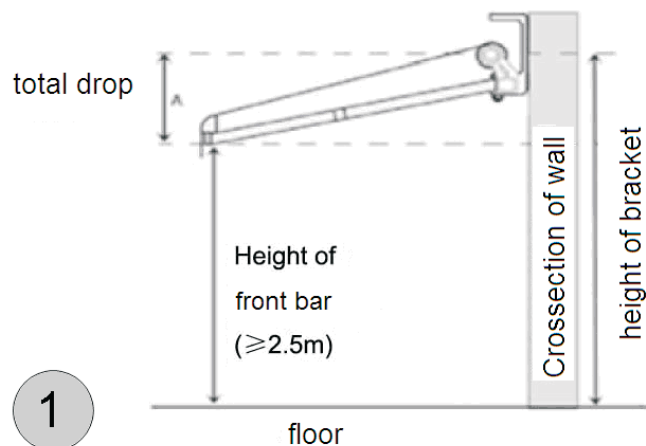
Ensure that you also take this drop height into account in your decision on where to install the awning. The drop angle can still be changed after assembly. The ideal drop angle, however, has already been set at the factory and may only be changed minimally.

The approximate total drop area of the awning varies depending on the type. We recommend that the awning front bar has a height of at least 2.5 m when it is fully extended.

In the event you would like to mount it above a balcony door, you should leave a space of at least 20 cm above the door frame if there is enough space available above the door frame.

*Drawing 1:*

Ensure that you also take this drop height into account in your decision on where to install the awning. The awning front bar should have a height between 2.5 and 4 m.

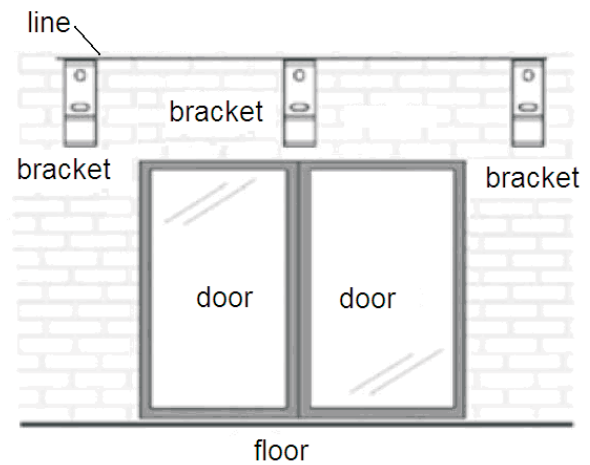


### Step 2: Mark drilling holes

After choosing mounting position you can mark where you need to drill holes for the brackets. Draw a horizontal line at the height of the required place. Use a long taper measure, a level and chalk. We already marked where and with what width brackets need to be mounted. Measure the width between the brackets and copy it to the line on your wall/ceiling. Mark the corresponding places on the wall by running a marker pen through the holes at the bottom of the brackets.

#### *Drawing 2:*

Mark where you need to drill holes for brackets with a chalk line to ensure awning is straight.



### Step 3: Drill holes

Use 14-mm masonry drill to drill the holes for the brackets at the appropriate marks on the wall. The holes should be 9 cm deep in the wall and must be drilled through solid masonry or concrete. Do not bore through mortar because this does not offer the strong enough support that is required by the installation of awning.



#### *Drawing 3:*

Use 14-mm masonry drill to drill 9 cm deep holes.

### Step 4: Insert anchors into wall

After drilling the holes you can insert the anchors into the wall. Remove lock nut, washer and locking ring before you insert the anchor. Store these parts so that you can reach them easily in the next step.



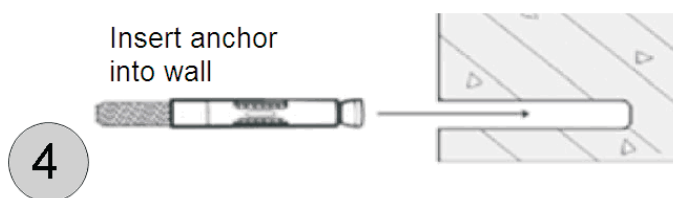
It may be necessary to drive the anchor bolts in with a wooden hammer because they do not go in easily. Do not use a metal hammer for this purpose because this could damage the threads on the top of the bolts.



If the bolts need to be driven into the wall with a hammer, we recommend initially placing the nut on the screw loosely (only placing it loosely on the bolt) because this avoids damage to the bolt threads.

**Drawing 4:**

Insert the anchor into the drilled hole as shown in picture on the right

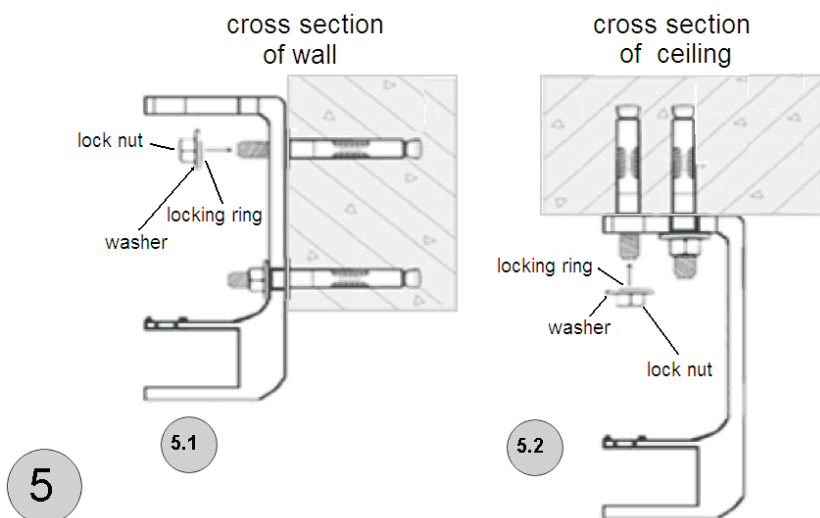


**Step 5: Fixing the brackets**

Place the bracket on the screw protruding from the wall. Then add locking ring and washer and fix the bracket with lock nuts. Tighten them well.

**Drawing 5:**

Bracket has been prepared to be fixed on a wall (5.1) or ceiling (5.2). Chose the whole you need to fix them according to drawing.



Firmly tighten the bolts with a 17mm wrench: it is best to use a wrench with a closed end rather than an open end because this will avoid damage to the nut if it should slip.



As soon as they are fully inserted, the brackets must sit firmly in the wall. If they are still moving in any form, you must further tighten it. **Ensure that the wall brackets are screwed firmly to the wall, so that they can in no case tear out when the awning is installed.**

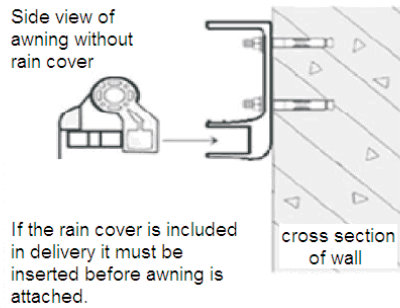


**Do not try to secure the wall brackets to loose wall stones or any surfaces that are not absolutely firm.**

**Step 6: Install awning**

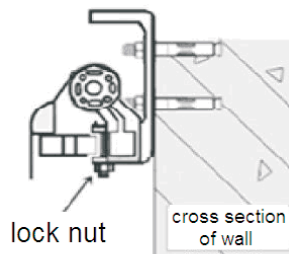
After all three brackets have been mounted properly you can fix the awning. At least two ladders are required to install the awning in order to obtain the required height. Ensure that the ladders are firmly resting on the ground so that you cannot fall. Only use ladders that are suitable for such assembly work.

Insert the awning into brackets as shown in drawing below. Then immediately insert the safety screw and fix it with lock not. Attachment brackets for wall and ceiling installation:



6

6.1



6.2

*Drawing 6:*

Insert awning to bracket as shown in 6.1. Fix the awning with delivered safety screw and lock nut (6.2) and tighten it properly.



In case the square tube cannot be inserted into the wall brackets, you should slightly loosen the wall bracket screws and then try it once again. This time, move the awning slightly forward and backwards until the bearing tube slips into the brackets. Then immediately insert the safety screw and fix it with lock nut. Use a 19 mm wrench to tighten it.

**Attention! Also tighten the safety screws of wall brackets again and ensure that they have been adequately secured.**



After the awning has been mounted properly and has been adequately secured please take away the protective band that you can find on the arm of the awning. Otherwise it cannot be opened. Store the protective band; you can use it in future when storing the awning.

**Attention: Misplacing and misapplying the awning can cause seriously danger. Only mount the awning yourself when you understand the mounting instructions completely and when you are sure that the wall or ceiling you want to mount the awning on is suitable. For your own and the safety of other people please contact an authorized assembler for help.**

## Operation

### Adjusting the pitch angle

The awning is already delivered with an optimally adjusted pitch angle. However, users can adjust the screen angle within a range of 1-45° for the Modell M1100 and M1200



Once you have achieved the highest possible range of pitch, the loop cannot be turned any farther. Do not force it! Failure to follow these instructions can damage the flex pitch shoulder and void the warranty.

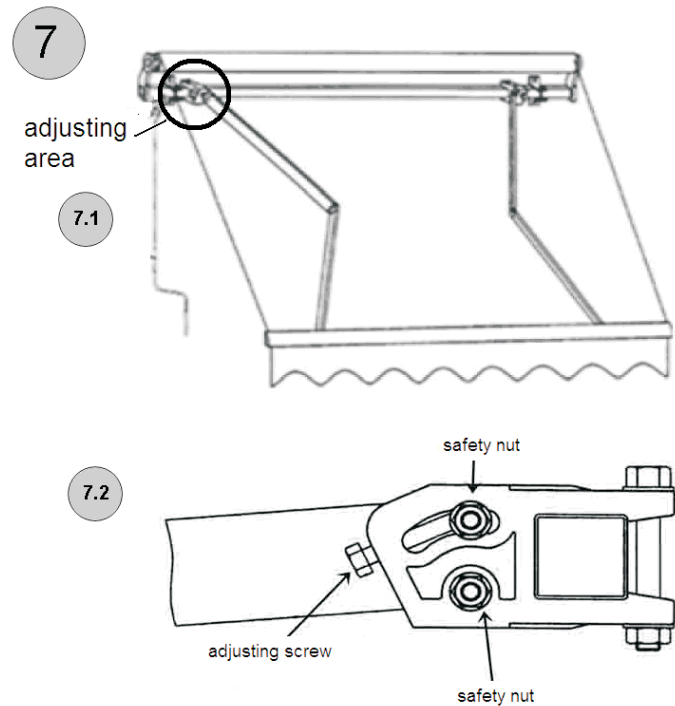
Extend the awning no more than 1/4 of its full projection before adjusting.

*Drawing 7:*



The pitch angle can be adjusted on all arms in the adjusting area (7.1).

Take off the plastic caps, loosen the locking bolts 9 with a 14mm wrench.

Turn the adjusting screw clockwise to decrease the pitch angle; turn counter-clockwise to increase the pitch angle. When achieved to the desired pitch angle, tighten the safety nuts and put the plastic caps back on it (7.2).



Follow the same procedure until all arms have been adjusted to the desired level.

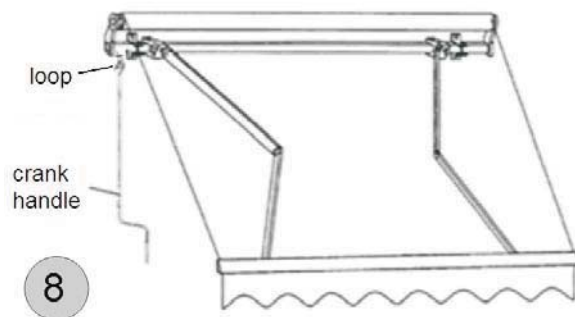
-  **The front bar must always be level.** To ensure that both sides are completely level, a built-in level is located on the front bar: the air bubble must be exactly in the middle of the level.
-  Place the plastic caps on the screws to protect them against weather based corrosion. Always remove the crank handle and keep it in a safe and dry place



**Extend and retract the awning**

The awning can be extended and retracted by a crank handle included in delivery.

*Drawing 8:*

Insert the handle in the loop that is fixed at the awning. Open the awning by turning the crank handle clockwise. By turning it counter-clockwise you can retract the awning.



-  The awning's crank gear has no stop to limit revolutions of the roller tube. **To avoid damage to the fabric, therefore, the awning fabric must always be properly rolled up.**
-  **The awnings are intended as a protection against the sun only.** It is not to be used during periods of strong wind, rain, hail, or snow. In case of such conditions, retract the awning immediately.



**Never allow children to play with the awning.**



**Be sure the fabric is tensioned.** If the fabric is not tensioned during extension, please turn counter-clockwise until the fabric is tensioned.



**Do not put any objects or parts of your body e. g. hands, in the awning while extending and retracting. Hazard of crush!**



When the front bar touches the roller as shown in following figure during retraction, don't try to make them closer, otherwise the product might be damaged



**Take out the crank handle from loop after adjusting the awning as you wish and put it on a place that is not reachable for children to avoid that they play with the awning.**

## General notes of the awning fabric

Awning fabrics are high performance products. Nevertheless, even given today's state of the art and the requirements imposed by environmental protection, there are limits to perfection. Certain appearances in the fabric that are sometimes objected to are still possible despite sophisticated production and processing technology.

Basically, these effects occur to different degrees in almost all awning fabrics. They do not decrease the quality of the fabrics in any way, however.

To avoid irritation, we would like to expressly draw your attention to the following characteristics in terms of consumer education:

- ◆ Creases are created during fabrication and when folding the awning fabric. In the course of this process, especially in lighter colors, surface effects can be created in the crease (pigment displacements), which appear darker with backlight (like stripe of dirt). They do not decrease the value or the performance of the awning.
- ◆ Chalk effects are light stripes that are created when processing refined goods and cannot be totally avoided even with the greatest of care. Thus, they also do not constitute a reason for complaint.
- ◆ Rain impermeability: Acrylic and polyester sun protection awning materials are impregnated with water-repellents and at a minimum tilt of 14 degrees will withstand a light, short rain. In stronger or longer rain, awnings must be retracted to avoid damage. Awnings that are rolled up wet should be extended again as soon as possible for drying.
- ◆ Ripples in the seam, stitch and panel areas are caused by multiple layers of the fabric and various winding strengths in the roller tube. Fabric tension thus caused can cause ripples (e.g. waffle or herringbone patterns).
- ◆ The fabric's yarn need not be the same color as the part of the fabric that contains the seam.

(Excerpt from:  
*Important consumer information: product characteristics of awning fabrics*  
of the Federal Association of Technical Textile Fabrication e. V. BKTex).

## Maintenance

Regular maintenance will not only help to keep a long durability but is also important for your own and the safety of other people.

- ◆ Examine regularly if wall brackets are tight.

- ◆ Examine the gear box once in half a year. If you find any damages stop using the awning until gear box has been repaired or renewed.
- ◆ Examine the bolts and nuts once in half a year, fasten them if loose or lax.
- ◆ Stop using the awning immediately if it has been damaged or it is not tightened properly.

Please contact an authorized service centre for repair.

Normally it is not necessary to lubricate moving parts of the awning. However, if it will be necessary on day do not use lubricants that are based on petroleum.

Use a straw attached to the spray nozzle. Lubricate generously the area between the end of the roller tube and the end bracket (pivot pin). Take care not to overspray on the fabric material.

## Cleaning

Over time, dust and dirt will collect on the frame and will require periodic cleaning to maintain its appearance.

A mild spray cleaner or water/detergent mixture may be applied to the frame and then wiped clean. In most situations it should not be necessary to lubricate the moving component parts of your awning.

Clean the fabric once in half a year and replace once in two years.

Always use a natural soap for cleaning. Water should be cold to lukewarm. Let the fabric dry completely. Do not use heating appliances e. g. hairdryer for drying, only let it dry by natural air.

## Storage

When you do not want to use the awning for a longer period of time it is recommended to take the awning out of the brackets and store it.

**Attention! At least two healthy adults are needed for this step.**

- ◆ Make sure that the fabric is dry completely before storing. Storing a wet fabric can cause spots and damage.
- ◆ Retract the awning completely.
- ◆ Bind the arms of the awning with a rope so that awning cannot unfold unintended. This might cause damage and injury. You can use the protection band that you could find on the arms after purchasing this product.
- ◆ Remove the awning by following step 6 of mounting instructions in reversed order.
- ◆ Store the awning at a dry and safe place that is not reachable for children.

## Dismounting

If you do not want to use the awning any longer or if you want to dispose it, you have to dismount it.

**Attention! At least two healthy adults are needed for this step.**

- ◆ Retract the awning completely before you begin with dismounting. Bind the arms of the awning together to avoid unintended unfolding. This might cause damage and injury. You can use the protection band that was fixed on the awning when purchasing it.
- ◆ Follow the mounting instructions in reversed order to dismount the awning.

**Attention! Safety hints and instructions have to be followed for dismounting as well.**

