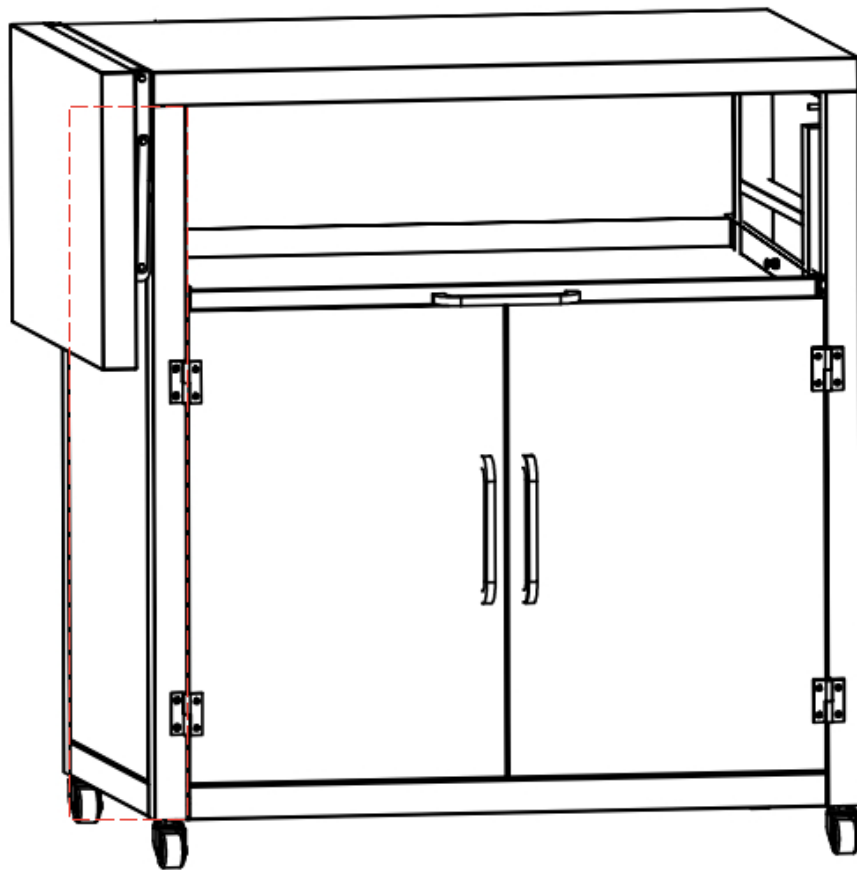


ASSEMBLY INSTRUCTIONS










folding table



Assembly Instructions

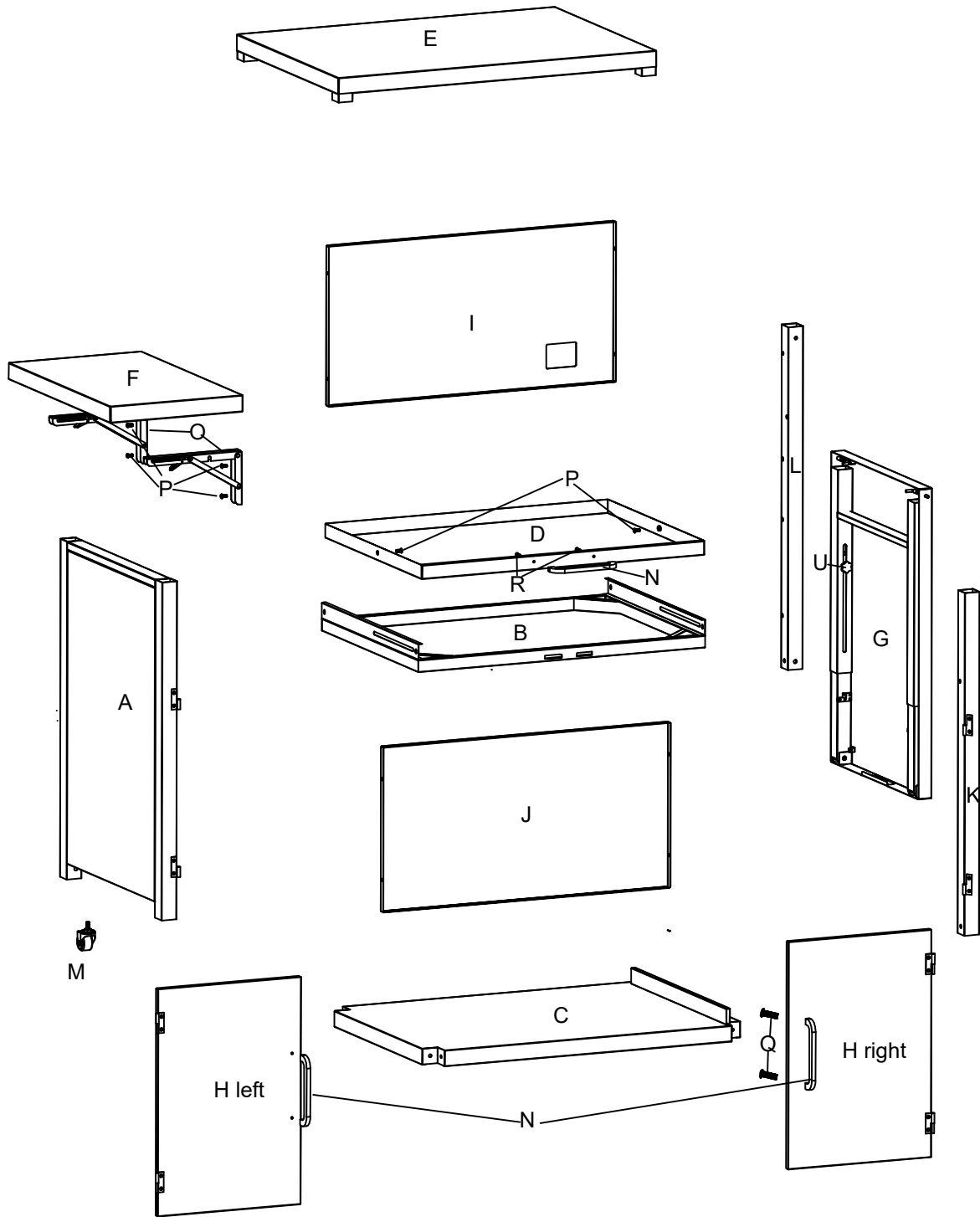
Caution : You must read this before you proceed

Care & Maintenance

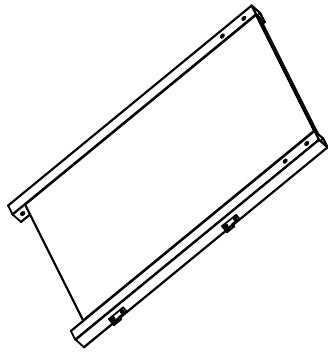
- ⊘  ● Not for commercial use. For residential use only.
- ⊘  ● Do not put hot items directly on furniture surface.
- ⊘  ● Do not clean furniture with harsh cleansers or polish.
- ✓  ● To obtain the longest lifespan of your outdoor products, minimizing exposure to direct sunlight is recommended.
- ⊘  ● Children should not climb or jump on the furniture.
- ⊘  ● Do not write on furniture without a padded barrier to protect the surface.
- ✓  ● To obtain the longest lifespan of your outdoor products, avoid extended and lengthy exposure to rain, snow, and direct sunshine. Whenever possible cover the product and /or place under patio or awnings.
- ⊘  ● Stains may be removed with mild soap solution and damp cloth.
- ✓  ● Dust and pick-up spills using a clean, non-colored, lint-free cloth.

Please look in Mobile folding table for hardware packs and legs.
Sets often ship in multiple boxes and may arrive a day or two apart.

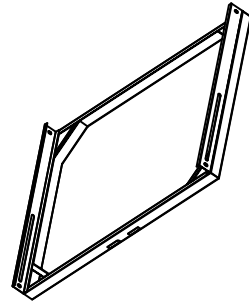
Assembly Instruction



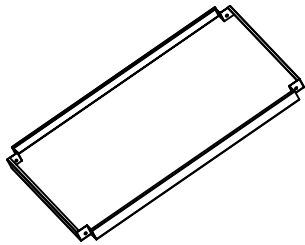
Parts Lists



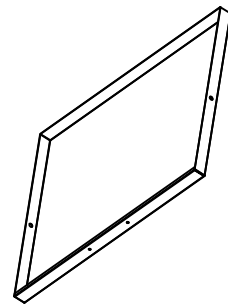
(A) x1



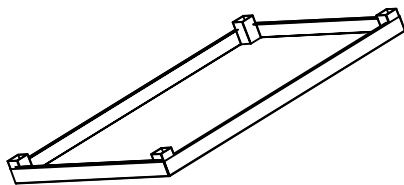
(B) x1



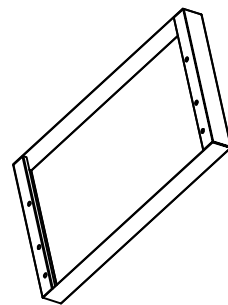
(C) x1



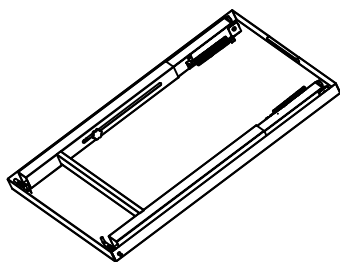
(D) x1



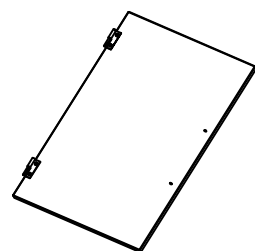
(E) x1



(F) x1

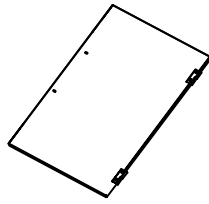


(G) x1

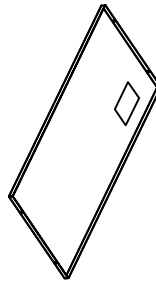


(H) left x1

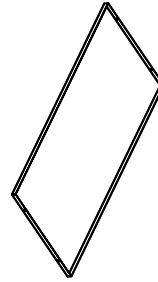
Parts Lists



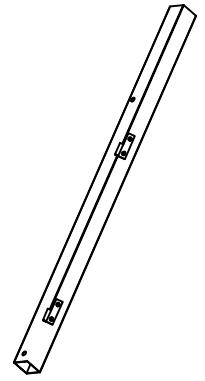
(H) right x1



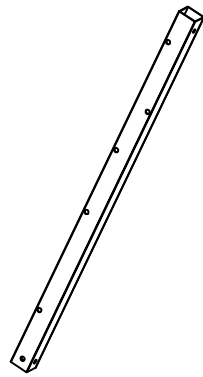
(I) x1



(J) x1



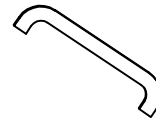
(K) x1



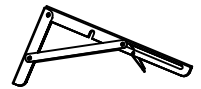
(L) x1



(M) x4



(N) x3



(O) x2

Hardware



M6x10mm

(P) x32



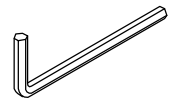
M4x20mm

(Q) x5



M4x10mm

(R) x3



6mm

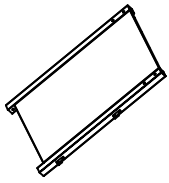
(S) x1

Before installing the Mobile folding table , you should prepare the following tools for installation:

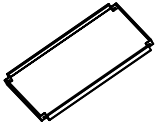
Screwdriver
Allen wrench
Cordless drill

Assembly Instruction

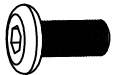
<1>



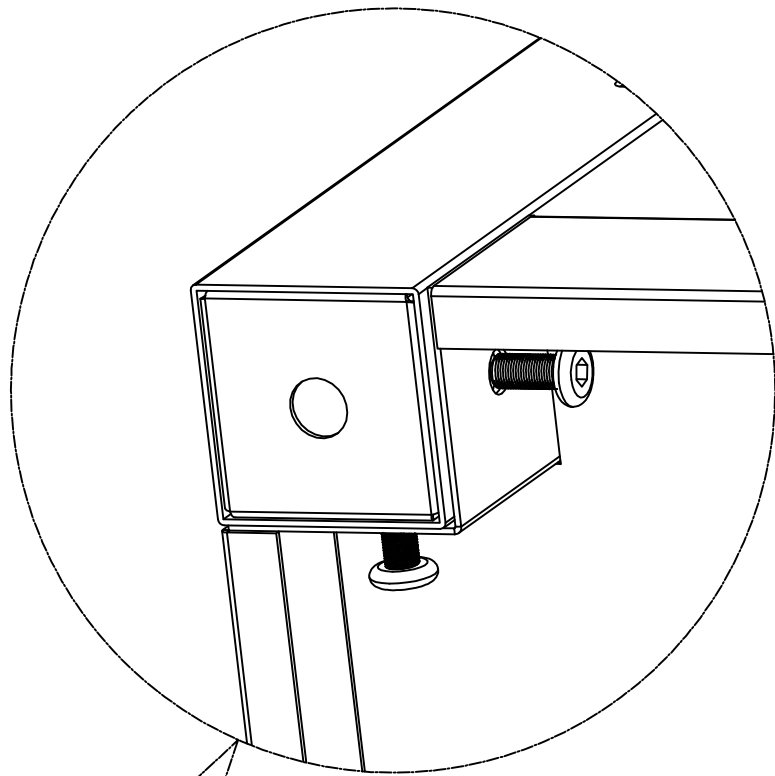
(A) x1



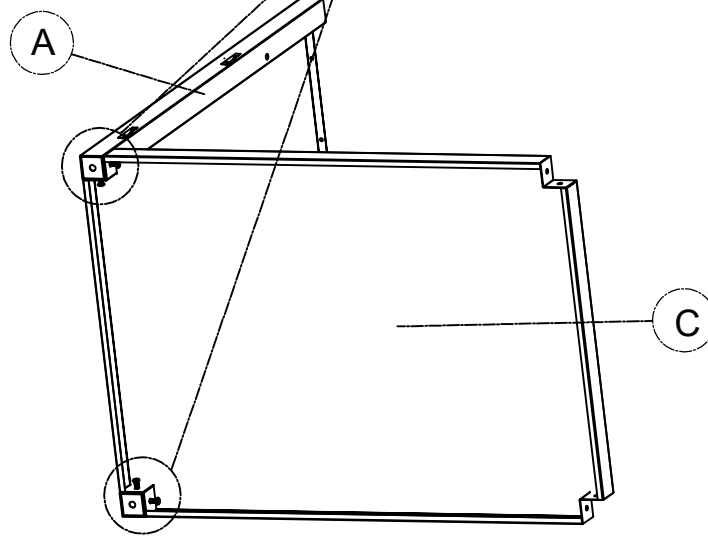
(C) x1



(P) x4



picture 1



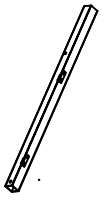
Step 1: Install the base plate

As shown in picture1: First, put (A) and (C) together, use screw (P) to pass through (C) and the holes in (A), connect (C) to (A), and then tighten the screws, Using the (S) allen wrench.

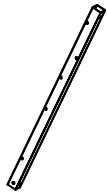
Note: All the corresponding hole positions and the screws must be concentric.

Assembly Instruction

<2>



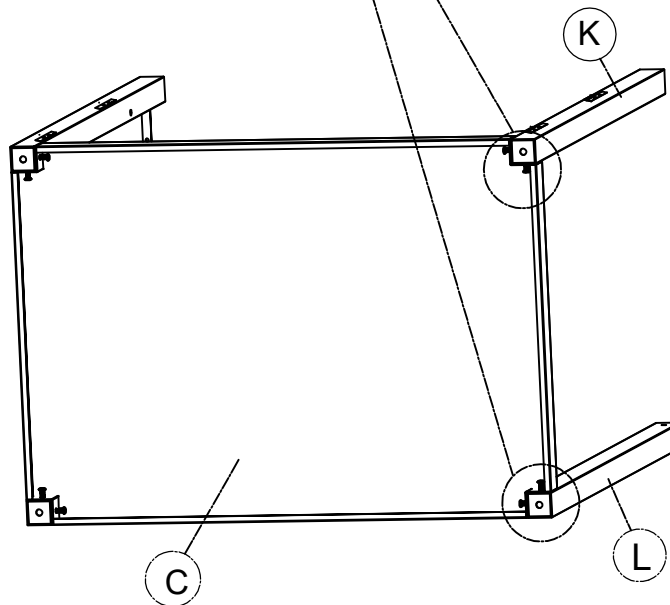
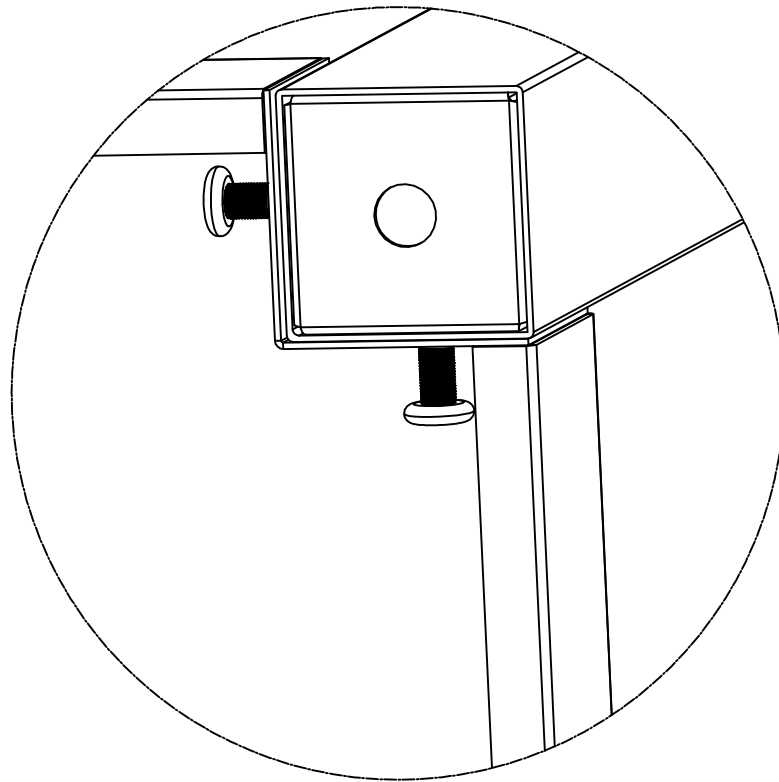
K x1



L x16



P x4



picture 2

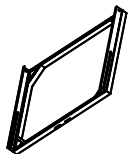
Step 2: Install the legs of the right side

As shown in picture2: First, put K and C together, use screw P to pass through C and the holes in K, connect K to C, and then tighten the screws, Using the allen wrench. Using the same method, you can connect L to C.

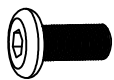
Note: All the corresponding hole positions and the screws must be concentric.

Assembly Instruction

<3>

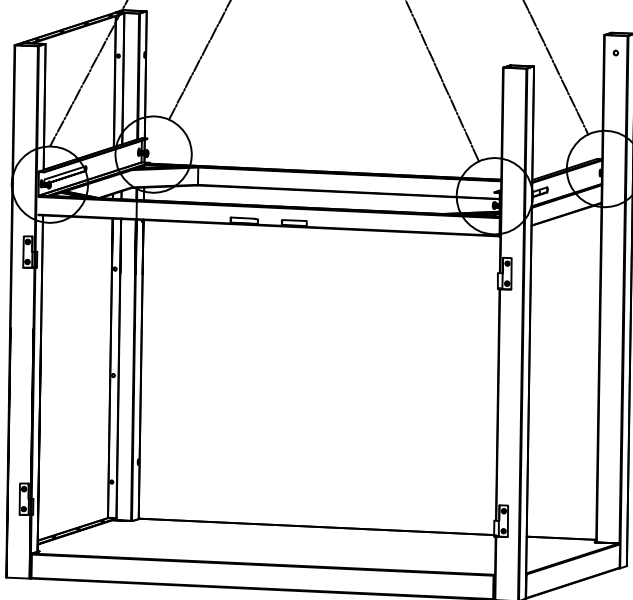
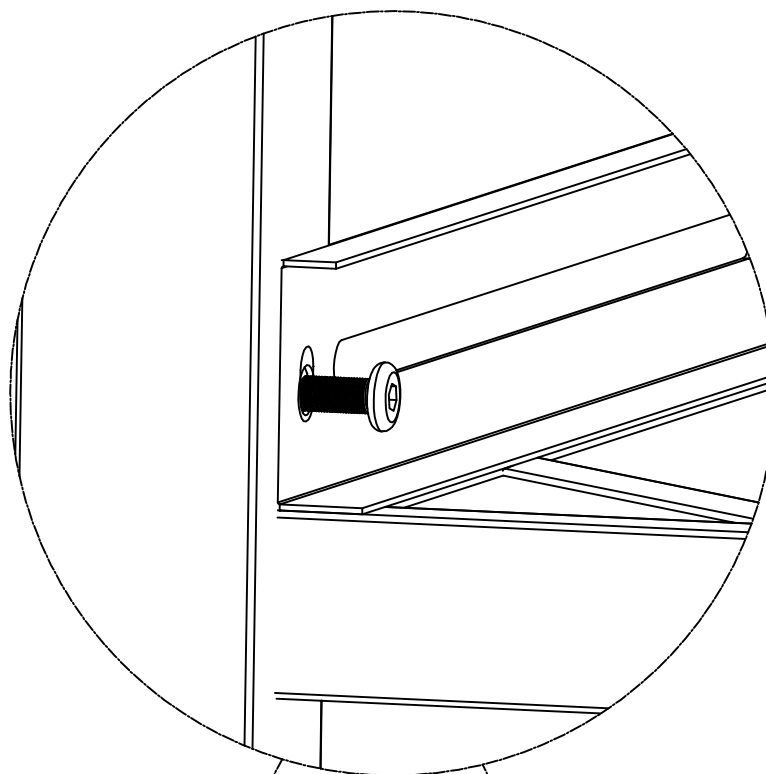


Ⓑ x1



M6x10mm

Ⓟ x4



picture 3

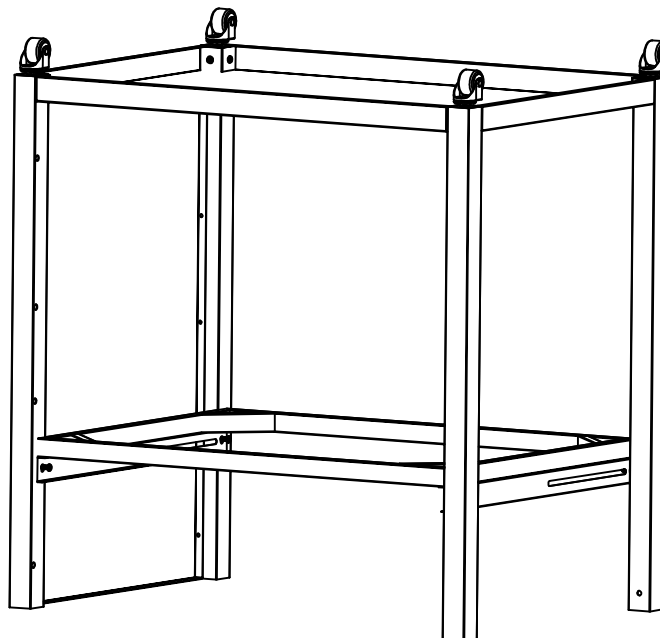
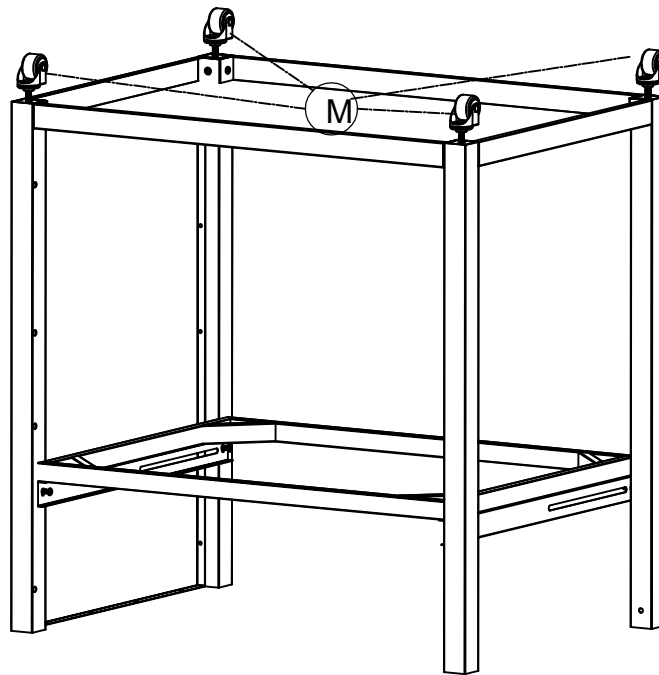
Step 3 : Install Ⓑ part
As shown in the picture 3:
Note: All corresponding hole positions must be concentric.

Assembly Instruction

<4>



(M) x4



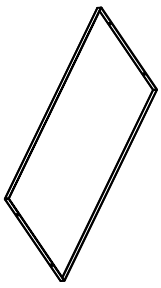
picture 5

Step 4 : Install the universal wheel

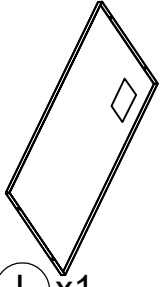
As shown in the picture: Put the mobile folding table upside down, then install the universal wheels (E) on each of the four legs. make the screws of the universal wheels and the holes on the legs are concentric. and then tighten all the screws of the universal wheel.

Assembly Instruction

<5>



ⓐ x1

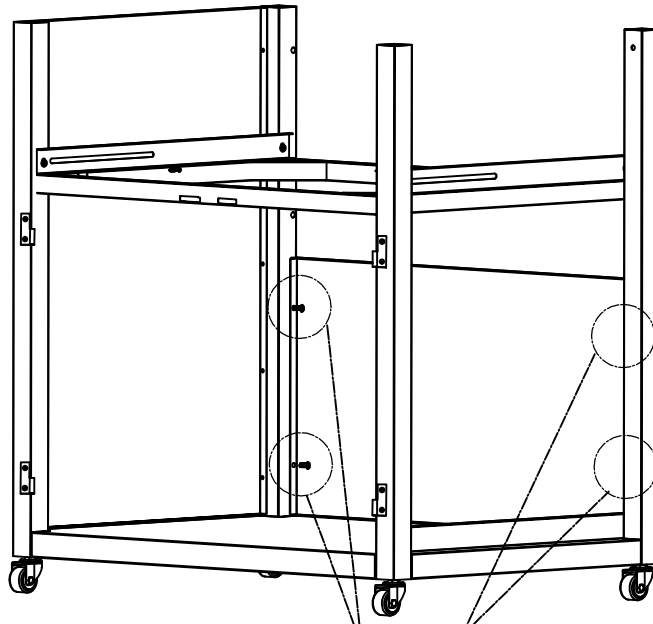


ⓑ x1

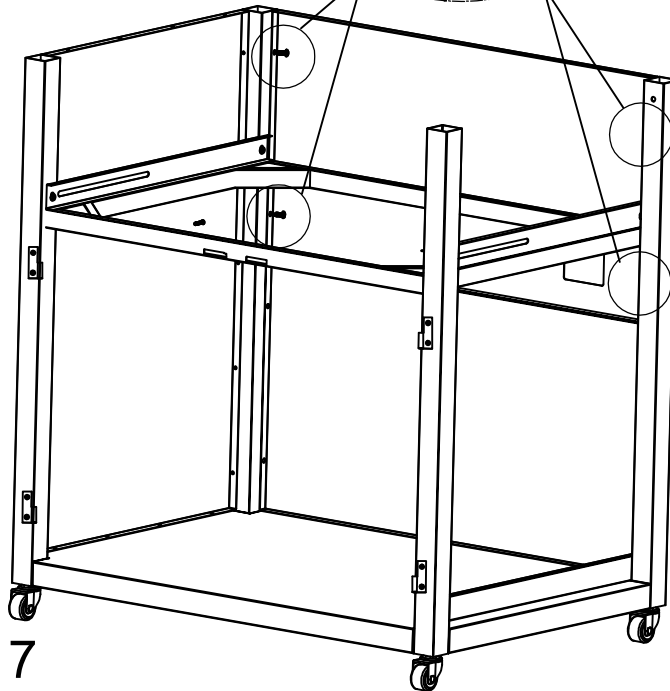
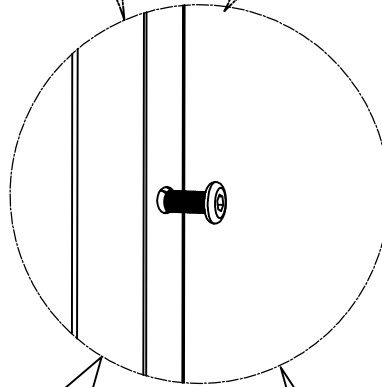


M6x10mm

ⓒ x4



picture 6



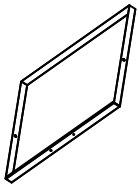
picture 7

Step 5: Install the backboards

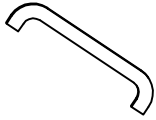
As shown in the picture: Put the lower backboard ⓐ between the hind legs, make the screws of the backboard and the holes on the hind legs are concentric. and then tighten all the screws. Using the same method, you can install the upper backboard ⓑ.

Assembly Instruction

<6>



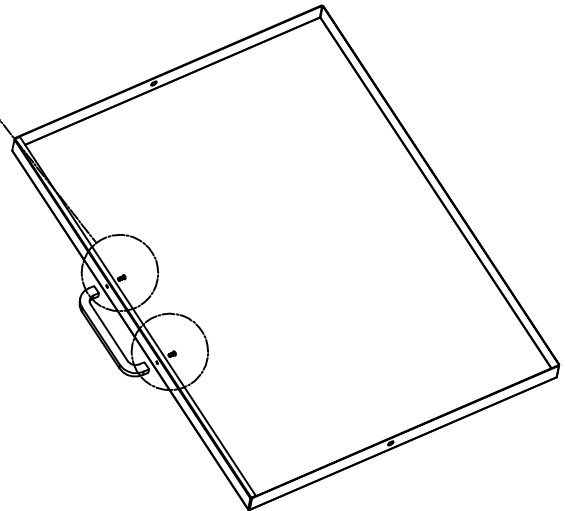
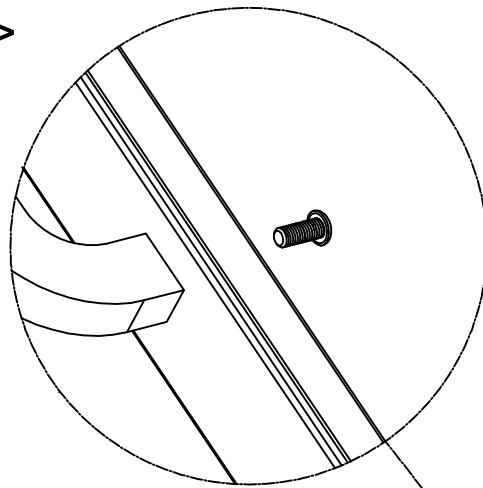
(D) x1



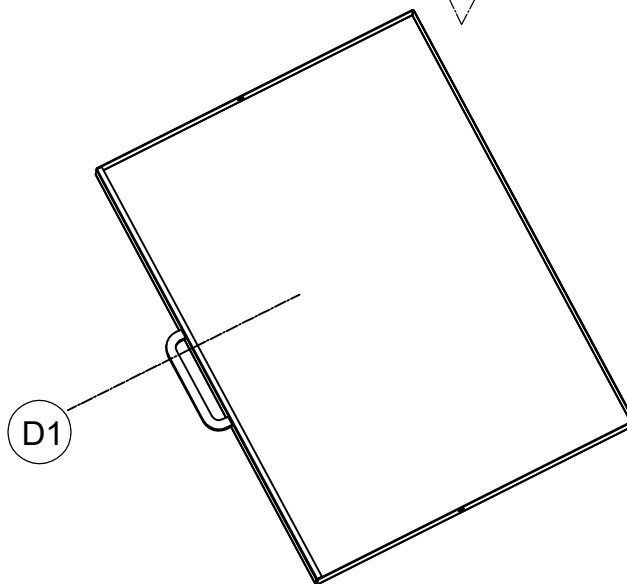
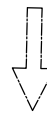
(N) x1

M4x10mm

(R) x2

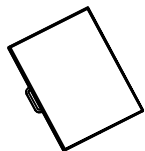


picture 8



picture 9

Step 6: Install the drawer handle
As shown in the picture 8 to picture 9:
Note: All corresponding hole positions must be concentric.



Assembly Instruction

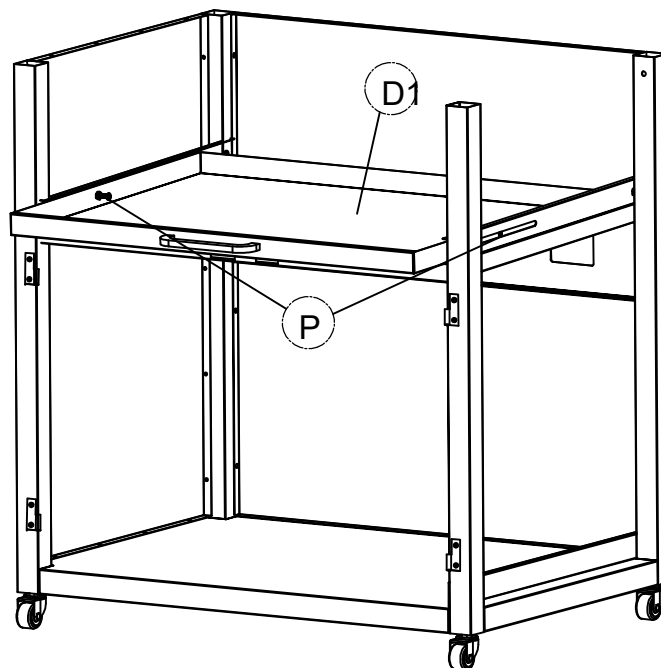
<7>

D1 x1

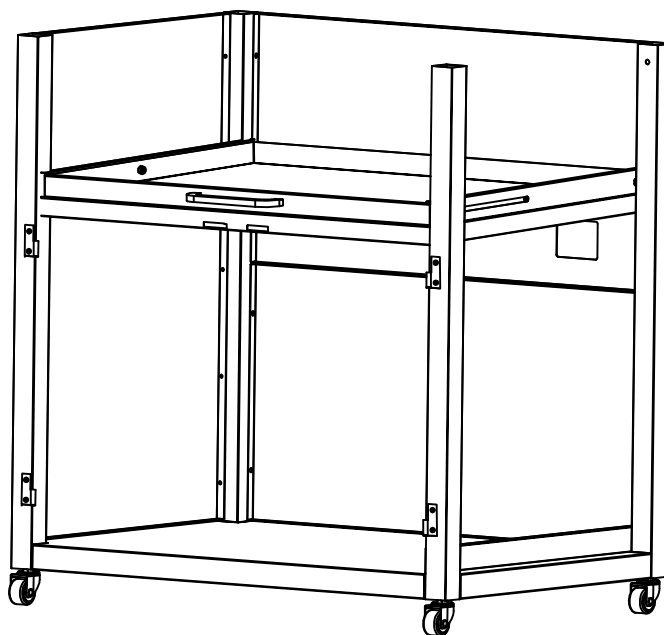


M6x10mm

P x2



picture 10



picture 11

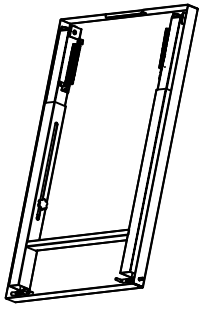
Step 7: Install the drawer

As shown in the picture 8 to picture 9: and then tighten all the screws .

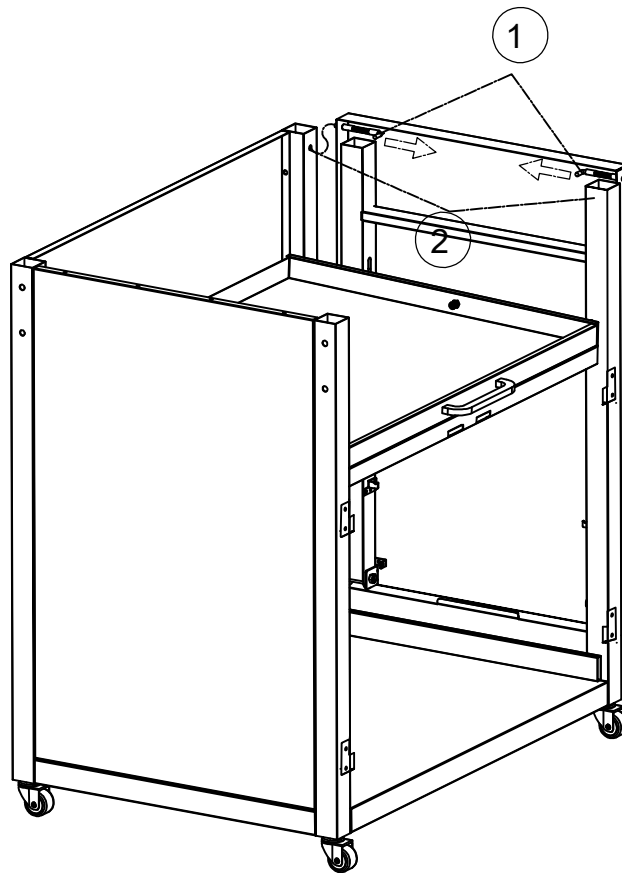
Note: All corresponding hole positions must be concentric.

Assembly Instruction

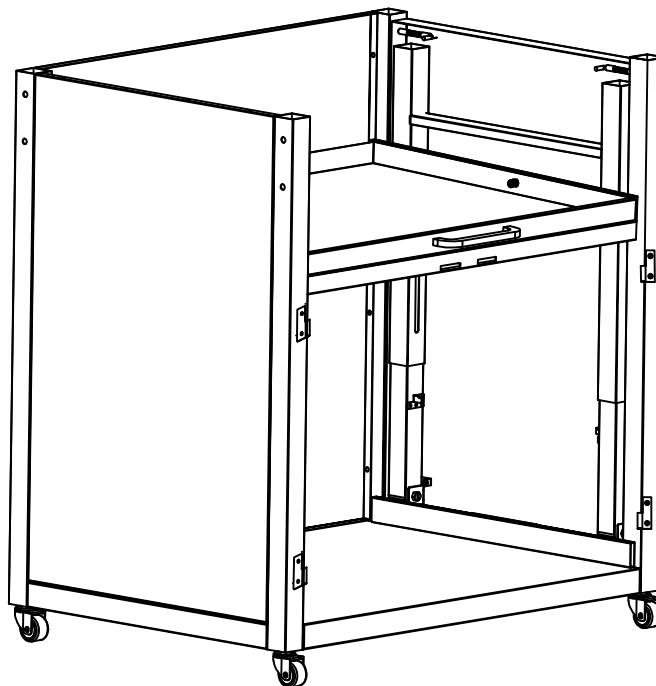
<8>



G x1



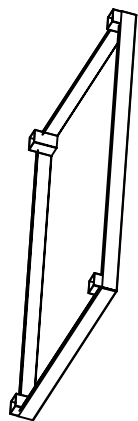
picture 12



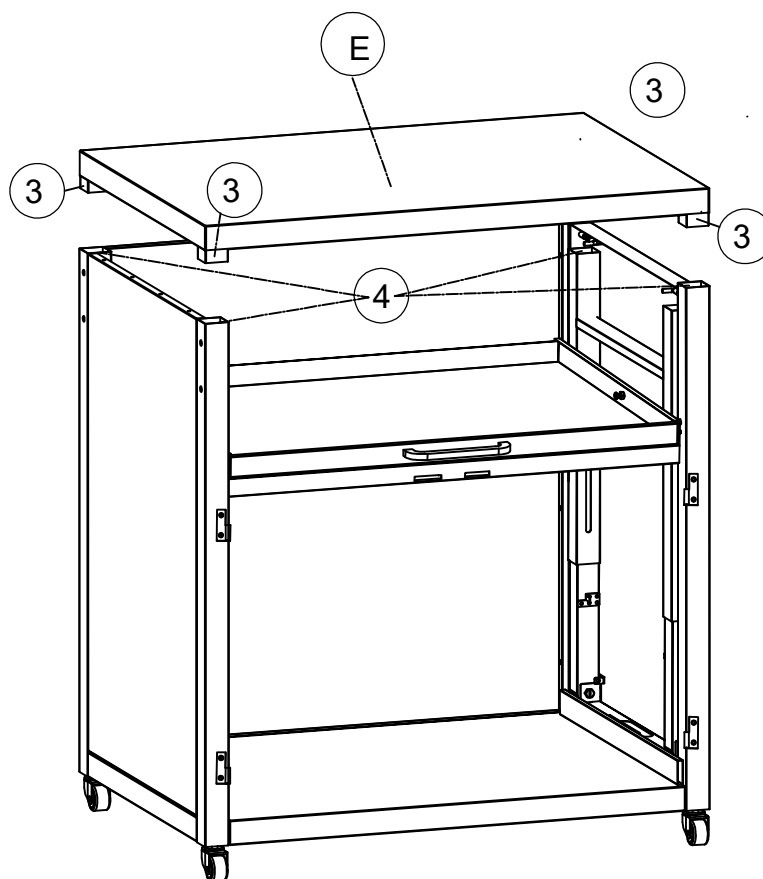
Step 8: Install the folding table on the right side
As shown in the picture 12 to picture 13: First, pull plugs ① inside at the same time, and make ① and the holes ② on the legs are concentric using your hands. Then release hands.

Assembly Instruction

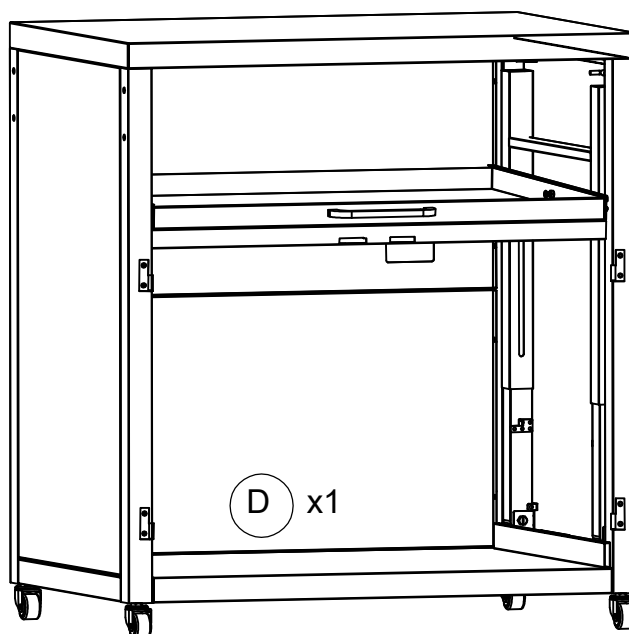
<9>



E x1



picture 14



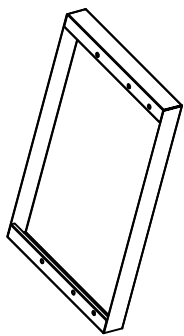
picture 15

Step 9: Install the desktop

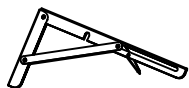
As shown in the picture 14 to picture 15: Make ③ target ④, then press the desktop.

Assembly Instruction

<10>



F x1

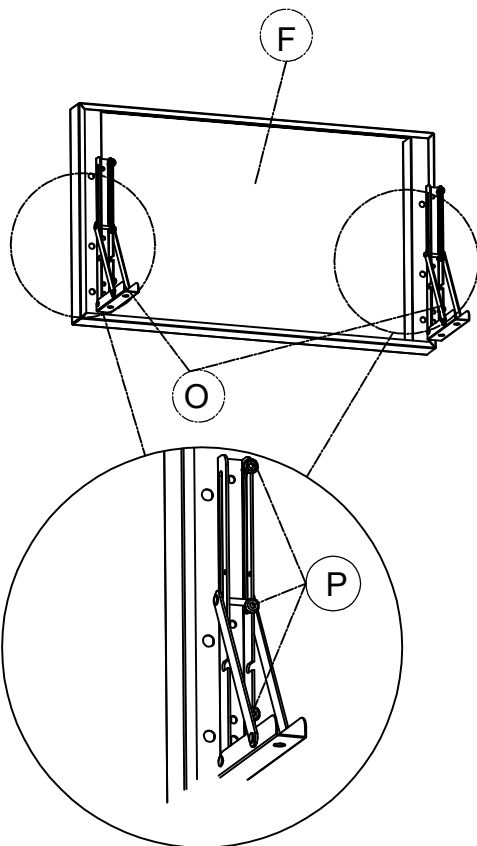


O x2

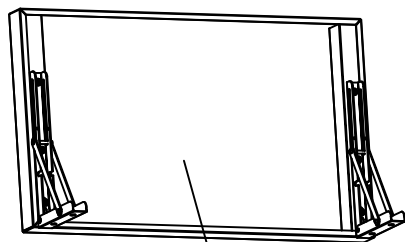


M6x10mm

P x4



picture 16



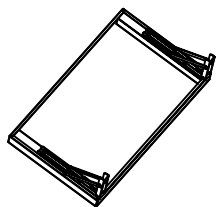
picture 17

F x1

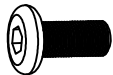
Step 10: Install the folding stand

As shown in the picture 16 to picture 17:

Note: All corresponding hole positions must be concentric.



F x1

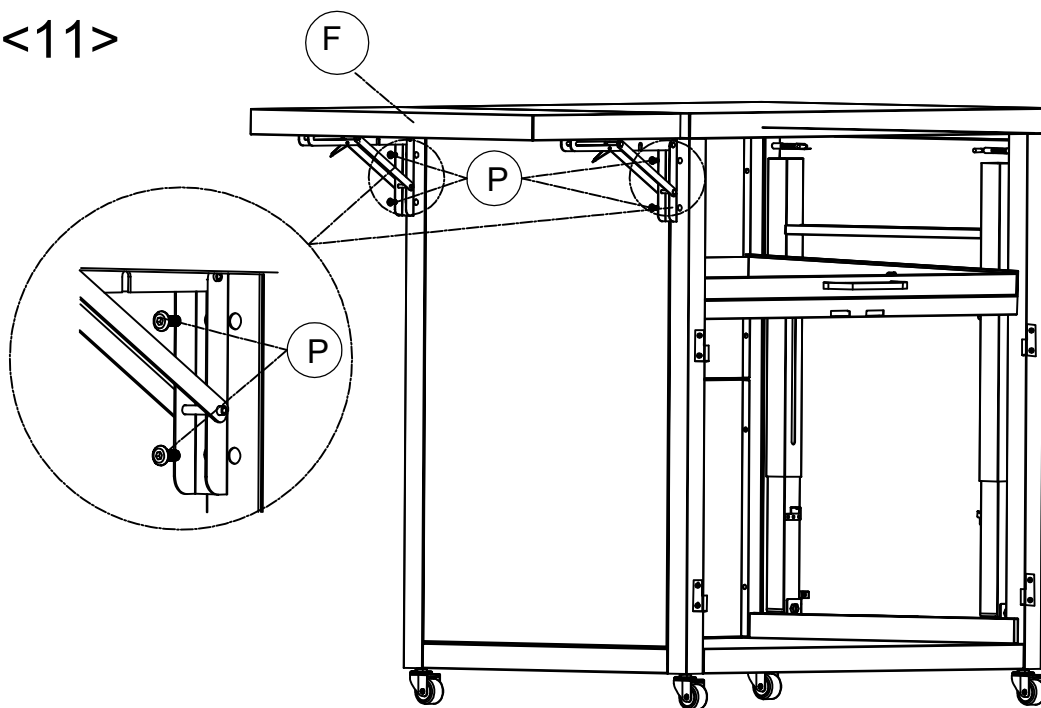


M6x10mm

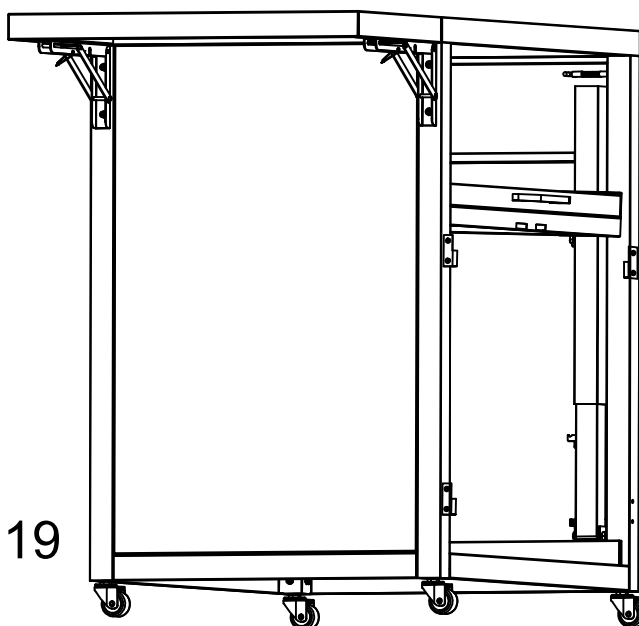
P x4

Assembly Instruction

<11>



picture 18

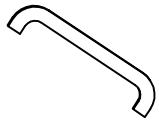


picture 19

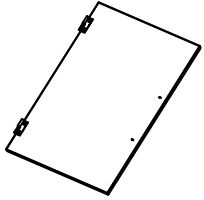
Step 11: Install the folding table on the left side

As shown in the picture 18 to picture 19: First, pull plugs ① inside, and make 1 and the holes ② on the legs are concentric, using your hands. Then release hands.

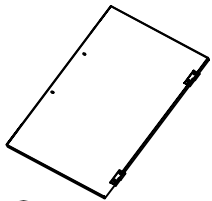
Note: All the corresponding hole positions and the screws must be concentric.



(N) x2



(H) left x1



(H) right x1

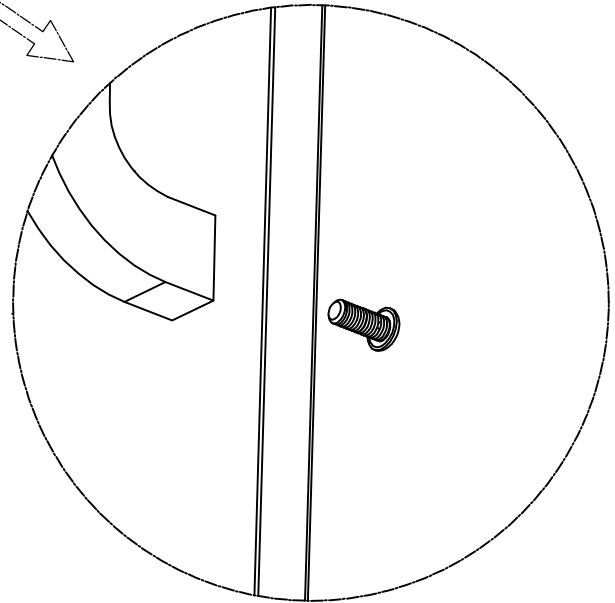
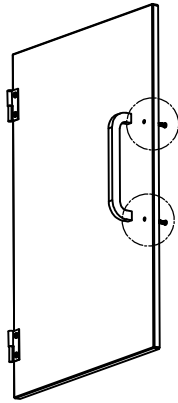


M4x20mm

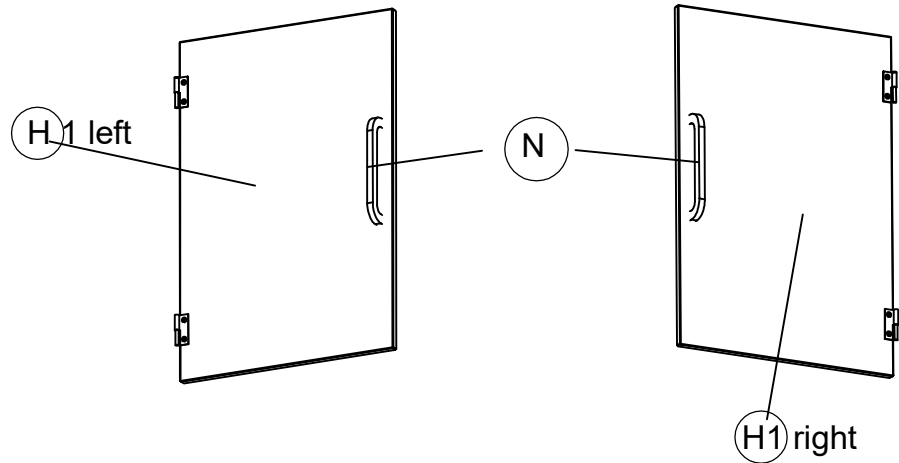
(S) x4

Assembly Instruction

<12>



picture 20

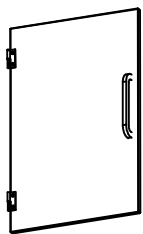


picture 21

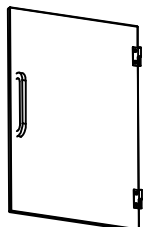
Step 12 : Install the door handle
As shown in the picture 20 to picture 21:
Note:All corresponding hole positions must be concentric.

Assembly Instruction

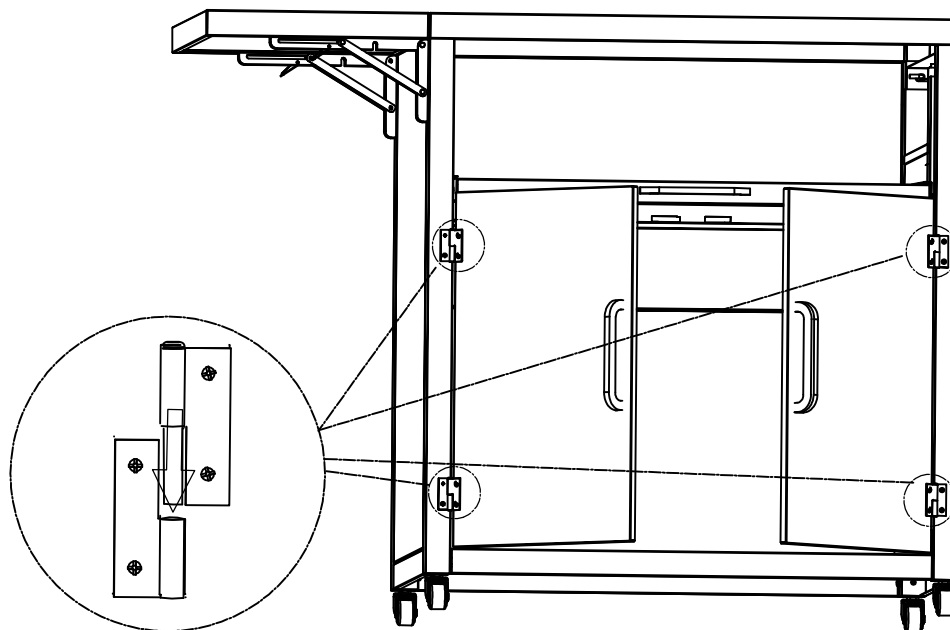
<13>



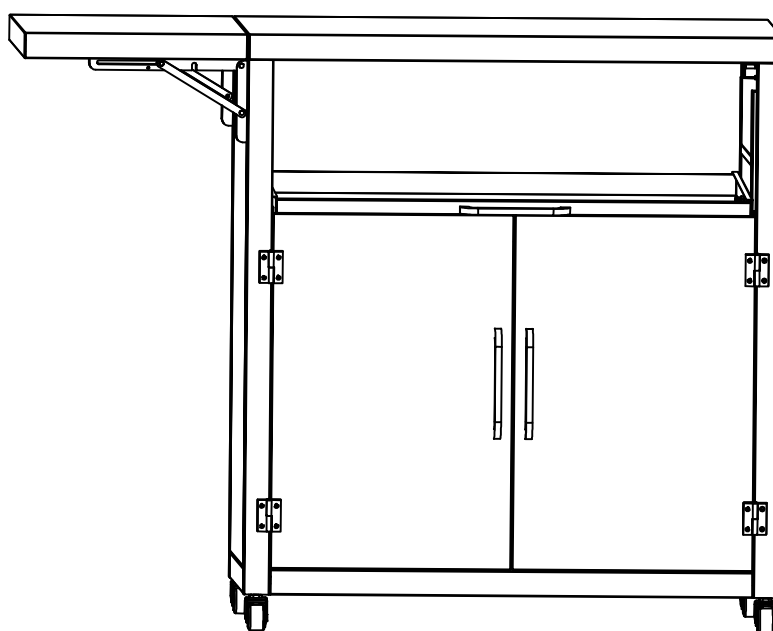
H1 left x1



H1 right x1



picture 22



picture 23

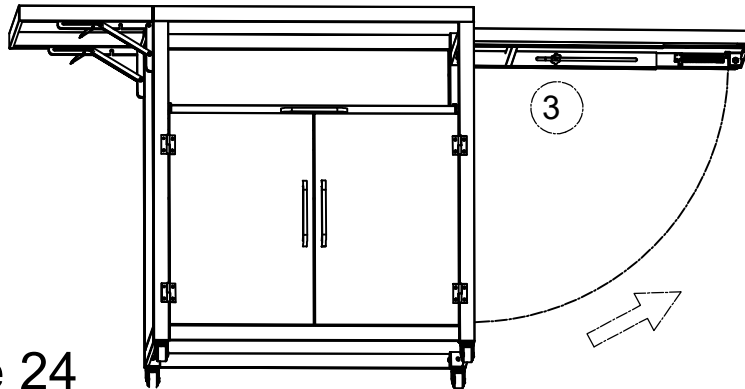
Step 13 : Install the door

As shown in the picture 22 to picture 23:

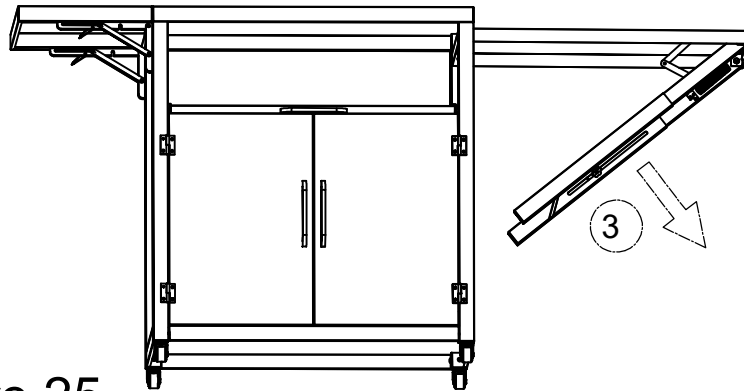
Note: All corresponding hole positions must be concentric.

Assembly Instruction

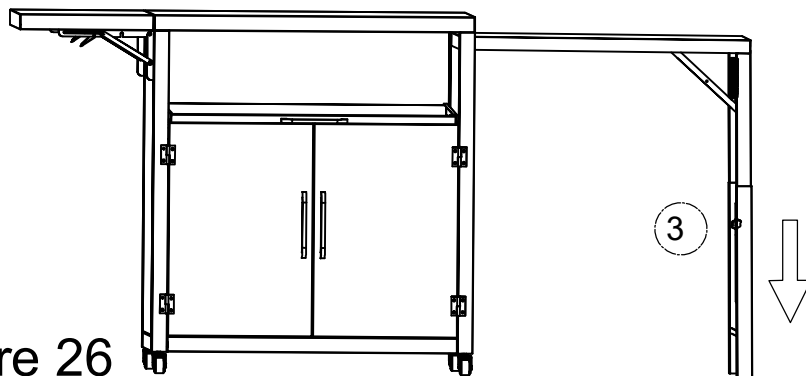
<14>



picture 24



picture 25



picture 26

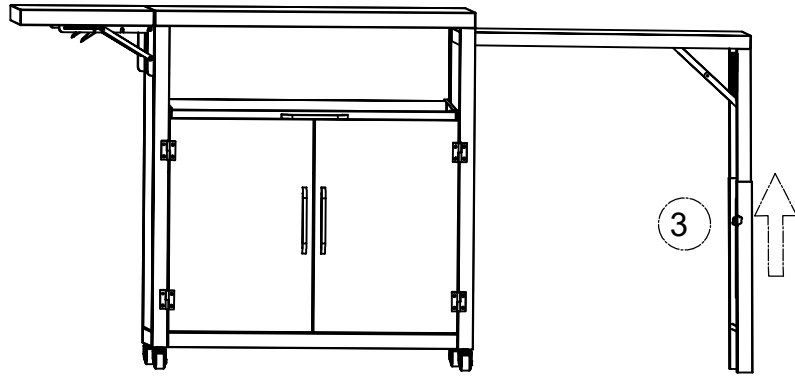
Step 14: How to use the mobile folding table

1. How to expand the mobile folding table:

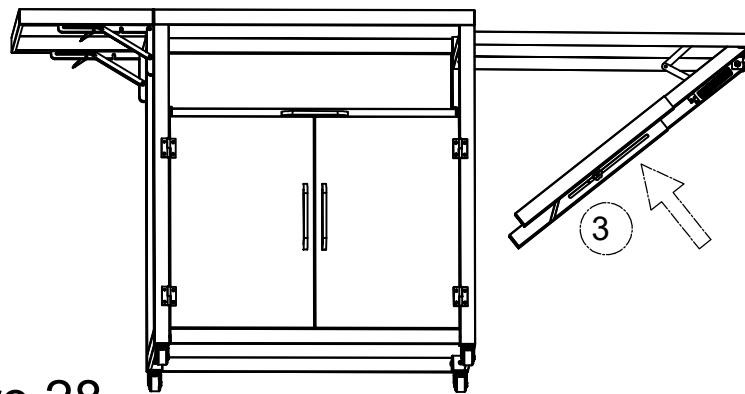
As shown in the picture 24 to picture 26: First start the folding table on the left side, until the desktop is level. Then start the folding table on the right side, Release the screw 3 first turn the folding legs outside, and put them down, until the desktop is level. and then tighten the screws to prevent the desktop falling down.

Assembly Instruction

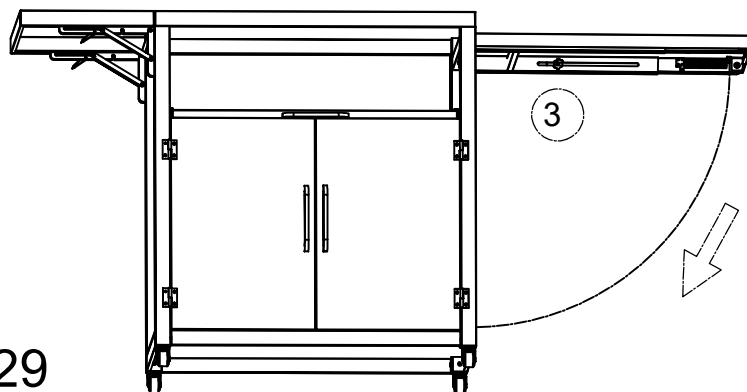
<15>



picture 27



picture 28



picture 29

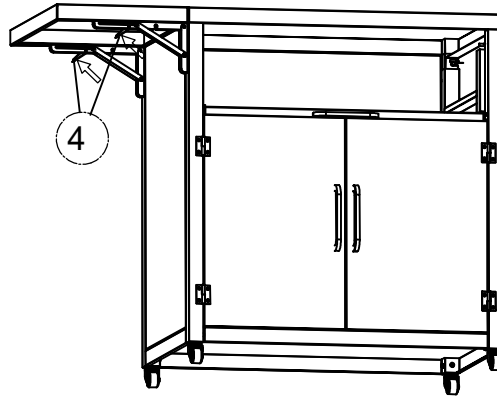
Step 14: How to use the mobile folding table

2.How to retract the mobile folding table:

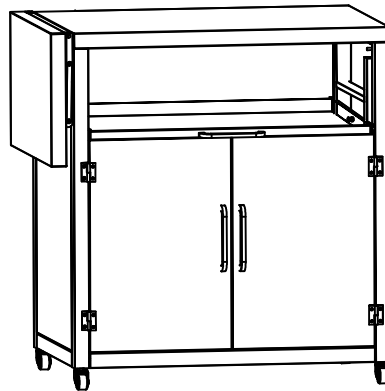
As shown in the picture 27 to picture 29: First retract the folding table on the right side,Release the screw 3 ,turn down the folding table on the right ,until the desktop is vertical.

Assembly Instruction

<16>



picture 30



picture 31

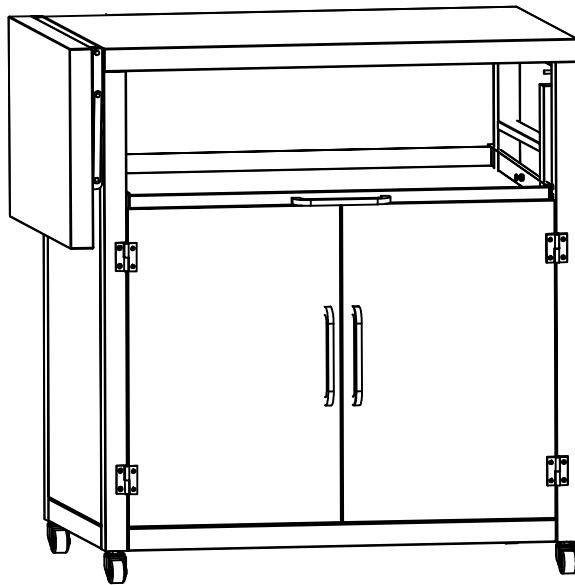
Step 15: How to use the mobile folding table

2.How to retract the mobile folding table:

As shown in the picture 30 to picture 31: First retract the folding table on the left side,press upwards the two button 4 at the same time ,then turn the desktop down until it is vertical.

Assembly Instruction

<17>



picture 32

Questions & Answers about Proposition 65

- What is Proposition 65?

Proposition 65 requires businesses to provide warnings to Californians about significant exposures to chemicals that cause cancer, birth defects or other reproductive harm. These chemicals can be in the products that Californians purchase, in their homes or workplaces, or that are released into the environment. By requiring that this information be provided, Proposition 65 enables Californians to make informed decisions about their exposures to these chemicals.

Proposition 65 also prohibits California businesses from knowingly discharging significant amounts of listed chemicals into sources of drinking water.

Proposition 65 requires California to publish a list of chemicals known to cause cancer, birth defects or other reproductive harm. This list, which must be updated at least once a year, has grown to include approximately 900 chemicals since it was first published in 1987.

- What does a warning mean?

If a warning is placed on a product label or posted or distributed at a workplace, a business, or in rental housing, the business issuing the warning is aware or believes that it is exposing individuals to one or more listed chemicals.

By law, a warning must be given for listed chemicals unless the exposure is low enough to pose no significant risk of cancer or is significantly below levels observed to cause birth defects or other reproductive harm.