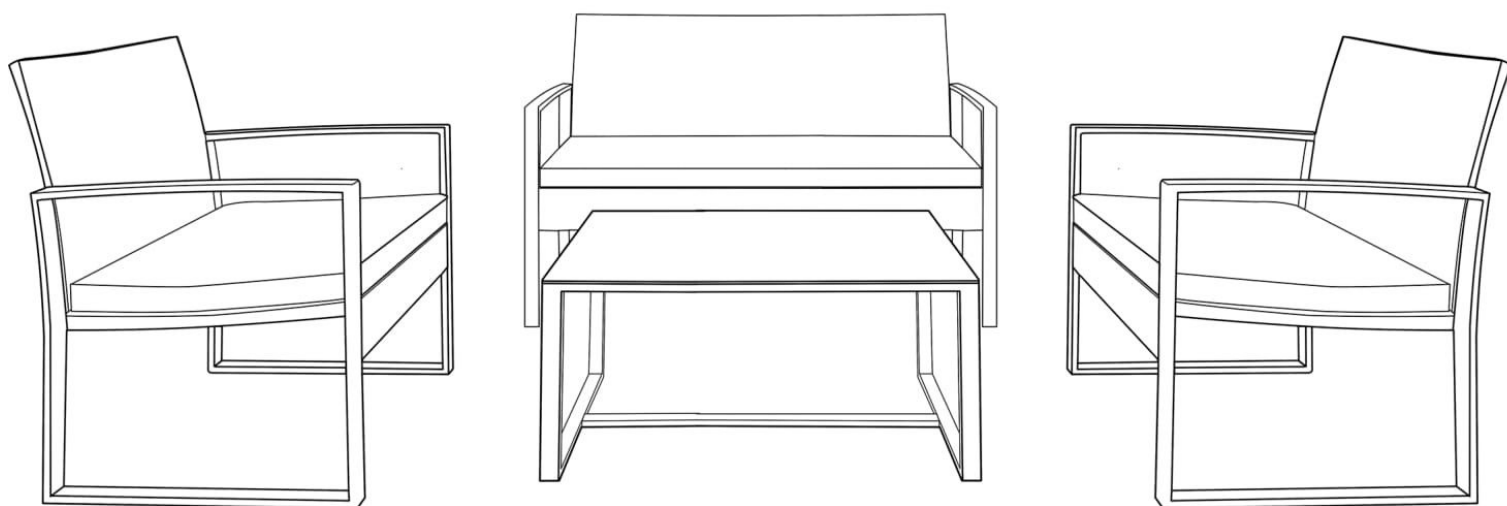


# ASSEMBLY INSTRUCTIONS

---

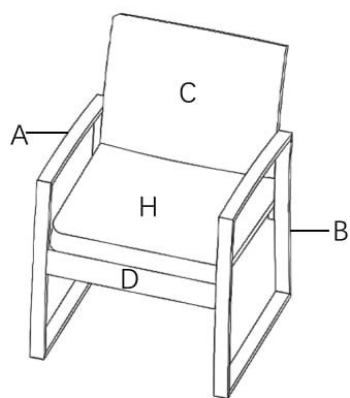
## ▪ 4-Piece

Rattan Patio Furniture Set

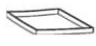










# Parts

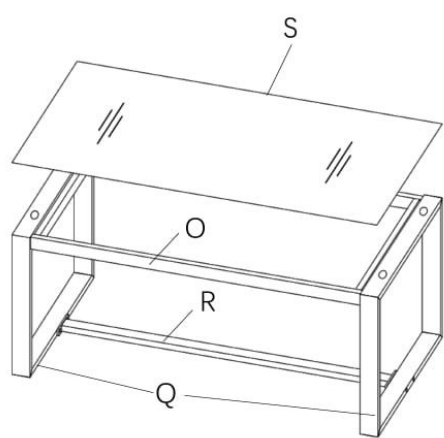
Check and make sure you get the components on the list, contact us for any missing



■ 2-Single Rattan Chair

- A: Right Arm Rest  2 pcs
- B: Left Arm Rest  2 pcs
- C: Rattan Chair backrest  2 pcs
- D: Rattan Chair Cushion  2 pcs
- E: M6\*30 Screw  M6\*30  
8 pcs
- F: M6\*40 Screw  M6\*40  
8 pcs
- P: M6\*15 Screw  M6\*15  
4 pcs
- G: Iron Washers  20 pcs
- H: Rattan Chair Sponge Cushion  2 pcs

- Install Tool  1 pcs
- Wrench  1 pcs



■ 1-Rattan Coffee Table

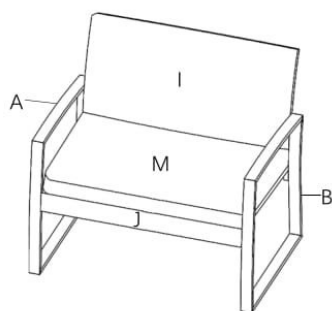
- Q: Coffee Table left Right Support  2 pcs
- O: Desktop Support  1 pcs
- R: Bottom Fixing Rod  1 pcs
- S: Coffee Table Glass  1 pcs
- P: M6\*15 Screw  M6\*15  
4 pcs
- N: M6\*25 Screw  M6\*25  
4 pcs
- G: Iron Washers  8 pcs



Tips: DO NOT tighten any screws until all the parts are put together.

# Parts

Check and make sure you get the components on the list, contact us for any missing



## ■ 1- Loveseat

A: Right Arm Rest



2 pcs

B: Left Arm Rest



2 pcs

I: Double Back



1 pcs

J: Double seat



1 pcs

E: M6\*30 Screw



M6\*30  
4 pcs

F: M6\*40 Screw



M6\*40  
4 pcs

K: M6\*68 Screw



M6\*68  
4 pcs

P: M6\*15 Screw



M6\*15  
2 pcs

G: Iron Washers



11 pcs

L: M6 nut



1 pcs

M: Double seat cushion

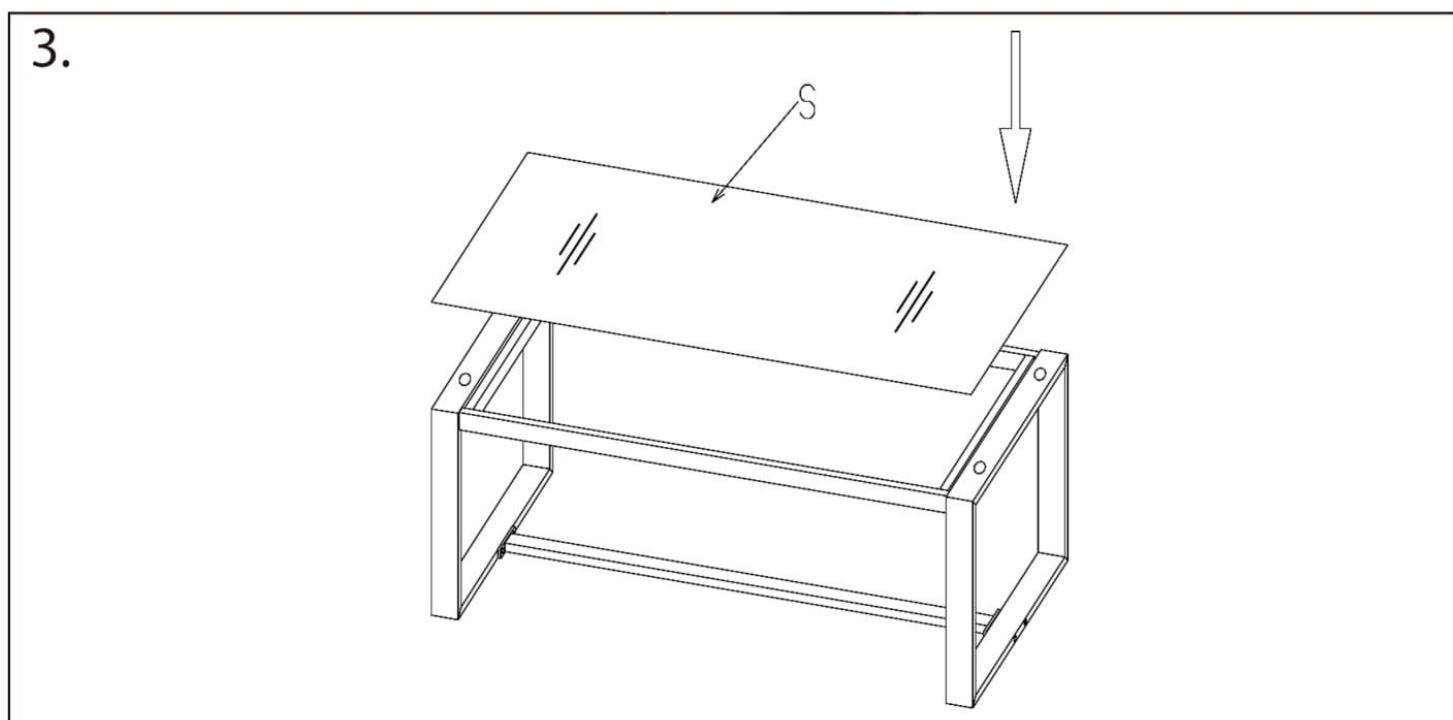
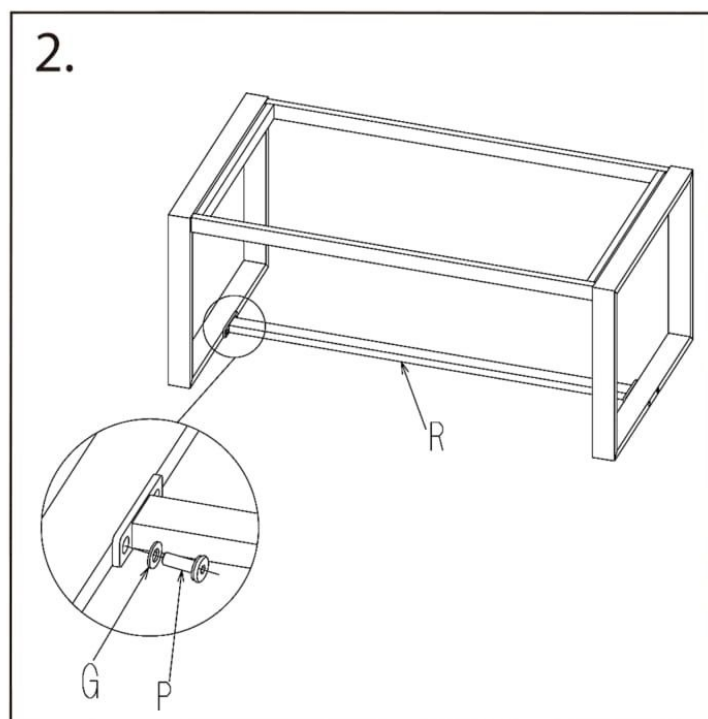
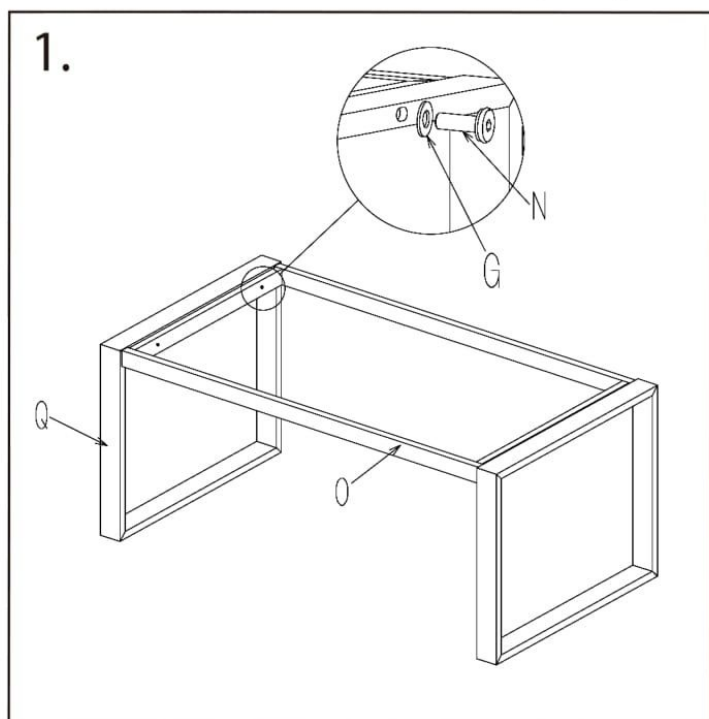


1 pcs

# Assembly steps

Tips: DO NOT tighten any screws until all the parts are put together.

## ■ Rattan Coffee Table Assembly step

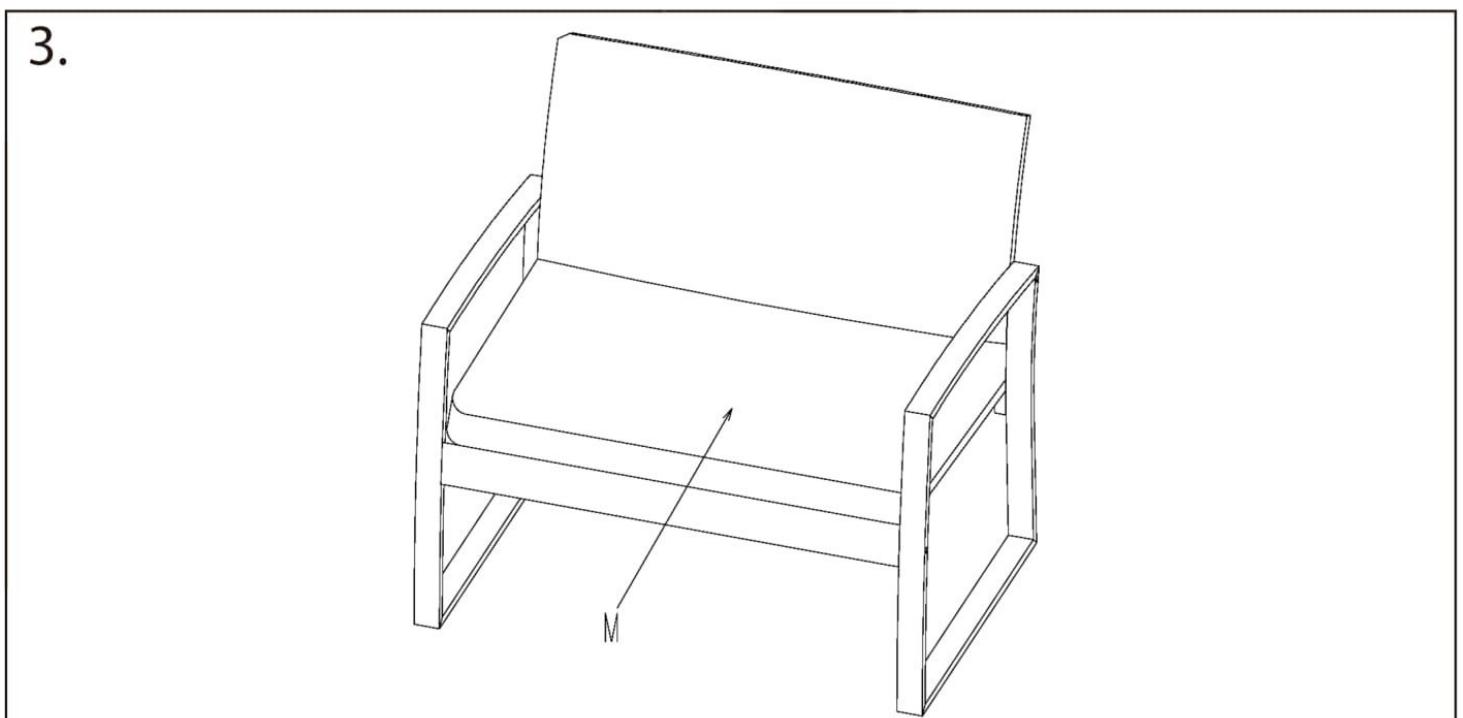
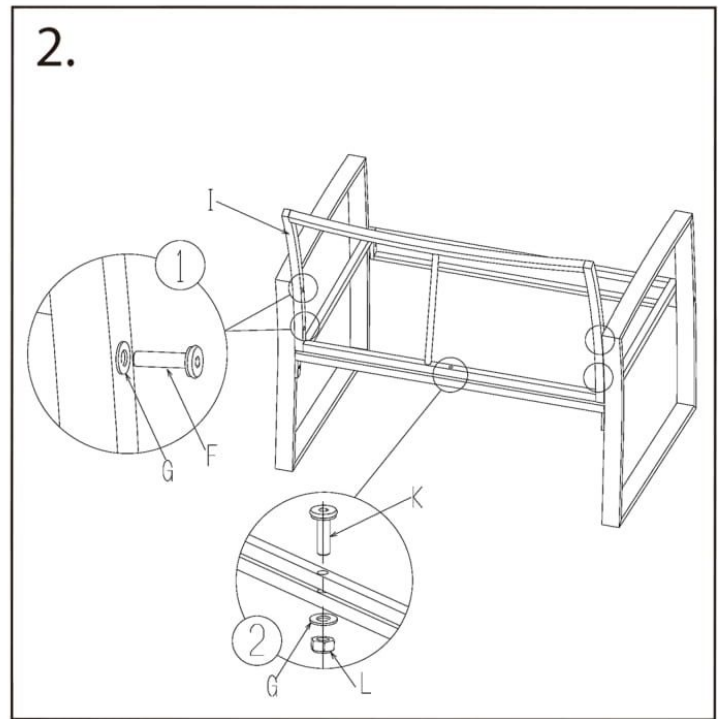
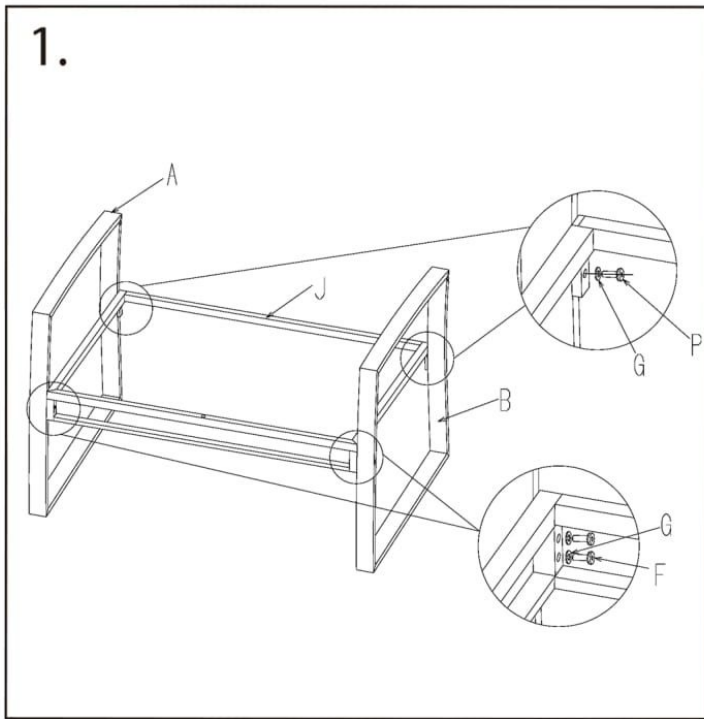


Please scan the QR code on the cover for assembly video.

# Assembly steps

Tips: DO NOT tighten any screws until all the parts are put together.

## ■ Loveseat Chair Assembly step

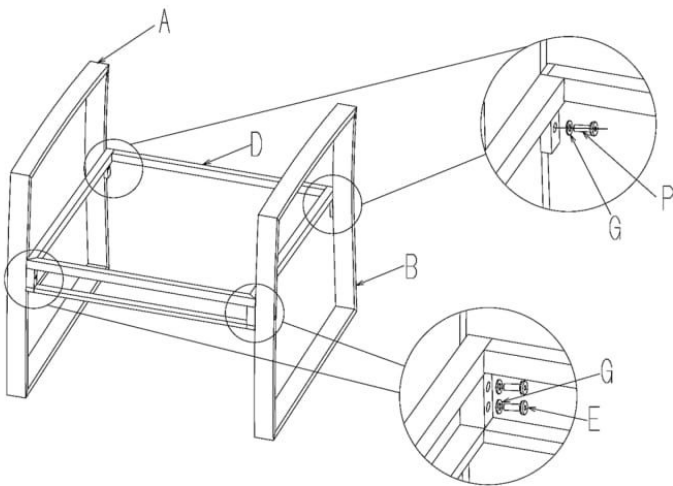


# Assembly steps

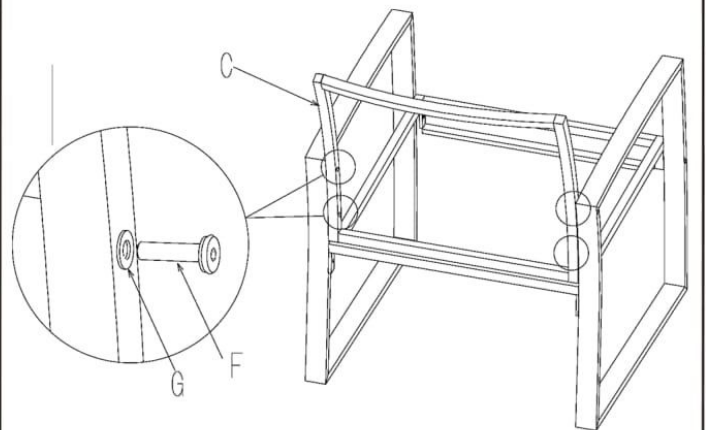
Tips: DO NOT tighten any screws until all the parts are put together.

## ■ Single Rattan Chair Assembly step

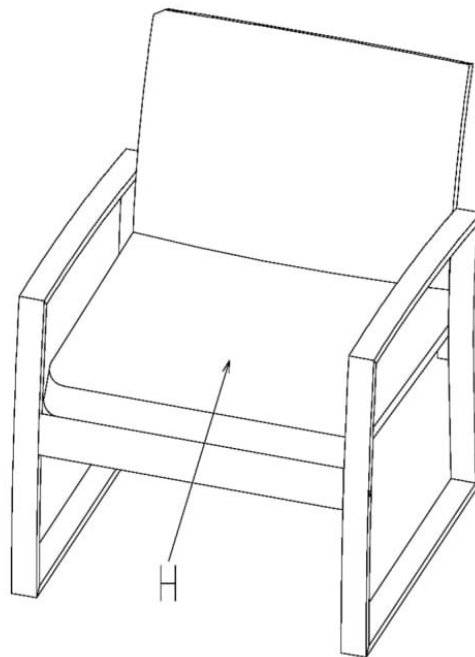
1.



2.

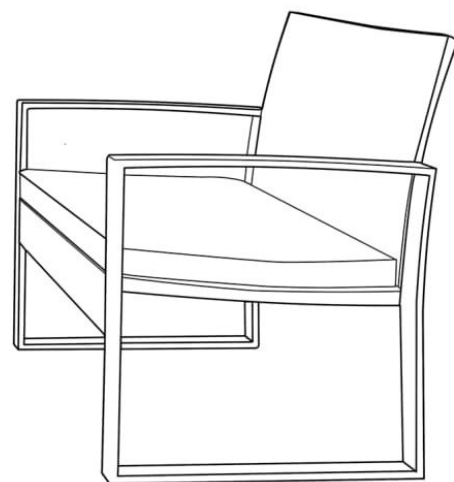
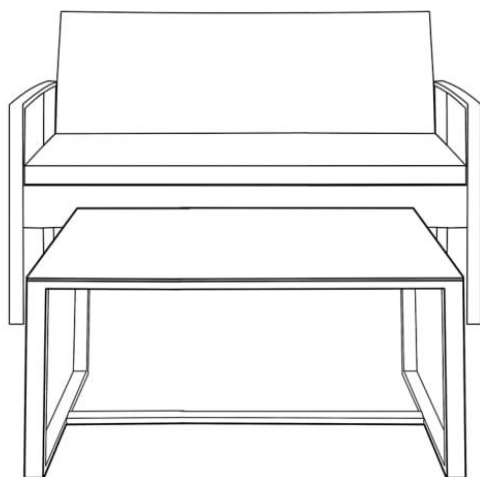
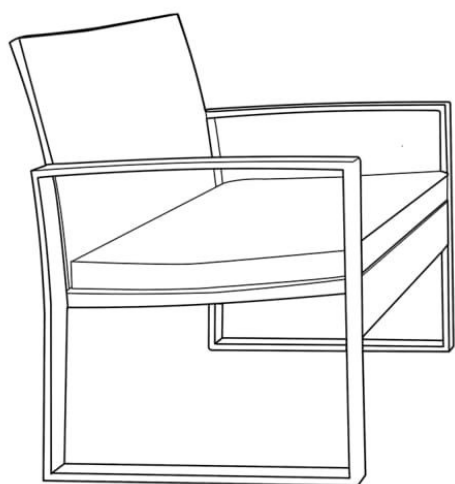


3.



# Dear Customers

---



## Notice:

1. Remove the sponge from the cushion when washing.
2. Hand wash only. The washing machine and brush harm the fabric.

