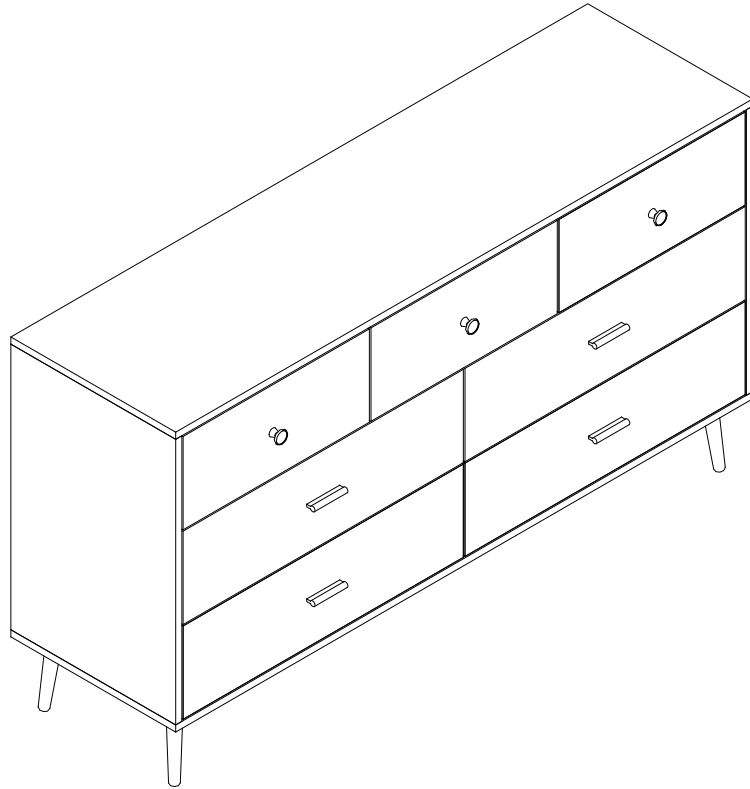
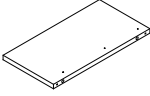
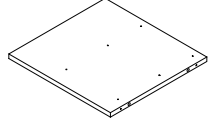
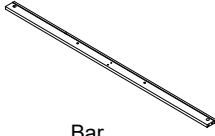
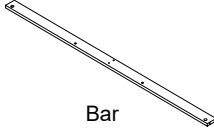
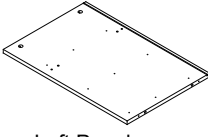
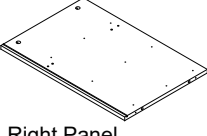
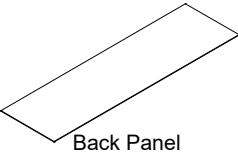
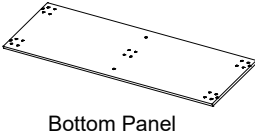


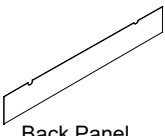
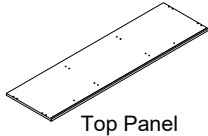
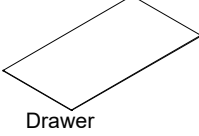
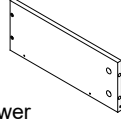
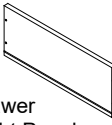
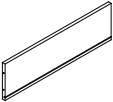
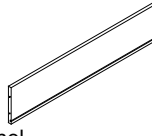
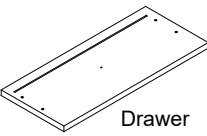
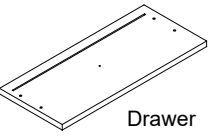
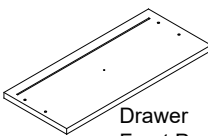
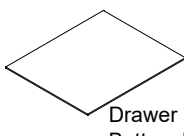
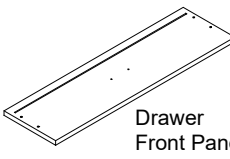
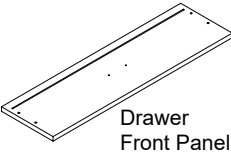
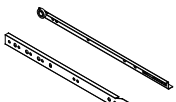
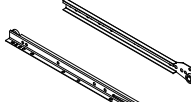
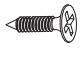






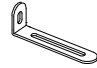


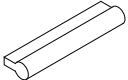
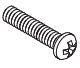


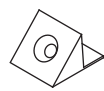


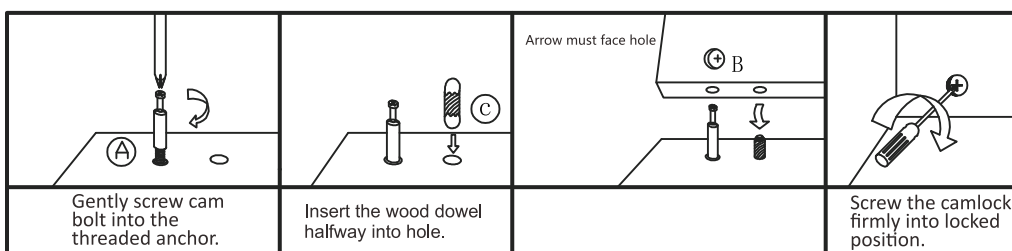
ASSEMBLY INSTRUCTION



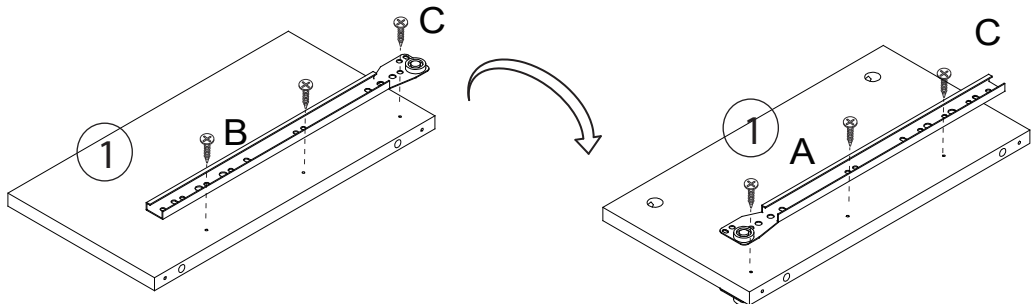
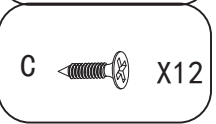
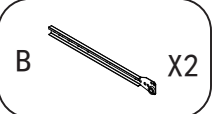
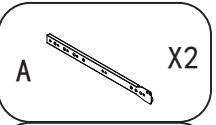
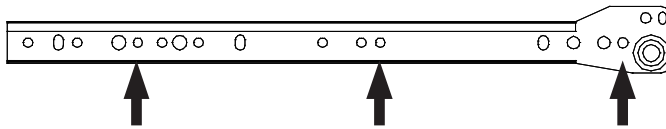
Parts and Operation Elements

 Middle Panel	 Middle Panel	 Bar	 Bar	 Left Panel
① 2 pcs	② 1 pc	③ 1 pc	④ 1 pc	⑤ 1 pc
 Right Panel	 Back Panel	 Bottom Panel	 Leg	 Leg
⑥ 1 pc	⑦ 1 pc	⑧ 1 pc	⑨ 4 pcs	⑩ 1 pc
 Back Panel	 Top Panel	 Drawer Bottom Panel	 Drawer Left Panel	 Drawer Right Panel
⑪ 1 pc	⑫ 1 pc	⑬ 4 pcs	⑭ 7 pcs	⑮ 7 pcs
 Drawer Back Panel	 Drawer Back Panel	 Drawer Front Panel	 Drawer Front Panel	 Drawer Front Panel
⑯ 3 pcs	⑰ 4 pcs	⑱ 1 pc	⑲ 1 pc	⑳ 1 pc
 Drawer Bottom Panel	 Drawer Front Panel	 Drawer Front Panel		
㉑ 3 pcs	㉒ 2 pcs	㉓ 2 pcs		

 Drawer Glide(Left)	 Drawer Glide(Right)	 3*12mm Screw	 Wood Dowel	 Screw	 Bolt 6*10mm
A 7 pcs	B 7 pcs	C 70 pcs	D 24 pcs	E 38 pcs	F 20 pcs
 Wrench	 Cam-bolt	 Cam-Lock 15*10mm	 Bracket	 Screw 3.5*14mm	 Handle
G 1 pc	H 42 pcs	I 42 pcs	J 2 pcs	K 10 pcs	L 3 pcs
 Handle	 Screw	 Plastic Anchor	 Screw	 Plastic Block	
M 4 pcs	N 11 pcs	O 2 pcs	P 2 pcs	Q 8 pcs	

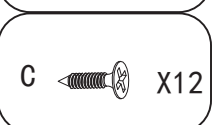
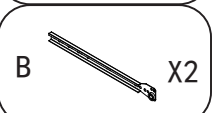
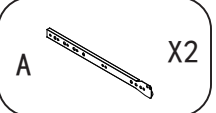
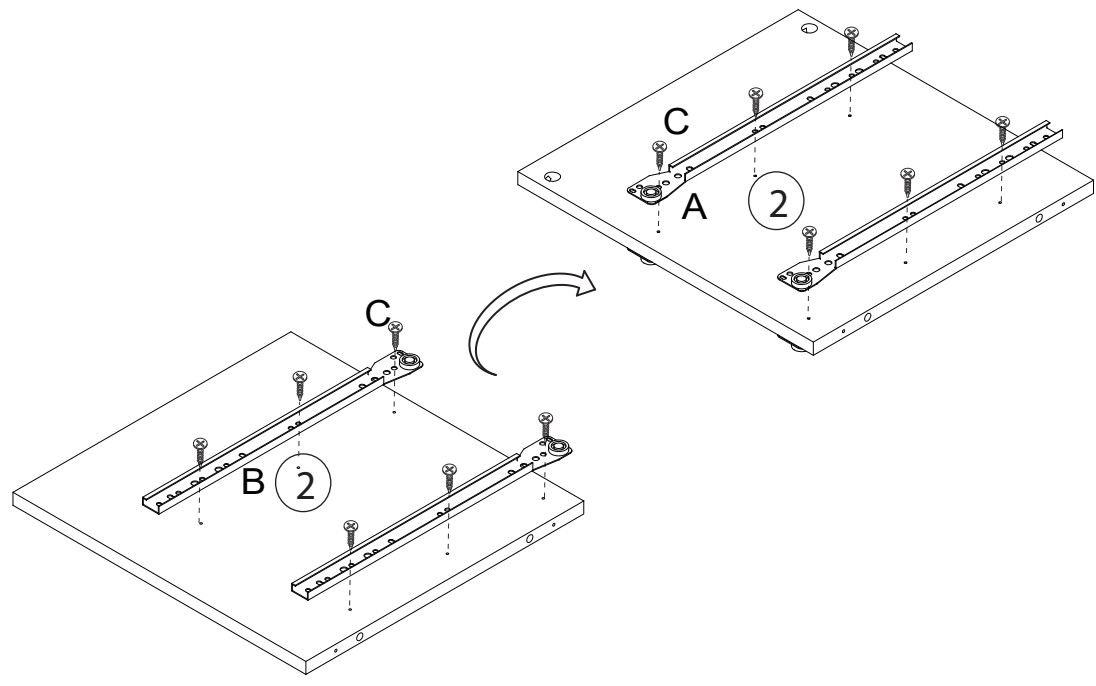


1

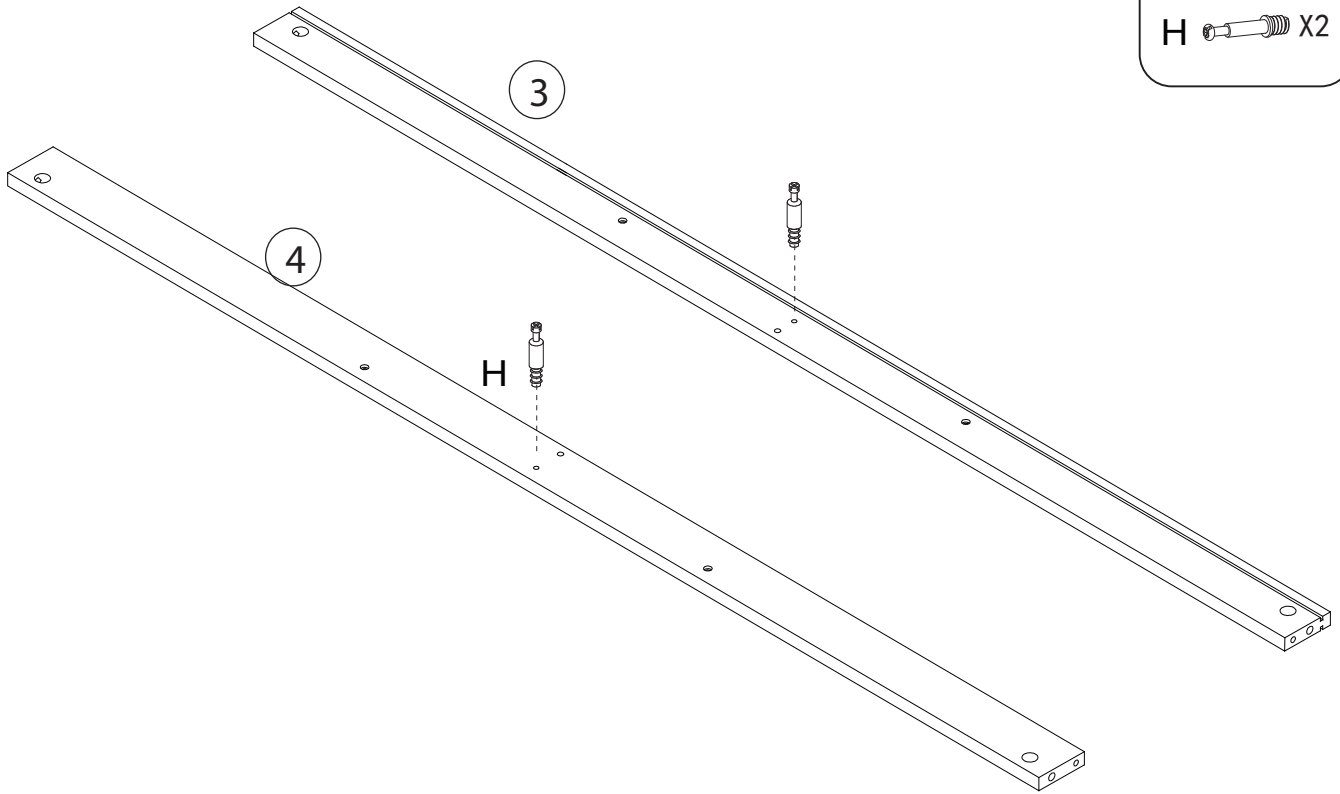
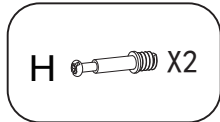


X 2

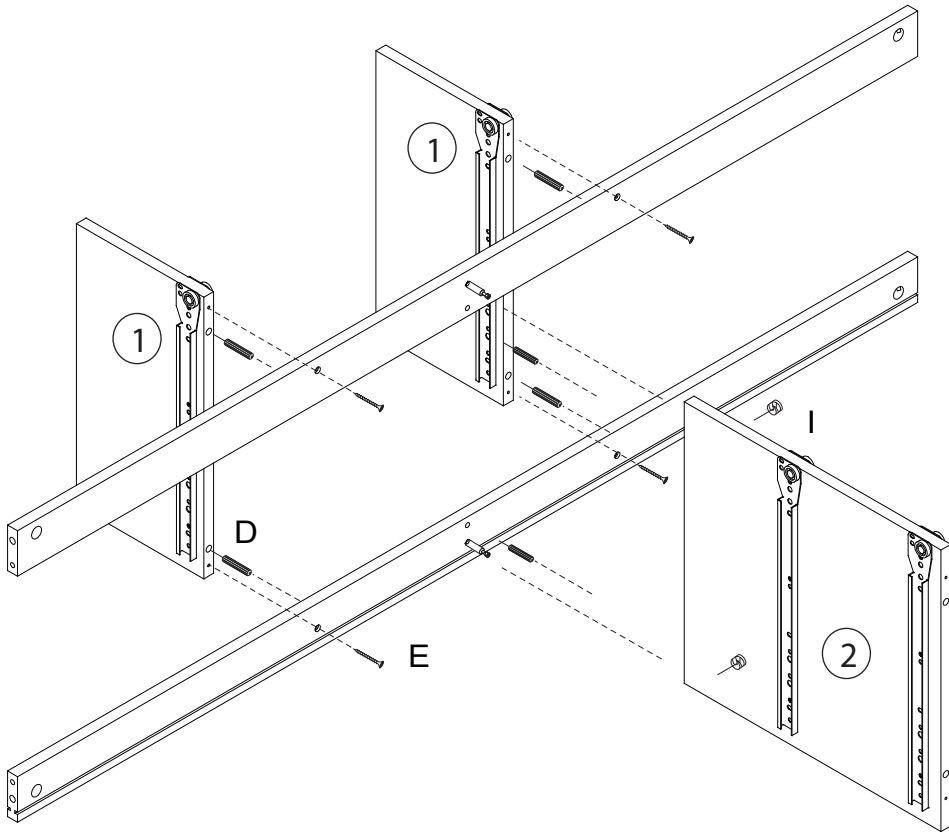
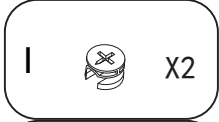
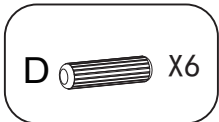
2



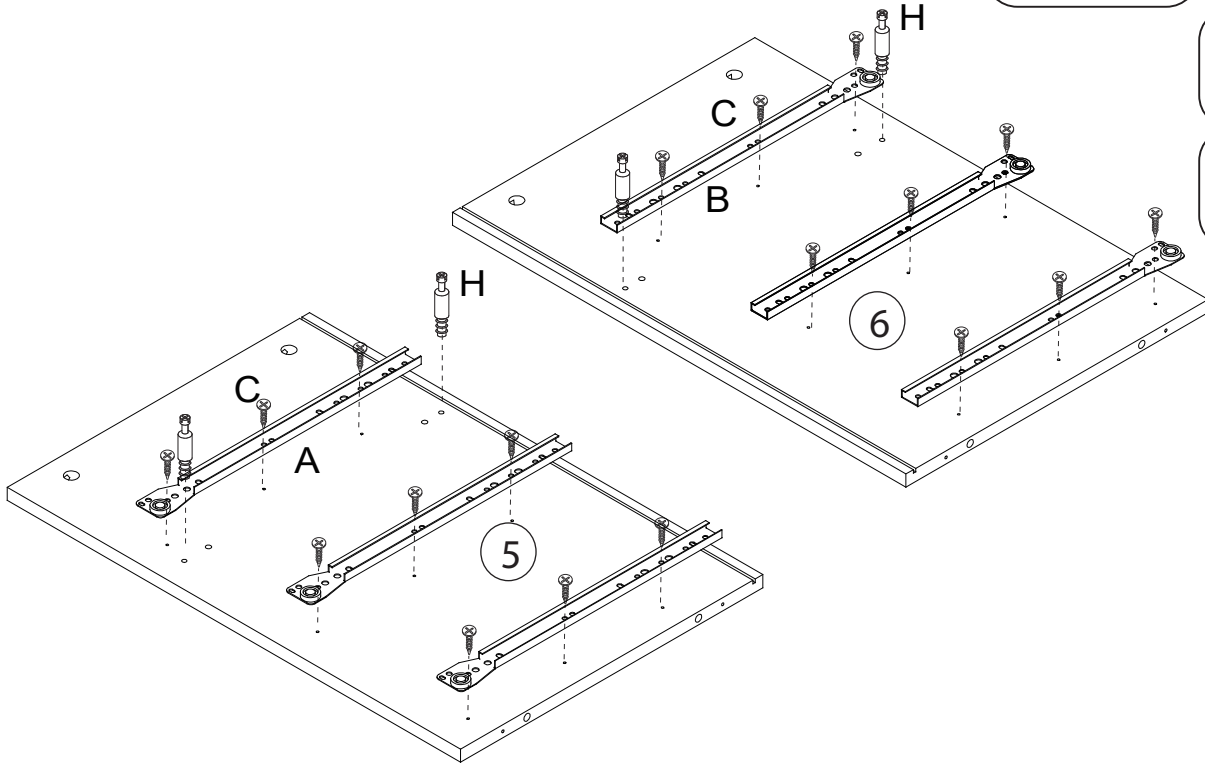
3


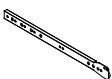




4

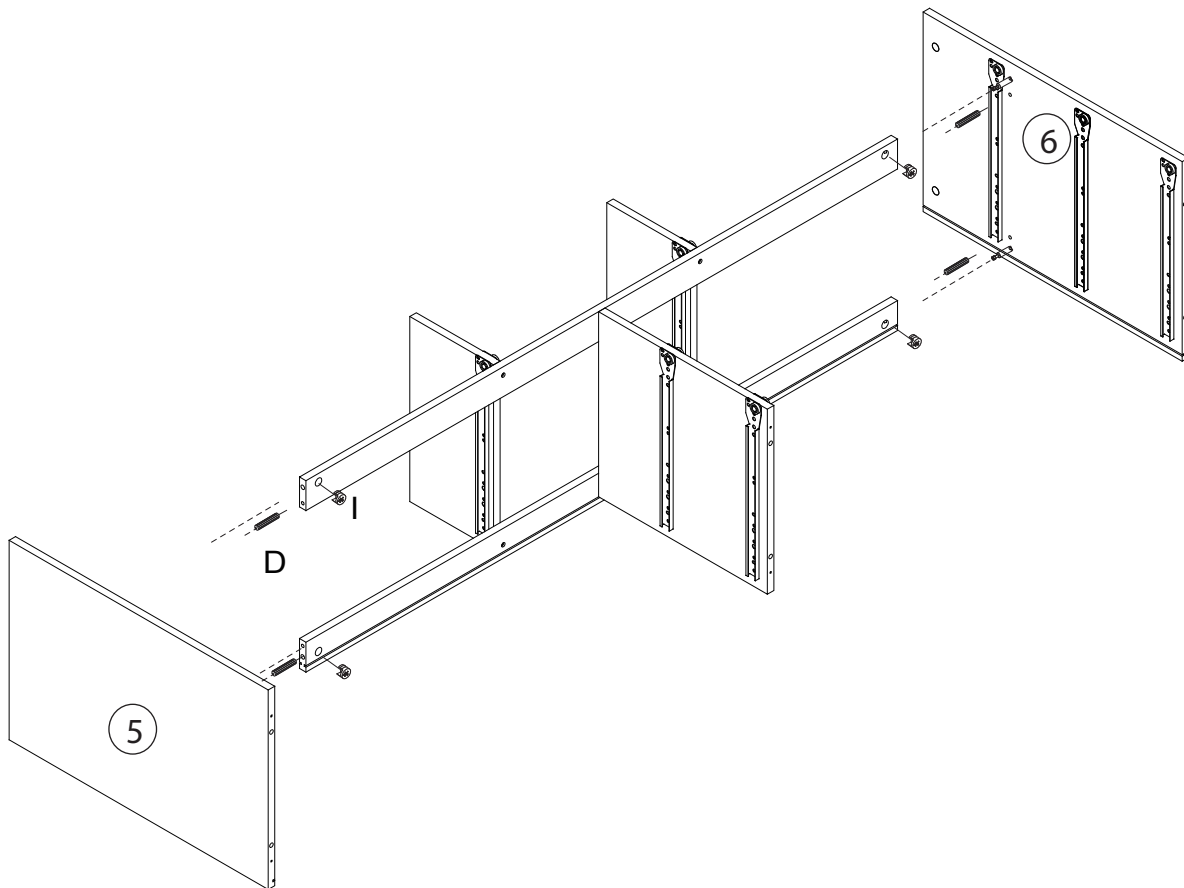




5



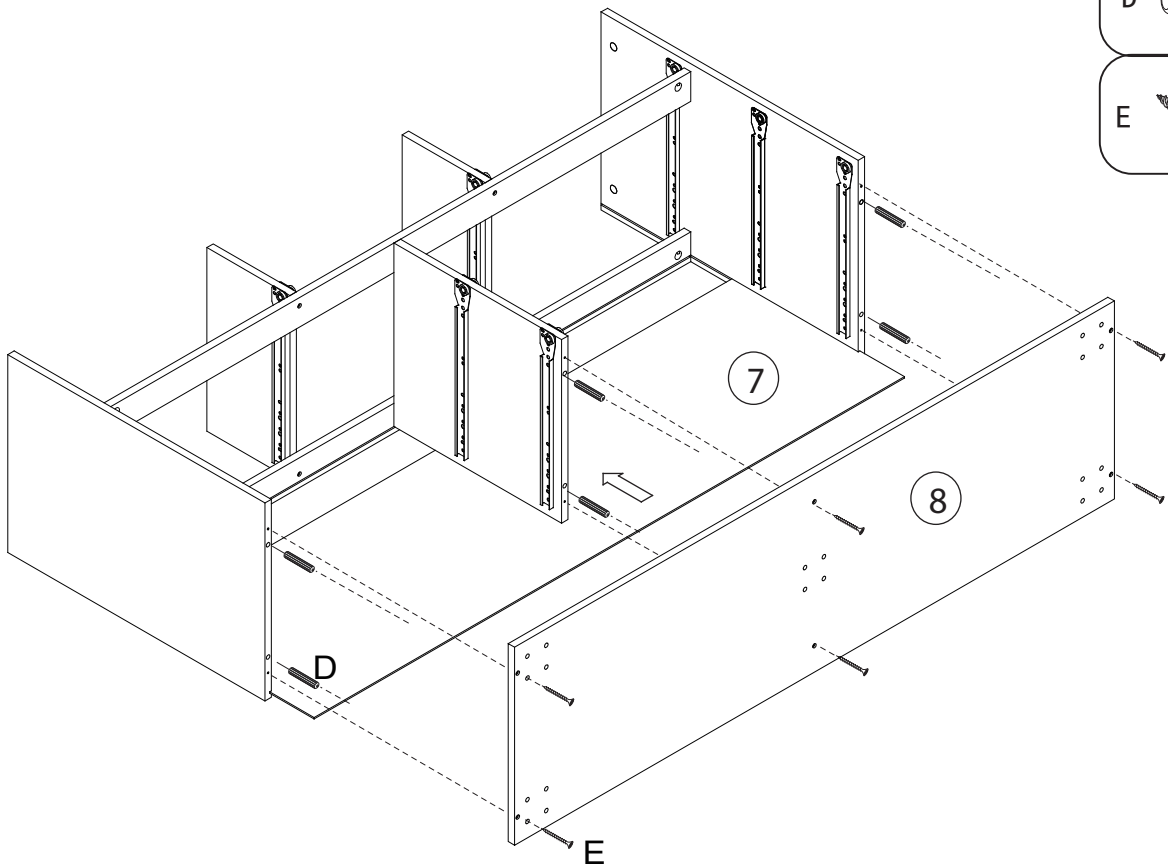
- H  X4
- A  X3
- B  X3
- C  X18

6



- D  X4
- I  X4

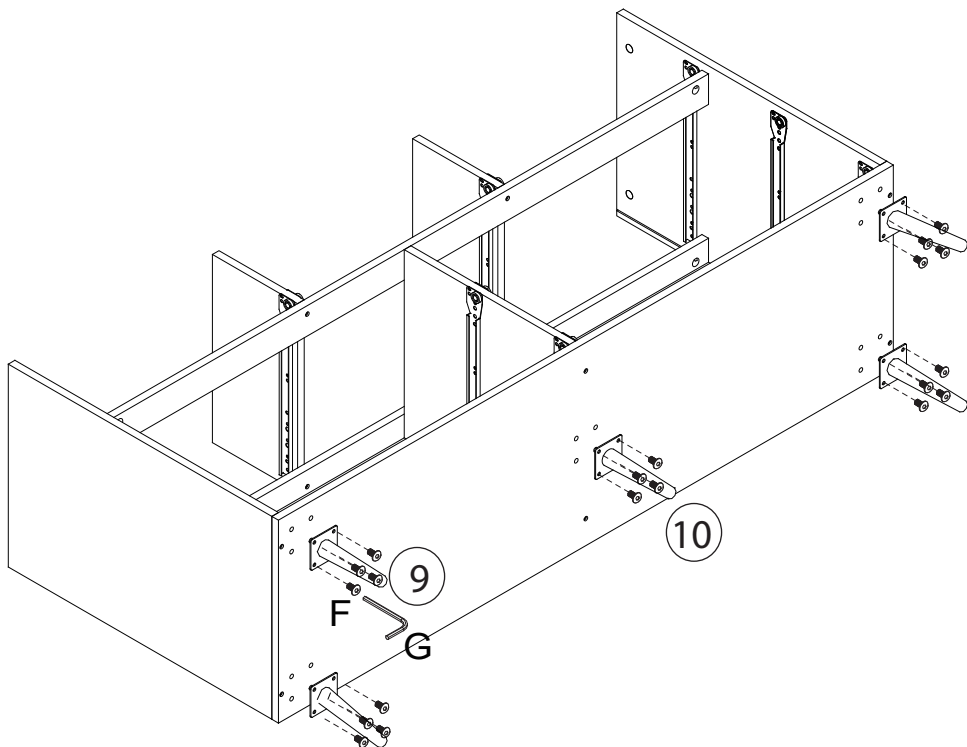
7




D  X6

E  X6

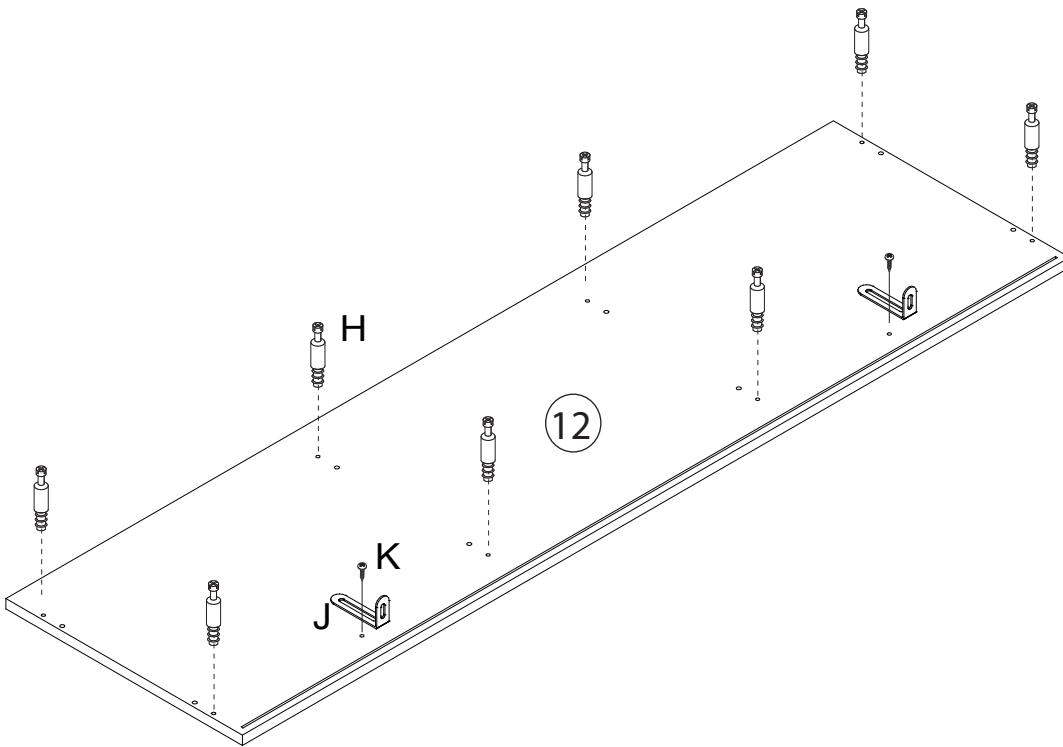
8



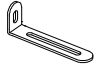
F  X20


G  X1

9

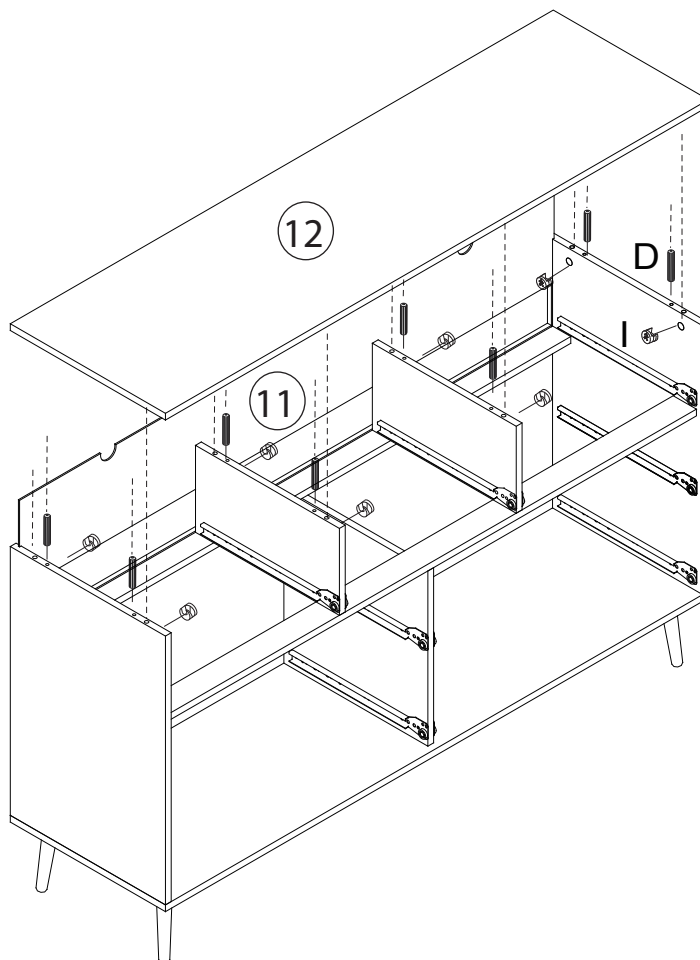


H  X8

J  X2

K  X2

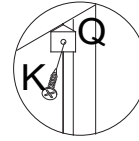
10




D  X8

I  X8

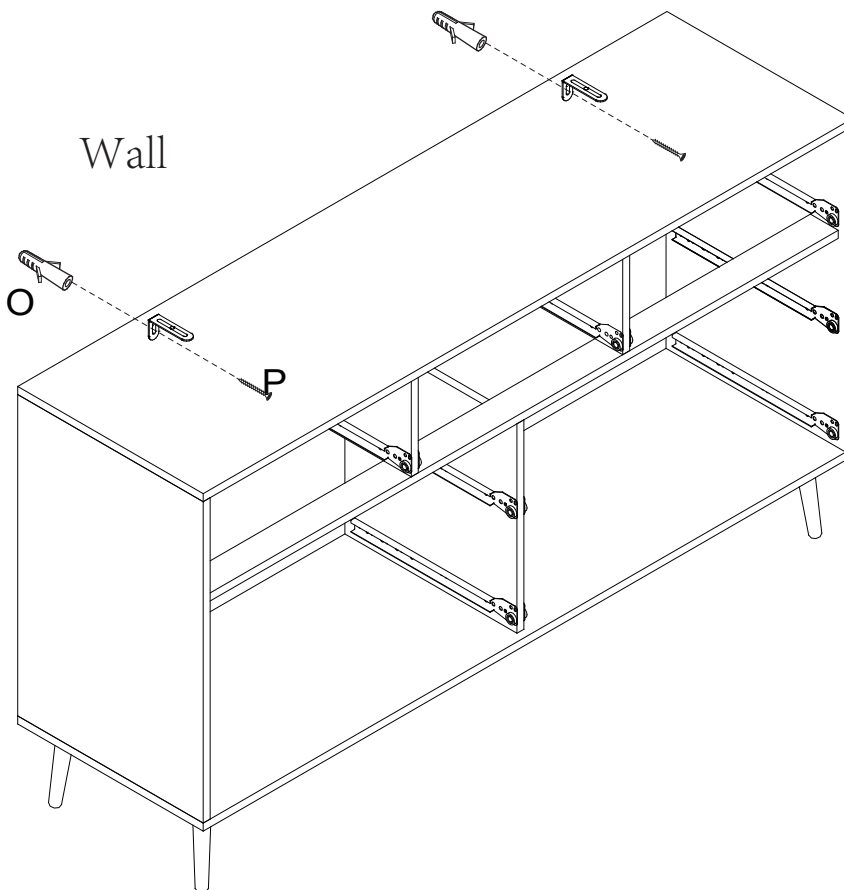
11



K  X8

Q  X8

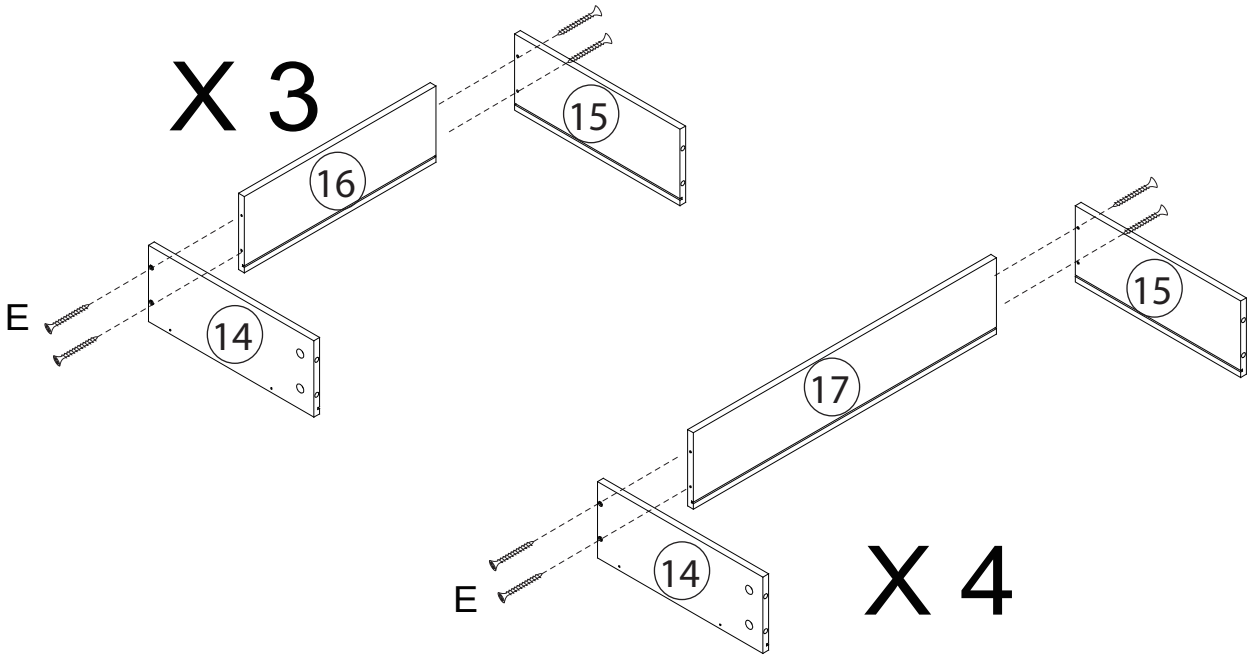
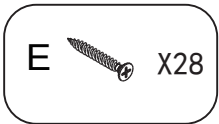
12



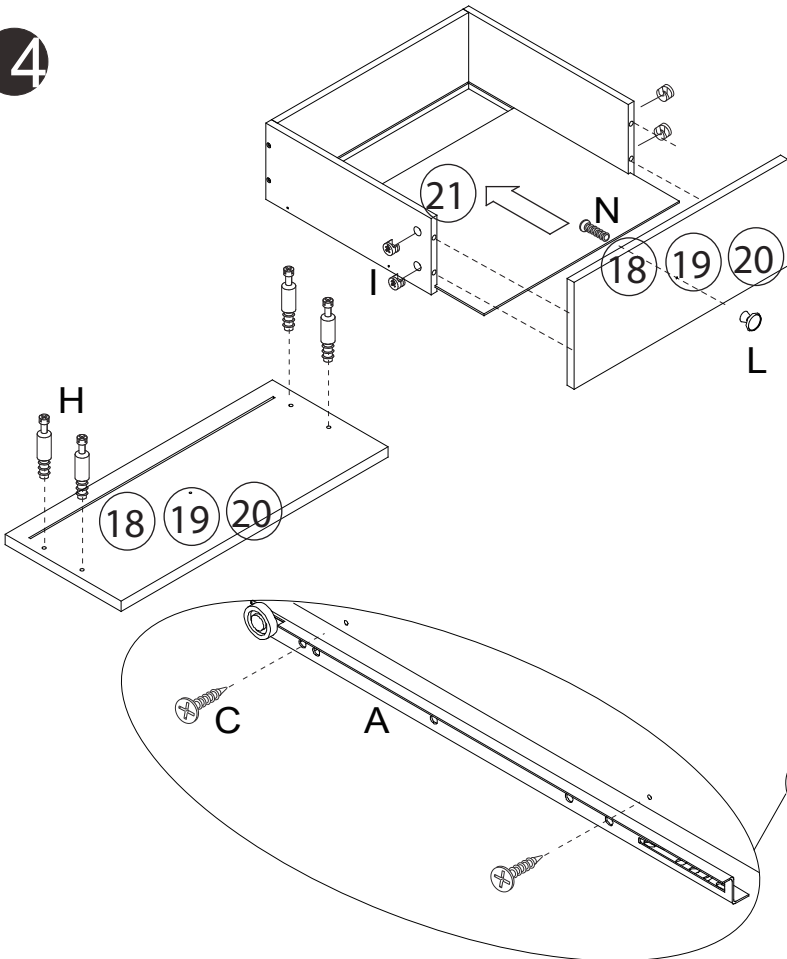
P  X2

O  X2

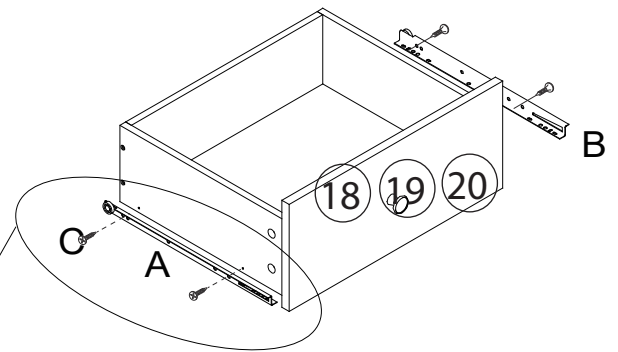
13



14

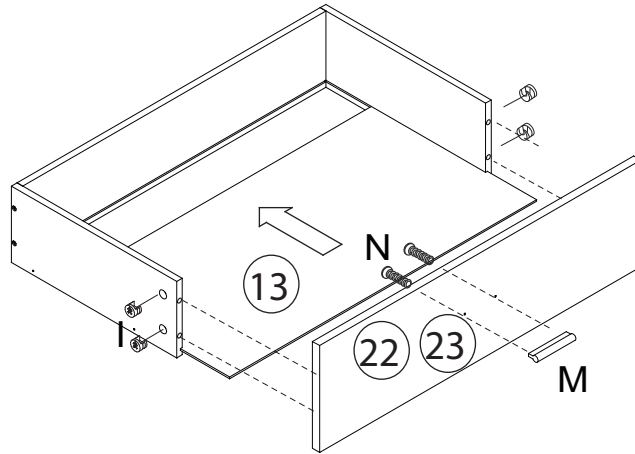


- | | |
|-------|-------|
| N X3 | A X3 |
| L X3 | B X3 |
| I X12 | C X12 |
| H X12 | |

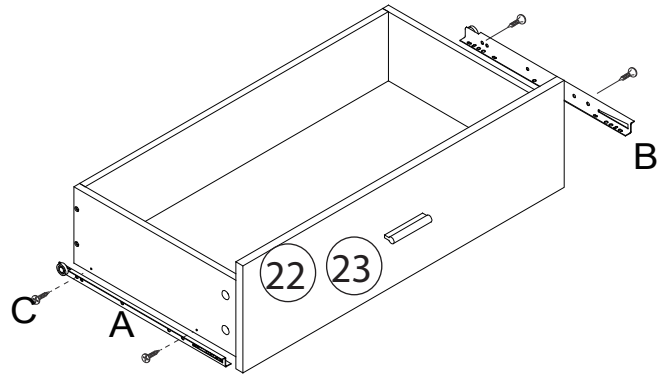
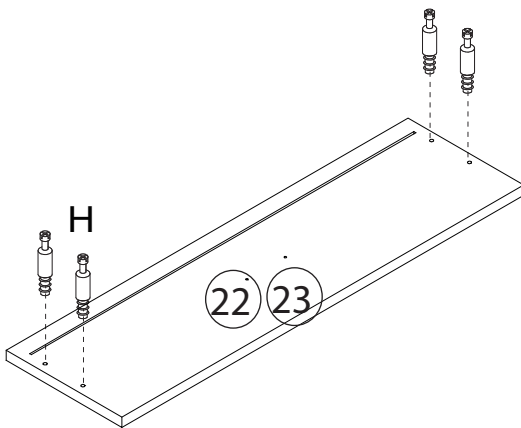


15

X 2



- | | | | |
|---|-----|---|-----|
| M | X4 | A | X4 |
| N | X8 | B | X4 |
| I | X16 | C | X16 |
| H | X16 | | |



16

