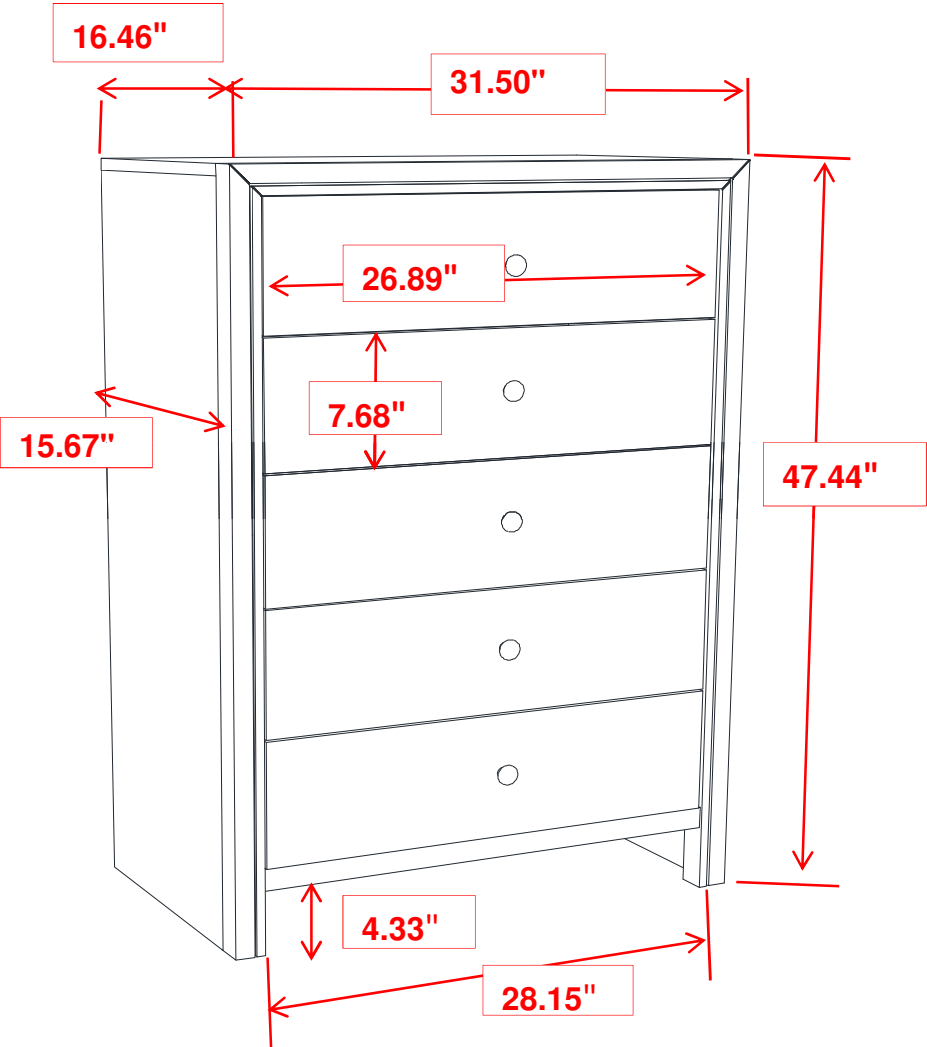


INNER SIZE OF DRAWER : 3.94" x 12.60" x 24.80"



Note : Dimension tolerance $\pm 5\%$