

48" CAT TREE



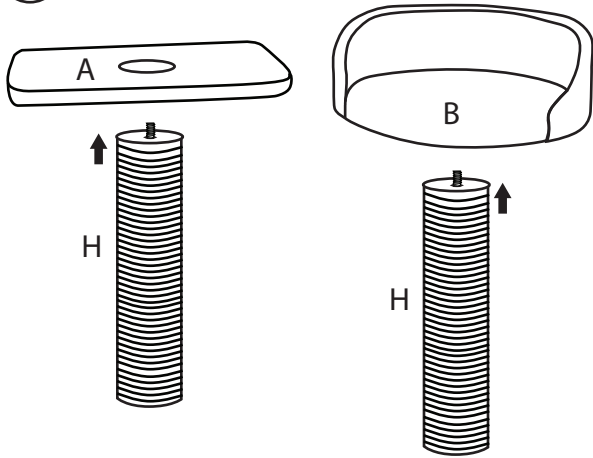
For parts or assembly issues, please contact our customer service department.
1(800) 692 - 2199 www.majesticpet.com



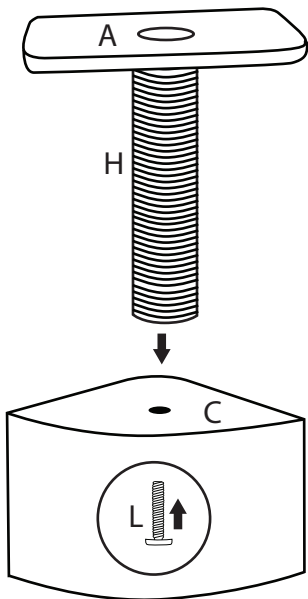
| | | |
|----|--|----------|
| A | | 1 piece |
| B | | 1 piece |
| C | | 1 piece |
| D | | 1 piece |
| E | | 1 piece |
| F1 | | 2 pieces |
| F2 | | 2 pieces |
| G | | 1 piece |

| | | |
|---|--|----------------|
| H | | 2 pieces |
| I | | 2 pieces |
| J | | 1 piece |
| K | | 1 piece |
| L | | 4 pieces |
| M | | 4 pieces |
| N | | 4 pieces |
| O | | 1 piece |
| P | | Tools included |
| Q | | 2 pieces |

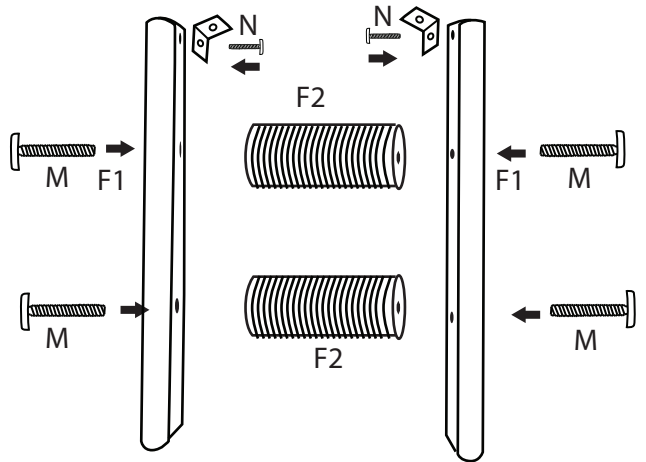
1 Screw (H) posts to (A) perch and (B) perch.



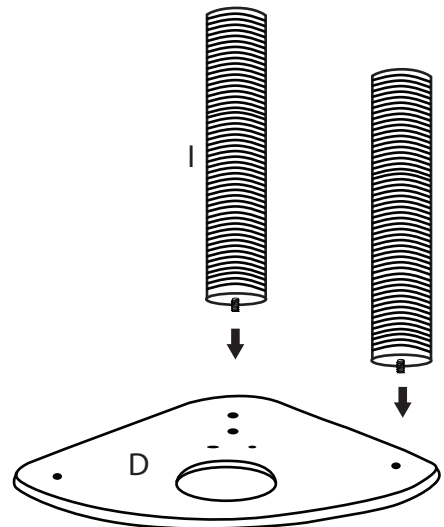
2 Screw (A+H) post into top of (C) house using (L) screw. Set aside.



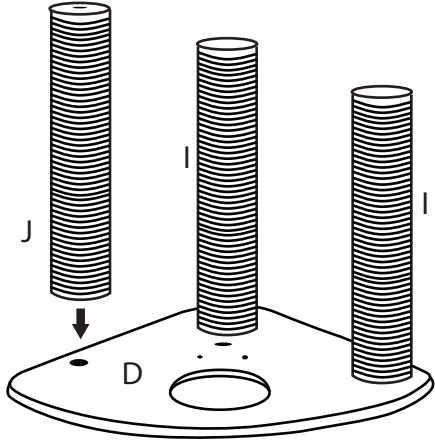
3 Screw in (M) screws through (F1) into (F2) posts. Screw (N) screws through (Q) bracket into (F1) posts. Set aside.



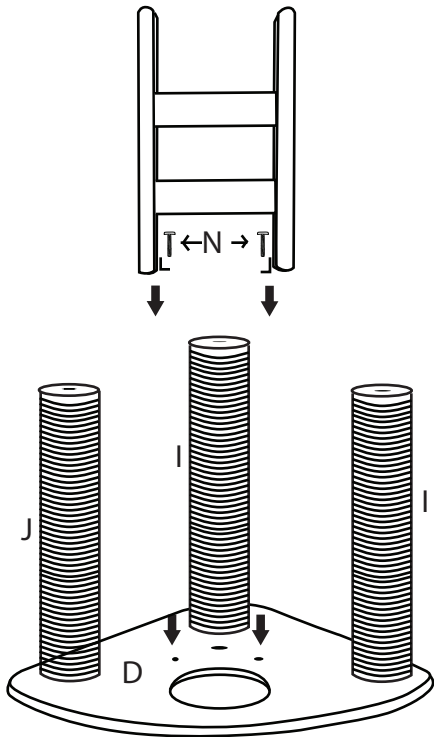
4 Place (D) platform upside down on ground. Screw two (I) posts into the holes with threading in (D) platform.



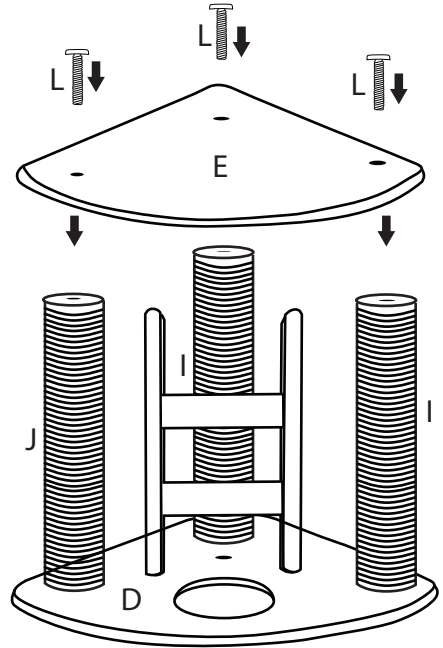
- 5 Align (J) post over the third hole.



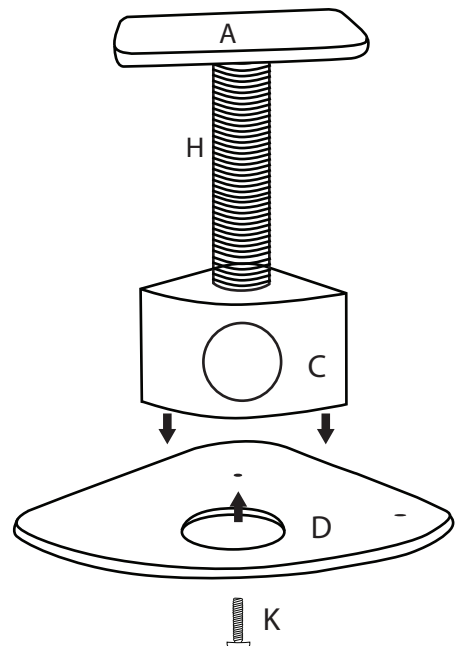
- 6 Using the assembled ladder, place (N) screws through holes in the brackets and screw into the bottom of (D) platform.



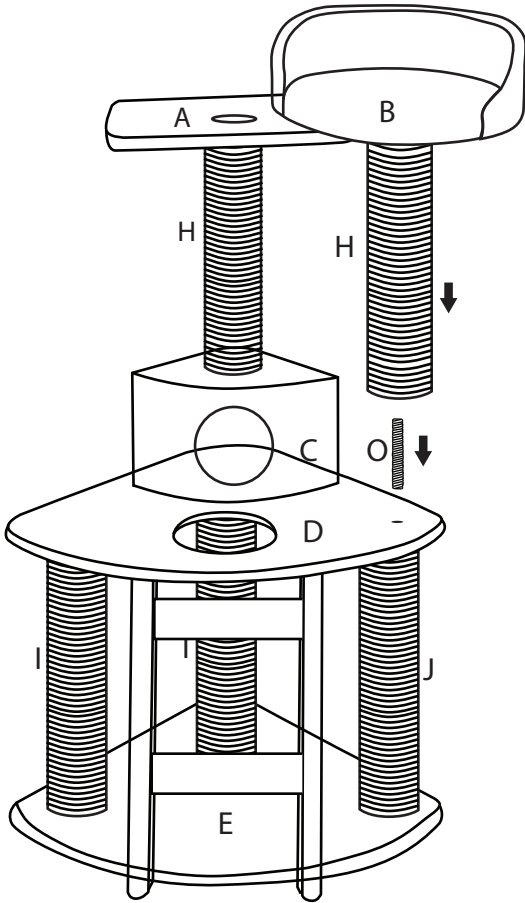
- 7 Align the holes in the (E) base with the (I + J) post. Place (E) base over holes. Screw (L) screws through the holes in (E) base into (I) and (J) posts. Use (P) tool to tighten. Turn cat tree right side up.



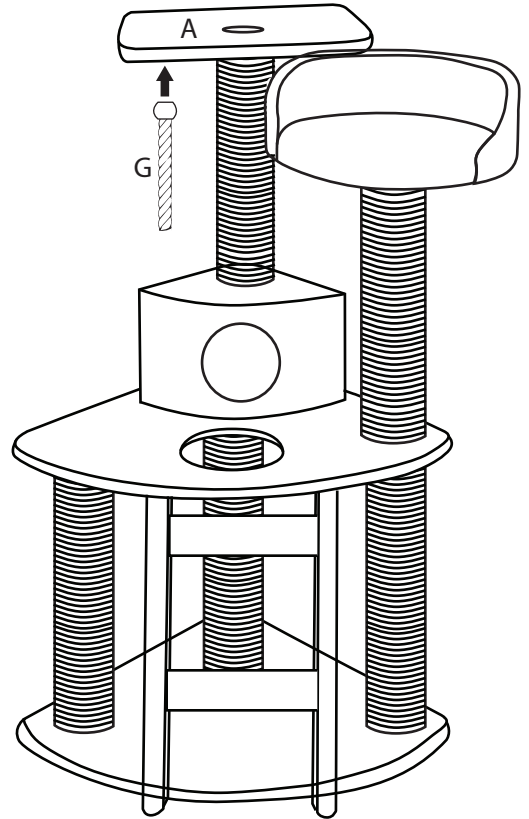
- 8 Place (C) house on top of (D) platform. Screw (K) screws through the hole on the bottom of platform (D) into hole on the bottom of (C) house. Tighten with (P) tool.



- 9 Screw (O) screw through hole in (D) platform into (J) post. Screw post (B + H) onto (O) screw.



- 10 Attach (G) rope to the bottom of (A) platform.



48" CAT TREE

For parts or assembly issues, please contact our customer service department.
1(800)692-2199 www.majesticpet.com

WARNING: For pets only. Keep out of reach of children. Pets should be supervised when using this product. Remove from pet if any part becomes loose or detached. Do not use or store near heat or flame. Remove all packaging and dispose of properly.