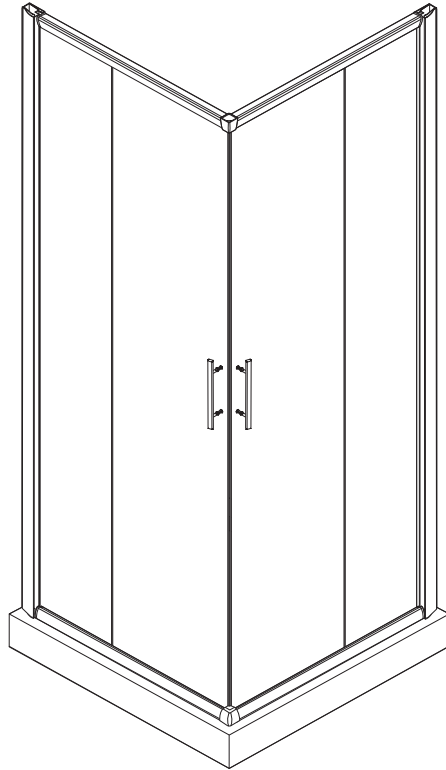


INSTALLATION INSTRUCTIONS

FOR SHOWER DOOR AND BATHTUB DOOR

TRURO SQUARE



CT3672-CH/BN/MB
CT3672CT-CH/BN/MB

CH -chrome **BN** -Brushed Nickel **MB** -Matte Black **SG** -Satin Gold

**THANK YOU FOR PURCHASING OUR PRODUCTS.
FOR IMMEDIATE HELP WITH ASSEMBLY OR
PRODUCT INFORMATION EMAIL US:**

SCAN HERE

**TO VIEW OUR
INSTALLATION VIDEO**



ServiceSoutien@outlook.com

Please offer your order ID and the product model number

Our staff is ready to provide assistance M-F 8:00 AM to 5:00 PM PST



◆ General Information

Inspect the product immediately upon receipt for transit damage, missing packs/parts or manufacturing fault. Damage reported later will not be accepted. Handle the product with care avoiding knocks and shock loading to all sides and edges of the glass.

◆ Notes: Safety glass can not be re-worked

Read these instructions carefully before start of installation.

Special care should be taken when drilling walls to avoid hidden pipes or electrical cables.

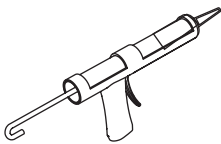
Note: This product is heavy and may require two people to install.

◆ Aftercare instructions

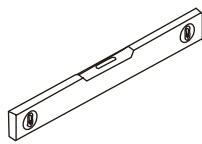
After use, your shower should be cleaned with soap and water. This is particularly important in hard water districts where insoluble lime salts maybe deposited and allowed to build up. Cleaners of a gritty or abrasive nature should not be used. Care should be taken to avoid contact with strong chemicals, they can be used but with caution, if in doubt contact the manufacturer of the cleaner in question.

Keep these instructions for aftercare and customer service details.

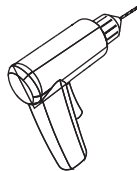
Tools Required



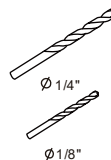
Silicone



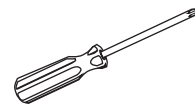
Level



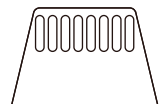
Drill



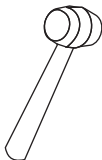
Drill Bit



Screwdriver
(Phillips)



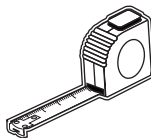
Sealant
Finishing Tool



Mallet



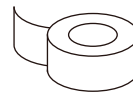
Pencil



Tape Measure



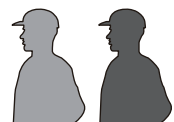
Allen Wrenches



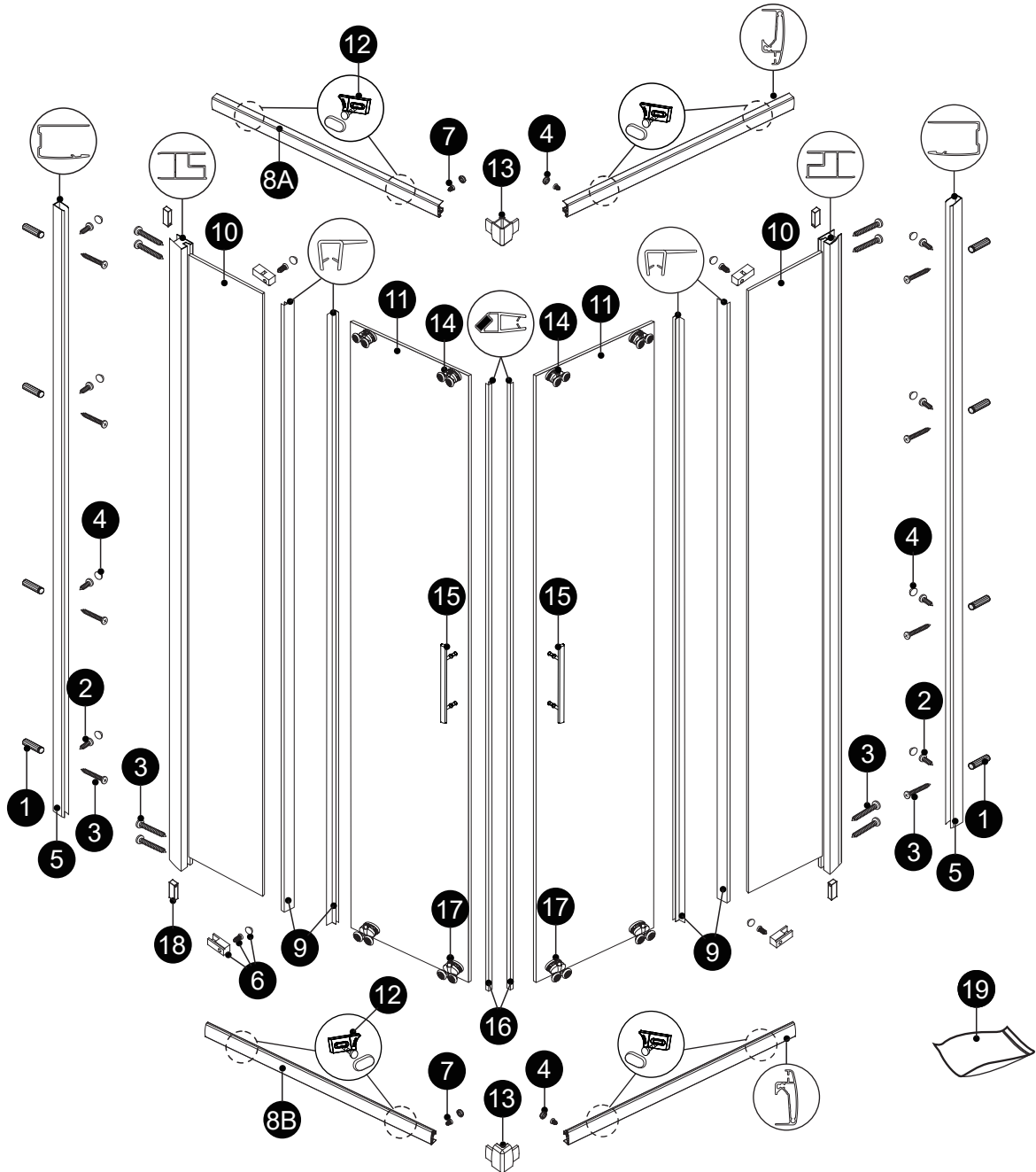
Painters
Tape

Tips: Measure the finished opening before proceeding with the installation to be sure that the correct model size has been ordered.

Note: These instructions will show the installation of the shower door. Please follow the same steps for the installation of the tub door.



◆ ASSEMBLY DRAWING



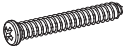



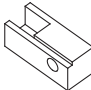




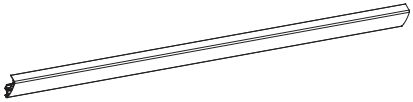

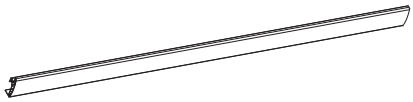




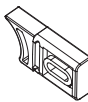












PACKING LIST

 Keep small parts away from children

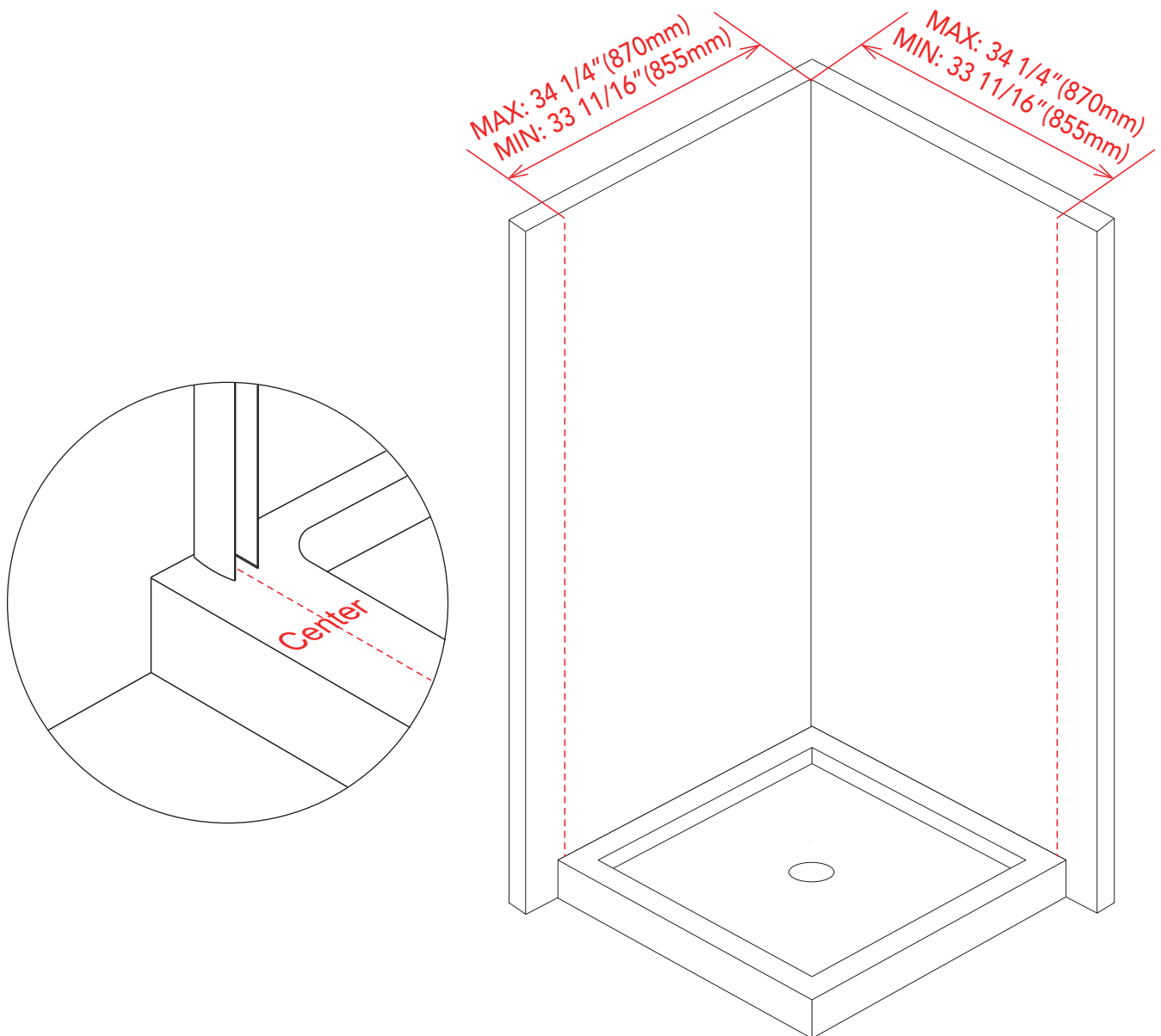
PART #	DESCRIPTION	Q'TY	PART #	DESCRIPTION	Q'TY
1	Wall Plugs	8pcs	10	Fixed Panels	2pcs
2	Screws ST4x5/16"	8pcs	11	Door Panels	2pcs
3	Screws ST4x1 3/8"	16pcs	12	Set Piece(L/R) x 4 for each	4sets
4	Screw Caps	12pcs		Set Piece Caps x 8	
5	Wall Jamba	2pcs		Screws M4x5/16" x 8	
6	Bumper Blocks(L/R) x 2 for each	2sets	13	Corner Connectors	2pcs
	Bumper Blocks Caps x 4		14	Top Rollers	4pcs
	Screws ST4x3/8" x 4		15	Handle	2sets
7	Screws ST4x1/4"	4pcs	16	Magnetic Seals	2pcs
8A	Top Rails	2pcs	17	Bottom Rollers	4pcs
8B	Bottom Rails	2pcs	18	Spacer Blocks	4pcs
9	F seals	4pcs	19	Lube	1pc

◆ PACKING LIST

1	8x Wall Plugs	➔	
2	8x Screw ST4x5/16"	➔	
3	16x Screw ST4x1 3/8"	➔	
4	12x Screw Caps	➔	
5	2x Wall Jamb	➔	 
6	2x Bumper Blocks(L/R) 4x Bumper Blocks Caps 4x Screws ST4x3/8"	➔	  
7	4x Screw ST4x1/4"	➔	
8A	2x Top Rail	➔	 
8B	2x Bottom Rail	➔	 
9	2x Magnetic Seals	➔	 
10	2x Fixed Panel	➔	
11	2x Door Panel	➔	
12	4x Set Piece(L/R) 8x Set Piece Caps 8x Screws M4x5/16"	➔	  
13	2x Corner Connectors	➔	
14	4x Top Rollers	➔	
15	2x Handle	➔	
16	2x Magnetic Seals	➔	 
17	4x Bottom Rollers	➔	
18	4x Spacer Blocks	➔	
19	1x Lube	➔	

INSTALLATION STEPS

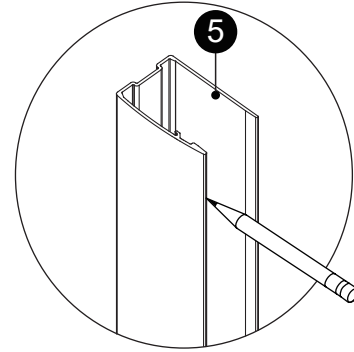
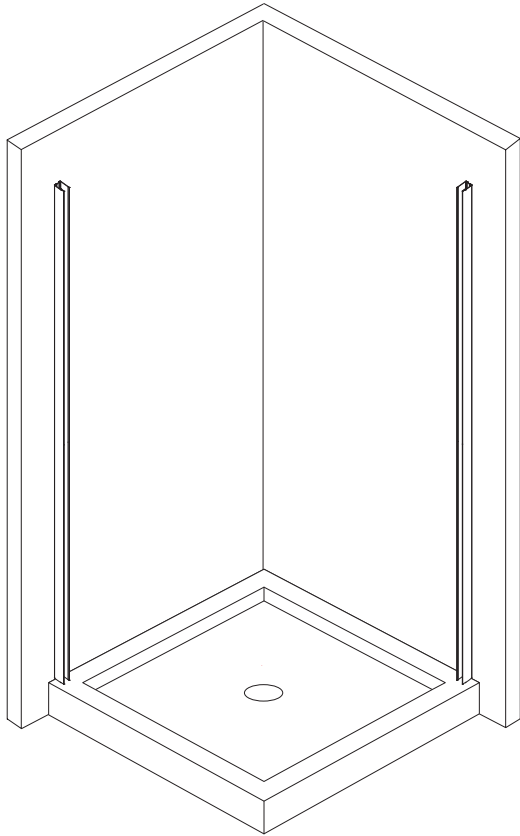
STEP 1-Mark the Position



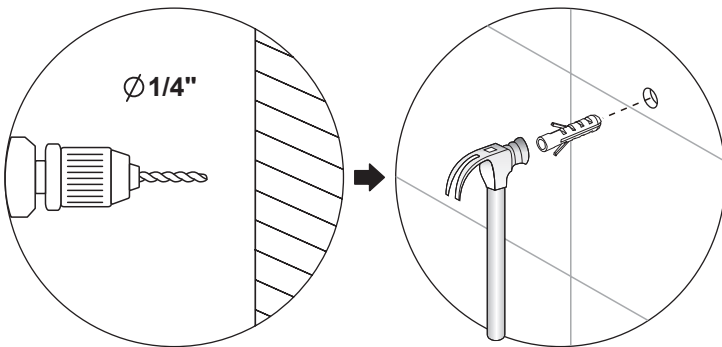
NOTE: Please make sure that the lines on both sides of the wall are horizontal perpendicular to the threshold.

INSTALLATION STEPS

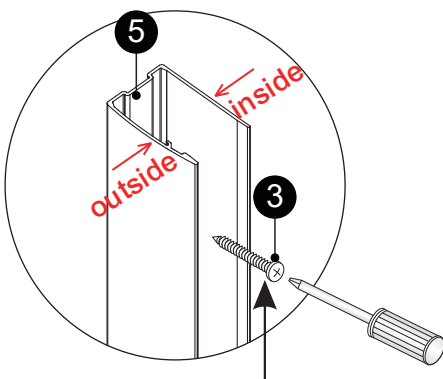
STEP 2-Install Wall Jamb



1. Make sure **Wall Jamb(#5)** is plumb. Temporarily tape wall jamb in position. Mark the four drill locations on the wall. Repeat for remaining wall jamb.



2. Remove wall jamb, Drill four Ø1/4" holes into the wall through Marked positions and insert **Wall Plugs(#1)**.



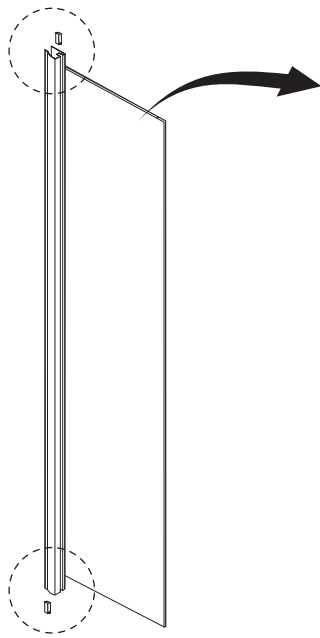
Screw ST4x1 3/8"

3. Install and secure **Wall Jamb(#5)** by **Screws ST4x1 3/8" (#3)**.

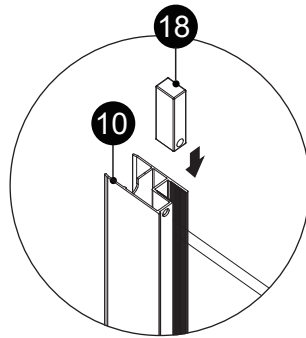
NOTE: Please note the direction of wall jamb installation, Protruding side should face outward.

INSTALLATION STEPS

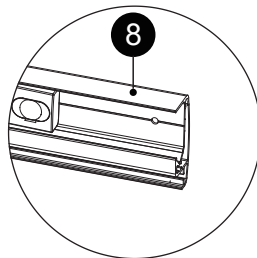
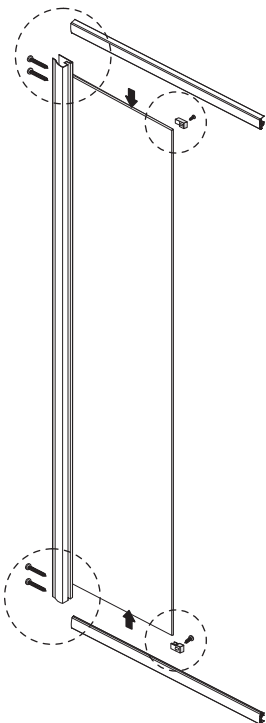
STEP 3-Secure the Rails and Fixed Panels



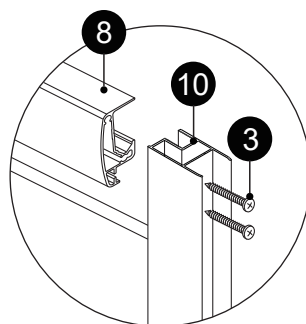
NOTE: Make sure that the glass to which "Enduro Shield" attached is facing the shower.



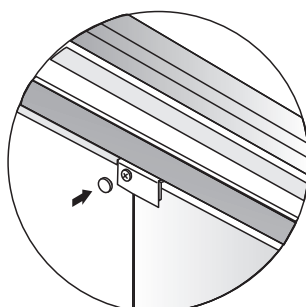
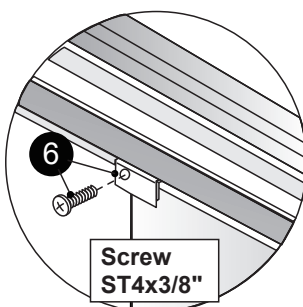
1. Insert the **Spacer Blocks (#18)** to the **Fixed Panels (#10)**.



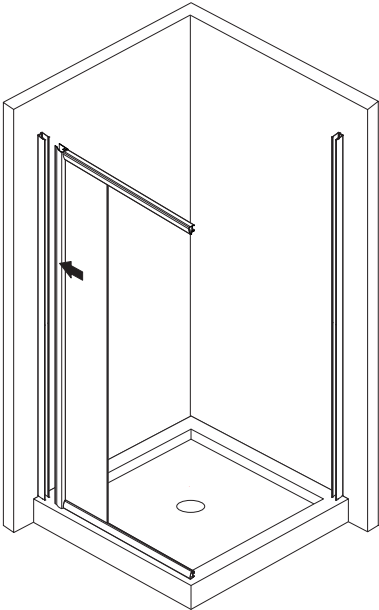
NOTE: Ensure that the side with the hole at the end of the **Top and Bottom Rails (#8)** are towards to the corner and that the hole is pre-drilled for mounting the **Corner Connectors (#13)**.



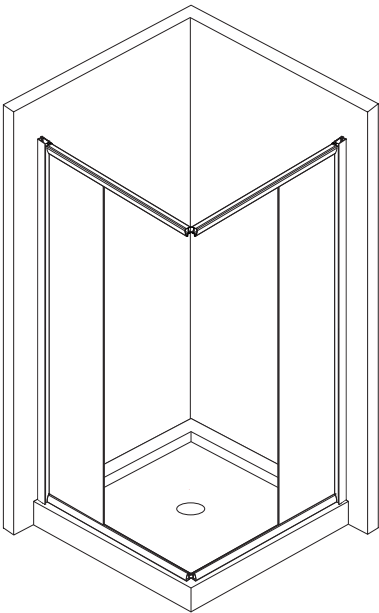
2. Insert the **Fixed Panels (#10)** fully into the groove of the **Top and Bottom Rails (#8)**. Secure it by **Screws ST4x1 3/8" (#3)**.



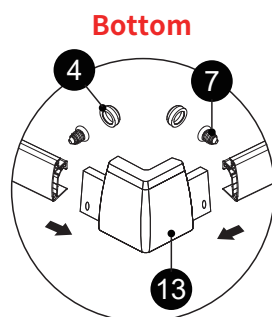
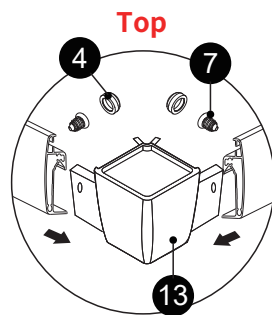
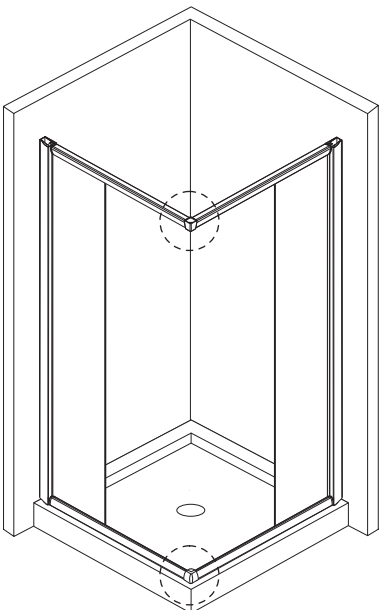
3. Install the **Bumper Blocks** to the **Fixed Panels (#10)** and **Rails (#8)** and cover the caps.



4. Move the assembled frame into the designated position on the shower base, bathtub or threshold (depending on your installation), and insert it to the mounted **Wall Jamb (#5)**, adjust the frame to a vertical position for any out-of-plumb conditions.



5. Repeat 1-4 steps on the other side.

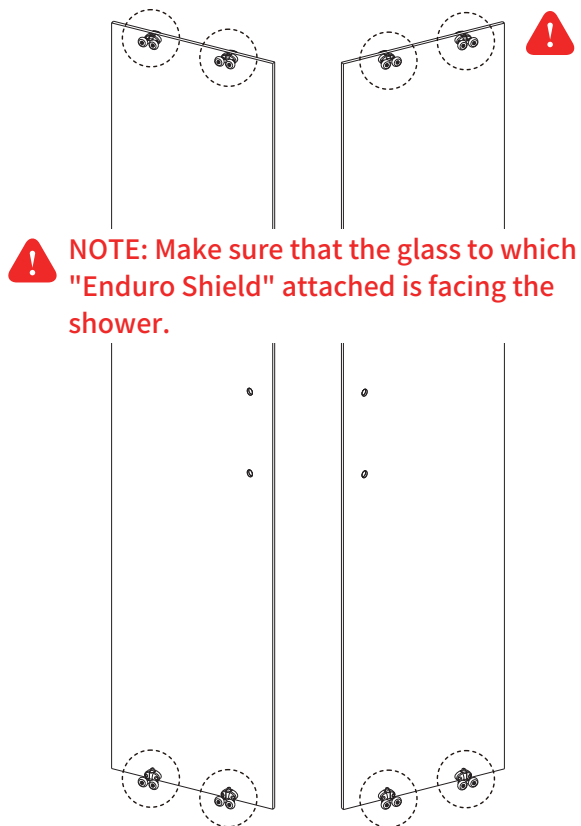


6. Adjust the mounted assembled frames, connect them by the **Corner Connectors (#13)**. Screws by **ST4x1/4" (#7)** and cover the caps.

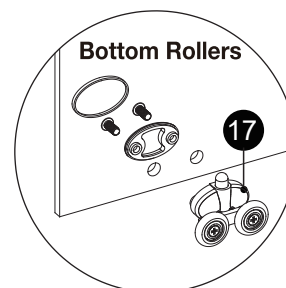
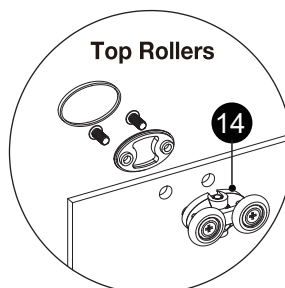
NOTE: Please note the direction of **Corner Connectors (#13)** as shown.

INSTALLATION STEPS

STEP 4-Install Rollers



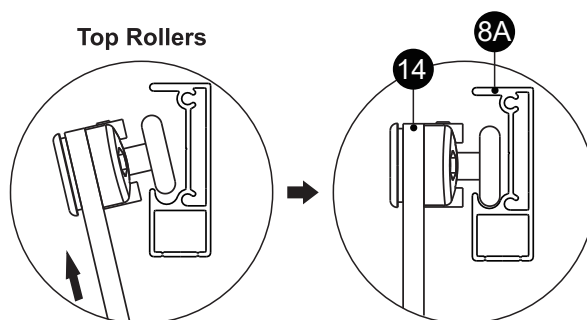
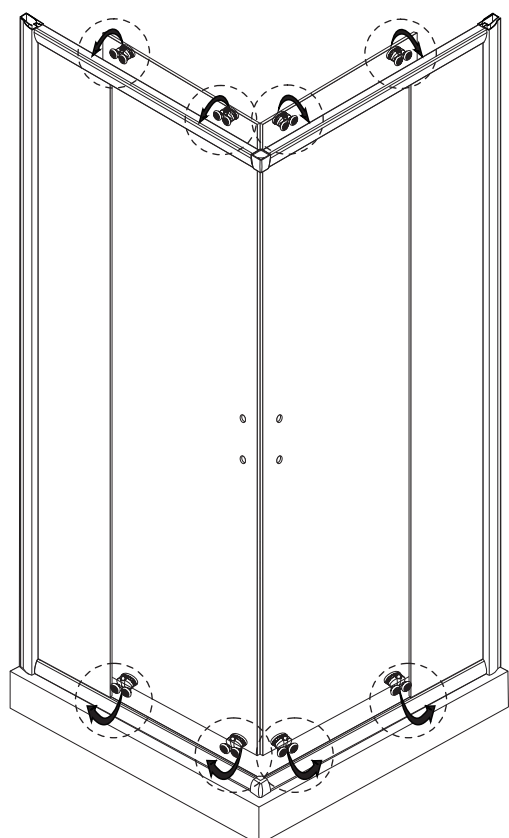
NOTE: Wheels facing out



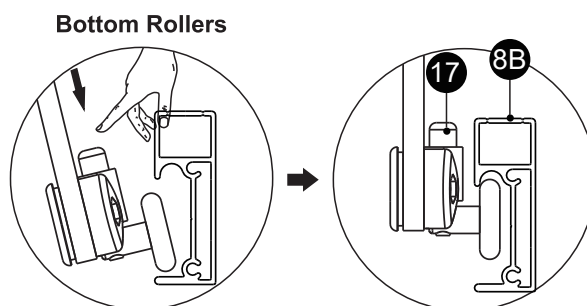
1. Fasten the **Top Rollers (#14)** and the **Bottom Rollers (#17)** to the **Door Panels (#11)**. The top rollers can adjust the door level using the adjustable bolt and lock nut. The bottom rollers has a press button to fix the wheel onto the **Bottom Rail (#8B)**. The wheels must face towards the outside of the shower.

NOTE: Do not overtighten the wheels.

STEP 5-Install Glass with Rollers Assemblies to the Rails



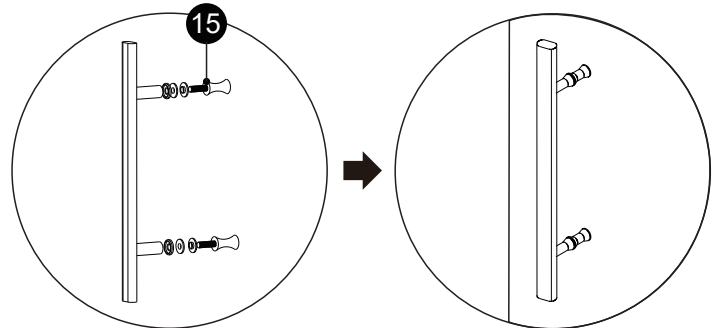
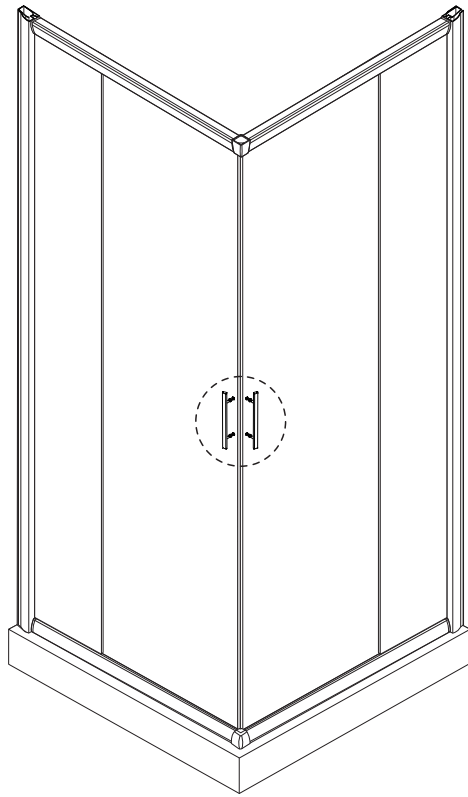
1. Lift the door up and snap the top roller Assemblies into the **Top Rail (#8A)**.



1. Clip the bottom of the door in the **Bottom Rail(#8B)**. The rollers are pressed down to allow the rollers clip to be into the Bottom Rail.

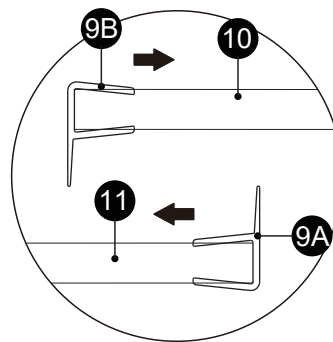
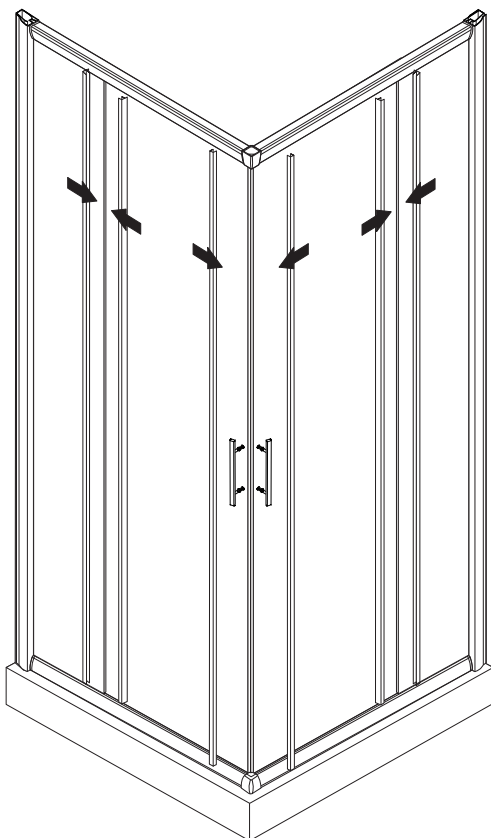
INSTALLATION STEPS

STEP 6-Install Handle

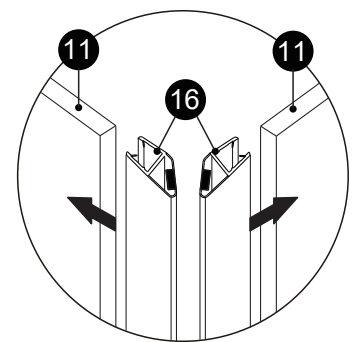


1. Attach the **Handle (#15)** to the outside of the **Door Panels (#11)**. Repeat for the other glass.

STEP 7-Install Seals



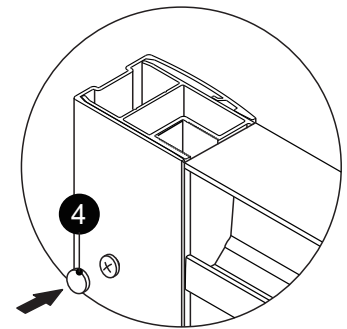
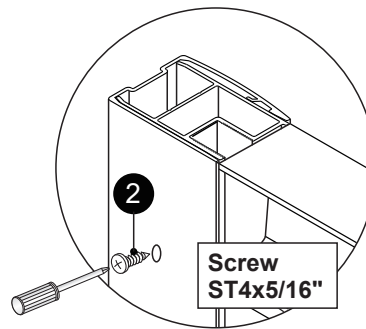
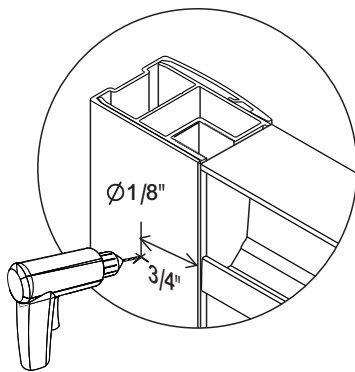
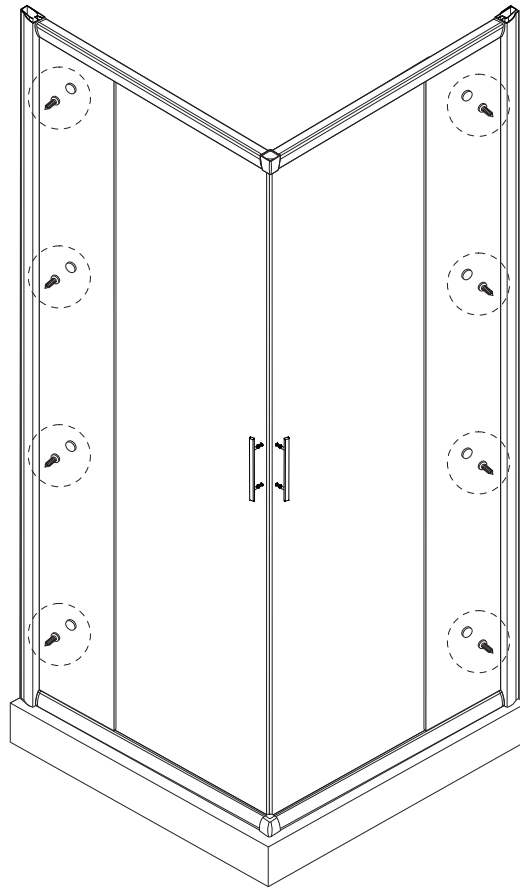
1. Press the **Anti-Water Strips (#9B)** onto the vertical edges of the **Fixed Panels (#10)** and both vertical edges of the **Door Panels (#11)**. Repeat for the other side.



2. Press the **Magnetic Seals (#16)** to each of the **two Door Panels (#11)**.

INSTALLATION STEPS

STEP 8-Screw The Wall Jamb into the Glass Profile



1. Perform the final adjustments of the assembled unit in the **Wall Jamb (#5)** making sure that the bottom rail is tight to the threshold. Drill the holes in the center of the **Wall Profile (#5)** into the **Glass Profile (#10)** using a $\text{Ø}1/8''$ drill bit.

2. Secure the **Wall Jamb (#5)** to the **Glass Profile (#10)** using the **Screws ST4x5/16" (#2)**.

3. Cover the exposed screw heads with the **Decorative Covers (#4)**.

ATTENTION: Do Not drill the profiles throughout, only through the first layer! of the wall and glass profiles.

Allow 24 hours for the silicone to cure before using the shower.

Apply clear silicone caulking along the wall and threshold of the shower door inside and outside.

(make sure you) wait 24hours before using the shower. Do not allow water to directly hit door.



24 HOURS

