

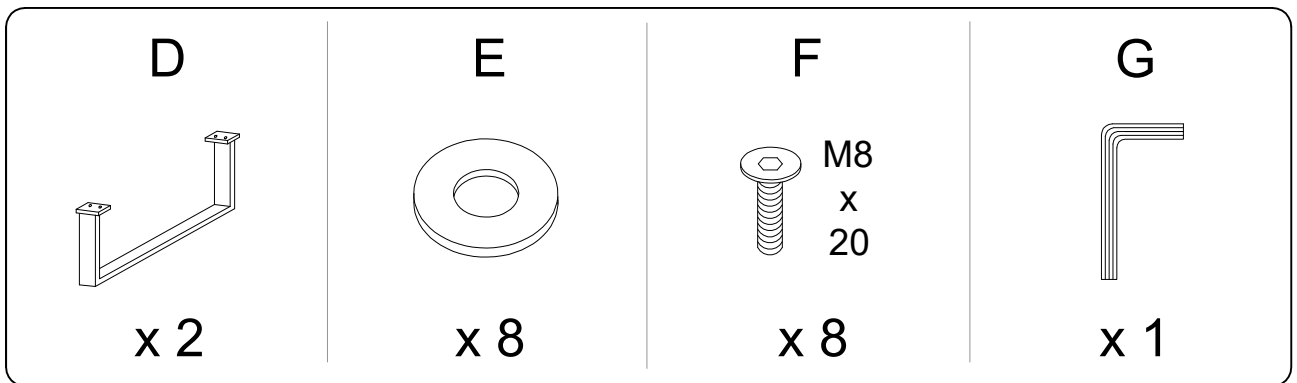
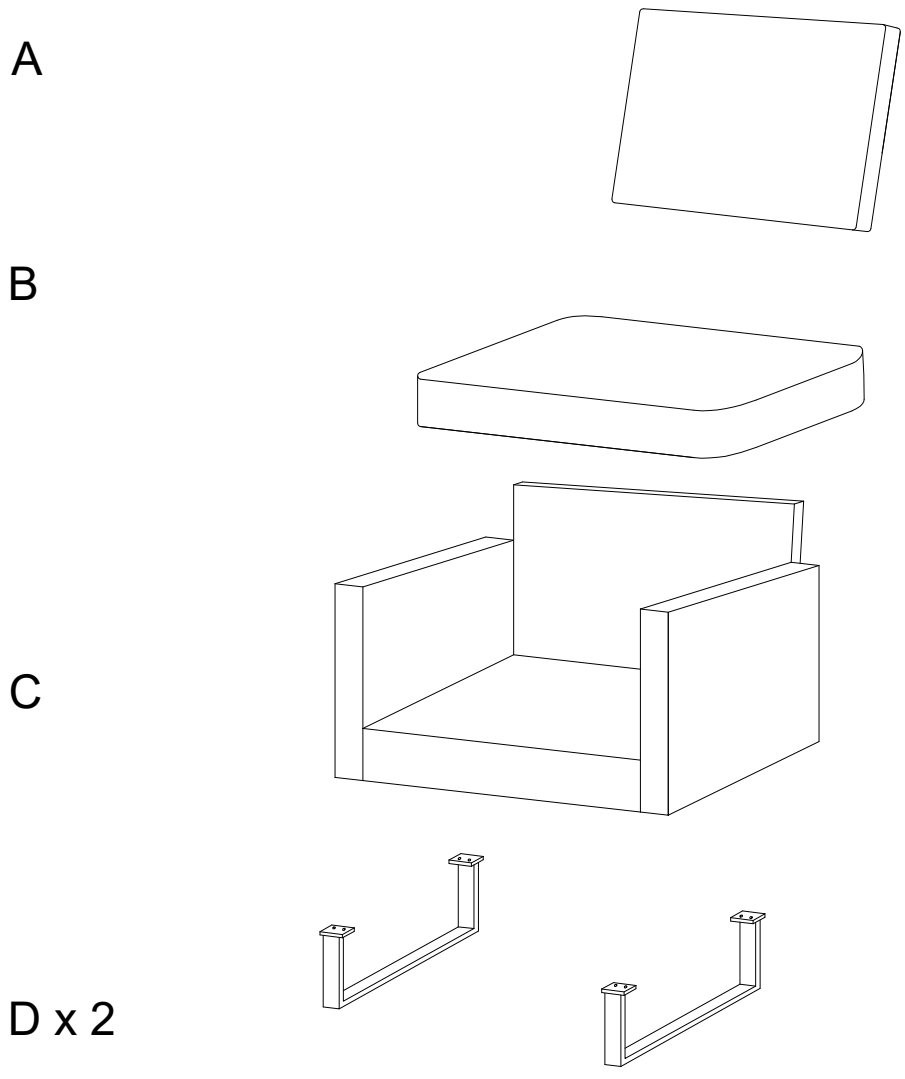
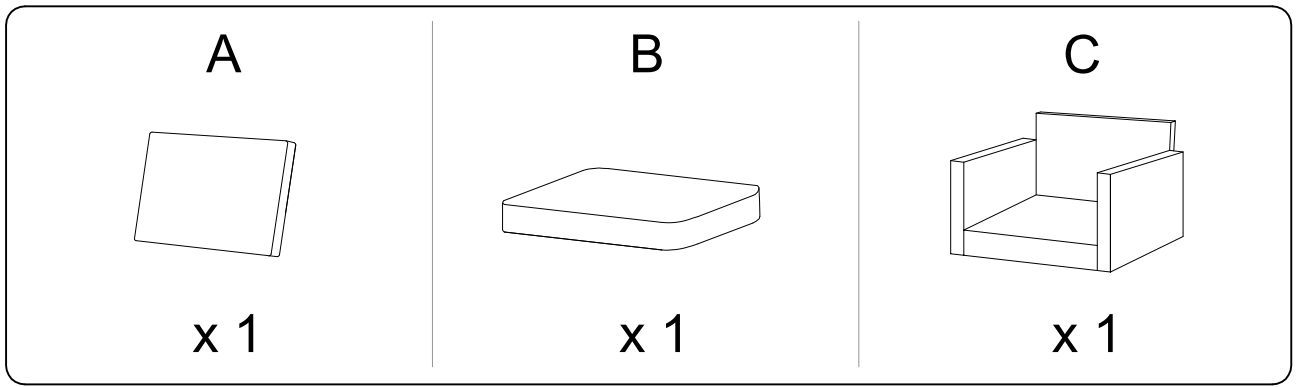
Assembly instructions for the chair, including warnings, time, and person requirements.

**Warning 1:** Do not use a power drill. Use the provided L-shaped bracket.

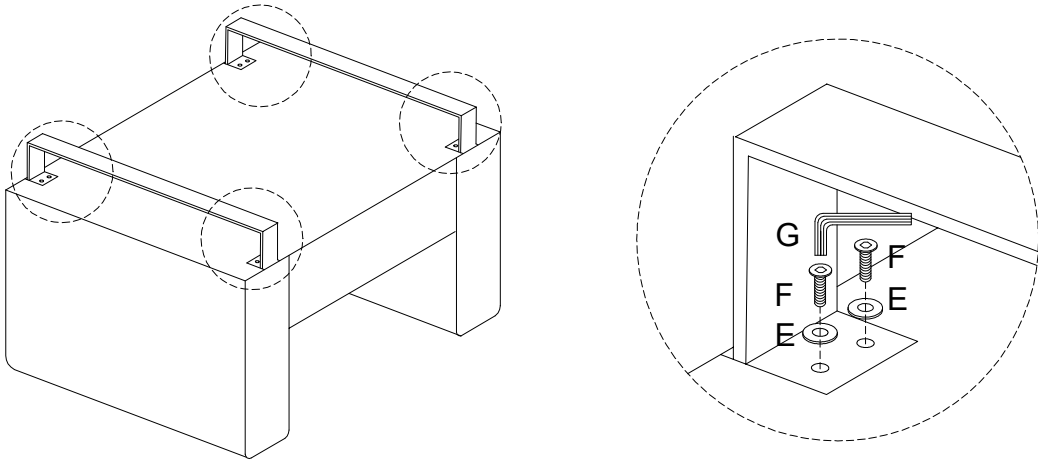
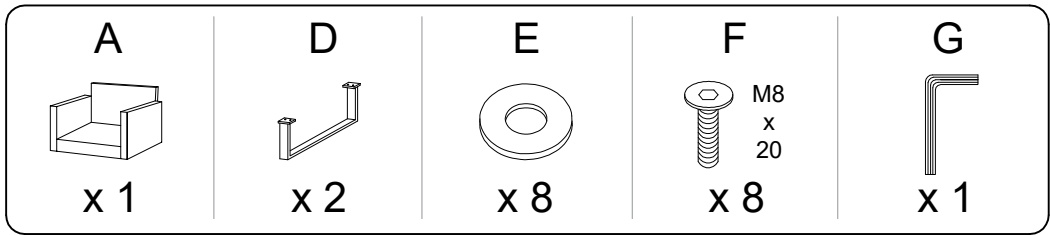
**Warning 2:** Do not use a power drill on the seat base. Use the provided rectangular base.

**Time:** 20'

**Personnel:** 1



1



2

