

ASSEMBLY INSTRUCTIONS

483-588

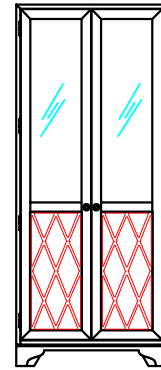


Figure 1

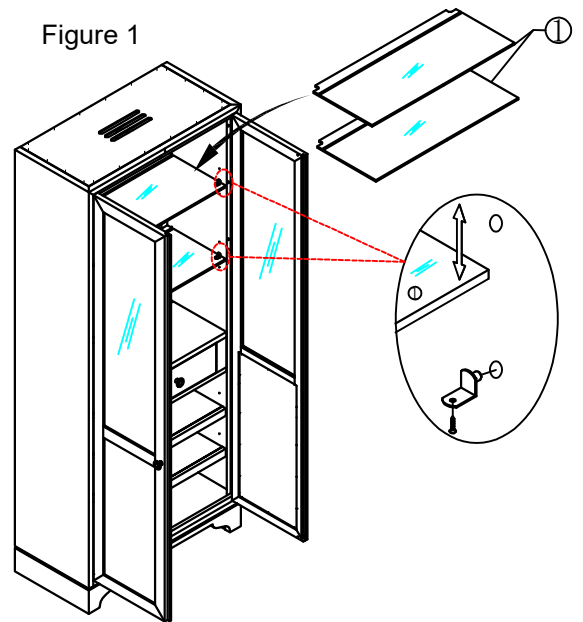


Figure 2

TOOLS REQUIRED:

None

BEFORE YOU START:

1. Check the parts against the parts list to make sure all items are present.
2. Assemble your furniture on a soft, flat surface to avoid scratching the finish.
3. CAUTION: Do not over tighten screws, nuts or bolts during assembly.
4. Your furniture may require occasional tightening.

INSTRUCTIONS:

1. To adjust the glass shelf height, remove screws then place shelf pins in the desired level. As shown in Figure 1.
2. To level the cabinet, please adjust the levelers accordingly. As shown in Figure 2.

****Warning****

Locate furniture case close to its final location before installing feet/ legs. After installation of feet/ legs use two people to lift the case to its upright position with the provided hand hold cut-outs in the back of the case.

NOTE: USE CAUTION WHEN MOVING FURNITURE ON UNEVEN FLOORS!

